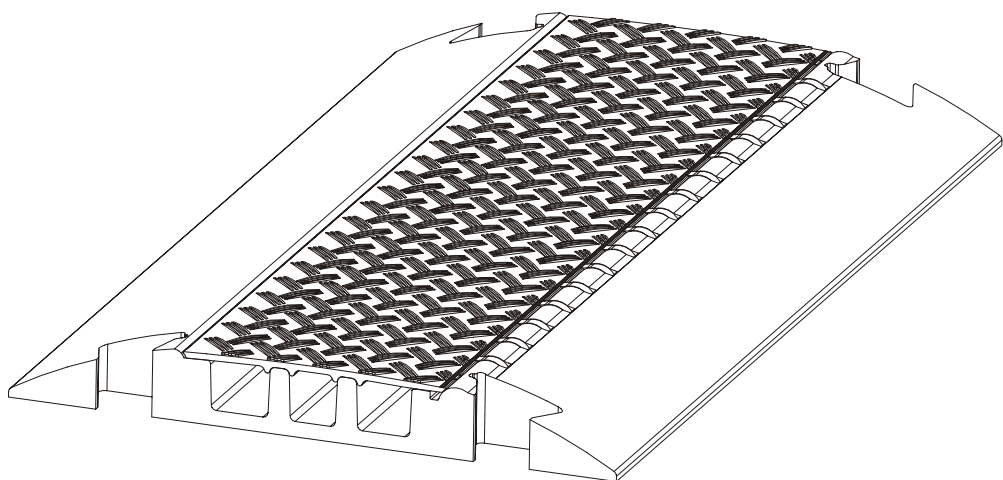


USER'S MANUAL  
BEDIENUNGSANLEITUNG  
MANUEL D'UTILISATION  
MANUAL DE USUARIO  
INSTRUKCJA OBSŁUGI  
MANUALE D'USO

**DEFENDER**<sup>®</sup>  
SERIES



**DEFENDER SERIES**  
THE INDUSTRY & EVENT STANDARD

# DEFENDER SERIES

ENGLISH

DEUTSCH

FRANCAIS

ESPAÑOL

POLSKI

ITALIANO

## DEFENDER CABLE CROSSOVERS

You have chosen the DEFENDER series and thus made the best choice when it comes to protecting your cables. Although using our cable crossovers is a simple and logical matter, here are a few helpful tips on handling and using them.

PATENTED WITH SELF-CLEANING HINGE (EU Patent No.: EP1366550) MADE IN GERMANY!

All of our crossovers are made of extremely sturdy, nonbreakable TPU (thermoplastic polyurethane). If necessary, the crossovers can be cleaned without trouble, even using a steam jet cleaner. In order to ensure trouble-free functioning, however, the hinge area and the fastener should always be kept clean. Lubricate the hinge and fastener lightly as needed. For this, we recommend using a commercially available Teflon or silicone spray. Wipe off excess lubricant after application to avoid any risk of slipping.

## USE AND LOAD BEARING CAPACITY

Please note that additional markings / hazard warnings or even permits may be required when using cable crossovers on public thoroughfares, walkways, etc. To find the right cable crossover for your respective requirements, please see the attached tables for the load bearing capacity.

## PREREQUISITE

Please always remember that the respectively specified safe load is for use on a firm, level surface. Load bearing capacity may be greatly reduced on uneven or soft ground. In such cases, you should conduct appropriate load tests before using the crossover.

## FIRE PREVENTION

All DEFENDER cable crossovers are made of polyurethane. They have a B2 fire resistance rating (also available with a B1 rating – difficult to ignite – in compliance with DIN4102) and are resistant to oil, acids & petrol. The operating temperature range is approx. -40°C to +70°C. The Shore A hardness range is 88 ± 4.

## OPERATION

Each cable crossover has connectors and corresponding sockets that enable you to connect cable crossovers in the same series endlessly with one another. We also call this a line. Generally, lines are stable enough to be walked on or driven over without any additional precautions. If the is subject to higher demands occasionally, so that there is a risk of the line shifting during use, we recommend additionally anchoring the line to the ground or floor. The Defender III incorporates special holes for anchoring in the dog bone connectors. With all other crossovers, a hole, through which you can then insert an anchor, should be drilled directly inside a cable channel. After installation (except for the Compact and Office models), the lids can be opened by pulling them upward. They snap into the end position automatically and stay open until you close them again, thus making it easier to run your cables. After running your cables, close the lid. When doing so, make certain that the lid closure snaps into the base securely. This is the only way to ensure that the lid stays closed under load.

## PURPOSE

All cable crossovers in the DEFENDER series are designed to protect cables of all types against damage. In order to fulfil maximum operational requirements, all of our cable crossovers comply with the standards of the Low Voltage Directive.

## RESPONSIBILITY

Each user is responsible for the manner of installation and selection of cables to be protected with the help of the DEFENDER cable crossovers. We warrant the load bearing capacity of our crossovers only when they are used properly.

# DEFENDER SERIES

ENGLISH

DEUTSCH

FRANCAIS

ESPAÑOL

POLSKI

ITALIANO

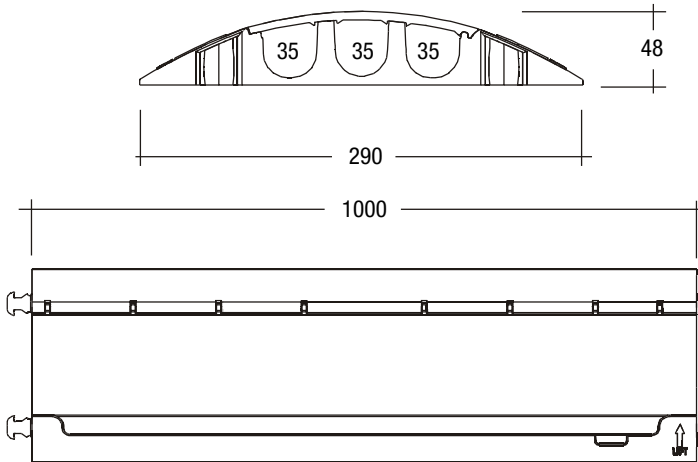
## DEFENDER MINI

Small but sturdy. Light, professional and universally useable. The new DEFENDER Mini meets all expectations when it comes to professional cable protection and expands the DEFENDER series with a compact, very light (only 5 kg!) cable crossover capable of supporting vehicle traffic in the familiar black/yellow design. Like all of the DEFENDER cable crossovers, the DEFENDER Mini is resistant to oil, acids & petrol and has a patented self-cleaning hinged closure.

<b>MINI</b>	1000 x 290 x 48 mm	Weight: 5 Kg
Safe load: ca. 2t on a surface area of 20 x 20 cm. Not useable in road traffic. Nevertheless, cars can drive over the crossover slowly.		
Range of application: Trade fairs / walkways / marketplaces / Christmas markets / workshops / warehouses / shopping centres / department stores / etc.		



## ENGINEERING DRAWING



## Accessories:



**DEFENDER MINI** End ramp male



**DEFENDER MINI** End ramp female

# DEFENDER SERIES

ENGLISH

DEUTSCH

FRANCAIS

ESPAÑOL

POLSKI

ITALIANO

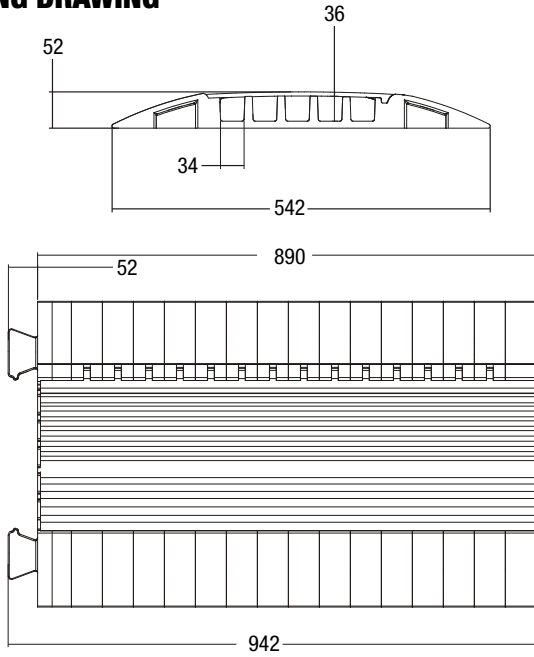
## DEFENDER MIDI

The Defender Midi was developed as a solution for applications between the Defender Compact and Defender III. This cable crossover features five cable channels, moulded connectors and a lower height and lighter weight than the Defender III. The load bearing capacity is similar to that of the Defender III!

<b>MIDI</b>	890 x 542 x 54 mm	Weight: 11.5 Kg
Safe load: ca. 5t on a surface area of 20 x 20 cm. Generally, any street-legal vehicle can drive over this crossover.		
Range of application: As with MINI, but also construction sites, streets, etc.		



## ENGINEERING DRAWING



## Accessories:



**DEFENDER MIDI 45° curve**



**DEFENDER MIDI End ramp**

ENGLISH

DEUTSCH

FRANCAIS

ESPAÑOL

POLSKI

ITALIANO

# DEFENDER SERIES

ENGLISH

DEUTSCH

FRANCAIS

ESPAÑOL

POLSKI

ITALIANO

## DEFENDER COMPACT

The affordable variant of the Defender III system. The arrangement of supports moulded into the bottom permits the Defender Compact to be laid over numerous cables, supporting the weight of crossing vehicles. Black polyurethane construction with a ribbed non-slip surface. The ultimate enhancement for heavy loads: The unique Defender Compact base with a weight of 3.5 kg is attached to the Defender Compact cable crossover to form a single unit. Thus reinforced, the Defender Compact cable crossover can withstand even high loads. Even forklifts and lifting trucks can now drive over this crossover without problems. Five cable channels with a diameter of 22 mm each provide ample space for many applications. If multiple DEFENDER Compact cable crossovers with a base are assembled in a line, the row now remains flat as stable row even when driven over by a car.

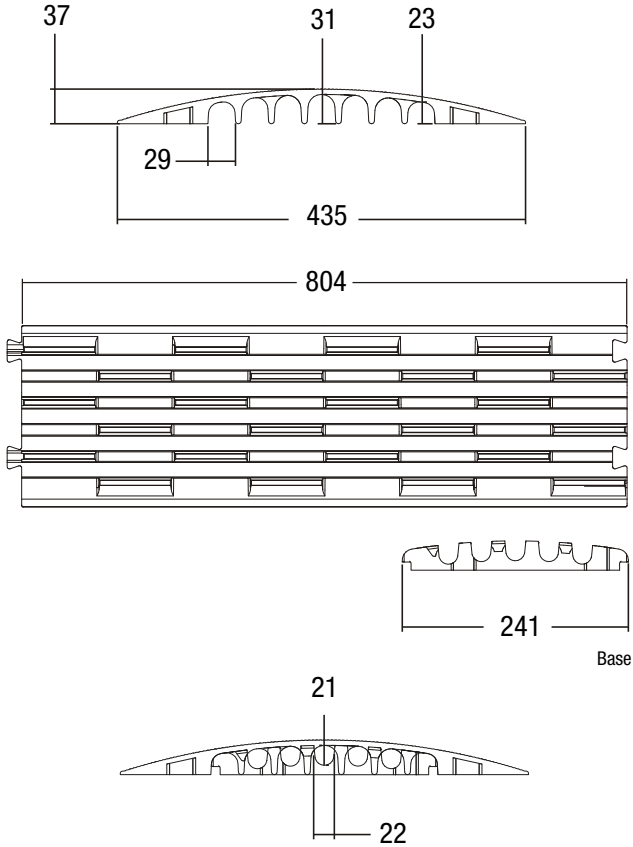
This simple cable protector is a so-called "drop over" crossover. First you run your cables and then cover them with the COMPACT. If you have chosen the COMPACT with BASE, first assemble the BASE into a fixed LINE. Now run your cables on the base before covering both with the COMPACT. The bars of the COMPACT engage in the BASE and connect both to form a fixed unit. You can make the line more rigid by laying the COMPACT so that it is offset in relation to the BASE.

<b>COMPACT</b>	805 x 435 x 37 mm	Weight: 3.5 Kg
Safe load: Pedestrians, bicycle		
Range of application: Mainly in halls, at trade fairs, etc.		





## ENGINEERING DRAWING



### Accessories:



**DEFENDER COMPACT** Base

ENGLISH

DEUTSCH

FRANCAIS

ESPAÑOL

POLSKI

ITALIANO

# DEFENDER SERIES

ENGLISH

DEUTSCH

FRANCAIS

ESPAÑOL

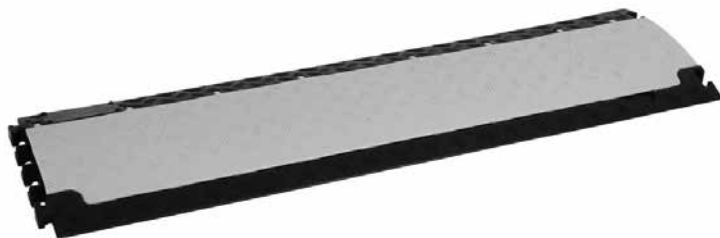
POLSKI

ITALIANO

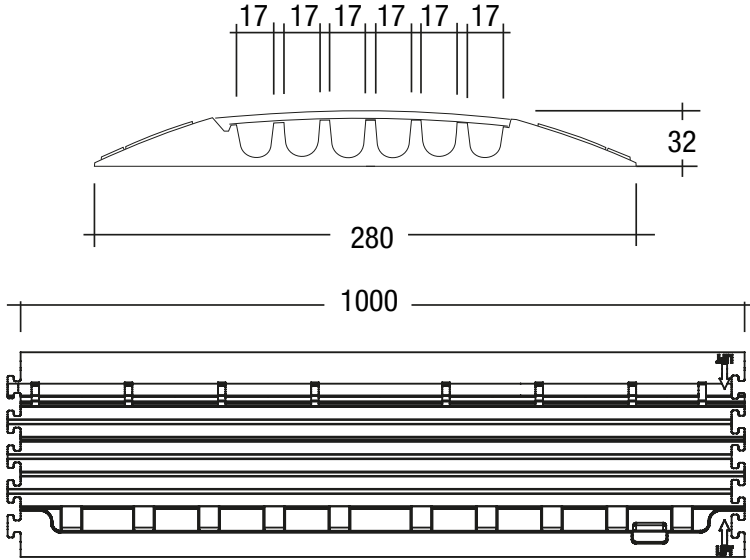
## DEFENDER NANO

The smallest unit, with great potential. Light, professional, wheelchair compatible and universally useable. With its six channels, the DEFENDER NANO meets all expectations for professional cable protection in a minimum of space. Thanks to the addition of this compact, extremely light (only approx. 4 kg!) cable crossover that can be driven on in the familiar black/yellow design, the compact segment of the series is now complete. Like all of the DEFENDER cable crossovers, the DEFENDER NANO is resistant to oil, acids & petrol and has a patented self-cleaning hinged closure.

<b>NANO</b>	1000 x 280 x 32 mm	Weight: 4.47 Kg
Safe load: ca. 2t on a surface area of 20 x 20 cm. Compatible with lifting trucks. Not useable in road traffic. Nevertheless, cars can drive over the crossover slowly.		
Range of application: Trade fairs / walkways / marketplaces / Christmas markets / workshops / warehouses / shopping centres / department stores / etc.		



## ENGINEERING DRAWING



## Accessories:



**DEFENDER NANO** End ramp



**DEFENDER NANO** End ramp

ENGLISH

DEUTSCH

FRANCAIS

ESPAÑOL

POLSKI

ITALIANO

# DEFENDER SERIES

ENGLISH

DEUTSCH

FRANCAIS

ESPAÑOL

POLSKI

ITALIANO

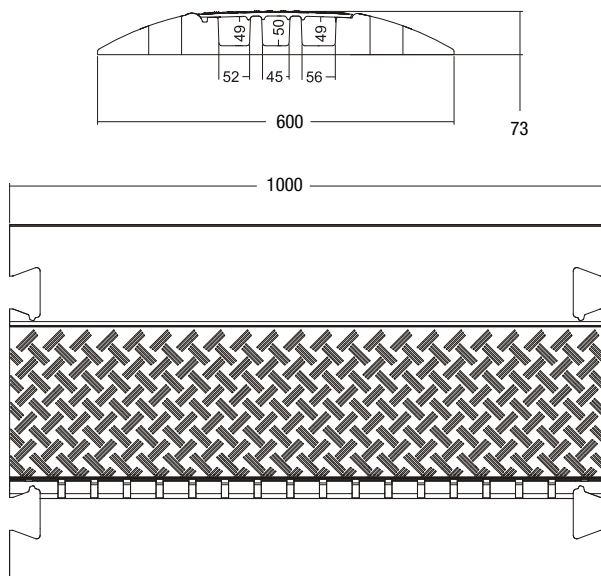
## DEFENDER III

Our top seller. Black polyurethane construction with textured non-slip surface and highly visible yellow polyethylene lid and three cable channels. The crossovers can be joined together by connector plugs available individually. Each crossover comes with one pair of connector plugs. The new lid with patented hinge (EU Patent No.: EP1366550) now remains open while cables are laid. The integral zipper fastener provides improved protection from dirt and/or tearing off of the lid in comparison with conventional hook-and-eye fastener systems. A complete range of accessories expands the Defender III into a flexible system for protecting expensive cables and multicores.

<b>DEFENDER III</b>	1000 x 600 x 73 mm	Weight: 22 Kg
Safe load: ca. 5t on a surface area of 20 x 20 cm. Generally, any street-legal vehicle can drive over this crossover. Also still permitted by road traffic regulations in terms of height. High stability even in the connected line.		
Range of application: As for MIDI and MINI, but for larger cables.		



## ENGINEERING DRAWING



### Accessories:



**DEFENDER III** Lid fastening bolts



**DEFENDER III** Connecting plugs



**DEFENDER III** 45° curve



**DEFENDER III** End ramp

# DEFENDER SERIES

ENGLISH

DEUTSCH

FRANCAIS

ESPAÑOL

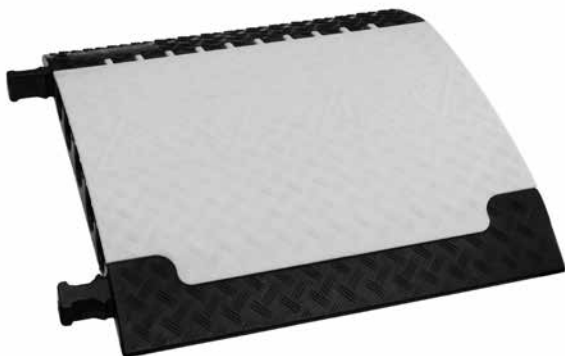
POLSKI

ITALIANO

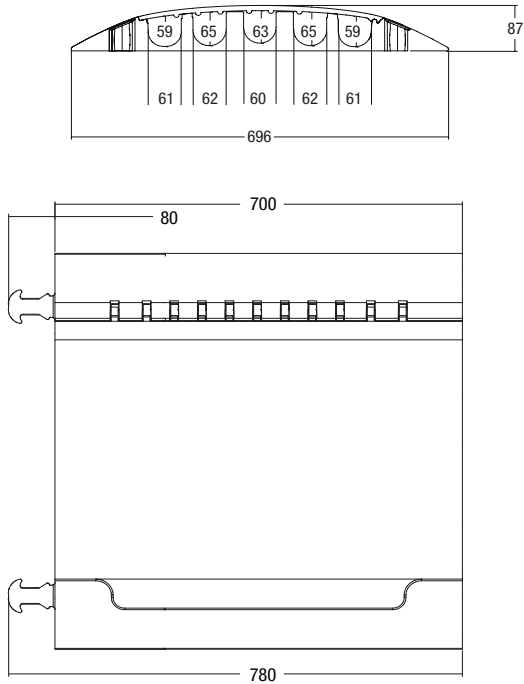
## DEFENDER XXL

We developed our new flagship of the Defender series in cooperation with the industry and renowned rental companies. Five oversized cable channels – three of which are suitable for C-tube hoses as used by fire brigades (Ø 62 mm). Also provides optimum protection for power cables. Surpasses even the Defender III module in terms of load bearing capacity.

<b>XXL</b>	700 x 696 x 87 mm	Weight: 21.4 Kg
Safe load: ca. 5t on a surface area of 20 x 20 cm. Generally, any street-legal vehicle with sufficient ground clearance can drive over this crossover. High stability even in the connected line. Suitable for C-tube hoses.		
Range of application: As for the DIII - however, please ensure compliance with road traffic regulations (higher than 75 mm)		



## ENGINEERING DRAWING



### Accessories:



**DEFENDER XXL** End ramp

ENGLISH

DEUTSCH

FRANCAIS

ESPAÑOL

POLSKI

ITALIANO

# DEFENDER SERIES

ENGLISH

DEUTSCH

FRANCAIS

ESPAÑOL

POLSKI

ITALIANO

## DEFENDER ULTRA-L

This cable crossover was developed in cooperation with suppliers for major events. This heavy-duty crossover features two oversized cable / hose channels for lines up to 120 mm (e.g., 2 large fire hoses), fragile connections and/or connector housings not exceeding 100 mm. Please observe your national road traffic regulations for use in public road traffic.

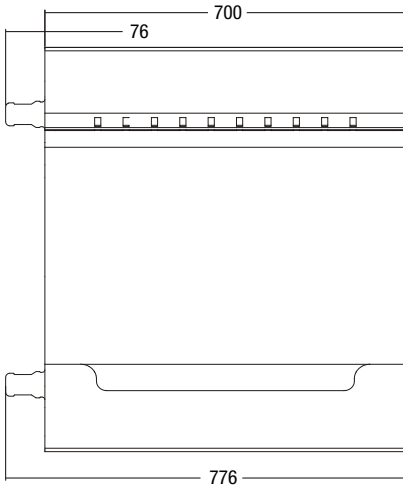
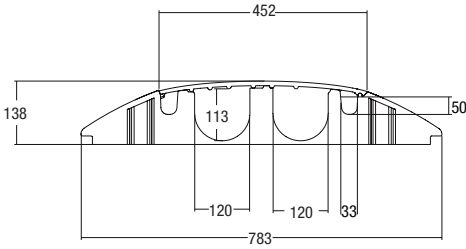
<b>ULTRA L</b> <b>ULTRA L V2</b>	700 x 783 x 139 mm 700 x 766 x 120 mm	Weight: 28,3 Kg
Safe load: ca. 5t on a surface area of 20 x 20 cm. Generally, any street-legal vehicle with sufficient ground clearance can drive over this crossover. High stability even in the connected line.		
Range of application: As with Defender XXL, but also construction sites, streets, etc. However, please ensure compliance with road traffic regulations (higher than 75 mm)		



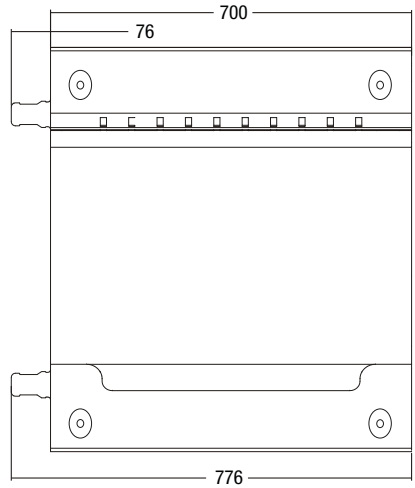
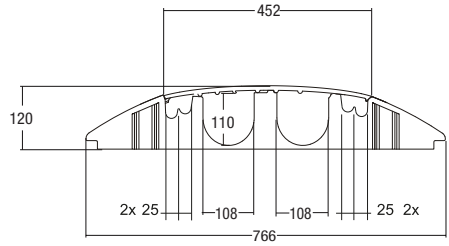


## ENGINEERING DRAWING

**DEFENDER ULTRA-L (85600)**



**DEFENDER ULTRA-L V2 (85601)**



ENGLISH

DEUTSCH

FRANCAIS

ESPAÑOL

POLSKI

ITALIANO

# DEFENDER SERIES

ENGLISH

DEUTSCH

FRANCAIS

ESPAÑOL

POLSKI

ITALIANO

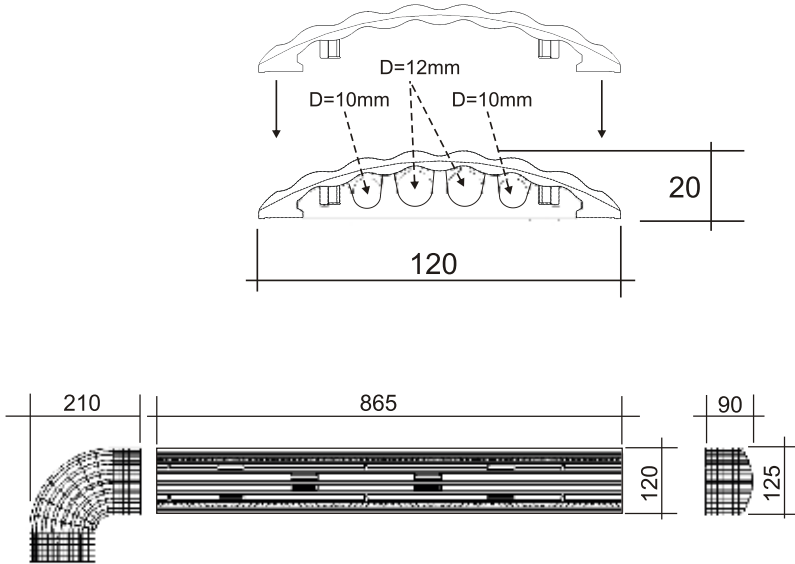
## DEFENDER OFFICE

The 4-channel Defender Office meets all requirements and guidelines (pursuant to Sec. 3 A1 of the German Work Safety Regulations) for professional cable protection, whether in offices, in your conference room or at your trade fair booth. You can adapt the length of the cable crossover and the 90° curve to your individual needs at any time. Like the COMPACT with BASE, this cable protector consists of two parts. Unlike all other crossovers, however, this solution does not have any connectors. In order to run a fixed line, the lid must be attached with an offset of approx. 10 cm in relation to the base. In this manner, the lid functions as a connector. The bases and lids can be shortened individually in increments of 10 mm. Both parts are marked with corresponding lines. Please follow these markings to ensure trouble-free functioning.

<b>OFFICE</b>	870 x 110 x 20 mm	Weight: 1.5 Kg
Safe load: ca. 1t on a surface area of 20 x 20 cm. Office crossover - can, however, also be driven over by vehicles.		
Range of application: Conceivably for all applications, but not very stable in a line, thus preferred applications are in offices, at trade fairs, etc.		



## ENGINEERING DRAWING



### Accessories:



**DEFENDER OFFICE** 90° curve



**DEFENDER OFFICE** End ramp

ENGLISH

DEUTSCH

FRANCAIS

ESPAÑOL

POLSKI

ITALIANO

# DEFENDER SERIES

ENGLISH

DEUTSCH

FRANCAIS

ESPAÑOL

POLSKI

ITALIANO

## LIMITED WARRANTY

This warranty extends to the Defender branded product you purchased from Adam Hall. The statutory warranty rights against the vendor shall not be affected by this warranty. Rather, this warranty gives you additional independent claims against Adam Hall.

With this warranty, Adam Hall ensures that products you have purchased from Adam Hall or Adam Hall partners, under normal use, are free of defects in material or workmanship for a period of 5 years from the date of purchase. The warranty period begins on the date of purchase. In order to assert a claim for warranty service, the proof of date of purchase is provided by the receipt bearing the date of purchase or the date of purchase on the delivery note. You are entitled to warranty service under the conditions and provisions set out in this document, if a repair within the warranty period is required.

This warranty applies only to the original purchaser of the products supplied by Adam Hall and is not transferable to any person to whom the property is transferred by the original purchaser.

Within the warranty period, the defective parts or the product from Adam Hall will be repaired or replaced. Under the terms of this warranty, all the replaced or removed components become the property of Adam Hall.

In the unlikely event that a product acquired from Adam Hall, repeatedly exhibits a defect, Adam Hall may decide, at its discretion, to replace this product with a comparable product of at least the same performance.

Adam Hall does not guarantee that the operation of this product will be uninterrupted or error-free. Adam Hall accepts no responsibility for any damage due to incorrect compliance with the instructions received in the delivery.

This warranty does not extend to:

- wearing parts (eg battery, tubes).
  - devices that have had their serial number removed or damaged, or failed as a result of an accident
  - inappropriate or abusive use or other external causes
  - devices that were not used in accordance with the operating parameters defined in the user documentation shipped with the product
  - devices that have been repaired using parts not made or distributed by Adam Hall
  - devices that have been serviced, modified or repaired by someone other than Adam Hall or an authorised service partner.
- These terms and conditions constitute the complete and exclusive warranty agreement between you and Adam Hall regarding the Adam Hall branded product you have purchased.

This warranty is valid only within Europe. Outside of Europe please contact our official distributors.

## LIMITATION OF LIABILITY

If your Adam Hall branded hardware product fails to work as warranted above, your sole and exclusive remedy shall be repair or replacement. Adam Halls' maximum liability under this limited warranty is expressly limited to the lesser of the price you have paid for the product or the cost of repair or replacement of any hardware components that malfunction in conditions of normal use.

Adam Hall is not liable for any damages caused by the product or the failure of the product, including any lost profits or savings or special, incidental, or consequential damages. Adam Hall is not liable for any claim made by a third party or made by you for a third party.

This limitation of liability applies whether damages are sought, or claims are made, under this Limited Warranty or as a tort claim (including negligence and strict product liability), a contract claim, or any other claim. This limitation of liability cannot be waived or amended by any person. This limitation of liability will be effective even if you have advised Adam Hall of an authorized representative of Adam Hall of the possibility of any such damages. This limitation of liability however, will not apply to claims for personal injury.

This Limited Warranty gives you specific legal rights. You may also have other rights that may vary from state to state or from country to country. You are advised to consult applicable state or country laws for a full determination of your rights.

## REQUESTING WARRANTY-SERVICE

To request warranty service for the product, contact Adam Hall or the Adam Hall authorized reseller from which you purchased the product.

## DEFENDER KABELBRÜCKEN

Sie haben sich für die DEFENDER-Serie entschieden und somit die beste Wahl zum Schutz Ihrer Leitungen getroffen. Trotz der einfachen und logischen Verwendung unserer Kabelbrücken, hier noch ein paar nützliche Informationen zur Handhabung und Verwendung.

PATENTIERT MIT SELBSTREINIGENDEM SCHARNIER (EU Patent No.: EP1366550) MADE IN GERMANY!

Alle unsere Brücken werden aus einem sehr stabilen und reißfestem TPU-Kunststoff (Thermoplastisches Polyurethan) gefertigt. Bei Bedarf können die Brücken ohne Probleme, gerne auch unter Zuhilfenahme eines Dampfstrahlreinigers, gesäubert werden. Um jedoch immer eine einwandfreie Funktion zu gewährleisten, sollten der Scharnierbereich sowie der Verschluss immer sauber gehalten werden. Bei Bedarf Scharnier und Verschluss leicht schmieren. Hierzu empfehlen wir Ihnen ein handelsübliches Teflon- oder Silikon-Spray. Überschüssiges Schmiermittel nach der Anwendung abreiben, um einer eventuellen Rutschgefahr vorzubeugen.

## ANWENDUNG UND BELASTBARKEIT

Bitte beachten Sie, dass beim Einsatz von Kabelbrücken auf öffentlichen Straßen, Gehwegen etc. zusätzliche Kennzeichnungen / Gefahrenhinweise oder auch Genehmigungen erforderlich sein können. Um die jeweils richtige Kabelbrücke für ihren Bedarf zu wählen, entnehmen Sie die Belastbarkeit den beigefügten Tabellen.

## VORRAUSSETZUNG

Bitte achten Sie immer darauf, dass die jeweils angegebene Belastbarkeit nur auf festem und ebenem Grund erreicht wird. Bei unebenen oder gar weichen Untergründen kann die Belastbarkeit stark abnehmen, hier sollten Sie entsprechende Belastungstests vor Inbetriebnahme durchführen.

## BRANDSCHUTZ

Alle DEFENDER Kabelbrücken sind aus Polyurethan in der Brandschutzklasse B2 (erhältlich auch als B1 – schwer entflammbar nach DIN4102) und somit öl-, säure-, & benzinbeständig. Der Arbeitsbereich ist ca. -40°C bis +70°C. Der Härtebereich ist 88 Shore-A  $\pm$  4.

## BEDIENUNG

Jede Kabelbrücke verfügt über Verbinder und entsprechende Aufnahmen, über die Sie in der Lage sind, Kabelbrücken einer Baureihe endlos miteinander zu verbinden. Wir sprechen hier auch von einer Linie. Generell sind ausgelegte Linien stabil genug, um ein übergehen oder überfahren ohne weiteres zu gewährleisten. Sollte einmal die Linie erhöhten Anforderungen ausgesetzt sein, sodass die Gefahr besteht, dass sich die Linie im Einsatz verschieben könnte, empfehlen wir Ihnen, die Linie zusätzlich am Boden zu verankern. Bei der Defender III sind spezielle Bohrungen im Verbindungsknochen zur Verankerung vorgesehen.

Bei allen anderen Brücken sollte direkt innerhalb eines Kabelkanals ein Loch gebohrt werden, durch das Sie dann einen Anker einbringen können. Nach dem Verlegen (außer Compact und Office) können die Deckel durch Zug nach oben geöffnet werden. Diese rasten in der Endlage selbsttätig ein und bleiben somit bis zum gewollten Schließen eigenständig offen und erleichtern somit das Verlegen Ihrer Leitungen. Nach dem Verlegen der Leitungen schließen Sie die Deckel. Achten Sie hierbei bitte darauf, dass der Deckelverschluss fest in der Basis einrastet. Nur so ist ein ungewolltes Öffnen der Deckel bei einer Belastung zu vermeiden.

## EINSATZZWECK

Alle Kabelbrücken der DEFENDER-Serie verfolgen das Ziel, Leitungen jeglicher Art vor Beschädigungen zu schützen. Um höchste Einsatzanforderungen zu erfüllen, entsprechen unsere Kabelbrücken den Normen der Niederspannungsrichtlinie.

## VERANTWORTLICHKEIT

Jeder Anwender ist verantwortlich über die Art und Weise der Verlegung und welche Leitungen er zum Schutz mit Hilfe der DEFENDER-Kabelbrücken einsetzt. Wir gewährleisten lediglich bei sachgemäßer Anwendung die Belastbarkeit unserer Brücken.

# DEFENDER SERIES

ENGLISH

DEUTSCH

FRANCAIS

ESPAÑOL

POLSKI

ITALIANO

## DEFENDER MINI

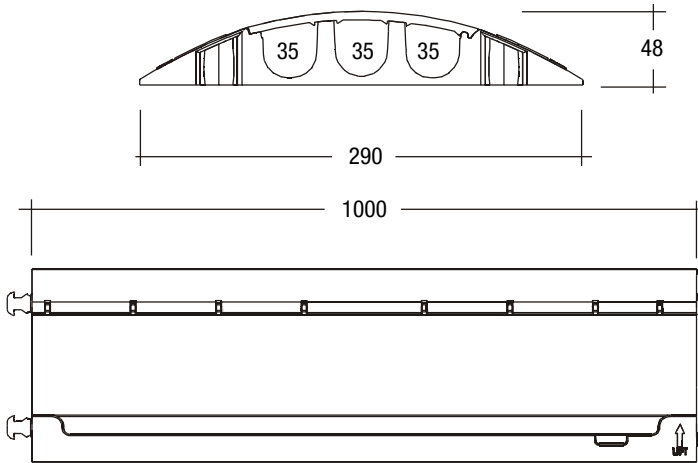
Die Kleine unter den Großen. Leicht, professionell und universell anwendbar. Die neue DEFENDER Mini erfüllt alle Erwartungen an einen professionellen Kabelschutz und erweitert die DEFENDER Serie um eine kompakte, sehr leichte (nur 5kg!), aber befahrbare Kabelbrücke im vertrauten schwarz/gelben Design. Wie alle Brücken aus der DEFENDER Serie ist auch die DEFENDER Mini öl-, säure-, & benzinbeständig und verfügt über das patentierte selbstreinigende Verschlusscharnier.

<b>MINI</b>	1000 x 290 x 48 mm	Gewicht: 5 Kg
Belastbarkeit: ca. 2t auf einer Fläche von 20 x 20 cm. Nicht im Straßenverkehr einsetzbar. Autos können trotzdem langsam die Brücke überfahren.		
Einsatzbereich: Messen / Gehwege / Marktplätze / Weihnachtsmärkte / Werkstätten / Lagerhallen / Einkaufszentren / Kaufhäuser / etc.		





## TECHNISCHE ZEICHNUNG



## Zubehör:



**DEFENDER MINI** Endstück Male



**DEFENDER MINI** Endstück Female

# DEFENDER SERIES

ENGLISH

DEUTSCH

FRANCAIS

ESPAÑOL

POLSKI

ITALIANO

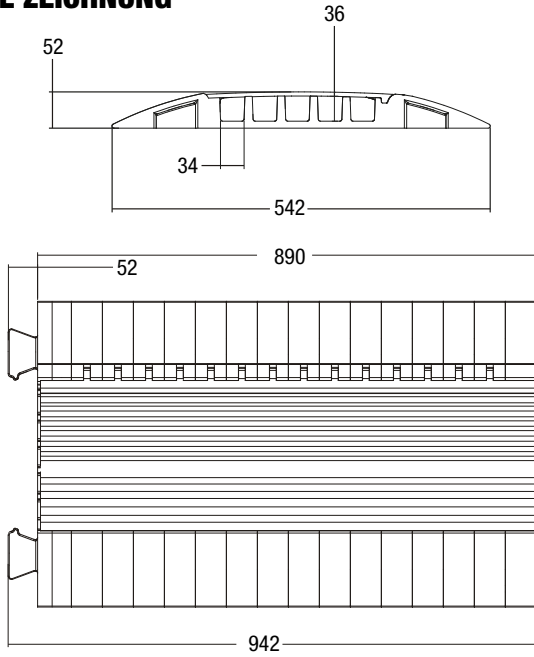
## DEFENDER MIDI

Die Defender Midi wurde als Lösung für Anwendungen zwischen der Defender Compact und Defender III entwickelt. Fünf Kanäle, eine niedriger Höhe und ein geringeres Gewicht als die Defender III, sowie angespritzte Verbinder zeichnen diese Kabelbrücke aus. Die Belastbarkeit ist ähnlich der Defender III!

<b>MIDI</b>	890 x 542 x 54 mm	Gewicht: 11,5 Kg
Belastbarkeit: ca. 5t auf einer Fläche von 20x20 cm. Generell kann jedes Fahrzeug mit Straßenzulassung diese Brücke überfahren.		
Einsatzbereich: Wie MINI jedoch auch Baustellen, Straßen, usw.		



## TECHNISCHE ZEICHNUNG



### Zubehör:



**DEFENDER MIDI 45° Biegung**



**DEFENDER MIDI Einsteckstück**

ENGLISH

DEUTSCH

FRANCAIS

ESPAÑOL

POLSKI

ITALIANO

# DEFENDER SERIES

ENGLISH

DEUTSCH

FRANCAIS

ESPAÑOL

POLSKI

ITALIANO

## DEFENDER COMPACT

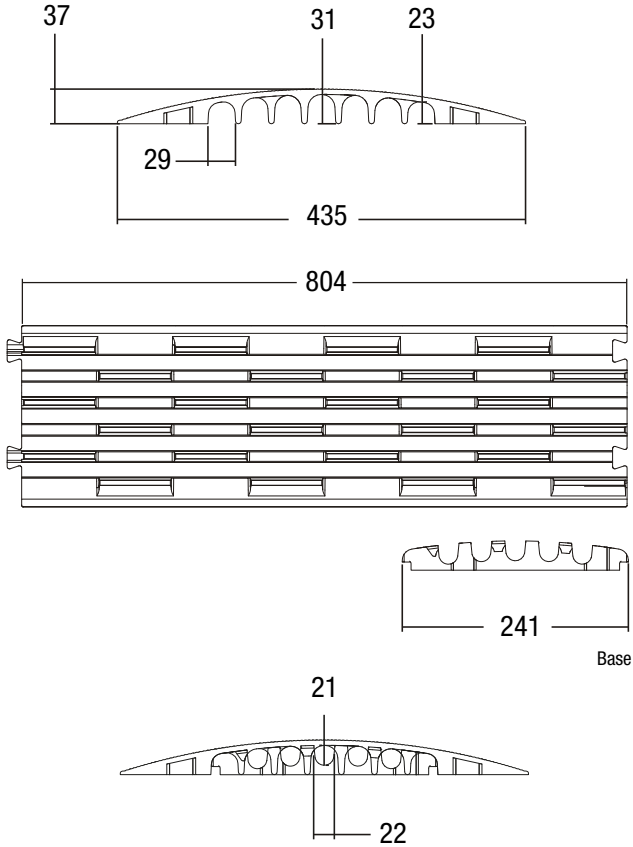
Die preisgünstige Variante zum Defender III System. In den Boden geformte Noppenreihen ermöglichen, eine Vielzahl von Kabeln unter den Defender Compact Kabelbrücke zu verlegen und damit das Gewicht von überfahrenden Fahrzeugen zu tragen. Hergestellt aus schwarzem Polyurethan mit einer gerippten Anti-Rutsch-Oberfläche. Die ultimative Erweiterung für schwere Lasten: Das einzigartige Defender Compact-Unterteil mit einem Gewicht von 3,5 kg vereinigt sich mit der Defender Compact Kabelbrücke zu einer Einheit. Die so versteifte Defender Compact Kabelbrücke hält selbst hohen Belastungen stand. Stapler und Hubwagen können diese Brücke nun ohne Probleme überfahren. Fünf Kabelkanäle mit einem Durchmesser von jeweils 22 mm bieten angemessenen Platz für viele Anwendungen. Werden mehrere DEFENDER Compact Kabelbrücken mit Unterteil in einer Linie verlegt, bleiben diese nun auch bei Überfahrten mit einem PKW als stabile Reihe liegen.

Dieser einfache Leitungsschutz ist eine sogenannte Überwurfbrücke. Hierzu verlegen Sie zuerst Ihre Leitung und decken diese anschließend mit der COMPACT ab. Sollten Sie sich für die COMPACT mit BASIS entschieden haben, verlegen Sie zuerst die BASIS zu einer festen LINIE. Nun verlegen Sie Ihre Leitungen auf der Basis, bevor Sie beides mit der COMPACT abdecken. Dabei tauchen die Stege der COMPACT in die BASIS ein und verbinden beides zu einer festen Einheit. Eine erhöhte Festigkeit der LINIE erreichen Sie, wenn Sie die COMPACT versetzt zur BASIS verlegen.

<b>COMPACT</b>	805 x 435 x 37 mm	Gewicht: 3,5 Kg
Belastbarkeit: Fußgänger, Fahrrad		
Einsatzbereich: Hauptsächlich in Hallen, bei Messen usw.		



## TECHNISCHE ZEICHNUNG



Zubehör:



**DEFENDER COMPACT** Base

ENGLISH

DEUTSCH

FRANCAIS

ESPAÑOL

POLSKI

ITALIANO

# DEFENDER SERIES

ENGLISH

DEUTSCH

FRANCAIS

ESPAÑOL

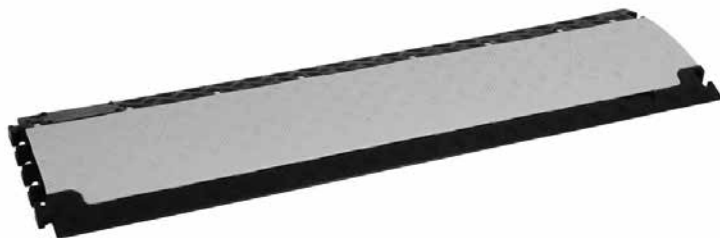
POLSKI

ITALIANO

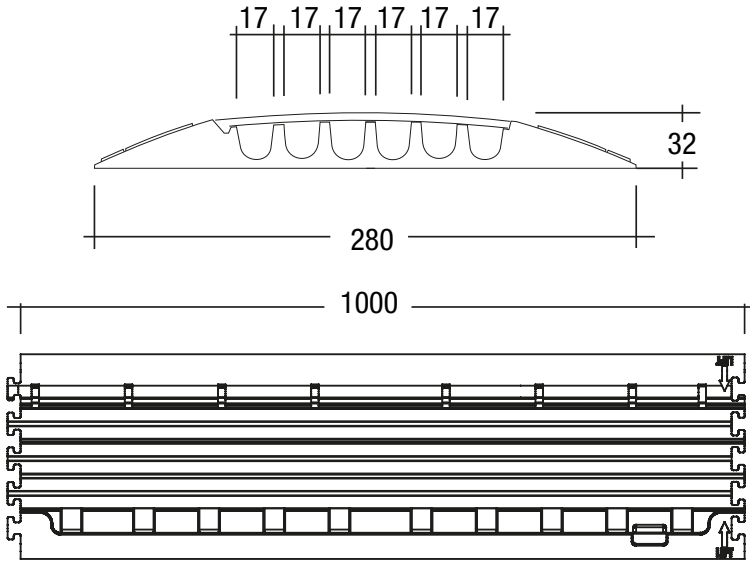
## DEFENDER NANO

Die Kleinste mit großem Potential. Leicht, professionell, rollstuhlgeeignet und universell anwendbar. Die mit sechs Kanälen ausgestattete DEFENDER NANO erfüllt alle Erwartungen an einen professionellen Kabelschutz und das auf kleinsten Raum. Die Erweiterung der DEFENDER Kabelbrücken Serie um eine kompakte, sehr leichte (nur ca. 4 kg!) und befahrbare Kabelbrücke im vertrauten schwarz/gelben Design, macht die Serie nun im Kompaktsegment komplett. Wie alle Brücken aus der DEFENDER Serie ist auch die DEFENDER NANO öl-, säure-, & benzinbeständig und verfügt über das patentierte selbstreinigende Verschlusscharnier.

<b>NANO</b>	1000 x 280 x 32 mm	Gewicht: 4,47 Kg
Belastbarkeit: ca. 2t auf einer Fläche von 20x20 cm. Hubwagengeeignet. Nicht im Straßenverkehr einsetzbar. Autos können trotzdem langsam die Brücke überfahren.		
Einsatzbereich: Messen / Gehwege / Marktplätze / Weihnachtsmärkte / Werkstätten / Lagerhallen / Einkaufszentren / Kaufhäuser / etc.		



## TECHNISCHE ZEICHNUNG



## Zubehör:



**DEFENDER NANO** Endstück



**DEFENDER NANO** Endstück

ENGLISH

DEUTSCH

FRANCAIS

ESPAÑOL

POLSKI

ITALIANO

# DEFENDER SERIES

ENGLISH

DEUTSCH

FRANCAIS

ESPAÑOL

POLSKI

ITALIANO

## DEFENDER III

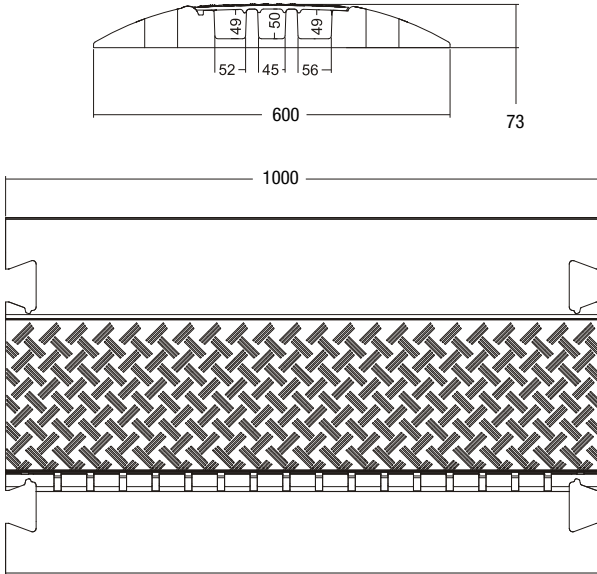
Unser Topseller. Hergestellt aus schwarzem Polyurethan mit strukturierter Anti-Rutsch-Oberfläche und einem auffälligen gelben Polyethylen Deckel, vereint Sie drei Kabelkanäle. Die Kabelbrücken lassen sich mittels einzeln erhältlicher Zapfen miteinander verbinden. Jede Kabelbrücke wird mit einem Paar Verbindungszapfen geliefert. Der neue Deckel mit patentiertem Scharnier (EU Patent No.: EP1366550) bleibt nun bei der Verlegung der Kabel offen stehen. Die integrierte Reißverschluss-Technik vereint besseren Schutz vor Dreck und/oder Abreißen des Deckels im Gegensatz zu herkömmlichen Klettverschluss-Systemen. Ein vollständiges Sortiment an Zubehörteilen erweitert die Defender III zu einem flexiblen System zum Schutz teurer Kabel und Multicores.

<b>DEFENDER III</b>	1000 x 600 x 73 mm	Gewicht: 22 Kg
Belastbarkeit: ca. 5t bei einer Fläche von 20x20 cm. Generell kann jedes Fahrzeug mit Straßenzulassung diese Brücke überfahren. Von der Höhe her auch laut Straßenverkehrsordnung noch zugelassen. Hohe Stabilität auch in der verbundenen Linie.		
Einsatzbereich: Wie MIDI und MINI, jedoch für größere Leitungen.		





## TECHNISCHE ZEICHNUNG



### Zubehör:



**DEFENDER III** Deckelbefestigungsbolzen



**DEFENDER III** Verbindungszapfen



**DEFENDER III** 45° Kurve



**DEFENDER III** Endstück

# DEFENDER SERIES

ENGLISH

DEUTSCH

FRANCAIS

ESPAÑOL

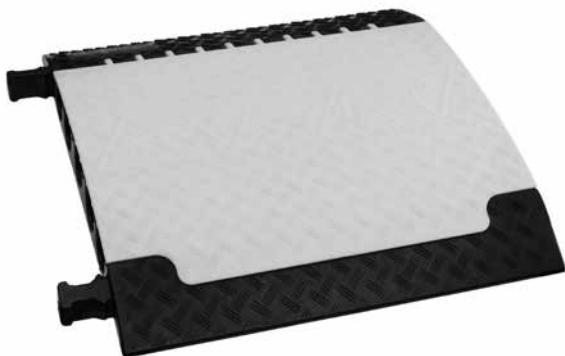
POLSKI

ITALIANO

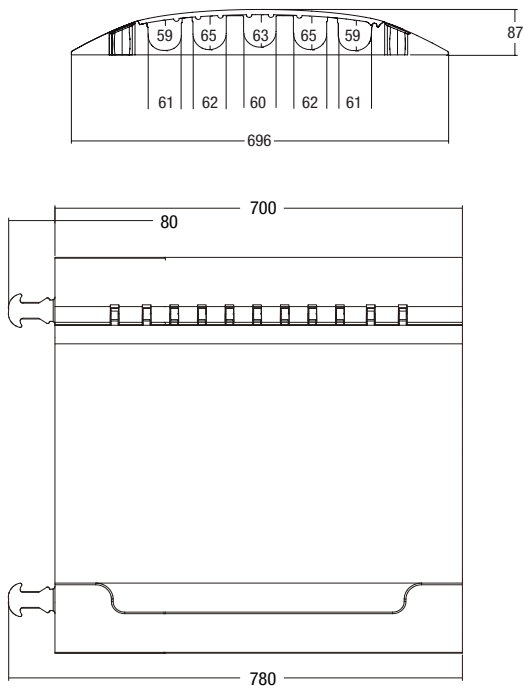
## DEFENDER XXL

Zusammen mit der Industrie und namhaften Verleihfirmen wurde unser neues Flaggschiff der Defender Serie entwickelt. Fünf übergroße Kabelkanäle – drei davon für C-Schlauchtypen der Feuerwehren geeignet (Ø 62 mm). Auch Starkstromkabel finden einen optimalen Schutz. Die Belastbarkeit übertrifft sogar noch die Defender III Module.

<b>XXL</b>	700 x 696 x 87 mm	Gewicht: 21,4 Kg
Belastbarkeit: ca. 5t auf einer Fläche von 20x20 cm. Generell kann jedes Fahrzeug mit Straßenzulassung und genügender Bodenfreiheit diese Brücke überfahren. Hohe Stabilität auch in der verbundenen Linie. C-Schlauch-geeignet.		
Einsatzbereich: Wie DIII - Hier ist jedoch die Straßenverkehrsordnung zu beachten (höher als 75 mm)		



## TECHNISCHE ZEICHNUNG



### Zubehör:



**DEFENDER XXL** Endstück

# DEFENDER SERIES

ENGLISH

DEUTSCH

FRANCAIS

ESPAÑOL

POLSKI

ITALIANO

## DEFENDER ULTRA-L

Diese Kabelbrücke wurde zusammen mit Zulieferern für Großveranstaltungen entwickelt. Hauptmerkmal dieser Schwerlastbrücke sind die beiden überdimensionalen Kabel- / Schlauchkanäle für Leitungen bis zu 120 mm (z.B. 2 x A-Schlauch), bruchempfindliche Kupplungen bzw. Steckergehäuse nicht größer als 100mm.

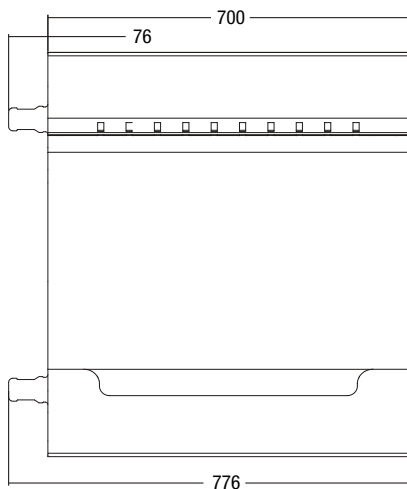
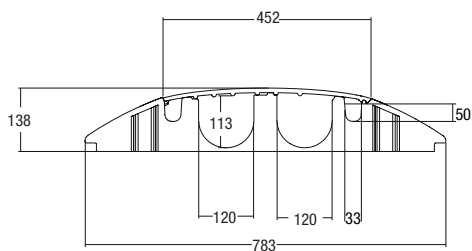
Für den Einsatz im öffentlichen Straßenverkehr beachten Sie bitte Ihre länderspezifische Straßenverkehrsordnung.

<b>ULTRA L</b>	700 x 783 x 139 mm	Gewicht: 28,3 Kg
<b>ULTRA L V2</b>	700 x 766 x 120 mm	
Belastbarkeit: ca. 5t auf einer Fläche von 20x20 cm. Generell kann jedes Fahrzeug mit Straßenzulassung und genügender Bodenfreiheit diese Brücke überfahren. Hohe Stabilität auch in der verbundenen Linie.		
Einsatzbereich: Wie Defender XXL, jedoch auch Baustellen, Straßen usw. Hier ist jedoch die Straßenverkehrsordnung zu beachten (höher als 75 mm)		

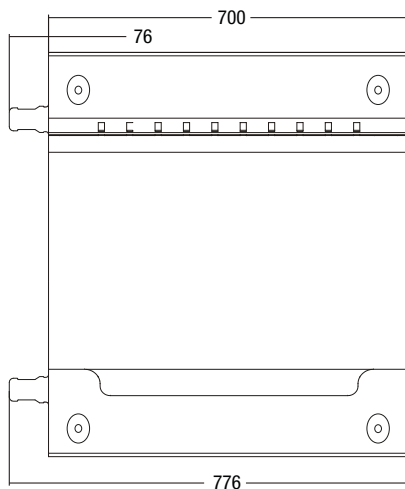
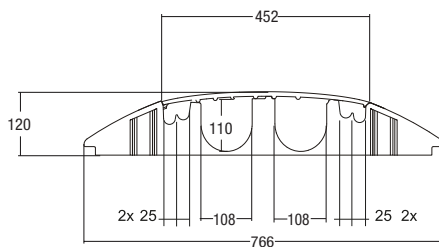


## TECHNISCHE ZEICHNUNG

**DEFENDER ULTRA-L (85600)**



**DEFENDER ULTRA-L V2 (85601)**



ENGLISH

DEUTSCH

FRANCAIS

ESPAÑOL

POLSKI

ITALIANO

# DEFENDER SERIES

ENGLISH

DEUTSCH

FRANCAIS

ESPAÑOL

POLSKI

ITALIANO

## DEFENDER OFFICE

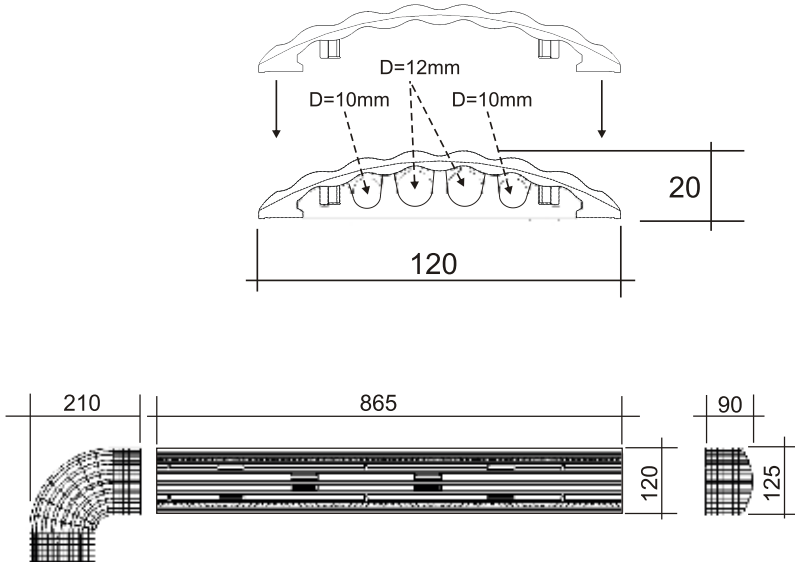
Die mit vier Kanälen ausgestattete Defender Office erfüllt alle Anforderungen sowie Richtlinien (nach § 3 A1 der ArbStättV) an einen professionellen Kabelschutz, egal ob im Büro, in Ihrem Tagungsraum, oder auf Ihrem Messestand. Die Länge der Kabelbrücke sowie der 90° Biegung können Sie jederzeit Ihren individuellen Bedürfnissen anpassen.

Wie bei der COMPACT mit BASE besteht dieser Leitungsschutz aus zwei Teilen. Im Gegensatz zu allen anderen Brücken verfügt diese Lösung jedoch über keine Verbinder. Um eine feste LINIE auszulegen, die auch bei Belastung nicht auseinander bricht, muss der Deckel ca. 10 cm versetzt zur Basis angebracht werden. Der Deckel übernimmt somit die Funktion des Verbinders. Basis und Deckel lassen sich individuell in einem Raster von 10 mm individuell kürzen. Entsprechende Markierungslinien sind auf beiden Bauteilen vorhanden. Bitte halten Sie sich an dieses Raster, damit eine einwandfreie Funktion gewährleistet ist.

<b>OFFICE</b>	870 x 110 x 20 mm	Gewicht: 1,5 Kg
Belastbarkeit: ca. 1t auf einer Fläche von 20x20 cm. Bürobrücke - Jedoch auch geeignet für die Überfahrt von Fahrzeugen.		
Bürobrücke - Jedoch auch geeignet für die Überfahrt von Fahrzeugen.		



## TECHNISCHE ZEICHNUNG



### Zubehör:



**DEFENDER OFFICE** 90° Kurve



**DEFENDER OFFICE** Endstück

# DEFENDER SERIES

ENGLISH

DEUTSCH

FRANÇAIS

ESPAÑOL

POLSKI

ITALIANO



## ZERTIFIKAT CERTIFICATE

**Zertifikatsinhaber:**  
Licensee:

Adam Hall GmbH  
Daimlerstraße 9  
61267 Neu-Anspach  
Germany

**Produkt:**  
Product:

Kabelbrücken  
cable crossovers

**Handelsname(n):**  
Trade name(s):

adam hall

**Typ(en)/Modell(e):**  
Type(s)/model(s):

DEFENDER (COMPACT, NANO, MINI, OFFICE, MIDI, D3, XXL, ULTRA)

**Produktkenndaten:**  
Product specifications:

Kabelbrücken zur Verwendung in Hallen, Marktplätzen, Werkstätten und Baustellen  
Cable bridges for use in halls, market places, workshops and building sites

**Weitere Informationen und Auflistung aller Typen in den genannten Prüfberichten**  
Further information and complete model listing in the mentioned test reports

DEKRA Testing and Certification GmbH erklärt hiermit, dass das oben genannte Produkt den unten genannten Anforderungen entspricht. Das Produkt kann mit dem abgebildeten Prüfzeichen gekennzeichnet werden. Eine Veränderung der Darstellung des Prüfzeichens ist nicht zulässig. Die Verwendung des Prüfzeichens ist ausschließlich für das genannte Produkt bis zum angegebenen Zeitpunkt erlaubt.

DEKRA Testing and Certification GmbH hereby declares that the above-mentioned product is in conformity with the below mentioned requirements. The Product may be labeled with the shown certification mark. Any modification of the layout of the certification mark is prohibited. The Use of the certification mark is only allowed for the mentioned product until the stated date of expiry.

**Prüfungslage:**  
Test requirements:

EN 61537:2007  
DIN 31000:1979

**Fertigungsstätte(n):**  
Factory location(s):

DEKRA-Test- und Zertifizierungsstelle für Kabelbrücken, Gabelstapler, etc.  
DEKRA-Test- und Zertifizierungsstelle

Einzelheiten, wie Prüfergebnisse und Komponenten, sind in folgenden Dokumenten niedergelegt:

Details like test results or components are laid down in following documents:

- **Zertifizierungsakten-Nr(n):** 5011022.11001  
Certification file no(s):
- **Typprüfungsbericht(e):** 340109600  
Type test report(s):

Das Prüfzeichen darf nur auf den in diesen Dokumenten beschriebenen Produkten angebracht werden. Nur die der Zertifizierungsstelle gemeldeten Bauteile sind zugelassen. Die Verwendung von Alternativen bedarf der vorherigen Zustimmung der Zertifizierungsstelle.

The certification mark may be applied only to products as described in these documents. Only those components are allowed that have been accepted by the certification body. The use of alternatives requires the prior approval of the certification body.

**Das Zertifikat wurde herausgegeben am:** 7. Mai 2012

This certificate was issued on:

May 7, 2012

**Es wird spätestens ungültig am:** 4. April 2016

It expires at the latest on:

April 4, 2016

**Zertifikats-Nr.:**

5011022.11001/1

Certificate no.:

DEKRA-Testing and Certification GmbH

**Nitschke**  
Zertifizierungsstelle  
Certification Office

**Prüfzeichen:**  
Certification mark:



© Integral publication of this certificate is allowed.



ENGLISH

**DEUTSCH**

FRANCAIS

ESPAÑOL

POLSKI

ITALIANO

## HERSTELLERGARANTIE

Diese Garantie erstreckt sich auf das von Ihnen erworbene Adam Hall Produkt der Marke Defender. Die gesetzlichen Gewährleistungsrechte gegenüber dem Verkäufer werden von dieser Garantie nicht berührt. Vielmehr begründet diese Garantie zusätzliche selbständige Ansprüche gegenüber Adam Hall.

Mit dieser Garantie stellt Adam Hall sicher, dass das von Ihnen bei Adam Hall oder einem Adam Hall Partner erworbene Produkt, bei normalem Gebrauch während des Zeitraums von 5 Jahren ab Kaufdatum frei von Material- oder Verarbeitungsfehlern ist. Der Garantiezeitraum beginnt mit dem Datum des Kaufs. Der Geltendmachung eines Anspruchs auf Garantieleistungen erforderliche Nachweis des Kaufdatums, erfolgt durch die mit dem Kaufdatum versehene Quittung oder den mit dem Kaufdatum versehenen Lieferschein. Sie haben Anspruch auf den Garantieservice zu den in diesem Dokument aufgeführten Bedingungen und Bestimmungen, falls eine Reparatur innerhalb des Garantiezeitraums erforderlich ist.

Diese Garantie gilt nur für den ursprünglichen Käufer des von Adam Hall vertriebenen Produkts und ist nicht an Personen übertragbar, denen vom ursprünglichen Käufer das Eigentum am Adam Hall Produkt übertragen wird. Innerhalb des Garantiezeitraums werden die fehlerhaften Komponenten oder das Produkt von Adam Hall repariert oder ersetzt. Alle im Rahmen dieser Garantie ausgetauschten bzw. entfernten Komponenten gehen in das Eigentum von Adam Hall über.

In dem unwahrscheinlichen Fall, dass bei dem von Ihnen erworbenen Adam Hall Produkt ein Fehler wiederholt auftritt, kann Adam Hall nach eigenem Ermessen entscheiden, Ihnen dieses Produkt durch ein vergleichbares Produkt mit mindestens derselben Leistung zu ersetzen.

Adam Hall übernimmt keine Garantie für einen störungs- oder fehlerfreien Betrieb dieses Produkts. Adam Hall übernimmt keine Verantwortung, für Schäden die auf eine inkorrekte Befolgung der im Lieferumfang erhaltenen Anweisungen zurückzuführen sind.

Diese Garantie erstreckt sich nicht auf:

- Verschleißteile (z.B. Akkumulator, Röhren).
- Geräte deren Seriennummer entfernt wurde oder die beschädigt oder fehlerhaft wurden als Folge eines Unfalls
- nicht sachgerechter oder missbräuchlicher Verwendung oder anderer äußerer Ursachen
- Geräte die nicht entsprechend den Betriebsparametern betrieben wurden, die in den im Lieferumfang des Produkts enthaltenen Benutzerunterlagen festgelegt sind
- Geräte die aufgrund der Verwendung nicht von Adam Hall hergestellter oder vertriebener Teile repariert wurden
- Geräte die durch jemand anderen als Adam Hall oder durch einen autorisierten Servicepartner gewartet, geändert oder repariert wurden.

Diese Bestimmungen und Bedingungen stellen die vollständige und ausschließliche Garantievereinbarung zwischen Ihnen und Adam Hall für das von Ihnen erworbene Adam Hall Produkt dar.

Diese Garantie ist nur innerhalb von Europa gültig. Außerhalb von Europa wenden Sie sich bitte an unsere offiziellen Vertriebspartner.

## HAFTUNGSBESCHRÄNKUNG

Falls an Hardware-Produkten von Adam Hall innerhalb der Garantiezeit Material- oder Verarbeitungsfehler (gemäß der Garantieerklärung oben) auftreten, besteht Ihr alleiniger und ausschließlicher Anspruch aus dieser Garantie in der Reparatur oder dem Austausch des Geräts. Die maximale Haftung der Firma Adam Hall ist entsprechend dieser Garantie ausdrücklich auf den Kaufpreis oder die Kosten für eine Reparatur oder Ersatz – und zwar den jeweils niedrigeren Betrag – der bei üblichem Gebrauch fehlerhaften Hardware-Komponenten begrenzt.

Adam Hall ist nicht haftbar für jegliche durch das Produkt oder das Versagen des Produkts verursachte Schäden, einschließlich Gewinneinbußen und unterbliebener Einsparungen sowie besonderer, indirekter oder Folgeschäden. Des Weiteren ist Adam Hall nicht haftbar gegenüber Rechtsansprüchen Dritter oder durch Sie im Namen Dritter angemeldeten Forderungen.

Diese Haftungsbeschränkung gilt unabhängig davon, ob Schäden gerichtlich verfolgt oder Schadenersatzansprüche im Rahmen dieser Garantie oder aufgrund unerlaubter Handlungen (einschließlich Fahrlässigkeit und Gefährdungshaftung) oder aufgrund vertraglicher oder sonstiger Ansprüche gestellt werden, und kann von niemandem aufgehoben oder verändert werden. Diese Haftungsbeschränkung ist auch dann gültig, wenn Sie die Firma Adam Hall oder einen autorisierten Vertreter von Adam Hall auf die Möglichkeit solcher Schäden aufmerksam gemacht haben, nicht jedoch bei Schadenersatzansprüchen in Zusammenhang mit Personenschäden.

Diese Herstellergarantie räumt Ihnen bestimmte Rechte ein; je nach Gerichtsbarkeit (Staat oder Land) stehen Ihnen möglicherweise weitere Ansprüche zu. Es ist ratsam, in solchen Fällen die entsprechenden Gesetze heranzuziehen, um Ihre Rechte umfassend zu ermitteln.

## INANSPRUCHNAHME DER GARANTIE

Wenden Sie sich im Garantiefall direkt an Adam Hall oder den von Adam Hall autorisierten Händler, bei dem Sie das Produkt erworben haben.

## EG-KONFORMITÄTserklärung

Diese Geräte entsprechen den grundlegenden Anforderungen und den weiteren Vorgaben der Richtlinien 2004/108/EC (EMC) und 2006/95/EC (LVD). Weitere Informationen finden Sie unter [www.adamhall.com](http://www.adamhall.com).

## PASSAGES DE CÂBLE DEFENDER

Vous avez choisi la série DEFENDER et donc fait le meilleur choix possible pour protéger vos câbles. Bien que l'utilisation de nos passages de câble est simple et logique, nous vous proposons ci-après quelques informations utiles quant à leur manipulation et à leur utilisation :

BREVETÉ AVEC CHARNIÈRE AUTONETTOYANTE (n° brevet UE : EP1366550) MADE IN GERMANY !

Tous nos passages de câble sont fabriqués en matière plastique TPU (polyuréthane thermoplastique) très robuste et résistant. En cas de besoin, les passages de câble peuvent également être nettoyés sans problème, en utilisant par exemple aussi un nettoyeur à jet de vapeur. Pour cependant garantir un fonctionnement impeccable à tout moment, nous vous recommandons de toujours veiller à garder la zone des charnières et de la fermeture propre. Si besoin, lubrifiez légèrement la charnière et la fermeture. Pour ce faire, nous recommandons l'utilisation d'un aérosol de téflon ou silicone. Frottez les résidus de lubrifiant après application pour prévenir tout risque de glissement.

## APPLICATION ET CHARGE ADMISE

Lors de l'utilisation des passages de câbles sur des voies publiques, des voies piétonnes etc., il peut s'avérer nécessaire d'installer des identifications / panneaux de signalisation supplémentaires ou de demander des autorisations spéciales. Pour vous aider à sélectionner le passage de câbles répondant à vos besoins, nous vous invitons à vous référer aux tableaux joints pour la charge admise.

## CONDITIONS PRÉALABLES

Veuillez prendre en compte le fait que la charge admise spécifiée admise est atteinte sur sol fixe et plan uniformément. En cas de surfaces de pose non planes ou même souples, la charge admise peut considérablement se réduire. Dans ce cas, nous vous conseillons de procéder à des tests de charge correspondants avant la mise en service.

## PROTECTION CONTRE L'INCENDIE

Tous les passages de câble DEFENDER sont en polyuréthane de la classe de résistance au feu B2 (également disponible en modèle B1 - difficilement inflammable selon DIN 4102) et résistent donc à l'huile, à l'acide et au carburant. Le niveau de température d'utilisation se situe entre -40°C et +70°C. La dureté est de 88 Shore-A± 4.

## MANIPULATION

Chaque passage de câble dispose de connecteurs et des fixations correspondantes, grâce auxquels vous pouvez relier les passages de câble entre eux sans limite de longueur en une série. L'on parle ici également de ligne. De manière générale, les lignes cheminées sont assez robustes pour résister aisément au passage de piétons ou véhicules. Si une ligne devait se trouver soumise à des exigences élevées pouvant engendrer un décalage de la ligne lors de son utilisation, nous vous recommandons de fixer cette ligne en complément au sol. Le modèle Defender III dispose de perçages spéciaux à cet effet au niveau de la partie destinée à sa connexion. Pour tous les autres passages de câble, il est nécessaire de percer un trou à l'intérieur d'un canal de câble par lequel vous pouvez ensuite faire passer un point d'ancrage au sol. Après cheminement (hors modèles Compact et Office), les couvercles peuvent être ouverts en les tirant vers le haut. Ces derniers s'enclenchent automatiquement en position finale et restent donc ouverts jusqu'à fermeture volontaire de votre part. Le cheminement de vos câbles s'en trouve ainsi facilité. Après cheminement des câbles, refermez le couvercle. Ce faisant, faites attention à bien enclencher la fermeture du couvercle dans la base. Il s'agit de la seule manière d'éviter une ouverture involontaire du couvercle lors d'une sollicitation.

## USAGE

Tous les passages de câble de la série DEFENDER ont pour objectif de protéger les câbles de tout type contre les endommagements. Pour répondre aux plus hautes exigences en termes d'utilisation, tous nos passages de câble sont conformes aux normes de la directive relative à la basse tension.

## RESPONSABILITÉ

Chaque utilisateur est responsable de la façon dont il chemine les câbles et des câbles qu'il veut protéger à l'aide des passages de câble DEFENDER. Nous garantissons uniquement la charge admise de nos passages de câble pour une utilisation conforme.

# DEFENDER SERIES

ENGLISH

DEUTSCH

FRANCAIS

ESPAÑOL

POLSKI

ITALIANO

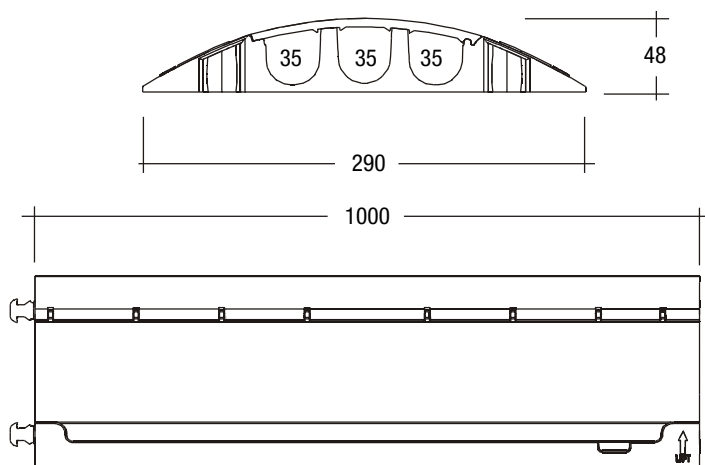
## DEFENDER MINI

Le petit parmi les grands. Léger, professionnel et universellement utilisable. Le nouveau DEFENDER Mini remplit toutes vos attentes en termes de protection de câble et enrichit la série DEFENDER d'un passage de câble compact, très léger (5 kg seulement !), mais permettant le passage de véhicules avec notre design habituel en noir et jaune. Comme tous les passages de câble de la série DEFENDER, le DEFENDER Mini résiste à l'huile, à l'acide et au carburant, il est équipé de la charnière de fermeture autonettoyante brevetée.

<b>MINI</b>	1000 x 290 x 500	Poids : 5 Kg
Charge admise : env. 2t sur une surface de 20 x 20 cm. Ne peut pas être utilisé dans la circulation routière. Les voitures peuvent cependant passer sur le passage de câbles en roulant lentement.		
Domaine d'application : salons / voies piétonnes / places de marché / marchés de Noël / ateliers / halls de stockage / centres commerciaux / grands magasins / etc.		



## PLAN TECHNIQUE



## Accessoires :



**DEFENDER MINI** Embout mâle



**DEFENDER MINI** Embout femelle

# DEFENDER SERIES

ENGLISH

DEUTSCH

FRANCAIS

ESPAÑOL

POLSKI

ITALIANO

## DEFENDER MIDI

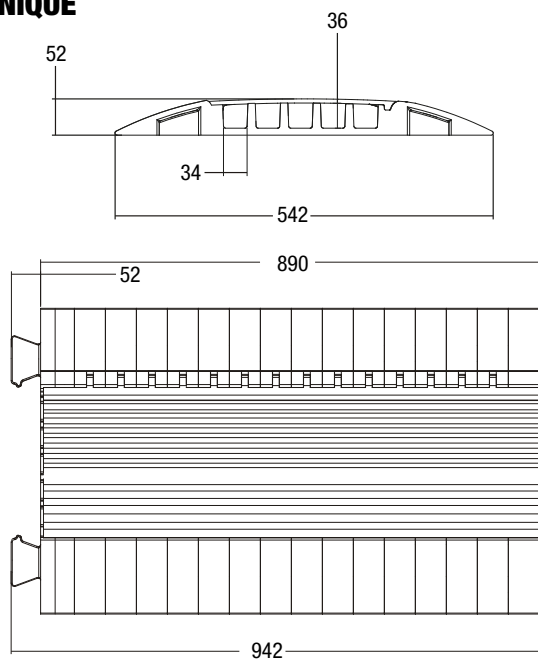
Le Defender Midi a été développé pour représenter une solution intermédiaire entre le Defender Compact et le Defender III. Cinq canaux, une hauteur moins élevée et un poids réduit par rapport au Defender III ainsi que des connecteurs revêtus distinguent ce passage de câble. La charge admise est similaire à celle du Defender III !

<b>MIDI</b>	890 x 542 x 54 mm	Poids : 11,5 Kg
Charge admise : env. 5t sur une surface de 20 x 20 cm. De manière générale, tout véhicule homologué sur route peut passer sur ce passage de câble.		
Domaine d'application : idem à celui du MINI, mais également sur les chantiers, les routes etc.		





## PLAN TECHNIQUE



## Accessoires :



**DEFENDER MIDI** Incurvation de 45°



**DEFENDER MIDI** Embout

# DEFENDER SERIES

ENGLISH

DEUTSCH

FRANCAIS

ESPAÑOL

POLSKI

ITALIANO

## DEFENDER COMPACT

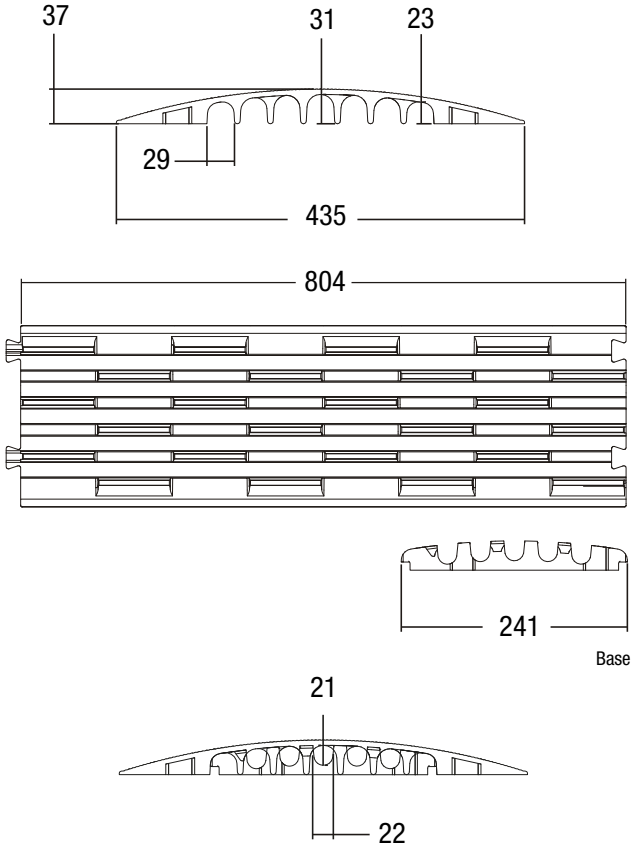
La variante plus économique du système Defender III. Des rangées de boucles moulées dans la partie au sol permettent de cheminer une multitude de câbles sous le passage de câble Defender Compact et donc d'assurer la portance du poids des véhicules passant par dessus. Fabriqué en polyuréthane noir avec une surface structurée antidérapante. L'extension ultime pour les charges lourdes : la partie inférieure unique du Defender Compact d'un poids de 3,5 kg s'assemble avec le passage de câble Defender Compact pour former une entité. Le passage de câble Defender Compact, ainsi rigidifié, résiste à de lourdes charges. Les chariots élévateurs et engins de levage peuvent maintenant passer sur ce passage de câbles sans problème. Cinq canaux de câbles d'un diamètre respectif de 22 mm proposent suffisamment d'espace pour permettre de nombreuses applications. Si plusieurs passages de câble DEFENDER Compact sont alignés, ceux-ci restent également solidement en place lors du passage d'une voiture particulière.

Cette protection simple de câbles est également appelée passage de recouvrement. Pour ce faire, il suffit de d'abord cheminer les câbles avant de les recouvrir avec le passage COMPACT. Si vous avez choisi le passage COMPACT avec BASE, vous devez d'abord cheminer la BASE pour former une ligne fixe. Passez ensuite vos câbles sur la base, avant de recouvrir le tout avec le passage COMPACT. Lors de cette opération, les parties transversières du COMPACT pénètrent dans la BASE et relient le tout pour former une entité fixe. Vous obtiendrez une résistance plus élevée de la LIGNE en cheminant le passage COMPACT avec un décalage par rapport à la BASE.

<b>COMPACT</b>	805 x 435 x 37 mm	Poids : 3,5 Kg
Charge admise : piétons, vélos		
Domaine d'application : principalement dans les hangars, lors de salons etc.		



## PLAN TECHNIQUE



Accessoires :



**DEFENDER COMPACT** Base

ENGLISH

DEUTSCH

FRANCAIS

ESPAÑOL

POLSKI

ITALIANO

# DEFENDER SERIES

ENGLISH

DEUTSCH

FRANCAIS

ESPAÑOL

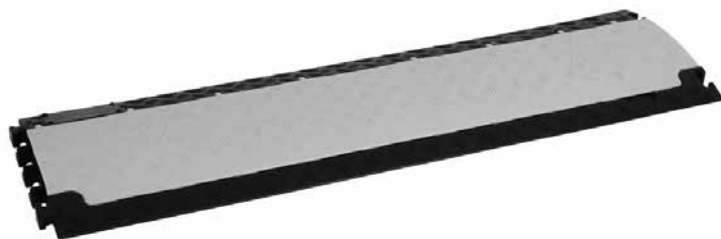
POLSKI

ITALIANO

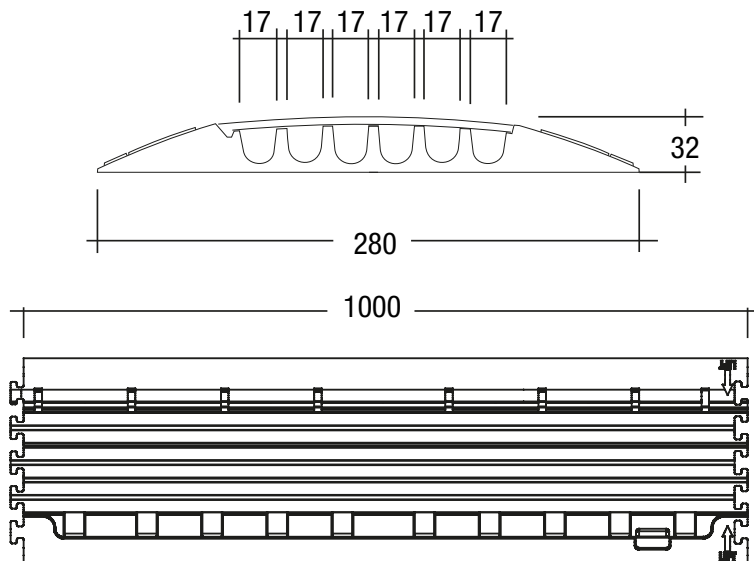
## DEFENDER NANO

Le plus petit avec le plus grand potentiel. Léger, professionnel, adapté au passage de fauteuils roulants et universellement utilisable. Le DEFENDER NANO équipé de six canaux répond à toutes les attentes en termes de protection de câbles professionnelle sur un encombrement réduit. L'extension de la série de passages de câble DEFENDER avec un passage de câble compact, très léger (seulement 4 kg. env. !), permettant le passage de véhicules au design habituel noir et jaune complète cette série dans le segment des passages de câble compacts. Comme tous les passages de câble de la série DEFENDER, le DEFENDER NANO résiste également à l'huile, l'acide et au carburant, il est équipé de la charnière de fermeture autonettoyante brevetée.

<b>NANO</b>	1000 x 280 x 32 mm	Poids : 4,47 Kg
Charge admise : env. 2t sur une surface de 20 x 20 cm. adapté au passage d'engins de levage. Ne peut pas être utilisé dans la circulation routière. Les voitures peuvent cependant passer sur le passage de câbles en roulant lentement.		
Domaine d'application : salons / voies piétonnes / places de marché / marchés de Noël / ateliers / halls de stockage / centres commerciaux / grands magasins / etc.		



## PLAN TECHNIQUE



## Accessoires :



**DEFENDER NANO** Embout



**DEFENDER NANO** Embout

# DEFENDER SERIES

ENGLISH

DEUTSCH

FRANCAIS

ESPAÑOL

POLSKI

ITALIANO

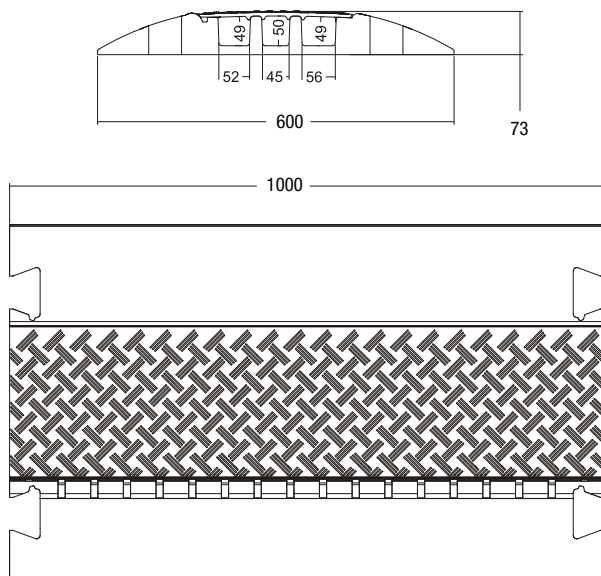
## DEFENDER III

Notre top des ventes. Fabriqué en polyuréthane noir avec une surface structurée antidérapante et un couvercle en polyéthylène jaune singulier, il regroupe trois canaux de câbles. Les passages de câble se connectent entre eux à l'aide de raccords vendus séparément. Chaque passage de câble est livré avec deux raccords de liaison. Le nouveau couvercle avec une charnière brevetée (n° de brevet UE : EP1366550) reste dorénavant ouvert lors du cheminement des câbles. La technologie de fermeture à glissière intégrée réunit une meilleure protection contre les salissures et / ou contre l'arrachage du couvercle par rapport aux systèmes à bande auto-agrippante habituels. Une gamme complète d'accessoires enrichit le Defender III pour fournir un système flexible de protection de câbles coûteux et multicore.

<b>DEFENDER III</b>	1000 x 600 x 73 mm	Poids : 22 Kg
Charge admise : env. 5t sur une surface de 20 x 20 cm. De manière générale, tout véhicule homologué sur route peut passer sur ce passage de câble. Également homologué selon la législation routière allemande en termes de hauteur. Stabilité élevée en ligne connectée également.		
Domaine d'application : idem à celui des modèles MINI et MIDI, mais pour des câbles de plus grand diamètre.		



## PLAN TECHNIQUE



### Accessoires :



**DEFENDER III** Écrou de fixation du couvercle



**DEFENDER III** Raccord de liaison



**DEFENDER III** Incurvation de 45°



**DEFENDER III** Embout

ENGLISH

DEUTSCH

FRANCAIS

ESPAÑOL

POLSKI

ITALIANO

# DEFENDER SERIES

ENGLISH

DEUTSCH

FRANCAIS

ESPAÑOL

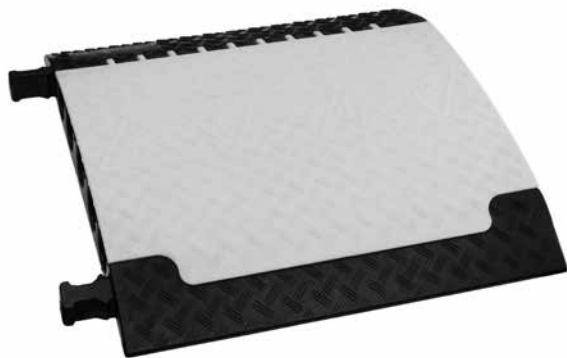
POLSKI

ITALIANO

## DEFENDER XXL

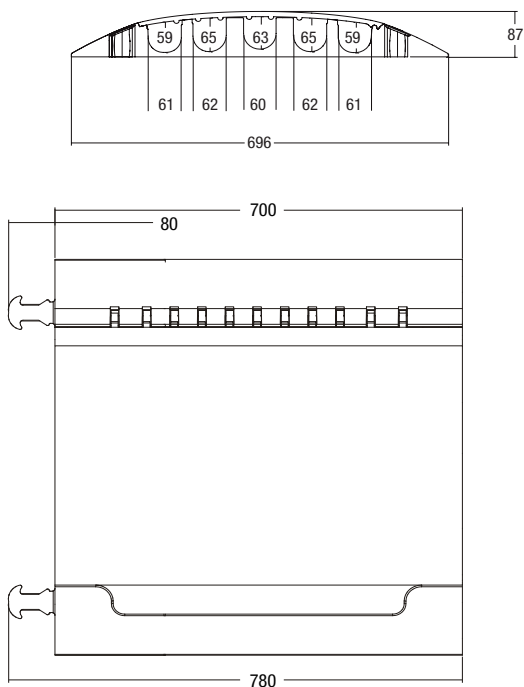
Cet élément majeur de la série DEFENDER a été développé en collaboration avec l'industrie et avec des entreprises de location de renom. Cinq canaux de câbles surdimensionnés - dont trois adaptés aux gaines de type C des pompiers (Ø 62 mm). Les câbles haute tension y trouvent également une protection optimale. La charge admise dépasse même celle des modules Defender III.

<b>XXL</b>	700 x 696 x 87 mm	Poids : 21,4 Kg
Charge admise : env. 5t sur une surface de 20 x 20 cm. De manière générale, tout véhicule homologué sur route et disposant d'une hauteur suffisante du passage de roues peut passer sur ce passage de câble. Stabilité élevée en ligne connectée également. Adapté aux gaines C.		
Domaine d'application : idem à celui du DIII - ici, il est cependant nécessaire de respecter la législation routière (hauteur supérieure à 75 mm)		





## PLAN TECHNIQUE



### Accessoires :



**DEFENDER XXL Embout**

ENGLISH

DEUTSCH

FRANCAIS

ESPAÑOL

POLSKI

ITALIANO

# DEFENDER SERIES

ENGLISH

DEUTSCH

FRANCAIS

ESPAÑOL

POLSKI

ITALIANO

## DEFENDER ULTRA-L

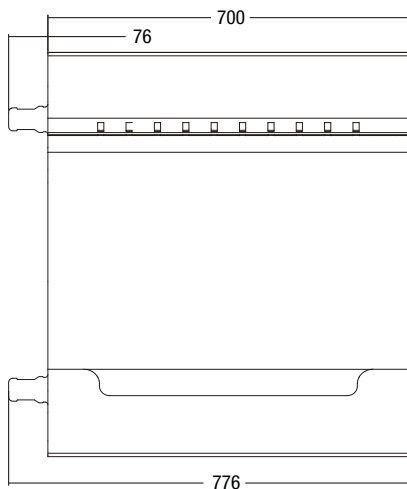
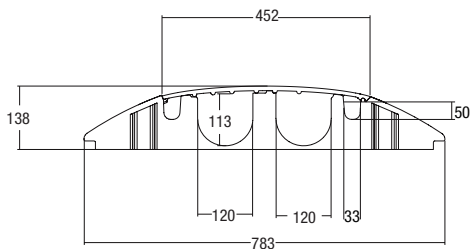
Ce passage de câbles a été développé en collaboration avec les sous-traitants dans le domaine de l'événementiel. La principale caractéristique de ce passage à charge lourde sont les deux canaux de câbles / gaines surdimensionnés pour des câbles d'un diamètre allant jusqu'à 120 mm (par ex. 2 x gaines A), des accouplements sensibles à la rupture ou des boîtiers de prises inférieurs à 100 mm. Pour une utilisation en circulation routière, veuillez respecter la législation routière en vigueur dans votre pays.

<b>ULTRA L</b>	700 x 783 x 139 mm	Poids : 28,3 Kg
<b>ULTRA L V2</b>	700 x 766 x 120 mm	
Charge admise : env. 5t sur une surface de 20 x 20 cm. De manière générale, tout véhicule homologué sur route et disposant d'une hauteur suffisante du passage de roues peut passer sur ce passage de câble. Stabilité élevée en ligne connectée également.		
Domaine d'application : idem à celui du Defender XXL, mais également pour les chantiers, routes etc. Dans ce cas, il est cependant nécessaire de se conformer à la législation routière (hauteur supérieure à 75 mm).		

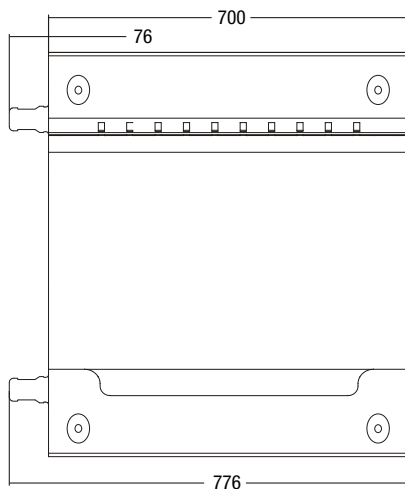
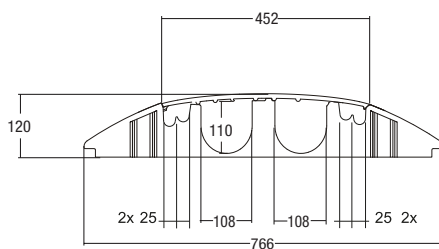


## PLAN TECHNIQUE

**DEFENDER ULTRA-L (85600)**



**DEFENDER ULTRA-L V2 (85601)**



# DEFENDER SERIES

ENGLISH

DEUTSCH

FRANCAIS

ESPAÑOL

POLSKI

ITALIANO

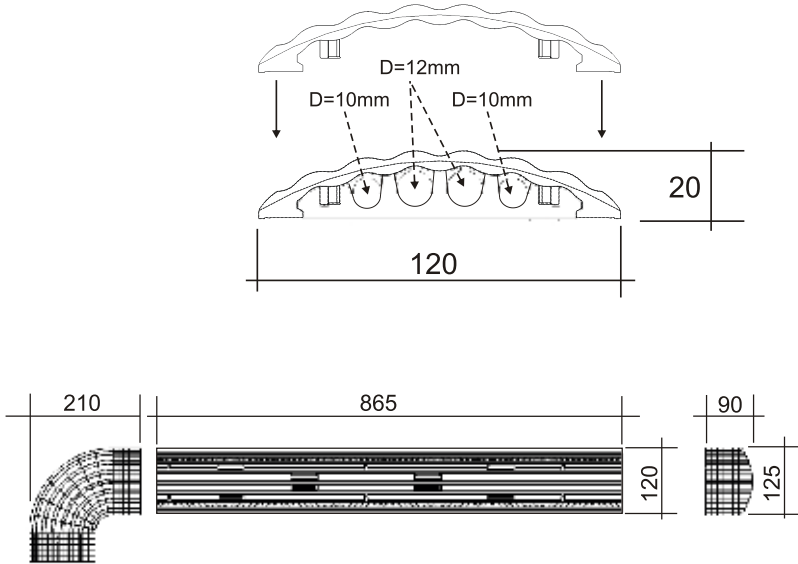
## DEFENDER OFFICE

Le Defender Office équipé de quatre canaux répond à toutes les attentes et directives (selon § 3.A 1 du ArbStättV - code allemand relatif au poste de travail) en termes de protection de câbles professionnelle, que ce soit au bureau, dans une salle de réunion ou sur votre stand dans un salon. La longueur du passage de câbles ainsi que l'incurvation de 90° peuvent à tout moment être ajustées à vos besoins personnels. Comme le modèle COM-PACT avec BASE, cette protection de câbles est constituée de deux éléments. Contrairement à tous les autres passages de câble, celui-ci ne dispose cependant pas de connecteurs. Pour concevoir une LIGNE fixe, qui ne se rompt pas lorsqu'elle est soumise à une charge, le couvercle doit être installé avec un décalage d'environ 10 cm par rapport à la base. Le couvercle se charge ainsi de la fonction de connecteur. La base et le couvercle peuvent être raccourcis séparément à intervalles de 10 mm. Les lignes de marquage correspondantes sont présentes sur les deux éléments. Veuillez respecter la position de ces marquages pour garantir un fonctionnement impeccable du passage de câbles.

<b>OFFICE</b>	870 x 110 x 20 mm	Poids : 1,5 Kg
Charge admise : env. 1t sur une surface de 20 x 20 cm. Passage de bureau - mais également adapté à un passage de véhicule.		
Domaine d'application : toutes les applications sont envisageables; la ligne n'est cependant pas très robuste, il est donc préférable de l'utiliser dans des bureaux, sur des salons etc.		



## PLAN TECHNIQUE



### Accessoires :



**DEFENDER OFFICE** Incurvation de 90°



**DEFENDER OFFICE** Embout

ENGLISH

DEUTSCH

FRANCAIS

ESPAÑOL

POLSKI

ITALIANO

# DEFENDER SERIES

ENGLISH

DEUTSCH

FRANCAIS

ESPAÑOL

POLSKI

ITALIANO

## GARANTIE LIMITÉE:

Cette garantie s'applique au produit Adam Hall de marque Defender que vous avez acheté. Les droits de garantie légaux à l'égard du vendeur ne sont pas remplacés par cette garantie. Cette garantie confère au contraire des droits supplémentaires distincts à l'égard d'Adam Hall.

Par cette garantie, Adam Hall assure une garantie de 2 ans à partir de la date d'achat du produit (auprès d'Adam Hall ou d'un de ses partenaires) contre tout défaut de pièce ou de fabrication, dans le cadre d'une utilisation normale. La période de garantie court à partir de la date d'achat. Pour faire valoir vos droits à la garantie, il faut justifier de la date d'achat, soit par une facture datée, soit par un bon de livraison daté. Vous êtes éligible aux droits relatifs à cette garantie, selon les termes et conditions mentionnés dans ce document, au cas où une réparation devrait intervenir dans le cadre de la garantie.

Cette garantie n'est valable que pour l'acheteur initial du produit Adam Hall ; elle n'est pas transférable à l'acheteur ultérieur du produit.

Tout au long de la période couverte par la garantie, les composants ou le produit défectueux Adam Hall seront réparés ou remplacés gratuitement. Tous les composants échangés dans le cadre de cette garantie restent la propriété de Adam Hall.

Dans le cas improbable où le produit Adam Hall que vous avez acheté présenterait une défaillance répétée Adam Hall peut décider, de son propre chef, de remplacer ce produit par un autre, identique ou comparable (au moins de la même puissance).

Adam Hall ne garantit pas que l'utilisation de ce produit ne sera sujette à aucune interruption ni défaillance. Adam Hall ne peut être tenu pour responsable de dommages consécutifs à une mauvaise observation des instructions d'utilisation contenues dans le manuel utilisateur.

Cette garantie ne s'applique pas dans les cas suivants :

- pièces d'usure (par exemple, accumulateur, lampe...)
- appareils dont le numéro de série a été supprimé, falsifié ou endommagé suite à un accident
- utilisation non appropriée ou abusive ou autres causes extérieures
- appareils utilisés non conformément aux paramètres d'utilisation normaux, mentionnés dans le manuel d'utilisation livré avec l'appareil.
- appareils utilisés non conformément aux paramètres d'utilisation normaux, mentionnés dans le manuel d'utilisation livré avec l'appareil.
- appareils modifiés ou réparés par un tiers autre qu'Adam Hall ou une structure de maintenance autorisée.

Ces termes et conditions constituent l'accord de garantie complet et exclusif entre vous et Adam Hall, relativement au produit de marque Adam Hall que vous avez acheté.

Cette garantie ne s'applique qu'en Europe. Hors Europe, veuillez vous adresser à notre représentant commercial officiel.

## LIMITATION OF LIABILITY

Si votre produit Adam Hall devait ne pas fonctionner correctement, votre seul et unique dédommagement sera la réparation du produit ou son remplacement. La responsabilité maximale imputable à Adam Hall dans le cadre de cette garantie limitée se limite au montant le plus bas. Ce montant découle du prix d'achat du produit ou bien du coût de la réparation ou des pièces de remplacement qui sont tombés en panne dans des conditions d'utilisation normales.

Adam Hall n'est pas responsable des dommages causés par le produit ou par un dysfonctionnement du produit, y compris les pertes de profits, les pertes d'épargne, et les conséquences inhérentes à ces dommages. La responsabilité d'Adam Hall ne peut pas être engagée dans le cas d'une réclamation par un tiers ou dans le cas d'une réclamation émanant de l'acheteur initial pour le compte d'un tiers.

Cette limitation de responsabilité est valable indépendamment du fait que les dommages commis fassent l'objet de poursuites judiciaires, qu'ils fassent l'objet de réclamation (y compris pour négligence), de réclamations contractuelles ou tout autre réclamation. Cette limitation de responsabilité ne peut être amendée ou dérogée par quiconque. Elle est effective même si vous aviez avisé Adam Hall ou l'un de ses représentants officiels de la possibilité d'un tel dommage. Toutefois cette limitation de responsabilité est sans effet dans le cas de réclamations pour dommages corporels.

Cette garantie limitée vous confère des droits légaux spécifiques. Selon votre pays, ou l'État dans lequel vous vous trouvez, il est possible que vous disposiez d'autres droits. Veuillez consulter les lois applicables dans votre pays ou votre État pour déterminer l'ensemble de vos droits.

## FAIRE FONCTIONNER LA GARANTIE

Pour faire fonctionner la garantie sur ce produit, veuillez contacter Adam Hall ou le revendeur agréé auquel vous avez acheté le produit.

# DEFENDER SERIES

ENGLISH

## PROTECTOR DE CABLE DEFENDER

La adquisición de un producto de la serie DEFENDER es la mejor opción para proteger los cables y mangueras. Aunque nuestros protectores de cable son fáciles y prácticos de usar, le ofrecemos a continuación información útil sobre el uso de los mismos.

PATENTADO CON BISAGRA AUTOLIMPIABLE (Patente UE N.º: EP1366550) FABRICADO EN ALEMANIA

Todos nuestros protectores de cable están fabricados con poliuretano termoplástico (TPU), muy estable y resistente a la rotura. Si es necesario, los protectores de cable pueden limpiarse cómodamente con un limpiador por chorro de vapor. Para asegurar un funcionamiento adecuado en todo momento, las zonas de la bisagra y del cierre deberán mantenerse siempre limpias. En caso necesario, se lubricarán las bisagras y los cierres. Para ello, se recomienda utilizar un spray comercial de teflón o de silicona. Limpie el exceso de lubricante después de cada uso para evitar cualquier posible accidente por deslizamiento.

## APLICACIONES Y CAPACIDAD DE CARGA

Tenga en cuenta que para utilizar los protectores de cable en la vía pública, aceras, etc., puede que sean necesarios señales, advertencias o permisos adicionales. Para elegir el protector de cable adecuado para sus necesidades, consulte la capacidad de carga en las tablas adjuntas.

## REQUISITOS

Asegúrese siempre de que la capacidad de carga especificada se alcanza sólo en terreno firme y nivelado. En superficies irregulares o incluso deformables, donde la capacidad de carga puede disminuir considerablemente, deberán llevarse a cabo previamente unas pruebas de resistencia.

## INFLAMABILIDAD

Todos los protectores de cable DEFENDER son de poliuretano y con clase de inflamabilidad B2 (también disponible en B1, difícilmente inflamable, conforme a la norma DIN 4102) y, por lo tanto, es resistente al aceite, al ácido y al petróleo. El rango de temperatura operativa es de -40 °C a +70 °C. El rango de dureza es de 88 Shore A ± 4.

DEUTSCH

FRANCAIS

ESPAÑOL

POLSKI

ITALIANO



## USO

Cada pasacables se suministra con sus correspondientes piezas de unión y de sujeción, lo que permite acoplar entre sí varios protectores de cable. Esta estructura se denomina una línea. En general, las líneas son lo suficientemente estables como para soportar el paso de peatones y vehículos. En caso de que la línea deba soportar mayores cargas, se recomienda anclar la línea al suelo para evitar que pueda desalinearse. Las piezas de unión del Defender III están provistas de orificios especiales para el anclaje. En los demás modelos de protectores de cable deberá taladrarse un orificio directamente dentro de un canal del cable con el que atornillar al suelo. Una vez instalado el pasacables, se podrán abrir las tapas abisagradas (excepto en los modelos Compact y Office). Estas tapas encajan automáticamente en su posición final y pueden abrirse de forma independiente para instalar los cables en el interior, facilitando así su colocación. Después de colocar los cables, cierre la tapa. Asegúrese de que al cerrar la tapa, ésta quede perfectamente encajada en la base. De este modo, se evita la apertura accidental de la tapa durante el paso de una carga.

## FINALIDAD

Los pasacables de la serie DEFENDER se utilizan para proteger el cableado contra cualquier daño. Con el fin de aumentar las prestaciones, estos pasacables cumplen el Reglamento de baja tensión.

## EXENCIÓN DE RESPONSABILIDAD

El usuario es responsable del método empleado para realizar el tendido de los cables y de la clase de cable que desea proteger mediante los protectores de cable DEFENDER. Garantizamos la capacidad de carga de nuestros protectores de cable, siempre que se utilicen de manera apropiada.

# DEFENDER SERIES

ENGLISH

DEUTSCH

FRANÇAIS

ESPAÑOL

POLSKI

ITALIANO

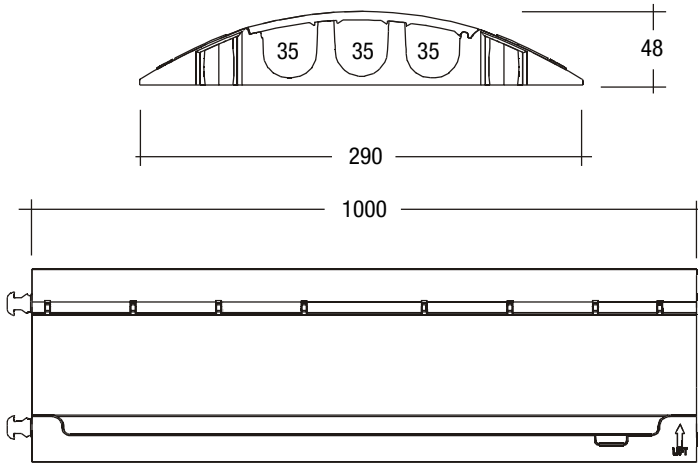
## DEFENDER MINI

De pequeño tamaño, aunque robusto, este pasacables ligero y profesional se adapta a todo tipo de aplicaciones con su habitual diseño negro y amarillo. El nuevo DEFENDER Mini cumple todas las expectativas de un protector de cables profesional y amplía la serie de protectores de cable DEFENDER con un producto resistente al paso de vehículos a pesar de ser extremadamente ligero (¡solo 5 kg!). Al igual que todos los protectores de cable de la serie DEFENDER, el DEFENDER Mini es resistente al aceite, al ácido y al petróleo, y dispone de un sistema patentado de bisagra autolimpiable.

<b>MINI</b>	1000 x 290 x 48 mm	Peso: 5 kg
Capacidad de carga: aprox. 2 toneladas, para una superficie de 20×20 cm. No apto para uso en carreteras. Permite el paso de vehículos, aunque a velocidad reducida y con precaución.		
Aplicaciones: Ferias, aceras y vías peatonales, mercados, mercadillos navideños, talleres, almacenes, centros comerciales, grandes almacenes, etc.		



## DIBUJO TÉCNICO



### Accesorios:



**DEFENDER MINI** Final de rampa macho  
rampa hembra



**DEFENDER MINI** Final de

# DEFENDER SERIES

ENGLISH

DEUTSCH

FRANÇAIS

ESPAÑOL

POLSKI

ITALIANO

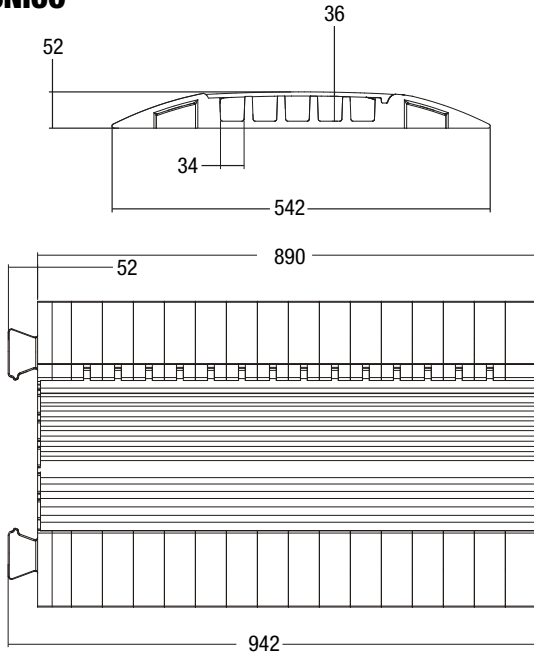
## DEFENDER MIDI

El Defender Midi ha sido desarrollado en respuesta a las múltiples demandas de los clientes y es una solución intermedia entre el Defender Compact y el Defender III. Este protector de cables dispone de 5 canales, piezas de unión moldeadas y, aunque su altura y peso son inferiores a los del Defender III, ofrece una capacidad de carga similar.

<b>MIDI</b>	890 x 542 x 54 mm	Peso: 11,5 kg
Capacidad de carga: aprox. 5 toneladas, para una superficie de 20×20 cm. En general, es resistente al paso de cualquier vehículo de carretera.		
Aplicaciones: Similar a MINI, pero para obras de construcción, carreteras, etc.		



## DIBUJO TÉCNICO



## Accesorios:



**DEFENDER MIDI** Curva de 45°



**DEFENDER MIDI** Final de rampa

ENGLISH

DEUTSCH

FRANCAIS

ESPAÑOL

POLSKI

ITALIANO

# DEFENDER SERIES

ENGLISH

DEUTSCH

FRANÇAIS

ESPAÑOL

POLSKI

ITALIANO

## DEFENDER COMPACT

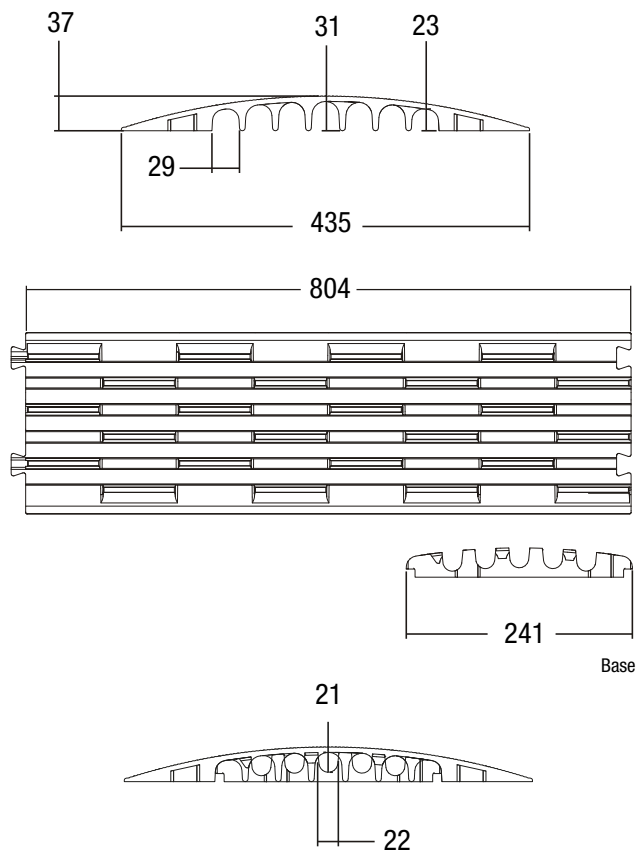
Versión económica del protector Defender III. Los canales moldeados en la parte inferior permiten instalar una multitud de cables bajo el Defender Compact y soportar el paso de vehículos pesados. Fabricado en poliuretano negro con una superficie estriada antideslizante. Esta solución amplía el campo de aplicación a cargas pesadas. La base del Defender Compact, con un peso de 3,5 kg, se acopla perfectamente a la parte superior, aumentando así la capacidad de carga. Permite incluso el paso de carretillas elevadoras. Los 5 canales para cables, cada uno con un diámetro de 22 mm, ofrecen espacio suficiente para muchas aplicaciones. Al acoplar varios protectores Defender Compact para cable, éstos permanecen alineados incluso tras el paso de un vehículo.

Este sencillo protector de cables es lo que se denomina comúnmente un pasacables. Para montarlo, tienda los cables primero y luego cúbralos con el pasacables COMPACT. Si utiliza un pasacables COMPACT con base, instale en primer lugar la base formando una línea. A continuación, tienda los cables en el interior de la base para luego cubrir ambos con el pasacables COMPACT. Inserte el pasacables COMPACT en la base para conseguir una unidad sólida. Se obtiene así una mayor estabilidad de la línea cuando se utiliza el pasacables COMPACT con una base.

<b>COMPACT</b>	805 x 435 x 37 mm	Peso: 3,5 kg
Capacidad de carga: Peatones, bicicletas		
Aplicaciones: Principalmente en salas, ferias, etc.		



## DIBUJO TÉCNICO



### Accesorios:



**DEFENDER COMPACT** Base

# DEFENDER SERIES

ENGLISH

DEUTSCH

FRANCAIS

ESPAÑOL

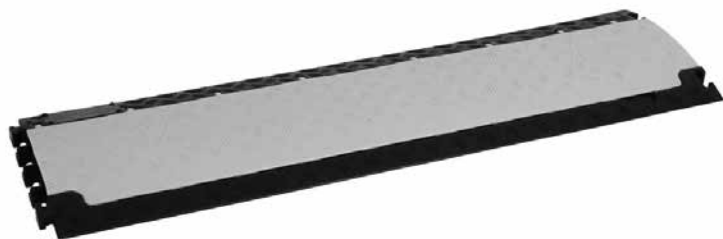
POLSKI

ITALIANO

## DEFENDER NANO

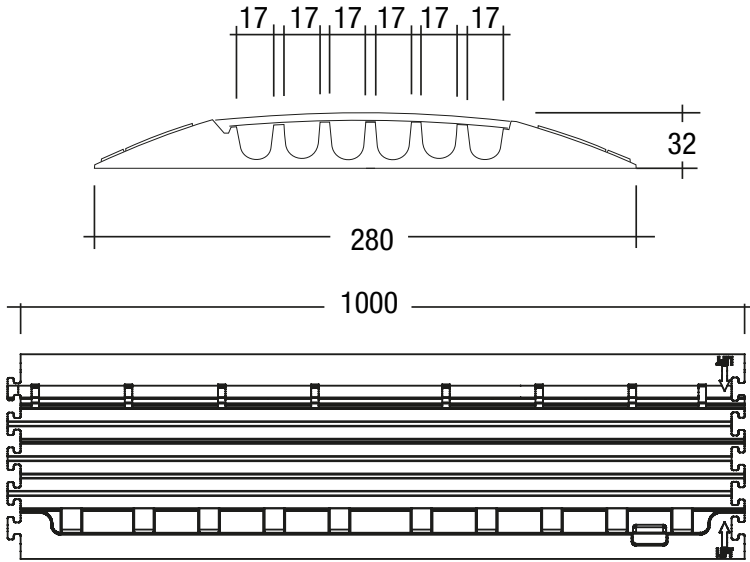
El protector de cables de menor tamaño, pero con un gran potencial. Ligero, profesional y accesible para sillas de ruedas, se adapta a todo tipo de aplicaciones. Con sus 6 canales y su tamaño reducido, el DEFENDER NANO responde a todas las exigencias de un protector de cables profesional. Este pasacables compacto, extremadamente ligero (¡sólo 4 kg!) y resistente al tráfico de vehículos, viene a completar la serie de protectores de cable Defender en el segmento compacto, con su habitual diseño negro y amarillo. Al igual que todos los protectores de cable de la serie Defender, el DEFENDER NANO es resistente al aceite, al ácido y al petróleo, y dispone de un sistema patentado de bisagra autolimpiable.

<b>NANO</b>	1000 x 280 x 32 mm	Peso: 4,47 kg
Capacidad de carga: aprox. 2 toneladas, para una superficie de 20×20 cm. Carretillas homologadas. No apto para uso en carreteras. Permite el paso de vehículos, aunque a velocidad reducida y con precaución.		
Aplicaciones: Ferias, aceras y vías peatonales, mercados, mercadillos navideños, talleres, almacenes, centros comerciales, grandes almacenes, etc.		





## DIBUJO TÉCNICO



## Accesorios:



**DEFENDER NANO** Final de rampa



**DEFENDER NANO** Final de rampa

ENGLISH

DEUTSCH

FRANCAIS

ESPAÑOL

POLSKI

ITALIANO

# DEFENDER SERIES

ENGLISH

DEUTSCH

FRANÇAIS

ESPAÑOL

POLSKI

ITALIANO

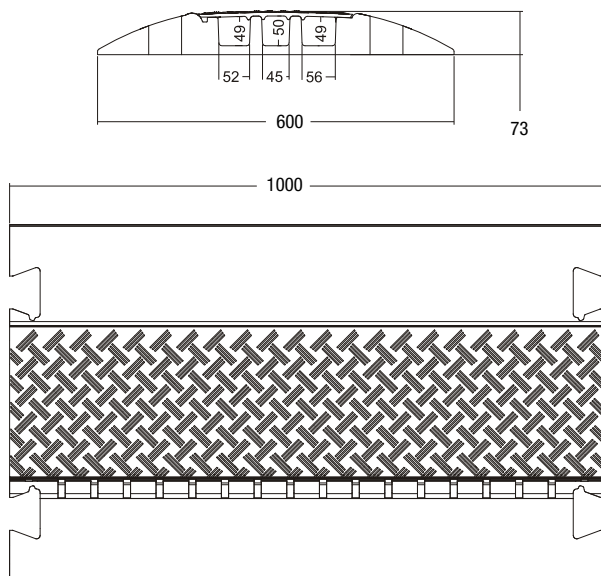
## DEFENDER III

Nuestro pasacables líder en ventas. Fabricado en poliuretano negro, se caracteriza por una superficie antideslizante y una llamativa tapa de polietileno de color amarillo e incluye 3 canales para cable. Los pasacables se acoplan entre sí mediante piezas de unión disponibles por separado. Cada pasacables se suministra con un par de piezas de unión. La novedosa tapa con bisagra patentada (Patente UE N.º: EP1366550) permanece abierta mientras se instalan los cables. El sistema de cierre integrado ofrece una mejor protección contra la suciedad y la rotura que los sistemas convencionales de sujeción mediante Velcro. La extensa gama de accesorios disponibles para el Defender III ofrece una mayor flexibilidad de instalación para la protección de cables y mangueras.

<b>DEFENDER III</b>	1000 x 600 x 73 mm	Peso: 22 kg
Capacidad de carga: aprox. 5 toneladas, para una superficie de 20×20 cm. En general, es resistente al paso de cualquier vehículo de carretera. Su utilización está regulada por el código de circulación. Ofrece una gran estabilidad, incluso con líneas acopladas.		
Aplicaciones: Similar a MIDI y MINI, pero para cables de mayor sección.		



## DIBUJO TÉCNICO



### Accesorios:



**DEFENDER III** Pasador de fijación



**DEFENDER III** Pieza de unión



**DEFENDER III** Curva de 45°



**DEFENDER III** Final de rampa

ENGLISH

DEUTSCH

FRANCAIS

ESPAÑOL

POLSKI

ITALIANO

# DEFENDER SERIES

ENGLISH

DEUTSCH

FRANCAIS

ESPAÑOL

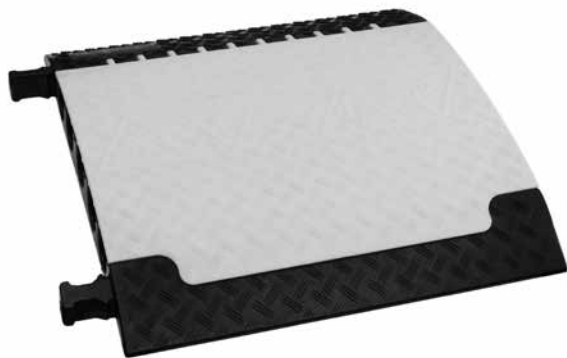
POLSKI

ITALIANO

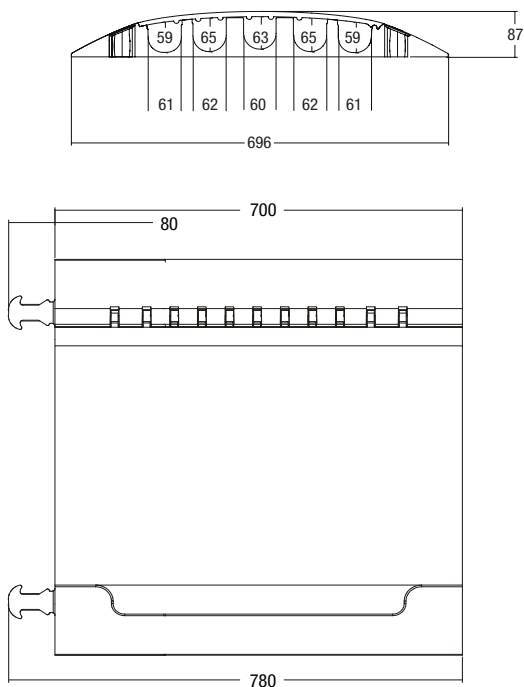
## DEFENDER XXL

Nuestro nuevo buque insignia de la serie Defender ha sido desarrollado en colaboración con prestigiosas distribuidoras y empresas del sector. El Defender XXL tiene 5 canales de gran tamaño, 3 de los cuales permiten alojar las mangueras de tipo C empleadas por los bomberos, con un diámetro de 62 mm. Estos canales también ofrecen una protección óptima para los cables eléctricos. La capacidad de carga supera la del Defender III.

<b>XXL</b>	700 x 696 x 87 mm	Peso: 21,4 kg
Capacidad de carga: aprox. 5 toneladas, para una superficie de 20×20 cm. En general, es resistente al paso de cualquier vehículo de carretera. Ofrece una gran estabilidad, incluso con líneas acopladas. Adecuado para mangueras de tipo C.		
Aplicaciones: Similar al DIII, aunque respetando las normas del código de circulación para alturas de más de 75 mm		



## DIBUJO TÉCNICO



### Accesorios:



**DEFENDER XXL** Final de rampa

# DEFENDER SERIES

ENGLISH

DEUTSCH

FRANCAIS

ESPAÑOL

POLSKI

ITALIANO

## DEFENDER ULTRA-L

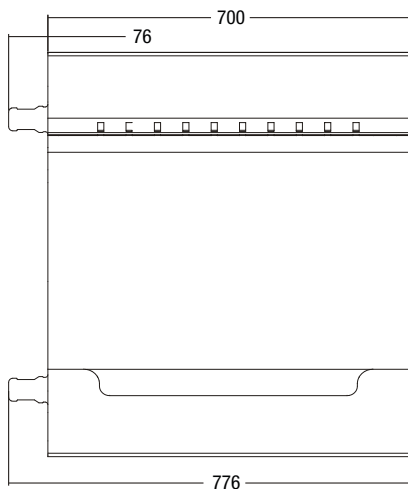
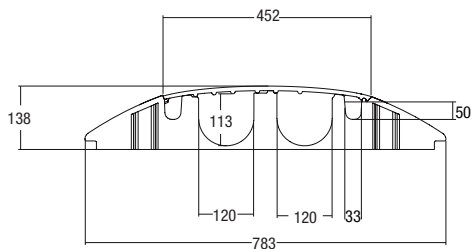
Este pasacables ha sido desarrollado en colaboración con distribuidores para grandes eventos. Este robusto pasacables se distingue principalmente por el gran tamaño de sus 2 canales que permiten alojar cables o mangueras con un diámetro de hasta 120 mm (2 de tipo A, por ejemplo) además de proteger los delicados conectores, y sus carcasas, de tamaño inferior a 100 mm. Para el uso en carreteras, consulte las normas de tráfico vigentes en su país.

<b>ULTRA L</b>	700 x 783 x 139 mm	Peso: 28,3 kg
<b>ULTRA L V2</b>	700 x 766 x 120 mm	
Capacidad de carga: aprox. 5 toneladas, para una superficie de 20×20 cm. En general, es resistente al paso de cualquier vehículo de carretera. Ofrece una gran estabilidad, incluso con líneas acopladas.		
Aplicaciones: Similar al Defender XXL, aunque también para obras de construcción, carreteras, etc. En este caso, se observarán las normas de tráfico pertinentes para alturas de más de 75 mm.		

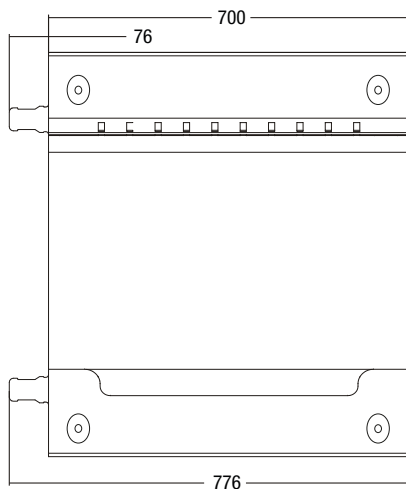
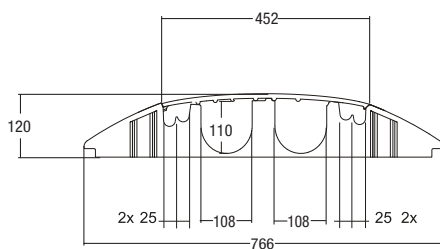


## DIBUJO TÉCNICO

**DEFENDER ULTRA-L (85600)**



**DEFENDER ULTRA-L V2 (85601)**



ENGLISH

DEUTSCH

FRANCAIS

ESPAÑOL

POLSKI

ITALIANO

# DEFENDER SERIES

ENGLISH

DEUTSCH

FRANCAIS

ESPAÑOL

POLSKI

ITALIANO

## DEFENDER OFFICE

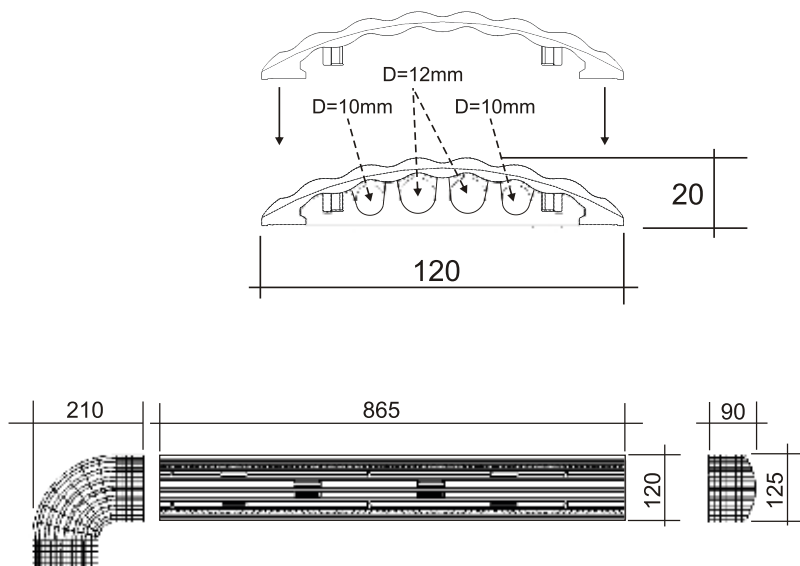
Con sus 4 canales, el Defender Office cumple con todas las expectativas de un protector de cables profesional, ya sea en la oficina, en la sala de reuniones o en un stand de feria. La longitud del pasacables y las curvas de 90° permiten adaptarse a cualquier situación particular. Al igual que con el protector COMPACT con base, este protector de cables se compone de dos piezas. A diferencia de los demás protectores de cable, este modelo no dispone de piezas de unión. Para obtener una línea estable, que no se rompa con el peso de carga ni pierda su alineación, la tapa deberá colocarse a unos 10 cm del borde de la base. De este modo, la tapa hará las funciones de una pieza de unión. La base y la tapa se pueden cortar a medida utilizando una guía marcada cada 10 mm. Ambas piezas disponen de líneas de corte marcadas en su superficie. Tenga en cuenta esta guía para que encajen perfectamente.

<b>OFFICE</b>	870 x 110 x 20 mm	Peso: 1,5 kg
Capacidad de carga: aprox. 1 toneladas, para una superficie de 20×20 cm. Pasacables para oficinas, aunque también permite el paso de vehículos.		
Aplicaciones: Para cualquier tipo de aplicaciones, aunque al no ofrecer estabilidad suficiente en línea, se utilizará preferentemente en oficinas, ferias, etc.		





## DIBUJO TÉCNICO



### Accesorios:



**DEFENDER OFFICE** Curva de 90°



**DEFENDER OFFICE** Final de rampa

# DEFENDER SERIES

## GARANTÍA LIMITADA

La presente garantía cubre el producto de la marca Defender que ha adquirido de Adam Hall. No afecta a los derechos de garantía legal de la que responde el vendedor. De hecho, le concede derechos adicionales ante Adam Hall, independientes de la garantía legal.

Por la presente, Adam Hall garantiza que el producto que ha adquirido de Adam Hall o de un partner de Adam Hall estará exento de defectos de material y fabricación, en condiciones normales de uso, durante un período de 5 años a partir de la fecha de compra. El período de garantía entra en vigor el día de la fecha de compra. Para ejercer su derecho a la garantía será necesario presentar un justificante de compra válido en el que figure la fecha de compra del producto, por ejemplo, la factura o el albarán de entrega. Si el producto adquirido necesitara una reparación dentro del período de garantía, usted tendrá derecho a obtener los servicios de garantía conforme a los términos y condiciones establecidos en este documento.

La presente garantía se aplica únicamente al comprador original del producto comercializado por Adam Hall y no es transferible a una tercera persona a la que el comprador original haya transferido la propiedad del producto Adam Hall. Durante el período de garantía, Adam Hall se compromete a reparar o sustituir las piezas defectuosas o el producto en cuestión. Todos los componentes sustituidos o retirados en el marco de la presente garantía pasarán a ser propiedad de Adam Hall.

En el caso improbable de que se produzca un fallo recurrente en el producto adquirido, Adam Hall, a su entera discreción, podrá optar por sustituir dicho producto defectuoso por otro de similares características.

Adam Hall no garantiza el funcionamiento ininterrumpido y sin fallos de este producto. Adam Hall no se hace responsable de los posibles daños ocasionados por no seguir las instrucciones de uso suministradas con el producto.

Esta garantía no cubre:

- los consumibles (baterías, válvulas, etc.)
- los productos cuyo número de serie ha sido borrado, o que han quedado dañados y defectuosos debido a un accidente
- los defectos ocasionados por un uso incorrecto o indebido, o cualquier otra causa ajena
- los equipos que no se utilizan conforme a los parámetros establecidos en la documentación suministrada con el producto
- los equipos que no fueron reparados con piezas fabricadas o distribuidas por Adam Hall
- los equipos cuyo mantenimiento, modificación o reparación no haya sido realizado por Adam Hall o uno de sus servicios técnicos autorizados

Estos términos y condiciones constituyen el acuerdo de garantía íntegro y exclusivo entre usted y Adam Hall en relación con el producto Adam Hall que acaba de adquirir.

Esta garantía sólo es válida dentro de Europa. Fuera de Europa deberá dirigirse a nuestros distribuidores oficiales.

ENGLISH

DEUTSCH

FRANÇAIS

ESPAÑOL

POLSKI

ITALIANO

## LIMITACIÓN DE **RESPONSABILIDAD**

Si su producto Adam Hall no funciona de acuerdo con las garantías mencionadas arriba, tendrá derecho exclusivamente a la reparación o sustitución del mismo. La responsabilidad máxima de Adam Hall en virtud de los términos de esta garantía está limitada al menor importe que resulte del precio de compra del producto, del coste de la reparación o la sustitución de las piezas que han dejado de funcionar en condiciones normales de uso.

Adam Hall no será responsable de cualquier daño causado por el producto o por el mal funcionamiento del producto, incluidas la pérdida de ganancias, la pérdida de ahorros o cualquier consecuencia derivada de dichas pérdidas. Adam Hall no se hará responsable de ninguna reclamación presentada por un tercero o por el comprador inicial en nombre de un tercero.

Esta limitación de responsabilidad se aplicará con independencia de que se solicite una indemnización por daños y perjuicios, o se presenten reclamaciones por negligencia, contractuales o de cualquier otra índole, y no podrá ser derogada o modificada. Esta limitación de responsabilidad será efectiva incluso en el caso de que el comprador hubiese avisado previamente a Adam Hall o a alguno de sus representantes de la posibilidad de reclamar daños y perjuicios. No obstante, esta limitación de responsabilidad no tendrá efecto en caso de reclamación por daños personales.

Esta garantía limitada le otorga derechos legales específicos. Puede que posea derechos adicionales conforme a la legislación del país o Estado en el que se encuentre. Le recomendamos que consulte la legislación vigente en su país o Estado para conocer el alcance de sus derechos.

## APLICACIÓN DE LA **GARANTÍA**

Para solicitar asistencia técnica en relación con el producto en garantía, póngase en contacto con Adam Hall o con el distribuidor autorizado donde adquirió el producto.

## MOSTKI KABLOWE DEFENDER

Wybór produktów serii DEFENDER zapewnia maksymalną ochronę okablowania. Choć stosowanie mostków kablowych naszej produkcji jest proste i logiczne, podajemy dodatkowo kilka przydatnych informacji w zakresie ich obsługi i stosowania.

OPATENTOWANA KONSTRUKCJA Z SAMOCZYSZCZĄCYM ZAWIASEM (nr patentu UE: EP1366550), MADE IN GERMANY!

Wszystkie nasze mostki są wytwarzane z bardzo stabilnego i wytrzymałego tworzywa sztucznego TPU (poliuretan termoplastyczny). Mostki można bez problemu czyścić, również z użyciem myjki parowej. Aby jednak zapewnić ciągłe nienaganne funkcjonowanie, obszar zawiasów, jak również zamknięcia należy zawsze utrzymywać w czystości. W razie potrzeby zawiasy i zamknięcia można lekko nasmarować. W tym celu zalecamy stosowanie powszechnie dostępnego aerozolu teflonowego lub silikonowego. Nadmiar smaru należy po nałożeniu zetrzeć, aby zapobiec ewentualnemu poślizgnięciu.

## ZASTOSOWANIE I OBCIĄŻALNOŚĆ

Należy pamiętać, że w przypadku stosowania mostków kablowych na drogach publicznych, ścieżkach dla pieszych itp. mogą być wymagane dodatkowe oznaczenia lub znaki ostrzegawcze, być może również zezwolenia. Aby wybrać właściwy mostek kablowy odpowiednio do indywidualnych potrzeb, należy odczytać jego obciążalność z dołączonych tabel.

## WARUNEK KONIECZNY

Należy zawsze pamiętać o tym, że podaną obciążalność można uzyskać wyłącznie na twardym i równym podłożu. W przypadku nierównego lub miękkiego podłoża obciążalność może być znacznie niższa, stąd przed przekazaniem do użytkowania zaleca się przeprowadzenie stosownych prób obciążeniowych.

## OCHRONA PRZECIWOPOŻAROWA

Wszystkie mostki kablowe DEFENDER są wykonane z poliuretanu w klasie odporności ogniowej B2 (dostępne również w wersji B1 — trudnozapalne w rozumieniu normy DIN 4102), są też odporne na działanie olejów, kwasów i benzyny. Zakres temperatury pracy wynosi od około -40°C do +70°C. Zakres twardości to 88 Shore-A ± 4.

## OBSŁUGA

Każdy mostek kablowy jest wyposażony w łącznik i odpowiednie mocowania, umożliwiające łączenie ze sobą dowolnej ilości mostków kablowych jednego szeregu konstrukcyjnego. Również tutaj używa się określenia „linia”. Tak skonstruowane linie są zasadniczo dostatecznie stabilne, aby bez dodatkowych zabezpieczeń umożliwiać przechodzenie po nich czy przejeżdżanie. Jeśli jednak linia ma być używana w trudniejszych warunkach i istnieje ryzyko jej przesunięcia podczas pracy, zaleca się dodatkowe zakotwienie linii do podłoża. W przypadku produktów Defender III w łączniku przewidziano specjalne otwory umożliwiające zakotwienie. W pozostałych mostkach należy wywiercić otwór w obrębie kanału kablowego, w który będzie można włożyć kotwę. Po ułożeniu (z wyjątkiem wersji Compact i Office) istnieje możliwość otwarcia pokryw poprzez ich pociągnięcie w górę. Zatraskują się one samoczynnie w położeniu krańcowym i same pozostają otwarte aż do zamierzonego zamknięcia. Ułatwia to układanie przewodów. Po ułożeniu przewodów pokrywy należy zamknąć. Jednocześnie należy uważać, aby zamknięcie pokrywy zatrasnęło się mocno w podstawie. Tylko w ten sposób można zapobiec niezamierzonemu otwarciu pokrywy pod wpływem obciążenia.

## ZASTOSOWANIE

Zadaniem wszystkich mostków kablowych serii DEFENDER jest ochrona wszelkiego rodzaju przewodów przed uszkodzeniami. Aby spełnić najwyższe wymagania dotyczące stosowania, nasze mostki kablowe odpowiadają normom określonym w dyrektywie niskonapięciowej.

## ZAKRES ODPOWIEDZIALNOŚCI

Każdy użytkownik odpowiada za to, jakie kable i przewody chroni za pomocą mostków kablowych DEFENDER oraz sposób, w jaki są one ułożone. Podane wartości obciążenia naszych mostków gwarantujemy jedynie w przypadku ich prawidłowego zastosowania.

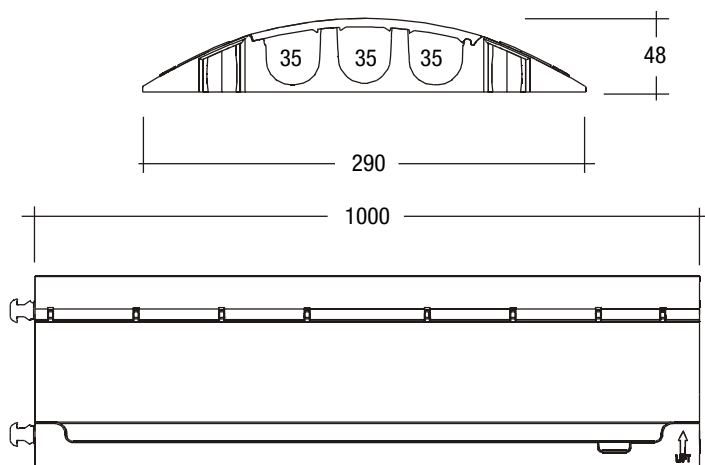
## DEFENDER MINI

Mały wśród wielkich. Lekki, profesjonalny i uniwersalny. Nowy mostek DEFENDER Mini spełnia wszelkie wymagania w zakresie profesjonalnej ochrony okablowania i powiększa serię DEFENDER o kompaktowy, bardzo lekki (zaledwie 5 kg!) mostek kablowy, jednak po którym można przejeżdżać, w typowo czarno-żółtym wzornictwie. Podobnie jak wszystkie mostki z serii DEFENDER, również DEFENDER Mini jest odporny na działanie olejów, kwasów i benzyny oraz jest wyposażony w opatentowane, samoczyszczące zawiasy zamykające.

<b>MINI</b>	1000 x 290 x 48 mm	Masa: 5 kg
Obciążalność: około 2 t na powierzchni 20 x 20 cm. Nie nadaje się do stosowania w ruchu drogowym. Mimo to samochody mogą powoli przejeżdżać po mostku.		
Obszar zastosowań: targi / ścieżki dla pieszych / targowiska / jarmarki / warsztaty / hale magazynowe / centra handlowe / domy handlowe itp.		



## RYSUNEK TECHNICZNY



## Akcesoria:



**DEFENDER MINI** końcówka „męska”  
„żeńska”



**DEFENDER MINI** końcówka

ENGLISH

DEUTSCH

FRANCAIS

ESPAÑOL

POLSKI

ITALIANO

# DEFENDER SERIES

ENGLISH

DEUTSCH

FRANCAIS

ESPAÑOL

POLSKI

ITALIANO

## DEFENDER MIDI

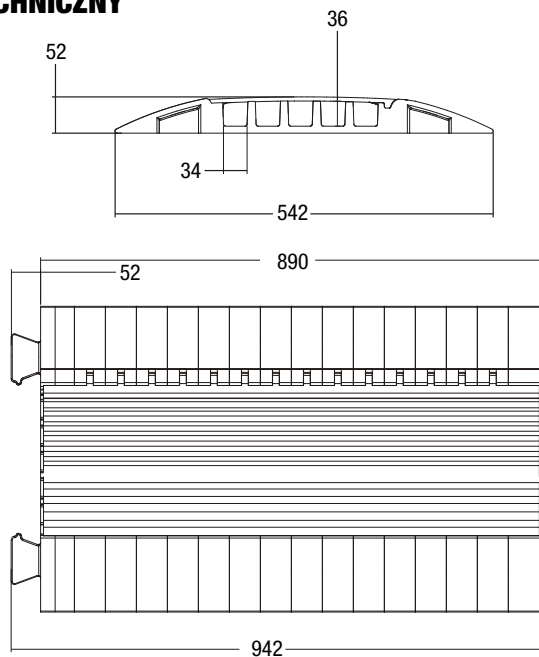
Defender Midi został opracowany jako rozwiązanie do zastosowań pomiędzy produktami Defender Compact a Defender III. Mostki kablowe tej serii wyróżnia pięć kanałów, niewielka wysokość i mniejsza masa niż w przypadku produktów Defender III, jak również łączniki umieszczone wtryskowo. Obciążalność jest podobna, jak w przypadku mostków Defender III!

<b>MIDI</b>	890 x 542 x 54 mm	Masa: 11,5 kg
Obciążalność: około 5 t na powierzchni 20 x 20 cm. Po mostku tym może przejechać generalnie każdy pojazd dopuszczony do ruchu drogowego.		
Obszar zastosowań: Podobnie jak MINI, jednak również place budowy, drogi itd.		





## RYSUNEK TECHNICZNY



### Aksesoria:



**DEFENDER MIDI** Zagięcie 45°



**DEFENDER MIDI** Końcówka

ENGLISH

DEUTSCH

FRANCAIS

ESPAÑOL

POLSKI

ITALIANO

# DEFENDER SERIES

ENGLISH

## DEFENDER COMPACT

Ekonomiczny wariant systemu Defender III. Uformowane w dnie rzędy wypustek umożliwiają położenie wielu kabli pod mostkiem kablowym Defender Compact i tym samym przeniesienie ciężaru przejeżdżających pojazdów. Wyprodukowany z czarnego poliuretanu z żebrowaną powierzchnią przeciwpoślizgową. Doskonały dodatek do dużych obciążeń: unikatowy spód Defender Compact o masie 3,5 kg można połączyć z mostkiem kablowym Defender Compact w jedną całość. Usztywniony w ten sposób mostek kablowy Defender Compact jest w stanie sprostać nawet wysokim obciążeniom. Po takim mostku kablowym mogą bez problemu przejeżdżać wózki widłowe i podnośniki. Pięć kanałów kablowych, każdy o średnicy 22 mm, zapewnia wystarczającą ilość miejsca do wielu zastosowań. W przypadku ułożenia wielu mostków kablowych DEFENDER Compact w jednej linii z zastosowaniem dodatkowych spodów, zachowują one postać stabilnego rzędu nawet po przejechaniu przez nie samochodu osobowego.

Taka prosta ochrona przewodów to tak zwany mostek nakrywany. W tym przypadku najpierw kładzione są przewody, przykrywane następnie mostkiem COMPACT. Decydując się na mostek COMPACT z PODSTAWĄ, należy najpierw ułożyć PODSTAWĘ w zwartą LINIĘ. Potem należy ułożyć przewody na podstawie, a następnie zakryć całość mostkiem COMPACT. Zaczepy mostka COMPACT zagłębiają się przy tym w PODSTAWĘ, łącząc obie części w trwałą całość. Większą wytrzymałość linii można uzyskać, układając mostek COMPACT z przesunięciem względem PODSTAWY.

<b>COMPACT</b>	805 x 435 x 37 mm	Masa: 3,5 kg
----------------	-------------------	--------------

Obciążalność: piesi, rowerzyści
---------------------------------

Obszar zastosowań: głównie w halach, podczas targów itd.
--

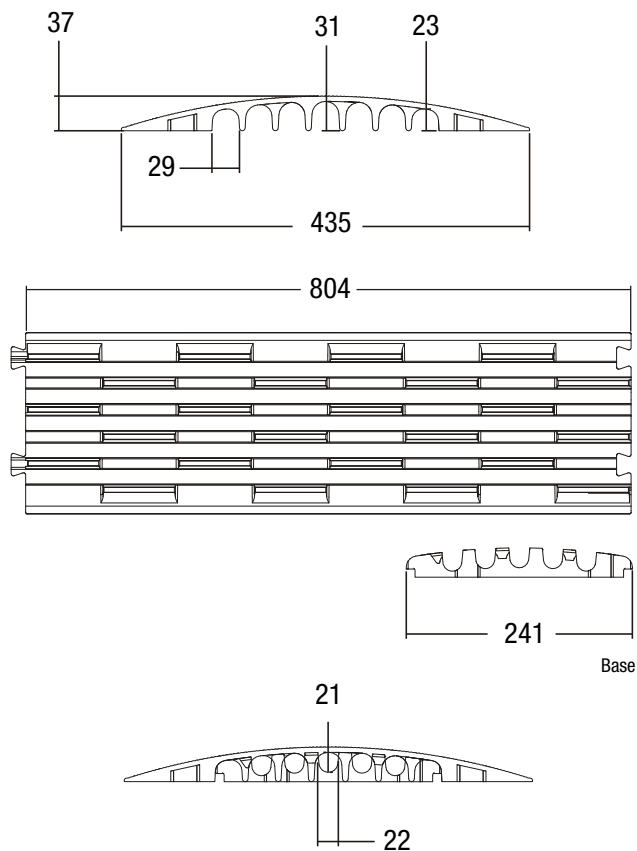


ESPAÑOL

POLSKI

ITALIANO

## RYSUNEK TECHNICZNY



**Akcesoria:**



**DEFENDER COMPACT** Base

ENGLISH

DEUTSCH

FRANCAIS

ESPAÑOL

POLSKI

ITALIANO

# DEFENDER SERIES

ENGLISH

DEUTSCH

FRANCAIS

ESPAÑOL

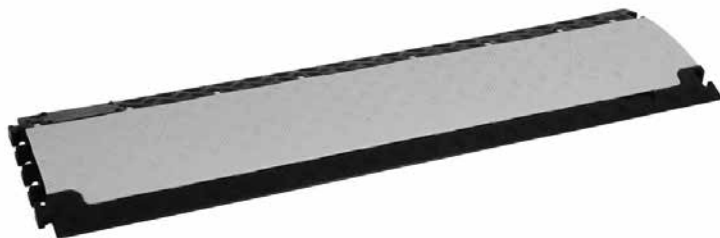
POLSKI

ITALIANO

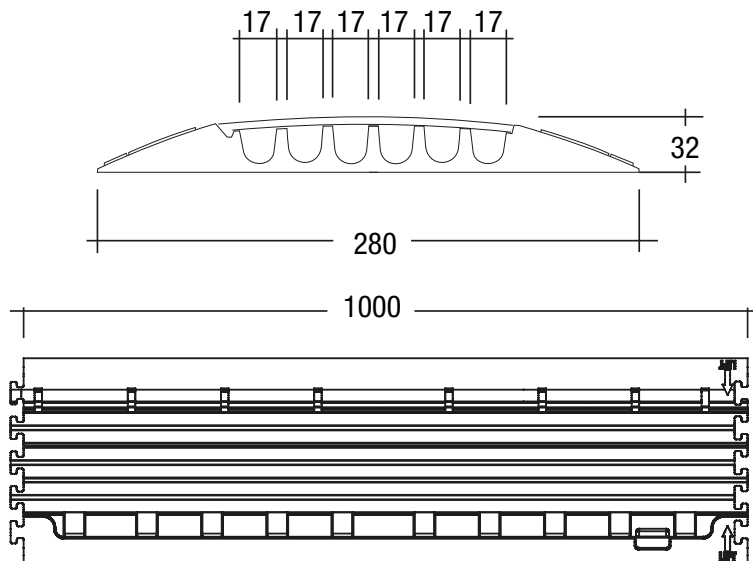
## DEFENDER NANO

Najmniejszy o dużym potencjale. Lekki, profesjonalny, przystosowany do wózków inwalidzkich i uniwersalny. Sześciokanałowy mostek DEFENDER NANO spełnia wszelkie oczekiwania w zakresie profesjonalnej ochrony okablowania i to na możliwie najmniejszej przestrzeni. Rozszerzenie oferty mostków kablowych DEFENDER o kompaktowy, bardzo lekki (zaledwie 4 kg!) i umożliwiający przejeżdżanie mostek kablowy w typowym czarno-żółtym wzornictwie sprawia, że seria w segmencie kompaktowym jest teraz kompletna. Podobnie jak wszystkie mostki z serii DEFENDER, również DEFENDER NANO jest odporny na działanie olejów, kwasów i benzyny oraz jest wyposażony w opatentowane, samoczyszczące zawiasy zamykające.

<b>NANO</b>	1000 x 280 x 32 mm	Masa: 4,47 kg
Obciążalność: około 2 t na powierzchni 20 x 20 cm. Przystosowany do ruchu podnośników. Nie nadaje się do stosowania w ruchu drogowym. Mimo to samochody mogą powoli przejeżdżać po mostku.		
Obszar zastosowań: targi / ścieżki dla pieszych / targowiska / jarmarki / warsztaty / hale magazynowe / centra handlowe / domy handlowe itp.		



## RYSUNEK TECHNICZNY



## Akcesoria:



**DEFENDER NANO** końcówka „męska”



**DEFENDER NANO** końcówka „żeńska”

ENGLISH

DEUTSCH

FRANCAIS

ESPAÑOL

POLSKI

ITALIANO

# DEFENDER SERIES

ENGLISH

DEUTSCH

FRANCAIS

ESPAÑOL

POLSKI

ITALIANO

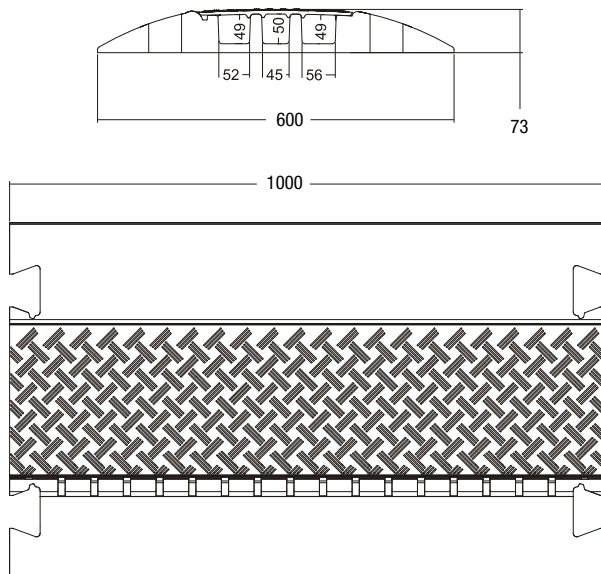
## DEFENDER III

Nasz bestseller. Wykonany z czarnego poliuretanu ze strukturalną powierzchnią antypoślizgową i widoczną żółtą polietylenową pokrywą, mieści w sobie trzy kanały kablowe. Mostki kablowe można łączyć ze sobą za pomocą dostępnych oddzielnie czopów. Każdy mostek kablowy jest dostarczany z parą czopów łączących. Nowa pokrywa z opatentowanym zawiasem (nr patentu UE: EP1366550) pozostaje w pozycji otwartej podczas układania kabli. W porównaniu z typowymi zapięciami na rzepy wbudowany system zamków błyskawicznych łączy w sobie lepszą ochronę przed zanieczyszczeniami lub zerwaniem pokrywy. Pełny asortyment akcesoriów pozwala rozbudować mostek Defender III w uniwersalny system do ochrony drógich kabli i linii wielożyłowych.

<b>DEFENDER III</b>	1000 x 600 x 73 mm	Masa: 22 kg
Obciążalność: około 5 t na powierzchni 20 x 20 cm. Po mostku tym może przejechać generalnie każdy pojazd dopuszczony do ruchu drogowego. Ze względu na wysokość dopuszczony również przez przepisy o ruchu drogowym. Wysoka stabilność również w przypadku linii łączonej.		
Obszar zastosowań: Podobnie jak MIDI i MINI, ale dla większych przewodów.		



## RYSUNEK TECHNICZNY



### Akcesoria:



**DEFENDER III** Śruba do mocowania pokrywy



**DEFENDER III** Czop łączący



**DEFENDER III** Zagięcie 45°



**DEFENDER III** Końcówka

ENGLISH

DEUTSCH

FRANCAIS

ESPAÑOL

POLSKI

ITALIANO

# DEFENDER SERIES

ENGLISH

DEUTSCH

FRANCAIS

ESPAÑOL

POLSKI

ITALIANO

## DEFENDER XXL

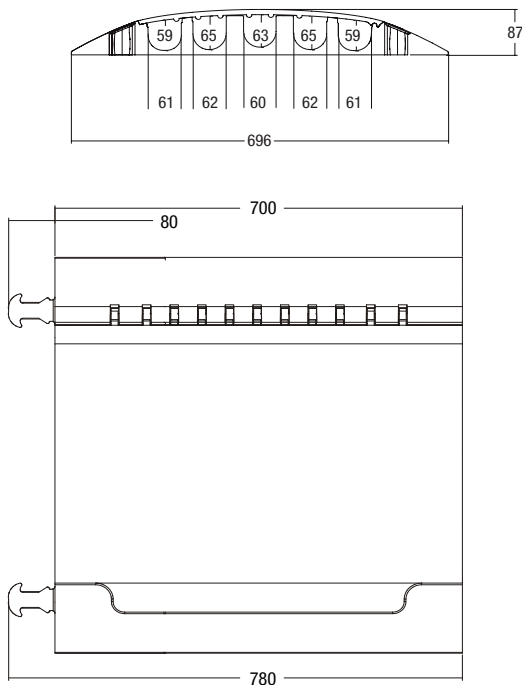
We współpracy z firmami z branży i renomowanymi kontrahentami opracowaliśmy nasz nowy sztanarowy produkt z serii Defender. Pięć wyjątkowo dużych kanałów kablowych, z których trzy mogą zabezpieczać węże gaśnicze typu C (Ø 62 mm). Również kable energetyczne mają zapewnioną optymalną ochronę. Obciążalność jest jeszcze wyższa, niż w przypadku modułów Defender III.

<b>XXL</b>	700 x 696 x 87 mm	Masa: 21,4 kg
Obciążalność: około 5 t na powierzchni 20 x 20 cm. Po mostku tym może przejechać generalnie każdy pojazd dopuszczony do ruchu drogowego i posiadający dostateczny prześwit. Wysoka stabilność również w przypadku linii łączonej. Możliwość ułożenia węża gaśniczego typu C.		
Obszar zastosowań: Podobnie jak DIII, jednak należy tu zwrócić uwagę na przepisy ruchu drogowego (wysokość powyżej 75 mm)		





## RYSUNEK TECHNICZNY



### Akcesoria:



**DEFENDER XXL** Końcówka

ENGLISH

DEUTSCH

FRANCAIS

ESPAÑOL

POLSKI

ITALIANO

# DEFENDER SERIES

ENGLISH

DEUTSCH

FRANCAIS

ESPAÑOL

POLSKI

ITALIANO

## DEFENDER ULTRA-L

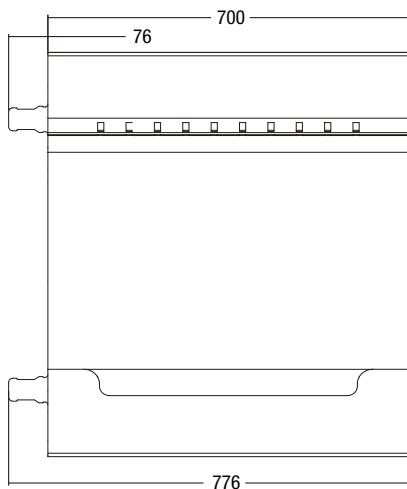
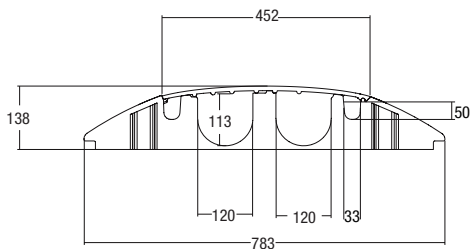
Te mostki kablowe zostały opracowane we współpracy z dostawcami z myślą o imprezach masowych. Główną cechą tego mostka o dużej obciążalności są dwa kanały na kable i węże, umożliwiające układanie przewodów o rozmiarze nawet 120 mm (np. 2 węże gaśnicze typu A), delikatnych złącz lub obudów wtykowych o wielkości do 100 mm. W przypadku stosowania w publicznym ruchu drogowym należy stosować się do przepisów obowiązujących w danym kraju.

<b>ULTRA L</b>	700 x 783 x 139 mm	Masa: 28,3 kg
<b>ULTRA L V2</b>	700 x 766 x 120 mm	
Obciążalność: około 5 t na powierzchni 20 x 20 cm. Po mostku tym może przejechać generalnie każdy pojazd dopuszczony do ruchu drogowego i posiadający dostateczny prześwit. Wysoka stabilność również w przypadku linii łączonej.		
Obszar zastosowań: Podobnie jak Defender XXL, a dodatkowo place budów, drogi itd. Należy tu jednak zwrócić uwagę na przepisy ruchu drogowego (wysokość powyżej 75 mm)		

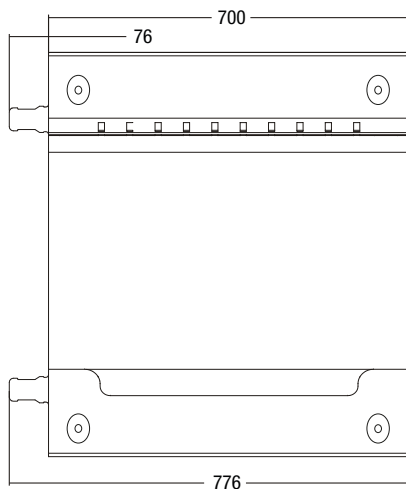
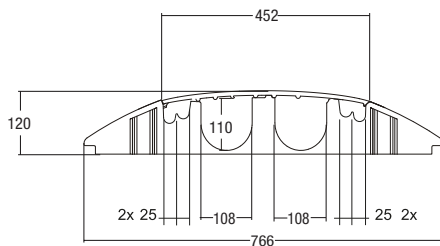


## RYSUNEK TECHNICZNY

**DEFENDER ULTRA-L (85600)**



**DEFENDER ULTRA-L V2 (85601)**



ENGLISH

DEUTSCH

FRANCAIS

ESPAÑOL

POLSKI

ITALIANO

# DEFENDER SERIES

ENGLISH

DEUTSCH

FRANCAIS

ESPAÑOL

POLSKI

ITALIANO

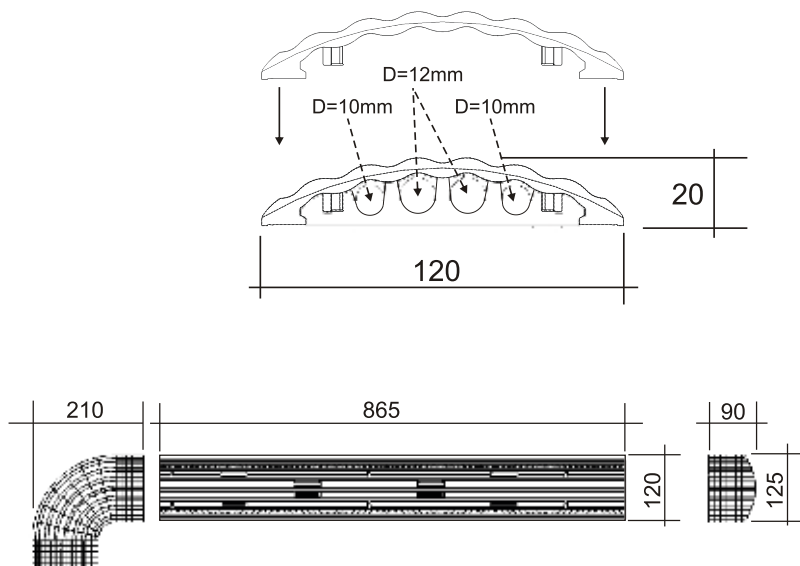
## DEFENDER OFFICE

Czterokanałowy mostek kablowy Defender Office spełnia wszelkie wymagania i dyrektywy (również § 3 A1 niemieckiego Rozporządzenia o miejscach pracy) w zakresie profesjonalnej ochrony kabli, zarówno w biurze, sali konferencyjnej, jak i na stoisku targowym. Długość mostka kablowego oraz zagięcia 90° można w dowolnej chwili dopasować do indywidualnych potrzeb. Podobnie jak w przypadku produktu COMPACT z dodatkiem BASE, ten system ochrony okablowania składa się z dwóch części. W przeciwieństwie do wszystkich innych mostków rozwiązanie to nie jest jednak wyposażone w łączniki. Aby ułożyć trwałą LINIĘ, która nie złamie się nawet pod obciążeniem, należy nałożyć pokrywę z przesunięciem około 10 cm względem podstawy. Pokrywa przejmuje tym samym funkcję łącznika. Podstawę i pokrywę można indywidualnie skracać w krokach co 10 mm. Odpowiednie znaczniki są umieszczone na obu składnikach konstrukcji. Aby zapewnić prawidłowe funkcjonowanie, należy przestrzegać tych linii.

<b>OFFICE</b>	870 x 110 x 20 mm	Masa: 1,5 kg
Obciążalność: około 1 t na powierzchni 20 x 20 cm. Mostek biurowy – jednak można po nim przejeżdżać pojazdami osobowymi.		
Obszar zastosowań: Do wszystkich zastosowań, choć w linii niezbyt stabilny, stąd preferowane zastosowanie w biurze, podczas targów itd.		



## RYSUNEK TECHNICZNY



### Akcesoria:



**DEFENDER OFFICE** Zagięcie 90°



**DEFENDER OFFICE** Końcówka

ENGLISH

DEUTSCH

FRANCAIS

ESPAÑOL

POLSKI

ITALIANO

# DEFENDER SERIES

## OGRANICZONA GWARANCJA

Niniejsza gwarancja obejmuje zakupiony przez Państwa produkt Adam Hall marki Defender. Niniejsza gwarancja nie narusza ustawowych praw wynikających z rękopisów wobec sprzedawcy. Gwarancja ta określa dodatkowe oddzielne roszczenia wobec firmy Adam Hall.

Udzielając niniejszej gwarancji, firma Adam Hall zapewnia, że zakupiony przez Państwa w firmie Adam Hall lub u partnera firmy Adam Hall produkt przy normalnym użytkowaniu w okresie 5 lat od daty zakupu będzie wolny od wad materiałowych lub wad technologicznych. Okres gwarancji rozpoczyna się z dniem zakupu. Potwierdzenie daty zakupu niezbędne dla dochodzenia roszczenia gwarancyjnego następuje poprzez okazanie paragonu opatrzonego datą zakupu lub dowodu dostawy opatrzonego datą zakupu. Użytkownik ma prawo do serwisu gwarancyjnego zgodnie z warunkami i postanowieniami wymienionymi w niniejszym dokumencie, jeśli wymagana jest naprawa w trakcie okresu gwarancyjnego.

Niniejsza gwarancja przysługuje wyłącznie pierwotnemu kupującemu, który nabył produkt oferowany przez firmę Adam Hall i nie podlega przeniesieniu na osoby, na które pierwotny kupujący przeniósł własność w odniesieniu do produktu firmy Adam Hall.

W trakcie trwania okresu gwarancji wadliwe komponenty lub produkt firmy Adam Hall podlegają naprawie lub wymianie. Wszystkie komponenty wymienione lub usunięte w ramach niniejszej gwarancji stają się własnością firmy Adam Hall.

W mało prawdopodobnym przypadku, gdy w zakupionym przez Państwa produkcie firmy Adam Hall wada wystąpiłaby wielokrotnie, firma Adam Hall może, według własnego uznania, zdecydować o wymianie tego produktu na porównywalny produkt o co najmniej takich samych parametrach.

Firma Adam Hall nie udziela gwarancji na bezzakłóceniu lub bezawaryjne działanie niniejszego produktu. Firma Adam Hall nie ponosi odpowiedzialności za szkody wynikłe z nieprzestrzegania instrukcji objętych zakresem dostawy.

Niniejsza gwarancja nie obejmuje:

- części zużywalnych (np. akumulatora, lamp elektronowych);
- urządzeń, z których usunięto numer seryjny lub które zostały uszkodzone w wyniku wypadku;
- nieodpowiedniej lub nieprawidłowej eksploatacji lub innych przyczyn zewnętrznych;
- urządzeń, które były eksploatowane niezgodnie z parametrami pracy określonymi w dokumentacji użytkownika objętej zakresem dostawy produktu;
- urządzeń, które były naprawiane przy użyciu części, których nie wyprodukowała lub nie sprzedała firma Adam Hall;
- urządzeń, które były serwisowane, modyfikowane lub naprawiane przez inne osoby niż firma Adam Hall lub jej autoryzowany partner serwisowy.

Niniejsze postanowienia i warunki stanowią kompletną i wyłączną umowę gwarancyjną między klientem a firmą Adam Hall dotyczącą zakupionego przez klienta produktu Adam Hall.

Niniejsza gwarancja jest ważna tylko na terenie Europy. Poza Europą proszę kontaktować się z naszymi oficjalnymi dystrybutorami.

ENGLISH

DEUTSCH

FRANÇAIS

ESPAÑOL

POLSKI

ITALIANO

## OGRANICZENIE ODPOWIEDZIALNOŚCI

Jeśli Twój produkt Adam Hall nie działa prawidłowo, wskazanym i wyłącznym rozwiązaniem jest naprawa lub wymiana. Maksymalna odpowiedzialność firmy Adam Hall w związku z niniejszą gwarancją ogranicza się maksymalnie do kwoty równej cenie zakupu produktu lub kosztom naprawy lub wymiany komponentów sprzętowych, które uległy uszkodzeniu lub nie działają prawidłowo podczas normalnego użytkowania.

Adam Hall nie odpowiada za jakiegokolwiek szkody spowodowane przez produkt lub awarię produktu, włącznie z utratą zysków lub oszczędności, szczególnych, przypadkowych lub powiązanych szkód. Adam Hall nie ponosi odpowiedzialności za zobowiązania użytkownika wobec stron trzecich lub zobowiązania stron trzecich wobec użytkownika.

Ograniczenie odpowiedzialności ma zastosowanie w przypadku, gdy występują roszczenia odszkodowawcze lub składane są reklamacje na podstawie niniejszej gwarancji lub jako roszczenie z tytułu czynu niedozwolonego (włączając w to zaniedbanie oraz ścisłą odpowiedzialność za produkt), roszczenie z umowy lub jakiegokolwiek inne roszczenie. Żadna osoba nie może uchylić lub zmienić tych ograniczeń odpowiedzialności. Niniejsze ograniczenie odpowiedzialności pozostaje w mocy nawet jeśli nabywca poinformował firmę Adam Hall lub jej autoryzowanego przedstawiciela o możliwości wystąpienia takich szkód. Te ograniczenia odpowiedzialności nie dotyczą roszczeń wynikających z wystąpienia obrażeń u osób.

Niniejsza Gwarancja daje Ci pewne specyficzne prawa. Mogą przysługiwać Ci również inne prawa, które różnią się między sobą zależnie od państwa nadania. Radzimy zapoznanie się z prawem właściwym krajowi zamieszkania, w celu uzyskania kompletnej wiedzy na temat przysługujących praw.

## ŻĄDANIE OBSŁUGI GWARANCYJNEJ

Aby uzyskać obsługę gwarancyjną swojego produktu, skontaktuj się z firmą Adam Hall lub jej autoryzowanym przedstawicielem od którego kupiłeś produkt.

ENGLISH

DEUTSCH

FRANCAIS

ESPAÑOL

POLSKI

ITALIANO

## PEDANE PASSACAVO DEFENDER

Scegliendo un prodotto della serie DEFENDER avete scelto il modo migliore per proteggere le vostre condutture. Nonostante le nostre pedane siano di facile e intuitivo utilizzo, di seguito troverete alcune informazioni utili per il funzionamento e l'uso.

CERNIERA AUTOPULENTE BREVETTATA (Brevetto Europeo n.: EP1366550) MADE IN GERMANY!

Tutte le nostre pedane sono realizzate in materiale plastico TPU (poliuretano termoplastico) stabile e resistente. In caso di necessità le pedane possono essere pulite utilizzando anche idropulitrici a vapore. Per garantire sempre un funzionamento perfetto l'area intorno alla cerniera e la chiusura devono sempre essere mantenute pulite. Se necessario lubrificare leggermente la cerniera e la chiusura. A tal fine si consiglia di utilizzare spray al teflon o al silicone normalmente disponibili in commercio. Eliminare il lubrificante in eccesso al termine dell'operazione per evitare eventuali scivolamenti.

## UTILIZZO E PORTATA MASSIMA

Si ricorda che nel caso in cui le pedane passacavo vengano utilizzato su strade o marciapiedi pubblici etc. è necessario utilizzare segnali / indicazioni di pericolo o ottenere le autorizzazioni necessarie. Per scegliere la pedana più adatta alle vostre necessità fare riferimento alla tabella allegata riportante le portate massime.

## PREMESSA

Si ricorda che le portate massime indicate sono riferite all'installazione su superfici piane e stabili. Nel caso di superfici irregolari o poco stabili la portata massima potrebbe ridursi notevolmente. Si consiglia quindi di effettuare test di resistenza prima dell'utilizzo.

## SICUREZZA ANTINCENDIO

Tutte le pedane passacavo DEFENDER sono realizzate in poliuretano e appartengono alla classe di infiammabilità B2 (disponibili anche in classe B1 - altamente infiammabili in base alla normativa DIN4102) e sono quindi resistenti a oli, acidi e benzina. La temperatura di utilizzo è compresa tra circa -40°C e +70°C. La durezza è pari a 88 Shore-A ± 4.



## UTILIZZO

Ogni pedana passacavo dispone dei connettori e dei relativi agganci che permettono di collegare le pedane in serie tra loro all'infinito. Si possono quindi creare anche delle vere e proprie serie di pedane. In generale, una volta installate le serie sono abbastanza stabili da poter essere calpestate senza problemi e senza la necessità di installare altri dispositivi. In casi particolari in cui sussiste il pericolo che durante l'utilizzo la serie di pedane possano spostarsi si consiglia di ancorarle al suolo con dispositivi accessori. Il Defender III dispone di appositi fori all'interno dei raccordi di collegamento per l'ancoraggio. Per tutti gli altri passacavi dovrà essere praticato un foro all'interno della canalina al quale verrà fissato l'ancoraggio. Dopo l'installazione (tranne per i modelli Compact e Office) i coperchi potranno essere rimossi tirandoli verso l'alto. I coperchi si incastrano automaticamente nella parte finale del passacavo e rimangono sollevati fino al termine delle operazioni, facilitando in questo modo la posa della condotta. Al termine dell'operazione richiudere i coperchi. Fare attenzione che la chiusura del coperchio sia correttamente ancorata alla base. Solo in questo modo si eviteranno aperture accidentali del coperchio durante le sollecitazioni.

## IMPIEGO PREVISTO

Tutte le pedane passacavo della serie DEFENDER sono pensate per proteggere linee di qualsiasi tipo da possibili danneggiamenti. Per rispondere alle più svariate necessità di utilizzo le nostre pedane passacavo rispettano le disposizioni della direttiva bassa tensione.

## RESPONSABILITÀ

Il singolo utente è responsabile del tipo di posa e delle linee che utilizza nonché delle condutture impiegate per proteggere l'impianto attraverso l'utilizzo delle pedane passacavo DEFENDER. Il costruttore garantisce unicamente la portata delle pedane in caso di utilizzo adeguato.

# DEFENDER SERIES

ENGLISH

DEUTSCH

FRANCAIS

ESPAÑOL

POLSKI

ITALIANO

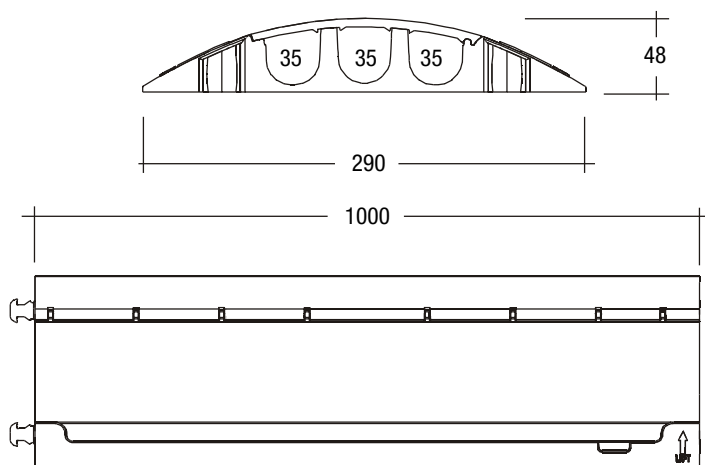
## DEFENDER MINI

Il piccolo tra i grandi. Leggero, professionale e universale. Il nuovo DEFENDER Mini risponde a tutte le esigenze di protezione di condutture di tipo professionale e amplia la serie DEFENDER aggiungendo una pedana passacavo compatta, estremamente leggera (solo 5 kg!) ma transitabile con il classico design nero e giallo. Come tutte le pedane della serie DEFENDER anche DEFENDER Mini è resistente a oli, acidi e benzina e dispone della cerniera di chiusura autopulente brevettata.

<b>MINI</b>	1000 x 290 x 48 mm	Peso: 5 kg
Portata: circa 2 t su una superficie 20 x 20 cm Non utilizzabile su strade pubbliche. Le auto possono comunque transitare sulla pedana.		
Impiego: fiere / marciapiedi / mercati / mercatini di natale / officine / capannoni / centri commerciali / grandi magazzini / etc.		



## DISEGNO TECNICO



## Accessori:



**DEFENDER MINI** finale maschio



**DEFENDER MINI** finale femmina

ENGLISH

DEUTSCH

FRANCAIS

ESPAÑOL

POLSKI

ITALIANO

# DEFENDER SERIES

ENGLISH

DEUTSCH

FRANCAIS

ESPAÑOL

POLSKI

ITALIANO

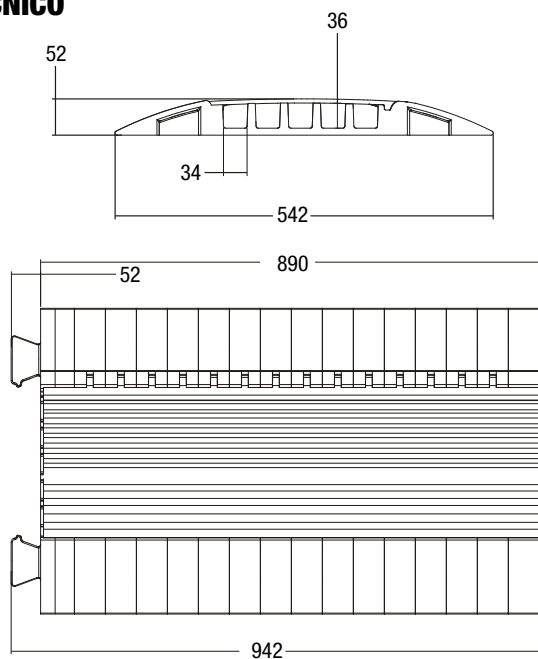
## DEFENDER MIDI

Defender Midi è stato studiato come soluzione intermedia tra il Defender Compact e il Defender III. Cinque canaline, altezza e peso ridotti rispetto al Defender III e connettori stampati sono le caratteristiche principali di questa pedana passacavo. La portata è simile a quella del Defender III!

<b>MIDI</b>	890 x 542 x 54 mm	Peso: 11,5 kg
Portata: circa 5t su una superficie 20 x 20 cm In generale qualsiasi veicolo autorizzato al transito su strada può transitare su questa pedana.		
Impiego: Come per il MINI ma anche in cantieri, strade, etc.		



## DISEGNO TECNICO



## Accessori:



**DEFENDER MIDI** angolo a 45°



**DEFENDER MIDI** finale

ENGLISH

DEUTSCH

FRANCAIS

ESPAÑOL

POLSKI

ITALIANO

# DEFENDER SERIES

ENGLISH

DEUTSCH

FRANCAIS

ESPAÑOL

POLSKI

ITALIANO

## DEFENDER COMPACT

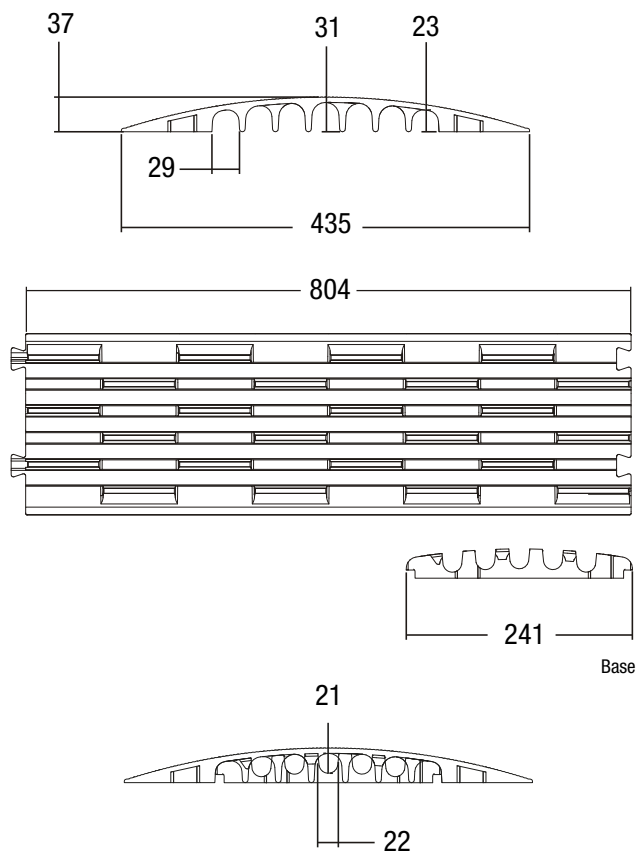
La variante più economica del sistema Defender III. Grazie alla base stampata millerighe questa pedana permette di posare sotto alla pedana passacavo Defender Compact molti tipi diversi di cavi e sopportare il peso di un veicolo in transito. Realizzata in poliuretano nero con superficie scanalata antiscivolo. L'ultima novità per carichi pesanti. La straordinaria parte inferiore del Defender Compact del peso di 3,5 kg diventa un elemento unico insieme alla pedana passacavo Defender Compact. La pedana passacavo scanalata Defender Compact ha già da sola un portata elevata. Adesso i carrelli elevatori e transpallet possono transitare sulla pedana senza problemi. Cinque canaline ognuna di 22 mm di diametro offrono lo spazio sufficiente per essere utilizzate nei modi più svariati. Nel caso in cui più pedane passacavo DEFENDER Compact vengano utilizzate in serie, queste rimangono al loro posto anche nel caso in cui vengano attraversate da una vettura.

Questa semplice protezione delle condutture fa parte delle cosiddette pedane a copertura. In questo caso, prima dovranno essere posate le condutture e successivamente queste verranno chiuse con COMPACT. Nel caso si sia deciso di utilizzare COMPACT con BASIS, collegare prima BASIS ad un serie stabile. Successivamente sarà possibile posare le condutture sulla base e ricoprire entrambi con COMPACT al termine dell'operazione. In questo modo le staffe di COMPACT si inseriranno all'interno del BASIS andando a formare un elemento unico e stabile. Per rendere la serie più stabile installare il COMPACT in posizione leggermente spostata rispetto al BASIS.

<b>COMPACT</b>	805 x 435 x 37 mm	Peso: 3,5 kg
Portata: pedoni, biciclette		
Impiego: Principalmente in padiglioni, fiere, etc.		



## DISEGNO TECNICO



**Accessori:**



**DEFENDER COMPACT** base

ENGLISH

DEUTSCH

FRANCAIS

ESPAÑOL

POLSKI

ITALIANO

# DEFENDER SERIES

ENGLISH

DEUTSCH

FRANÇAIS

ESPAÑOL

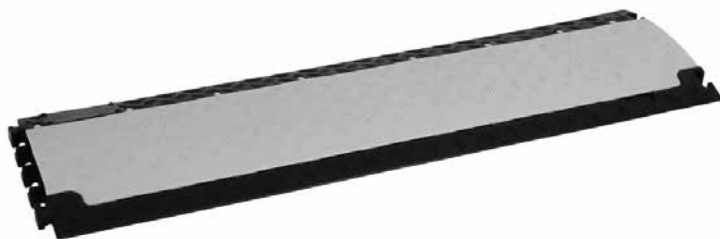
POLSKI

ITALIANO

## DEFENDER NANO

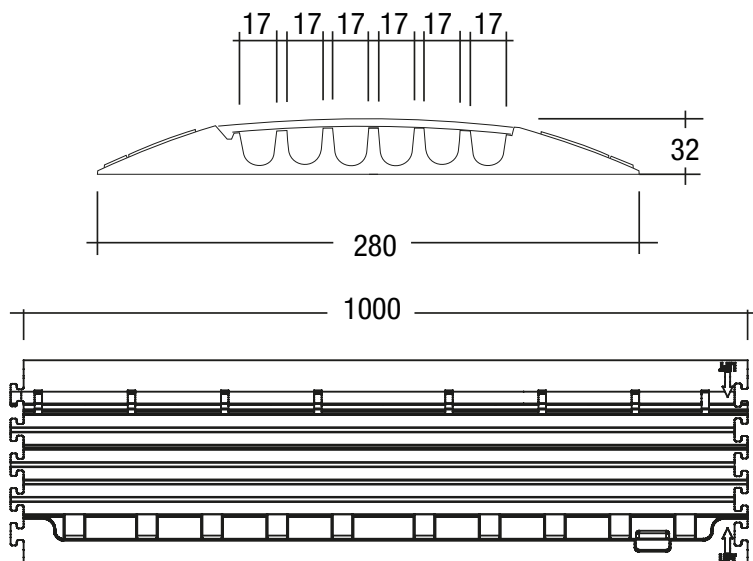
Il piccolo dal grande potenziale. Leggero, professionale, adatto per sedie a rotelle e universale. Il DEFENDER NANO, dotato di sei canaline, soddisfa tutte le necessità di protezione dei cavi di tipo professionale in spazi ridotti. Con questa soluzione le pedane passacavo della serie DEFENDER si amplia e aggiunge una pedana compatta, estremamente leggera (soltanto 4 kg!) e transitabile e con il classico design nero e giallo, completando in questo modo la serie nel segmento delle pedane compatte. Come tutte le pedane della serie DEFENDER anche il DEFENDER NANO è resistente a oli, acidi e benzina e dispone della cerniera di chiusura autopulente brevettata.

<b>NANO</b>	1000 x 280 x 32 mm	Peso: 4,47 kg
Portata: circa 2t su una superficie 20 x 20 cm Adatto al transito di transpallet. Non utilizzabile su strade pubbliche. Le auto possono comunque transitare sulla pedana.		
Impiego: fiere / marciapiedi / mercati / mercatini di natale / officine / capannoni / centri commerciali / grandi magazzini / etc.		





## DISEGNO TECNICO



## Accessori:



**DEFENDER NANO** finale



**DEFENDER NANO** Finale

ENGLISH

DEUTSCH

FRANCAIS

ESPAÑOL

POLSKI

ITALIANO

# DEFENDER SERIES

ENGLISH

DEUTSCH

FRANCAIS

ESPAÑOL

POLSKI

ITALIANO

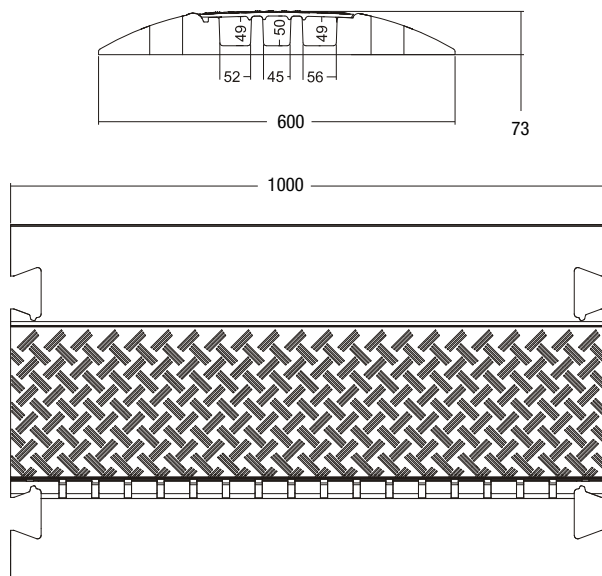
## DEFENDER III

Il più venduto. Realizzata in poliuretano nero con superficie strutturata antiscivolo e una copertura gialla ben visibile, questa pedana dispone di tre canaline. Le pedane passacavo possono essere collegate tra loro tramite perni di giunzione acquistabili singolarmente. Ogni pedana passacavo viene fornita con due perni di giunzione. La nuova copertura con cerniera brevettata (brevetto europeo n.: EP1366550) rimane aperta durante la posa dei cavi. Il sistema di chiusura a cerniera unisce una protezione migliore sia contro la sporcizia che contro i danneggiamenti della copertura rispetto al tradizionale sistema di chiusura a velcro. Un assortimento completo di accessori rendono il Defender III un sistema flessibile per la protezione di cavi di valore e multicore.

<b>DEFENDER III</b>	1000 x 600 x 73 mm	Peso: 22 kg
Portata: circa 5t su una superficie 20 x 20 cm In generale qualsiasi veicolo autorizzato al transito su strada può transitare su questa pedana. Rispetta le prescrizioni del codice della strada per quanto riguarda l'altezza. Elevata stabilità anche in caso di pedane in serie collegate tra loro.		
Impiego: Gli stessi previsti per il MIDI e il MINI ma anche con condutture di dimensioni maggiori.		



## DISEGNO TECNICO



### Accessori:



**DEFENDER III** perno di fissaggio della copertura



**DEFENDER III** perno di giunzione



**DEFENDER III** angolo a 45°



**DEFENDER III** finale

ENGLISH

DEUTSCH

FRANCAIS

ESPAÑOL

POLSKI

ITALIANO

# DEFENDER SERIES

ENGLISH

DEUTSCH

FRANCAIS

ESPAÑOL

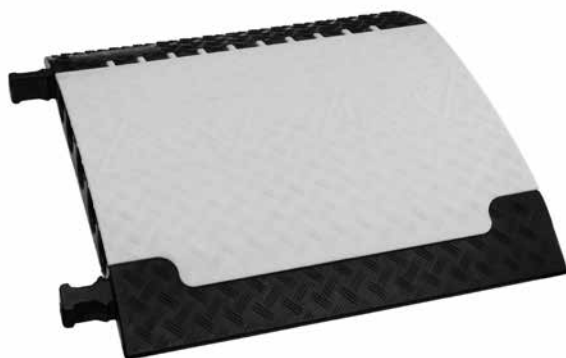
POLSKI

ITALIANO

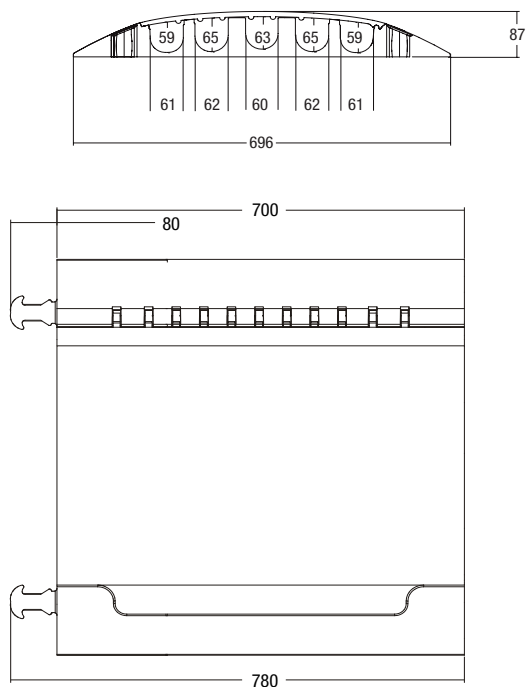
## DEFENDER XXL

Il nostro nuovo fiore all'occhiello della serie Defender è stato sviluppato insieme ad aziende del settore e a rinomate aziende di noleggio. Cinque canaline di dimensioni superiori di cui tre per tubi a C adatti alle esigenze dei vigili del fuoco ( $\varnothing$  62 mm). Anche i cavi dell'alta tensione sono perfettamente protetti da questa pedana. La portata del Defender XXL supera anche quella del modulo del Defender III.

<b>XXL</b>	700 x 696 x 87 mm	Peso: 21,4 kg
Portata: circa 5t su una superficie 20 x 20 cm In generale qualsiasi veicolo autorizzato al transito su strada e sufficientemente alto può transitare su questa pedana. Elevata stabilità anche in caso di pedane in serie collegate tra loro. Adatto per tubi a C.		
Impiego: Come per DIII. In questo caso fare attenzione al rispetto del codice della strada (altezza superiore ai 75 mm).		



## DISEGNO TECNICO



### Accessori:



**DEFENDER XXL finale**

ENGLISH

DEUTSCH

FRANCAIS

ESPAÑOL

POLSKI

ITALIANO

## DEFENDER ULTRA-L

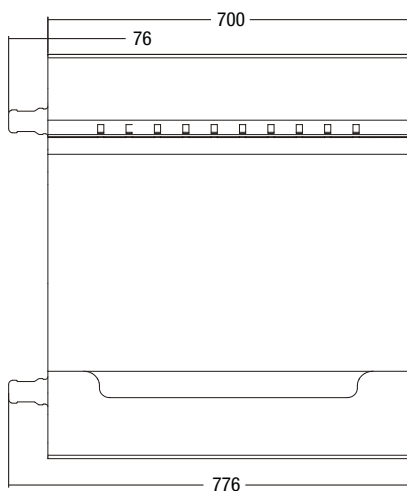
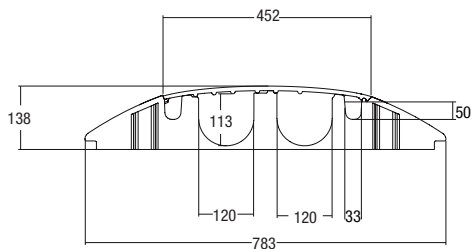
Questa pedana passacavo è stata sviluppata insieme ai fornitori delle grandi manifestazioni. La caratteristica principale di questa pedana capace di sopportare carichi pesanti sono le due canaline per cavi e tubi di dimensioni superiori adatte a conduttore fino a 120 mm (ad es. 2 tubi A), innesti fragili e scatole del connettore di dimensioni inferiori a 100 mm. Per l'utilizzo su strada pubbliche si raccomanda di rispettare il codice della strada in vigore nel paese di utilizzo.

<b>ULTRA L</b>	700 x 783 x 139 mm	Peso: 28,3 kg
<b>ULTRA L V2</b>	700 x 766 x 120 mm	
Portata: circa 5t su una superficie 20 x 20 cm. In generale qualsiasi veicolo autorizzato al transito su strada e sufficientemente alto può transitare su questa pedana. Elevata stabilità anche in caso di pedane in serie collegate tra loro.		
Impiego: Come per Defender XXL ma anche in cantieri, su strada etc. In questo caso fare attenzione al rispetto del codice della strada (altezza superiore ai 75 mm).		

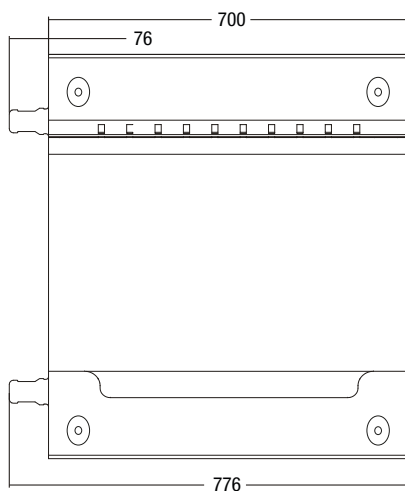
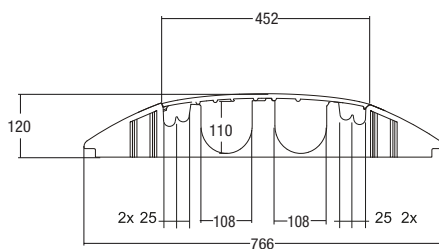


## DISEGNO TECNICO

**DEFENDER ULTRA-L (85600)**



**DEFENDER ULTRA-L V2 (85601)**



ENGLISH

DEUTSCH

FRANCAIS

ESPAÑOL

POLSKI

ITALIANO

# DEFENDER SERIES

ENGLISH

DEUTSCH

FRANCAIS

ESPAÑOL

POLSKI

ITALIANO

## DEFENDER OFFICE

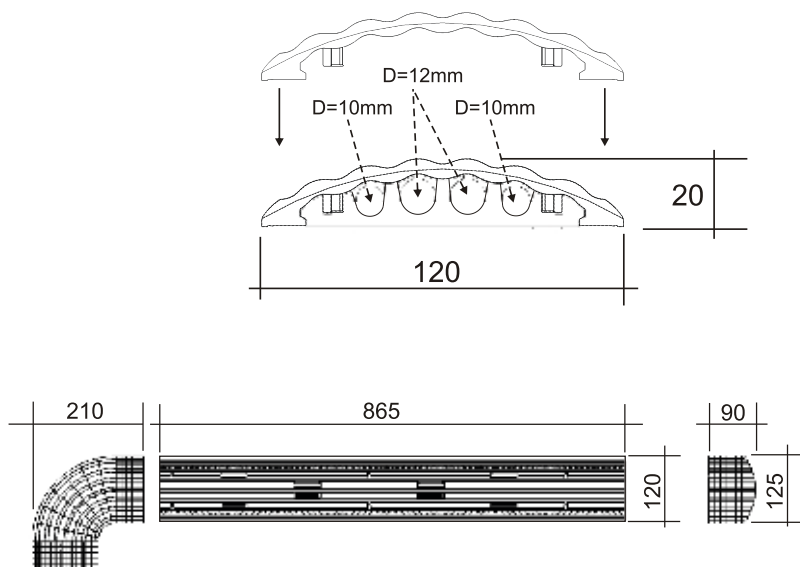
Defender Office, dotato di quattro canaline, risponde a tutte le esigenze e alla normativa in materia (secondo l'articolo 3 A1 del regolamento tedesco sulla sicurezza sui luoghi di lavoro) per la protezione professionale di cavi all'interno di uffici, sale riunioni o stand fieristici. La lunghezza della pedana passacavo e l'angolo a 90° possono essere adattati in ogni momento alle proprie esigenze specifiche. Come per il COMPACT dotato di BASE anche questa protezione per condutture è composta di due parti. Al contrario di tutte le altre pedane però questa soluzione non dispone di connettori. Per permettere la realizzazione di una serie di pedane stabili ed evitare danneggiamenti in caso di sollecitazioni, la copertura deve installata spostata di circa 10 cm rispetto alla base. In questo modo la copertura fungerà da connettore. La base e la copertura possono essere accorciati ciascuno di 10 mm. Su entrambe le parti sono presenti apposite linee che facilitano l'operazione. Si raccomanda di rispettare queste linee per garantire un funzionamento corretto.

<b>OFFICE</b>	870 x 110 x 20 mm	Peso: 1,5 kg
Portata: circa 1t su una superficie 20 x 20 cm. Pedana passacavo per ufficio, adatta anche per il transito di veicoli.		
Impiego: Adatto a tutte le applicazioni. Se installato in serie questa potrebbe non avere una tenuta eccellente per questo preferire l'utilizzo in uffici, ambienti fieristici, etc.		





## DISEGNO TECNICO



### Accessori:



**DEFENDER OFFICE** angolo a 90°



**DEFENDER OFFICE** finale

ENGLISH

DEUTSCH

FRANCAIS

ESPAÑOL

POLSKI

ITALIANO

# DEFENDER SERIES

ENGLISH

## GARANZIA DEL PRODUTTORE

Questa garanzia copre il prodotto Adam Hall della marca Defender da Lei acquistato. I diritti legali di garanzia verso il venditore non sono oggetto della presente garanzia. Questa garanzia costituisce piuttosto la base di altri diritti verso Adam Hall.

Con la presente garanzia, Adam Hall assicura che il prodotto acquistato presso Adam Hall o un partner di Adam Hall, in normali condizioni d'uso resterà privo di difetti di materiale e di lavorazione per un periodo di 5 anni dalla data di acquisto. Il periodo di garanzia inizia con la data dell'acquisto. La certificazione della data di acquisto, necessaria a rendere valido il diritto ai servizi di garanzia, avviene attraverso lo scontrino oppure con la bolla di spedizione riportanti la data di acquisto. L'acquirente ha diritto al servizio di garanzia alle condizioni e secondo le disposizioni riportate in questo documento, qualora sia necessaria una riparazione durante il periodo di durata della garanzia.

Questa garanzia vale solo per l'acquirente originale del prodotto distribuito da Adam Hall e non è trasferibile a terzi cui sia stata trasferita la proprietà del prodotto Adam Hall da parte dell'acquirente originale.

Durante il periodo di validità della garanzia, i componenti difettosi o il prodotto Adam Hall vengono riparati o sostituiti. Tutti i componenti sostituiti e/o rimossi durante la presente garanzia diventano proprietà di Adam Hall.

Nell'improbabile caso in cui il prodotto Adam Hall acquistato presenti ripetutamente un difetto, Adam Hall può decidere, a propria discrezione, di sostituire il suddetto prodotto con un prodotto simile che offra almeno le stesse prestazioni.

Adam Hall non garantisce il funzionamento privo di guasti o difetti del prodotto. Adam Hall esclude qualsiasi responsabilità per danni attribuibili alla mancata osservanza delle istruzioni incluse nella dotazione.

Questa garanzia non è estesa a quanto segue:

- Parti soggette ad usura (ad es. batteria, tubi)
- Apparecchi di cui sia stato rimosso o danneggiato il numero di serie o sui quali siano insorti difetti in conseguenza di un incidente
- Utilizzo non conforme o errato o altre cause esterne
- Apparecchi che non siano stati utilizzati conformemente ai parametri di esercizio, stabiliti nei documenti per l'utente inclusi nella dotazione del prodotto
- Apparecchi che siano stati riparati a causa dell'impiego di parti non prodotto
- Apparecchi che siano stati sottoposti a interventi di manutenzione, modifica o riparazione da terzi che non siano Adam Hall o un partner di assistenza autorizzato

Le presenti disposizioni e condizioni costituiscono l'accordo di garanzia completo ed esclusivo tra l'Acquirente e Adam Hall per il prodotto Adam Hall acquistato.

Questa garanzia è valida solo all'interno del territorio europeo. Fuori dall'Europa, si prega di rivolgersi ai nostri partner rivenditori ufficiali.

DEUTSCH

FRANÇAIS

ESPAÑOL

POLSKI

ITALIANO

## LIMITAZIONE DI RESPONSABILITÀ

Nel caso in cui, durante il periodo di garanzia, i prodotti hardware Adam Hall presentino difetti di materiale o di lavorazione (in base alla dichiarazione di garanzia precedente), il solo ed unico diritto del cliente previsto dalla presente garanzia è quello di riparazione o sostituzione dell'apparecchio. La massima responsabilità di Adam Hall è limitata, come espressamente indicato nella garanzia, al prezzo d'acquisto o ai costi per la riparazione o la sostituzione (e in questo caso per l'importo minore) dei componenti hardware difettosi in caso di uso corretto degli stessi.

Adam Hall non è responsabile per eventuali danni provocati dal prodotto o dal malfunzionamento dello stesso, compresi mancati guadagni, perdite e danni speciali indiretti o conseguenti. Inoltre Adam Hall è indenne da richieste avanzate da terzi o dal cliente in nome di terzi.

La presente limitazione di responsabilità vale indipendentemente dal fatto che i danni siano oggetto di procedimenti giudiziari o che siano oggetto di risarcimento danni ai sensi della presente garanzia o per atti illeciti (includendo negligenza e responsabilità oggettiva) o per pretese contrattuali o di altra natura, e non può essere né annullata né modificata. La presente limitazione di responsabilità è valida anche nel caso in cui l'utente abbia avvisato Adam Hall o un rappresentante autorizzato di possibili danni. Tale limitazione non è però valida in caso di richieste per risarcimento danni in relazione a danni a persone.

La garanzia del produttore permette di godere di determinati diritti. A seconda della giurisdizione competente (dello stato o della regione in cui si risiede) è possibile ottenere ulteriori diritti. Si consiglia quindi di consultare le leggi applicabili per determinare l'insieme dei diritti di cui si può godere.

## RICORSO ALLA GARANZIA

Per usufruire della garanzia rivolgersi direttamente a Adam Hall o al rivenditore autorizzato Adam Hall, dal quale è stato acquistato il prodotto.

# DEFENDER<sup>®</sup>SERIES

WWW.DEFENDER-PROTECTS.COM

**Adam Hall GmbH** | Daimlerstrasse 9 | 61267 Neu-Anspach | Germany  
Tel. +49(0)6081/9419-0 | Fax +49(0)6081/9419-1000  
web : [www.adamhall.com](http://www.adamhall.com) | e-mail : [mail@adamhall.com](mailto:mail@adamhall.com)