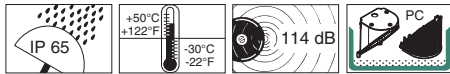
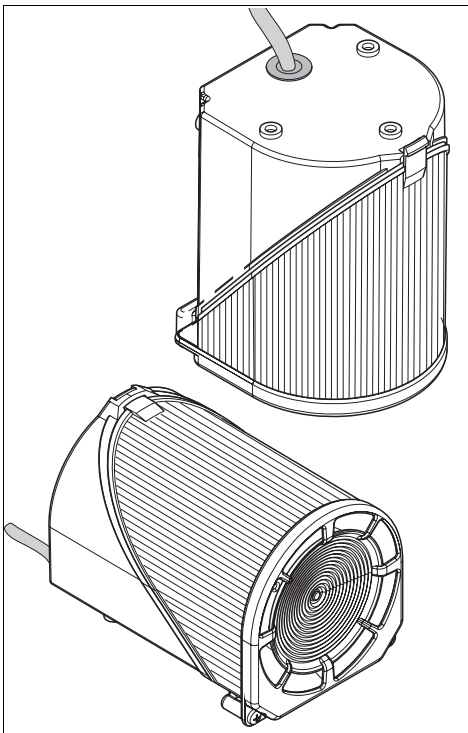




IEC 62080,  
EN 54-3, 33404-3



144 000 75 144 000 68 444 x00 75 444 x00 68



310.444.001.0109

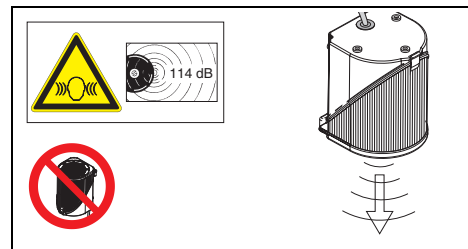
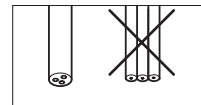
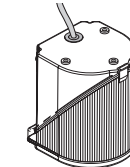
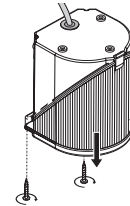
© D



WERMA Signaltechnik GmbH + Co. KG  
D-78604 Rietheim-Weilheim  
Telefon +49 (0)7424 / 9557-0  
Telefax +49 (0)7424 / 9557-44  
info@werma.com  
www.werma.com



- D Anschluss **ausschließlich** durch ausgebildete Elektro-Fachkräfte.
- GB Electrical connection is to be made by trained electrical specialists **only**.
- F Le branchement doit **uniquement** être effectué par des professionnels.
- I Il collegamento deve essere eseguito **solo** da elettricisti specializzati.
- E La conexión **sólo** debe ser realizada por electricistas debidamente formados.
- PT A ligação deve ser feita **exclusivamente** por profissional eléctrico especializado.
- NL De aansluiting mag **enkel** gebeuren door erkende vakmensen.
- CZ Připojení smí **provádět** pouze kvalifikovaný personál.
- PL Podłączenie **wyłącznie** przez specjalistów-elektryków.
- FI Liittäminen kuuluu **ainoastaan** koulutettujen sähköalan ammattilaisten tehtäviin.
- RUS Подключение проводится только специалистом-электриком.
- TR Bağlantı **sadece** eğitimli elektrik teknisyenleri tarafından yapılmalıdır.
- CN 布线需由专业电工执行



144 000 67	115 V~, 50 Hz/60 Hz
144 000 68	115/230 V~, 50 Hz/60 Hz
144 000 75	24 V=, < 0,5 A
444 x00 67	115 V~, 50 Hz/60 Hz
444 x00 68	230 V~, 50 Hz/60 Hz
444 x00 75	24 V=, < 0,5 A

I (U)

24 V=	60 mA	100 mA
24 V~		
115 V~	30 mA	
115 V-		55 mA
230 V-	30 mA	
230 V~		30 mA



(vgl. Abb. 4,8 / see Fig. 4,8 / ref. III 4,8)

Tone	Code	Tonart	Fre-	Beschreibung	Einsatz	Ton	Ton
Tone		Tone type	quenz	Description	Use	Tone	Tone
1		Tonalité	Frequen-	Déscription	Utilisation	2	3
			cies				
			Fré-				
			quence				
1	00000	Dauerton, continuus, continu	200		BS 5839-1:2002, VDS	440Hz cont.	554Hz cont.
2	00001	ansteigend, rising, montant	800 & 970	7Hz		14	800Hz cont.
3	00010	ansteigend, rising, montant	800 & 970	1Hz		14	800Hz cont.
4	00011	Dauerton, continuus, continu	2850			14	9
5	00100	ansteigend, rising, montant	2400 to 2850	7Hz	VDS	4	2400Hz cont.
6	00101	ansteigend, rising, montant	2400 to 2850	1Hz		4	2400Hz cont.
7	00110	ansteigend, rising, montant	500 to 1200	3s, then 0.5s OFF (then repeat)		14	8
8	00111	abfallend, falling, incliné	1200 to 500	1Hz	VDS	14	7
9	01000	alternierend, alternating, alternant	2400 & 2850	2Hz		4	2400Hz cont.

10	01001	pulsierend, pulse, pulsant	970	0.5Hz (1s On/1s Off)	BS 5839 Teil 1 1988	14	800Hz cont.
11	01010	alternierend, alternating, alternant	800 & 970	1Hz	BS 5839 Teil 1 1988	14	800Hz cont.
12	01011	pulsierend, pulse, pulsant	2850	0.5Hz		4	22
13	01100	pulsierend, pulse, pulsant	970	0,25s On/1s Off		14	800Hz cont.
14	01101	Dauerton, Continuous, Continu	970		BS 5839-1:2002 PFEER - Toxic gas	10	8
15	01110	alternierend, alternating, alternant	554 & 440		France NFS	14	800Hz cont.
16	01111	pulsierend, pulse, pulsant	660	150ms On/150ms Off	Swedish	16	14
17	10000	pulsierend, pulse, pulsant	660	1.8s On/1.8s Off	Swedish	17	14
18	10001	pulsierend, pulse, pulsant	660	6.5s On/13s Off	Swedish	18	14
19	10010	Dauerton, continuous, continu	660		Swedish	19	31
20	10011	alternierend, alternating, alternant	554 & 440	0.5Hz		20	19
21	10100	pulsierend, pulse, pulsant	660	1Hz	Swedish	21	4
22	10101	pulsierend, pulse, pulsant	2850	150ms On/100ms Off	GB	14	4
23	10110	ansteigend, rising, montant	800 to 970	50Hz (niedrig, low, faible)	BS 5839 Teil 1 1988	14	800Hz cont.
24	10111	ansteigend, rising, montant	2400 to 2850	50Hz (hoch, high, fréquence élevée)		4	2400Hz cont.
25	11000	pulsierend, pulse, pulsant	970	3x500ms ON/500ms OFF 1.5s Pause, dann Wiederholung, 3x500ms ON/500ms OFF 1.5s de pause et ensuite répétition (niedrig, low, faible)	ISO 8201/ US Temporal	26	14
26	11001	pulsierend, pulse, pulsant	2850	3x500ms ON/500ms OFF 1.5s Pause, dann Wiederholung, 3x500ms ON/500ms OFF 1.5s de pause et ensuite répétition (hoch, high, fréquence élevée)	ISO 8201/ US Temporal	25	4
27	11010	Dauerton, continuous, continu	4000			27	6
28	11011	ansteigend, rising, montant	2000 to 2850	7Hz		2000 Hz cont.	4
29	11100	alternierend, alternating, alternant	988 & 645	2Hz		988Hz cont.	645Hz cont.

30	11101	alternierend, alternating, alternant	510 & 610	2Hz		510Hz cont.	610Hz cont.
31	11110	alternierend, alternating, alternant	800 & 970	2Hz	5839-1: 2002	800 cont.	14
32	11111	alternierend, alternating, alternant	800 & 1200	1Hz		800 cont.	1200Hz cont.

