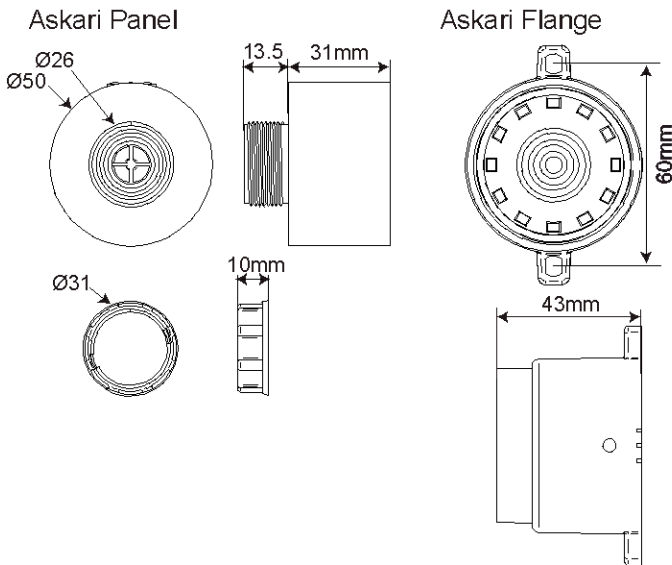


ASKARI Panel & Flange

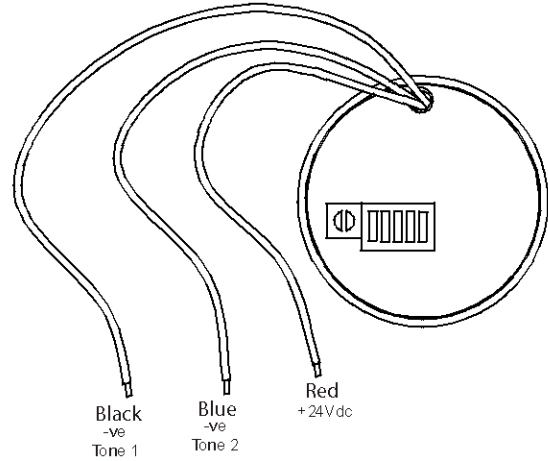
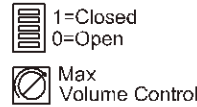
Specification

Operating Voltage	9-28Vdc
Operating Current	5-36mA
Current Consumption Nom	See Tones Table Below
Operating Temperature	-25°C - +70°C
Monitoring Mode	Reverse Polarity
Second Tone	Connect third wire to -ve
Internal Fuse	N/A
Case Material	ABS
Environment Category	Type A/B
Ingress Protection	IP65

Dimensions



Connection Details

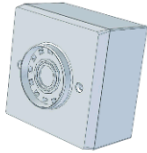


Tones table

Primary tone	Secondary tone	Switch setting	Tone Description				Main Application	Askari			
			12345	Pattern	Frequency Hz	Rate		Description	Panel		Flange
							mA	dB(A)	mA	dB(A)	
1	14	11111	Alternating	800 & 970	2Hz (250ms-250ms)		BS Fire tone	12	93	12	93
2	14	11110	Sweep	800 to 970	7Hz (7/s)		BS Fire tone	14	97	13	92
3	14	11101	Sweep	800 to 970	1Hz (1/s)		BS Fire tone	12	97	11	94
4	14	11100	Continuous	2850	S teady			31	98	28	95
5	4	11011	Sweep	2400 to 2850	7Hz			36	94	35	100
6	4	11010	Sweep	2400 to 2850	1Hz			35	104	34	102
7	14	11001	Slow whoop	300 to 1200	3s sweep, 0.5 s silence, then repeat		Dutch Fire tone	12	106	12	95
8	14	11000	Sweep	1200 to 500	1Hz		Din tone	15	99	16	94
9	4	10111	Alternating	2400 & 2850	2Hz (250ms-250ms)			29	98	31	97
10	14	10110	Intermittent	970	0.5Hz (1s On/1s Off)			10	99	10	92
11	14	10101	Alternating	800 & 970	1Hz (500ms-500ms)		BS Fire tone	12	93	12	92
12	4	10100	Intermittent	2850	0.5Hz (1s On/1s Off)			20	94	19	94
13	14	10011	Intermittent	970	0.8Hz (250ms On/1s Off)			6	92	5	92
14	14	10010	Continuous	970	S teady		BS Fire tone	14	93	14	92
15	14	10001	Alternating	554 & 440	100ms-400ms		French fire tone	17	98	17	94
16	16	10000	Intermittent	660	3.3Hz (150ms On/150ms Off)		S wedish fire tone	8	95	7	92
17	17	01111	Intermittent	660	0.28Hz (1.8s On/1.8s Off)		S wedish fire tone	8	96	8	93
18	18	01110	Intermittent	660	0.05Hz (13s Off / 6.5Hz On)		S wedish fire tone	12	96	11	93
19	19	01101	Continuous	660	S teady		S wedish fire tone	12	96	11	93
20	20	01100	Alternating	554 & 440	0.5Hz (1s On/1s Off)		S wedish fire tone	16	98	16	94
21	21	01011	Intermittent	660	1Hz (500ms-500ms)		S wedish fire tone	8	96	7	93
22	14	01010	Intermittent	2850	4Hz (150ms On/100ms Off)		Pelican crossing	20	93	18	94
23	14	01001	Sweep	800 to 970	50Hz		BS Fire tone	13	96	12	92
24	4	01000	Sweep	2400 to 2850	50Hz			36	104	35	99
25	25	00111	Intermittent	970	3 x 500ms pulses followed by 1.5s silence then repeat		ISO 8201	9	93	9	92
26	26	00110	Intermittent	2850	3 x 500ms pulses followed by 1.5s silence then repeat		ISO 8201	7	98	7	93
27	27	00101	Continuous	4000	S teady			8	92	8	92
28	10	00100	Alternating	800 & 970	2Hz (250ms-250ms)		BS Fire tone	12	93	12	92
29	33	00011	Alternating	990 & 650	2Hz (250ms-250ms) (Symphoni tones)		BS Fire tone	22	97	21	96
30	35	00010	Alternating	510 & 610	2Hz (250ms-250ms) (S quashni Micro tones)		BS Fire tone	16	96	18	93
31	31	00001	Sweep	300 to 1200	1Hz			23	99	22	94
32	32	00000	Continuous	4000	S teady			17	96	17	94



Askari Compact (AC) Askari Compact (AC/SV)

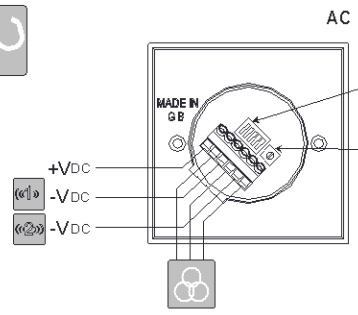
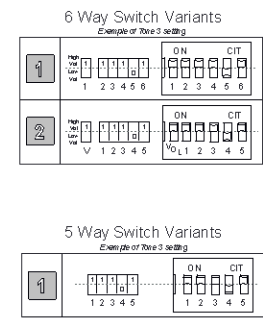
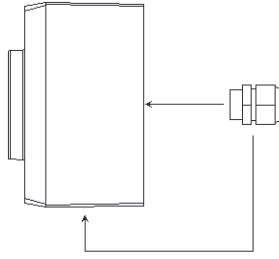
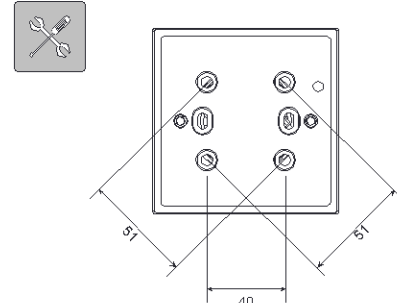
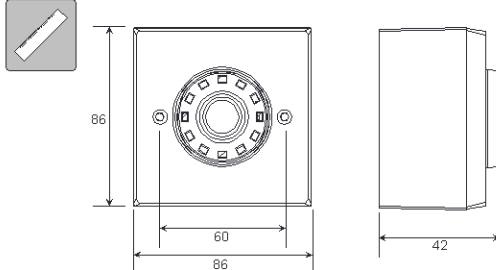


AC: 0832-CPD-0138
AC/SV: 0832-CPD-1653

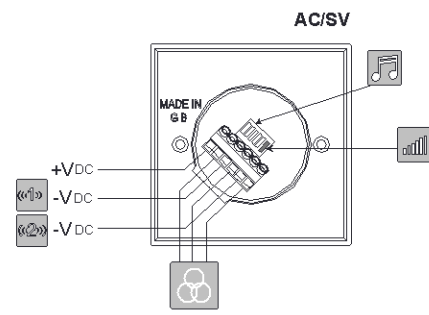
EN54-3 Fire Alarm Device - Sounder
Dispositif d'alarme incendie EN54-3 – Avertisseur d'incendie
EN54-3 Feueralarmgerät – Töner
Dispositivo di allarme antincendio a norma EN54-3 - Sirena
EN54-3 Brandalarm – sounder
Dispositivo de alarma de incendios EN54-3 – Timbre de alarma
EN54-3 Brandvarnare – Signalgivare
EN54-3 Urządzenie systemów SAP - Sygnalizator

	EN54-3	
	18 ~ 28VDC 9 ~ 15VDC	9 ~ 28VDC
	35mA (Max)	
	0.28mm ² ~ 2.5mm ²	
	Type A = -10°C ~ +55°C	
	ABS V0	
	Type A = 1P21C	
	6	32

*Product exceeds minimum requirements of EN54-3
See www.cooperfulleon.com
Le produit dépasse les exigences minimum de EN54-3
Voir www.cooperfulleon.com
Das Erzeugnis erfüllt die Mindestanforderungen von EN54-3.
Siehe www.cooperfulleon.com
Il prodotto supera i requisiti minimi previsti dalla norma EN54-3
Vedi www.cooperfulleon.com
Product overtreft de minimale vereisten van EN54-3.
Zie www.cooperfulleon.com
El producto excede los requisitos mínimos de la norma EN54-3
Véase www.cooperfulleon.com
Produkten överträffar minsta krav enligt EN54-3
Se www.cooperfulleon.com
Parametry techniczne produktu przekraczają minimalne
wymagania normy PN EN54-3, szczególnie www.cooperfulleon.com



AC



AC/SV

								@20°C	
(1)	(2)	(3)	(4)	(5)	(6)	(7)	(8)	(9)	(10)
								mA	dB(A)
								EN54-3 Min SPL @ 28Vdc @ Max Volume @ Loudest note dB(A)	
1	14	11111		800 & 970Hz	2Hz (250ms~250ms)	BS Fire Tone	18	95	+
2	14	11110		800 & 970Hz	7Hz (7/s)	BS Fire Tone	18	97	+
3	14	11101		800 & 970Hz	1Hz (1/s)	BS Fire Tone	18	97	94
4	14	11100		2650Hz	Steady	General Purpose	32	105	+
5	4	11011		2400 ~ 2850Hz	7Hz	General Purpose	30	106	+
6	4	11010		2400 ~ 2850Hz	1Hz	General Purpose	30	106	+
7	14	11001		500 ~ 1200Hz	3s Sweep, 0.5s silence, then repeat	Dutch fire (NEN 2575)	20	96	94
8	14	11000		1200 ~ 500Hz	1Hz	German fire (DIN 33 404)	16	95	93
9	4	10111		2400 & 2850Hz	2Hz (250ms~250ms)	General Purpose	30	105	+
10	14	10110		970Hz	0.5Hz (1s On / 1s Off)	PFEER alert	12	93	+
11	14	10101		800 & 970Hz	1Hz (500ms~500ms)	BS Fire Tone	18	95	+
12	4	10100		2650Hz	0.5Hz (1s On / 1s Off)	General Purpose	24	105	+
13	14	10011		970Hz	0.8Hz (250ms On / 1s Off)	General Purpose	8	90	+
14	14	10010		970Hz	Steady	PFEER toxic gas	20	94	95
15	14	10001		554 & 440Hz	100ms ~ 400ms	French fire (NFS 32-001)	12	91	+
16	16	10000		660Hz	3.3Hz (150ms On / 150ms Off)	Swedish (Air Raid)	9	88	+
17	17	01111		660Hz	0.28Hz (1.8s On / 1.8s Off)	Swedish (Local warning)	12	90	+
18	18	01110		660Hz	0.05Hz (13s Off / 6.5Hz On)	Swedish (Re-mess)	14	91	+
19	19	01101		660Hz	Steady	Swedish (All Clear)	14	91	+
20	20	01100		554 & 440Hz	0.5Hz (1s On / 1s Off)	Swedish (Tum Out)	13	91	+
21	21	01011		660Hz	1Hz (500ms ~ 500ms)	Swedish General Purpose	10	89	+
22	14	01010		2650Hz	4Hz (150ms On / 100ms Off)	Pelican Crossing	22	105	+
23	14	01001		800 ~ 970Hz	50Hz	BS Fire Tone	18	96	+
24	4	01000		2400 ~ 2850Hz	50Hz	General Purpose	25	106	+
25	25	00111		970Hz	3 x 500ms pulses followed by 1.5s silence then repeat	ISO 8201	14	92	+
26	26	00110		800 ~ 970Hz	3 x 500ms pulsed sweep followed by 1.5s silence then repeat	ISO 8201	20	104	+
27	27	00101		970 & 800Hz	3 x 500ms pulsed two tone followed by 1.5s silence then repeat	ISO 8201	35	101	+
28	10	00100		800 & 970Hz	2Hz (250ms ~ 250ms)	BS Fire Tone	17	95	+
29	988Hz	00011		990 & 650Hz	2Hz (250ms ~ 250ms) (Symphoni Tones)	BS Fire Tone	17	97	94
30	510Hz	00010		510 & 610Hz	2Hz (250ms ~ 250ms) (Squashni Micro Tones)	BS Fire Tone	12	98	94
31	31	00001		300 ~ 1200Hz	1Hz	General Purpose	13	96	+
32	510Hz	00000		510 & 610Hz	1Hz Alternating (500ms ~ 500ms)	BS Fire	12	99	+

(i) Tones certified under the CPD (Fire Alarm Applications) are shown in the column marked EN54-3
(ii) All other SPL measurements are taken 'on axis' & are not third party verified.
(iii) Detailed EN54-3 polar SPL measurements are available in M96-024
(iv) A SPL of at least 65dB(A) is achieved in at least one direction at minimum volume/voltage.
(v) Les tons certifiés dans le cadre de la DPC (application alarme incendie) sont indiqués dans la colonne intitulée EN54-3.
(vi) Toutes les autres mesures NPA sont relevées « sur axe » et ne sont pas vérifiées par un tiers.
(vii) Les mesures NPA polaires détaillées EN54-3 sont disponibles dans S M96-024
(viii) Die nach CPD (Feuermeldaranwendung) zertifizierten Töne sind in Spalte EN54-3.
(ix) Alle anderen Schalldruckmessungen wurden vom akustischen Mittelpunkt ab gelesen und von keiner unabhängigen Stelle verifiziert.
(x) Detaillierte Polar-SPL-Messungen gemäß EN54-3 sind erhältlich in M96-024
(xi) I toni della sirena certificati CPD (applicazione allarme antincendio) sono indicate nella colonna contrassegnata con EN54-3
(xii) Tutte le altre misurazioni SPL sono state rilevate "sull'asse" e non sono state verificate da terzi.
(xiii) Le misurazioni SPL polari ai sensi della norma EN54-3 sono disponibili in M96-024
(xiv) U vindtönen die onder CPD (brandalarmtoepassing) zijn gecertificeerd, in de kolom waar EN54-3 staat vermeld.
(xv) Alle andere SPL-afmetingen zijn via de 'as' gedaan en niet door derden geverifieerd.
(xvi) Uitgebreide polaire SPL-afmetingen voor EN54-3 zijn beschikbaar in M96-024
(i) Los sonidos certificados por el CPD (aplicación para alarmas de incendios) se muestran en la columna marcada con EN54-3.
(ii) Cualquier otra medida del SPL (nivel de intensidad acústica) se toma "sobre eje" y no está verificada por terceras partes.
(iii) Detallierade polära mätningar av ljudtrycket enligt EN54-3 finns under M96-024
(iv) Signaler som är certifierade för CPD (brandvarnare) visas i kolumnen märkt EN54-3.
(v) Alla övriga mätningar av ljudtrycket har genomförts "direkt intill" och är inte bekräftade av tredje part.
(vi) Detaljerade polära mätningar av ljudtrycket enligt EN54-3 finns under M96-024
(vii) Sygnaly tonowe zgodne z certyfikatem CPD dla systemów sygnalizacji pożaru wskazane są w kolumnie EN54-3.
(viii) Wszystkie pomiary SPL są wykonane w osi sygnalizatora i nie były poddane weryfikacji przez inną stronę.
(ix) Szczegóło pomiary kątowych SPL wg EN54-3 dostępne są w M96-024
CE marking under the CPD was affixed on: (see batch code on product)
La marque CE dans le cadre de la DPC a été apposée le: (voir code de lot sur le produit)
CE-Kennzeichnung unter dem CPD angebracht am: (siehe Chargencode am Erzeugnis)
La marcatura CE ai sensi della direttiva CPD è stata apposta su: (vedi codice sul prodotto)
CE-markering onder CPD is toegevoegd op: (zie batchcode op het product)
CE-märkning enligt CPD fästes på: (se satskod på produkten)
Oznakowanie CE i CPD zostało naniesione na produkcie.
Fulleon Ltd, Cwmbran, South Wales, U.K.
www.cooperfulleon.com