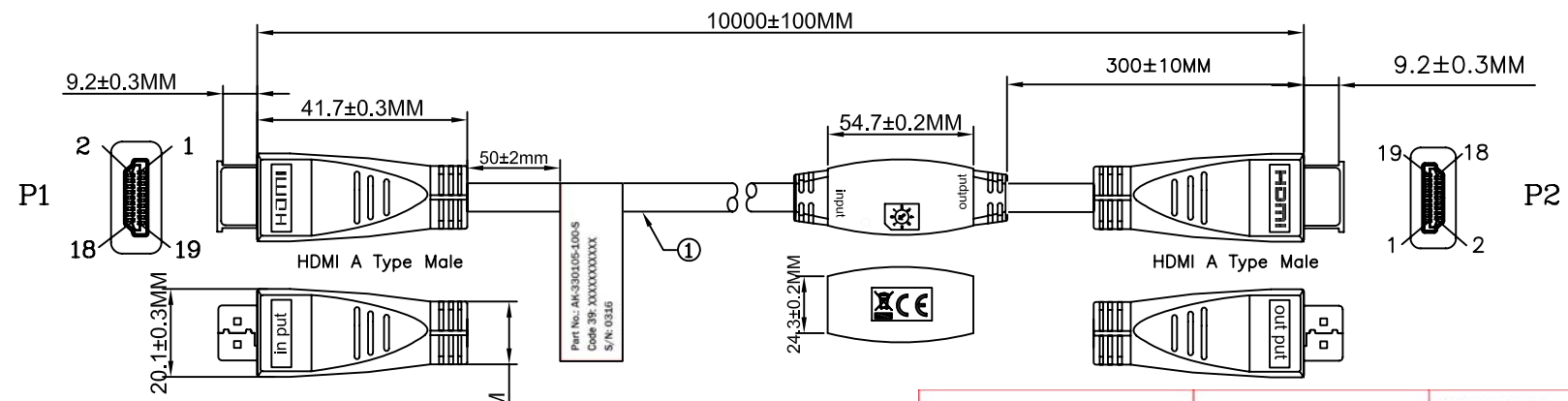


**RoHS & REACH Compliant**

Signature	Revision History	Date	Rev.
LIBRA	For Bulk Production	Dec.14,2016	01



Part No.: AK-330105-100-S  
Code 39: XXXXXXXXXXXXX  
S/N: 0316

Part No.: AK-330105-100-S  
Code 39: XXXXXXXXXXXXX  
S/N: 0316

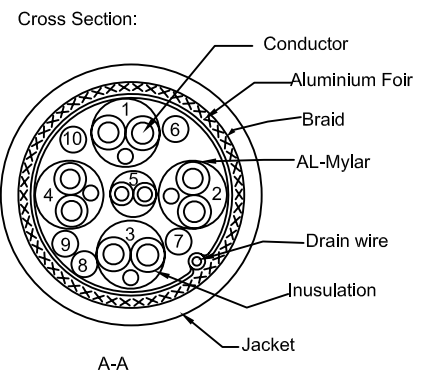
www.assmann.com  
ASSMANN Electronic GmbH  
Auf dem Schüttel 3,  
58513 Lüdenscheid,  
Germany  
Manufactured in P.R.C.

PIN Assignment

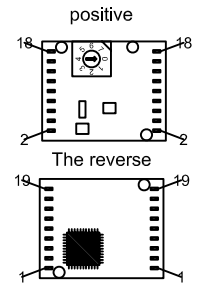
P1	input	output	P2
1	WHITE	1	WHITE
2	RED	2	RED
3	GROUND	3	GROUND
4	WHITE	4	WHITE
5	BROWN	5	BROWN
6	GROUND	6	GROUND
7	WHITE	7	WHITE
8	BLUE	8	BLUE
9	GROUND	9	GROUND
10	WHITE	10	WHITE
11	GREEN	11	GREEN
12	GROUND	12	GROUND
13	BLACK	13	BLACK
14	WHITE	14	WHITE
15	RED	15	RED
16	GRAY	16	GRAY
17	YELLOW	17	YELLOW
18	ORANGE	18	ORANGE
19	PURPLE	19	PURPLE
SHELL		GROUND+JUMP WIRE	SHELL

NOTES:

- CABLE: UL20276 (28AWG\*1PR+EAM)\*4C+28AWG\*1PR+28AWG\*5C+AEB 50%Aluminum made up OD:7.3MM black printing:HIGH SPEED HDMI TM CABLE .....
- CONNECTOR:  
P1 ,P2 : HDMI 19 p M black rubber core welding wire type Pin needle gold-plated 15 u gold-plated G/F with iron iron shell sheath (tin) (with four card hook)
- HOOD: MOLDED TYPE,PVC 45P,COLOR:BLACK.
- ELECTRICLE TEST:  
(1)100% OPEN SHORT & MIS WIRE TEST.  
(2)CONTACT RESISTANCE 5 ohm Max .  
(3)INSULATION RESISTANCE 10M ohm Min .  
(4)HI-POT TEST:DC 300V/10ms



IC  
东莞市南麟电子有限公司  
LN6214P332P (3.3V SOT-89-3L)  
DS16EV5110ASQE



	Date	Name	Part No. <b>AK-330105-100-S</b> EAN:4016032295792		
Drawn by	Dec.14,2016	Lyw			
Checked by	Dec.14,2016	Saul			
Approved by	19Dec, 2016	Joe	Title HDMI M TO M 28Awg Cable 1.3 b Gold-plated		
<b>ASSMANN</b> Electronic GmbH			Scale	N/A	Sheet 1/2
			Unit	MM	

# Package Details

RoHS & REACH Compliant

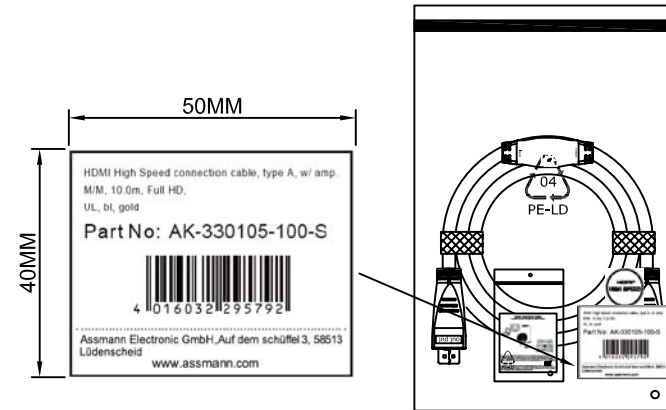
Signature	Revision History	Date	Rev.
LIBRA	For Bulk Production	Dec.14,2016	01

## Single Cable

P/N	Cable Length	Rolling Size (Single Cable)	Polybag Type (Single Cable)	Bag Size (Single Cable)	Article Weight (Single Cable)
AK-330105-100-S	10m	mm max.	ednet Polybag (Stick type)	300*240*0.06mm	0.64 kg

## Inner Packing Unit

P/N	Cable Length	Quantity (Inner Packing Unit)	Type (Inner Packing Unit)	Size (Inner Packing Unit)	Weight (Inner Packing Unit)
xxx	Xm	pcs	Polybag (Heat Sealed)	mm	kg



PE bag

## CARTON DETAILS

P/N	Cable Length	Quantity (Carton)	Measurement (Carton)	N.W. (Carton)	G.W. (Carton)
AK-330105-100-S	10m	15pcs	500*320*210MM	9.6 kg	10.4 kg

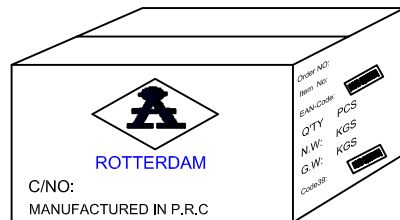
EAN-Code:



210\*297MM color specifications



The instructions



Code39:



	Date	Name	Part No.
Drawn by	Dec.14,2016	Lyw	AK-330105-100-S
Checked by	Dec.14,2016	Saul	EAN:4016032295792
Approved by	19Dec, 2016	Joe	
<b>ASSMANN</b> Electronic GmbH			Title
			HDMI M TO M 28Awg Cable 1.3 b Gold-plated
Scale		N/A	Sheet 2/2
Unit		MM	

- \* "ROTTERDAM" is for Sea Freight shipment
- \* "COLOGNE" is for Air Freight shipment
- \* "LUDENSCHIED" is for Fedex or UPS shipment