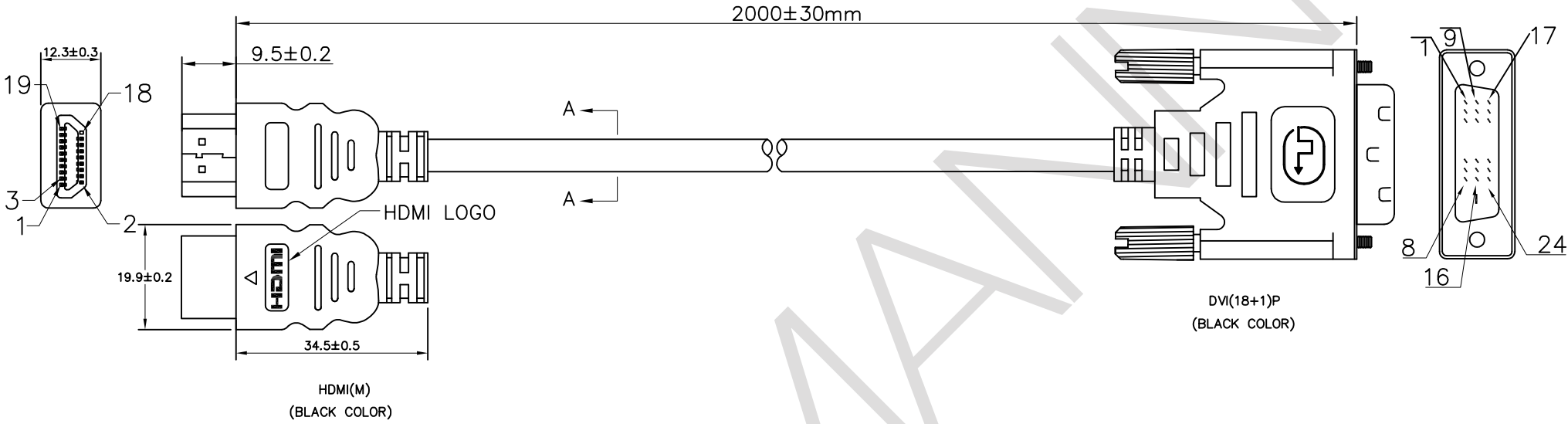


REACH&RoHS Compliant

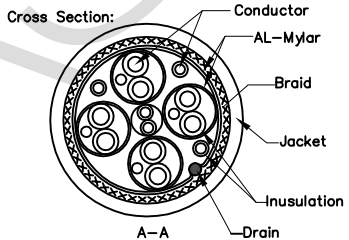


NOTE:

1. CABLE: 30AWG(1/0.254BC),UL20276,AL+B-FOIL,(30AWG*1P+D+AL)*4P+30AWG*1P+30AWG*3C,BLACK COLOR,OD=6.0±0.2mm,PVC JACKET(Conductor: BC).
CABLE MUST PRINT: E***** AWM 20276 80°C 30V VW-1
2. LENGTH: 2M.
3. CONNECTORS: HDMI(M)*1PCS(BLACK INSULATOR),DVI(18+1)P*1PCS(BLACK INSULATOR)(SHELL GOLD PLATED).
4. MOLD: MOLDING TYPE.
5. SCREW: #4*40 INCH SCREW*2PCS.
6. CONTACTS:

HDMI(M)	1	3	2	4	6	5	7	9	8	10	12	11	17	18	15	16	19	64
DVI(18+1)P	2	1	3	10	9	11	18	17	19	23	24	22	15	14	6	7	16	64
	PAIR		G	PAIR		G	PAIR		G	PAIR		G	PAIR		3C			SHELL

7. Test machine test condition.
 - A.100% OPEN,SHORT&INTERMITANCE TEST.
 - B.CONDUCTOR RESISTANCE: 3ohms MAX:
 - C.INSULATION RESISTANCE: 5M Min/,10ms:
8. ALL MUST BE MEET ON ROHS COMPLIANT.



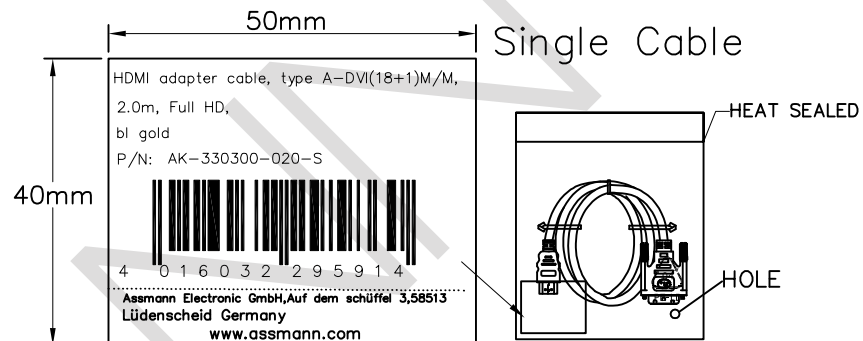
	Date	Name	Part No.		
Drawn by	2017.05.27	yuwenming	AK-330300-020-S		
Checked by	2017.05.27	Zhouwei	EAN: 4016032295914		
Approved by	05June, 2017	Joe	Title		
ASSMANN Electronic GmbH			HDMI adapter cable, type A-DVI(18+1)		
			Scale	N/A	Sheet
			Unit	MM	1/2

Package Details

REACH&RoHS Compliant

Single Cable

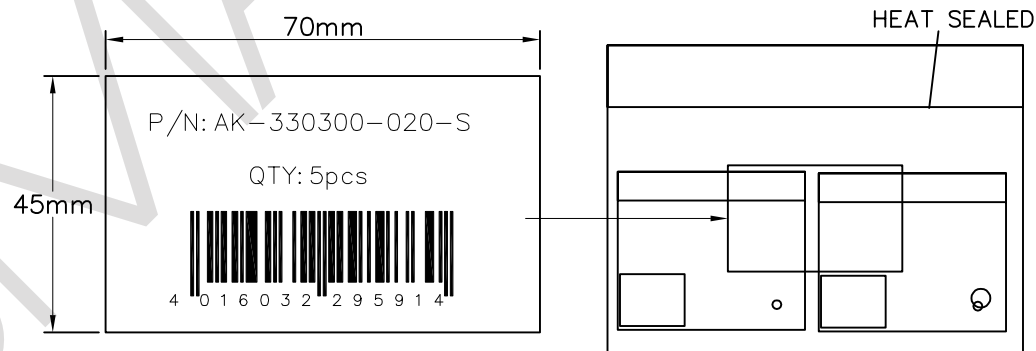
P/N	Cable Length	Rolling Size (Single Cable)	Polybag Type (Single Cable)	Bag Size (Single Cable)	Article Weight (Single Cable)
AK-330300-020-S	2m	220mm max.	Ordinary Polybag (Heat Sealed)	190*300*0.05mm	0.114kg



Inner Packing Unit

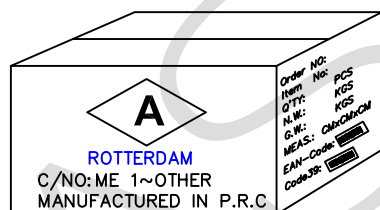
P/N	Cable Length	Quantity (Inner Packing Unit)	Type (Inner Packing Unit)	Size (Inner Packing Unit)	Weight (Inner Packing Unit)
AK-330300-020-S	2m	5 pcs	Polybag (Heat Sealed)	280*360*0.05mm	0.6kg

Inner Packing Unit



CARTON DETAILS

P/N	Cable Length	Quantity (Carton)	Measurement (Carton)	N.W. (Carton)	G.W. (Carton)
AK-330300-020-S	2m	100pcs	45*34*28cm	11.4kg	12.6kg



≤15KG

- * "ROTTERDAM" is for Sea Freight shipment
- * "COLOGNE" is for Air Freight shipment
- * "LUDENSCHIED" is for Fedex or UPS shipment

Date	Name	Part No.
Drawn by	2017.05.27 yuwenming	AK-330300-020-S
Checked by	2017.05.27 Zhouwei	EAN: 4016032295914
Approved by	05June, 2017 Joe	Title
ASSMANN Electronic GmbH		HDMI adapter cable, type A-DVI(18+1)
		Scale Unit