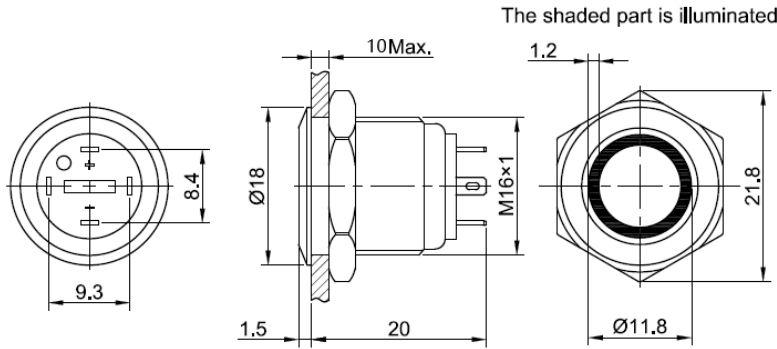


# Data Sheet

## Push button switch

Version 12/22



10 MAX: means the panel thickness, the max thickness for the panel no more than 6mm.

BN	LED color	LED voltage
701868	Red	12 V (with external resistor 820Ω)
701855	Blue	12 V (with external resistor 820Ω)
701880	Green	12 V (with external resistor 820Ω)

### Specification

Mounting diameter .....	16 mm
Head shape.....	Flat round head
Operation type .....	Momentary
Contact structure.....	1NO
Switch rating .....	2A/48VDC
Illumination type .....	Ring
Terminal .....	Soldering Pins
Body material .....	Stainless steel
Operating and storage temperature.....	-25 to +55 °C
Operating and storage humidity.....	45 to 85 % RH
Base material.....	PA66
IP rating.....	IP65
Electrical life.....	50,000 cycles
Mechanical life .....	1,000,000 cycles
Contact material.....	Silver Alloy
Pressure.....	About 4N
Operation distance.....	About 2mm
Torque max. ....	About 0.6Nm