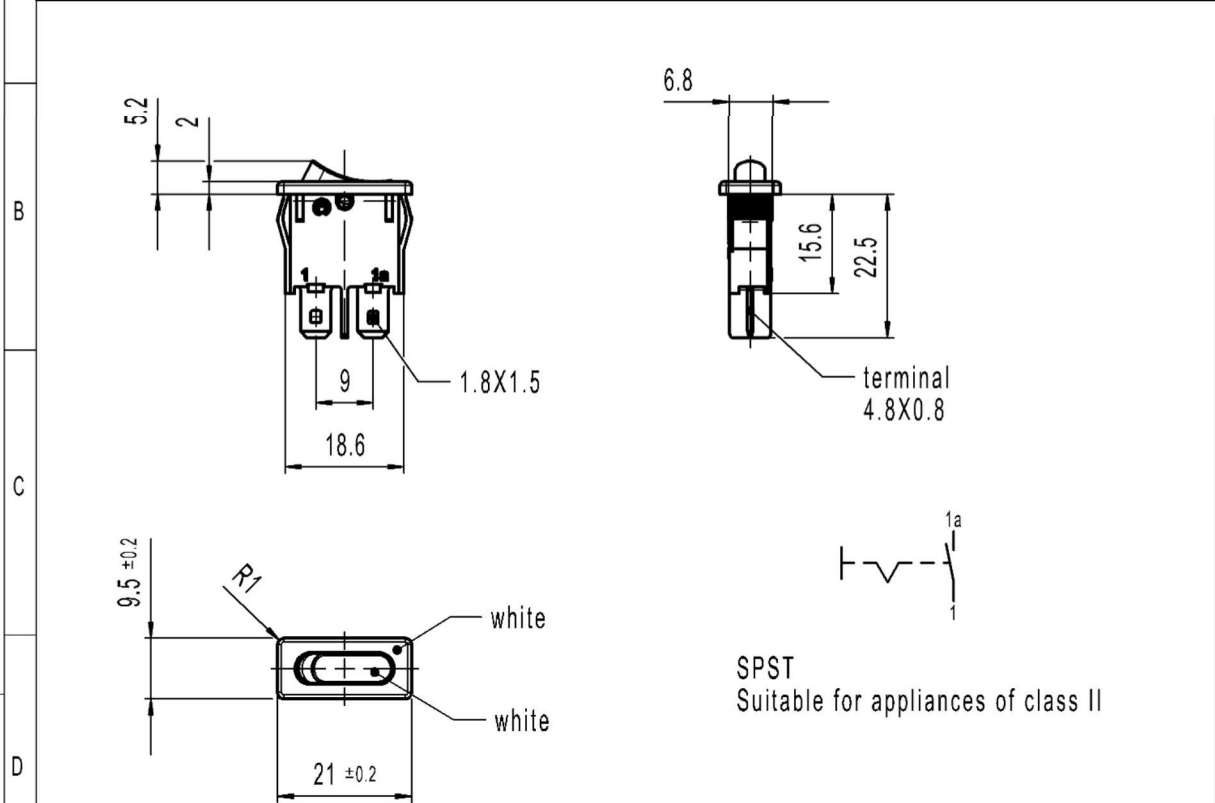


© THIS DRAWING IS THE EXCLUSIVE PROPERTY OF MARQUARDT. WITHOUT THEIR CONSENT IT MAY NOT BE REPRODUCED OR GIVEN TO THIRD PARTIES.

CONFIDENTIAL

VERTRAULICH

	1	2	3	4
A	recommended cut-out for snap-in fixing (edge opposite to snap-in direction)	wall thickness	length of cut-out	width of cut-out
		0.75 to 1.25	19.2 -0.1	6.8+0.1
		1.25 to 2	19.4 -0.1	6.8+0.1
		2 to 3	19.8 -0.1	6.8+0.1



SPST
Suitable for appliances of class II

Marking

Ⓜ
1901.
4(1)/250~5E4
6(2)/250~
T80/55



Code of manufacture: place/year/week

-	-	-	1901.1101-XX
Figure	Type	Customer Part No.	Art.No.-PI
Shape and location	Angle ± 2 °	Sheet 01	Ident. K
	Edge tolerance	Format DIN A4	Document number 19011101
Ⓜ =	0-6	Projection	Index d
	>6-15	Scale 1:1	Appliance Switch
>15-30	All dimensions are in millimetres	MARQUARDT	
>30-70			System NX V1899
d	141238	Replacement of	Zg.gl.Nr.v.03.12.2003
c	102884		
b	45724		
a	43248		
Index	MEC-No.	Date (YYYY-MM-DD)	Edited by

Alle Rechte bei Marquardt, auch fuer den Fall von Schutzrechtsmeldungen. Jede Veruegungsbeugnis, wie Kopier- und Weitergaberecht, bei uns.

©