

key cap
(to be ordered separately)

keymodule 6425.1101
(to be ordered separately)

recommended dimensions of LED
(to be ordered separately)

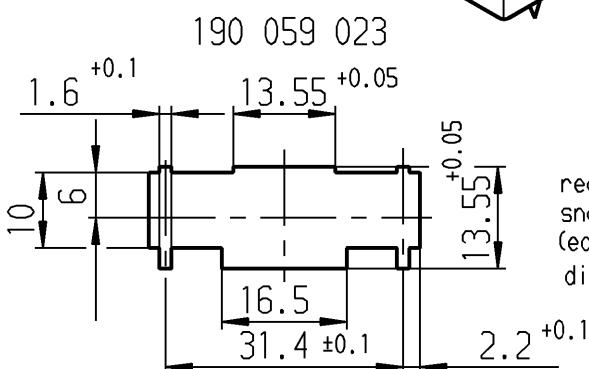
ø2.9 - 3.4

ø2.8 - 3.2

~4.8

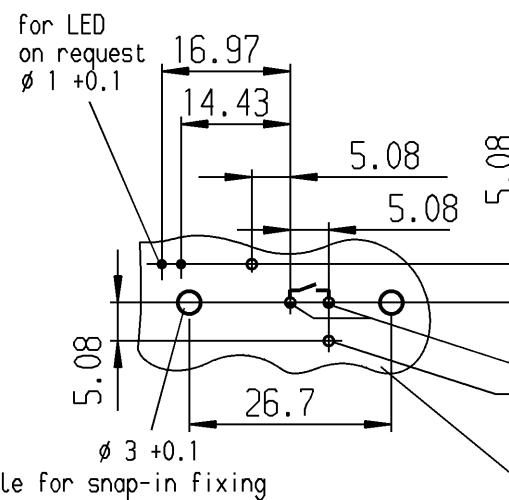
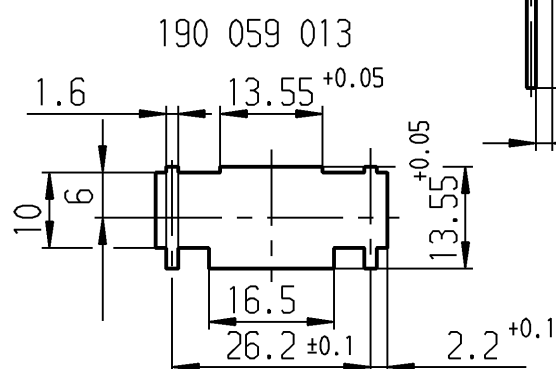
LED if spacing 16 mm

LED if spacing 19 mm

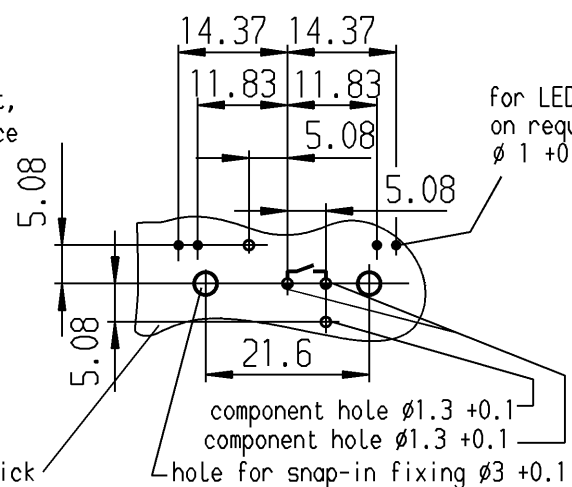


1 : 1

recommended cut-out for snap-in fixing
(edge opposite to snap-in direction)



recommended terminal layout, side of component; tolerance as per DIN IEC 326 item 3 very fine



for LED on request ø 1 +0.1

3 fold spacing 19 mm without LED	3 fold spacing 16 mm without LED	2 fold spacing 19 mm with and without LED	31.3	35.5	37	15.7	190.059.023
		2 fold spacing 16mm with and without LED	26.2	30.6	31.3	13.1	190.059.013
Key cap			w	x	y	z	Produkt-Nr.

Allgemeintoleranzen/UNTOLERANCED DIMENSIONS			PROJECTION		Pause COPY		Blatt SHEET		Zeichn./DRAWING NO.		
Für Längen und Radien FOR LENGTHS AND RADII.		Abmaße in mm für Nennmaßbereich in mm ALL DIMENSIONS ARE IN MILLIMETRES			Original DIN SCALE		Maßstab SCALE		SE 190.059.013		
±		bis/UP TO 6	über/OVER 6 bis/UP TO 30	über/OVER 30	A3		2:1		Leveling devices		
±		0.2	0.3	0.4	0 10 20 30 mm				gez./DRAWN BY 11.06.90 ws		
d				i						gepr./CHECKED BY Sa	
c				h						Ersatz für/REPLACEMENT OF	
b				g						MARQUARDT	
a		0	16.01.95	ws					Marquardt GmbH, D-78604 Rietheim-Weilheim		
Ausg. ISSUE		Änderung REVISION	gez. DRAWN BY	Ausg. ISSUE	Änderung REVISION	gez. DRAWN BY					

Schutzvermerk nach DIN 34 beachten COPYRIGHT RESERVED