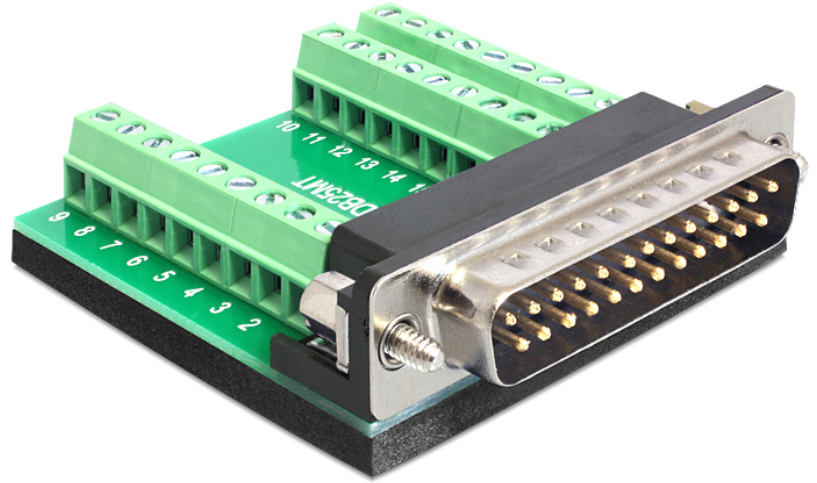


# Delock Adapter Sub-D 25 Pin Stecker > Terminalblock 27 Pin

## Kurzbeschreibung

Über diesen Sub-D zu Terminalblock Adapter von Delock können Litzen mit abisolierten Enden angeschlossen werden. Dadurch ist der Adapter nicht nur für spezielle Industrieanwendungen, z.B. für Service-, Mess - und Prüfzwecke geeignet, sondern kann auch im Hobbybereich, wie dem Eisenbahnmodellbau, angewendet werden.



## Technische Daten

- Sub-D 25 Pin Stecker
- 3 x 9 Pin Terminalblock (25 Pins beschaltet)
- Pitch 3.81 mm
- Stecker mit Schrauben
- Maße (LxBxH): 54,2 mm x 53,04 mm x 16,05 mm

## Artikel-Nr. 65318



EAN 4043619653188

Ursprungsland China

## Packungsinhalt

- Adapter

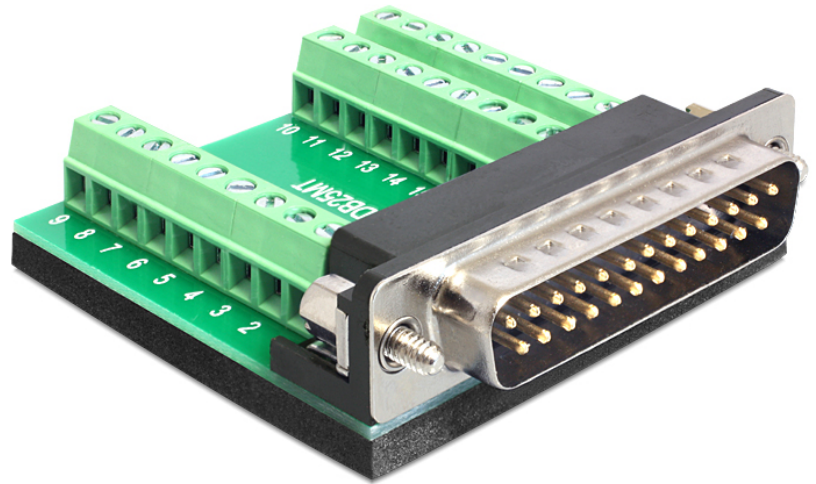
## Verpackung

- Poly Bag

# Delock Adapter Sub-D 25 pin male > Terminal Block 27 pin

## Description

This Sub-D to terminal block adapter is made for special industrial application e.g. for connecting single wires with open cable heads. It also can be used in the hobby area for example for model railroading.



## Specification

- Sub-D 25 pin male
- 3 x 9 pin terminal block (25 pins connected)
- Pitch 3.81 mm
- Male port with screws
- Dimension (LxWxH): 54.2 mm x 53.04 mm x 16.05 mm

## Item No. 65318



EAN 4043619653188

Country of origin China

## Package content

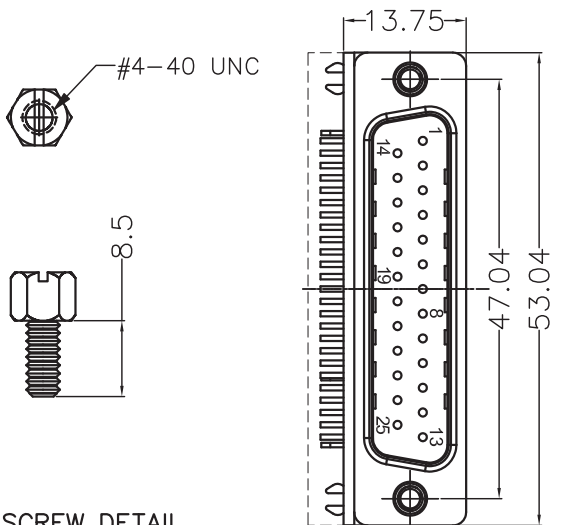
- Adapter

## Package

- Poly bag

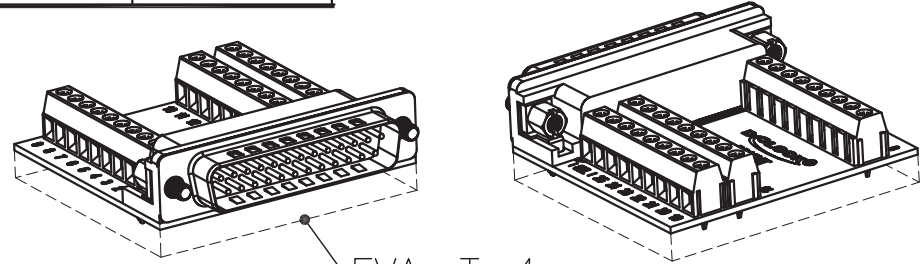
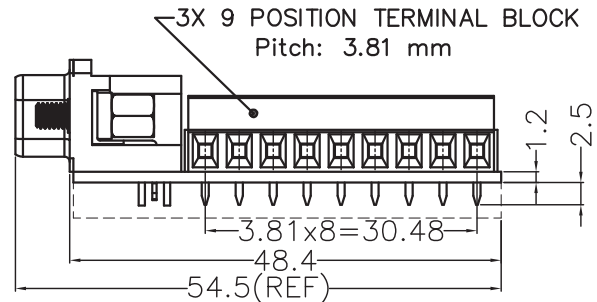
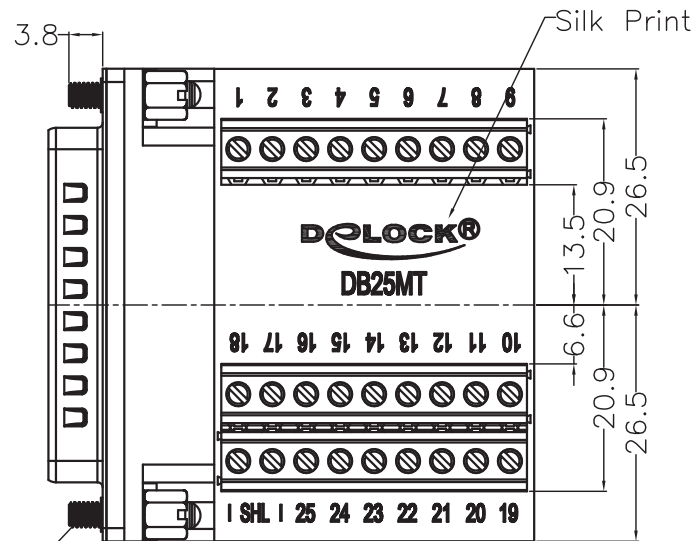
WIRING TABLE	
DB25 PIN #	TERMINAL PIN #
1	1
2	2
3	3
4	4
5	5
6	6
.....	.....
.....	.....
.....	.....
20	20
21	21
22	22
23	23
24	24
25	25
SHELL	SHL

REVISIONS			
REV	DESCRIPTION	DATE	APPROVED
A	INITIAL RELEASE	7/11/11	Liu Jian Ping



JACKSCREW DETAIL

2X #4-40 JACKSCREW



EVA, T=4mm

Part name:  
Adapter terminal block > Sub-D 25 pin Male

Electrical Character:

- 1> 100% open&short testing
- 2> With understanding voltage:DC 500 V 0.01 Sec.
- 3> Insulation Resistance: 50M Ohm (Min)
- 4> Conductive Resistance: 2 Ohm(Max)

UNLESS OTHERWISE SPECIFIED, DIMENSIONS ARE IN mm	APPROVALS	DATE	<p>we move the world</p>
	DRAWN BY May	7/11/2011	
	CHECKED BY Gang	7/11/2011	
DIMENSIONAL TOLERANCES: .X = ±0.3 .XX = ±0.2 .XXX = ±0.1	APPROVED BY Steven	7/12/2010	Item no.
ANGULAR TOLERANCES: ALL = ± 1°	CONFIGURATION DETAILS OF UNDIMENSIONED FEATURES MAY VARY		65318
PROJECTION	COLOR VARIATIONS MAY OCCUR		Barcode: 4043619653188
			File: 88072