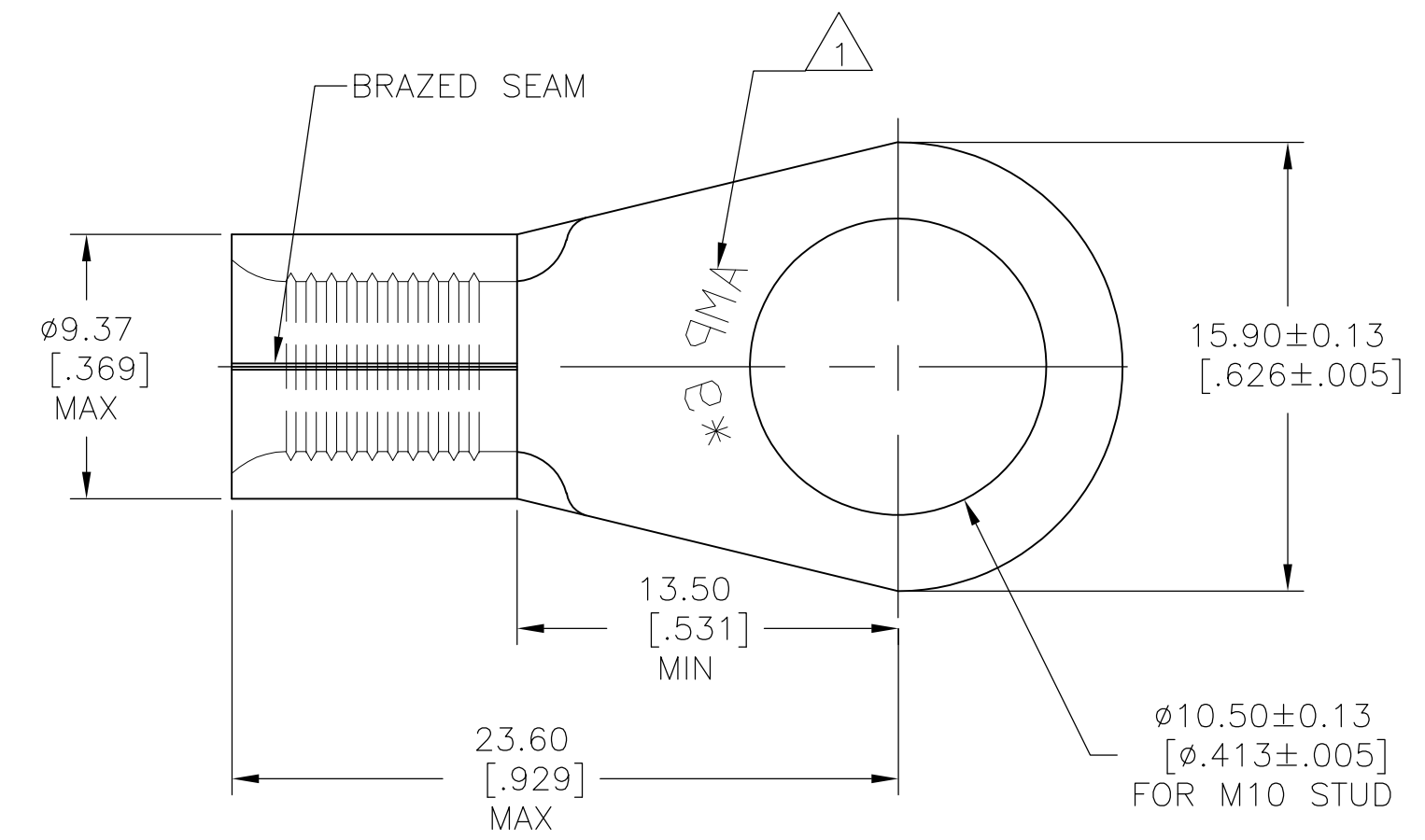


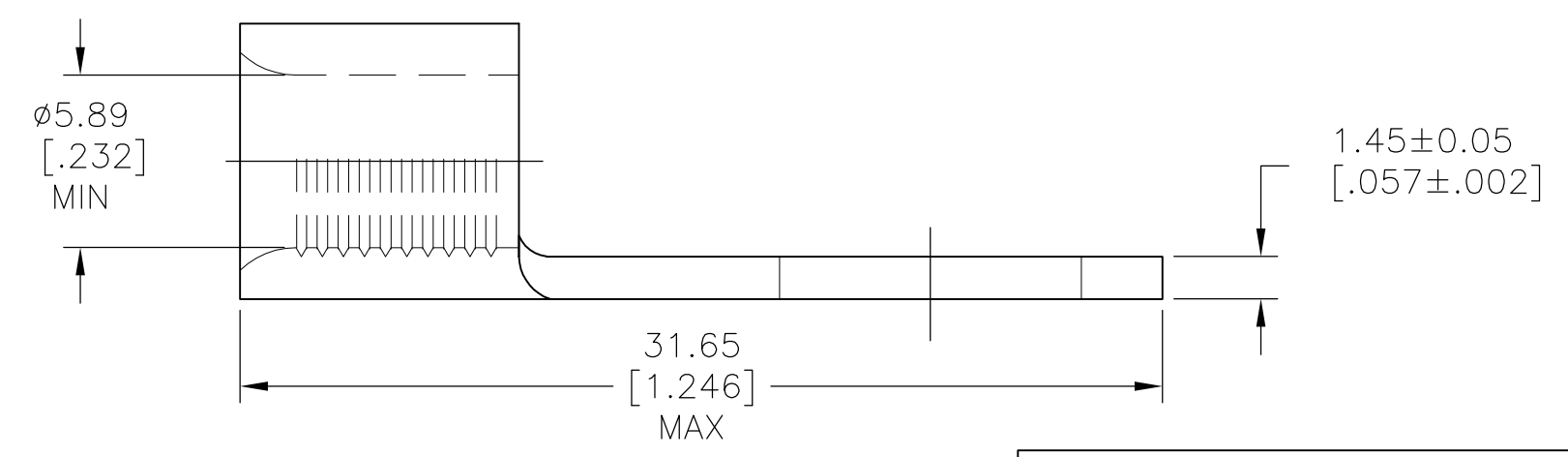
THIS DRAWING IS UNPUBLISHED. RELEASED FOR PUBLICATION
 © COPYRIGHT - BY TYCO ELECTRONICS CORPORATION. ALL INTERNATIONAL RIGHTS RESERVED.

LOC	DIST	REVISIONS					
		P	LTR	DESCRIPTION	DATE	DWN	APVD
G	14		B1	REVISED PER ECO-10-021669	26OCT10	HMR	DR



AMP
 WIRE RANGE
 6 AWG
 SOLID OR STRANDED

- △ 1 STAMP AMP 6* APPROX AS SHOWN
- △ 2 MATERIAL: COPPER PER ASTM B-152, ANNEALED
- △ 3 FINISH: TIN PLATE 0.00254[.000100] MIN EXT THK PER ASTM B-545

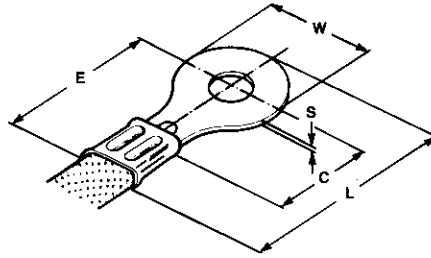


160032
 PART NO

THIS DRAWING IS A CONTROLLED DOCUMENT.		DWN jr_ruth 09JUN04	Tyco Electronics Corporation Harrisburg, PA 17105-3608	
DIMENSIONS: mm [INCHES]		CHK T MICHELUTTI 09JUN04	NAME	
TOLERANCES UNLESS OTHERWISE SPECIFIED:		APVD T MICHELUTTI 09JUN04	WIRE TERMINAL SOLISTRAND RING TONGUE 6 AWG - M10	
0 PLC ± -		PRODUCT SPEC	SIZE	CAGE CODE
1 PLC ± -		APPLICATION SPEC	A3	00779
2 PLC ± -		WEIGHT	DRAWING NO	
3 PLC ± -			G-160032	
4 PLC ± -			RESTRICTED TO	
ANGLES ± -			-	
MATERIAL			SCALE	SHEET
△ 2			4:1	1 OF 1
FINISH			REV	B1
△ 3		CUSTOMER DRAWING		

AMP SOLISTRAND

Ringzungen,
6,7–304,0 mm²



AMP SOLISTRAND

Ring Tongues,
6.7–304.0 mm²

Leiterquerschnittsbereich 10,0 mm²
AWG 8 (6,7–10,5 mm²)

Wire Size Range 10.0 mm²
AWG 8 (6.7–10.5 mm²)

Bolzen Bolt M	Bolzenloch Stud Hole (mm)	Abmessungen/Dimensions (mm)					Bestell-Nummer Part Number	Werkzeug Tooling
		S	W	C min.	L	E		
5.0	5.2	1.2	11.9	9.1	23.7	17.7	160013-0	siehe Seiten 22-63–22-78 see pages 22-63–22-78
6.0	6.1	1.2	11.9	9.1	23.8	17.9	130550-0	
6.0	6.7	1.2	11.9	9.1	23.7	17.7	33461-0	
8.0	8.3	1.2	15.1	13.5	29.7	22.1	33462-0	
10.0	10.5	1.2	15.1	13.5	29.7	22.2	160056-0	
12.0	13.0	1.2	31.8	25.4	49.9	34.0	35664-0	

Leiterquerschnittsbereich 16,0 mm²
AWG 6 (10,6–16,7 mm²)

Wire Size Range 16.0 mm²
AWG 6 (10.6–16.7 mm²)

Bolzen Bolt M	Bolzenloch Stud Hole (mm)	Abmessungen/Dimensions (mm)					Bestell-Nummer Part Number	Werkzeug Tooling
		S	W	C min.	L	E		
5.0	5.2	1.45	11.9	13.5	29.7	23.7	130552-0	siehe Seiten 22-63–22-78 see pages 22-63–22-78
6.0	6.3	1.45	11.9	13.5	29.7	23.7	130554-0	
6.0	6.7	1.45	15.9	13.5	31.8	23.8	33465-0	
8.0	8.3	1.45	15.9	13.5	31.6	23.7	33466-0	
10.0	10.3	1.45	15.9	13.5	31.6	23.7	160032-0	
12.0	13.0	1.45	22.2	25.4	46.7	35.9	320344-0	
12.0	13.1	1.45	31.8	25.4	51.6	35.6	36808-0	

Leiterquerschnittsbereich 25,0 mm²
AWG 4 (16,8–26,6 mm²)

Wire Size Range 25.0 mm²
AWG 4 (16.8–26.6 mm²)

Bolzen Bolt M	Bolzenloch Stud Hole (mm)	Abmessungen/Dimensions (mm)					Bestell-Nummer Part Number	Werkzeug Tooling
		S	W	C min.	L	E		
5.0	5.2	1.8	16.7	13.1	33.3	25.0	160119-0	siehe Seiten 22-63–22-78 see pages 22-63–22-78
6.0	6.1	1.8	16.7	13.1	33.2	24.9	130560-0	
6.0	6.7	1.8	12.7	11.1	30.5	24.1	33469-0	
8.0	8.3	1.8	16.7	13.1	33.2	24.9	33470-0	
10.0	10.5	1.8	16.7	13.1	33.2	24.9	160075-0	
12.0	13.0	1.8	22.2	25.4	48.3	37.2	327175-0	
12.0	13.1	1.8	31.8	25.4	53.1	37.1	35668-0	
16.0	16.6	1.8	31.8	25.4	53.1	37.2	35669-0	

Leiterquerschnittsbereich 35,0 mm²
AWG 2 (26,7–42,4 mm²)

Wire Size Range 35.0 mm²
AWG 2 (26.7–42.4 mm²)

Bolzen Bolt M	Bolzenloch Stud Hole (mm)	Abmessungen/Dimensions (mm)					Bestell-Nummer Part Number	Werkzeug Tooling
		S	W	C min.	L	E		
6.0	6.3	1.8	15.9	17.4	38.8	30.9	130562-0	siehe Seiten 22-63–22-78 see pages 22-63–22-78
6.0	6.7	1.8	22.6	17.5	42.1	30.8	320138-0	
8.0	8.3	1.8	15.9	17.4	38.8	30.9	322870-0	
8.0	8.3	1.8	22.2	17.5	42.2	30.2	35183-0	
10.0	10.5	1.8	22.2	17.4	42.0	30.9	160002-0	
12.0	13.0	1.8	22.2	17.4	42.0	30.9	35185-0	
16.0	16.6	1.8	32.0	34.1	63.7	49.8	320754-0	