

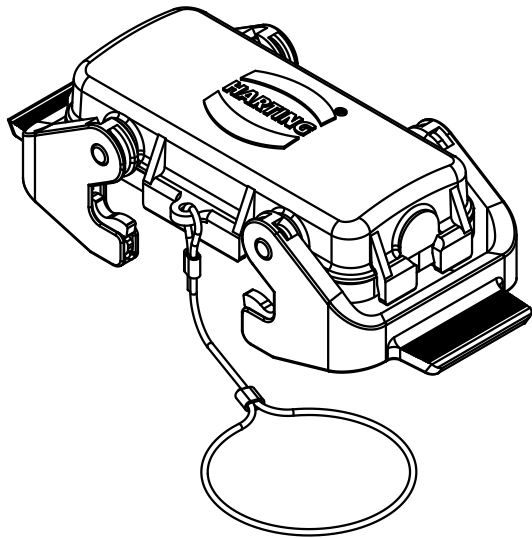
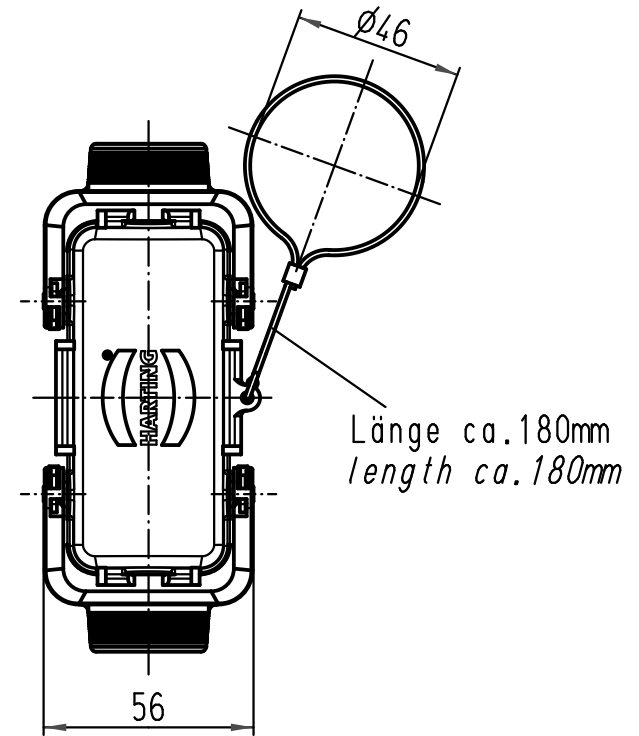
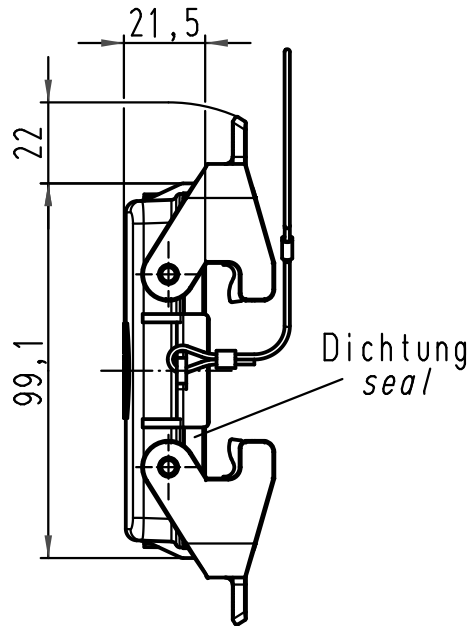
1 2 3 4 5 6

A

B

C

D



|   |      |                   |                                |              |   |  |
|---|------|-------------------|--------------------------------|--------------|---|--|
| All Dimensions in mm<br>Original Size DIN A 4 |      | Techn. Character. |                                |              | Nicht tolerierte Maßel/Free size tolerances |  |
|   |      |                   | Dat.                           | Name         | Maßstab/Scale<br><br>1:2                    | <b>Han 16B-AK-QB</b><br>Metallabdeckkappe<br>metal cover |
|   |      |                   | Detail.                        | 01.12.08 Bor |   |  |
|   |      |                   | Insp.                          | Sch          |   |  |
|   |      |                   | Stand.                         |              |   |  |
| A   |      |                   | HARTING Electric GmbH & Co. KG |              |   | <b>TB 09 30 016 5422</b>                                 |
| Mod.  | Dat. | Name              | D-32339 Espelkamp              |              |   |  |
| Sub. TB 09 30 016 5422 v. 01.10.01            |      |                   |                                |              |   | Blatt/ page  |