



## Specifications Sheet

Product Type : **Mechanical Buzzer**

Product Series : **DB-E208**

Description : **MC BUZZER SINGLE 24VDC L/W ABS RoHS**

Color : **Black**

### Electrical Specifications

Model No.	20S1240LFLA	
Operating Voltage Range	( VDC )	15.0 ~ 27.0
Rated Voltage	( VDC )	24.0
* Max. Rated Current	( mA )	30.0
* Min. Sound Output	( dBA/ 20.0 cm )	75.0
* Frequency	( Hz )	400.0 ± 100.0
Tone Nature		Single
Operating Temperature	( ° C )	- 20.0 ~ + 60.0
Storage Temperature	( ° C )	- 30.0 ~ + 70.0
Terminal		Leadwire ( UL1095 , AWG#26 )
Housing Material		ABS
Weight	( g )	10.0

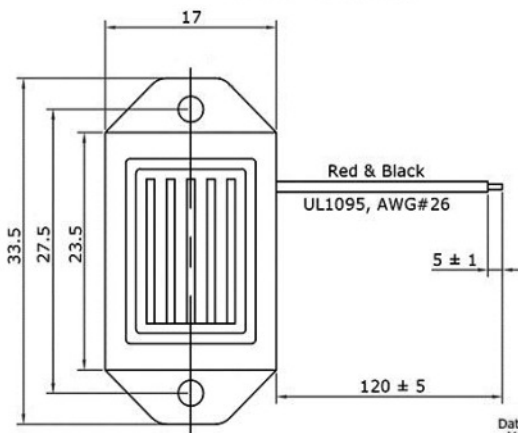
\* Value applying at rated voltage

### Dimensions

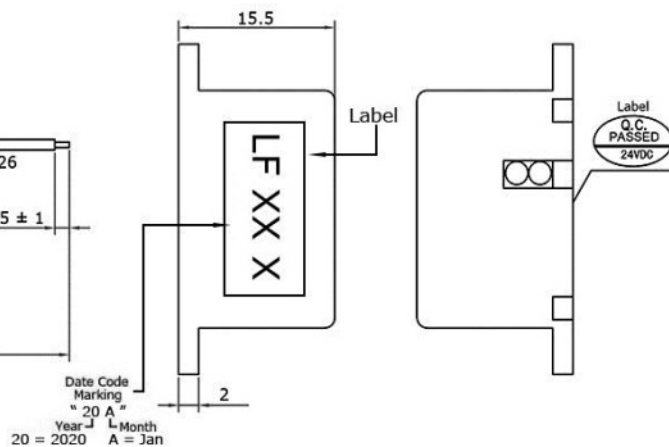
Unit : mm

Tolerance : ± 0.5 mm

### TOP VIEW



### SIDE VIEW



Date Code Marking  
" 20 A "  
Year -> L Month  
20 = 2020 A = Jan

Approved By :   
Date : 16 Jan 2020

Prepared By :   
Date : 16 Jan 2020

Modify :	Date :	By :