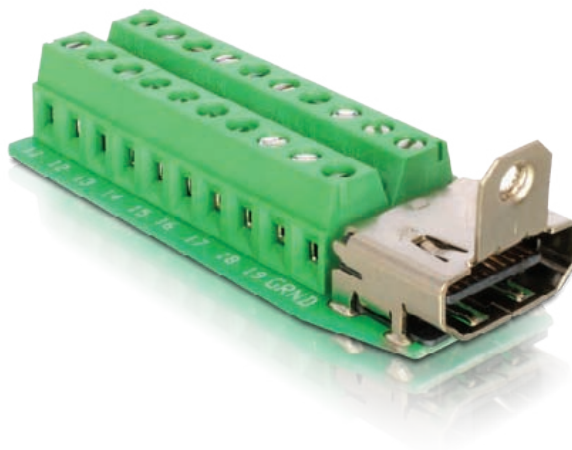


# Adapter HDMI Buchse > Terminalblock 20pin

## Kurzbeschreibung

Dieser HDMI zu Terminalblock Adapter ist für spezielle Industrieanwendungen geeignet, z.B. zum Anschluss einzelner Kabelstränge mit offenen Kabelenden.



Art. 65168

EAN 4043619651689

## Abbildungen

## Technische Daten

- HDMI Anschluss
- 20pin Terminalblock
- Pitch 3.81

### Packungsinhalt

- Adapter

### Verpackung

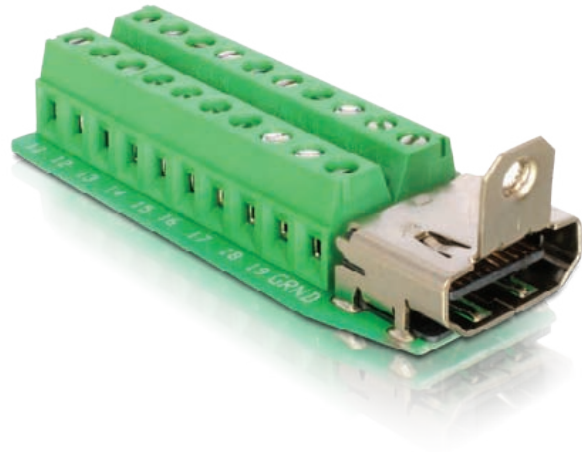
- Delock Poly bag



# Adapter HDMI female > Terminal Block 20pin

## Description

This HDMI to Terminal Block adapter is made for special industrial application e.g. for connecting single wires with open cable heads.



Ref. 65168  
EAN 4043619651689

## Images

## Specification

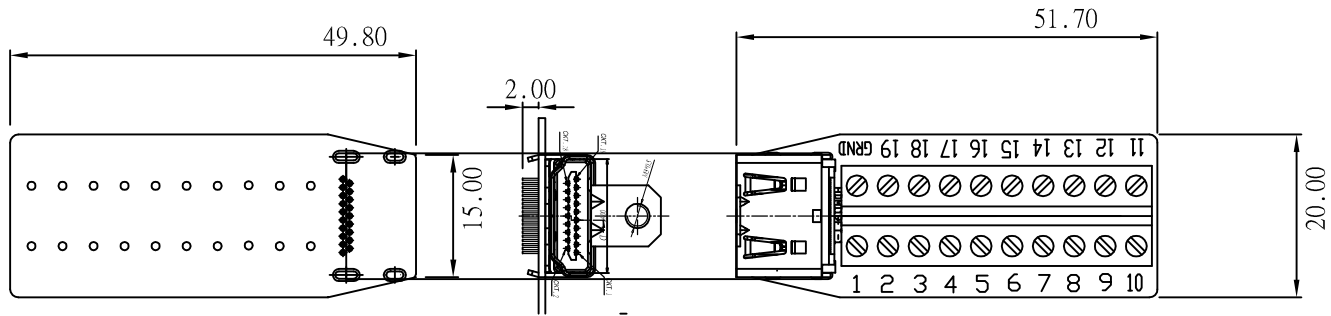
- HDMI interface
- 20pin Terminal Block
- Pitch 3.81

### Package content

- Adapter

### Package

- Delock poly bag



| WIRING TABLE |                  |
|--------------|------------------|
| HDMI PIN #   | TERMINAL BLOCK # |
| 1            | 1                |
| 2            | 2                |
| 3            | 3                |
| 4            | 4                |
| 5            | 5                |
| 6            | 6                |
| 7            | 7                |
| 8            | 8                |
| 9            | 9                |
| 10           | 10               |
| 11           | 11               |
| 12           | 12               |
| 13           | 13               |
| 14           | 14               |
| 15           | 15               |
| 16           | 16               |
| 17           | 17               |
| 18           | 18               |
| 19           | 19               |
| GROUND       | 20               |

**NOTE:(HDMI CONNECTOR)**

**1.MATERIALS AND FINISH**

**1.1 HOUSING&KEY:**

TEMP.PLASTIC,UL 94V-0 RATED.

**1.2 CONTACTS:**

COPPER ALLOY.

GOLD ON CONTACT AREA.

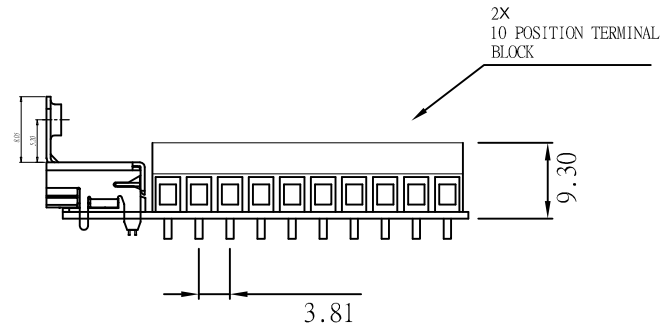
120u" MIN TIN PLATING ON SOLDER TAILS.

BOTH OVER 50u" MIN NICKEL ALL OVER.

**1.3 SHIELD:**

COPPER ALLOY.

PLATING NICKEL80u" MIN ALL OVER .



|          |          |             |      |               |  |                           |                      |                     |
|----------|----------|-------------|------|---------------|--|---------------------------|----------------------|---------------------|
|          |          |             |      | Edition<br>A1 | <b>Delock</b>  |                           |                      |                     |
|          |          |             |      | SCALE<br>X:1  | <small>UNLESS OTHER-WISE SPECIFIED TOLERANCE:</small><br>0.0: ±0.30<br>0.00: ±0.20<br>0.000: ±0.10 | MODEL NO.<br><b>65168</b> | DWG NO.<br>L09102803 | DATE<br>20079/10/28 |
|          |          |             |      | UNIT<br>mm    |  |                           |                      |                     |
| Customer | REVISION | DESCRIPTION | DATE | PAGE<br>1/1   |  | DRAWN<br><i>huang.y</i>   | CHECKED              | APPRD               |