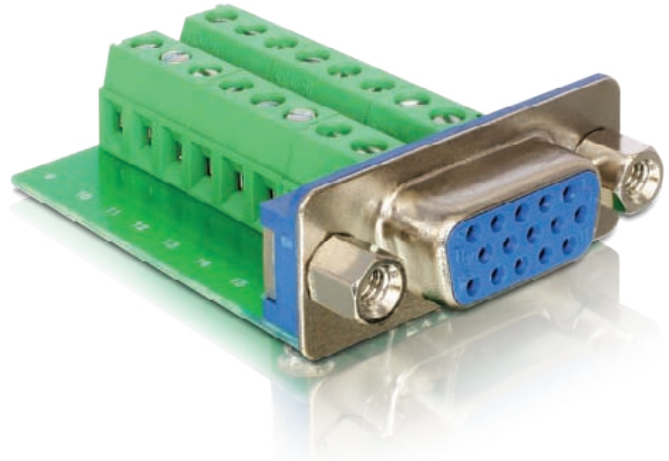


Adapter VGA Buchse > Terminalblock 16pin

Kurzbeschreibung

Dieser VGA zu Terminalblock Adapter ist für spezielle Industrieanwendungen geeignet, z.B. zum Anschluss einzelner Kabelstränge mit offenen Kabelenden.



Art. 65170
EAN 4043619651702

Abbildungen

Technische Daten

- VGA 15pin Anschluss
- 16pin Terminalblock
- Pitch 3.81

Packungsinhalt

- Adapter

Verpackung

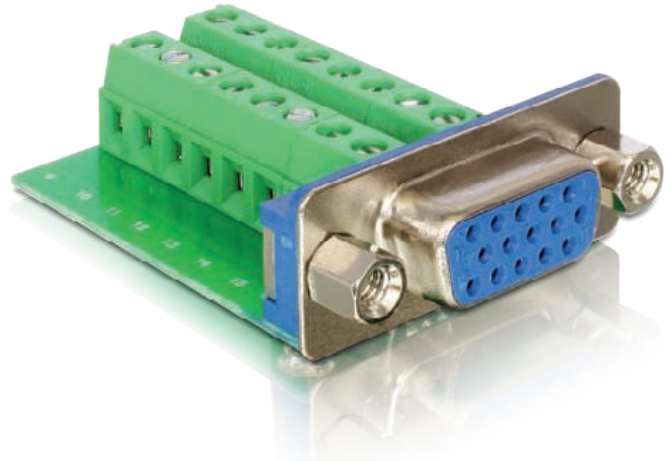
- Delock Poly bag



Adapter VGA female > Terminal Block 16pin

Description

This VGA to Terminal Block adapter is made for special industrial application e.g. for connecting single wires with open cable heads.



Ref. 65170
EAN 4043619651702

Images

Specification

- VGA 15pin interface
- 16pin Terminal Block
- Pitch 3.81

Package content

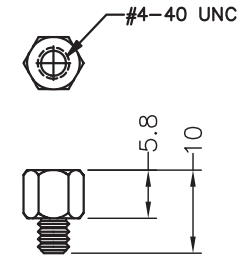
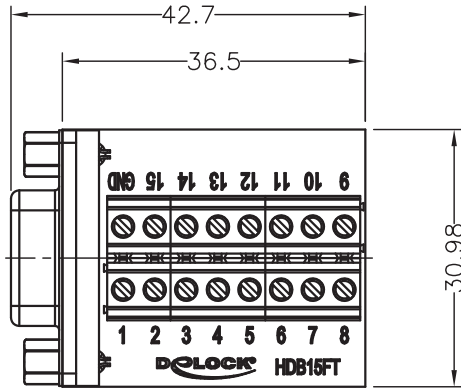
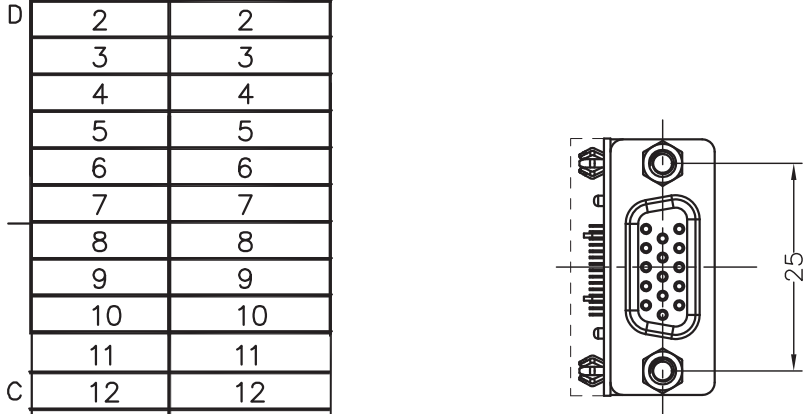
- Adapter

Package

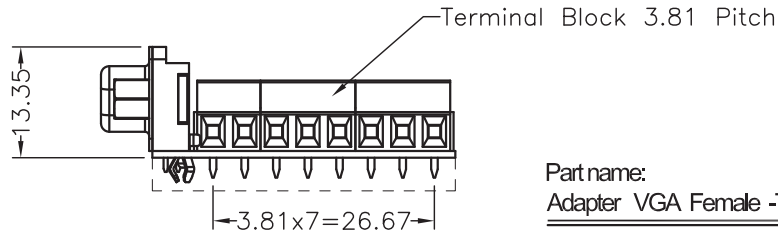
- Delock poly bag

WIRING TABLE	
HDB15 PIN #	TERMINAL BLOCK #
1	1
2	2
3	3
4	4
5	5
6	6
7	7
8	8
9	9
10	10
11	11
12	12
13	13
14	14
15	15
SHELL	SHL

REVISIONS			
REV	DESCRIPTION	DATE	APPROVED
A	INITIAL RELEASE	02/22/2011	Steven



JACKSCREW DETAIL



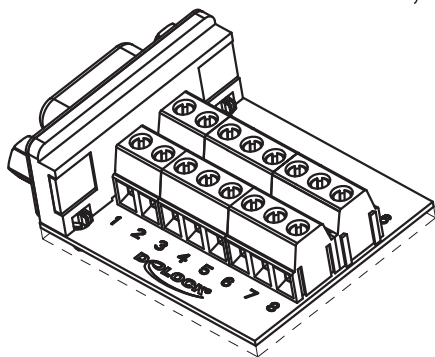
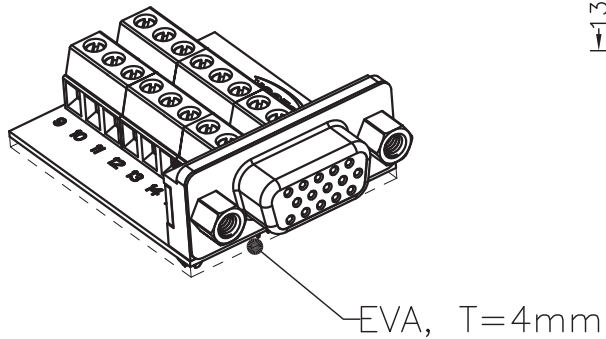
Partname:
Adapter VGA Female -TerminalBlock 16Pin

Electrical Character:

- 1> 100% open&short testing
- 2> With understanding voltage:DC 300 V 0.01 Sec.
- 3> Insulation Resistance: 50 M Ohm (Min)
- 4> Conductive Resistance: 2 Ohm(Max)

Material:

- 1> PCB: FR-4



UNLESS OTHERWISE SPECIFIED, DIMENSIONS ARE IN mm DIMENSIONAL TOLERANCES: .X = ±.2 .XX = ±.15 .XXX = ±.1 ANGULAR TOLERANCES: ALL = ± 1° PROJECTION	APPROVALS	DATE
	DRAWN BY May	02/22/2011
	CHECKED BY Gang	02/22/2011
	APPROVED BY Steven	02/22/2011
	CONFIGURATION DETAILS OF UNDIMENSIONED FEATURES MAY VARY	
	COLOR VARIATIONS MAY OCCUR	



Item no.

65170

Barcode: 4043619651702

File: 88072