

Adapter Sub-D 9 Pin Stecker > Terminalblock 10 Pin

Kurzbeschreibung

Dieser Seriell zu Terminalblock Adapter ist für spezielle Industrieanwendungen geeignet, z.B. zum Anschluss einzelner Kabelstränge mit offenen Kabelenden.



Art.	65269
EAN	4043619652693
Ursprungsland	China
Zolltarifnummer	84718000

Abbildungen

Technische Daten

- Sub-D 9 Pin Stecker
- 10 Pin Terminalblock
- Pitch 3.81 mm

Packungsinhalt

- Adapter

Verpackung

- Delock Poly Bag

Adapter Sub-D 9 pin male > Terminal block 10 pin

Description

This Serial to Terminal block adapter is made for special industrial application e.g. for connecting single wires with open cable heads.



Ref.	65269
EAN	4043619652693
Country of origin	China
Customs tariff number	84718000

Images

Specification

- Sub-D 9 pin male
- 10 pin Terminal block
- Pitch 3.81 mm

Package content

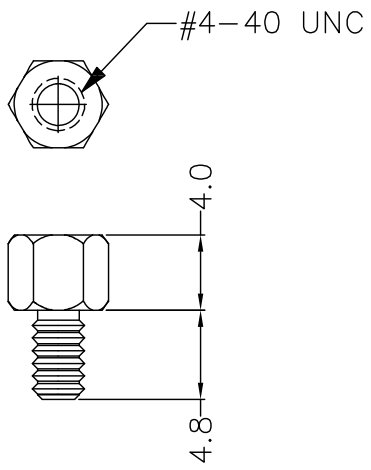
- Adapter

Package

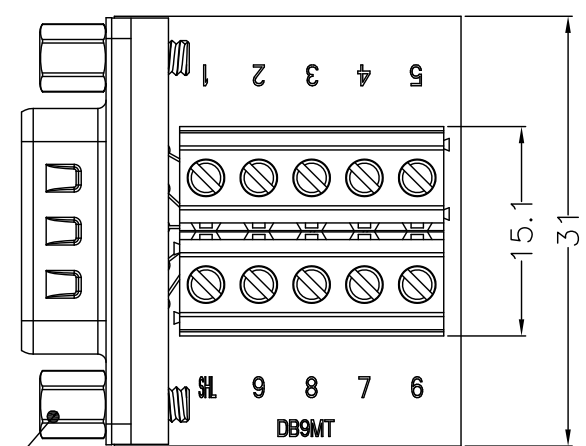
- Delock poly bag

WIRING TABLE	
DB9 PIN #	TERMINAL BLOCK #
1	1
2	2
3	3
4	4
5	5
6	6
7	7
8	8
9	9
SHELL	SHL

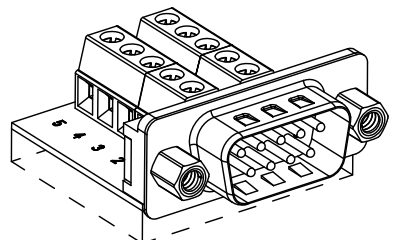
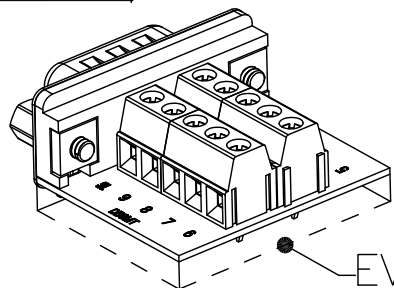
REVISIONS			
REV	DESCRIPTION	DATE	APPROVED
A	INITIAL RELEASE	10/12/09	Liu Jian Ping



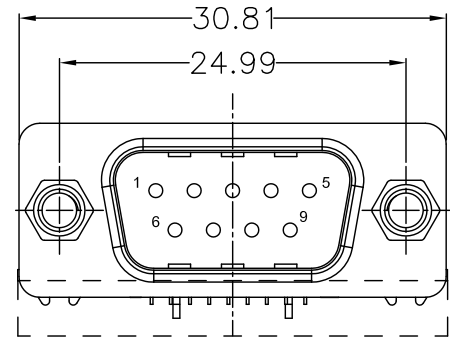
JACKSCREW DETAIL



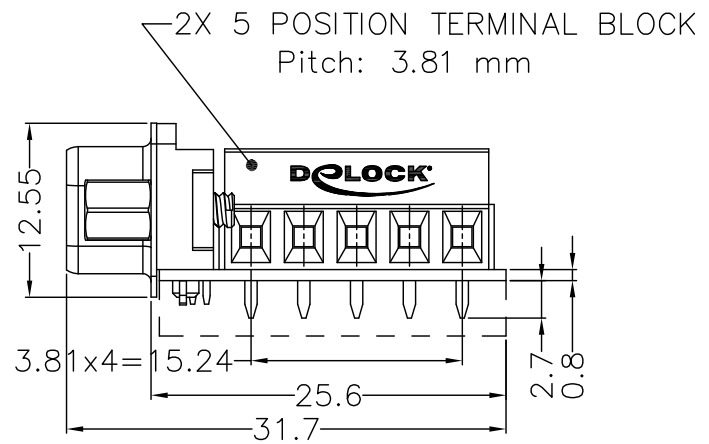
2X #4-40 JACKSCREW



Part name:
Adapter terminal block > Sub-D 9 pin male



DB9 Male connector



Electrical Character:

- 1> 100% open&short testing
- 2> With understanding voltage:DC 500 V 0.01 Sec.
- 3> Insulation Resistance: 50M Ohm (Min)
- 4> Conductive Resistance: 2 Ohm(Max)

UNLESS OTHERWISE SPECIFIED, DIMENSIONS ARE IN mm	APPROVALS	DATE
	DRAWN BY May	2/23/2011
DIMENSIONAL TOLERANCES: .X = ± 0.3 .XX = ± 0.2 .XXX = ± 0.1	CHECKED BY Gang	14/24/2011
	APPROVED BY Steven	12/27/2010
ANGULAR TOLERANCES: ALL = ± 1°	CONFIGURATION DETAILS OF UNDIMENSIONED FEATURES MAY VARY	
PROJECTION	COLOR VARIATIONS MAY OCCUR	



Item no.
65269

Barcode: 4043619652693

File: 88072