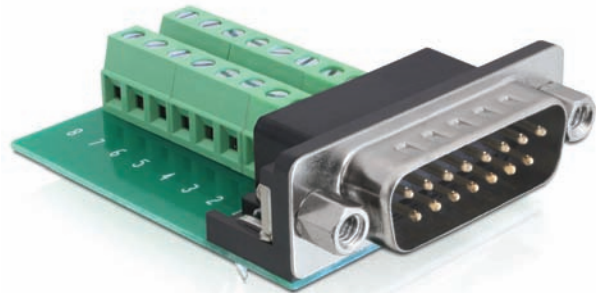


Adapter Sub-D 15 Pin Gameport Stecker > Terminalblock 16 Pin

Kurzbeschreibung

Dieser Gameport zu Terminalblock Adapter ist für spezielle Industrieanwendungen geeignet, z.B. zum Anschluss einzelner Kabelstränge mit offenen Kabelenden.

Abbildungen



Art.	65275
EAN	4043619652754
Ursprungsland	China
Zolltarifnummer	84718000

Technische Daten

- Gameport Stecker (zweireihig 15 Pin)
- 16 Pin Terminalblock
- Pitch 3.81 mm

Packungsinhalt

- Adapter

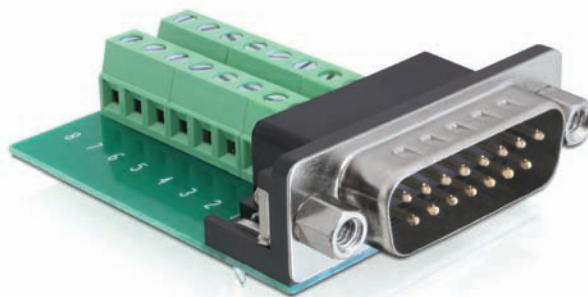
Verpackung

- Delock Poly Bag

Adapter Sub-D 15 pin Gameport male > Terminal block 16 pin

Description

This Gameport to Terminal block adapter is made for special industrial application e.g. for connecting single wires with open cable heads.



Ref.	65275
EAN	4043619652754
Country of origin	China
Customs tariff number	84718000

Images

Specification

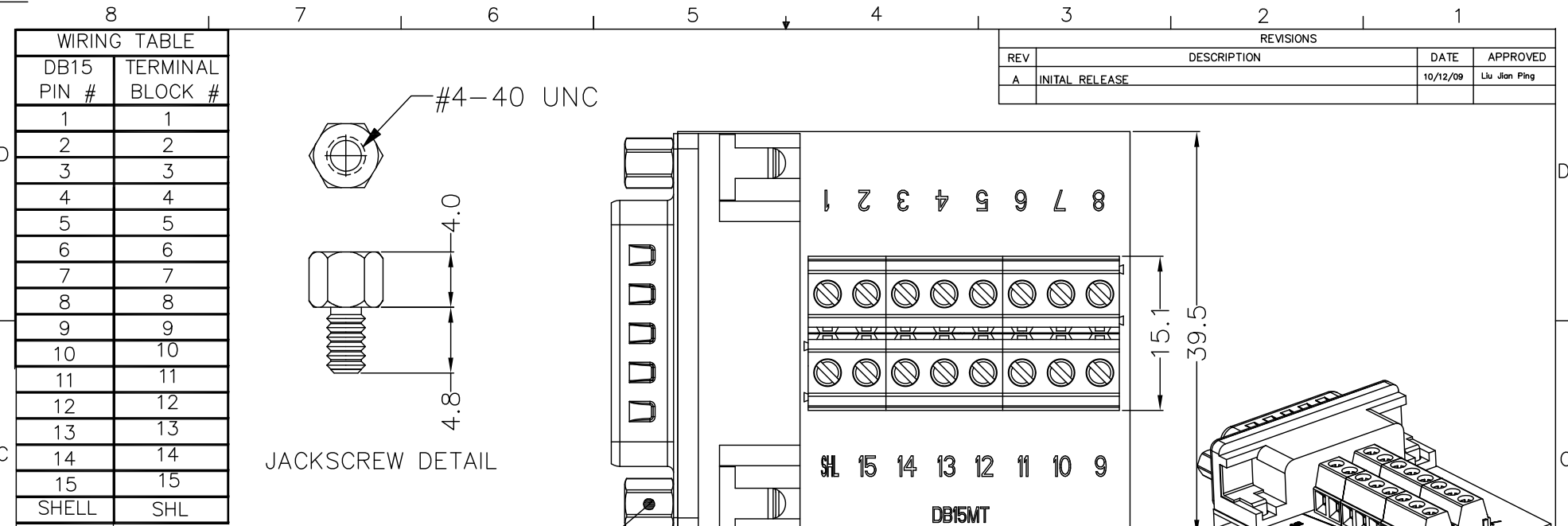
- Gameport male (double-row 15 pin)
- 16 pin Terminal block
- Pitch 3.81 mm

Package content

- Adapter

Package

- Delock poly bag

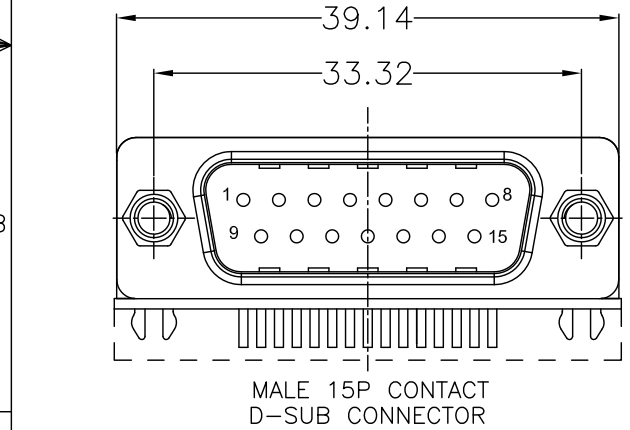
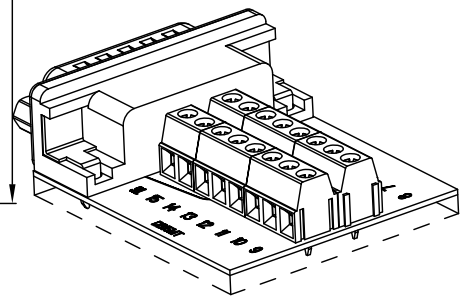


REVISIONS			
REV	DESCRIPTION	DATE	APPROVED
A	INITIAL RELEASE	10/12/09	Liu Jian Ping

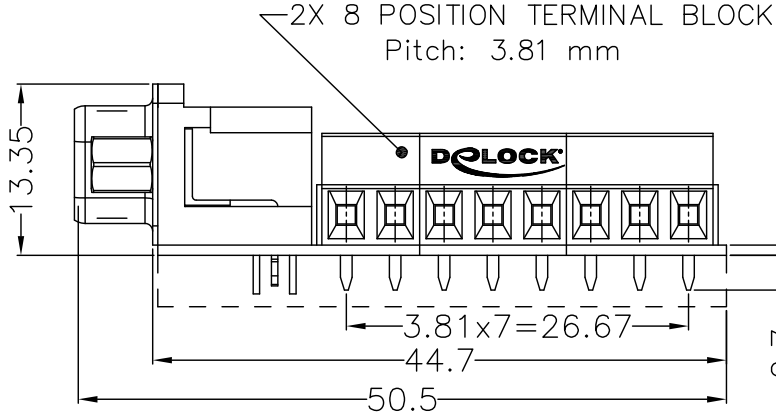
WIRING TABLE	
DB15 PIN #	TERMINAL BLOCK #
1	1
2	2
3	3
4	4
5	5
6	6
7	7
8	8
9	9
10	10
11	11
12	12
13	13
14	14
15	15
SHELL	SHL

JACKSCREW DETAIL

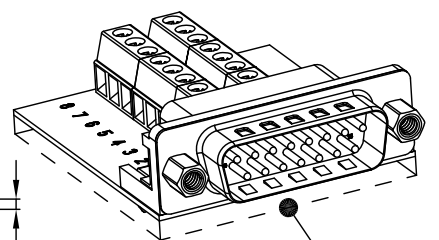
2X #4-40 JACKSCREW



MALE 15P CONTACT D-SUB CONNECTOR



2X 8 POSITION TERMINAL BLOCK
Pitch: 3.81 mm



EVA, T=4mm

Part name:
Adapter terminal block > Sub-D 15 pin male

Electrical Character:

- 1> 100% open&short testing
- 2> With understanding voltage:DC 500 V 0.01 Sec.
- 3> Insulation Resistance: 100M Ohm (Min)
- 4> Conductive Resistance: 2 Ohm(Max)

UNLESS OTHERWISE SPECIFIED, DIMENSIONS ARE IN mm	APPROVALS	DATE
	DRAWN BY May	2/23/2011
DIMENSIONAL TOLERANCES: .X = ±0.3 .XX = ±0.2 .XXX = ±0.1	CHECKED BY Gang	14/24/2011
	APPROVED BY Steven	12/27/2010
ANGULAR TOLERANCES: ALL = ± 1°	CONFIGURATION DETAILS OF UNDIMENSIONED FEATURES MAY VARY	
PROJECTION	COLOR VARIATIONS MAY OCCUR	



Item no.
65275

Barcode: 4043619652754

File: 88072