

tyco / *Electronics*

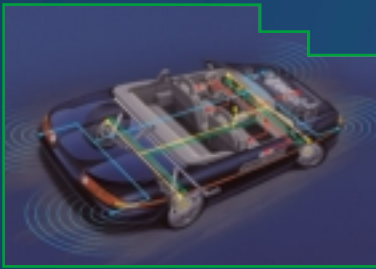
GLOBAL AUTOMOTIVE DIVISION



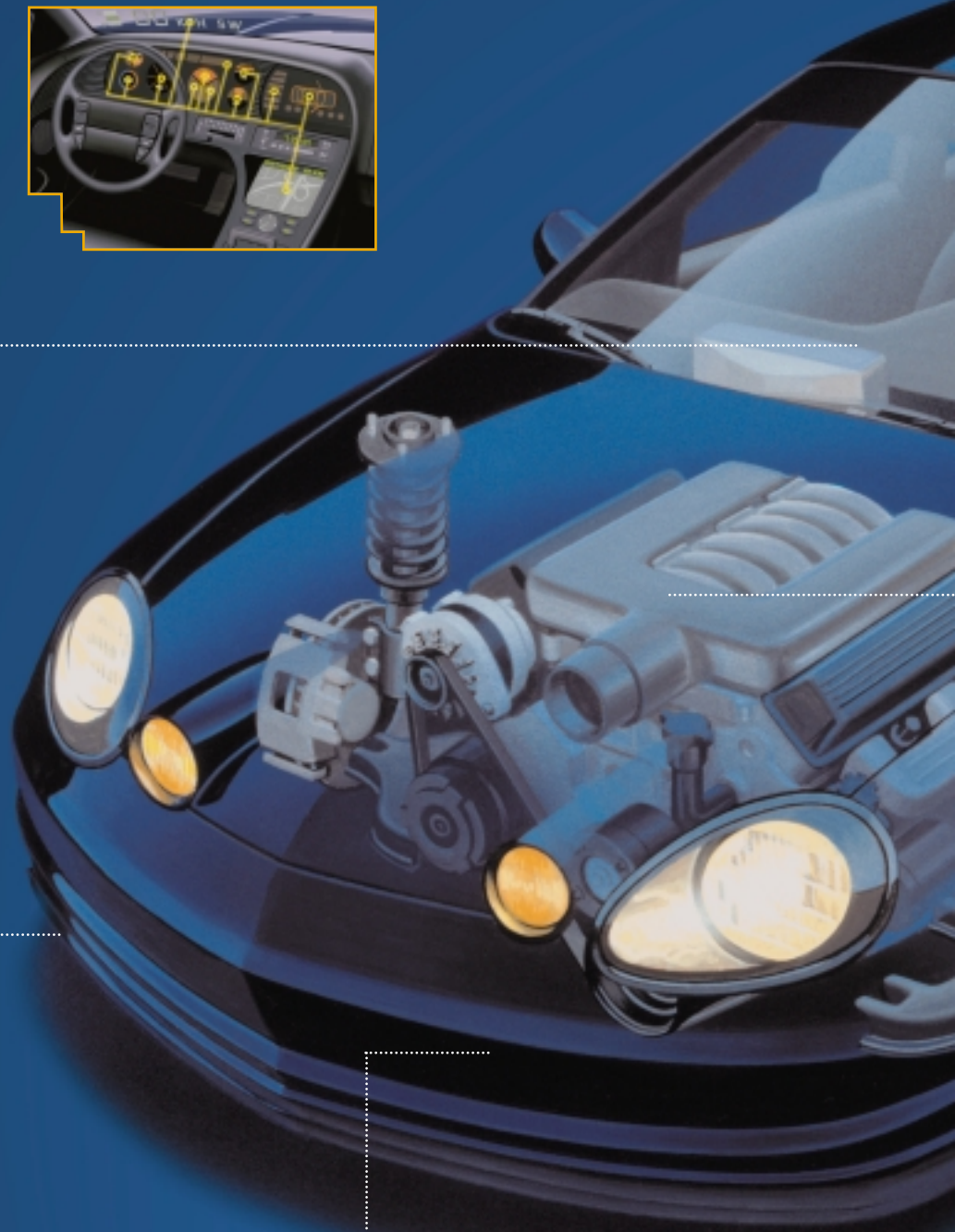
Timer Steckverbinder
Timer Connectors

TYCO ELECTRONICS GLOBAL AUTOMOTIVE DIVISION

▶ Driver Information



▶ Safety



▶ Body



THE 7 APPLICATION AREAS



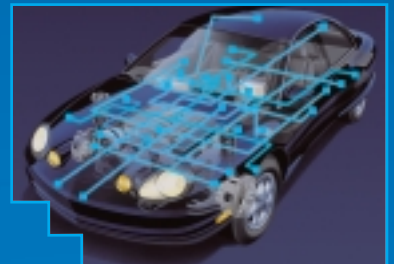
Convenience



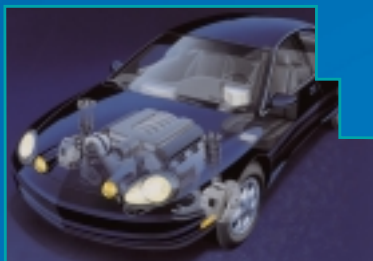
Powertrain
Systems



Security



Chassis
Systems





► Powertrain Systems

1. Motormanagement

In the future, the requirements for a 'responsible' fuel consumption and legal emission limits will be even tighter than today's. At the same time the car manufacturers have to meet increasing requirements from the customers concerning higher and safer performance. An improved engine and powertrain management will help them to meet these challenges.

A whole series of abbreviations is used to identify new high-tech developments, such as TBI (Throttle Body Injection), MPI (Multi Point Injection) or Full EM (Fully-integrated digital Engine Management). As a result of the described developments, individual mechanical components are gradually being replaced by "drive by wire"-Systems. Sensors and electronically controlled ignitions will control the fuel supply, air flow and circulation of the exhaust gasses.

Tyco Electronics is extremely familiar with the special requirements of the engine environment: Our connector sealing systems protect the electrical connections from the influence of gasses and liquids in the engine compartment. Special contact systems defy corrosion caused by contact vibration. Tyco Electronics employs the advancements in the Mechatronics technology, for the development of shaped Connecting instruments, that simplify the connection of electronic systems with several components.

New connector systems for the engine environment will connect many sensors, control instruments and actuators. Once more the Mechatronics technology has shown the way, with the development of intelligent connectors for the new generation of actuators.

Tyco Electronics is also developing solutions for High-Density-seals, using our experience with various technologies and products.

2. Powertrain Management Systems

Also for powertrain systems the electrical share is increasing. Manual drive housings with electronic couplings are already common in heavy trucks with many speeds, and are increasingly built in smaller cars.

Tyco Electronics has developed a complete range of specific connector solutions in this field and offers contact systems that meet all requirements for the powertrain control. This includes special mating devices, based on modular and hybrid concepts. Depending on the version, these connectors are suitable for cable core diameters of 0.2 to 3 mm² – from two, to several hundreds of contacts.

► Chassis Systems

For chassis systems the requirements for the electronics are very special: high pole connectors are required, which are small at the same time. Our new connector systems for control equipment and sensors enhance the performance and the quality of the ride stabilization (DSC3/ESP/TRUST) resp. – control of the active shock absorbing and comfort electronics – e.g. for the electronic adjustment of the mirrors and seats.



Whether transverse, longitudinal or rotation acceleration sensors, steering angle sensors or sensor controlled head light control – the individual electronic components and control devices of modern chassis are increasingly networked.

Chassis Systems

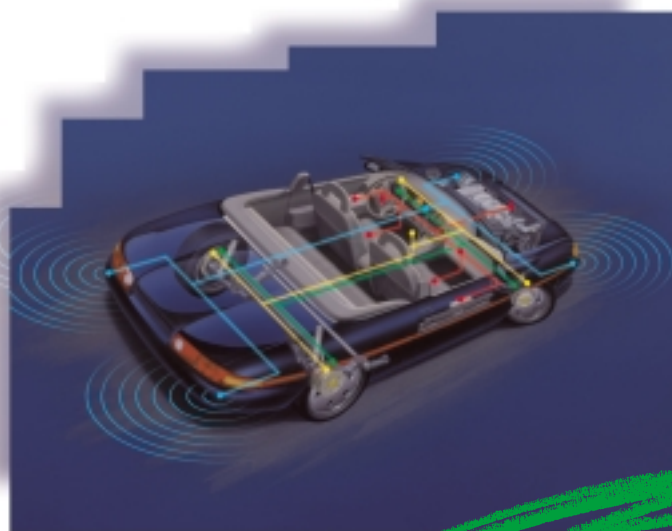
► Safety Systems

Safety systems of all kinds are a particularly important application area for intelligent systems in the automotive technology. Within a foreseeable period of time, all cars, from the luxurious limousine to the economical small car, will be fitted with intelligent systems that will help save lives.

Anti-lock brakes (ABS) help to prevent accidents, while other systems – e.g. airbags or safety belt pre-tensioners – reduce the risk of injuries, should an accident occur. The increasing implementation of these and similar systems, that register for example the presence of the passengers sets higher requirements concerning the precise coordination of the multiple electronic systems.

The passenger safety is improved even more by intelligent navigation control, distance warning systems and blind spot control. After an accident GPS and automatic telephone dialing will call for immediate help at the accident site.

The Tyco Electronics connector products for the automotive industry are extremely suitable for safety systems such as airbags and seatbelt pre-tensioners. Flexible flat cable (FFC), cable for the driver airbag as well as discrete cable lead assemblies are used. All these Tyco Electronics components are thoroughly tested for their quality.



In addition Tyco Electronics has extensive technological competence in the field of wireless technologies (High frequency and microwave applications). Tyco Electronics offers radar sensors and the suitable connectors – sealed and unsealed, wire to pc board, pc board to pc board – for airbags, seatbelt pre-tensioner systems, and ABS/ASR-Systems.

Tyco Electronics is the ideal strategic partner, in order to develop and implement customer specific modules.

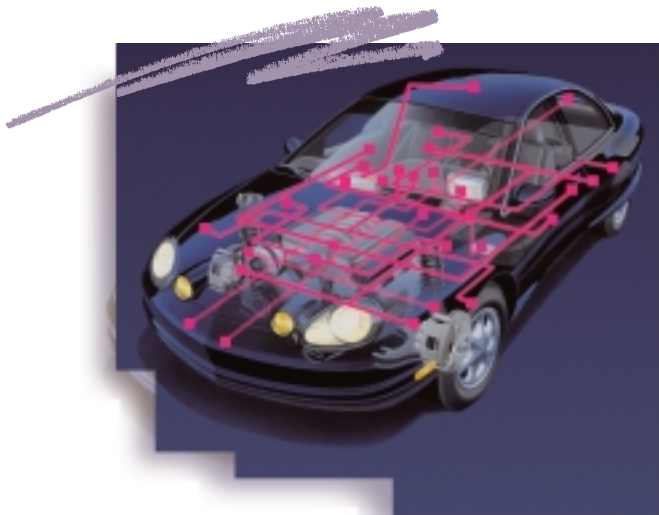
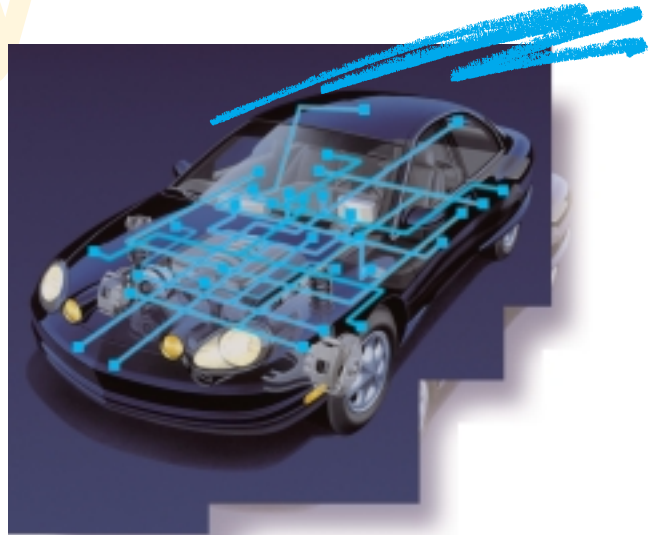
Safety

Security

▶ Security

Crime is a serious problem all over the world and vehicle theft occurs not only in large cities but also in small areas. Therefore break-in and theft warning systems will receive more attention in the automotive industry. Now already an immobilizer is included in almost any new car.

The Tyco Electronics-Products are most suitable for both systems. In addition Tyco Electronics also offers solutions in the field of wireless technology (Radar applications). Tyco Electronics is the reliable partner for safe technologies.



▶ Body

In a world wide co-operation with various producers and suppliers, Tyco Electronics develops and produces innovative solutions for body applications. This enabled for example the current introduction of a new generation of headlights in the market: HID (High Intensity Discharge) headlights enable driving at night with a light similar to daylight without blinding oncoming traffic. This because the angle of the light beam is automatically adapted to the actual weight distribution in the vehicle. Despite the high voltage required on HID headlight connectors are extremely compact and are available in shield versions or with integrated electronic components.

Body

► Driver Information

Many high-tech electronic systems, that improve comfort, increase the active and passive safety and facilitate communication and navigation, are currently fitted into cars.

Examples of these systems are

- Automatic climate control,
- Airbags,
- Seatbelt pre-tensioning systems,
- Anti-lock brake systems,
- Traction control,
- Collision warning systems and
- (Satellite-)Navigation systems.

Now these systems are becoming increasingly common and the demands of the driver concerning the performance and easy access to the status information of these systems is also increasing. Therefore more electronic displays will be used.

These displays will offer more information than the standard information of normal dashboards.

They will show the status of the safety and comfort systems mentioned, the information provided by the navigation, communication and maintenance systems.

Connector systems for the auto cockpit of the future must be increasingly advanced in order to meet the requirements for faster signal transfer, reduced mass and reduced cost.

Tyco Electronics already plays a key role in the connector technology for dashboards and in the development of contact systems for the cockpit of the future.



Driver Information



Convenience

For some people their car is just a means of transport. For others it is a mobile communication center.

With the help of the Tyco Electronics-Technologies you can get comfortable in that environment, for example by programming driver specific settings for the seat, mirror and air conditioning.

Digital technology offers the basis for revolutionary developments in car phones and car entertainment systems. The use of radio data and traffic management systems, linked to the current digital telephones and CD-players, is just an example of this.

Digital electronics will simplify the integration of various functions. The data transfer via plastic fibre-optics and high-performance multiplexer connections will play an important role in this field.

Telephone, Radio and GPS-Navigation instruments and the related electronics fittings will require more refined connector systems. The technology of speech recognition will help drivers to concentrate on critical tasks and they will no longer need to be distracted by operating the telephone or functions of the dashboard. Emergency services are automatically called via the car phone when sensors detect an accident.

Convenience

Tyco Electronics wächst – um Ihren Anforderungen an elektronische Bauteile und Systeme gerecht zu werden

Tyco Electronics, der größte Geschäftsbereich von Tyco International Ltd., wurde im September 1999 gegründet. Er ging hervor aus der Verschmelzung der Firmen Elcon Products, Raychem und AMP, die Tyco alle im gleichen Jahr erworben hatte. Verbunden mit weiteren Übernahmen wie die des Geschäftsbereichs „Elektromechanische Komponenten“ der Siemens AG, des elektronischen OEM-Geschäfts von Thomas & Betts, Critchley und anderen, ist Tyco Electronics heute der weltweit größte Anbieter passiver Bauteile mit einem Produktangebot in 21 passiven und aktiven Produktsegmenten.

Vor kurzem haben wir unsere Leistungspalette durch den Erwerb des Geschäftsbereichs Power Systems von Lucent Technologies erheblich erweitert. Tyco Electronics kann Ihnen jetzt AC-DC- und DC-DC-Energielösungen von höchster Qualität für einen breiten Anwendungsbereich bieten, angefangen bei kleinen Energiemodulen für Laptops bis hin zu sehr großen eigenständigen Systemen mit einer Verarbeitungsrate von bis zu 10.000 Ampere.

Als Ergänzung zu unseren Energiesystemen umfaßt unser Produkt-Portfolio Steckverbindersysteme und Verarbeitungsmaschinen, aktive und passive Lichtwellenleiter-Vorrichtungen, „Wireless“-Komponenten (inkl. ICs, Radarsensoren und komplette Kommunikationssysteme), Wärmeschumpfprodukte, PolySwitch-Schaltungsschutzvorrichtungen, magnetische Komponenten, Draht- und Kabelsysteme, Touchscreens, gedruckte Schaltungen und Rückwandplatten, Relais, Sensoren, elektronische Module, Batteriesätze, Klemmleisten und Schalter. Es ist unser Ziel, Marktführer in jedem dieser Bereiche zu werden.

Ein signifikantes Ergebnis unseres kontinuierlichen Wachstums und wirklicher Vorteil für unsere Kunden besteht darin, daß die technologische Führungsposition von Tyco Electronics noch stärker geworden ist. Durch Fachkompetenz und Synergien in Materialwirtschaft, im Produktdesign und bei der Fertigungsplanung erzielen wir zusammen mit unserem Netzwerk aus gut geschulten Anwendungstechnikern und Verkaufsmitarbeitern nicht nur herausragende Leistungen im Kundendienst, sondern unterstützen Sie in Ihrem Bestreben, die kommende Generation Ihrer Produkte erfolgreich zu machen. Rufen Sie uns an! Wir sind für Sie da.



Tyco Electronics AMP @online

Internet Homepage: <http://www.tycoelectronics.com>
<http://www.amp.com>
Elektronischer Katalog: <http://catalog.tycoelectronics.com>
Deutsche Homepage: <http://www.amp.de>
E-Mail: AMPKontakt@tycoelectronics.com

Unsere Website ist mehr als nur ein Internet-Führer. Sie wird ständig erweitert und ist eine innovative und interaktive Quelle für Anwendungstips, Produkt-Aktualisierung und technische Informationen aller Art. Mit unserer innovativen StepSearch-Software, die in mehreren Jahren zur Perfektion herangereift ist, können Sie bequem durch alle Produkte surfen.

Product Information Center (PIC)

Unser PIC-Team hilft Ihnen weiter. Mit unseren erfahrenen Mitarbeitern im Product Information Center (PIC) bieten wir Ihnen eine zuverlässige Informationsquelle zur Unterstützung bei technischen Fragen.

Telefon: (06251) 133-1999,
Telefax: (06251) 133-1988 oder
E-Mail: Germany-PIC@tycoelectronics.com.

Außerhalb von Deutschland wenden Sie sich bitte an die jeweils zuständige Länder-Niederlassung.



Produkt- und Maschinen-Literatur

Einfach und schnell per Fax bestellen: Telefax (0 6103) 709-1619.

Eine große Produktpalette bedeutet auch umfangreiche Produkt-Literatur. Sie können zu jedem für Sie relevanten Produktbereich Broschüren, Kataloge und Flyer anfordern.

Katalog-Service: Telefon (0 6103) 709-1659, Telefax (0 6103) 709-1619 oder E-Mail: AMPKontakt@tycoelectronics.com

Tyco Electronics

Growing to meet your electronic component and system needs

Tyco Electronics, the largest division of Tyco International Ltd., was established in September 1999 when Tyco merged with Elcon Products, Raychem and AMP, all acquired earlier the same year. Combined with further acquisitions such as the Electromechanical Components division of Siemens, the Electronic OEM division of Thomas & Betts, Critchley and others, Tyco Electronics is now the world's largest passive component supplier, with product ranges in 21 passive and active product segments.

Recently, our capabilities expanded considerably with the acquisition of the Power Systems division of Lucent Technologies. This allows Tyco Electronics to offer you high-quality AC-DC and DC-DC power solutions for a broad range of applications, from small power modules for laptop computers to very large stand-alone systems capable of handling up to 10,000 amperes.

Today, in addition to power systems, our product portfolio encompasses connector systems and application tooling, active and passive fiberoptic devices, wireless components (including ICs, radar sensors and complete communications systems), heat shrink products, PolySwitch circuit protection devices, magnetic components, wire and cable systems, touchscreens, PC boards and backplanes, relays, sensors, electronic modules, battery packs, terminal blocks and switches. Our goal is to be the market leader in each of these segments.

A significant result of our continued growth and a real benefit to our customers is that Tyco Electronics' technology leadership has become even stronger. Our expertise and synergies in materials science, product design and process engineering, coupled with our network of well-trained application engineers and sales representatives, allows us not only to provide superior customer service, but also to better assist you in making your next generation of products successful.

Call us – we're ready to help.



Tyco Electronics AMP @online

Internet Homepage: <http://www.tycoelectronics.com>
<http://www.amp.com>

Electronic Catalog in the Internet: <http://catalog.tycoelectronics.com>

To be close to our customers worldwide is an essential part of our success.

The Tyco Electronics AMP Website is more than merely an Internet-guide. It is an innovative and interactive source for application tips, product update and technical information. This Website is available in eight languages. With our StepSearch-Software you can easily surf through all of our product lines.

Product Information Center (PIC)

You can rely on our PIC Team's support.

Our experienced staff is an additional information source, and the team has been particularly trained to answer your technical questions.

To reach our PIC, please contact your local Tyco Electronics AMP company.



Product and Machine Literature

Product and machine literature quick and easy by fax.

A wide range of products also requires an extensive literature stock. We can provide you with brochures, catalogs and flyers for every product program of your interest.

Our catalog service team supports you in selecting and ordering the appropriate catalog. To get product and application tooling catalogs quickly and easily, please contact your local Tyco Electronics company.

Inhalt	Seite	Inhalt	Seite	Table of Contents	Page	Table of Contents	Page
Einleitung	1	Gehäuse		<i>Introduction</i>	1	Housings	
Kontakte		Timer Gehäuse und Messerleisten	31	Contacts		Timer Housings and Tab Headers	31
Micro Timer I Kontakte	2	Junior Timer Gehäuse mit Verriegelungsfeder und Dichtung	32–37	Micro Timer I Contacts	2	Junior Timer Housings with Locking Spring and Seal	32–37
Micro Timer II Kontakte	3–5	Einhebel-Technik	38	Micro Timer II Contacts	3–5	Pivot Principle	38
Passende Flachstecker, 1,6 mm x 0,6 mm mit symmetrischer Stahlüberfeder	6–7	Weitere Junior Timer und Junior Power Timer Gehäuse, gedichtet und ungedichtet	39–47	<i>Mating Tabs, 1.6 mm x 0.6 mm, with Symmetric Cantilever Steel Spring</i>	6–7	Additional Junior Timer and Junior Power Timer Housings, Sealed und Unsealed	39–47
Junior Timer Kontakte	8–9	Messerleisten, Zweireihig und Dreireihig	48–56	Junior Timer Contacts	8–9	Tab Headers, Double Row and Triple Row	48–56
Junior Power Timer Kontakte	10–13	Gehäuse für Junior Power Timer Kontakte, Länge 21,0 mm, auf Basis Einzelleiter-Dichtungs-System für Aggregat-Anschluß	57–67	Junior Power Timer Contacts	10–13	Housing for Junior Power Timer Contacts, 21.0 mm Length, Based on Single Wire Sealing System for Aggregate Application	68
Passende Flachstecker, 2,8 mm x 0,8 mm, mit unsymmetrischer Stahlüberfeder	14	Gehäuse für Junior Power Timer und Micro Timer II Kontakte, Länge 18,0 mm, auf Basis Einzelleiter-Dichtungs-System für Aggregat-Anschluß	68	<i>Mating Tabs, 2.8 mm x 0.8 mm, with Asymmetric Cantilever Steel Spring</i>	14	Housing for Junior Power Timer and Micro Timer II Contacts, 18.0 mm Length, Based on Single Wire Sealing System for Aggregate Application	69
Passende Flachstecker, 2,8 mm x 0,8 mm, mit symmetrischer Stahlüberfeder	15–16	Gehäuse für Power Timer und Micro Timer II Kontakte, Länge 21,0 mm, auf Basis Einzelleiter-Dichtungs-System	69	Standard Timer Kontakte	18	Housing for Power Timer and Micro Timer II Contacts, 21.0 mm Length, Based on Single Wire Sealing System	70–71
Passende Flachstecker, seitengeführt, 2,8 mm x 0,8 mm	17	Junior Timer und Junior Power Timer Gehäuse, 4–22polig	70–71	Standard Power Timer Kontakte	19–21	Housing for Power Timer and Micro Timer II Contacts, 21.0 mm Length, Based on Single Wire Sealing System	72
Standard Timer Kontakte	18	Junior Power Timer Gehäuse, 6–21polig	72	<i>Mating Tabs, 4.8 mm, with Asymmetric Cantilever Steel Spring</i>	22	Junior Timer and Junior Power Timer Housings, 4–22 Positions	73–76
Standard Power Timer Kontakte	19–21	Junior Timer und Junior Power Timer Gehäuse für Autoradio-Anschluß nach ISO-TC 22/WG 5	73–76	Maxi Power Timer Kontakte	26–27	Junior Power Timer Housings for Car Radio Application acc. to ISO-TC 22/WG 5	77–80
Passende Flachstecker, 4,8 mm, mit unsymmetrischer Stahlüberfeder	22	Junior Timer und Junior Power Timer Gehäuse, 2-, 4-, 6-, 8- und 14polig, für Leiter-an-Leiter Verarbeitung	77–80	<i>Mating Tabs, 9.5 mm x 1.2 mm, with Symmetric Cantilever Steel Spring</i>	28	Junior Timer and Junior Power Timer Housings, 2-, 4-, 6-, 8- and 14 Pos., for Wire-to-Wire Application	81
Passende Flachstecker, 5,8 mm x 0,8 mm, mit symmetrischer Stahlüberfeder	23–24	Sicherungshalter mit zweiter Kontaktsicherung	81	Single Wire Sealing	29–30	Fuse Holder with Secondary Locking Feature	83–109
Passende Flachstecker, seitengeführt, 6,3 mm x 0,8 mm, nach DIN 46343	25	Verarbeitungs-Werkzeuge und Maschinen	83–109			Application Tooling and Equipment	110–114
Maxi Power Timer Kontakte	26–27	Nummern-Verzeichnis	110–114			Numerical Index	110–114

AMP Timer-Steckverbinder

Einleitung

Die AMP Timer-Flachsteckverbindung wird hauptsächlich in der Automobil- und Hausgeräte-Industrie eingesetzt.

Die Kontakte bestehen aus einem Flachkontakt, der als Gegenstück einen Flachstecker kontaktiert. Der Flachkontakt besitzt zwei bzw. vier voneinander unabhängige Kontaktfedern. Neben dem einteiligen Kontakt werden heute zweiteilig aufgebaute Kontakte, bestehend aus Kontaktgrundkörper und Stahlüberfeder (Power-Kontakte) eingesetzt. Hierdurch werden die elektrischen und mechanischen Funktionen des Kontaktes getrennt.

Der Kontaktkörper ist somit für die elektrische Funktion des Kontaktes verantwortlich. Die Kontaktüberfeder sorgt für ein geringes Abfallen der Kontakt-Normalkraft über die gesamte Lebensdauer.

Weiterhin sind an der Stahlüberfeder überwiegend zwei Rastzungen angebracht, die den Kontakt sicher in der Gehäusekammer verastern und damit hohe Kontaktausreißkräfte gewährleisten.

Schließlich kann über die Stahlüberfeder, die meist als Kasten ausgebildet ist, die zweite Kontaktsicherung im Gehäuse zuverlässig realisiert werden.

Alle Timer-Kontakte sind miteinander in einem Stecker auch unter Verwendung der zweiten Kontaktsicherung kombinierbar. Die Anwendung läßt auch den Einsatz in einschwenkbaren Steckern zu.

Die Flachkontakte und die Flachstecker können prinzipiell in nicht wasserdichten sowie in wasserdichten Steckverbindungen eingesetzt werden. Die Kontakte für das Einzeldichtungs-System unterscheiden sich hierbei ausschließlich im größeren Isolationscrimp, der die Einzeldichtung mit der Leitung vercrimpt.

Die Timer-Kontakte lassen sich mit AMP-Handzangen sowie mit AMP Halb- oder Vollautomaten schnell und wirtschaftlich an die Leitung anschlagen und können bei Bedarf anschließend vollautomatisch in die Gehäusekammer verrastet werden.



Die AMP Timer-Steckverbindungen können als fliegende Kupplung in einem Kabelbaum oder als Flachkontaktgehäuse und Messerleiste (Aggregat-Anschluß) ausgeführt werden. Die Timer-Steckverbindungen sind toleranz-unempfindlich in Bezug auf das Raster der Flachstecker in der Messerleiste. Ein weiterer Vorteil ist die weitgehende Unempfindlichkeit des Kontaktsystems gegen schräges Stecken. Die Kontaktgeometrie gewährleistet auch bei Schiefstellung der Steckungen in jedem Fall eine sichere Kontaktierung.

Um das Flachkontaktsystem an Schnittstellen einsetzen zu können, an denen Signalströme, mittlere Ströme sowie Lastströme bis über 70 A übertragen werden sollen, wurde das Kontaktsystem in vier Größen aufgeteilt:

- Micro Timer
- Junior Timer und Junior Power Timer
- Standard Timer und Standard Power Timer
- Maxi Power Timer

With multiway connectors the single lever method is usually employed (sequential insertion distributed along an angled path). Using this method a single lever plug on the receptacle housing engages in one end of the multiple tab housing. The connector is then latched up to the final position. This system is relatively tolerant as regards the positioning of the contact tabs in the housing. An additional advantage is that the contact system is, to a large degree, insensitive to crooked insertion. Even when the tabs are not straight the contact geometry ensures firm contact.

In order that the flat contact system can be employed at interfaces with signal currents of medium strengths as well as with load currents more than 70 A the contact system is divided into four sizes:

- Micro Timer
- Junior Timer and Junior Power Timer
- Standard Timer and Standard Power Timer
- Maxi Power Timer

AMP Timer Connectors

Introduction

The comprehensive range of AMP Timer Connectors are extensively used in the automotive and consumer appliance industries.

Each contact consists of a flat receptacle, which mates with a flat tab. The receptacle has two resp. four contact springs, which are independent of each other. Two-piece contacts with a steel top spring are pre-dominantly.

This two-piece contact design means that the electrical and mechanical properties are separated. One end of the contact body is either crimped to wire, or soldered to a printed circuit board. The other end of the contact body mates with the matching tab. The contact body is responsible for the electrical characteristics, while the top spring ensures that contact force is maintained under all circumstances. Reduction in contact force due to stress relaxation at elevated temperature is thus minimized.

In addition there are usually two lances on the steel to spring. These serve to lock the contact securely into the housing.

Secondary locking of the contact in the housing can be achieved by means of the steel top spring, which usually takes the form of a box.

All versions of Timer contacts can be combined easily in one connector without renouncing secondary locking device. Application in connectors which contacts by means of swiveling is possible.

Tabs and receptacles can be applied in both watertight and non-watertight connectors. Timer contacts can be rapidly and economically attached to the lead using AMP hand, semi-automatic or fully-automatic tooling. If required they can then be inserted into the housing in a fully-automatic operation.

AMP Timer connectors are available as receptacle and tab housings (free-hanging coupling in a wiring harness) or as receptacle housings and multiple tabs (group connection). With the free-hanging coupling type the housings, with up to 100 contacts, are then secured by means of a separate locking device.

Micro Timer I Kontakte

Technische Daten

Kontaktmaterial:

CuSn, CuFe,
Überfeder aus rostfreiem Stahl

Kontaktoberfläche:

vorverzinnt,
selektiv vergoldet auf Anfrage

Leiterquerschnittsbereich:

0,2–1,5 mm² (FLR)

Kontakt-Übergangswiderstand
(Neuzustand):

CuSn: < 5 mΩ
CuFe: < 4 mΩ

Max. Gesamttemperatur:

–40 °C bis +120 °C (verzinnt)
–40 °C bis +140 °C (vergoldet)

Anzahl der Steckzyklen:

10 (verzinnt)
100 (vergoldet)

Steckkraft:

max. 5 N (Messung mit Prüfflach-
stecker 0,8 mm dick)

Ziehkraft:

min. 2 N (Messung mit Prüfflach-
stecker 0,8 mm dick)

Ausreißkraft (aus Gehäuse):

- ohne 2. Kontaktsicherung
> 25 N
- nur 2. Kontaktsicherung
> 100 N

abhängig vom Gehäusematerial

Abmessungen

des Kontaktmessers:
1,6 mm x 0,8 mm

Rastermaße

Einteiliges Gehäuse:

0,75 mm² = min. 3,0 x 3,0 mm

Zweiteiliges Gehäuse:

0,75 mm² = min. 3,0 x 3,7 mm

Ausdrückwerkzeug:

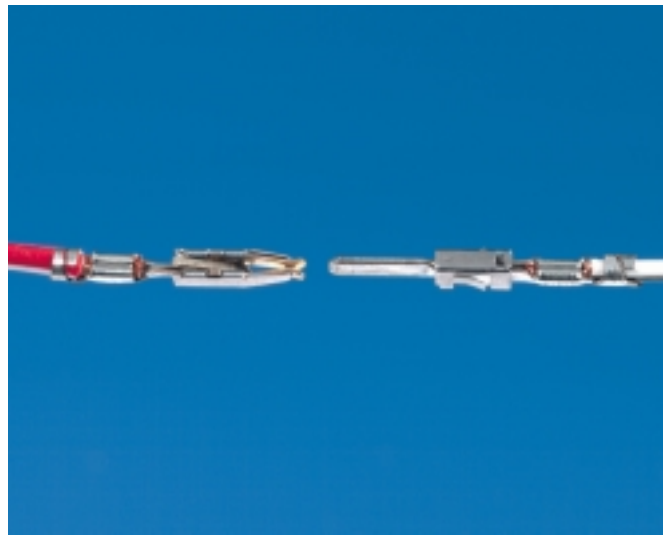
Best.-Nr. 726510-1

Produkt-Spezifikation:

108-18024

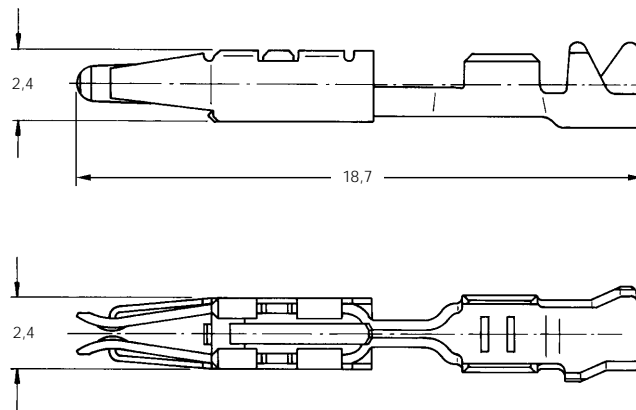
Verarbeitungs-Spezifikation:

114-18163



Standard

Standard

Max. Strom:
im 9poligen GehäuseMax. Current:
in 9 Positions Housing

Material Material	Temperatur Temperature (°C)	Strombelastbarkeit/Current Carrying Capacity A		
		0,35 mm ²	0,50 mm ²	0,75 mm ²
CuSn	20	3,0	5,0	8,0
	90	1,5	2,0	4,0
CuFe	20	4,0	6,0	10,0
	90	1,5	2,5	5,0

Micro Timer I Contacts

Technical Features

Contact Material:

CuSn, CuFe,
cantilever spring stainless steel

Contact Finish:

pre-tin plated,
selective gold plated on request

Wire Size Range:

0.2–1.5 mm² (FLR)

Contact Resistance

(New State):
CuSn: < 5 mΩ
CuFe: < 4 mΩ

Total Temperature max.:

–40 °C to +120 °C (tin plated)
–40 °C to +140 °C (gold plated)

Mating Cycles:

10 (tin plated)
100 (gold plated)

Insertion Force:

max. 5 N
(proof tab 0.8 mm thick)

Extraction Force:

min. 2 N
(proof tab 0.8 mm thick)

Retention Force (from Housing):

- without second locking device
> 25 N
- second locking device only
> 100 N

depends on housing material

Dimensions

of Male Contacts:
1.6 mm x 0.8 mm

Centerlines

Single Housings:

0.75 mm² = min. 3.0 x 3.0 mm

Double Housings:

0.75 mm² = min. 3.0 x 3.7 mm

Extraction Tool:

Part No. 726510-1

Product Specification:

108-18024

Application Specification:

114-18163

Standard

Standard

Leiterquer- schnittsbereich Wire Size Range (mm ²)	Isolierungsdurchmesser Insulation Diameter (mm) max. FLR	Material und Oberfläche* Material and Finish*	Kontakt-Bestell-Nummern/Contact Part Numbers				Bestell-Nummern/Part Numbers	
			Band- ausführung Strip Form	Packungs- einheit Packaging Unit	Einzel- ausführung Loose-Piece	Packungs- einheit Packaging Unit	Anschlag- werkzeug Applicator	Handzange/Hand Tool 539635-1 Matrize/Die Set
0,20–0,50	1,2–1,6	-1/-3	929950	7.500	929951	500	x-878467-x	539739-2
0,50–1,00	1,4–2,1	-1/-3	929952	6.000	929953	500	x-878468-x	539739-2
1,00–1,50	1,9–2,4	-1/-3	929954	5.000	929955	500	x-878469-x	539739-2
0,35–0,75	1,2–1,9	-1	928939	6.000	929927	1.000	x-878376-x	539739-2

* Material und Oberfläche:

-1 = CuSn, vorverzinnt
-3 = CuFe, vorverzinnt

* Material and Finish:

-1 = CuSn, pre-tin plated
-3 = CuFe, pre-tin plated

Micro Timer II Kontakte

Technische Daten

Kontaktmaterial:

CuSn, CuFe,
Überfeder aus rostfreiem Stahl

Kontaktoberfläche:

vorverzinnt,
selektiv vergoldet auf Anfrage

Leiterquerschnittsbereich:

0,2–0,5 mm² (FLR)
0,5–1,0 mm² (FLR)

Kontakt-Übergangswiderstand (Neuzustand):

CuSn: < 5 mΩ
CuFe: < 4 mΩ

Max. Gesamttemperatur:

–40 °C bis +120 °C (verzinnt)

Anzahl der Steckzyklen:

10 (verzinnt)
100 (vergoldet)

Steckkraft:

max. 4 N (Messung mit Prüfflach-
stecker 0,6 mm dick)

Ziehkraft:

min. 2 N (Messung mit Prüfflach-
stecker 0,6 mm dick)

Ausreißkraft (aus Gehäuse):

- ohne 2. Kontaktsicherung
> 25 N
 - nur 2. Kontaktsicherung
> 100 N
- abhängig vom Gehäusematerial

Abmessungen des Kontaktmessers:

1,6 mm x 0,6 mm

Rastermaße:

3,25 mm x 4,0 mm (kleinstmöglich)

Ausführung in Einzeldichtung:

4,0 mm x 4,0 mm (kleinstmöglich)

Ausdrückwerkzeug:

Best.-Nr. 726534-1

Produkt-Spezifikation:

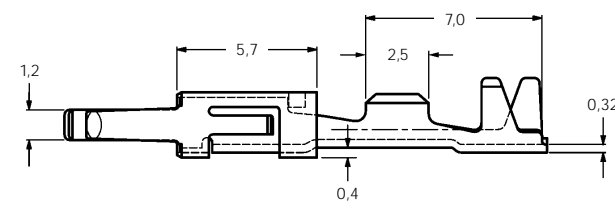
108-18055

Verarbeitungs-Spezifikation:

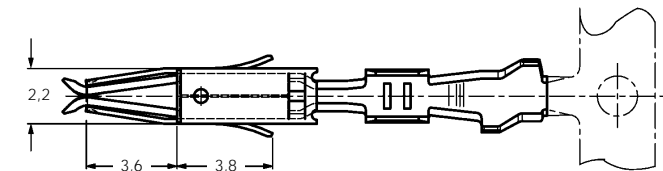
114-18081



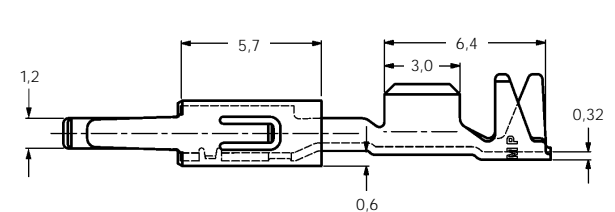
Standard



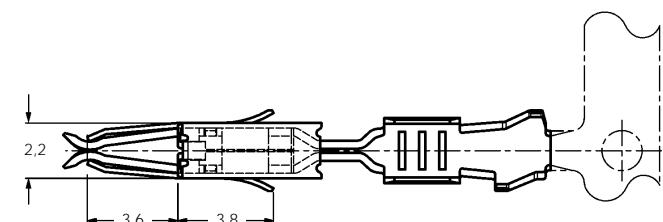
Standard



Mit Rundumschulter



With Modified Spring



Max. Strom:
im 68poligen Gehäuse

Max. Current:
in 68 Positions Housing

Material Material	Temperatur Temperature (°C)	Strombelastbarkeit/Current Carrying Capacity A		
		0,35 mm ²	0,50 mm ²	0,75 mm ²
CuSn	20	3,0	5,0	8,0
	90	1,5	2,0	4,0
CuFe	20	4,0	6,0	10,0
	90	1,5	2,5	5,0

Micro Timer II Contacts

Technical Features

Contact Material:

CuSn, CuFe,
cantilever spring stainless steel

Contact Finish:

pre-tin plated,
selective gold plated on request

Wire Size Range:

0.2–0.5 mm² (FLR)
0.5–1.0 mm² (FLR)

Contact Resistance (New State):

CuSn: < 5 mΩ
CuFe: < 4 mΩ

Total Temperature max.:

–40 °C to +120 °C (tin plated)

Mating Cycles:

10 (tin plated)
100 (gold plated)

Insertion Force:

max. 4 N
(proof tab 0.6 mm thick)

Extraction Force:

min. 2 N
(proof tab 0.6 mm thick)

Retention Force (from Housing):

- without second locking device
> 25 N
 - second locking device only
> 100 N
- depends on housing material

Dimensions

of Male Contacts:
1.6 mm x 0.6 mm

Modular Dimensions:

3.25 mm x 4.0 mm (smallest)

Version in Single Seal:

4.0 mm x 4.0 mm (smallest)

Extraction Tool:

Part No. 726534-1

Product Specification:

108-18055

Application Specification:

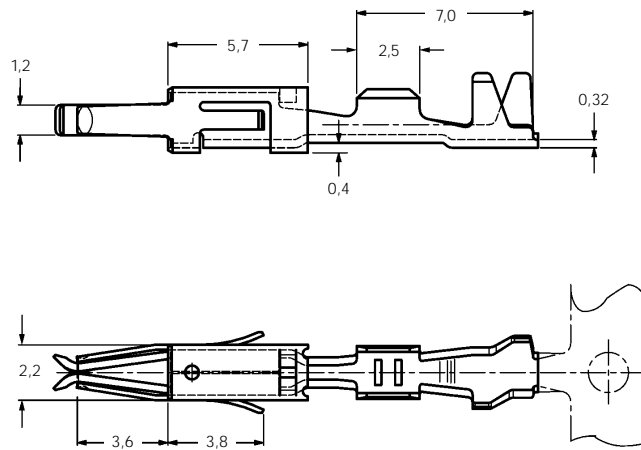
114-18081

Micro Timer II Kontakte (Fortsetzung)

Standard

Standard

Micro Timer II Contacts (continued)



Produkt-Spezifikation:
108-18055

Verarbeitungs-Spezifikation:
114-18081

Product Specification:
108-18055

Application Specification:
114-18081

Standard

Standard

Leiterquerschnittsbereich Wire Size Range (mm ²)	Isolierungsdurchmesser Insulation Diameter (mm) max. FLR	Material und Oberfläche* Material and Finish*	Kontakt-Bestell-Nummern/Contact Part Numbers				Bestell-Nummern/Part Numbers	
			Band- ausführung Strip Form	Packungs- einheit Packaging Unit	Einzel- ausführung Loose-Piece	Packungs- einheit Packaging Unit	Anschlag- werkzeug Applicator	Handzange/Hand Tool 539635-1 Matrize/Die Set
0,2-0,5	1,15-1,60	-1/-2	962942	7.000	962944	7.300	x-878607-x	539663-2
0,5-1,0	1,40-2,00	-1/-2	962943	6.000	962945	6.000	x-878608-x	539663-2

Einzeldichtungs-System

Single Wire Sealing System

Leiterquerschnittsbereich Wire Size Range (mm ²)	Isolierungsdurchmesser Insulation Diameter (mm) max. FLR	Material und Oberfläche* Material and Finish*	Kontakt-Bestell-Nummern/Contact Part Numbers				Bestell-Nummern/Part Numbers	
			Band- ausführung Strip Form	Packungs- einheit Packaging Unit	Einzel- ausführung Loose-Piece	Packungs- einheit Packaging Unit	Anschlag- werkzeug Applicator	Handzange/Hand Tool 539635-1 Matrize/Die Set
0,2-0,5	1,2-2,8	-1/-2	962875	4.000	963710	500	x-878615-x	539651-2
0,5-1,0	1,2-2,8	-1/-2/-5	962876	4.000	963711	500	x-878616-x	539651-2

*** Material und Oberfläche:**

-1 = CuSn, vorverzinnt
-2 = CuFe, vorverzinnt
-5 = CuFe, selektiv vergoldet
Weitere Oberflächen auf Anfrage.

**Blindstopfen
und Einzeldichtungen:**

siehe Seite 29

*** Material and Finish:**

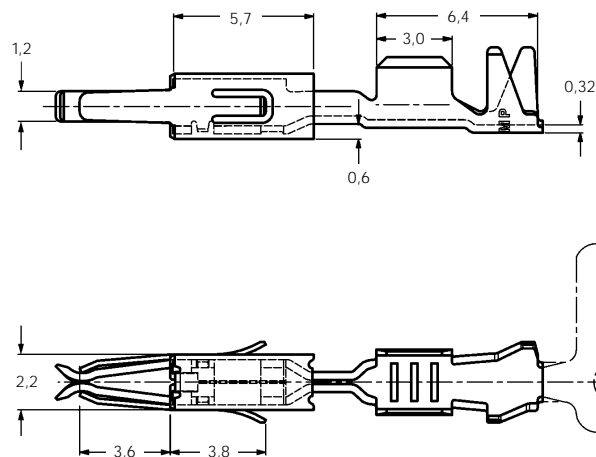
-1 = CuSn, pre-tin plated
-2 = CuFe, pre-tin plated
-5 = CuFe, selective gold plated
Additional Finishes on request.

**Dead End Plug
and Single Wire Seal:**

see page 29

Micro Timer II Kontakte
(Fortsetzung)**Produkt-Spezifikation:**
108-18055**Verarbeitungs-Spezifikation:**
114-18081

Mit Rundumschulter



With Modified Spring

Micro Timer II Contacts
(continued)**Product Specification:**
108-18055**Application Specification:**
114-18081

Mit Rundumschulter

With Modified Spring

Leiterquerschnittsbereich Wire Size Range (mm ²)	Isolierungsdurchmesser Insulation Diameter (mm) max. FLR	Material und Oberfläche* Material and Finish*	Kontakt-Bestell-Nummern/Contact Part Numbers				Bestell-Nummern/Part Numbers	
			Band-ausführung Strip Form	Packungseinheit Packaging Unit	Einzel-ausführung Loose-Piece	Packungseinheit Packaging Unit	Anschlagwerkzeug Applicator	Handzange/Hand Tool 539635-1 Matrize/Die Set
0,2-0,5	1,15-1,60	-2/-3	964261	7.500	964262	500	x-878947-x	539663-2
0,5-1,0	1,40-2,10	-2/-3	964263	6.000	964264	500	x-878948-x	539663-2

Einzeldichtungs-System mit Rundumschulter

Single Wire Sealing System with Modified Spring

Leiterquerschnittsbereich Wire Size Range (mm ²)	Isolierungsdurchmesser Insulation Diameter (mm) max. FLR	Material und Oberfläche* Material and Finish*	Kontakt-Bestell-Nummern/Contact Part Numbers				Bestell-Nummern/Part Numbers	
			Band-ausführung Strip Form	Packungseinheit Packaging Unit	Einzel-ausführung Loose-Piece	Packungseinheit Packaging Unit	Anschlagwerkzeug Applicator	Handzange/Hand Tool 539635-1 Matrize/Die Set
0,2-0,5	1,15-1,60	-2/-3	969005	4.000	969019	500	x-878965-x	539663-2
0,5-1,0	1,40-2,10	-2/-3	964274	4.000	964275	500	x-878949-x	539663-2

*** Material und Oberfläche:**

-2 = CuFe, vorverzinkt
 -3 = CuSn,
 Kontaktzone vergoldet
 Weitere Oberflächen auf Anfrage.

Blindstopfen und Einzeldichtungen:

siehe Seite 29

*** Material and Finish:**

-2 = CuFe, pre-tin plated
 -3 = Phosphor bronze,
 Contact area gold plated
 Additional Finishes on request.

Dead End Plug and Single Wire Seal:

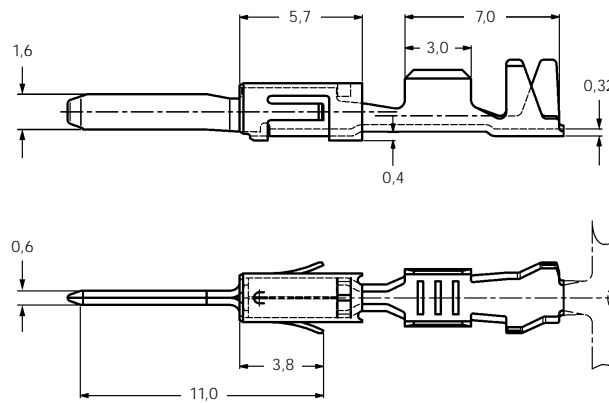
see page 29

Flachstecker
1,6 mm x 0,6 mm
mit symmetrischer
Stahlüberfeder,
passend zu Micro Timer II

Produkt-Spezifikation:
108-18223

Verarbeitungs-Spezifikation:
114-18082

Standard



Standard

Tabs
1.6 mm x 0.6 mm
with Symmetric
Cantilever Steel Spring,
Mates with Micro Timer II

Product Specification:
108-18223

Application Specification:
114-18082

Standard

Standard

Leiterquer- schnittsbereich Wire Size Range (mm ²)	Isolierungsdurchmesser Insulation Diameter (mm) max. FLR	Material und Oberfläche* Material and Finish*	Kontakt-Bestell-Nummern/Contact Part Numbers				Bestell-Nummern/Part Numbers	
			Band- ausführung Strip Form	Packungs- einheit Packaging Unit	Einzel- ausführung Loose-Piece	Packungs- einheit Packaging Unit	Anschlag- werkzeug Applicator	Handzange/Hand Tool 539635-1 Matrize/Die Set
0,2-0,5	1,15-1,60	-1/-2	963898	7.000	963899	500	x-878607-x	539663-2
0,5-1,0	1,40-2,10	-1/-2	963900	6.000	963901	500	x-878608-x	539663-2

Einzeldichtungs-System

Single Wire Sealing System

Leiterquer- schnittsbereich Wire Size Range (mm ²)	Isolierungsdurchmesser Insulation Diameter (mm) max. FLR	Material und Oberfläche* Material and Finish*	Kontakt-Bestell-Nummern/Contact Part Numbers				Bestell-Nummern/Part Numbers	
			Band- ausführung Strip Form	Packungs- einheit Packaging Unit	Einzel- ausführung Loose-Piece	Packungs- einheit Packaging Unit	Anschlag- werkzeug Applicator	Handzange/Hand Tool 539635-1 Matrize/Die Set
0,2-0,5	1,2-2,8	-1/-2	963902	4.000	963903	500	x-878615-x	539663-2
0,5-1,0	1,4-2,8	-1/-2	963904	4.000	963905	500	x-878616-x	539663-2

* **Material und Oberfläche:**

-1 = CuSn, vorverzinkt

-2 = CuFe, vorverzinkt

Weitere Oberflächen auf Anfrage.

**Blindstopfen
und Einzeldichtungen:**

siehe Seite 29

* **Material and Finish:**

-1 = CuSn, pre-tin plated

-2 = CuFe, pre-tin plated

Additional Finishes on request.

**Dead End Plug
and Single Wire Seal:**

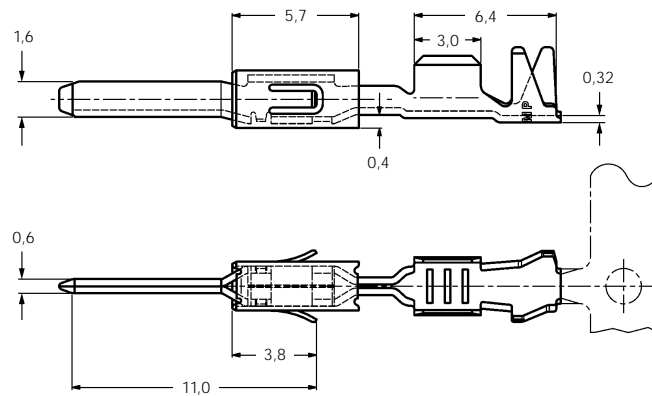
see page 29

Flachstecker
1,6 mm x 0,6 mm
mit symmetrischer
Stahlüberfeder,
passend zu Micro Timer II
(Fortsetzung)

Produkt-Spezifikation:
108-18223

Verarbeitungs-Spezifikation:
114-18082

Mit Rundumschulter



With Modified Spring

Tabs
1.6 mm x 0.6 mm
with Symmetric
Cantilever Steel Spring,
Mates with Micro Timer II
(continued)

Product Specification:
108-18223

Application Specification:
114-18082

Mit Rundumschulter

With Modified Spring

Leiterquer- schnittsbereich Wire Size Range (mm ²)	Isolierungsdurchmesser Insulation Diameter (mm) max. FLR	Material und Oberfläche* Material and Finish*	Kontakt-Bestell-Nummern/Contact Part Numbers				Bestell-Nummern/Part Numbers	
			Band- ausführung Strip Form	Packungs- einheit Packaging Unit	Einzel- ausführung Loose-Piece	Packungs- einheit Packaging Unit	Anschlag- werkzeug Applicator	Handzange/Hand Tool 539635-1 Matrize/Die Set
0,2-0,5	1,2-1,6	-2/-3	964265	7.500	964266	500	x-878947-x	539663-2
0,5-1,0	1,4-2,1	-2/-3	964267	6.000	964268	500	x-878948-x	539663-2

Einzel dichtungs-System mit Rundumschulter

Single Wire Sealing System with Modified Spring

Leiterquer- schnittsbereich Wire Size Range (mm ²)	Isolierungsdurchmesser Insulation Diameter (mm) max. FLR	Material und Oberfläche* Material and Finish*	Kontakt-Bestell-Nummern/Contact Part Numbers				Bestell-Nummern/Part Numbers	
			Band- ausführung Strip Form	Packungs- einheit Packaging Unit	Einzel- ausführung Loose-Piece	Packungs- einheit Packaging Unit	Anschlag- werkzeug Applicator	Handzange/Hand Tool 539635-1 Matrize/Die Set
0,2-0,5	1,2-2,6	-2/-3	969028	4.000	969029	500	x-878965-x	539663-2
0,5-1,0	1,4-2,6	-2/-3	964269	4.000	964270	500	x-878949-x	539663-2

* **Material und Oberfläche:**

-2 = CuFe, vorverzinkt
-3 = CuSn,
Kontaktzone vergoldet
Weitere Oberflächen auf Anfrage.

**Blindstopfen
und Einzeldichtungen:**

siehe Seite 29

* **Material and Finish:**

-2 = CuFe, pre-tin plated
-3 = Phosphor bronze,
Contact area gold plated
Additional Finishes on request.

**Dead End Plug
and Single Wire Seal:**

see page 29

Junior Timer Kontakte

Leiterquerschnittsbereich:

0,12–2,50 mm²
(auch für reduziert-isolierte Schaltlitzen geeignet)

Strombelastbarkeit:

bis ca. 20 A

Steckkraft:

ca. 8 N

Ziehkraft:

ca. 6 N

Kontaktmaterial:

CuZn oder CuSn

Kontaktflächen:

blank, verzinkt, versilbert oder vergoldet.

Sondermaterialien und Oberflächen auf Anfrage.

Junior-Timer Kontakte passend für:

Flachstecker nach DIN 46244 (2,8 mm x 0,8 mm),
DIN 46343, Teil 1, sowie Messerleisten (3,0 mm x 0,8 mm).

Sonderanwendungen auf Anfrage.

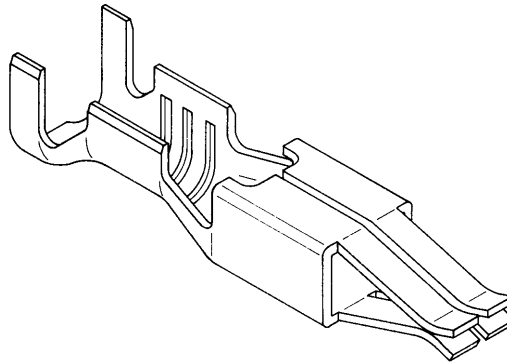
Weitere Technische Daten auf Anfrage

Produkt-Spezifikation:

108-18053

Verarbeitungs-Spezifikation:

114-18079



Junior Timer Contacts

Wire Size Range:

0.12–2.50 mm²
(suitable for insulation-reduced stranded wires)

Current Carrying Capacity:

up to approx. 20 A

Insertion Force:

approx. 8 N

Extraction Force:

approx. 6 N

Contact Material:

Brass or phosphor bronze

Contact Finishes:

plain, tin plated, silver plated or gold plated.

Special materials and finishes on request.

Junior Timer Contacts fit:

Tabs according DIN 46244 (2.8 mm x 0.8 mm), DIN 46343, Part 1, as well as male connectors (3.0 mm x 0.8 mm).

Special applications on request.

Additional Technical Features on request

Product Specification:

108-18053

Application Specification:

114-18079

Junior Timer Kontakt

Junior Timer Contact

Junior Timer Kontakt – modifiziert –

- angeschrägte Federn

Junior Timer Contact – Modified –

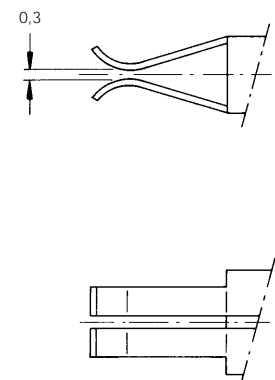
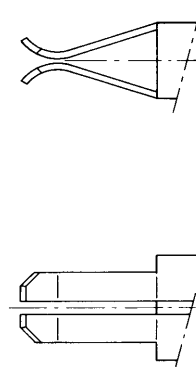
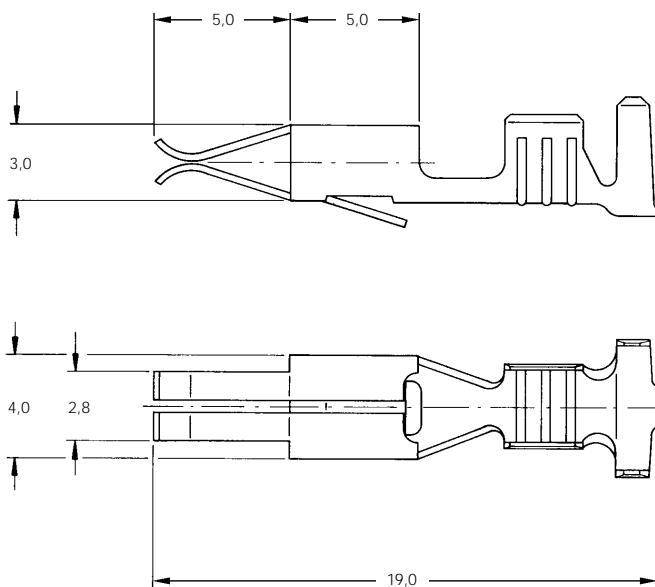
- Chamfered cantilever springs

Junior Timer Kontakt – Sonderausführung –

- Öffnungsmaß = 0,3 mm

Junior Timer Contact – Special Version –

- Gap Size = 0.3 mm



Junior Timer Kontakte
(Fortsetzung)Junior Timer Contacts
(continued)

Junior Timer Kontakte

Junior Timer Contacts

Leiterquer- schnittsbereich Wire Size Range (mm ²)	Isolierungs- durchmesser Insulation Diameter (mm) max.		Material Material	Oberfläche Finish	Bestell-Nummern/Part Numbers					
	FLK	FLK-r			Band- ausführung Strip Form	Packungs- einheit Packaging Unit	Einzel- ausführung Loose- Piece	Packungs- einheit Packaging Unit	Anschlag- werkzeug Applicator	Handzange Hand Tool 539635-1 Matrize/Die Set
0,12-0,25	0,9-1,4	-	CuSn/Phosphor Bronze	vorverzinkt/pre-tin plated	926755-1	5.000	926756-1	500	x-878070-x	90277-1
0,20-0,50	-	1,2-1,6	CuZn/Brass	vorverzinkt/pre-tin plated	927871-1	5.000	927872-1	500	x-872007-x	539744-2
			CuSn/Phosphor Bronze	vorverzinkt/pre-tin plated	927871-2	5.000	927872-2	500	x-872007-x	
>0,50-1,00 für Einzel- und Doppelanschlag/ for Single and Double Feed	-	1,4-2,1	CuSn/Phosphor Bronze	vorverzinkt/pre-tin plated	927845-1	4.000	927846-1	500	x-872093-x	539742-2
			CuSn/Phosphor Bronze	vorverzinkt/pre-tin plated	927845-2	4.000	927846-2	500	x-872093-x	
			CuZn/Brass	vorverzinkt/pre-tin plated	927863-1	4.000	927864-1	500	x-872144-x	
			CuSn/Phosphor Bronze	vorverzinkt/pre-tin plated	927863-2	4.000	927864-2	500	x-872144-x	
0,50-1,50	2,0-3,0	-	CuZn/Brass	vorversilbert/pre-silver plated	927863-4	4.000	927864-4	500	x-872144-x	-
			CuSn/Phosphor Bronze	vorverzinkt/pre-tin plated	925590-1	4.000	925596-1	500	x-654047-x	
1,00-2,50	2,4-3,7	-	CuSn/Phosphor Bronze	vorverzinkt/pre-tin plated	925590-2	4.000	925596-2	500	x-654047-x	539687-2
			CuZn/Brass	vorverzinkt/pre-tin plated	925595-1	3.750	925597-1	500	x-654131-x	
>1,00-2,50 für Einzel- und Doppelanschlag/ for Single and Double Feed	-	2,2-3,0	CuSn/Phosphor Bronze	vorverzinkt/pre-tin plated	925595-2	3.750	925597-2	500	x-654131-x	539687-2
			CuZn/Brass	vorverzinkt/pre-tin plated	927856-1	3.750	927857-1	500	x-872092-x	
			CuSn/Phosphor Bronze	vorverzinkt/pre-tin plated	927856-2	3.750	927857-2	500	x-872092-x	
	2,7-3,7	-	CuZn/Brass	vorverzinkt/pre-tin plated	927877-1	3.500	927878-1	500	x-878047-x	539687-2

Junior Timer Kontakte
- modifizierte Kontaktfedern (angeschrägt) -Junior Timer Contacts
- Modified Cantilever Springs (Chamfered) -

Leiterquer- schnittsbereich Wire Size Range (mm ²)	Isolierungs- durchmesser Insulation Diameter (mm) max.		Material Material	Oberfläche Finish	Bestell-Nummern/Part Numbers					
	FLK				Band- ausführung Strip Form	Packungs- einheit Packaging Unit	Einzel- ausführung Loose- Piece	Packungs- einheit Packaging Unit	Anschlag- werkzeug Applicator	Handzange Hand Tool 539635-1 Matrize/Die Set
0,5-1,5	2,3-3,3		CuZn/Brass	vorverzinkt/pre-tin plated	927966-1	4.000	-	-	x-541587-x	539687-2

Junior Timer Kontakte
- modifizierte Kontaktfedern (angeschrägt) -Junior Timer Contacts
- Modified Cantilever Springs (Chamfered) -

Leiterquer- schnittsbereich Wire Size Range (mm ²)	Isolierungs- durchmesser Insulation Diameter (mm) max.		Material Material	Oberfläche Finish	Bestell-Nummern/Part Numbers					
	FLK				Band- ausführung Strip Form	Packungs- einheit Packaging Unit	Einzel- ausführung Loose- Piece	Packungs- einheit Packaging Unit	Anschlag- werkzeug Applicator	Handzange Hand Tool 539635-1 Matrize/Die Set
0,5-1,5	2,3-3,3		CuSn Phosphor Bronze	vorverzinkt pre-tin plated	925871-1	4.000	925871-2	500	x-654047-x	539687-2
			CuSn Phosphor Bronze	vorverzinkt, mit Kontaktgleitmittel pre-tin plated, with Lubricant	927973-3	4.000	927973-4	500	x-654047-x	539687-2

Weitere Oberflächen auf Anfrage.

Additional Finishes on request.

Verarbeitungs-Werkzeuge und -Maschinen, siehe Seiten 83 bis 109.

Application Tooling and Equipment, see pages 83 up to 109.

Ausdrückwerkzeug: Best.-Nr. 725864-1

Extraction Tool: Part No. 725864-1

Junior Power Timer Kontakte

Technische Daten

Kontaktmaterial:

CuSn, CuFe,
Überfeder aus rostfreiem Stahl

Kontaktoberfläche:

- verzinkt
- versilbert
- selektiv vergoldet

Leiterquerschnittsbereich:

0,2–2,5 mm²
FLK und FLKr

Kontakt-Übergangswiderstand (Neuzustand):

CuFe: < 2 mΩ
CuSn: < 3 mΩ

Max. Gesamttemperatur:

- 40 °C bis +130 °C (verzinkt)
- 40 °C bis +140 °C (versilbert)
- 40 °C bis +150 °C (vergoldet)

Anzahl der Steckzyklen:

- 10 (verzinkt)
- 50 (versilbert)
- 100 vergoldet)

Steckkraft:

max. 15 N

Ziehkraft:

min. 1,5 N

Ausreißkraft:

- aus Gehäuse ohne 2. Kontakt-
sicherung min. 100 N
- aus Gehäuse nur 2. Kontakt-
sicherung min. 60 N

Rastermaße (Standard/EDS):

5,0 x 5,5 mm
5,0 x 5,0 mm (versetzt)

Ausdrückwerkzeug:

Best.-Nr. 968107-1

Produkt-Spezifikation:

108-18013

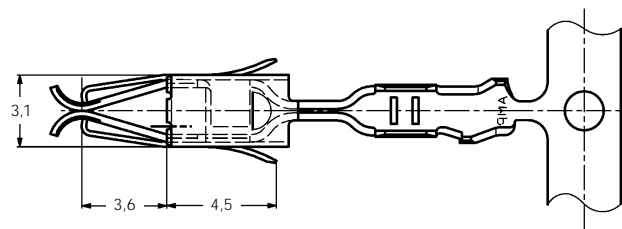
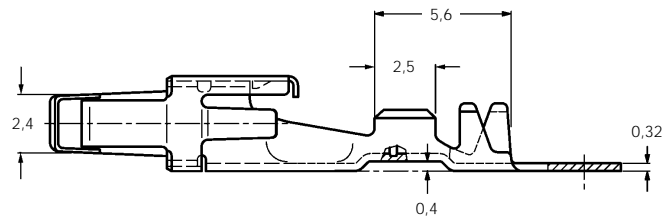
Verarbeitungs-Spezifikation:

114-18050



Standard

Standard



Junior Power Timer Contacts

Technical Features

Contact Material:

CuSn, CuFe,
cantilever spring stainless steel

Contact Finish:

- tin plated
- silver plated
- selective gold plated

Wire Size Range:

0.2–2.5 mm²
FLK and FLKr

Contact Resistance (New State):

CuFe: < 2 mΩ
CuSn: < 3 mΩ

Total Temperature max.:

- 40 °C to +130 °C (tin plated)
- 40 °C to +140 °C (silver plated)
- 40 °C to +150 °C (gold plated)

Mating Cycles:

- 10 (tin plated)
- 50 (silver plated)
- 100 (gold plated)

Insertion Force:

max. 15 N

Extraction Force:

min. 1.5 N

Retention Force:

- from housings without second
locking device min. 100 N
- from housings only second
locking device min. 60 N

Centerlines (Standard/SWS):

5.0 x 5.5 mm
5.0 x 5.0 mm (staggered)

Extraction Tool:

Part No. 968107-1

Product Specification:

108-18013

Application Specification:

114-18050

Max. Strom: im 7poligen Gehäuse

Max. Current: in 7 Positions Housing

Material Material	Temperatur Temperature (°C)	Strombelastbarkeit/Current Carrying Capacity A		
		1,0 mm ²	1,5 mm ²	2,5 mm ²
CuFe	20	16,0	20,0	25,0
	90	7,5	9,5	12,0
CuSn	20	15,0	19,0	22,5
	90	7,0	9,0	11,0

Junior Power Timer Kontakte (Fortsetzung)

Junior Power Timer Contacts (continued)

Standard

Standard

Leiterquerschnittsbereich Wire Size Range (mm ²)	Isolierungsdurchmesser Insulation Diameter max. (mm)		Material und Oberfläche* Material and Finish*	Bestell-Nummern/Part Numbers					
	FLK	FLR		Band- ausführung Strip Form	Packungs- einheit Packaging Unit	Einzel- ausführung Loose- Piece	Packungs- einheit Packaging Unit	Anschlag- werkzeug Applicator	Handzange Hand Tool 539635-1 Matrize/Die Set
0,20-0,50	1,15-2,30	-	-1	927778	4.000	927780	500	x-878331-x	539744-2
0,50-1,00	2,00-2,70	-	-1/-3	927775	4.000	927783	500	x-878191-x	539674-2
0,50-1,00	2,00-2,70	-	-1	928876**	4.000	-	-	x-878191-x	539674-2
1,50-2,50	2,70-4,10	-	-1/-3	927773	3.000	927781	500	x-878190-x	539674-2
0,35	-	1,0-1,6	-1/-3/-6/2-1	927774	4.000	927776	500	x-878332-x	539737-2
0,50-1,00	-	1,4-2,3	-1/-3/-6/2-1	927771	3.750	927779	500	x-878181-x	539674-2
0,50-1,00	-	1,4-2,3	-1	928810***	4.000	928810***	500	x-878181-x	539674-2
1,50-2,50	-	2,1-3,1	-1/-3/-5/-6	927768	3.500	927777	500	x-878180-x	539742-2
1,50-2,50	-	2,1-3,1	CuSn, vorverzinkt mit Gleitmittel CuSn, pre-tin plated with lubricant	963884***	3.500	963885***	500	x-878180-x	539674-2

** Öffnungsmaß: 0,15 mm

*** Öffnungsmaß: 0,30 mm

** Cap Size: 0.15 mm

*** Cap Size: 0.30 mm

Einzel dichtungs-System (Länge 18,8 mm)

Single Wire Sealing System (Length 18.8 mm)

Leiterquerschnittsbereich Wire Size Range (mm ²)	Isolierungsdurchmesser Insulation Diameter (mm) max.	Material und Oberfläche* Material and Finish*	Bestell-Nummern/Part Numbers							
			Band- ausführung Strip Form	Packungs- einheit Packaging Unit	Einzel- ausführung Loose- Piece	Packungs- einheit Packaging Unit	Anschlag- werkzeug Applicator	Handzange Hand Tool 539635-1 Matrize/Die Set	Einzel- dichtung Single Wire Seal	Packungs- einheit Packaging Unit
0,35-0,50	1,2-2,1	-3/1-1	927772	3.700	929931	500	x-878334-x	539737-2	828904-1	1.000
0,50-1,00	1,2-2,1	-1/-3/-6/1-1/2-1	927770	3.500	929930	500	x-878335-x	539737-2	828904-1	1.000
1,50-2,50	2,2-3,0	-1/-3	927766	3.750	929929	500	x-878336-x	539737-2	828905-1	1.000

* Material und Oberfläche:

- 1 = CuFe, vorverzinkt
 - 3 = CuSn, vorverzinkt
 - 5 = CuSn, Kontaktzone vergoldet, Crimpzone vorverzinkt
 - 6 = CuSn, vorversilbert
 - 1-1 = CuFe, Kontaktzone vergoldet
 - 2-1 = CuSn, Kontaktzone vergoldet
- Weitere Oberflächen auf Anfrage.

Blindstopfen:

Best.-Nr. 828922

* Material and Finish:

- 1 = CuFe, pre-tin plated
 - 3 = CuSn, pre-tin plated
 - 5 = CuSn, contact area gold plated, crimp area pre-tin plated
 - 6 = CuSn, pre-silver plated
 - 1-1 = CuFe, contact area gold plated
 - 2-1 = CuSn, contact area gold plated
- Additional Finishes on request.

Dead End Plug:

Part No. 828922

Junior Power Timer Kontakte

Technische Daten

Kontaktmaterial:

CuSn, CuFe,
Überfeder aus rostfreiem Stahl

Kontaktoberfläche:

- verzinkt
- versilbert
- selektiv vergoldet

Leiterquerschnittsbereich:

0,2–2,5 mm²
FLK und FLR

Kontakt-Übergangswiderstand (Neuzustand):

CuFe: < 2 mΩ
CuSn: < 3 mΩ

Max. Gesamttemperatur:

- 40 °C bis +130 °C (verzinkt)
- 40 °C bis +140 °C (versilbert)
- 40 °C bis +150 °C (vergoldet)

Anzahl der Steckzyklen:

- 10 (verzinkt)
- 50 (versilbert)
- 100 vergoldet)

Steckkraft:

max. 15 N

Ziehkraft:

min. 1,5 N

Ausreißkraft:

- aus Gehäuse ohne 2. Kontakt-
sicherung min. 100 N
- aus Gehäuse nur 2. Kontakt-
sicherung min. 60 N

Rastermaße (Standard/EDS):

5,0 x 5,5 mm
5,0 x 5,0 mm (versetzt)

Ausdrückwerkzeug:

Best.-Nr. 968107-1

Produkt-Spezifikation:

108-18013

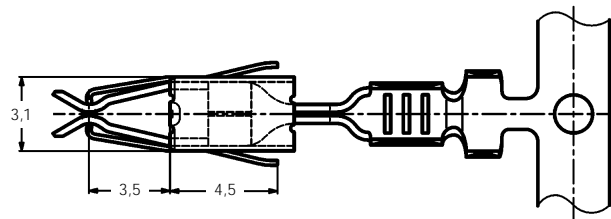
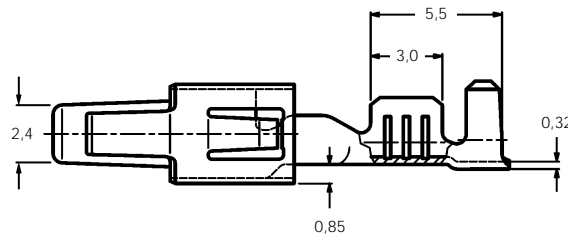
Verarbeitungs-Spezifikation:

114-18050



Mit Rundumschulter

With Modified Spring



Junior Power Timer Contacts

Technical Features

Contact Material:

CuSn, CuFe,
cantilever spring stainless steel

Contact Finish:

- tin plated
- silver plated
- selective gold plated

Wire Size Range:

0.2–2.5 mm²
FLK and FLR

Contact Resistance (New State):

CuFe: < 2 mΩ
CuSn: < 3 mΩ

Total Temperature max.:

- 40 °C to +130 °C (tin plated)
- 40 °C to +140 °C (silver plated)
- 40 °C to +150 °C (gold plated)

Mating Cycles:

- 10 (tin plated)
- 50 (silver plated)
- 100 (gold plated)

Insertion Force:

max. 15 N

Extraction Force:

min. 1.5 N

Retention Force:

- from housings without second
locking device min. 100 N
- from housings only second
locking device min. 60 N

Centerlines (Standard/SWS):

5.0 x 5.5 mm
5.0 x 5.0 mm (staggered)

Extraction Tool:

Part No. 968107-1

Product Specification:

108-18013

Application Specification:

114-18050

Max. Strom: im 7poligen Gehäuse

Max. Current: in 7 Positions Housing

Material Material	Temperatur Temperature (°C)	Strombelastbarkeit/Current Carrying Capacity A		
		1,0 mm ²	1,5 mm ²	2,5 mm ²
CuFe	20	16,0	20,0	25,0
	90	7,5	9,5	12,0
CuSn	20	15,0	19,0	22,5
	90	7,0	9,0	11,0

Junior Power Timer Kontakte (Fortsetzung)

Junior Power Timer Contacts (continued)

Einzel dichtungs-System und Sekundärverriegelung (Länge 21,0 mm)

Single Wire Sealing System and Secondary Locking (Length 21.0 mm)

Leiterquer- schnittsbereich Wire Size Range (mm ²)	Isolierungs- durchmesser Insulation Diameter (mm) max. FLR	Material und Oberfläche* Material and Finish*	Bestell-Nummern/Part Numbers							
			Band- ausführung Strip Form	Packungs- einheit Packaging Unit	Einzel- ausführung Loose- Piece	Packungs- einheit Packaging Unit	Anschlag- werkzeug Applicator	Handzange Hand Tool 539635-1 Matrize/Die Set	Einzel- dichtung Single Wire Seal	Packungs- einheit Packaging Unit
0,35–0,50	1,2–2,1	-1/-3	929941	3.750	929942	500	x-878334-x	539737-2	828904-1	1.000
0,50–1,00	1,2–2,1	-1/-3/-6/1-1/2-1	929939	3.750	929940	500	x-878335-x	539737-2	828904-1	1.000
>1,00–2,50	2,2–3,0	-1/-3/-6/2-1	929937	3.700	929938	500	x-878336-x	539737-2	828905-1	1.000

* Material und Oberfläche:

-1 = CuFe, vorverzinnt
 -3 = CuSn, vorverzinnt
 -6 = CuSn, versilbert
 1-1 = CuFe, Kontaktzone vergoldet
 2-1 = CuSn, Kontaktzone vergoldet
 Weitere Oberflächen auf Anfrage.

Blindstopfen:

Best.-Nr. **828922**

* Material and Finish:

-1 = CuFe, pre-tin plated
 -3 = CuSn, pre-tin plated
 -6 = CuSn, silver plated
 1-1 = CuFe, contact area gold plated
 2-1 = CuSn, contact area gold plated
 Additional Finishes on request.

Dead End Plug:

Part No. **828922**

Mit Rundumschulter

With Modified Spring

Leiterquer- schnittsbereich Wire Size Range (mm ²)	Isolierungs- durchmesser Insulation Diameter (mm) max. FLR	Material und Oberfläche* Material and Finish*	Bestell-Nummern/Part Numbers							
			Band- ausführung Strip Form	Packungs- einheit Packaging Unit	Einzel- ausführung Loose- Piece	Packungs- einheit Packaging Unit	Anschlag- werkzeug Applicator	Handzange Hand Tool 539635-1 Matrize/Die Set	Einzel- dichtung Single Wire Seal	Packungs- einheit Packaging Unit
0,2–0,5	1,0–1,6	-2/2-1	964280	4.500	964279-2	500	x-878950-x	539664-2	-	-
					964279-4	500				
0,5–1,0	1,4–2,1	-2/2-1	964284	4.000	964283-2	500	x-878937-x	539664-2	-	-
					964283-4	500				
>1,0–2,5	2,2–3,0	-2/2-1	965999	3.500	964346-2	500	x-878704-x	539664-2	-	-
					964346-4	500				

Einzel dichtungs-System mit Rundumschulter

Single Wire Sealing System with Modified Spring

Leiterquer- schnittsbereich Wire Size Range (mm ²)	Isolierungs- durchmesser Insulation Diameter (mm) max. FLR	Material und Oberfläche* Material and Finish*	Bestell-Nummern/Part Numbers							
			Band- ausführung Strip Form	Packungs- einheit Packaging Unit	Einzel- ausführung Loose- Piece	Packungs- einheit Packaging Unit	Anschlag- werkzeug Applicator	Handzange Hand Tool 539635-1 Matrize/Die Set	Einzel- dichtung Single Wire Seal	Packungs- einheit Packaging Unit
0,2–0,5	1,2–2,3	-2/2-1	964282	3.500	964281-2	500	x-878952-x	539650-2	963294-1 nur für 0,35 mm ² for 0.35 mm ² only	5.000
					964281-4	500				
0,5–1,0	1,4–2,7	-2/2-1	964286	3.500	964285-2	500	x-878953-x	539650-2	963294-1	5.000
					964285-4	500				
>1,0–1,5	2,2–2,7	-2/2-1	964273	3.500	964287-2	500	x-878954-x	539650-2	963293-1	5.000
					964287-4	500				
>1,5–2,5	2,2–3,0	-2/2-1	964273	3.500	964287-2	500	x-878954-x	539650-2	963292-1	5.000
					964287-4	500				

* Material und Oberfläche:

-2 = CuSn, vorverzinnt
 2-1 = CuSn, Kontaktzone vergoldet
 Weitere Oberflächen auf Anfrage.

Blindstopfen:

Best.-Nr. **828922**

* Material and Finish:

-2 = Phosphor bronze, pre-tin plated
 2-1 = Phosphor bronze, contact area gold plated
 Additional Finishes on request.

Dead End Plug:

Part No. **828922**

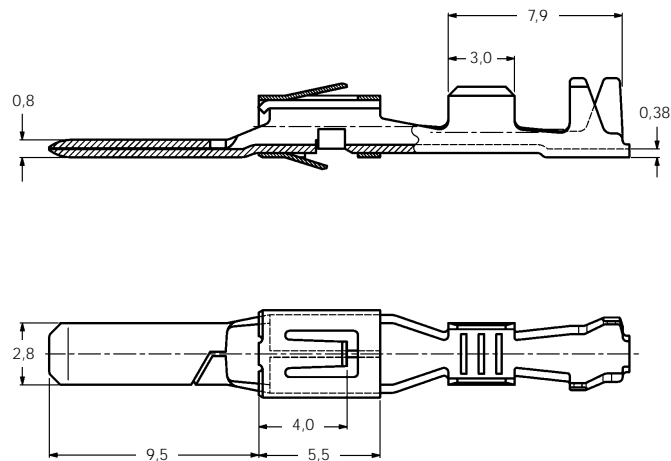
**Flachstecker,
2,8 mm x 0,8 mm,
mit unsymmetrischer
Stahlüberfeder,
passend zu
Junior Power Timer**

Ausdrückwerkzeug:
Best.-Nr. 968107-1

Produkt-Spezifikation:
108-18063

Verarbeitungs-Spezifikation:
114-18051

Flachstecker



Tab

**Tabs,
2.8 mm x 0.8 mm,
with Asymmetric
Cantilever Steel Spring,
Mates with
Junior Power Timer**

Extraction Tool:
Part No. 968107-1

Product Specification:
108-18063

Application Specification:
114-18051

Flachstecker

Tab

Leiterquer- schnittsbereich Wire Size Range (mm ²)	Isolierungsdurchmesser Insulation Diameter max. (mm) FLR	Material und Oberfläche* Material and Finish*	Bestell-Nummern/Part Numbers				
			Band- ausführung Strip Form	Packungs- einheit Packaging Unit	Einzel- ausführung Loose- Piece	Packungs- einheit Packaging Unit	Anschlag- werkzeug Applicator
0,2-0,5	1,0-1,6	-1/-2	962882	4.500	963813	500	x-878609-x
0,5-1,0	1,4-2,3	-1/-2	962883	4.500	963814	500	x-878610-x
1,5-2,5	2,1-3,1	-1/-2	962884	3.500	963815	500	x-878611-x

Einzeldichtungs-System

Single Wire Sealing System

Leiterquer- schnittsbereich Wire Size Range (mm ²)	Isolierungsdurchmesser Insulation Diameter max. (mm) FLR	Material und Oberfläche* Material and Finish*	Bestell-Nummern/Part Numbers				
			Band- ausführung Strip Form	Packungs- einheit Packaging Unit	Einzel- ausführung Loose- Piece	Packungs- einheit Packaging Unit	Anschlag- werkzeug Applicator
0,5-1,0	1,4-2,3	-1/-2	962880	2.500	963811	500	x-878610-x
1,5-2,5	2,1-3,1	-1/-2	962881	2.500	963812	500	x-878611-x

* Material und Oberfläche:

-1 = CuSn, vorverzinkt
-2 = CuFe, vorverzinkt

Weitere Oberflächen auf Anfrage.

* Material and Finish:

-1 = CuSn, pre-tin plated
-2 = CuFe, pre-tin plated

Additional Finishes on request.

Flachstecker,
2,8 mm x 0,8 mm,
mit symmetrischer
Stahlüberfeder,
passend zu
Junior Power Timer

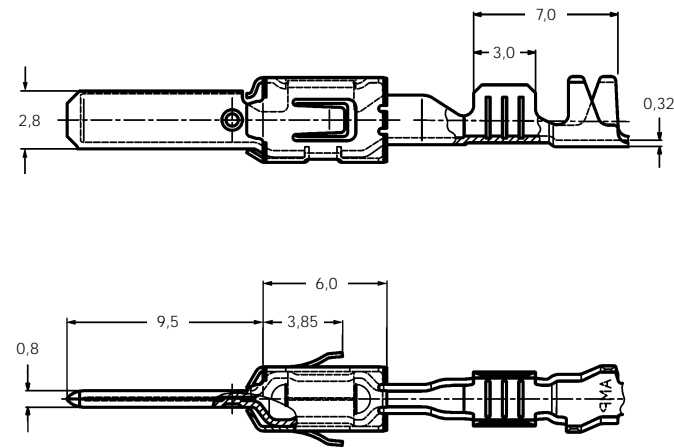
Ausdrückwerkzeug:
Best.-Nr. 968107-1

Tabellenzeichnung:
1355052

Produkt-Spezifikation:
108-18063

Verarbeitungs-Spezifikation:
114-18051

Flachstecker



Tab

Tab,
2.8 mm x 0.8 mm,
with Symmetric
Cantilever Steel Spring,
Mates with
Junior Power Timer

Extraction Tool:
Part No. 968107-1

Chart-Drawing:
1355052

Product Specification:
108-18063

Application Specification:
114-18051

Flachstecker

Tab

Leiterquer- schnittsbereich Wire Size Range (mm ²)	Isolierungs- durchmesser Insulation Diameter (mm) max.		Material und Oberfläche* Material and Finish*	Bestell-Nummern/Part Numbers					
	FLK	FLR		Band- ausführung Strip Form	Packungs- einheit Packaging Unit	Einzel- ausführung Loose- Piece	Packungs- einheit Packaging Unit	Anschlag- werkzeug Applicator	Handzange Hand Tool
0,2-0,5	-	1,2-1,6	CuFe, vorverzinkt/CuFe, pre-tin plated	2-963860-1	4.000	2-963861-1	500	x-878549-x	734538-1
0,2-0,5	-	1,2-1,6	CuSn, Kontaktzone selektiv vergoldet CuSn, contact area selective gold plated	1-963860-3	4.000	1-963861-3	500	x-878549-x	734538-1
0,2-0,5	-	1,2-1,6	CuSn, vorverzinkt/CuSn, pre-tin plated	1-963860-1	4.000	1-963861-1	500	x-878549-x	734538-1
0,5-1,0	-	1,4-2,1	CuFe, vorversilbert/CuFe, pre-silver plated	2-962841-2	4.000	2-963745-2	500	x-878550-x	734417-1
			CuFe, vorverzinkt/CuFe, pre-tin plated	2-962841-1	4.000	2-963745-1	500		
0,5-1,0	-	1,4-2,1	CuSn, Kontaktzone selektiv vergoldet CuSn, contact area selective gold plated	1-962841-3	4.000	1-963745-3	500	x-878550-x	734417-1
			CuSn, vorversilbert/CuSn, pre-silver plated	1-962841-2	4.000	1-963745-2	500		
0,5-1,0	-	1,4-2,1	CuSn, vorverzinkt/CuSn, pre-tin plated	1-962841-1	4.000	1-963745-1	500	x-878550-x	734417-1
1,5-2,5	2,4-3,7	-	CuSn, vorverzinkt/CuSn, pre-tin plated	1-962843-1	3.000	1-963747-1	500	x-878552-x	734417-3
1,5-2,5	-	2,1-2,9	CuSn, vorverzinkt/CuSn, pre-tin plated	1-962842-1	3.500	1-963746-1	500	x-878551-x	734417-2

Einzeldichtungs-System

Single Wire Sealing System

Leiterquer- schnittsbereich Wire Size Range (mm ²)	Isolierungs- durchmesser Insulation Diameter (mm) max.		Material und Oberfläche* Material and Finish*	Bestell-Nummern/Part Numbers					
	FLK	FLR		Band- ausführung Strip Form	Packungs- einheit Packaging Unit	Einzel- ausführung Loose- Piece	Packungs- einheit Packaging Unit	Anschlag- werkzeug Applicator	Handzange Hand Tool
0,5-1,0	-	X	CuFe, vorverzinkt/CuFe, pre-tin plated	2-962915-1	3.500	2-963748-1	500	x-878559-x	734438-1
0,5-1,0	-	X	CuSn, Kontaktzone selektiv vergoldet CuSn, contact area selective gold plated	1-962915-3	3.500	1-963748-3	500	x-878559-x	734438-1
0,5-1,0	-	X	CuSn, vorversilbert/CuSn, pre-silver plated	1-962915-2	3.500	1-963748-2	500	x-878559-x	734438-1
			CuSn, vorverzinkt/CuSn, pre-tin plated	1-962915-1	3.500	1-963748-1	500		
1,5-2,5	-	X	CuSn, vorversilbert/CuSn, pre-silver plated	1-962916-2	3.500	1-963749-2	500	x-878560-x	734440-1
			CuSn, vorverzinkt/CuSn, pre-tin plated	1-962916-1	3.500	1-963749-1	500		

Weitere Oberflächen auf Anfrage.

Einzeldichtung:

Best.-Nr. 828904 (1,2-2,1 mm Ø)

Best.-Nr. 828905 (2,2-3,0 mm Ø)

Additional Finishes on request.

Single Wire Seal:

Part No. 828904 (Ø 1.2-2.1 mm)

Part No. 828905 (Ø 2.2-3.0 mm)

**Flachstecker,
2,8 mm x 0,8 mm,
mit symmetrischer
Stahlüberfeder,
passend zu
Junior Power Timer**

Ausdrückwerkzeug:
Best.-Nr. 968107-1

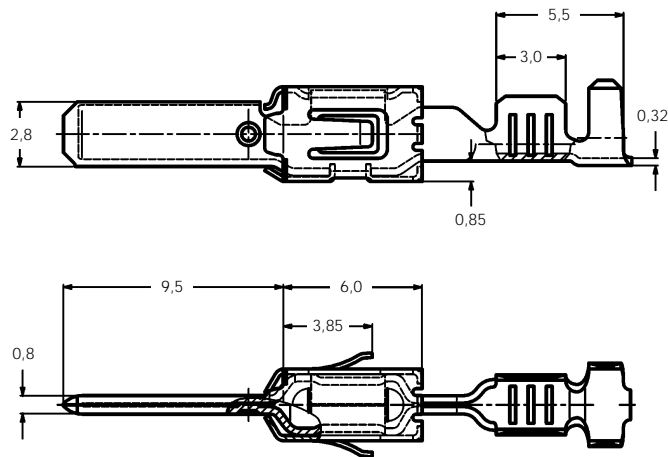
Tabellenzeichnung:
1355052

Produkt-Spezifikation:
108-18063

Verarbeitungs-Spezifikation:
114-18051

Mit Rundumschulter

With Modified Spring



**Tabs,
2,8 mm x 0,8 mm,
with Symmetric
Cantilever Steel Spring,
Mates with
Junior Power Timer**

Extraction Tool:
Part No. 968107-1

Chart-Drawing:
1355052

Product Specification:
108-18063

Application Specification:
114-18051

Mit Rundumschulter

With Modified Spring

Leiterquer- schnittsbereich Wire Size Range (mm ²)	Isolierungs- durchmesser Insulation Diameter (mm) max. FLR	Material und Oberfläche* Material and Finish*	Bestell-Nummern/Part Numbers					
			Band- ausführung Strip Form	Packungs- einheit Packaging Unit	Einzel- ausführung Loose- Piece	Packungs- einheit Packaging Unit	Anschlag- werkzeug Applicator	Handzange Hand Tool 539635-1 Matrize/Die Set
0,2-0,5	1,15-1,60	CuFe, vorverzinkt/CuFe, pre-tin plated	2-964292-1	4.000	2-964291-1	500	x-878950-x	539664-2
0,2-0,5	1,15-1,60	CuSn, Kontaktzone selektiv vergoldet CuSn, contact area selective gold plated	1-964292-3	4.000	1-964291-3	500	x-878950-x	539664-2
0,5-1,0	1,40-2,10	CuFe, vorverzinkt/CuFe, pre-tin plated	2-964294-1	4.000	2-964293-1	500	x-878937-x	539664-2
0,5-1,0	1,40-2,10	CuSn, Kontaktzone selektiv vergoldet CuSn, contact area selective gold plated	1-964294-3	4.000	1-964293-3	500	x-878937-x	539664-2
>1,0-2,5	2,20-3,00	CuFe, vorverzinkt/CuFe, pre-tin plated	2-964296-1	3.300	2-964295-1	500	x-878704-x	539664-2
>1,0-2,5	2,20-3,00	CuSn, Kontaktzone selektiv vergoldet CuSn, contact area selective gold plated	1-964296-3	3.300	1-964295-3	500	x-878704-x	539664-2

Einzel dichtungs-System mit Rundumschulter

Single Wire Sealing System with Modified Spring

Leiterquer- schnittsbereich Wire Size Range (mm ²)	Isolierungs- durchmesser Insulation Diameter (mm) max. FLR	Material und Oberfläche* Material and Finish*	Bestell-Nummern/Part Numbers					
			Band- ausführung Strip Form	Packungs- einheit Packaging Unit	Einzel- ausführung Loose- Piece	Packungs- einheit Packaging Unit	Anschlag- werkzeug Applicator	Handzange Hand Tool 539635-1 Matrize/Die Set
0,2-0,5	1,15-1,60	CuFe, vorverzinkt/CuFe, pre-tin plated	2-964298-1	3.500	2-964297-1	500	x-878952-x	539650-2
0,2-0,5	1,15-1,60	CuSn, Kontaktzone selektiv vergoldet CuSn, contact area selective gold plated	1-964298-3	3.500	1-964297-3	500	x-878952-x	539650-2
0,5-1,0	1,40-2,10	CuFe, vorverzinkt/CuFe, pre-tin plated	2-964300-1	3.500	2-964299-1	500	x-878953-x	539650-2
0,5-1,0	1,40-2,10	CuSn, Kontaktzone selektiv vergoldet CuSn, contact area selective gold plated	1-964300-3	3.500	1-964299-3	500	x-878953-x	539650-2
>1,0-2,5	2,20-3,00	CuFe, vorverzinkt/CuFe, pre-tin plated	2-964302-1	3.500	2-964301-1	500	x-878954-x	539650-2
>1,0-2,5	2,20-3,00	CuSn, Kontaktzone selektiv vergoldet CuSn, contact area selective gold plated	1-964302-3	3.500	1-964301-3	500	x-878954-x	539650-2

Weitere Oberflächen auf Anfrage.

Additional Finishes on request.

Blindstopfen und Einzeldichtungen:
siehe Seite 29

Dead End Plug and Single Wire Seal:
see page 29

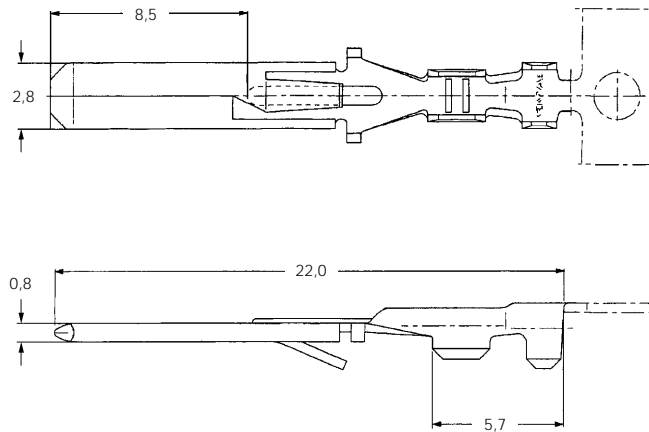
**Flachstecker,
seitengeführt,
2,8 mm x 0,8 mm,
passend zu
Junior Power Timer**

Ausdrückwerkzeug:
Best.-Nr. 725864-1

Produkt-Spezifikation:
108-18299

Verarbeitungs-Spezifikation:
114-18014

Flachstecker



Tab

**Tabs,
Side Feed,
2.8 mm x 0.8 mm,
Mates with
Junior Power Timer**

Extraction Tool:
Part No. 725864-1

Product Specification:
108-18299

Application Specification:
114-18014

Flachstecker

Tab

Leiterquer- schnittsbereich Wire Size Range (mm ²)	Isolierungs- durchmesser Insulation Diameter (mm) max. FLR	Material und Oberfläche* Material and Finish*	Bestell-Nummern/Part Numbers					
			Band- ausführung Strip Form	Packungs- einheit Packaging Unit	Einzel- ausführung Loose- Piece	Packungs- einheit Packaging Unit	Anschlag- werkzeug Applicator	Handzange Hand Tool 539635-1 Matrize/Die Set
0,2-0,5	X	-1/-2/-3/-4	964131	6.000	964140	500	x-878826-x	539744-2
0,5-1,0	X	-1/-2/-3/-4	964132	4.000	964141	500	x-878827-x	539743-2
> 1,0-2,5	X	-1/-2/-3/-4	964133	3.000	964142	500	x-878828-x	539743-2

*** Material und Oberfläche:**

- 1 = CuSn, blank
- 2 = CuSn, vorverzinnt
- 3 = CuNi, vorverzinnt
- 4 = CuSn, Kontaktzone vergoldet

Weitere Oberflächen auf Anfrage.

*** Material and Finish:**

- 1 = Phosphor bronze, plain
- 2 = Phosphor bronze, pre-tin plated
- 3 = CuNi, pre-tin plated
- 4 = Phosphor bronze, contact area gold plated

Additional Finishes on request.

Standard Timer Kontakte

Kontakte passend für Flachstecker
6,3 x 0,8 mm, 5,8 x 0,8 mm und
4,8 x 0,8 mm.

Technische Daten**Temperaturbereich:**

-40 °C bis +110 °C

Strombelastbarkeit:

max. 25 A

Leiterquerschnittsbereich:

0,5–2,5 mm² (auch für reduziert-
isolierte Schaltlitzen geeignet, FLR)

Isolierungsdurchmesser:

1,0–4,3 mm

Kontaktmaterial:

CuZn, CuSn und CuFe

Weitere Materialien und
Oberflächen auf Anfrage.

Steckkraft:

<15 N

Ziehkraft:

>8 N

Ausdrückwerkzeug:

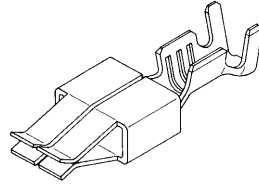
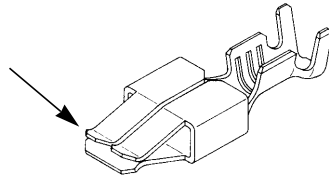
Best.-Nr. 725864-1

Produkt-Spezifikation:

108-18054

Verarbeitungs-Spezifikation:

114-18080

Standard Timer Kontakte**Standard Timer Contacts****Modifizierte Kontakte
(abgeschrägte Kontaktfedern)****Modified Contacts
(Chamfered Cantilever Springs)****Standard Timer Contacts**

Contacts fits tab
6.3 x 0.8 mm, 5.8 x 0.8 mm and
4.8 x 0.8 mm.

Technical Features**Temperature Range:**

-40 °C to +110 °C

Current Carrying Capacity:

25 A max.

Wire Size Range:

0.5–2.5 mm² (suitable for insulation-
reduced stranded wires)

Insulation Diameter:

1.0–4.3 mm

Contact Material:

Brass, Phosphor Bronze and CuFe

Additional materials and finishes
on request.

Insertion Force:

<15 N

Extraction Force:

>8 N

Extraction Tool:

Part No. 725864-1

Product Specification:

108-18054

Application Specification:

114-18080

Standard Timer Kontakte**Standard Timer Contacts**

Leiterquer- schnittsbereich Wire Size Range (mm ²)	Isolierungs- durchmesser Insulation Diameter (mm) max.		Material und Oberfläche Material and Finish	Bestell-Nummern/Part Numbers					
	FLK	FLR		Band- ausführung Strip Form	Packungs- einheit Packaging Unit	Einzel- ausführung Loose- Piece	Packungs- einheit Packaging Unit	Anschlag- werkzeug Applicator	Handzange Hand Tool 539635-1 Matrize/Die Set
0,2–0,5	–	1,0–1,6	CuZn, vorverzinkt/Brass, pre-tin plated	926984-1	3.000	926985-1	500	x-872007-x	539744-2
			CuSn, vorverzinkt/Phosphor Bronze, pre-tin plated	926984-2	3.000	926985-2	500		
0,5–1,0	–	1,4–2,3	CuZn, vorverzinkt/Brass, pre-tin plated	927847-1	2.750	927848-1	500	x-872093-x	539742-2
			CuSn, vorverzinkt/Phosphor Bronze, pre-tin plated	927847-2	2.750	927848-2	500		
	2,0–3,3	–	CuZn, vorverzinkt/Brass, pre-tin plated	927865-1	2.500	927866-1	500	x-872144-x	–
			CuSn, vorverzinkt/Phosphor Bronze, pre-tin plated	927865-2	2.500	927866-2	500		
0,5–1,0	2,0–3,0	–	CuZn, vorverzinkt/Brass, pre-tin plated	925575-1	2.750	925598-1	500	x-878035-x	539687-2
			CuSn, vorverzinkt/Phosphor Bronze, pre-tin plated	925575-2	2.750	925598-2	500		
1,0–2,5	3,0–4,3	–	CuZn, vorverzinkt/Brass, pre-tin plated	925612-1	2.500	925613-1	500	x-654131-x	539687-2
			CuSn, vorverzinkt/Phosphor Bronze, pre-tin plated	925612-2	2.500	925613-2	500		
>1,0–2,5	–	2,1–3,1	CuSn, vorverzinkt/Phosphor Bronze, pre-tin plated	927849-2	2.500	927850-2	500	x-872092-x	539742-2
			CuSn, vorverzinkt/Phosphor Bronze, pre-tin plated	927879-2	2.000	927880-2	500		

Modifizierte Kontakte (abgeschrägte Kontaktfedern)**Modified Contacts (Chamfered Cantilever Springs)**

Leiterquer- schnittsbereich Wire Size Range (mm ²)	Isolierungs- durchmesser Insulation Diameter (mm) max.		Material und Oberfläche Material and Finish	Bestell-Nummern/Part Numbers					
	FLK	FLR		Band- ausführung Strip Form	Packungs- einheit Packaging Unit	Einzel- ausführung Loose- Piece	Packungs- einheit Packaging Unit	Anschlag- werkzeug Applicator	Handzange Hand Tool 539635-1 Matrize/Die Set
0,5–1,0	2,0–3,0	–	CuZn, vorverzinkt/Brass, pre-tin plated	926965-1	2.500	927936-1	500	x-878035-x	539687-2
1,0–2,5	3,0–3,4	–	CuZn, vorverzinkt/Brass, pre-tin plated	926973-1	2.500	927937-1	500	x-541603-x	

Standard Power Timer Kontakte

Technische Daten

Kontaktmaterial:

CuSn, CuFe,
Überfeder aus rostfreiem Stahl

Kontaktoberfläche:

- verzinkt
- versilbert
- selektiv vergoldet

Kontakt-Übergangswiderstand (Neuzustand):

≤2,0 mΩ

Max. Gesamttemperatur:

- 40 °C bis +130 °C (verzinkt)
- 40 °C bis +140 °C (versilbert)
- 40 °C bis +150 °C (vergoldet)

Anzahl der Steckzyklen:

- 10 (verzinkt)
- 50 (versilbert)
- 100 (vergoldet)

Steckkraft:

max. 15 N (Messung mit Prüfflachstecker 0,8 mm dick)

Ziehkraft:

min. 2 N (Messung mit Prüfflachstecker 0,8 mm dick)

Ausreißkraft:

- aus Gehäuse ohne 2. Kontaktsicherung min. 120 N
- aus Gehäuse nur 2. Kontaktsicherung min. 60 N

Abmessungen des Kontaktmessers:

4,8 mm x 0,8 mm,
5,8 mm x 0,8 mm,
6,3 mm x 0,8 mm

Rastermaße:

min. 6,0 x 7,5 mm



Ausdrückwerkzeug:
Best.-Nr. 968107-1

Produkt-Spezifikation:
108-18025

Verarbeitungs-Spezifikation:
114-18037

Extraction Tool:
Part No. 968107-1

Product Specification:
108-18025

Application Specification:
114-18037

Standard Power Timer Contacts

Technical Features

Contact Material:

CuSn, CuFe,
cantilever spring stainless steel

Contact Finish:

- tin plated
- silver plated
- selective gold plated

Contact Resistance (New State):

≤2.0 mΩ

Total Temperature max.:

- 40 °C to +130 °C (tin plated)
- 40 °C to +140 °C (silver plated)
- 40 °C to +150 °C (gold plated)

Mating Cycles:

- 10 (tin plated)
- 50 (silver plated)
- 100 (gold plated)

Insertion Force:

max. 15 N
(proof tab 0.8 mm thick)

Extraction Force:

min. 2 N
(proof tab 0.8 mm thick)

Retention Force:

- from housings without second locking device min. 120 N
- from housings only second locking device min. 60 N

Dimensions of Male Contacts:

4.8 mm x 0.8 mm,
5.8 mm x 0.8 mm,
6.3 mm x 0.8 mm

Modular Dimensions:

min. 6.0 x 7.5 mm

Kontakt-Bestell-Nummern/Contact Part Numbers

Leiterquerschnittsbereich Wire Size Range (mm ²)	FLK	Packungseinheit Packaging Unit	Anschlagwerkzeug Applicator	FLR	Packungseinheit Packaging Unit	Anschlagwerkzeug Applicator	Einzeldichtungssystem Single Wire Sealing System	Packungseinheit Packaging Unit	Anschlagwerkzeug Applicator
0,2-0,5	927839	2.300	x-878426-x	927840	2.300	x-878427-x	927826	1.500	x-878425-x
0,5-1,0	927827	2.300	x-878329-x	927831	2.300	x-878328-x	927836	1.500	x-878337-x
>1,0-2,5	927833	2.000	x-878367-x	927837	2.300	x-878356-x	927835	1.500	x-878338-x
>2,5-4,0	927824	2.000	x-878314-x	927829	2.300	x-878384-x	928966	1.500	x-878441-x

Max. Strom: im 8poligen Gehäuse (voll bestückt)

Max. Current: in 8 Positions Housing (Fully Loaded)

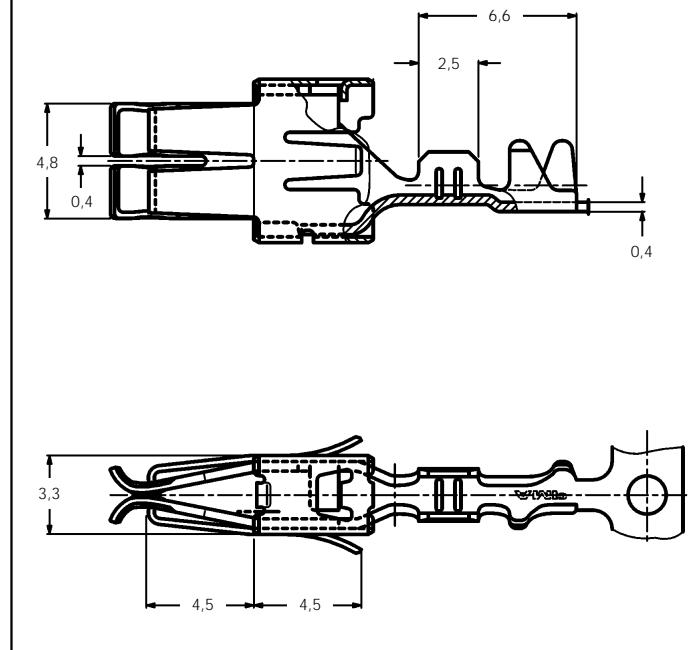
Material Material	Temperatur Temperature (°C)	Strombelastbarkeit/Current Carrying Capacity A			
		1,0 mm ²	1,5 mm ²	2,5 mm ²	4,0 mm ²
CuFe	20	17,5	23,0	25,5	40,0
	90	8,0	10,5	12,0	17,0
CuSn	20	16,5	20,0	23,5	35,0
	90	7,5	9,0	11,0	16,0

Standard Power Timer Kontakte (Fortsetzung)

Standard

Standard

Standard Power Timer Contacts (continued)



Standard

Standard

Leiterquerschnittsbereich Wire Size Range (mm ²)	Isolierungsdurchmesser Insulation Diameter max. (mm)		Material und Oberfläche* Material and Finish*	Bestell-Nummern/Part Numbers					
	FLK	FLR		Bandausführung Strip Form	Packungseinheit Packaging Unit	Einzelausführung Loose-Piece	Packungseinheit Packaging Unit	Anschlagwerkzeug Applicator	Handzange Hand Tool 539635-1 Matrize/Die Set
0,50-1,00	2,0-2,7	-	-1/-2	927827	2.300	927828	1.000	x-878329-x	539733-2
1,50-2,50	2,7-3,7	-	-1/-2	927833	2.000	927834	500	x-878367-x	539733-2
>2,50-4,00	3,3-4,5	-	-1/-2	927824	2.000	927825	2.000	x-878314-x	539734-2
0,35-0,50	-	1,15-1,60	-1/-2	927840	2.300	928990	500	x-878427-x	-
0,50-1,00	-	1,40-2,10	-1/-2/-4	927831	2.300	927832	500	x-878328-x	539756-2
1,50-2,50	-	2,20-3,00	-1/-2/-4/-5	927837	2.300	927838	500	x-878356-x	539756-2
>2,50-4,00	-	2,70-3,70	-1/-2/-5	927829	2.300	927830	2.000	x-878384-x	539756-2
>4,00-6,00	-	4,00-5,20	-1/-2	963709	1.500	963714	500	x-878738-x	-

Einzel dichtungs-System

Single Wire Sealing System

Leiterquerschnittsbereich Wire Size Range (mm ²)	Isolierungsdurchmesser Insulation Diameter max. (mm)		Material und Oberfläche* Material and Finish*	Bestell-Nummern/Part Numbers							
	FLK	FLR		Bandausführung Strip Form	Packungseinheit Packaging Unit	Einzelausführung Loose-Piece	Packungseinheit Packaging Unit	Anschlagwerkzeug Applicator	Handzange Hand Tool 539635-1 Matrize/Die Set	Einzel dichtung Single Wire Seal	Packungseinheit Packaging Unit
0,5-1,0	-	1,4-2,1	-1/-2	927836	1.500	929922	500	x-878337-x	539736-2	963243	2.500
1,5-2,5	-	2,2-3,0	-1/-2	927835	1.500	929923	500	x-878338-x	539736-2	963244	2.500
>2,5-4,0	-	3,4-3,7	-1/-2	928966	1.500	929924	500	x-878441-x	539736-2	963245	2.500

* Material und Oberfläche:

- 1 = CuFe, vorverzinnt
- 2 = CuSn, vorverzinnt
- 4 = CuSn, vorversilbert (0,8 µm)
- 5 = CuFe, vorversilbert (0,8 µm)

Ausdrückwerkzeug:

Best.-Nr. 968107-1

Blindstopfen:

Best.-Nr. 100132-1

* Material and Finish:

- 1 = CuFe, pre-tin plated
- 2 = CuSn, pre-tin plated
- 4 = CuSn, pre-silver plated (0.8 µm)
- 5 = CuFe, pre-silver plated (0.8 µm)

Extraction Tool:

Part No. 968107-1

Dead End Plug:

Part No. 100132-1

Standard Power Timer Kontakte (Fortsetzung)

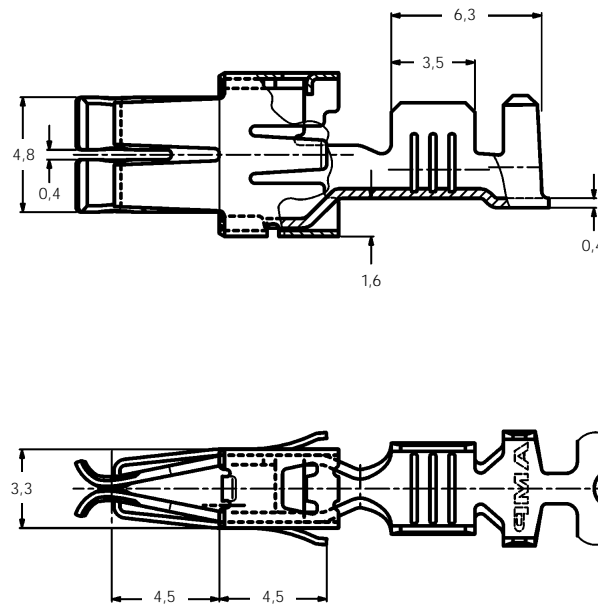
Tabellenzeichnung:
1355049

Mit Rundumschulter

With Modified Spring

Standard Power Timer Kontakte (continued)

Chart-Drawing:
1355049



Mit Rundumschulter

With Modified Spring

Leiterquerschnittsbereich Wire Size Range (mm ²)	Isolierungsdurchmesser Insulation Diameter max. (mm) FLR	Material und Oberfläche* Material and Finish*	Bestell-Nummern/Part Numbers					
			Bandausführung Strip Form	Packungseinheit Packaging Unit	Einzelausführung Loose-Piece	Packungseinheit Packaging Unit	Anschlagwerkzeug Applicator	Handzange Hand Tool 539635-1 Matrize/Die Set
0,2-0,5	1,15-1,60	-1	964322	2.300	964321	500	x-878712-x	539665-2
0,5-1,0	1,40-2,10	-1	964324	2.300	964323	500	x-878713-x	539665-2
>1,0-2,5	2,20-3,00	-1	964326	2.300	964325	500	x-878714-x	539665-2
>2,5-4,0	3,30-4,50	-1	964328	2.300	964327	500	x-878711-x	539665-2

Einzel dichtungs-System mit Rundumschulter

Single Wire Sealing System with Modified Spring

Leiterquerschnittsbereich Wire Size Range (mm ²)	Isolierungsdurchmesser Insulation Diameter (mm) max. FLR	Material und Oberfläche* Material and Finish*	Bestell-Nummern/Part Numbers							
			Bandausführung Strip Form	Packungseinheit Packaging Unit	Einzelausführung Loose-Piece	Packungseinheit Packaging Unit	Anschlagwerkzeug Applicator	Handzange Hand Tool 539635-1 Matrize/Die Set	Einzel dichtung Single Wire Seal	Packungseinheit Packaging Unit
0,5-1,0	1,4-2,7	-1	969040	1.500	969041	500	x-541566-x	539666-2	963243-1	2.500
>1,0-2,5	2,2-3,7	-1	969042	1.500	969043	500	x-541567-x	539666-2	963244-1	2.500
>2,5-4,0	3,4-4,5	-1	969044	1.500	969045	500	x-541568-x	539666-2	963245-1	2.500

* Material und Oberfläche:

-1 = CuFe, vorverzinnt

Weitere Oberflächen auf Anfrage.

* Material and Finish:

-1 = CuFe, pre-tin plated

Additional Finishes on request.

Flachstecker,
4,8 mm,
mit unsymmetrischer
Stahlüberfeder,
passend zu
Standard Power Timer

Tabs,
4.8 mm,
with Asymmetric
Cantilever Steel Spring
Mates with
Standard Power Timer

Ausdrückwerkzeug:

Best.-Nr. 726548-1

Produkt-Spezifikation:

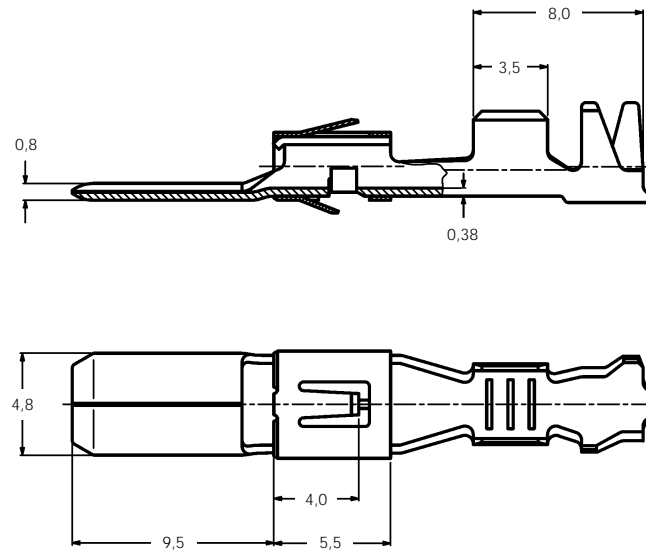
108-18064

Verarbeitungs-Spezifikation:

114-18052

Standard

Standard

**Extraction Tool:**

Part No. 726548-1

Product Specification:

108-18064

Application Specification:

114-18052

Flachstecker**Tab**

Leiterquer- schnittsbereich Wire Size Range (mm ²)	Isolierungsdurchmesser Insulation Diameter max. (mm)		Material und Oberfläche* Material and Finish*	Bestell-Nummern/Part Numbers				
	FLK	FLR		Band- ausführung Strip Form	Packungs- einheit Packaging Unit	Einzel- ausführung Loose- Piece	Packungs- einheit Packaging Unit	Anschlag- werkzeug Applicator
0,2-0,5	-	1,1-1,6	-1/-2	963824	3.000	963825	500	x-878609-x
0,5-1,0	-	1,4-2,0	-1/-2	962903	3.000	963816	500	x-878610-x
0,5-1,0	2,0-2,7	-	-1/-2	962908	3.000	963821	500	x-878612-x
>1,0-2,5	-	2,1-2,9	-1/-2	962904	2.500	963817	500	x-878611-x
>2,5-4,0	3,3-4,5	-	-1/-2	962910	1.700	963823	500	x-878614-x

*** Material und Oberfläche:**

-1 = CuSn, vorverzinkt

-2 = CuFe, vorverzinkt

Weitere Oberflächen auf Anfrage.

*** Material and Finish:**

-1 = CuSn, pre-tin plated

-2 = CuFe, pre-tin plated

Additional Finishes on request.

Einzeldichtungs-System**Single Wire Sealing System**

Leiterquer- schnittsbereich Wire Size Range (mm ²)	Isolierungsdurchmesser Insulation Diameter max. (mm)		Material und Oberfläche* Material and Finish*	Bestell-Nummern/Part Numbers				
	FLK	FLR		Band- ausführung Strip Form	Packungs- einheit Packaging Unit	Einzel- ausführung Loose- Piece	Packungs- einheit Packaging Unit	Anschlag- werkzeug Applicator
0,5-1,0	-	X	-2	962905	1.000	963818	500	x-878852-x
>1,0-2,5	-	X	-2	962906	1.000	963819	500	x-878853-x
>2,5-4,0	-	X	-2	962907	1.000	963820	500	x-878854-x

*** Material und Oberfläche:**

-2 = CuFe, vorverzinkt

Weitere Oberflächen auf Anfrage.

*** Material and Finish:**

-2 = CuFe, pre-tin plated

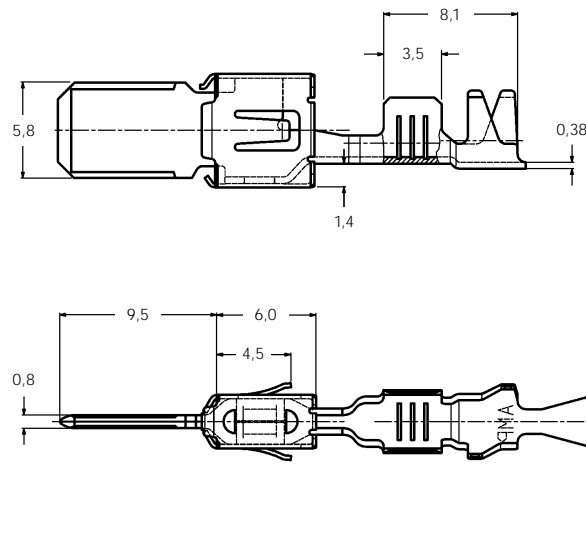
Additional Finishes on request.

Flachstecker,
5,8 mm x 0,8 mm,
mit symmetrischer
Stahlüberfeder,
passend zu
Standard Power Timer

Tabs,
5.8 mm x 0.8 mm,
with Symmetric
Cantilever Steel Spring,
Mates with
Standard Power Timer

Ausdrückwerkzeug:
Best.-Nr. 968107-1
Siehe Tabellenzeichnung:
1241895
Produkt-Spezifikation:
108-18064
Verarbeitungs-Spezifikation:
114-18052

Standard



Standard

Extraction Tool:
Part No. 968107-1
See Chart Drawing:
1241895
Product Specification:
108-18064
Application Specification:
114-18052

Flachstecker

Tab

Leiterquer- schnittsbereich Wire Size Range (mm ²)	Isolierungs- durchmesser Insulation Diameter (mm) max.		Material und Oberfläche Material and Finish	Bestell-Nummern/Part Numbers					
	FLK	FLR		Band- ausführung Strip Form	Packungs- einheit Packaging Unit	Einzel- ausführung Loose- Piece	Packungs- einheit Packaging Unit	Anschlag- werkzeug Applicator	Handzange Hand Tool 539635-1 Matrize/Die Set
0,5-1,0	-	1,4-2,1	CuSn, vorverzinkt/Phosphor bronze, pre-tin plated	1-963734-1	1.700	1-963737-1	500		
			CuSn, vorversilbert/Phosphor bronze, pre-silver plated	1-963734-2	1.700	1-963737-2	500	x-878654-x	539759-2
			CuFe, vorverzinkt/CuFe, pre-tin plated	2-963734-1	1.700	2-963737-1	500		
1,0-2,5	-	2,2-3,0	CuSn, vorverzinkt/Phosphor bronze, pre-tin plated	1-963735-1	1.800	1-963738-1	500		
			CuSn, vorversilbert/Phosphor bronze, pre-silver plated	1-963735-2	1.800	1-963738-2	500	x-878561-x	-
			CuFe, vorverzinkt/CuFe, pre-tin plated	2-963735-1	1.800	2-963738-1	500		
1,0-2,5	2,7-3,7	-	CuSn, vorverzinkt/Phosphor bronze, pre-tin plated	1-962845-1	1.700	1-963740-1	500	x-878563-x	539759-2
>2,5-4,0	-	2,7-3,7	CuSn, vorverzinkt/Phosphor bronze, pre-tin plated	1-963736-1	1.800	1-963739-1	500	x-878562-x	539623-1*
			CuFe, vorverzinkt/CuFe, pre-tin plated	2-963736-1	1.800	2-963739-1	500		
>2,5-4,0	3,3-4,5	-	CuFe, vorverzinkt/CuFe, pre-tin plated	2-962846-1	1.800	2-963741-1	500	x-878564-x	539759-2

* Handzange mit Matrize

* Hand Tool with Die Set

Einzeldichtungs-System

Single Wire Sealing System

Leiterquer- schnittsbereich Wire Size Range (mm ²)	Isolierungs- durchmesser Insulation Diameter (mm) max.		Material und Oberfläche Material and Finish	Bestell-Nummern/Part Numbers					
	FLK	FLR		Band- ausführung Strip Form	Packungs- einheit Packaging Unit	Einzel- ausführung Loose- Piece	Packungs- einheit Packaging Unit	Anschlag- werkzeug Applicator	Handzange Hand Tool 539635-1 Matrize/Die Set
0,5-1,0	-	1,4-2,1	CuSn, vorverzinkt/Phosphor bronze, pre-tin plated	1-962917-1	1.800	1-963742-1	500	x-878565-x	539757-2
1,0-2,5	-	2,2-3,0	CuSn, vorverzinkt/Phosphor bronze, pre-tin plated	1-962918-1	1.500	1-963743-1	500	x-878566-x	539757-2
>2,5-4,0	-	2,7-3,7	CuSn, vorverzinkt/Phosphor bronze, pre-tin plated	1-962919-1	1.500	1-963744-1	500	x-878567-x	539757-2

Weitere Oberflächen auf Anfrage.

Additional Finishes on request.

Flachstecker,
5,8 mm x 0,8 mm,
mit symmetrischer
Stahlüberfeder,
passend zu
Standard Power Timer
(Fortsetzung)

Tabs,
5.8 mm x 0.8 mm,
with Symmetric
Cantilever Steel Spring,
Mates with
Standard Power Timer
(continued)

Ausdrückwerkzeug:

Best.-Nr. 968107-1

Siehe Tabellenzeichnung:

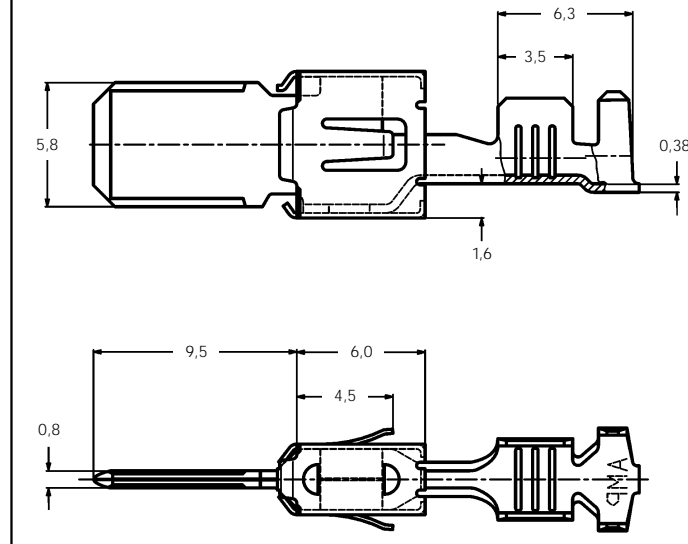
1394011

Produkt-Spezifikation:

108-18064

Verarbeitungs-Spezifikation:

114-18052

Mit Rundumschulter**With Modified Spring****Extraction Tool:**

Part No. 968107-1

See Chart Drawing:

1394011

Product Specification:

108-18064

Application Specification:

114-18052

Flachstecker mit Rundumschulter**Tabs with Modified Spring**

Leiterquer- schnittsbereich Wire Size Range (mm ²)	Isolierungs- durchmesser Insulation Diameter (mm) max. FLR	Material und Oberfläche Material and Finish	Bestell-Nummern/Part Numbers					
			Band- ausführung Strip Form	Packungs- einheit Packaging Unit	Einzel- ausführung Loose- Piece	Packungs- einheit Packaging Unit	Anschlag- werkzeug Applicator	Handzange Hand Tool 539635-1 Matrize/Die Set
0,20-0,35	1,1-1,6	CuFe, vorverzinkt/CuFe, pre-tin plated	969007-1	2.000	969008-1	500	x-878967-x	539665-2
0,50-1,00	1,4-2,1	CuFe, vorverzinkt/CuFe, pre-tin plated	964304-1	2.000	964303-1	500	x-878955-x	539665-2
>1,00-2,50	2,2-3,0	CuFe, vorverzinkt/CuFe, pre-tin plated	964306-1	1.900	964305-1	500	x-878956-x	539665-2
>2,50-4,00	2,7-3,7	CuFe, vorverzinkt/CuFe, pre-tin plated	964308-1	1.800	964307-1	500	x-878957-x	539665-2

Einzeldichtungs-System mit Rundumschulter**Single Wire Sealing System with Modified Spring**

Leiterquer- schnittsbereich Wire Size Range (mm ²)	Isolierungs- durchmesser Insulation Diameter (mm) max. FLR	Material und Oberfläche Material and Finish	Bestell-Nummern/Part Numbers					
			Band- ausführung Strip Form	Packungs- einheit Packaging Unit	Einzel- ausführung Loose- Piece	Packungs- einheit Packaging Unit	Anschlag- werkzeug Applicator	Handzange Hand Tool 539635-1 Matrize/Die Set
0,50-1,00	1,4-2,1	CuFe, vorverzinkt/CuFe, pre-tin plated	964310-1	2.000	964309-1	500	x-878958-x	539666-2
>1,00-2,50	2,2-3,0	CuFe, vorverzinkt/CuFe, pre-tin plated	964312-1	1.900	964311-1	500	x-878959-x	539666-2
>2,50-4,00	2,7-3,7	CuFe, vorverzinkt/CuFe, pre-tin plated	964314-1	1.800	964313-1	500	x-878960-x	539666-2

Flachstecker,
seitengeführt,
6,3 mm x 0,8 mm
nach DIN 46343,
passend zu
Standard Power Timer

Tabs,
Side Feed,
6.3 mm x 0.8 mm,
according to DIN 46343
Mates with
Standard Power Timer

Ausdrückwerkzeug:

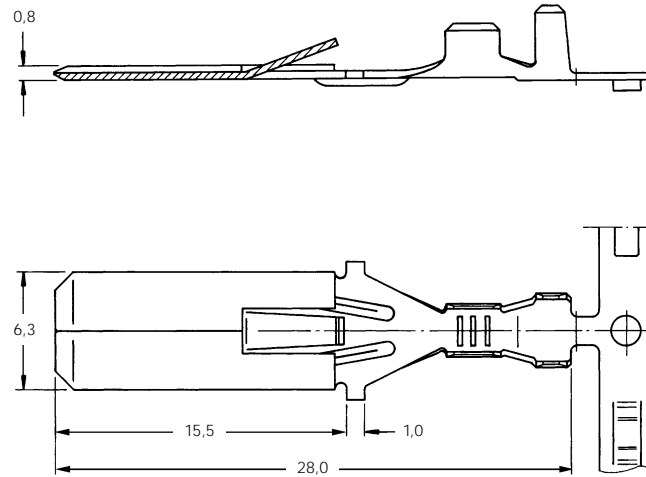
Best.-Nr. 725864-1

Produkt-Spezifikation:

108-18064

Verarbeitungs-Spezifikation:

114-18052

Flachstecker**Tab****Extraction Tool:**

Part No. 725864-1

Product Specification:

108-18064

Application Specification:

114-18052

Flachstecker**Tab**

Leiterquer- schnittsbereich Wire Size Range (mm ²)	Isolierungsdurchmesser Insulation Diameter max. (mm) FLK	Material und Oberfläche* Material and Finish*	Bestell-Nummern/Part Numbers					
			Band- ausführung Strip Form	Packungs- einheit Packaging Unit	Einzel- ausführung Loose- Piece	Packungs- einheit Packaging Unit	Anschlag- werkzeug Applicator	Handzange Hand Tool
0,5-1,0	1,4-2,1	-1/-2	963951	3.000	963952	500	x-878771-x	734681-1
>1,0-2,5	2,2-3,0	-1	963953	2.500	963954	500	x-878772-x	734682-1
>2,5-4,0	3,0-4,4	-1	963955	2.000	963956	500	x-878773-x	734683-1

*** Material und Oberfläche:**

-1 = CuSn, blank

-2 = CuSn, vorverzinnt

Weitere Oberflächen auf Anfrage.

*** Material and Finish:**

-1 = CuSn, plain

-2 = CuSn, pre-tin plated

Additional Finishes on request.

Maxi Power Timer Kontakte

Technische Daten

Kontaktmaterial:

CuNiSi,
Überfeder aus rostfreiem Stahl

Kontaktfläche:

vorverzinnt

Leiterquerschnittsbereich:

>2,5–4,0 mm²
4,0–6,0 mm²
6,0–10,0 mm²

Kontakt-Übergangswiderstand (Neuzustand):

<0,3 mΩ

Max. Gesamttemperatur:

–40 °C bis +130 °C (verzinnt)

Anzahl der Steckzyklen:

10 (verzinnt)

Ausdrückwerkzeug:

Best.-Nr. 726551-1

Steckkraft:

<40 N

Ziehkraft:

>6 N

Ausreißkraft:

- aus Gehäuse ohne 2. Kontaktsicherung min. 150 N
- aus Gehäuse nur 2. Kontaktsicherung min. 100 N

Produkt-Spezifikation:

108-18047

Verarbeitungs-Spezifikation:

114-18075



Rastermaße

Normale Ausführung:

min. 11,0 mm x 12,5 mm

Einzeldichtung:

16,0 mm x 16,0 mm

Einzeldichtung:

10,0 mm Durchmesser in Kammer mit 15,0 mm Durchmesser

Steckungen-Abmessungen:

9,5 mm x 1,2 mm und
Flachsicherungseinsätze nach
DIN 72581, Teil 3, Form E

Modular Dimensions

Normal Version:

min. 11.0 mm x 12.5 mm

Single Wire Seal:

16.0 mm x 16.0 mm

Single Wire Seal:

Diameter 10.0 mm in cavity with diameter 15.0 mm

Tab Dimensions:

9.5 mm x 1.2 mm and
fused contacts according
DIN 72581, Part 3, Form E

Maxi Power Timer Contacts

Technical Features

Contact Material:

CuNiSi,
cantilever spring stainless steel

Contact Finish:

pre-tin plated

Wire Size Range:

>2.5–4.0 mm²
4.0–6.0 mm²
6.0–10.0 mm²

Contact Resistance (New State):

<0,3 mΩ

Total Temperature max.:

–40 °C to +130 °C (tin plated)

Mating Cycles:

10 (tin plated)

Extraction Tool:

Part No. 726551-1

Insertion Force:

<40 N

Extraction Force:

>6 N

Retention Force:

- from housings without second locking device min. 150 N
- from housings only second locking device min. 100 N

Product Specification:

108-18047

Application Specification:

114-18075

Max. Strom:
im 2poligen Gehäuse (voll bestückt)

Max. Current:
in 2 Positions Housing (Fully Loaded)

Temperatur Temperature (°C)	Strombelastbarkeit/Current Carrying Capacity A					
	Flachstecker/Tab 9,5 mm x 1,2 mm			Flachsicherungseinsatz/Maxi Littelfuse 8,0 mm x 0,38 mm		
	4,0 mm ²	6,0 mm ²	10,0 mm ²	4,0 mm ²	6,0 mm ²	10,0 mm ²
20	45,0	57,0	71,0	40,0	50,0	60,0
90	27,0	28,0	32,0	27,0	28,0	32,0

Leiterquerschnittsbereich Wire Size Range (mm ²)	Meßwerte/Measured Values	
	Crimpauszugskräfte Crimp Extraction Force	Crimpübergangswiderstände Crimp Contact Resistance
4,0	>300 N	–
6,0	>400 N	–
10,0	>500 N	–
>2,5–4,0	–	<0,20 mΩ
4,0–6,0	–	<0,10 mΩ
6,0–10,0	–	<0,06 mΩ

Maxi Power Timer Kontakte (Fortsetzung)

Kontaktmaterial:
CuNiSi

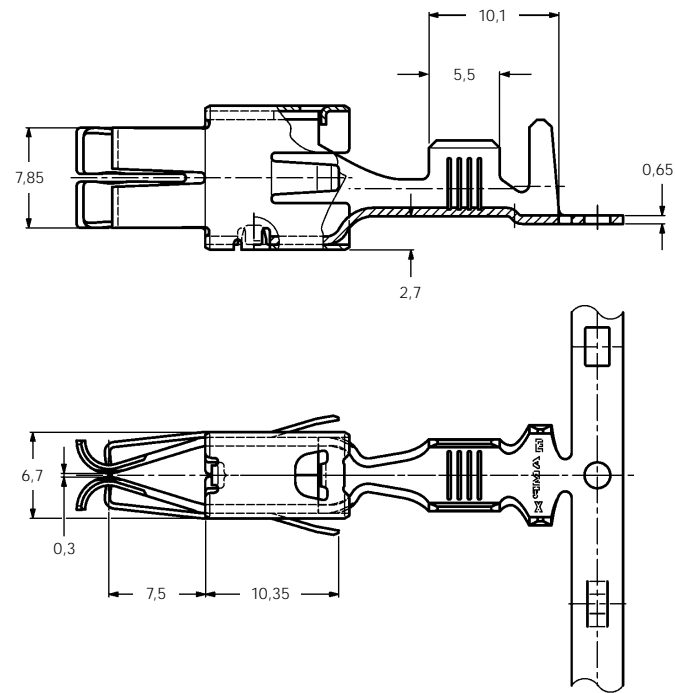
Kontaktfläche:
vorverzinnt

Ausdrückwerkzeug:
Best.-Nr. 726551-1

Produkt-Spezifikation:
108-18047

Verarbeitungs-Spezifikation:
114-18075

Standard



Standard

Maxi Power Timer Contacts (continued)

Contact Material:
CuNiSi

Contact Finish:
pre-tin plated

Extraction Tool:
Part No. 726551-1

Product Specification:
108-18047

Application Specification:
114-18075

Standard

Standard

Leiterquerschnittsbereich Wire Size Range (mm ²)	Isolierungsdurchmesser Insulation Diameter (mm) max. FLK	Bestell-Nummern/Part Numbers					
		Band-ausführung Strip Form	Packungseinheit Packaging Unit	Einzel-ausführung Loose-Piece	Packungseinheit Packaging Unit	Anschlagwerkzeug Applicator	Handzange Hand Tool
>2,5- 4,0	3,3-4,7	962928-1	750	962929-1	500	x-878592-x	734531-1
4,0- 6,0	4,0-5,2	962930-1	750	962931-1	500	x-878593-x	734532-1
6,0-10,0	4,7-6,6	962932-1	750	962933-1	500	x-878659-x	734533-1

Rastermaß, Standard-Ausführung:
min. 11,0 mm x 12,5 mm

Rastermaß mit Einzeldichtungs-System:
16,0 mm x 16,0 mm

Weitere Oberflächen auf Anfrage.

Modular Dimensions, Standard Version:
min. 11.0 mm x 12.5 mm

Modular Dimensions with Single Wire Sealing System:
16.0 mm x 16.0 mm

Additional Finishes on request.

Einzeldichtungs-System

Single Wire Sealing System

Leiterquerschnittsbereich Wire Size Range (mm ²)	Isolierungsdurchmesser Insulation Diameter (mm) max. FLK	Bestell-Nummern/Part Numbers				
		Band-ausführung Strip Form	Packungseinheit Packaging Unit	Einzel-ausführung Loose-Piece	Packungseinheit Packaging Unit	Anschlagwerkzeug Applicator
>2,5- 4,0	4,0-4,5	962934-1	550	962935-1	500	x-878594-x
4,0- 6,0	4,7-5,3	962936-1	550	962937-1	500	x-878595-x
6,0-10,0	6,2-6,6	962938-1	550	962939-1	500	x-878660-x

Rastermaß, Standard-Ausführung:
min. 11,0 mm x 12,5 mm

Rastermaß mit Einzeldichtungs-System:
16,0 mm x 16,0 mm

Weitere Oberflächen auf Anfrage.

Modular Dimensions, Standard Version:
min. 11.0 mm x 12.5 mm

Modular Dimensions with Single Wire Sealing System:
16.0 mm x 16.0 mm

Additional Finishes on request.

Flachstecker,
9,5 mm x 1,2 mm,
mit symmetrischer
Stahlüberfeder,
passend zu
Maxi Power Timer

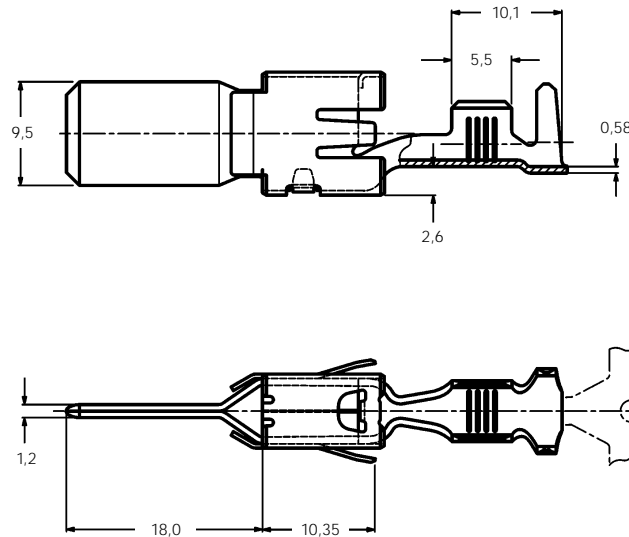
Tabs,
9.5 mm x 1.2 mm,
with Symmetric
Cantilever Steel Spring,
Mates with
Maxi Power Timer

Ausdrückwerkzeug:
Best.-Nr. 726552

Produkt-Spezifikation:
108-18047

Verarbeitungs-Spezifikation:
114-18076

Flachstecker



Tab

Extraction Tool:
Part No. 726552

Product Specification:
108-18047

Application Specification:
114-18076

Flachstecker

Tab

Leiterquer- schnittsbereich Wire Size Range (mm ²)	Isolierungsdurchmesser Insulation Diameter max. (mm)	Material und Oberfläche* Material and Finish*	Bestell-Nummern/Part Numbers					
			Band- ausführung Strip Form	Packungs- einheit Packaging Unit	Einzel- ausführung Loose- Piece	Packungs- einheit Packaging Unit	Anschlag- werkzeug Applicator	Handzange Hand Tool
>2,5- 4,0	3,3-4,7	-1/-2	963764	700	963765	500	x-878592-x	734531-1
4,0- 6,0	4,0-5,2	-1/-2	963766	700	963767	500	x-878593-x	734532-1
6,0-10,0	4,7-6,6	-1/-2	963768	700	963769	500	x-878659-x	734533-1

* Material und Oberfläche:

-1 = CuSn, vorverzinnt
-2 = CuFe, vorverzinnt

Rastermaß, Standard-Ausführung:

min. 11,0 mm x 12,5 mm

Rastermaß mit Einzeldichtungs-System:

18,0 mm x 18,0 mm

* Material and Finish:

-1 = CuSn, pre-tin plated
-2 = CuFe, pre-tin plated

Modular Dimensions, Standard Version:

min. 11.0 mm x 12.5 mm

Modular Dimensions with Single Wire Sealing System:

18.0 mm x 18.0 mm

Einzeldichtungs-System

Single Wire Sealing System

Leiterquer- schnittsbereich Wire Size Range (mm ²)	Isolierungsdurchmesser Insulation Diameter max. (mm)	Material und Oberfläche* Material and Finish*	Bestell-Nummern/Part Numbers				
			Band- ausführung Strip Form	Packungs- einheit Packaging Unit	Einzel- ausführung Loose- Piece	Packungs- einheit Packaging Unit	Anschlag- werkzeug Applicator
>2,5- 4,0	4,0-4,5	-1/-2	963770	550	963771	500	x-878980-x
4,0- 6,0	4,7-5,3	-1/-2	963772	550	963773	500	x-878734-x
6,0-10,0	6,2-6,6	-1/-2	963774	550	963775	500	x-878735-x

* Material und Oberfläche:

-1 = CuSn, vorverzinnt
-2 = CuFe, vorverzinnt

Rastermaß, Standard-Ausführung:

min. 11,0 mm x 12,5 mm

Rastermaß mit Einzeldichtungs-System:

18,0 mm x 18,0 mm

* Material and Finish:

-1 = CuSn, pre-tin plated
-2 = CuFe, pre-tin plated

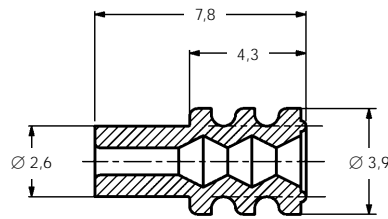
Modular Dimensions, Standard Version:

min. 11.0 mm x 12.5 mm

Modular Dimensions with Single Wire Sealing System:

18.0 mm x 18.0 mm

Einzeldichtungen

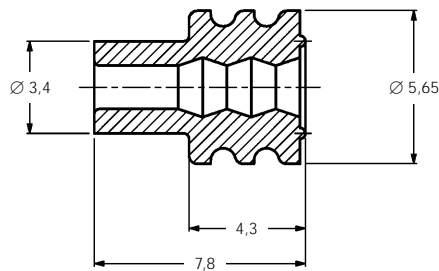
Micro Timer System
1,6 mm Flachstecker

Leiterquerschnittsbereich Wire Size Range (mm ²) FLR	Isolierungsdurchmesser Insulation Diameter (mm)	Bestellnummer Part Number	Farbe Color	Packungseinheit Packaging Unit
0,35	1,2-1,3	964971-1	rot/red	10.000
0,50	1,4-1,6	1394133-1	blau/blue	10.000
0,75	1,7-1,9	963530-1	grau/grey	10.000
1,00	1,9-2,1	964972-1	gelb/yellow	10.000
	Blindstopfen/Dead End Plug	963531-1	weiß/white	10.000

Single Wire Sealing

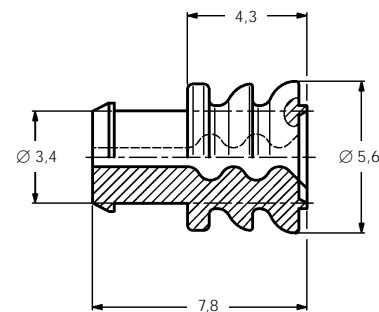
Micro Timer System
1.6 mm Tabs

Einzeldichtungen

Junior Power Timer
2,8 mm Flachstecker

Leiterquerschnittsbereich Wire Size Range (mm ²) FLR	Isolierungsdurchmesser Insulation Diameter (mm)	Bestellnummer Part Number	Farbe Color	Packungseinheit Packaging Unit
0,35-1,00	1,2-2,1	963294-1	blau/blue	5.000
1,50	2,2-2,7	963293-1	rotbraun/redbrown	6.000
2,50	2,7-3,0	963292-1	gelb/yellow	6.000
-	Blindstopfen/Dead End Plug	-	-	-

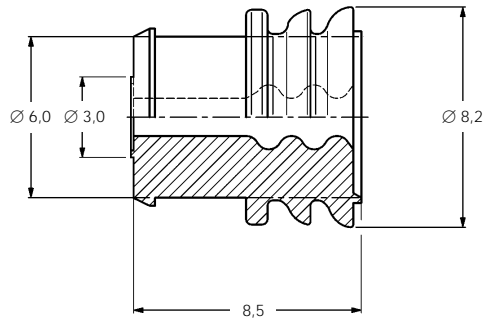
Single Wire Sealing

Junior Power Timer
2.8 mm Tabs

Leiterquerschnittsbereich Wire Size Range (mm ²) FLR	Isolierungsdurchmesser Insulation Diameter (mm)	Bestellnummer Part Number	Farbe Color	Packungseinheit Packaging Unit
0,35-1,00	1,2-2,1	828904-1	blau/blue	1.000
		828904-2	blau/blue	10.000
1,50-2,50	2,2-3,0	828905-1	weiß/white	10.000
-	Blindstopfen/Dead End Plug	828922-1	natur/natural	5.000

Einzeldichtungen (Fortsetzung)

Standard Power Timer 5,8 (4,8) mm Flachstecker

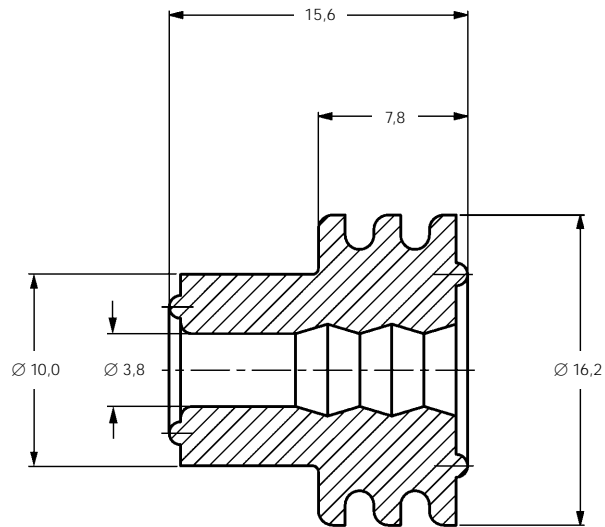


Leiterquerschnittsbereich Wire Size Range (mm ²) FLR	Isolierungsdurchmesser Insulation Diameter (mm)	Bestell- Nummer Part Number	Farbe Color	Packungs- einheit Packaging Unit
0,35-1,00	1,2-2,1	963243-1	blau/blue	2.500
1,50-2,50	2,2-3,0	963244-1	weiß/white	2.500
4,00	3,4-3,7	963245-1	gelb/yellow	2.500
Blindstopfen/Dead End Plug		100132-1	schwarz/black	1.000

Single Wire Sealing (continued)

Standard Power Timer 5.8 (4.8) mm Tabs

Maxi Power Timer Kontakt und 9,5 mm Flachstecker



Leiterquerschnittsbereich Wire Size Range (mm ²) FLK	Isolierungsdurchmesser Insulation Diameter (mm)	Bestell- Nummer Part Number	Farbe Color	Packungs- einheit Packaging Unit
6,0	4,7-5,3	1355307-1	hellblau/lightblue	4.000

Maxi Power Timer Contact and 9.5 mm Tab

Timer Gehäuse und Messerleisten

Timer Gehäuse gibt es für folgende Anwendungen

Timer Housings and Tab Headers

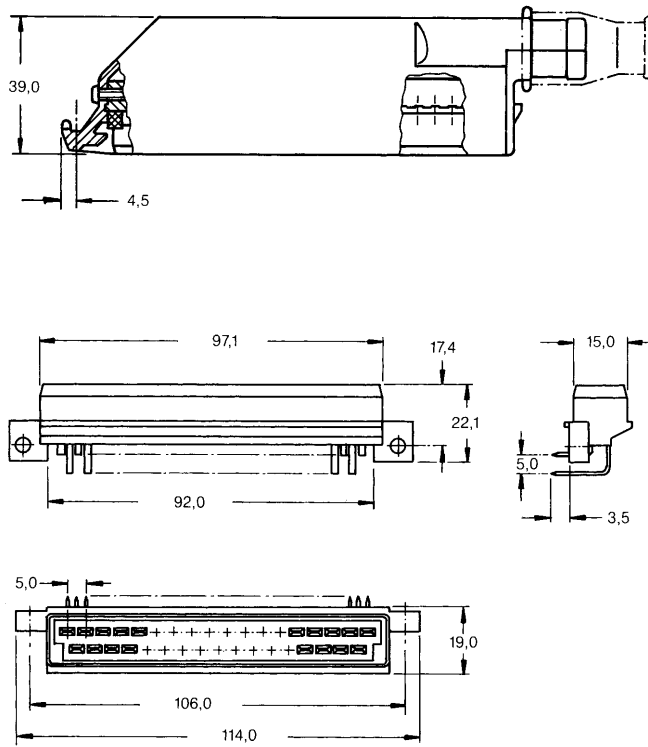
Timer Housings are available for following Applications

Aggregat-Anschlüsse



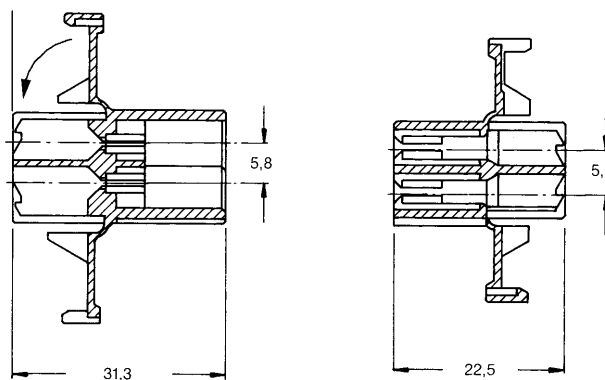
Group Connection

Buchsengehäuse mit den dazu passenden Messerleisten (Steuergeräte-Anschluß)



Receptacle Housings with Mating Tab Headers (Control Gear Connection)

Buchsengehäuse mit den dazu passenden Flachsteckergehäusen (fliegende Kupplung) mit zweiter Kontaktsicherung



Receptacle Housings with Mating Tab Housings (Flying Coupling) with Secondary Locking Feature

Timer Gehäuse, mit Verriegelungsfeder und Dichtung

Technische Daten

- Gehäuse auch aus schwer entflammbarem Polyamid lieferbar
- Unverwechselbar kodiert
- Zusätzliche Kontaktsicherung
- **Temperaturbereich:**
-40 °C bis +110 °C
- Dichtigkeit nach
IPX 4K (DIN 40050, Teil 9)

Timer Housings, with Locking Spring and Seal

Technical Features

- Housing of flame-retardant polyamide also available
- Unmistakeable keying
- Additional contact locking device
- **Temperature Range:**
-40 °C to +110 °C
- Sealing according
IPX 4K (DIN 40050, Part 9)

Typ A



Type A

Typ B



Type B

Typ C



Type C

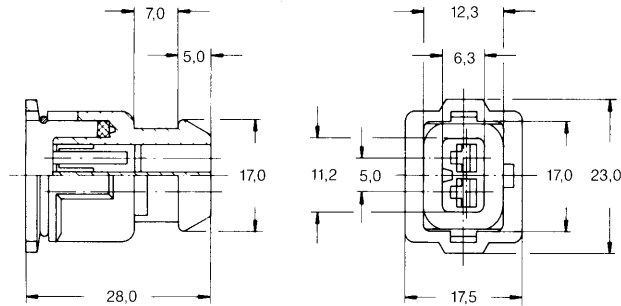
Junior Timer Gehäuse, mit Verriegelungsfeder und Dichtung

Typ A

2polig

Best.-Nr. **826008-1** (grau)
Best.-Nr. **826008-5** (schwarz)

Weitere Farben auf Anfrage.



Junior Timer Housings, with Locking Spring and Seal

Type A

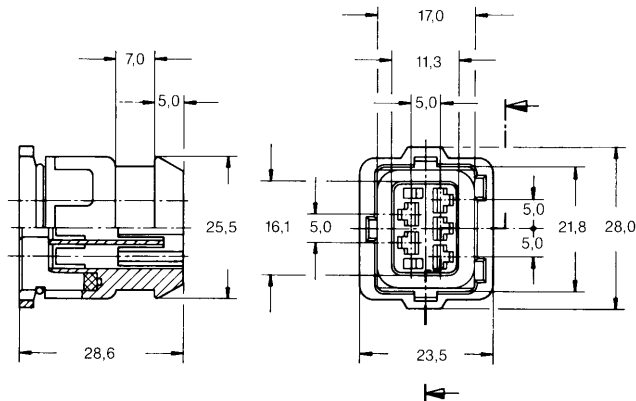
2 Positions

Part No. **826008-1** (grey)
Part No. **826008-5** (black)

Additional colors on request.

5polig

Best.-Nr. **827656-1**

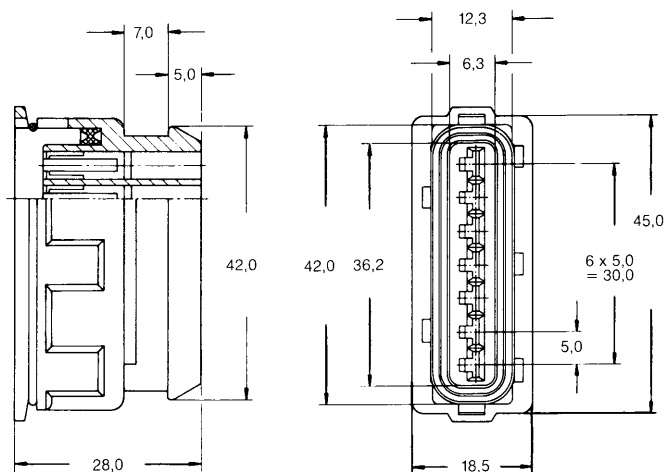


5 Positions

Part No. **827656-1**

7polig

Best.-Nr. **827216-1**



7 Positions

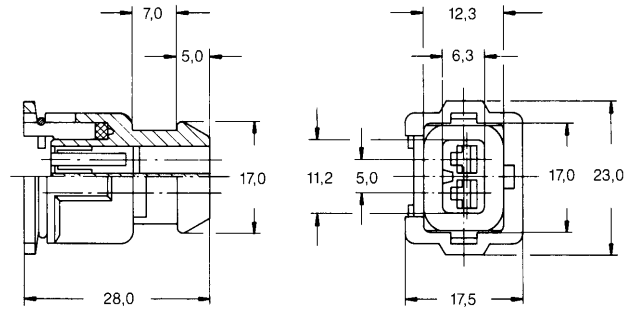
Part No. **827216-1**

**Junior Timer Gehäuse,
mit Verriegelungsfeder
und Dichtung**
(Fortsetzung)

Typ B

2polig

Best.-Nr. **825414-1** (grau)
Best.-Nr. **825414-3** (blau)
Best.-Nr. **825414-5** (schwarz)
Best.-Nr. **825414-6** (braun)



**Junior Timer Housings,
with Locking Spring
and Seal**
(continued)

Type B

2 Positions

Part No. **825414-1** (grey)
Part No. **825414-3** (blue)
Part No. **825414-5** (black)
Part No. **825414-6** (brown)

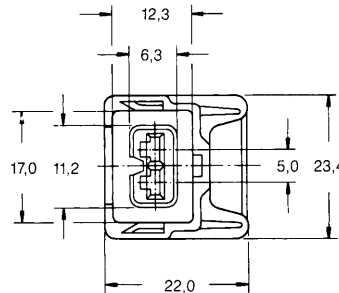
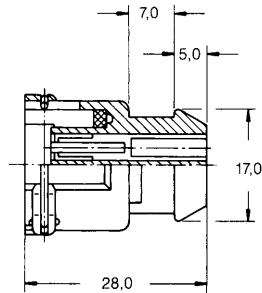
Junior Timer Gehäuse, mit Verriegelungsfeder und Dichtung (Fortsetzung)

Typ C

Für Junior Timer

2polig

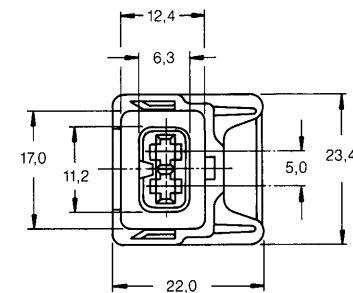
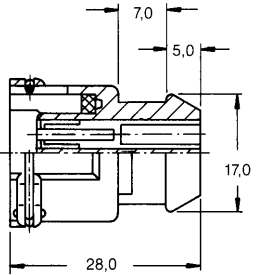
- Best.-Nr. **827551-1** (weiß)
- Best.-Nr. **827551-2** (grau)
- Best.-Nr. **827551-3** (schwarz)
- Best.-Nr. **827551-4** (braun)
- Best.-Nr. **827551-5** (blau)
- Best.-Nr. **827551-6** (grün)
- Best.-Nr. **827551-8** (gelb)



Für Junior Power Timer

2polig

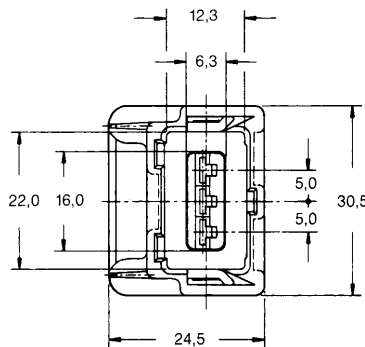
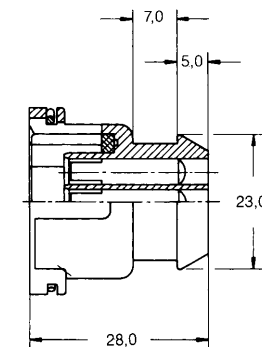
- Best.-Nr. **828657-1** (natur)
- Best.-Nr. **828657-3** (schwarz)
- Best.-Nr. **828657-4** (braun)
- Best.-Nr. **828657-5** (blau)
- Best.-Nr. **828657-6** (grün)



Für Junior Timer

3polig

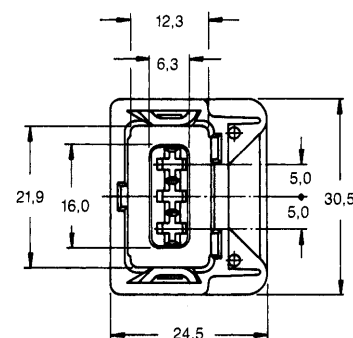
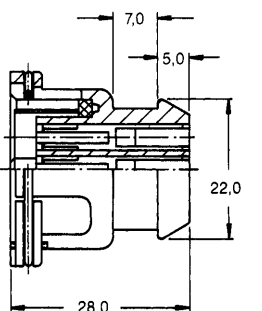
- Best.-Nr. **1-827578-1** (schwarz)
- Best.-Nr. **1-827578-2** (grau)



Für Junior Power Timer

3polig

- Best.-Nr. **828748-1** (weiß)
- Best.-Nr. **828748-3** (schwarz)



Junior Timer Housings, with Locking Spring and Seal (continued)

Type C

For Junior Timer

2 Positions

- Part No. **827551-1** (white)
- Part No. **827551-2** (grey)
- Part No. **827551-3** (black)
- Part No. **827551-4** (brown)
- Part No. **827551-5** (blue)
- Part No. **827551-6** (green)
- Part No. **827551-8** (yellow)

For Junior Power Timer

2 Positions

- Part No. **828657-1** (natural)
- Part No. **828657-3** (black)
- Part No. **828657-4** (brown)
- Part No. **828657-5** (blue)
- Part No. **828657-6** (green)

For Junior Timer

3 Positions

- Part No. **1-827578-1** (black)
- Part No. **1-827578-2** (grey)

For Junior Power Timer

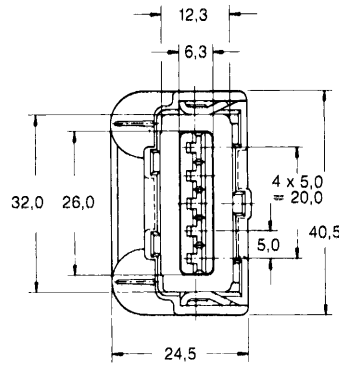
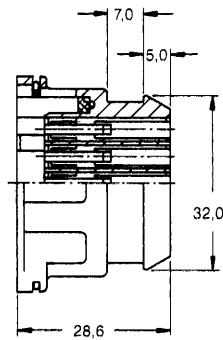
3 Positions

- Part No. **828748-1** (white)
- Part No. **828748-3** (black)

**Junior Timer Gehäuse,
mit Verriegelungsfeder
und Dichtung**
(Fortsetzung)

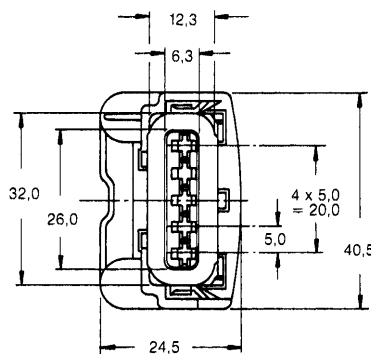
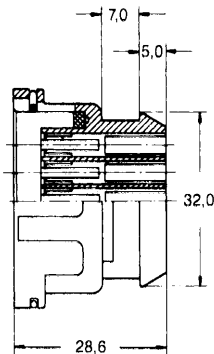
Typ C
Für Junior Timer

5polig
Best.-Nr. **827579-1** (schwarz)



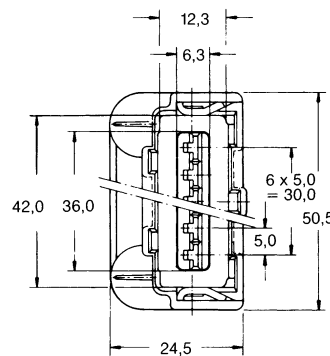
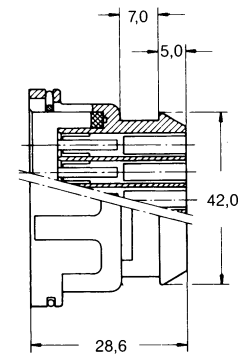
Für Junior Power Timer

5polig
Best.-Nr. **963013-1**



Für Junior Timer

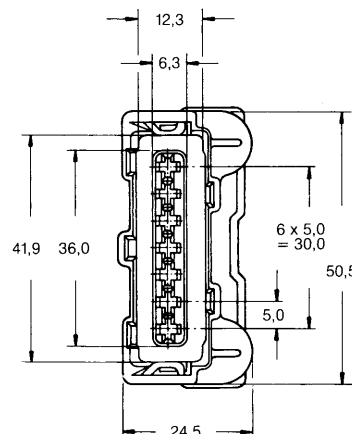
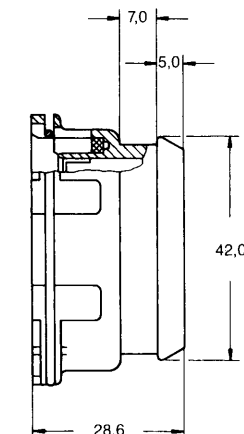
7polig
Best.-Nr. **827580-1** (schwarz)



Für Junior Timer

7polig
Best.-Nr. **827572-1**

Passend zu:
Best.-Nr. **827405-1**



**Junior Timer Housings,
with Locking Spring
and Seal**
(continued)

Type C
For Junior Timer

5 Positions
Part No. **827579-1** (black)

For Junior Power Timer

5 Positions
Part No. **963013-1**

For Junior Timer

7 Positions
Part No. **827580-1** (black)

For Junior Timer

7 Positions
Part No. **827572-1**

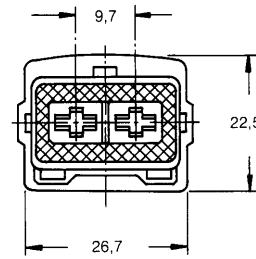
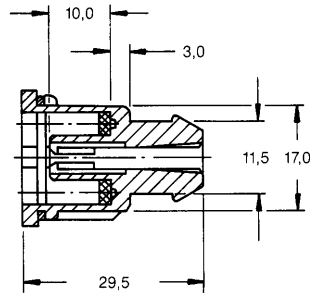
Mating with:
Part No. **827405-1**

**Junior Timer Gehäuse,
mit Verriegelungsfeder
und Dichtung**
(Fortsetzung)

**Junior Timer Housings,
with Locking Spring
and Seal**
(continued)

Typ B
Für Standard Power Timer

2polig
Best.-Nr. **828739-1** (schwarz)
Best.-Nr. **828739-2** (natur)
Best.-Nr. **828739-3** (rot)

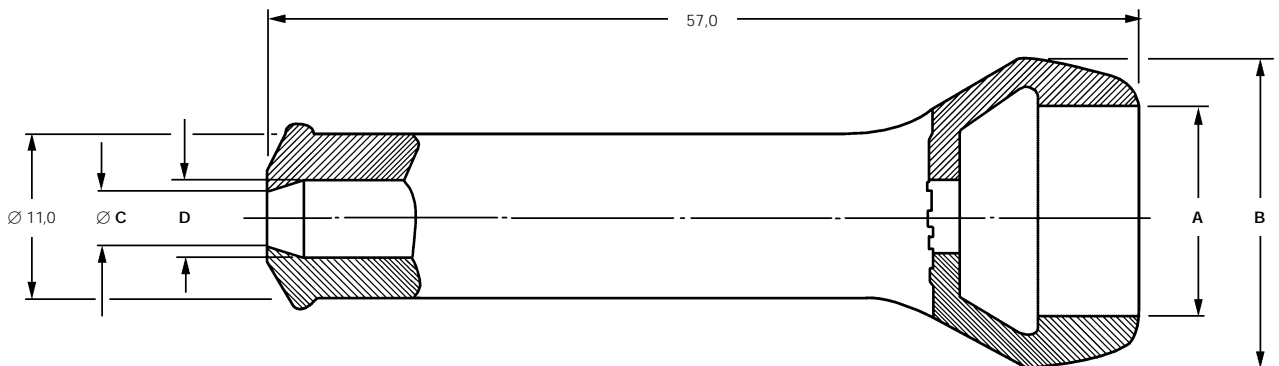


Type B
For Standard Power Timer

2 Positions
Part No. **828739-1** (black)
Part No. **828739-2** (natural)
Part No. **828739-3** (red)

Tüllen - Abmessungen

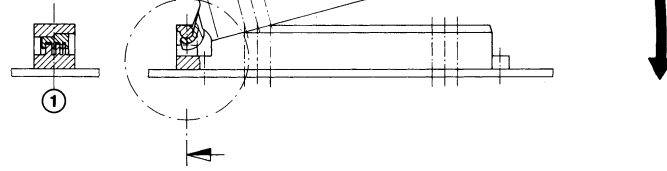
Rubber Boots - Dimensional Data



Tüllen- Bestell-Nummer Rubber Boot Part Number	Anzahl der Leiter Number of Wires	Abmessung „A“ Dimension "A" (mm)	Abmessung „B“ Dimension "B" (mm)	Abmessung „C“ Dimension "C" (mm)	Abmessung „D“ Dimension "D" (mm)
880810-1	2	12,5	20,5	4,6	5,0
880811-2	3	17,5	25,5	4,6	5,0
880814-1	5	27,5	35,0	6,5	7,0

Einhebel-Technik

Zum Verrasten hochpoliger Steckverbindungen bedient man sich entweder der „Einhebel-Technik“ (sequentielles Aufstecken über einen Winkel verteilt) oder einer Steck- und Ziehhilfe, welche die Messer- und Federleiste parallel kontaktiert.



① Mögliche Kodierung

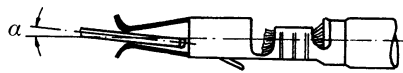
① Keying Possibility

Pivot Principle

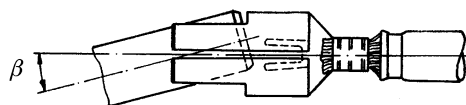
In order to connect high position connectors – there are two methods: pivot principle (sequential connection spread over an angle) or through the use of a insertion/extraction tool which allows parallel connection of male and female connectors.

Merkmale

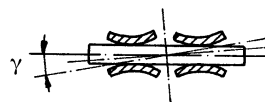
Ein besonderer Vorteil der Timer Kontakte ist die weitestgehende Unempfindlichkeit gegen schräges Stecken.



α bis zu 5° / α up to 5°



β bis zu 15° / β up to 15°



γ bis zu 1° / γ up to 1°

Features

The special advance of the Timer contacts, is its robustness against inclined mating.

Weitere Junior Timer- und Junior Power Timer- Gehäuse

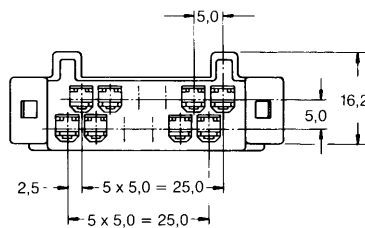
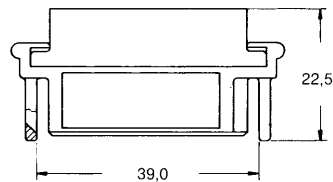
12polig – Junior Timer

Best.-Nr. **827603-1**

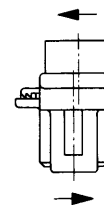
Passend zu:

Best.-Nr. **827229**,
90°-Messerleiste, siehe Seite 48

Ungedichtet



Unsealed



Additional Junior Timer and Junior Power Timer Housings

12 Pos. – Junior Timer

Part No. **827603-1**

Mating with:

Part No. **827229**,
90° Tab Header, see Page 48

15polig – Junior Power Timer

Best.-Nr. **926171-1** (schwarz)

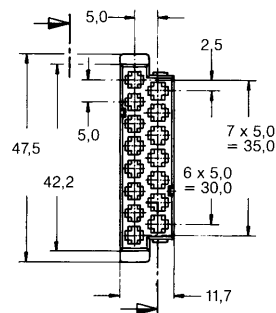
Best.-Nr. **926171-2** (gelb)

Passend zu:

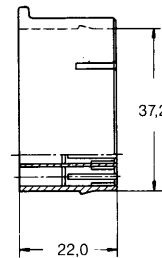
Best.-Nr. **826703**,
90°-Messerleiste, siehe Seite 48

Best.-Nr. **827467**,
180°-Messerleiste, siehe Seite 48

Ungedichtet



Unsealed



15 Pos. – Junior Power Timer

Part No. **926171-1** (black)

Part No. **926171-2** (yellow)

Mating with:

Part No. **826703**,
90° Tab Header, see Page 48
Part No. **827467**,
180° Tab Header, see Page 48

16polig – Junior Timer

Best.-Nr. **827584-1** (schwarz)

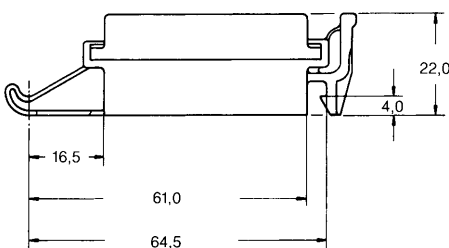
Best.-Nr. **827584-2** (gelb)

Passend zu:

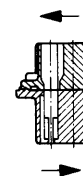
Best.-Nr. **827539**,
90°-Messerleiste, siehe Seite 49

Best.-Nr. **828662**,
180°-Messerleiste, siehe Seite 49

Ungedichtet



Unsealed



16 Pos. – Junior Timer

Part No. **827584-1** (black)

Part No. **827584-2** (yellow)

Mating with:

Part No. **827539**,
90° Tab Header, see Page 49
Part No. **828662**,
180° Tab Header, see Page 49

Weitere Junior Timer- und Junior Power Timer-Gehäuse
(Fortsetzung)

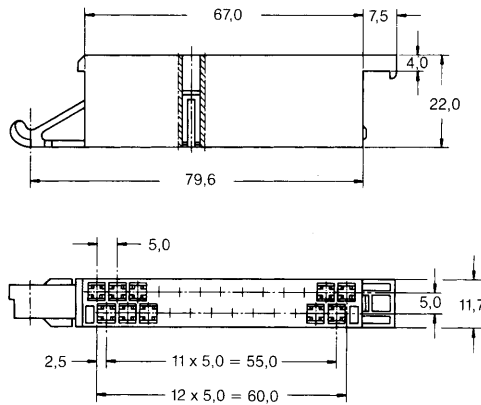
25polig – Junior Power Timer

Best.-Nr. **925470-1** (schwarz)
Best.-Nr. **925470-2** (gelb)
Kodierung rechts

Passend zu:

Best.-Nr. **826140**,
90°-Messerleiste, siehe Seite 50

Ungedichtet



Unsealed

Additional Junior Timer and Junior Power Timer Housings
(continued)

25 Pos. – Junior Power Timer

Part No. **925470-1** (black)
Part No. **925470-2** (yellow)
Keying right

Mating with:

Part No. **826140**,
90° Tab Header, see Page 50

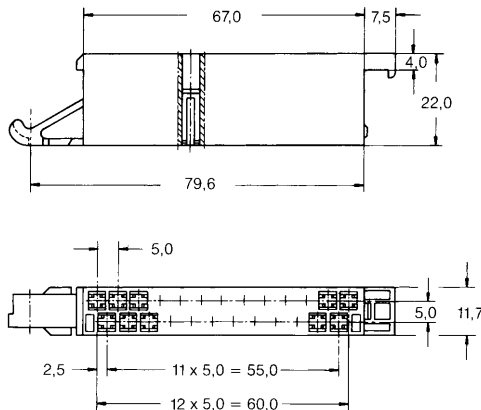
25polig – Junior Power Timer

Best.-Nr. **925471-1** (schwarz)
Best.-Nr. **925471-2** (gelb)
Kodierung links

Passend zu:

Best.-Nr. **826141**,
90°-Messerleiste, siehe Seite 50
Best.-Nr. **826195**,
180°-Messerleiste, siehe Seite 50

Ungedichtet



Unsealed

25 Pos. – Junior Power Timer

Part No. **925471-1** (black)
Part No. **925471-2** (yellow)
Keying left

Mating with:

Part No. **826141**,
90° Tab Header, see Page 50
Part No. **826195**,
180° Tab Header, see Page 50

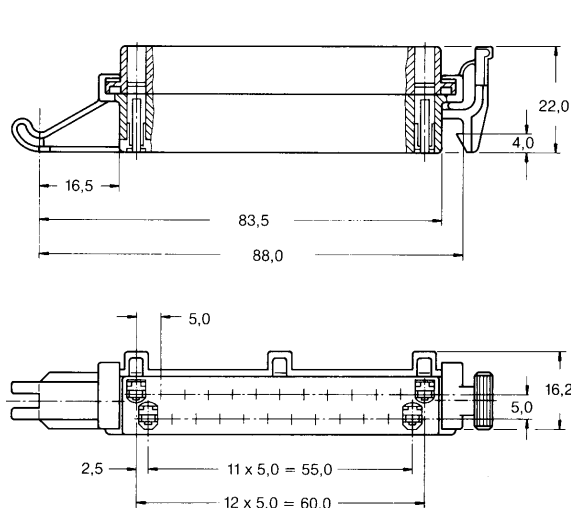
25polig – Junior Timer

Best.-Nr. **827534-1**

Passend zu:

Best.-Nr. **827535**,
90°-Messerleiste, siehe Seite 52

Ungedichtet



Unsealed

25 Pos. – Junior Timer

Part No. **827534-1**

Mating with:

Part No. **827535**,
90° Tab Header, see Page 52

**Weitere Junior Timer-
und Junior Power Timer-
Gehäuse**
(Fortsetzung)

25polig – Junior Power Timer

Best.-Nr. **963325-1**,
mit Tülle

Passend zu:

Best.-Nr. **827050**,
90°-Messerleiste, siehe Seite 51

Best.-Nr. **827019**,
90°-Messerleiste, siehe Seite 51

Gedichtet

Sealed

**Additional Junior Timer
and Junior Power Timer
Housings**
(continued)

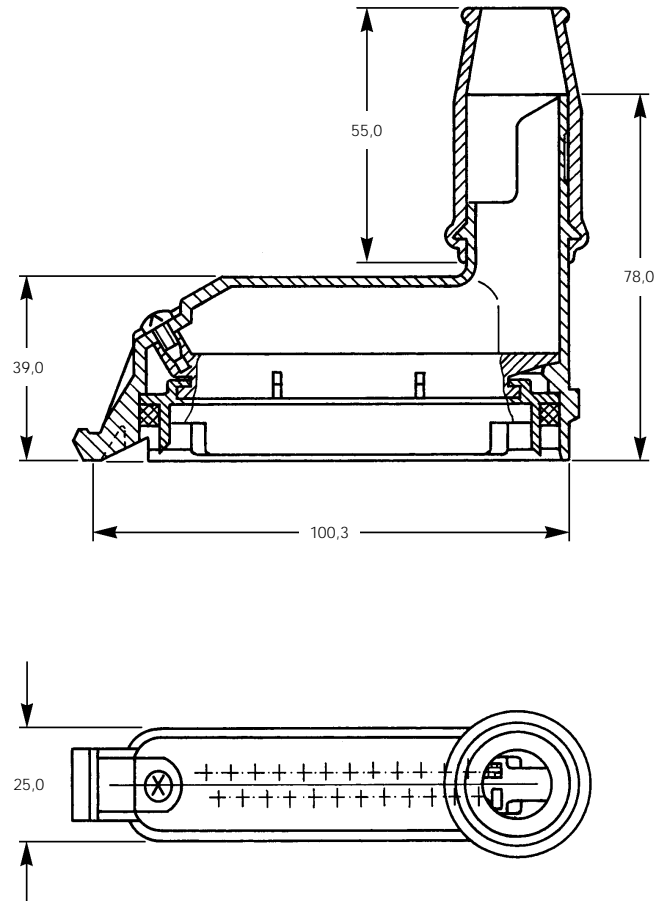
25 Pos. – Junior Power Timer

Part No. **963325-1**,
with Rubber Boots

Mating with:

Part No. **827050**,
90° Tab Header, see Page 51

Part No. **827019**,
90° Tab Header, see Page 51



Weitere Junior Timer- und Junior Power Timer-Gehäuse (Fortsetzung)

25polig – Junior Timer

Bestell-Nummern:

827249-1 ohne Zugentlastung
827249-2 mit Zugentlastung

Gehäuse für Junior Power Timer-Kontakte

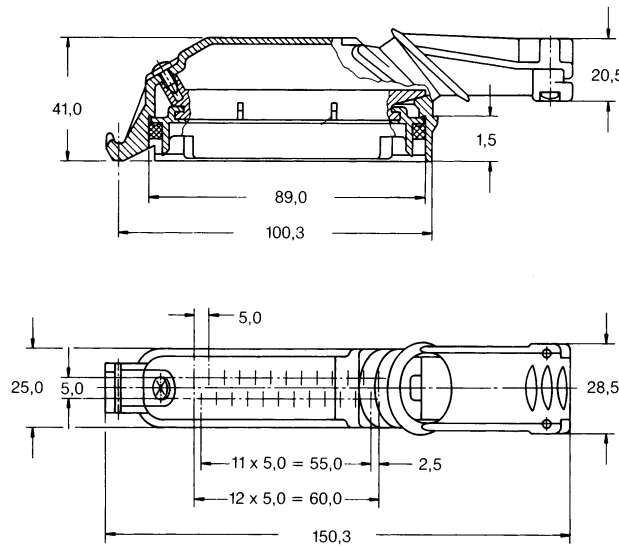
Best.-Nr. 963317-1

Passend zu:

Best.-Nr. 827050,
90°-Messerleiste, siehe Seite 51
Best.-Nr. 827019,
90°-Messerleiste, siehe Seite 51

Gedichtet

Sealed



Additional Junior Timer and Junior Power Timer Housings (continued)

25 Pos. – Junior Timer

Part Numbers:

827249-1 without Strain Relief
827249-2 with Strain Relief

Housing for Junior Power Timer Contacts

Part No. 963317-1

Mating with:

Part No. 827050,
90° Tab Header, see Page 51
Part No. 827019,
90° Tab Header, see Page 51

35polig – Junior Timer

Best.-Nr. 826000-1

Weitere Farben auf Anfrage.

Gehäuse für Junior Power Timer-Kontakte

Best.-Nr. 963318-1

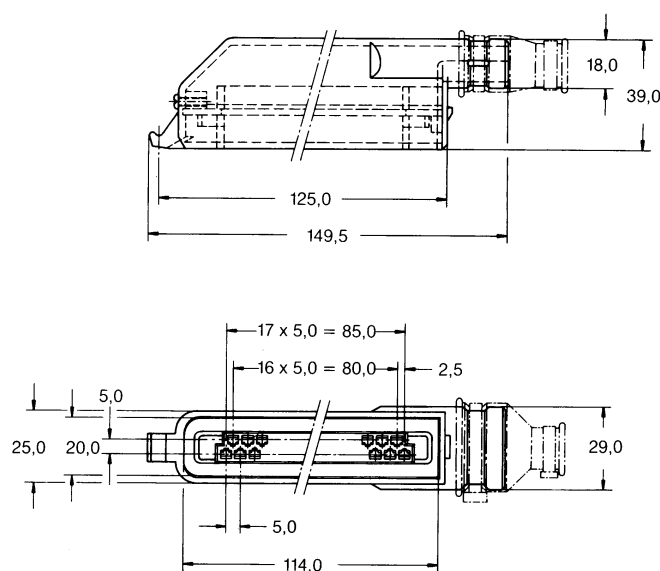
Weitere Farben auf Anfrage.

Passend zu:

Best.-Nr. 825213,
90°-Messerleiste, siehe Seite 53

Nicht wasserdicht

Non Water Resistant



35 Pos. – Junior Timer

Part No. 826000-1

Additional colors on request.

Housing for Junior Power Timer Contacts

Part No. 963318-1

Additional colors on request.

Mating with:

Part No. 825213,
90° Tab Header, see Page 53

Weitere Junior Timer- und Junior Power Timer- Gehäuse (Fortsetzung)

35polig – Junior Timer

Best.-Nr. **827663**

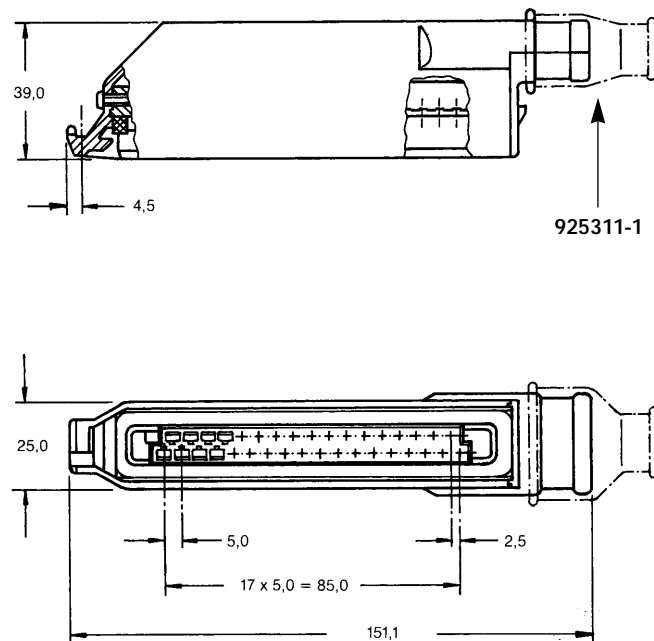
Passend zu:

Best.-Nr. **825213**,
90°-Messerleiste, siehe Seite 53

Best.-Nr. **925311-1** (Tülle),
muß separat bestellt werden.

Nicht wasserdicht

Non Water Resistant



Additional Junior Timer and Junior Power Timer Housings (continued)

35 Pos. – Junior Timer

Part No. **827663**

Mating with:

Part No. **825213**,
90° Tab Header, see Page 53

Part No. **925311-1** (Rubber Boot),
must be ordered separately.

Bestell-Nummern/Part Numbers

Komplett Assembly	Packungseinheit Packaging Unit	Griffschale Connector Housing	Packungseinheit Packaging Unit	Bemerkungen (Farbe) Remarks (Color)
827663-4	100	927558-1	100	Kodierung Nr. 16 (rot) / Code No. 16 (red)
827663-5	100	928556-1	100	Kodierung Nr. 5 (natur) / Code No. 5 (natural)
827663-6	100	928557-1	100	Kodierung Nr. 15 (schwarz) / Code No. 15 (black)

Alle Kodierungen siehe Tabellenzeichnungen **827663**, Blatt 3 von 3

All codings see tabular drawing **827663**, Sheet 3 of 3.

Weitere Junior Timer- und Junior Power Timer- Gehäuse (Fortsetzung)

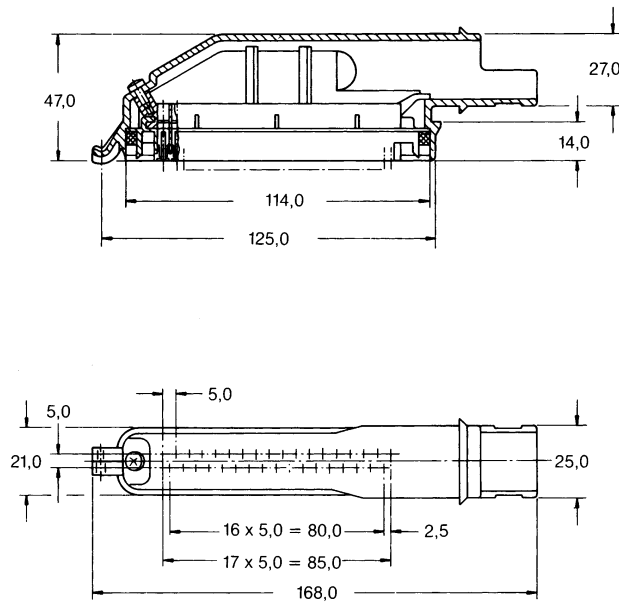
35polig – Junior Timer
mit rundem Kabelabgang

Passend zu:

Best.-Nr. **825213**,
90°-Messerleiste, siehe Seite 53

Gedichtet

Sealed



Additional Junior Timer and Junior Power Timer Housings (continued)

35 Pos. – Junior Timer
with Round Cable Exit

Mating with:

Part No. **825213**,
90° Tab Header, see Page 53

Bestell-Nummern/Part Numbers

Unterschied durch diverse Kodierungen
Difference in Various Codings

Komplett Assembly	Packungseinheit Packaging Unit	Griffschale Connector Housing	Packungseinheit Packaging Unit
963062-1	100	962076-1	100
963059-1	100	962073-1	100
828880-1	100	929644-1	100
1-827257-3	100	928612-1	100
1-827257-2	100	928611-1	100
1-827257-0	100	927538-1	100
1-827257-8	100	927391-1	100
827257-8	100	927391-1	100
1-827257-7	100	927391-1	100
827257-7	100	927391-1	100
827257-5	100	927229-1	100
827257-3	100	927120-1	100
827257-2	100	927118-1	100
827257-1	100	927060-1	100

Gummitüllen:
Best.-Nr. **826779**

Rubber Boot:
Part No. **826779**

Weitere Junior Timer- und Junior Power Timer-Gehäuse
(Fortsetzung)

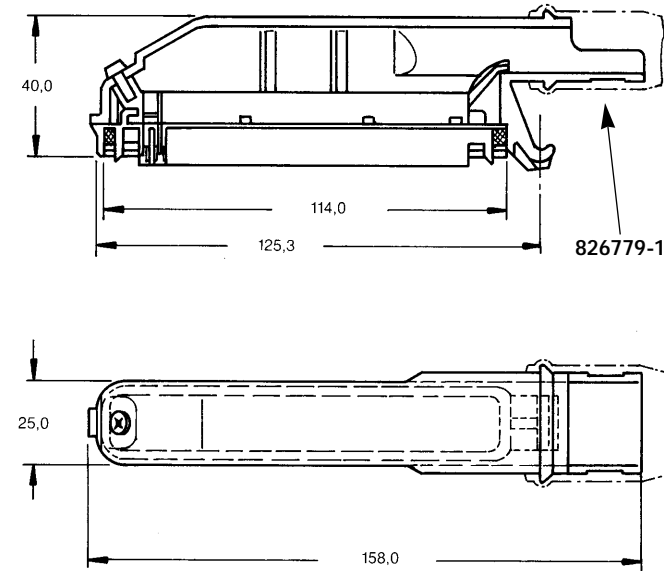
35polig – Junior Timer
Best.-Nr. **828632-1**

Passend zu:
Best.-Nr. **825213**,
90°-Messerleiste, siehe Seite 53

Best.-Nr. **826779-1** (Tülle),
muß separat bestellt werden.

Gedichtet

Sealed



Additional Junior Timer and Junior Power Timer Housings
(continued)

35 Pos. – Junior Timer
Part No. **828632-1**

Mating with:
Part No. **825213**,
90° Tab Header, see Page 53

Part No. **826779-1** (Rubber Boot),
must be ordered separately.

35polig

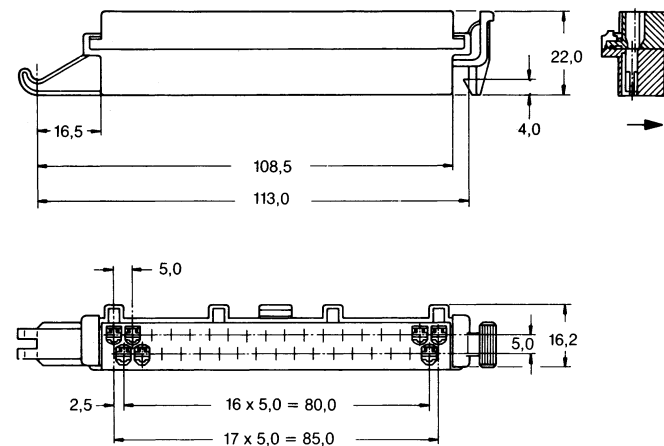
Junior Timer
Best.-Nr. **827667-1**

Junior Power Timer
Best.-Nr. **827667-2**

Passend zu:
Best.-Nr. **827137**,
90°-Messerleiste, siehe Seite 54

Ungedichtet

Unsealed



35 Pos.
Junior Timer
Part No. **827667-1**

Junior Power Timer
Part No. **827667-2**

Mating with:
Part No. **827137**,
90° Tab Header, see Page 54

**Weitere Junior Timer-,
Junior Power Timer-
und
Micro Timer-Gehäuse**

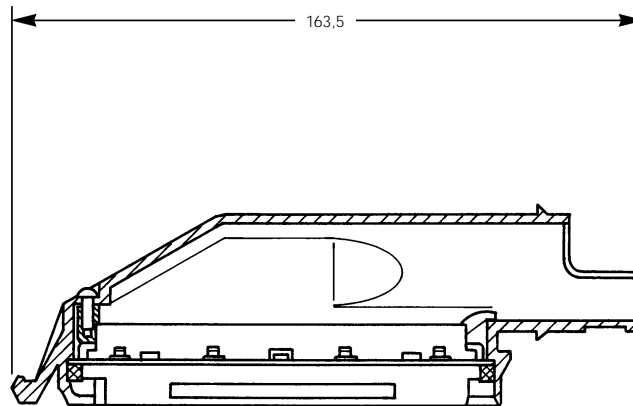
38polig – Junior Power Timer
Best.-Nr. **828808-1**

Passend zu:

Best.-Nr. **828989**,
90°-Messerleiste, siehe Seite 54

Gedichtet

Sealed



**Additional Junior Timer,
Junior Power Timer
and
Micro Timer Housings**

38 Pos. – Junior Power Timer
Part No. **828808-1**

Mating with:

Part No. **828989**,
90° Tab Header, see Page 54

39polig

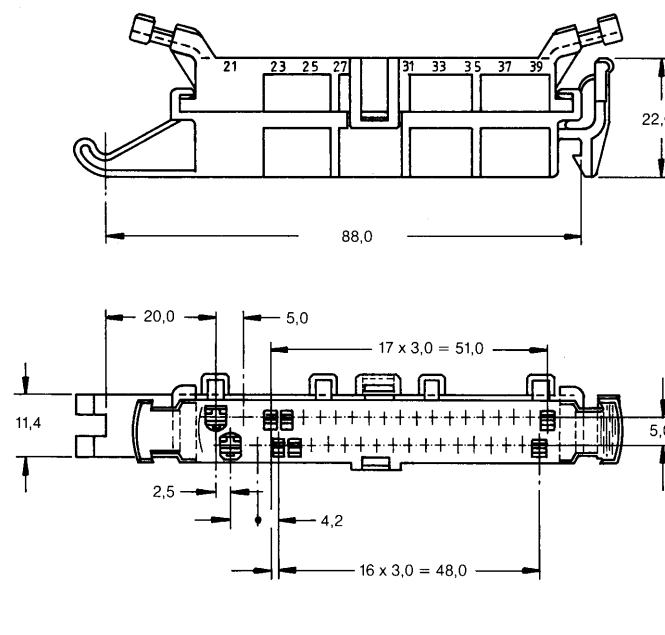
Best.-Nr. **828771-1**
(4 x Junior Power Timer,
35 x Micro Timer I)

Passend zu:

Best.-Nr. **828772**,
180°-Messerleiste, siehe Seite 55
Best.-Nr. **828773**,
90°-Messerleiste, siehe Seite 55

Ungedichtet

Unsealed



39 Pos.

Part No. **828771-1**
(4 x Junior Power Timer,
35 x Micro Timer I)

Mating with:

Part No. **828772**,
180° Tab Header, see Page 55
Part No. **828773**,
90° Tab Header, see Page 55

Weitere Junior Timer-, Junior Power Timer- und Micro Timer-Gehäuse (Fortsetzung)

55polig

Best.-Nr. **828761-1**

(8 x Junior Power Timer, 47 x Micro Timer I)

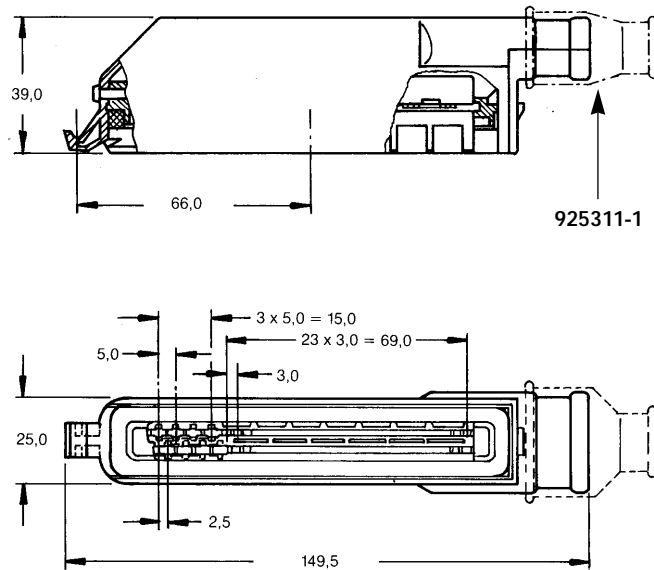
Passend zu:

Best.-Nr. **828763**,
90°-Messerleiste, siehe Seite 56

Best.-Nr. **925311-1** (Tülle),
muß separat bestellt werden.

Nicht wasserdicht

Non Water Resistant



Additional Junior Timer, Junior Power Timer and Micro Timer Housings (continued)

55 Pos.

Part No. **828761-1**

(8 x Junior Power Timer, 47 x Micro Timer I)

Mating with:

Part No. **828763**,
90° Tab Header, see Page 56

Part No. **925311-1** (Rubber Boot),
must be ordered separately.

55polig – Junior Power Timer

Best.-Nr. **963534**

Kodierung 8:

Best.-Nr. **963534-1**

Kodierung 12:

Best.-Nr. **1-963534-1**

Weitere Kodierungen auf Anfrage.

Passend zu:

Best.-Nr. **142723-2**,
90°-Messerleiste, siehe Seite 56

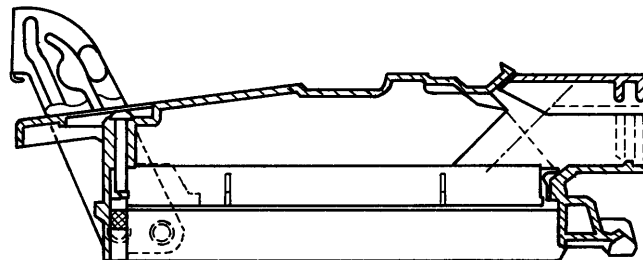
Best.-Nr. **142719-2**,
90°-Messerleiste, siehe Seite 56

Best.-Nr. **963063**,
90°-Messerleiste, siehe Seite 56

Tüllen nicht von AMP.

Gedichtet

Sealed



55 Pos. – Junior Power Timer

Part No. **963534**

Coding 8:

Part No. **963534-1**

Coding 12:

Part No. **1-963534-1**

Further keyings on request.

Mating with:

Part No. **142723-2**,
90° Tab Header, see Page 56

Part No. **142719-2**,
90° Tab Header, see Page 56

Part No. **963063**,
90° Tab Header, see Page 56

Rubber Boots not from AMP.

55polig – Junior Power Timer

Best.-Nr. **963684**

Kodierung 8:

Best.-Nr. **963684-1**

Kodierung 12:

Best.-Nr. **1-963684-1**

Weitere Kodierungen auf Anfrage.

Passend zu:

Best.-Nr. **142723-2**,
90°-Messerleiste, siehe Seite 56

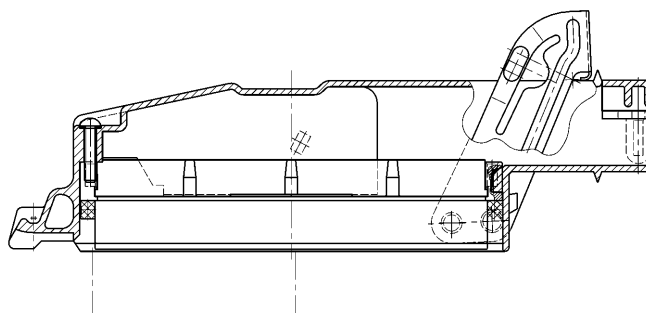
Best.-Nr. **142719-2**,
90°-Messerleiste, siehe Seite 56

Best.-Nr. **963063**,
90°-Messerleiste, siehe Seite 56

Tüllen nicht von AMP.

Gedichtet

Sealed



55 Pos. – Junior Power Timer

Part No. **963684**

Coding 8:

Part No. **963684-1**

Coding 12:

Part No. **1-963684-1**

Further keyings on request.

Mating with:

Part No. **142723-2**,
90° Tab Header, see Page 56

Part No. **142719-2**,
90° Tab Header, see Page 56

Part No. **963063**,
90° Tab Header, see Page 56

Rubber Boots not from AMP.

Messerleisten,**Zweireihig****12polig**Best.-Nr. **827229-1**

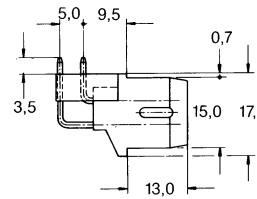
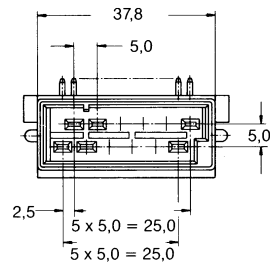
CuZn, verzinkt (schwarz)

Best.-Nr. **827229-2**

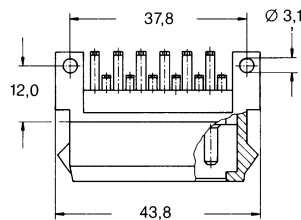
CuZn, versilbert (schwarz)

Best.-Nr. **827229-4**

CuZn, verzinkt (braun)

**Passend zu Gehäuse:**Best.-Nr. **827603**,

siehe Seite 39, ungedichtet

**Tab Header,****Double Row****12 Positions**Part No. **827229-1**

Brass, tin plated (black)

Part No. **827229-2**

Brass, silver plated (black)

Part No. **827229-4**

Brass, tin plated (brown)

Mating with Housing:Part No. **827603**,

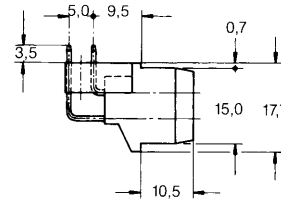
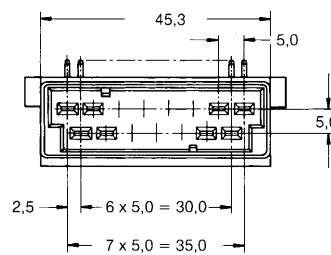
see Page 39, Unsealed

15polig (90°)Best.-Nr. **826703-1**

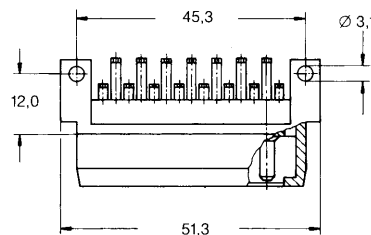
CuZn, verzinkt (schwarz)

Best.-Nr. **826703-2**

CuZn, versilbert (schwarz)

**Passend zu Gehäuse:**Best.-Nr. **926171**,

siehe Seite 39, ungedichtet

**15 Positions (90°)**Part No. **826703-1**

Brass, tin plated (black)

Part No. **826703-2**

Brass, silver plated (black)

Mating with Housing:Part No. **926171**,

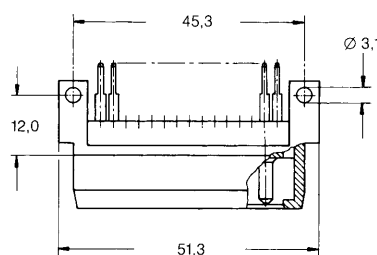
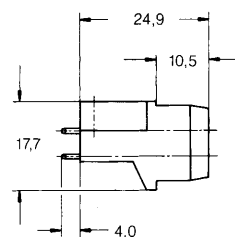
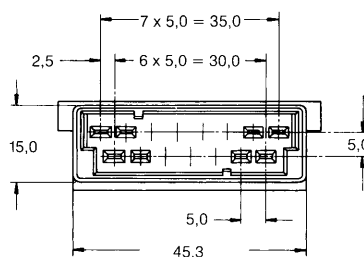
see Page 39, Unsealed

15polig (180°)Best.-Nr. **827467-1**

CuZn, verzinkt (schwarz)

Passend zu Gehäuse:Best.-Nr. **926171**,

siehe Seite 39, ungedichtet

**15 Positions (180°)**Part No. **827467-1**

Brass, tin plated (black)

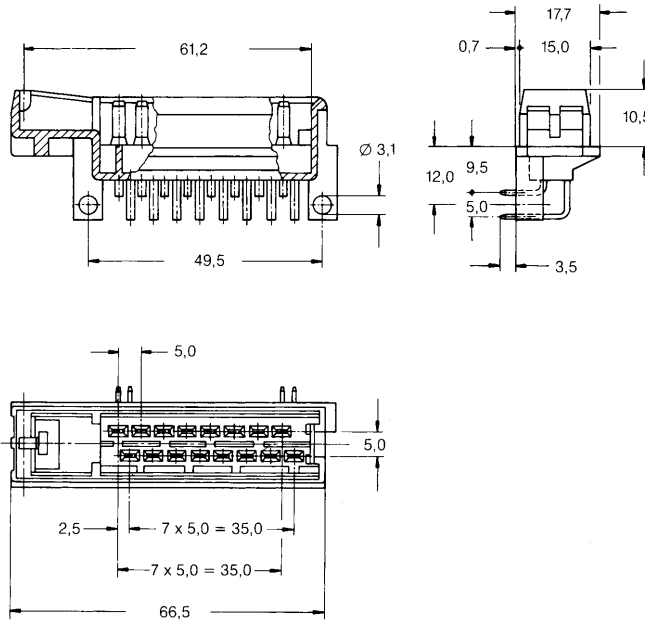
Mating with Housing:Part No. **926171**,

see Page 39, Unsealed

**Messerleisten,
Zweireihig
(Fortsetzung)**

16polig (90°)
Best.-Nr. **827539-1**

Passend zu Gehäuse:
Best.-Nr. **827584**,
siehe Seite 39, ungedichtet



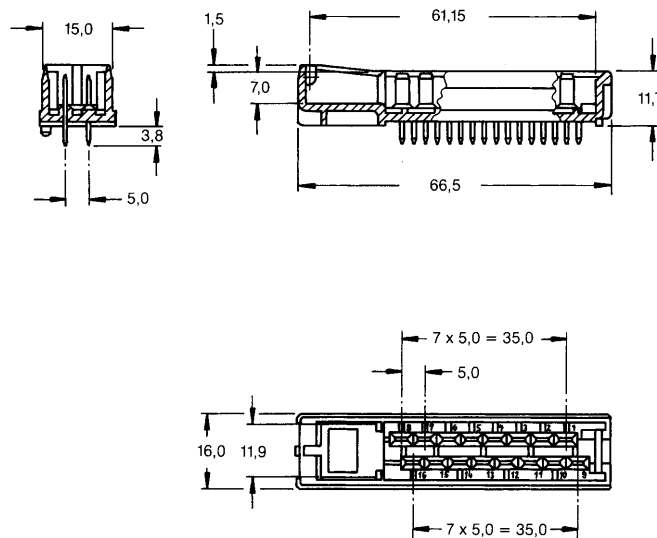
**Tab Header,
Double Row
(continued)**

16 Positions (90°)
Part No. **827539-1**

Mating with Housing:
Part No. **827584**,
see Page 39, Unsealed

16polig (180°)
Best.-Nr. **828662-1**

Passend zu Gehäuse:
Best.-Nr. **827584**,
siehe Seite 39, ungedichtet



16 Positions (180°)
Part No. **828662-1**

Mating with Housing:
Part No. **827584**,
see Page 39, Unsealed

Messerleisten, Zweireihig (Fortsetzung)

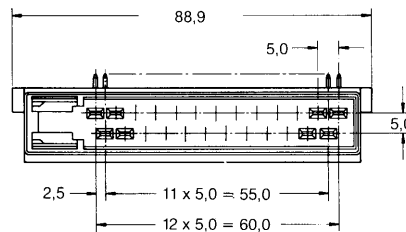
25polig (90°)

Best.-Nr. **826140-1**
CuZn, verzinkt (schwarz)
Best.-Nr. **826140-2**
CuZn, verzinkt (gelb)
Best.-Nr. **826140-5**
CuZn, versilbert (schwarz)
Kodierung rechts

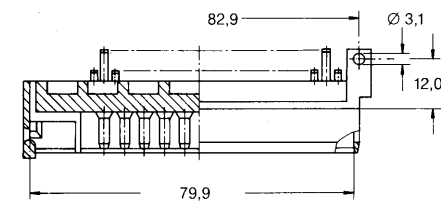
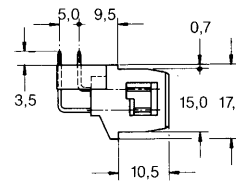
Passend zu Gehäuse:

Best.-Nr. **925470**, siehe Seite 40

Ungedichtet



Unsealed



Tab Header, Double Row (continued)

25 Positions (90°)

Part No. **826140-1**
Brass, tin plated (black)
Part No. **826140-2**
Brass, tin plated (yellow)
Part No. **826140-5**
Brass, silver plated (black)
Keying right

Mating with Housing:

Part No. **925470**, see Page 40

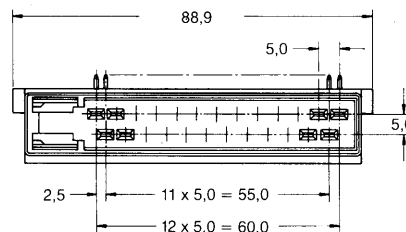
25polig (90°)

Best.-Nr. **826141-1**
CuZn, verzinkt (schwarz)
Best.-Nr. **826141-2**
CuZn, verzinkt (gelb)
Best.-Nr. **826141-3**
CuZn, versilbert (schwarz)
Kodierung links

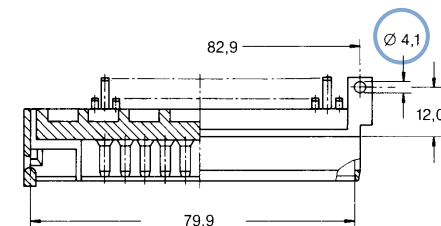
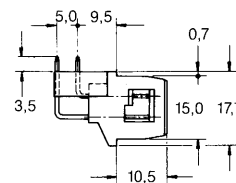
Passend zu Gehäuse:

Best.-Nr. **925471**, siehe Seite 40

Ungedichtet



Unsealed



25 Positions (90°)

Part No. **826141-1**
Brass, tin plated (black)
Part No. **826141-2**
Brass, tin plated (yellow)
Part No. **826141-3**
Brass, silver plated (black)
Keying left

Mating with Housing:

Part No. **925471**, see Page 40

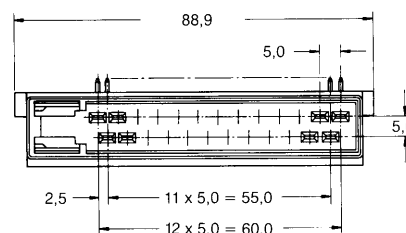
25polig (90°)

Best.-Nr. **826195-1**
CuZn, verzinkt (schwarz),
Kodierung links

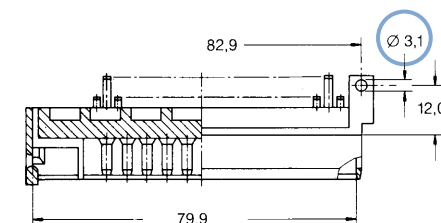
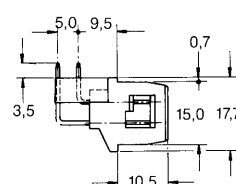
Passend zu Gehäuse:

Best.-Nr. **925471**, siehe Seite 40

Ungedichtet



Unsealed



25 Positions (90°)

Part No. **826195-1**
Brass, tin plated (black),
Keying left

Mating with Housing:

Part No. **925471**, see Page 40

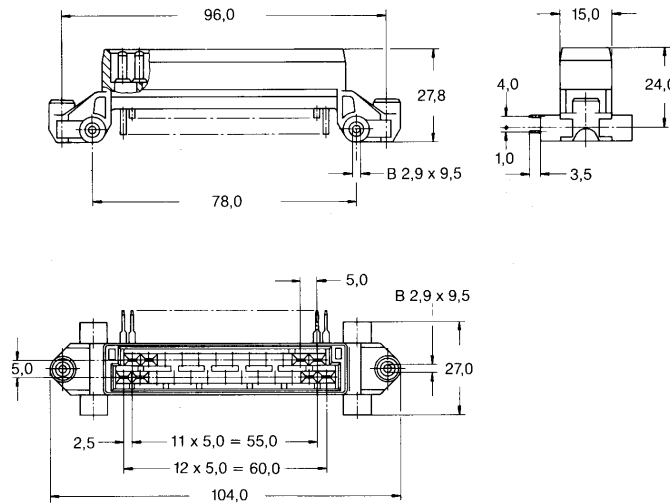
Messerleisten, Zweireihig (Fortsetzung)

25polig (90°, links)

Best.-Nr. **827050-1**
CuZn, verzinkt (schwarz)

Passend zu Gehäuse:

Best.-Nr. **827249**, siehe Seite 42
Best.-Nr. **963317**, siehe Seite 42
Best.-Nr. **963325**, siehe Seite 41
Best.-Nr. **281810**, siehe Seite 64



Tab Header, Double Row (continued)

25 Positions (90°, Left)

Part No. **827050-1**
Brass, tin plated (black)

Mating with Housing:

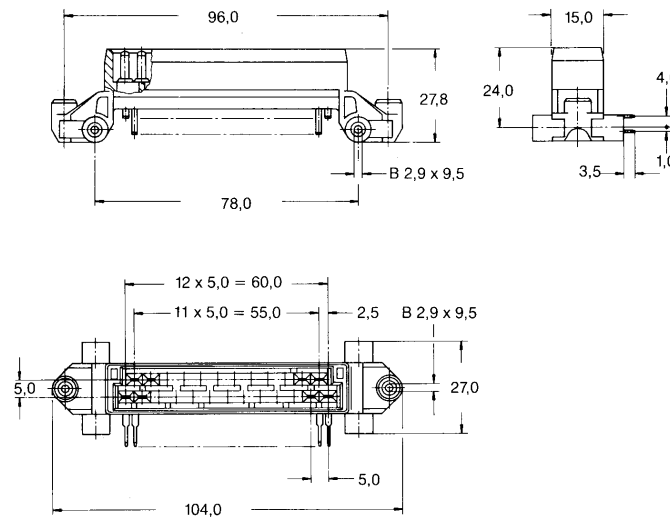
Part No. **827249**, see Page 42
Part No. **963317**, see Page 42
Part No. **963325**, see Page 41
Part No. **281810**, see Page 64

25polig (90°, rechts)

Best.-Nr. **827019-1**
CuZn, verzinkt (schwarz)

Passend zu Gehäuse:

Best.-Nr. **827249**, siehe Seite 42
Best.-Nr. **963317**, siehe Seite 42
Best.-Nr. **963325**, siehe Seite 41
Best.-Nr. **281810**, siehe Seite 64



25 Positions (90°, Right)

Part No. **827019-1**
Brass, tin plated (black)

Mating with Housing:

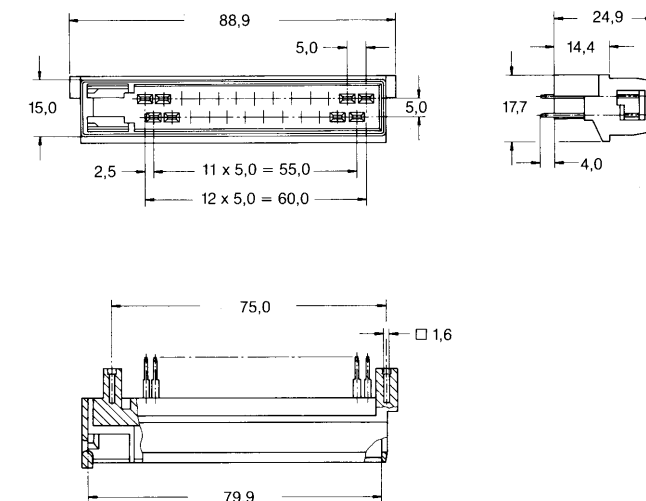
Part No. **827249**, see Page 42
Part No. **963317**, see Page 42
Part No. **963325**, see Page 41
Part No. **281810**, see Page 64

25polig (180°)

Best.-Nr. **827468-1**
CuZn, verzinkt (schwarz)

Passend zu Gehäuse:

Best.-Nr. **925470**, siehe Seite 40



25 Positions (180°)

Part No. **827468-1**
Brass, tin plated (black)

Mating with Housing:

Part No. **925470**, see Page 40

Messerleisten, Zweireihig (Fortsetzung)

25polig (90°)

Best.-Nr. **827535-1**

CuZn, verzinkt (schwarz)

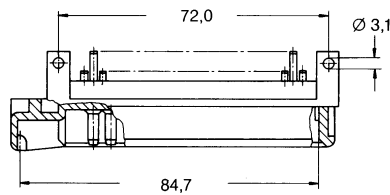
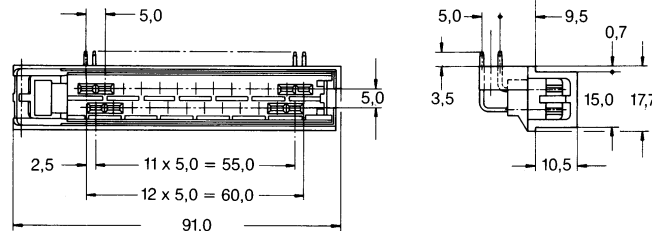
Best.-Nr. **827535-3**

CuZn, vorverzinkt (schwarz)

Passend zu Gehäuse:

Best.-Nr. **827534**, siehe Seite 40

Weitere Kodierungen und
Oberflächen auf Anfrage.



Tab Header, Double Row (continued)

25 Positions (90°)

Part No. **827535-1**

Brass, tin plated (black)

Part No. **827535-3**

Brass, pre-tin plated (black)

Mating with Housing:

Part No. **827534**, see Page 40

Additional Keyings and Finishes
on request.

25polig (90°)

Best.-Nr. **828661-1**

CuZn, verzinkt (schwarz)

Passend zu Gehäuse:

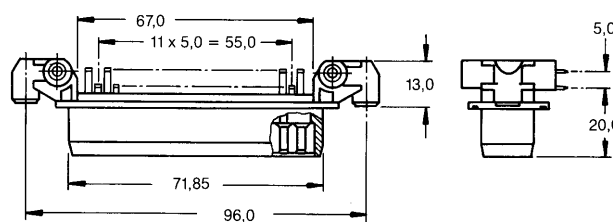
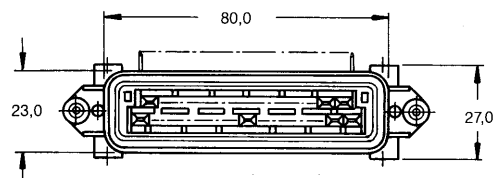
Best.-Nr. **827249**, siehe Seite 42

Best.-Nr. **963317**, siehe Seite 42

Best.-Nr. **963325**, siehe Seite 41

Best.-Nr. **281810**, siehe Seite 64

Weitere Kodierungen und
Oberflächen auf Anfrage.



25 Positions (90°)

Part No. **828661-1**

Brass, tin plated (black)

Mating with Housing:

Part No. **827249**, see Page 42

Part No. **963317**, see Page 42

Part No. **963325**, see Page 41

Part No. **281810**, see Page 64

Additional Keyings and Finishes
on request.

Messerleisten, Zweireihig (Fortsetzung)

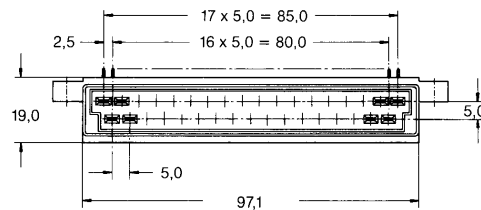
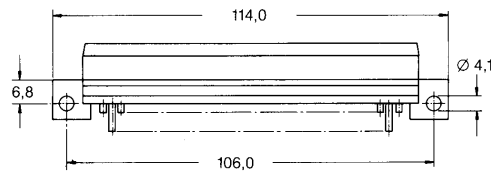
35polig (90°)

Best.-Nr. **825213-1**
CuZn, verzinkt (schwarz)

Passend zu Gehäuse:

Best.-Nr. **826000**, siehe Seite 42
Best.-Nr. **963318**, siehe Seite 42
Best.-Nr. **827663**, siehe Seite 43
Best.-Nr. **827257**, siehe Seite 44
Best.-Nr. **828632**, siehe Seite 45
Best.-Nr. **282195**, siehe Seite 65
Best.-Nr. **282197**, siehe Seite 65

Weitere Oberflächen auf Anfrage.



Tab Header, Double Row (continued)

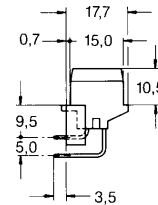
35 Positions (90°)

Part No. **825213-1**
Brass, tin plated (black)

Mating with Housing:

Part No. **826000**, see Page 42
Part No. **963318**, see Page 42
Part No. **827663**, see Page 43
Part No. **827257**, see Page 44
Part No. **828632**, see Page 45
Part No. **282195**, see Page 65
Part No. **282197**, see Page 65

Additional Finishes on request.



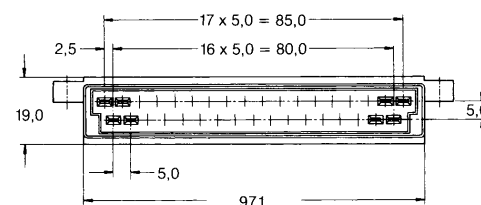
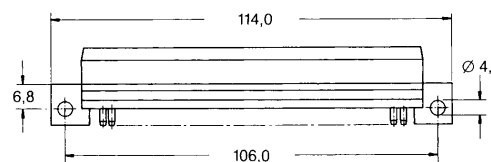
35polig (180°)

Best.-Nr. **827254-1**
CuZn, verzinkt (schwarz)

Passend zu Gehäuse:

Best.-Nr. **826000**, siehe Seite 42
Best.-Nr. **963318**, siehe Seite 42
Best.-Nr. **827663**, siehe Seite 43
Best.-Nr. **827257**, siehe Seite 44
Best.-Nr. **828632**, siehe Seite 45
Best.-Nr. **282195**, siehe Seite 65
Best.-Nr. **282197**, siehe Seite 65

Weitere Oberflächen auf Anfrage.



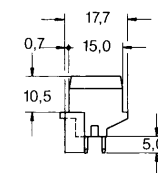
35 Positions (180°)

Part No. **827254-1**
Brass, tin plated (black)

Mating with Housing:

Part No. **826000**, see Page 42
Part No. **963318**, see Page 42
Part No. **827663**, see Page 43
Part No. **827257**, see Page 44
Part No. **828632**, see Page 45
Part No. **282195**, see Page 65
Part No. **282197**, see Page 65

Additional Finishes on request.

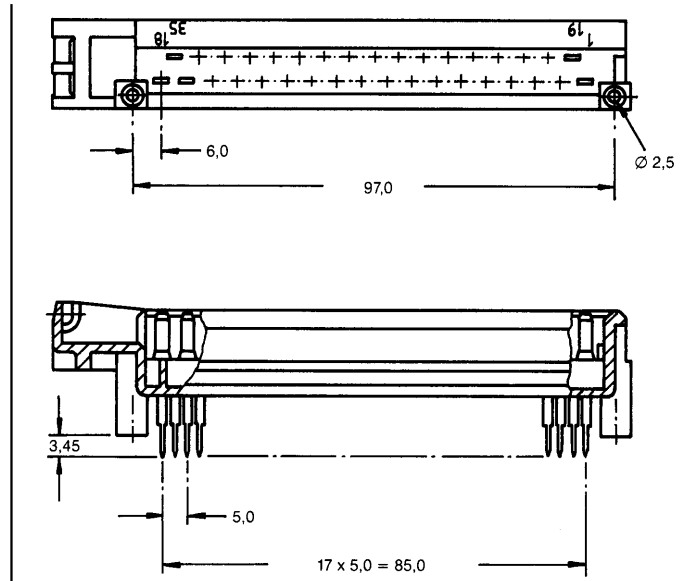


**Messerleisten,
Zweireihig
(Fortsetzung)**

35polig (180°)

Best.-Nr. **827439-1**
CuZn, verzinkt (schwarz)

Passend zu Gehäuse:
Best.-Nr. **827667**, siehe Seite 45



**Tab Header,
Double Row
(continued)**

35 Positions (180°)

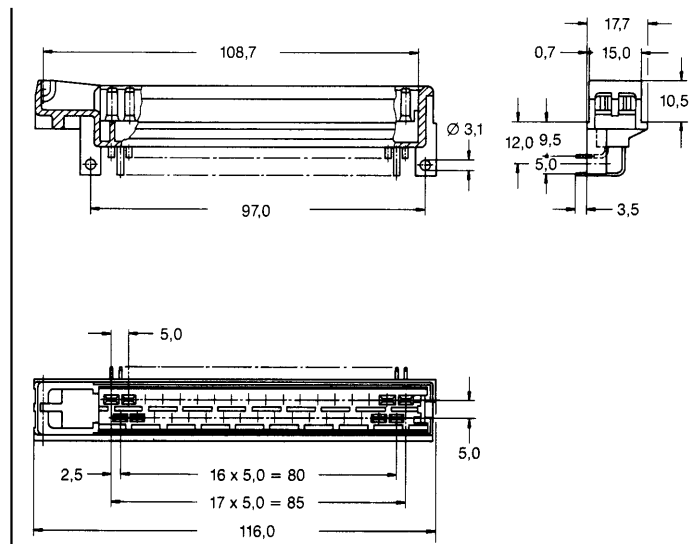
Part No. **827439-1**
Brass, tin plated (black)

Mating with Housing:
Part No. **827667**, see Page 45

35polig (90°)

Best.-Nr. **827137-1**
CuZn, verzinkt (schwarz)

Passend zu Gehäuse:
Best.-Nr. **827667**, siehe Seite 45



35 Positions (90°)

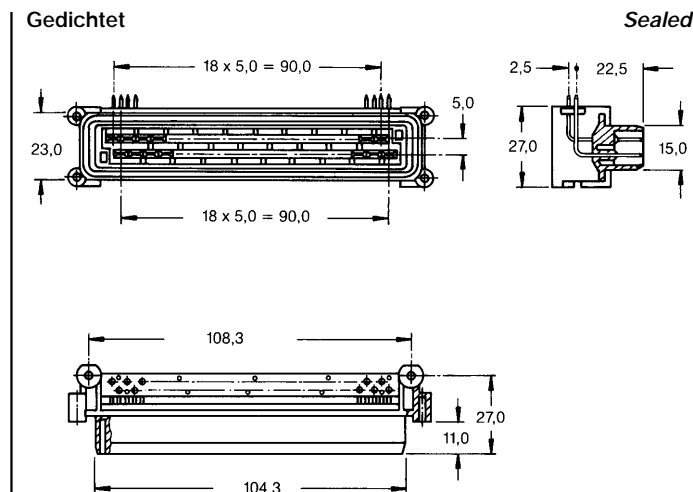
Part No. **827137-1**
Brass, tin plated (black)

Mating with Housing:
Part No. **827667**, see Page 45

38polig (90°)

Best.-Nr. **828989-1**
CuZn, verzinkt (schwarz)

Passend zu Gehäuse:
Best.-Nr. **828808**, siehe Seite 46



38 Positions (90°)

Part No. **828989-1**
Brass, tin plated (black)

Mating with Housing:
Part No. **828808**, see Page 46

Messerleisten, Zweireihig (Fortsetzung)

Ungedichtete Version

Bestückt mit: 4 x 2,8 mm Messerkontakten und
35 x 1,6 mm Messerkontakten

39polig (90°)

Best.-Nr. **828773-1**
CuZn, verzinkt

Best.-Nr. **828773-2**
CuSn, verzinkt

Passend zu Gehäuse:

Best.-Nr. **828771**, siehe Seite 46

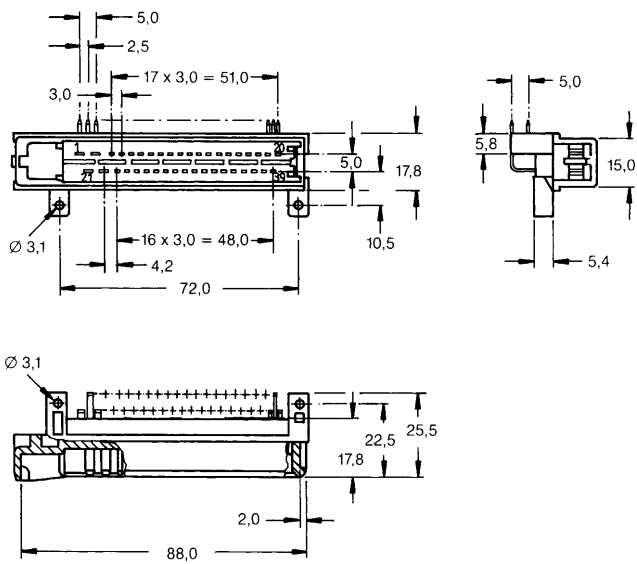
39 Positions (90°)

Part No. **828773-1**
Brass, tin plated

Part No. **828773-2**
Phosphor bronze, tin plated

Mating with Housing:

Part No. **828771**, see Page 46



Tab Header, Double Row (continued)

Unsealed Version

Loaded with: 4 x 2,8 mm Tab Contacts and
35 x 1,6 mm Tab Contacts

39polig (90°)

Best.-Nr. **963578-1**
CuZn, verzinkt

Best.-Nr. **963578-2**
CuSn, verzinkt

Passend zu Gehäuse:

Best.-Nr. **828771**, siehe Seite 46

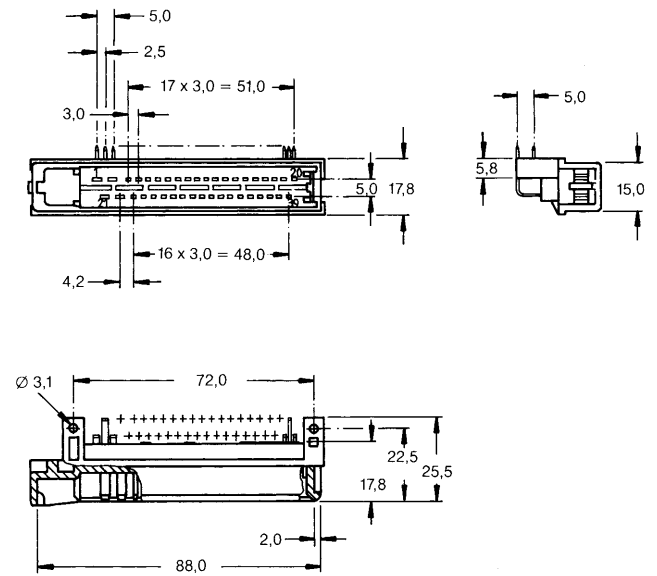
39 Positions (90°)

Part No. **963578-1**
Brass, tin plated

Part No. **963578-2**
Phosphor bronze, tin plated

Mating with Housing:

Part No. **828771**, see Page 46



39polig (180°)

Best.-Nr. **828772-2**
CuSn, verzinkt

Passend zu Gehäuse:

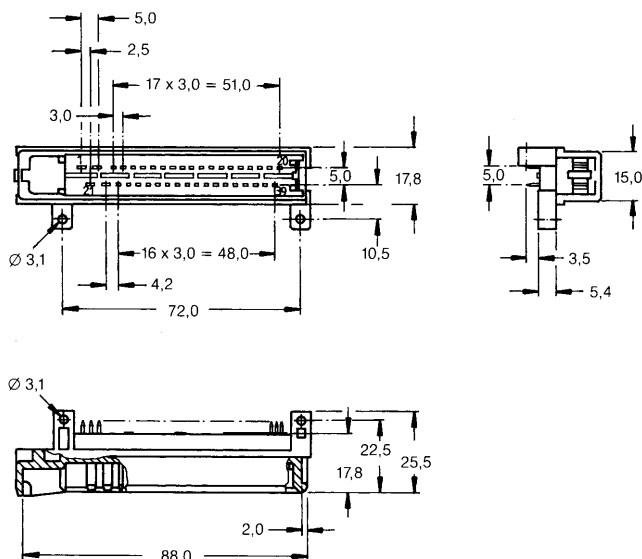
Best.-Nr. **828771**, siehe Seite 46

39 Positions (180°)

Part No. **828772-2**
Phosphor bronze, tin plated

Mating with Housing:

Part No. **828771**, see Page 46



39polig (180°)

Best.-Nr. **963574-1**
CuZn, verzinkt

Passend zu Gehäuse:

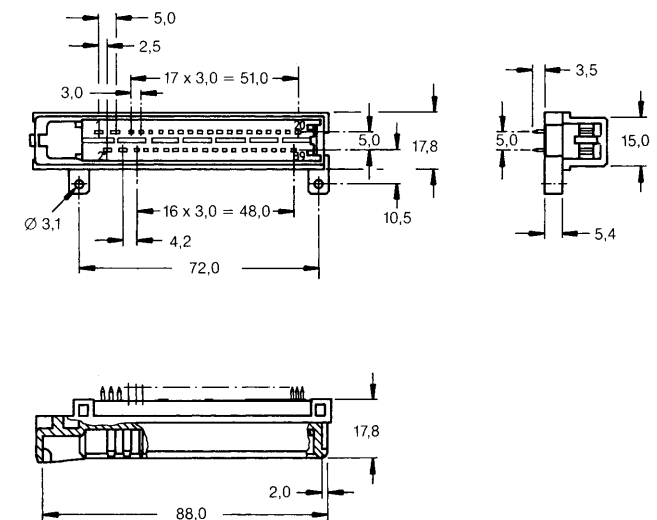
Best.-Nr. **828771**, siehe Seite 46

39 Positions (180°)

Part No. **963574-1**
Brass, tin plated

Mating with Housing:

Part No. **828771**, see Page 46



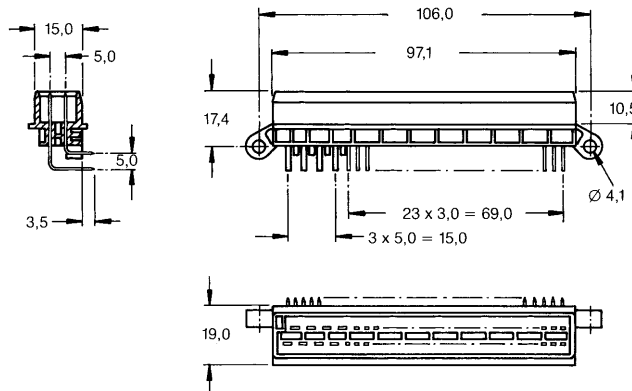
Messerleisten, Zweireihig und Dreireihig

55polig (90°)

Best.-Nr. 828763-1

Passend zu Gehäuse:

Best.-Nr. 828761, siehe Seite 47



Male Connectors, Double Row and Triple Row

55 Positions (90°)

Part No. 828763-1

Mating with Housing:

Part No. 828761, see Page 47

55polig (90°)

Kodierung 8:

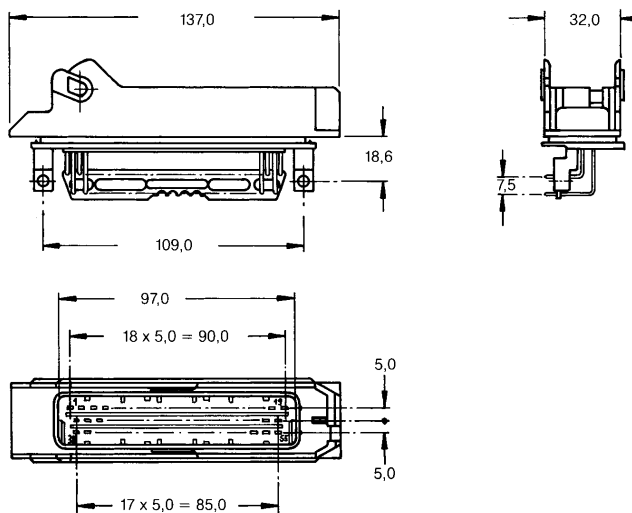
Best.-Nr. 963063-1

Kodierung 7:

Best.-Nr. 963063-2

Passend zu Gehäuse:

Best.-Nr. 963534, siehe Seite 47



55 Positions (90°)

Coding 8:

Part No. 963063-1

Coding 7:

Part No. 963063-2

Mating with Housing:

Part No. 963534, see Page 47

55polig (90°)

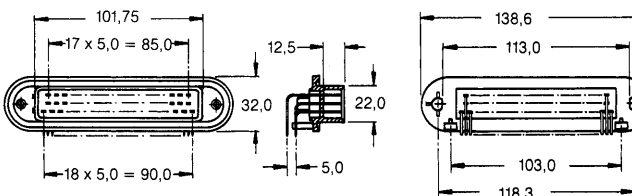
Best.-Nr. 142723-2

Rahmen:

Best.-Nr. 142719-2

Passend zu Gehäuse:

Best.-Nr. 963534, siehe Seite 47



55 Positions (90°)

Part No. 142723-2

Frame:

Part No. 142719-2

Mating with Housing:

Part No. 963534, see Page 47

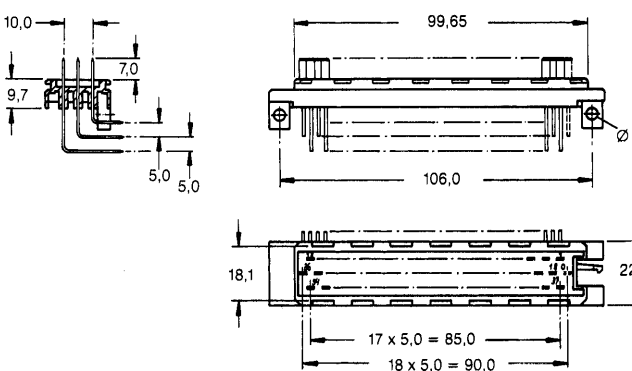
55polig (90°)

Best.-Nr. 963042-2

Siehe Zeichnung 87-9435-16

Passend zu Gehäuse:

Best.-Nr. 963041, siehe Seite 66



55 Positions (90°)

Part No. 963042-2

See Drawing 87-9435-16

Mating with Housing:

Part No. 963041, see Page 66

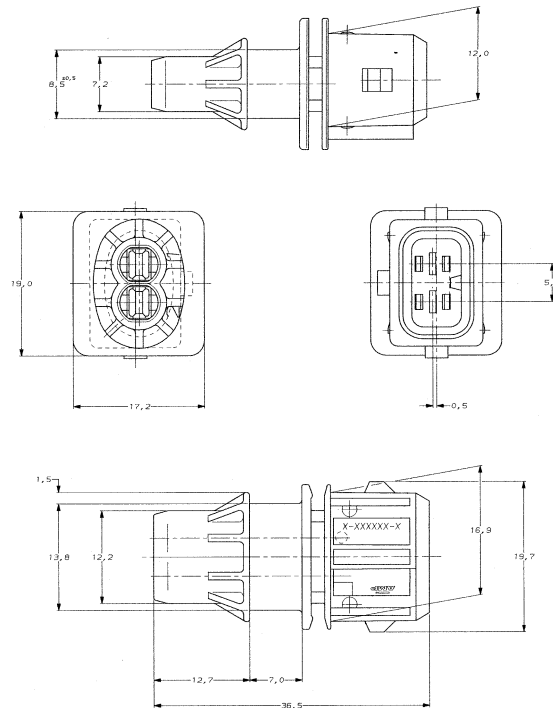
Gehäuse für Junior Power Timer-Kontakte, Länge 21,0 mm (Seite 13), auf Basis Einzelleiter-Dichtungs-System für Aggregat-Anschluß

2poliges Flachsteckergehäuse

Best.-Nr. **106462-1**

Passend zu:

Best.-Nr. **963040**, siehe Seite 56
 Best.-Nr. **282189**, siehe Seite 56
 Best.-Nr. **282762**, siehe Seite 56
 Best.-Nr. **282190**, siehe Seite 57
 Best.-Nr. **825551**, siehe Seite 33
 Best.-Nr. **826008**, siehe Seite 32
 Best.-Nr. **825414**, siehe Seite 33
 Best.-Nr. **828657**, siehe Seite 33



Housing for Junior Power Timer Contacts, 21.0 mm Length (Page 13), Based on Single Wire Sealing System for Aggregate Application

2 Positions Tab Housing

Part No. **106462-1**

Mating with:

Part No. **963040**, see Page 56
 Part No. **282189**, see Page 56
 Part No. **282762**, see Page 56
 Part No. **282190**, see Page 57
 Part No. **825551**, see Page 33
 Part No. **826008**, see Page 32
 Part No. **825414**, see Page 33
 Part No. **828657**, see Page 33

Polzahl No. of Positions	Leiterquerschnittsbereich Wire Size Range (mm ²)	Bestell-Nummern/Part Numbers			
		Flachstecker-Gehäuse Tab Housing	Gedichtete Kontakte Sealed Contacts	Einzeldichtung Single Wire Seal	Ungedichtete Kontakte Unsealed Contacts
2	0,5-1,0	106462-1	962915	828904	962841
	1,0-2,5	106462-1	962916	828905	962842

Gedichtete und Ungedichtete Kontakte: siehe Seite 15

Sealed and Unsealed Contacts: see Page 15

Gehäuse für Junior Power Timer-Kontakte, Länge 21,0 mm (Seite 13), auf Basis Einzelleiter-Dichtungs-System für Aggregat-Anschluß (Fortsetzung)

2polig

Best.-Nr. **282762-1** (schwarz)
 Best.-Nr. **282762-2** (grau)
 Best.-Nr. **282762-3** (natur)
 Best.-Nr. **282762-4** (grün)
 Best.-Nr. **282762-5** (blau)
 Best.-Nr. **282762-6** (braun)
 Best.-Nr. **282762-7** (gelb)
 Best.-Nr. **282762-8** (rot)

Entriegelung mit Hilfsmittel.

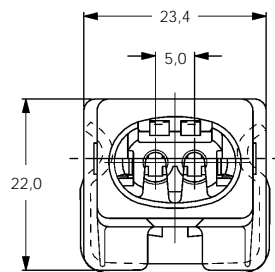
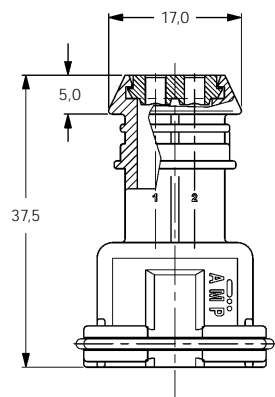
Passend zu Gehäuse:

Best.-Nr. **106462**, siehe Seite 57

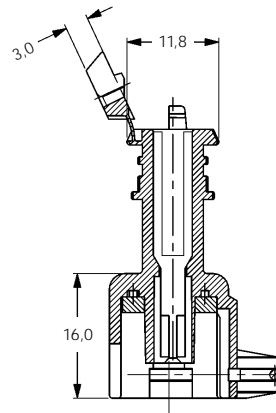
Produkt-Spezifikation:

108-20091

Typ A



Type A



Housing for Junior Power Timer Contacts, 21.0 mm Length (Page 13), Based on Single Wire Sealing System for Aggregate Application (continued)

2 Positions

Part No. **282762-1** (black)
 Part No. **282762-2** (grey)
 Part No. **282762-3** (natural)
 Part No. **282762-4** (green)
 Part No. **282762-5** (blue)
 Part No. **282762-6** (brown)
 Part No. **282762-7** (yellow)
 Part No. **282762-8** (red)

Release with Auxiliary Tool.

Mating with Housing:

Part No. **106462**, see Page 57

Product Specification:

108-20091

2polig

Best.-Nr. **282190-1** (schwarz)
 Best.-Nr. **282190-2** (grau)

Entriegelung mit Hilfsmittel.

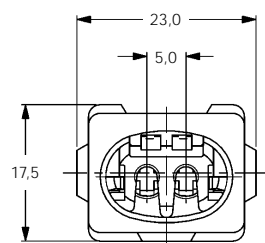
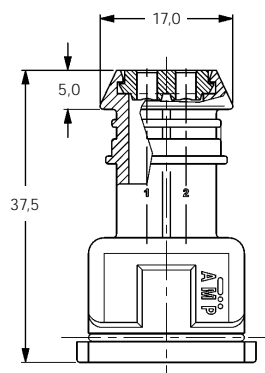
Passend zu Gehäuse:

Best.-Nr. **106462**, siehe Seite 57

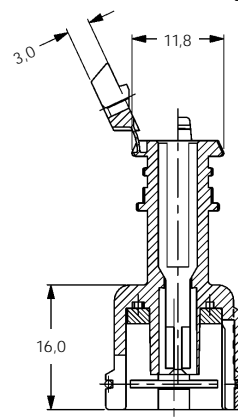
Produkt-Spezifikation:

108-20091

Typ A



Type A



2 Positions

Part No. **282190-1** (black)
 Part No. **282190-2** (grey)

Release with Auxiliary Tool.

Mating with Housing:

Part No. **106462**, see Page 57

Product Specification:

108-20091

Gehäuse für Junior Power Timer-Kontakte, Länge 21,0 mm (Seite 13), auf Basis Einzelleiter-Dichtungs-System für Aggregat-Anschluß (Fortsetzung)

2polig

Best.-Nr. **282189-1** (schwarz)
 Best.-Nr. **282189-2** (grau)
 Best.-Nr. **282189-3** (natur)
 Best.-Nr. **282189-4** (grün)
 Best.-Nr. **282189-5** (blau)
 Best.-Nr. **282189-6** (braun)
 Best.-Nr. **282189-7** (gelb)
 Best.-Nr. **282189-8** (rot)

Manuelle Entriegelung.

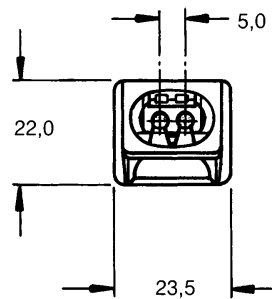
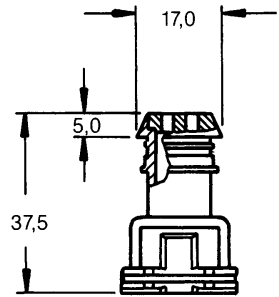
Passend zu Gehäuse:

Best.-Nr. **106462**, siehe Seite 57

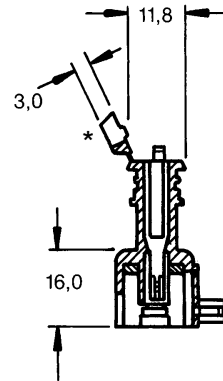
Produkt-Spezifikation:

108-20091

Typ B



Type B



* mit zweitem Kontakt-sicherungsdeckel
 * with second contact safety cover

Housing for Junior Power Timer Contacts, 21.0 mm Length (Page 13), Based on Single Wire Sealing System for Aggregate Application (continued)

2 Positions

Part No. **282189-1** (black)
 Part No. **282189-2** (grey)
 Part No. **282189-3** (natural)
 Part No. **282189-4** (green)
 Part No. **282189-5** (blue)
 Part No. **282189-6** (brown)
 Part No. **282189-7** (yellow)
 Part No. **282189-8** (red)

Manual Release.

Mating with Housing:

Part No. **106462**, see Page 57

Product Specification:

108-20091

2polig

Best.-Nr. **963040-1** (blau)
 Best.-Nr. **963040-2** (grau)
 Best.-Nr. **963040-3** (schwarz)
 Best.-Nr. **963040-4** (braun)

Manuelle Entriegelung.

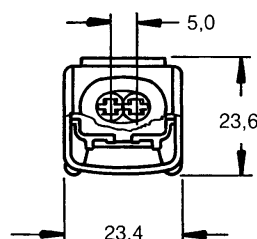
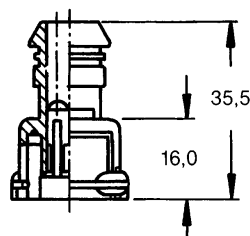
Passend zu Gehäuse:

Best.-Nr. **106462**, siehe Seite 57

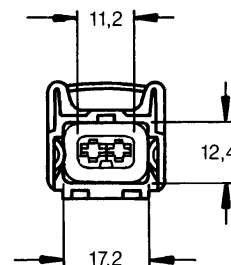
Produkt-Spezifikation:

108-20091

Typ C



Type C



2 Positions

Part No. **963040-1** (blue)
 Part No. **963040-2** (grey)
 Part No. **963040-3** (black)
 Part No. **963040-4** (brown)

Manual Release.

Mating with Housing:

Part No. **106462**, see Page 57

Product Specification:

108-20091

Gehäuse für Junior Power Timer-Kontakte, Länge 21,0 mm (Seite 13), auf Basis Einzelleiter-Dichtungs-System für Aggregat-Anschluß (Fortsetzung)

Housing for Junior Power Timer Contacts, 21.0 mm Length (Page 13), Based on Single Wire Sealing System for Aggregate Application (continued)

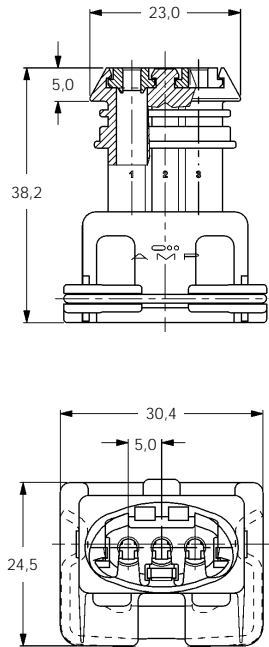
3polig

Best.-Nr. 282729-1 (schwarz)
Best.-Nr. 282729-2 (grau)

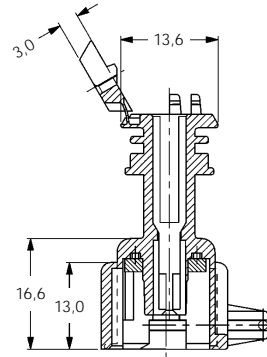
Entriegelung mit Hilfsmittel.

Produkt-Spezifikation:
108-20091

Typ B



Type B



3 Positions

Part No. 282729-1 (black)
Part No. 282729-2 (grey)

Release with Auxiliary Tool.

Product Specification:
108-20091

3polig

Best.-Nr. 282191-1 (schwarz)
Best.-Nr. 282191-2 (grau)

Manuelle Entriegelung.

Produkt-Spezifikation:
108-20091

3 Positions

Part No. 282191-1 (black)
Part No. 282191-2 (grey)

Manual Release.

Product Specification:
108-20091

3polig

(Spezial-Ausführung)
Best.-Nr. 282246-1

Manuelle Entriegelung.

Produkt-Spezifikation:
108-20091

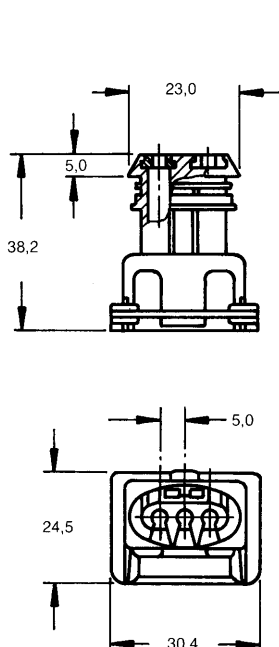
3 Positions

(Special Version)
Part No. 282246-1

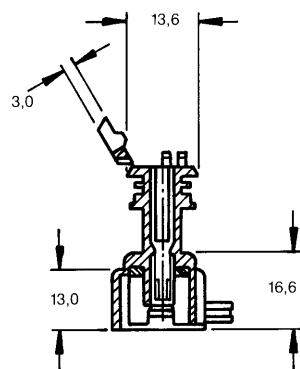
Manual Release.

Product Specification:
108-20091

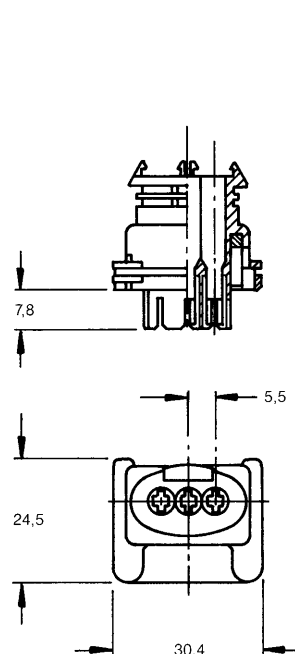
Typ C



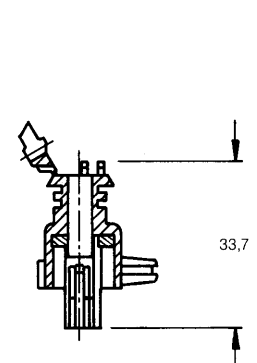
Type C



Typ C



Type C



Gehäuse für Junior Power Timer-Kontakte, Länge 21,0 mm (Seite 13), auf Basis Einzelleiter-Dichtungs-System für Aggregat-Anschluß (Fortsetzung)

Housing for Junior Power Timer Contacts, 21.0 mm Length (Page 13), Based on Single Wire Sealing System for Aggregate Application (continued)

4polig

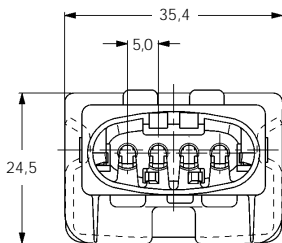
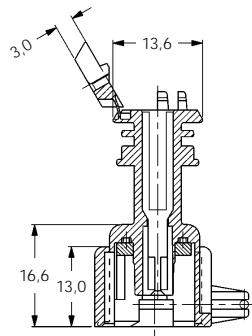
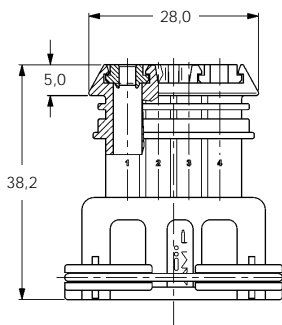
Best.-Nr. **282764-1** (schwarz)
Best.-Nr. **282764-2** (grau)

4 Positions

Part No. **282764-1** (black)
Part No. **282764-2** (grey)

Typ B

Type B



Entriegelung mit Hilfsmittel.
Produkt-Spezifikation:
108-20091

.....
Release with Auxiliary Tool.
Product Specification:
108-20091

4polig

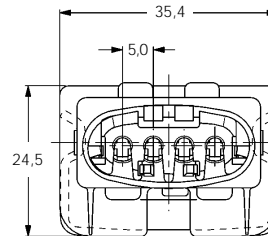
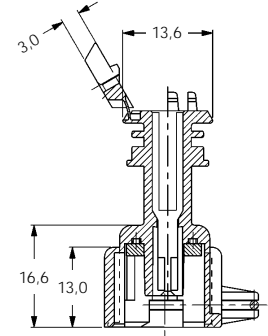
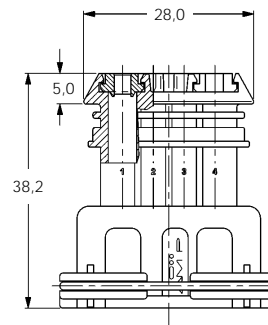
Best.-Nr. **282765-1**

3 Positions

Part No. **282765-1**

Typ B

Type B



Entriegelung mit Hilfsmittel.
Produkt-Spezifikation:
108-20091

.....
Release with Auxiliary Tool.
Product Specification:
108-20091

4polig

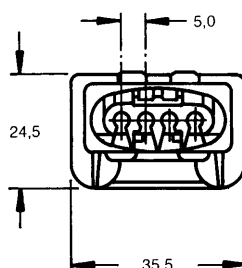
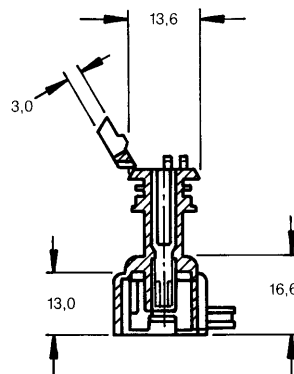
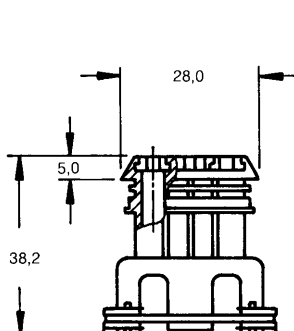
Best.-Nr. **282192-1** (schwarz)
Best.-Nr. **282192-2** (grau)

4 Positions

Part No. **282192-1** (black)
Part No. **282192-2** (grey)

Typ C

Type C



Manuelle Entriegelung.
Produkt-Spezifikation:
108-20091

.....
Manual Release.
Product Specification:
108-20091

4polig

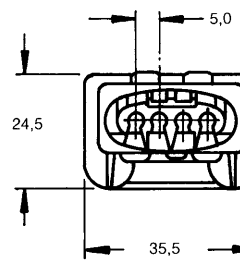
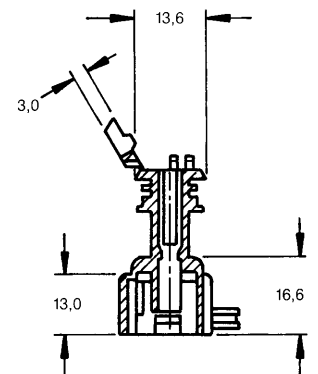
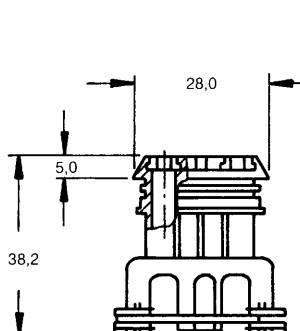
Best.-Nr. **282342-1**

4 Positions

Part No. **282342-1**

Typ C

Type C



Manuelle Entriegelung.
Produkt-Spezifikation:
108-20091

.....
Manual Release.
Product Specification:
108-20091

Gehäuse für Junior Power Timer-Kontakte, Länge 21,0 mm (Seite 13), auf Basis Einzelleiter-Dichtungs-System für Aggregat-Anschluß (Fortsetzung)

Housing for Junior Power Timer Contacts, 21.0 mm Length (Page 13), Based on Single Wire Sealing System for Aggregate Application (continued)

5polig

Best.-Nr. **282766-1** (schwarz)
Best.-Nr. **282766-2** (grau)

5 Positions

Part No. **282766-1** (black)
Part No. **282766-2** (grey)

5polig

Best.-Nr. **282193-1** (schwarz)
Best.-Nr. **282193-2** (grau)

5 Positions

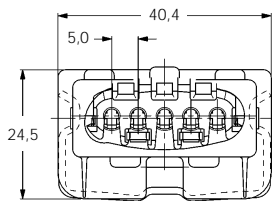
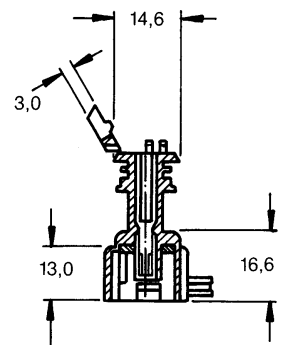
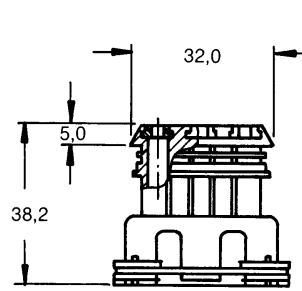
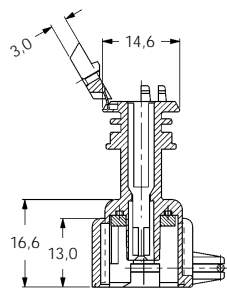
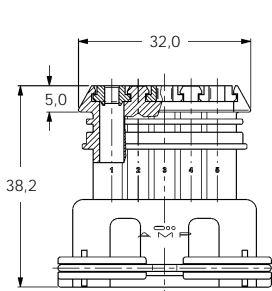
Part No. **282193-1** (black)
Part No. **282193-2** (grey)

Typ B

Type B

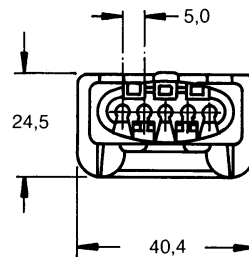
Typ C

Type C



Entriegelung mit Hilfsmittel.
Produkt-Spezifikation:
108-20091

Release with Auxiliary Tool.
Product Specification:
108-20091



Manuelle Entriegelung.
Produkt-Spezifikation:
108-20091

Manual Release.
Product Specification:
108-20091

6polig

Best.-Nr. **282767-1**

6 Positions

Part No. **282767-1**

6polig

Best.-Nr. **282236-1**

6 Positions

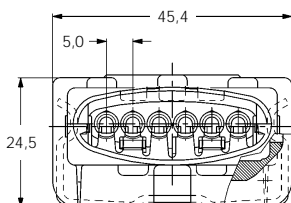
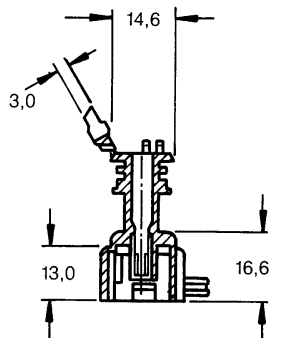
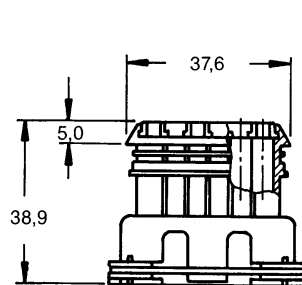
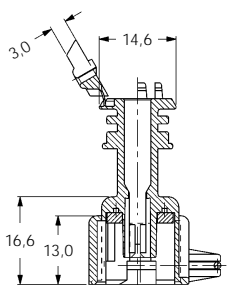
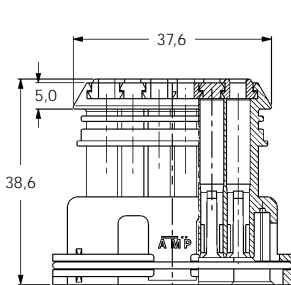
Part No. **282236-1**

Typ B

Type B

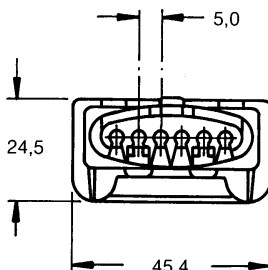
Typ C

Type C



Entriegelung mit Hilfsmittel.
Produkt-Spezifikation:
108-20091

Release with Auxiliary Tool.
Product Specification:
108-20091



Manuelle Entriegelung.
Produkt-Spezifikation:
108-20091

Manual Release.
Product Specification:
108-20091

Gehäuse für Junior Power Timer-Kontakte, Länge 21,0 mm (Seite 13), auf Basis Einzelleiter-Dichtungs-System für Aggregat-Anschluß (Fortsetzung)

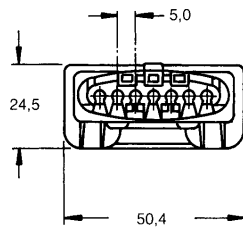
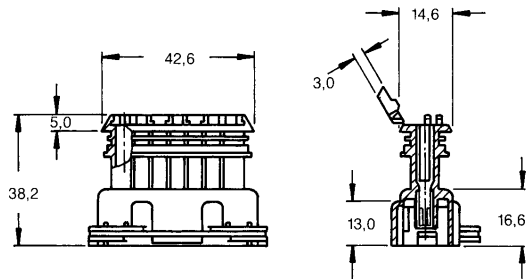
Housing for Junior Power Timer Contacts, 21.0 mm Length (Page 13), Based on Single Wire Sealing System for Aggregate Application (continued)

7polig

Best.-Nr. **282194-1** (schwarz)
Best.-Nr. **282194-2** (grau)

7 Positions

Part No. **282194-1** (black)
Part No. **282194-2** (grey)



Manuelle Entriegelung.
Produkt-Spezifikation:
108-20091

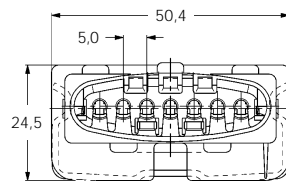
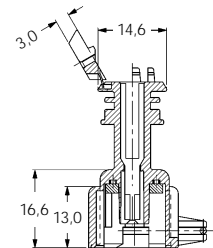
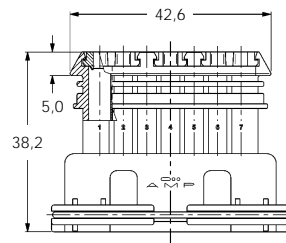
Manual Release.
Product Specification:
108-20091

7polig

Best.-Nr. **282768-1** (schwarz)
Best.-Nr. **282768-2** (grau)

7 Positions

Part No. **282768-1** (black)
Part No. **282768-2** (grey)



Entriegelung mit Hilfsmittel.
Produkt-Spezifikation:
108-20091

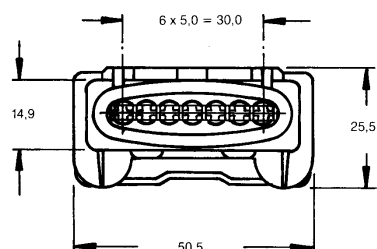
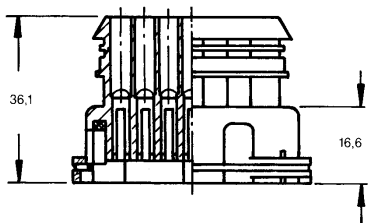
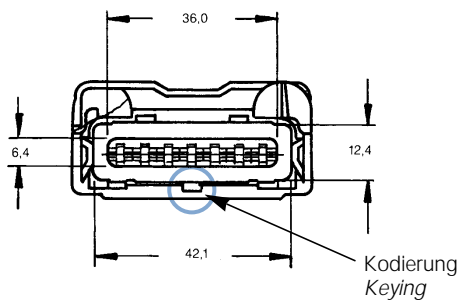
Release with Auxiliary Tool.
Product Specification:
108-20091

7polig

Best.-Nr. **828918-1** (grau)
Best.-Nr. **828918-2** (schwarz)
Best.-Nr. **828918-3** (braun)
Best.-Nr. **828918-4** (blau)
Best.-Nr. **828918-5** (grün)

7 Positions

Part No. **828918-1** (grey)
Part No. **828918-2** (black)
Part No. **828918-3** (brown)
Part No. **828918-4** (blue)
Part No. **828918-5** (green)

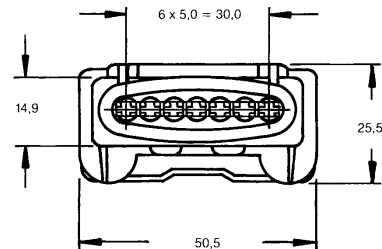
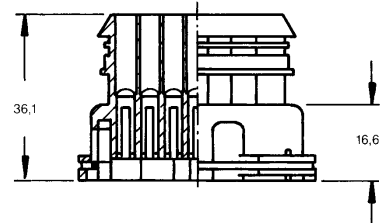
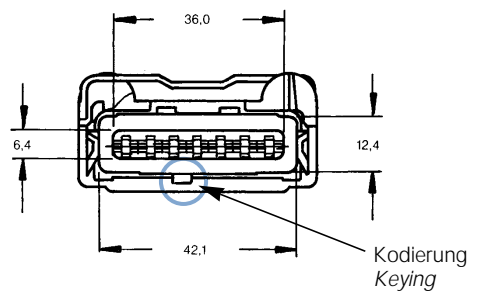


7polig

Best.-Nr. **828919-1** (grau)
Best.-Nr. **828919-2** (schwarz)
Best.-Nr. **828919-3** (braun)
Best.-Nr. **828919-4** (blau)
Best.-Nr. **828919-5** (grün)

7 Positions

Part No. **828919-1** (grey)
Part No. **828919-2** (black)
Part No. **828919-3** (brown)
Part No. **828919-4** (blue)
Part No. **828919-5** (green)



**Housing for Junior
Power Timer Contacts,
21.0 mm Length (Page 13),
Based on Single Wire
Sealing System for
Aggregate Application
(continued)**

15polig

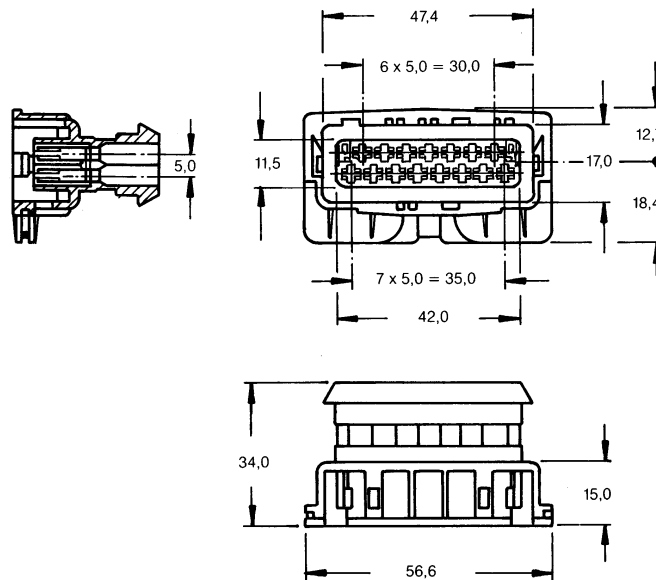
Best.-Nr. **963039-1** (grau)
Best.-Nr. **963039-2** (schwarz)

Passend zu Gehäuse:

Best.-Nr. **963035-1**, siehe Seite 64

Weitere Kodierung

Best.-Nr. **963036**

**15 Positions**

Part No. **963039-1** (grey)
Part No. **963039-2** (black)

Mating with Housing:

Part No. **963035-1**, see Page 64

Additional Coding

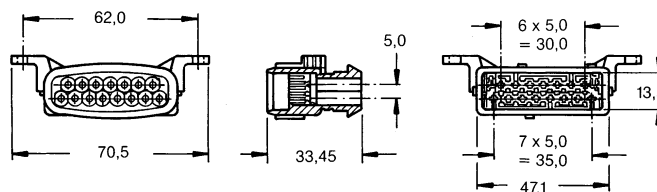
Part No. **963036**

15poliges Flachsteckergehäuse

Best.-Nr. **963035-1** (grau)
Best.-Nr. **963035-3** (schwarz)

Passend zu:

Best.-Nr. **963039-1** (grau)
Best.-Nr. **963039-2** (schwarz)

**15 Positions Tab Housing**

Part No. **963035-1** (grey)
Part No. **963035-3** (black)

Mating with:

Part No. **963039-1** (grey)
Part No. **963039-2** (black)

Dazugehörige Kontakte

Best.-Nr. **929949-2**
(1,25–2,50 mm²)

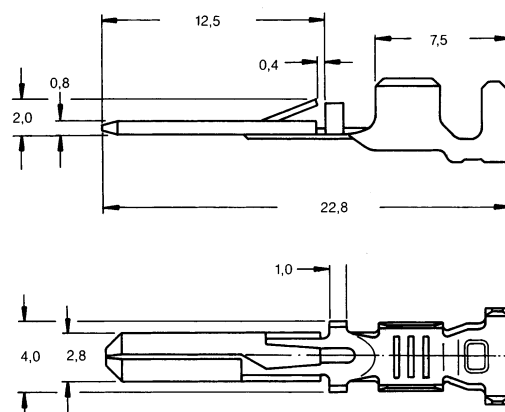
Einzelleiter-Dichtung:

Best.-Nr. **828904**, siehe Seite 29

Best.-Nr. **929948-2**
(0,5–1,0 mm²)

Einzelleiter-Dichtung:

Best.-Nr. **828905**, siehe Seite 29

**Proper Contacts**

Part No. **929949-2**
(1,25–2,50 mm²)

Single Wire Sealing:

Part No. **828904**, see Page 29

Part No. **929948-2**
(0,5–1,0 mm²)

Single Wire Sealing:

Part No. **828905**, see Page 29

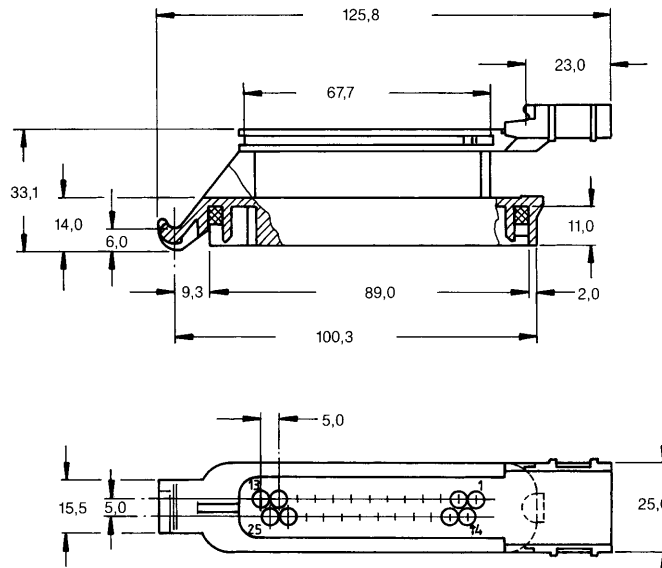
Gehäuse für Junior Power Timer-Kontakte, Länge 21,0 mm (Seite 13), auf Basis Einzelleiter-Dichtungs-System für Aggregat-Anschluß (Fortsetzung)

25polig

Best.-Nr. **281810-1** (schwarz)
Best.-Nr. **281810-2** (schwarz)

Passend zu:

Best.-Nr. **827050**, siehe Seite 51



Housing for Junior Power Timer Contacts, 21.0 mm Length (Page 13), Based on Single Wire Sealing System for Aggregate Application (continued)

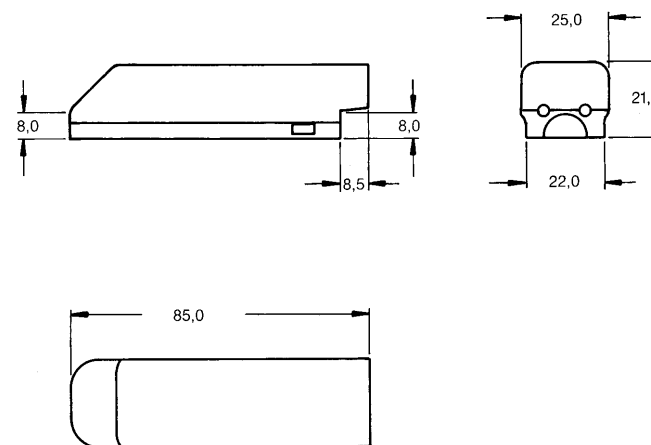
25 Positions

Part No. **281810-1** (black)
Part No. **281810-2** (black)

Mating with:

Part No. **827050**, see Page 51

25polig (Deckel)
Best.-Nr. **281812-1**



25 Positions (Cover)
Part No. **281812-1**

Gehäuse für Junior
Power Timer-Kontakte,
Länge 21,0 mm (Seite 13),
auf Basis Einzelleiter-
Dichtungs-System
für Aggregat-Anschluß
(Fortsetzung)

35polig

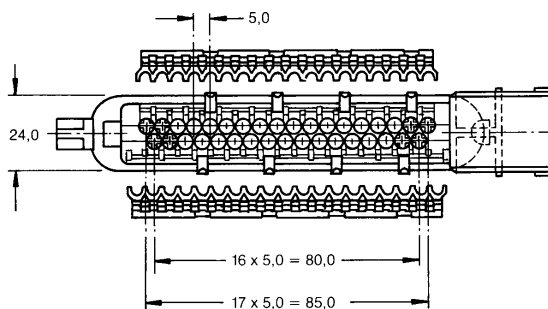
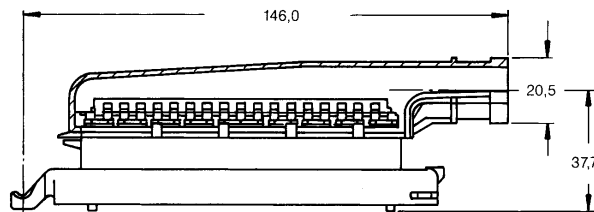
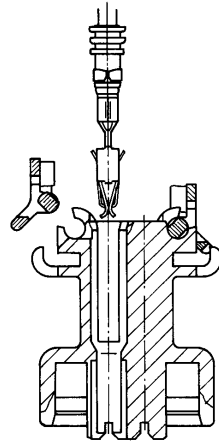
Best.-Nr. 282195-2

Standard-Ausführung

Passend zu:

Best.-Nr. 825213-1, siehe Seite 53

Best.-Nr. 827254-1, siehe Seite 53



Housing for Junior
Power Timer Contacts,
21.0 mm Length (Page 13),
Based on Single Wire
Sealing System for
Aggregate Application
(continued)

35 Positions

Part No. 282195-2

Standard Version

Mating with:

Part No. 825213-1, see Page 53

Part No. 827254-1, see Page 53

35polig

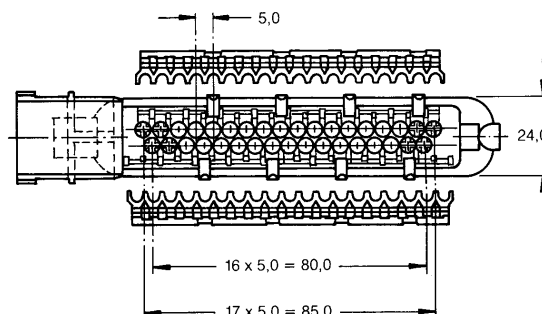
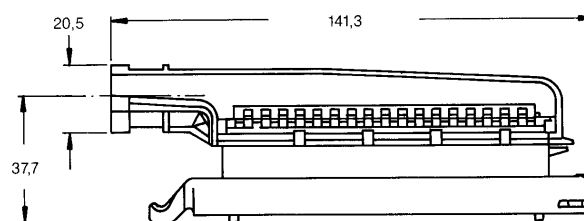
Best.-Nr. 282197-2

Gegenüberliegender
Kabelabgang

Passend zu:

Best.-Nr. 825213-1, siehe Seite 53

Best.-Nr. 827254-1, siehe Seite 53



35 Positions

Part No. 282197-2

Opposite
Cable Exit

Mating with:

Part No. 825213-1, see Page 53

Part No. 827254-1, see Page 53

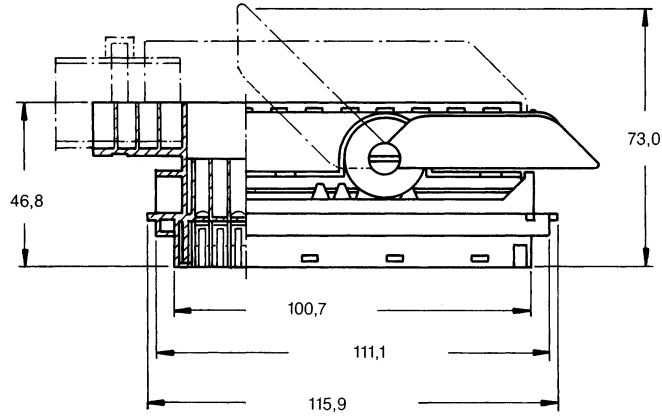
Gehäuse für Junior Power Timer-Kontakte, Länge 21,0 mm (Seite 13), auf Basis Einzelleiter-Dichtungs-System für Aggregat-Anschluß (Fortsetzung)

55poliges Gehäuse:
Best.-Nr. **963041-1**

Einzelleiter-Dichtung für Junior Power Timer-Kontakte:

Best.-Nr. **828904** (blau)
Best.-Nr. **828905** (weiß)

Passend zu:
Best.-Nr. **963042-1**, siehe Seite 56



Housing for Junior Power Timer Contacts, 21.0 mm Length (Page 13), Based on Single Wire Sealing System for Aggregate Application (continued)

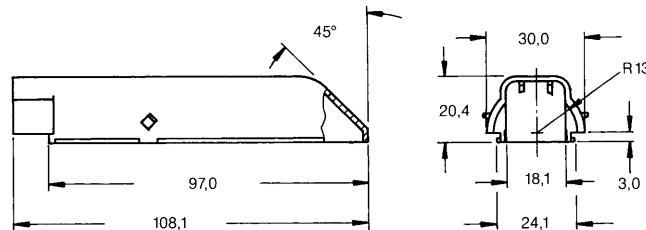
55 Positions Housing:
Part No. **963041-1**

Single Wire Sealing for Junior Power Timer Contacts:

Part No. **828904** (blue)
Part No. **828905** (white)

Mating with:
Part No. **963042-1**, see Page 56

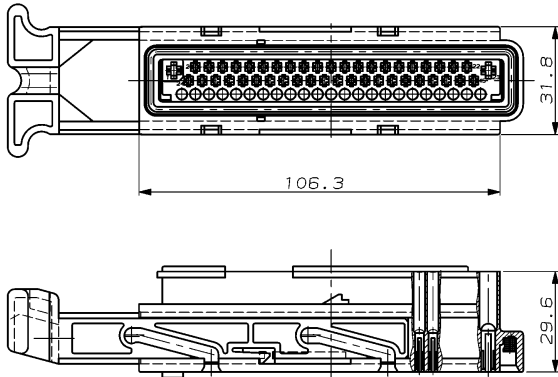
Abdeckkappe:
Best.-Nr. **962071-1**



Cover:
Part No. **962071-1**

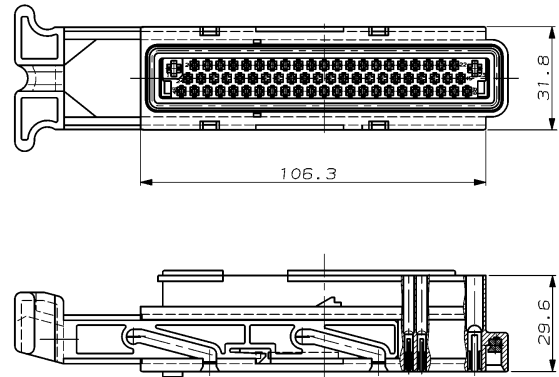
Gehäuse für Junior Power Timer- und Micro Timer II-Kontakte (siehe Seite 5 und 11), Länge 18,0 mm, auf Basis Einzelleiter-Dichtungs-System für Aggregat-Anschluß

Housing for Junior Power Timer and Micro Timer II Contacts (see Page 5 and 11), 18.0 mm Length, Based on Single Wire Sealing System for Aggregate Application



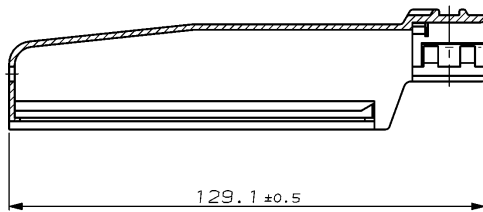
45poliges Gehäuse:
Best.-Nr. 963599-1

45 Positions Housing:
Part No. 963599-1



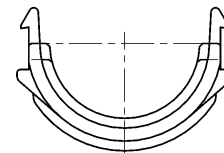
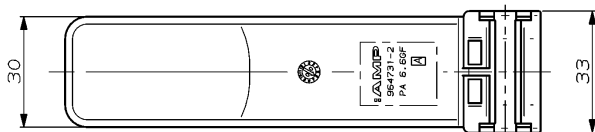
68poliges Gehäuse:
Best.-Nr. 963598-1

68 Positions Housing:
Part No. 963598-1



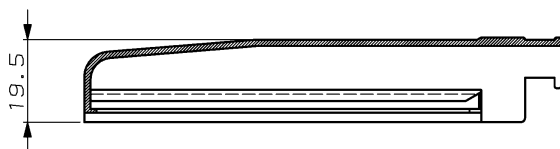
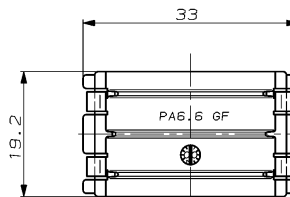
Abdeckkappe:
Best.-Nr. 964731-1 (ohne Loch)
Best.-Nr. 964731-2 (mit Loch)

Cover:
Part No. 964731-1 (without hole)
Part No. 964731-2 (with hole)



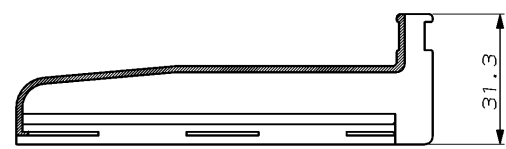
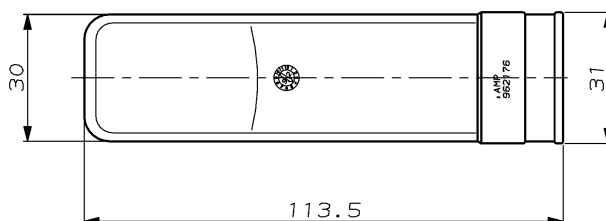
Clip für Wellrohr-Befestigung:
Best.-Nr. 964732-1

Clip for Corrugated Tube:
Part No. 964732-1



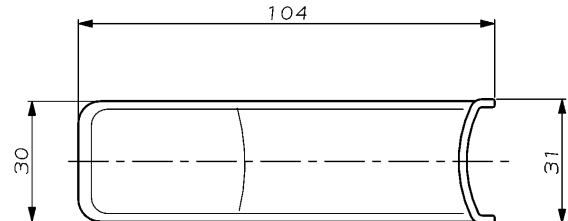
Abdeckkappe für 180°-Kabelabgang:
Best.-Nr. 965053-1 (45-/68polig)

Cover for Straight Cable Exit:
Part No. 965053-1 (45/68 pos.)



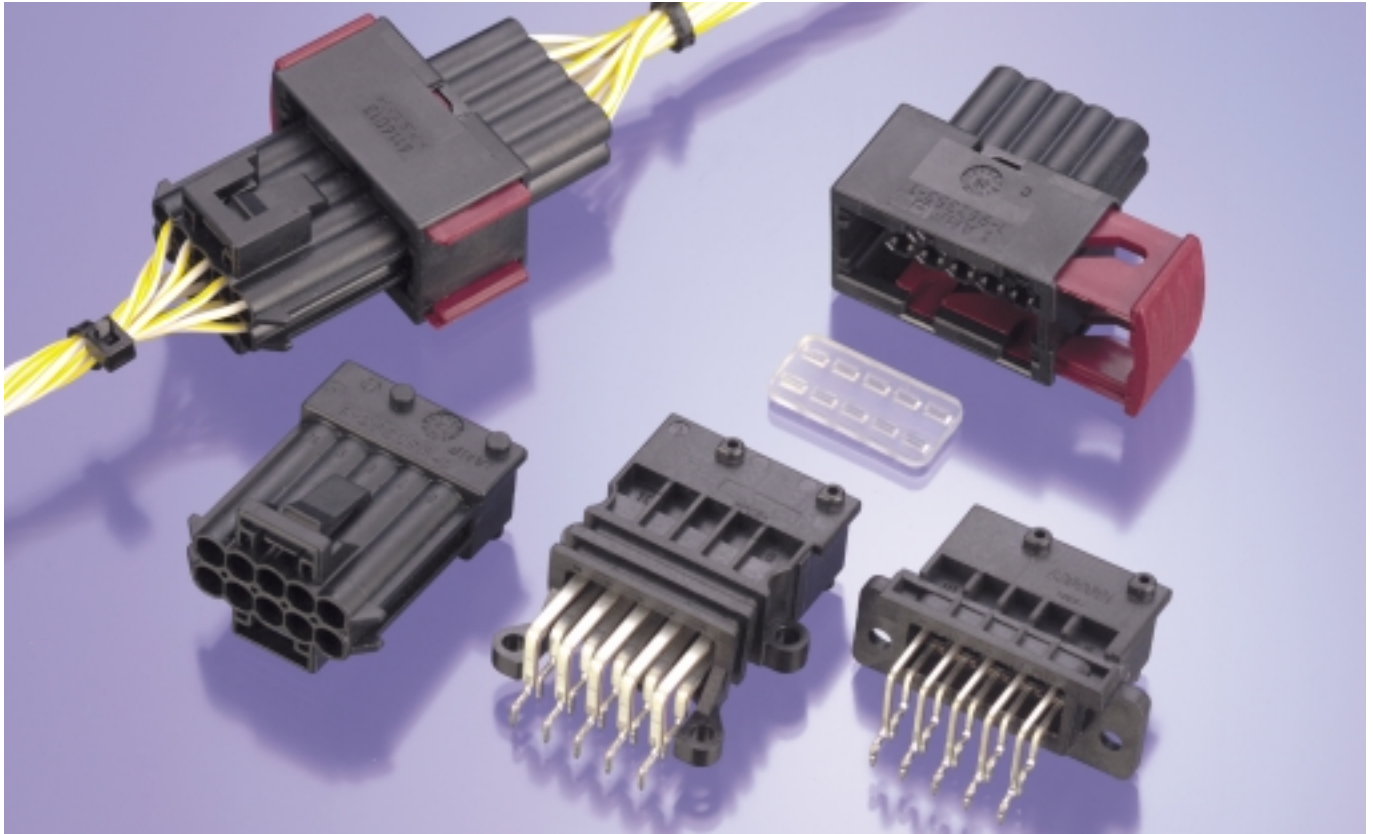
Abdeckkappe für 90°-Kabelabgang:
Best.-Nr. 965052-1 (45-/68polig)

Cover for Right-Angle Cable Exit:
Part No. 965052-1 (45/68 pos.)



**Gehäuse für
Power Timer- und
Micro Timer II-Kontakte,
Länge 21,0 mm,
auf Basis Einzelleiter-
Dichtungs-System**

**Housing for
Power Timer and
Micro Timer II Contacts,
21.0 mm Length,
Based on Single Wire
Sealing System**



Polzahl No. of Positions	Farbe Color	Bestell-Nummern/Part Numbers			
		Junior Power Timer-Buchsengehäuse Junior Power Timer Socket Housing	Flachsteckergehäuse Tab Housing	Stirndichtung Facial Sealing	90°-Messleiste Right-Angle Pin Header
2	Schwarz / Black	1-967239-1	1-965421-1	963209-1	-
	Grün / Green	2-967239-1	2-965421-1		
4	Schwarz / Black	1-967059-1	1-965261-1	963208-1	-
6	Schwarz / Black	1-967241-1	1-965426-1	963205-1	1-963211-1
10	Schwarz / Black	1-967240-1	1-965423-1	963213-1	1-967601-1
16	Schwarz / Black	1-967242-1	1-964449-1	963216-1	1-963215-1
24	Schwarz / Black	964738-1	964741-1	964741-1	-
29	Schwarz / Black	1-963449-2	-	963222-1	in Vorbereitung/in Development
42 (6 x Junior Power Timer + 36 x Micro Timer II)	Schwarz / Black	1-967281-1	-	963225-1	1-967280-1
70 (10 x Junior Power Timer + 60 x Micro Timer II)	Schwarz / Black	1-968879-1	-	963361-1	1-963484-1
2 (Standard Power Timer)	Schwarz / Black	1-967228-1	1-962375-1	963203-1	-

Kontakte

Contacts

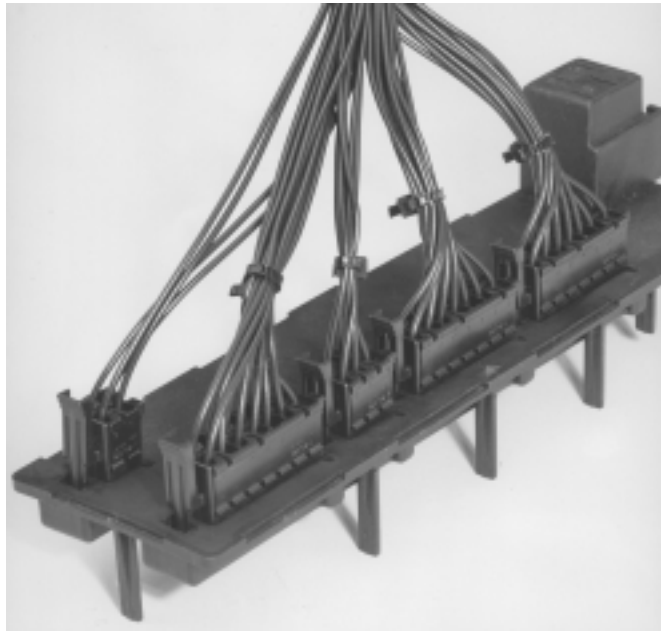
Leiterquer- schnittsbereich Wire Size Range (mm ²)	Bestell-Nummern/Part Numbers				
	Micro Timer II	Junior Power Timer	Standard Power Timer	Flachstecker Tab	Einzeldichtungs-System Single Wire Sealing System
0,35	962975	-	-	-	964971
0,5-1,0	962876	-	-	-	963530
0,5-1,0	-	929939	-	962915	828904
1,5-2,5	-	929937	-	962916	828905
1,5-2,5	-	-	927835	-	963244
4,0	-	-	928966	-	963245

Junior Timer- und Junior Power Timer-Gehäuse, 4-22polig, nicht wasserdicht

Diese Timer Gehäuse-Baureihe ist eine komplette Familie, die sowohl als „Fliegende Kupplung“ als auch Elektronikanschluß mit Leiterplattenanschluß 90° und 180° eingesetzt werden kann.

Die Flachstecker-Gehäuse sind so ausgerichtet, daß sie in einen Blech-ausschnitt verrastbar sind.

Flachstecker-Kontakte:
siehe Seite 71



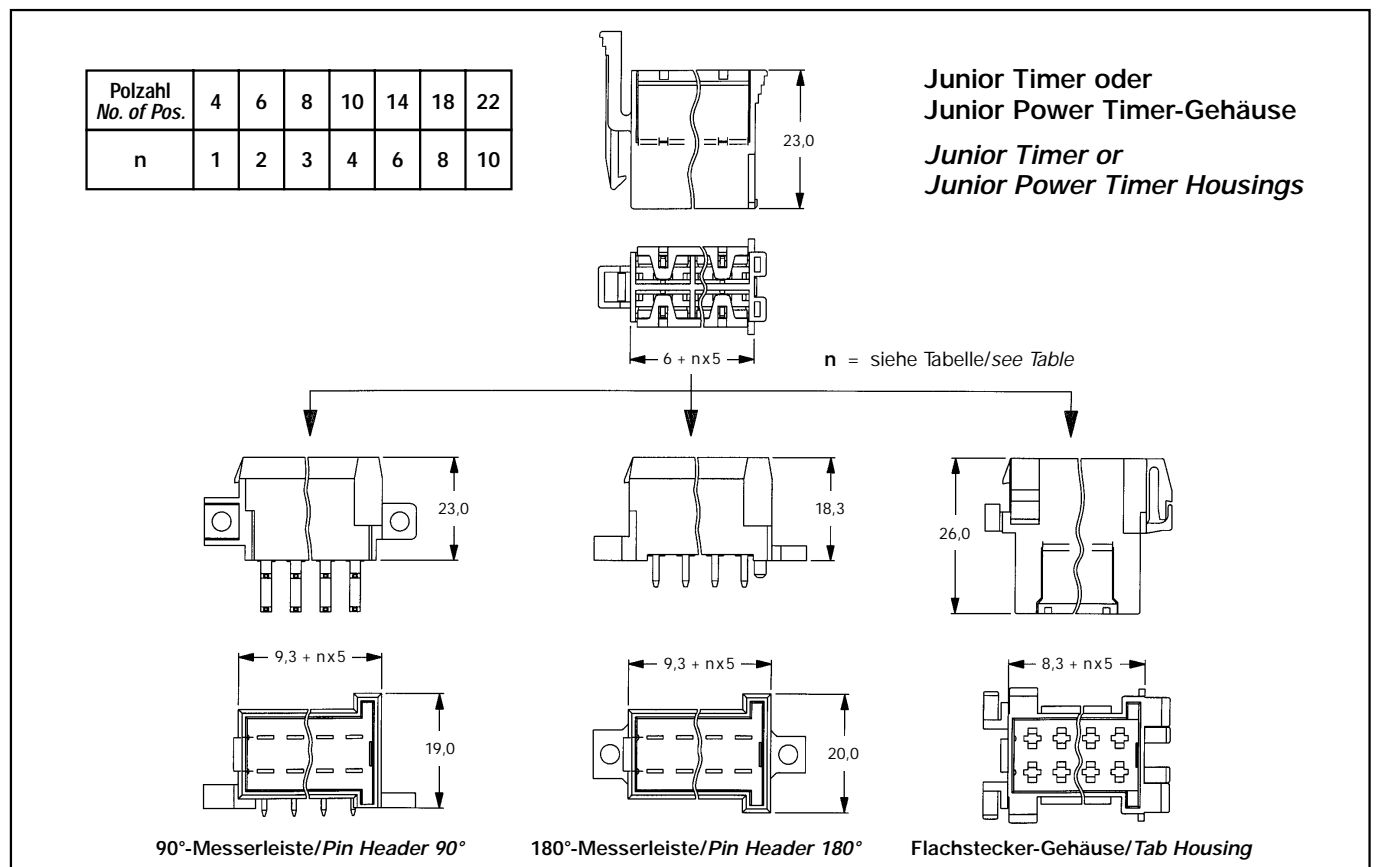
Junior Timer and Junior Power Timer Housings, 4-22 Positions, not Waterproof

These Timer housings are a complete family group. They are available in wire-to-wire as well as wire-to-pc board, right-angle and vertical applications.

The tab housing are designed to lock into mounting collar.

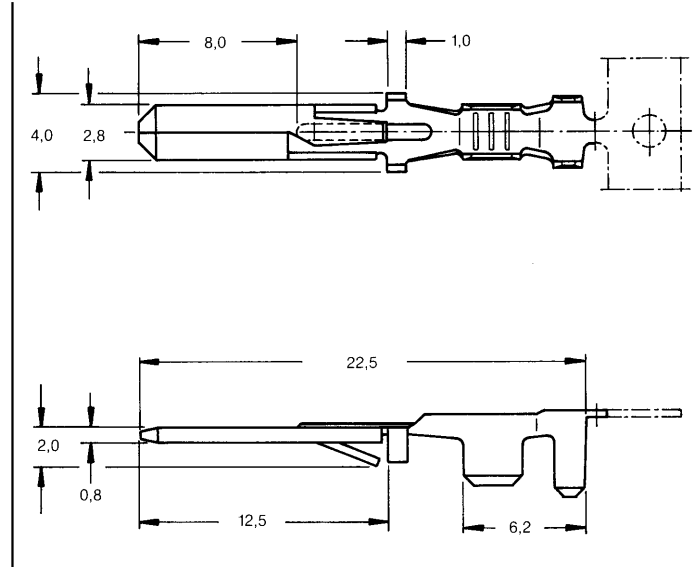
Tab Contacts:
see Page 71

Polzahl No. of Positions	Bestell-Nummern/Part Numbers							
	Junior Timer und Junior Power Timer Gehäuse Junior Timer and Junior Power Timer Housing	Packungs-einheit Packaging Unit	Flachstecker-gehäuse Tab Housing	Packungs-einheit Packaging Unit	90°-Messer-leiste Right-Angle Male Connector	Packungs-einheit Packaging Unit	180°-Messer-leiste Horizontal Male Connector	Packungs-einheit Packaging Unit
4	929504-1	500	929505-1	1.000	828801-1	900	963357-6	300
6	929504-2	2.000	929505-2	800	828801-2	700	963357-5	250
8	929504-3	1.600	929505-3	600	828801-3	600	-	-
10	929504-4	1.400	929505-4	500	828801-4	500	963357-4	180
14	929504-5	1.000	929505-5	400	828801-5	400	963357-3	300
18	929504-6	800	929505-6	300	828801-6	300	963357-2	240
22	929504-7	600	929505-7	250	828801-7 1-828801-1	250 250	963357-1 1-963357-1	240 240



Junior Timer- und
Junior Power Timer-
Gehäuse,
4-22polig,
nicht wasserdicht
(Fortsetzung)

Junior Timer and
Junior Power Timer
Housings,
4-22 Positions,
not Waterproof
(continued)



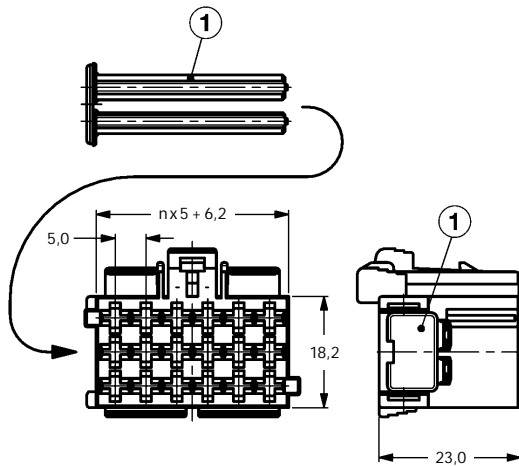
Leiterquer- schnittsbereich Wire Size Range (mm ²)	Isolierungs- durchmesser Insulation Diameter max. (mm)	Material und Oberfläche Material and Finish	Bestell-Nummern/Part Numbers				
			Band- ausführung Strip Form	Packungs- einheit Packaging Unit	Einzel- ausführung Loose- Piece	Packungs- einheit Packaging Unit	Handzange Hand Tool 169400 Matrize/Die Set
0,5-1,0	1,4-2,3	CuZn, versilbert/Brass, silver plated	928930-1	4.000	928931-1	500	734262
		CuZn, verzinkt/Brass, tin plated	928930-2	4.000	928931-2	500	734262
1,5-2,5	1,8-2,9	CuZn, versilbert/Brass, silver plated	928781-1	3.500	928794-1	400	734262
		CuZn, verzinkt/Brass, tin plated	928781-2	3.500	928794-2	400	734262

Junior Power Timer-Gehäuse,
6-21polig,
nicht wasserdicht

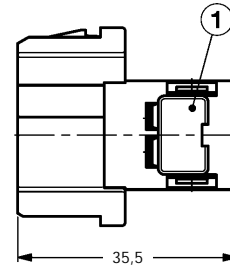
Junior Power Timer Housings,
6-21 Positions,
not Waterproof

Gezeigt: 18polige Steckverbindung / Shown: 18 Positions Connection

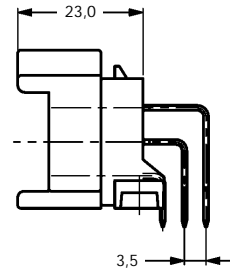
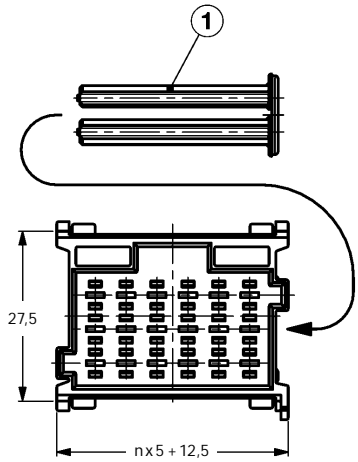
Polzahl No. of Pos.	6	9	12	15	18	21
n	1	2	3	4	5	6



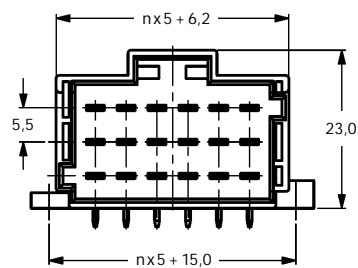
Junior Power Timer-Gehäuse
Junior Power Timer Housing



Flachstecker-Gehäuse / Tab Housing



90°-Messerleiste / Tab Header, 90°



① Zweite Kontaktsicherung (für Junior Power Timer- und Flachstecker-Gehäuse gleich). Einsatz optional, aber empfohlen.
Secondary Locking Feature (same for Junior Power Timer and Tab Housing). Optional but recommended use.

Bestell-Nummern/Part Numbers

Polzahl No. of Positions	Bestell-Nummern/Part Numbers					
	Junior Power Timer-Gehäuse Junior Power Timer Housing	Flachstecker-gehäuse Tab Housing	Gehäuse-Farbe Housing Color	2. Kontaktsicherung für Junior Power Timer- und Flachstecker-Gehäuse 2nd Locking Feature for Junior Power Timer and Tab Housing	90°-Messerleiste Right-Angle Pin Header	Packungs-einheit Packaging Unit
6	1-965640-1	1-965641-1	Blau / Blue	968271-1	966140-5	168
9	1-967621-1	1-967626-1	Gelb / Yellow	967631-1	966140-4	168
12	1-967622-1	1-967627-1	Grün / Green	967632-1	966140-3	168
15	1-967623-1	1-967628-1	Purpur / Purple	967633-1	966140-2	168
18	1-967624-1	1-967629-1	Grau / Grey	967634-1	966140-1	168
21	1-967625-1	1-967630-1	Braun / Brown	967635-1	966140-6	112

Andere Farbvarianten siehe Tabellen-Zeichnung:
Nr. **1355071** (Junior Power Timer-Gehäuse)
Nr. **1355072** (Flachstecker-Gehäuse)

For other colors see table drawing:
No. **1355071** (Junior Power Timer Housing)
No. **1355072** (Tab Housing)

Kontakte

Contacts

Leiterquerschnittsbereich Wire Size Range (mm ²)	Bestell-Nummern/Part Numbers	
	Junior Power Timer	Flachstecker/Tab
0,35	927774	963860
0,5-1,0	927771	962841
1,5-2,5	927768	962842

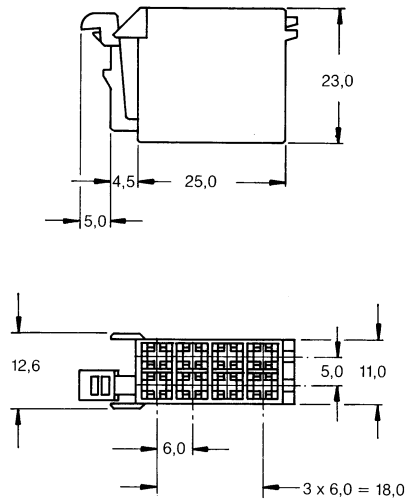
**Junior Timer-
und Junior Power Timer-
Gehäuse für
Autoradio-Anschluß
nach
ISO-TC 22/WG 5**

Typ A

8polig:
Best.-Nr. **962189-1**

Passend zu

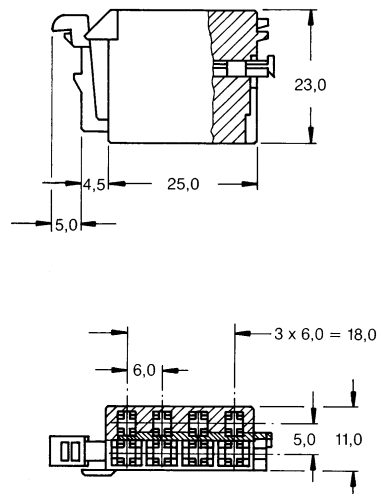
8poliges Flachsteckergehäuse:
Best.-Nr. **106455-3**, siehe Seite 76



8polig:
Best.-Nr. **963120-1**
(mit zweiter Kontaktsicherung)

Passend zu

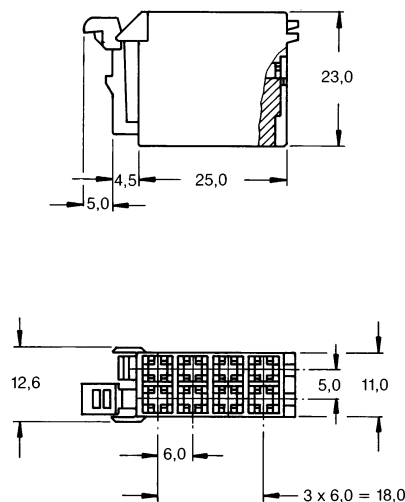
8poliges Flachsteckergehäuse:
Best.-Nr. **106455-3**, siehe Seite 76



8polig:
Best.-Nr. **964408-1**
(andere Blechverrastung)

Passend zu

8poliges Flachsteckergehäuse:
Best.-Nr. **106455-3**, siehe Seite 76



**Junior Timer and
Junior Power Timer
Housings for
Car Radio Application
according to
ISO-TC 22/WG 5**

Type A

8 Positions:
Part No. **962189-1**

Mating with

8 Positions Tab Housing:
Part No. **106455-3**, see Page 76

8 Positions:
Part No. **963120-1**
(with second Locking Feature)

Mating with

8 Positions Tab Housing:
Part No. **106455-3**, see Page 76

8 Positions:
Part No. **964408-1**
(different Clips)

Mating with

8 Positions Tab Housing:
Part No. **106455-3**, see Page 76

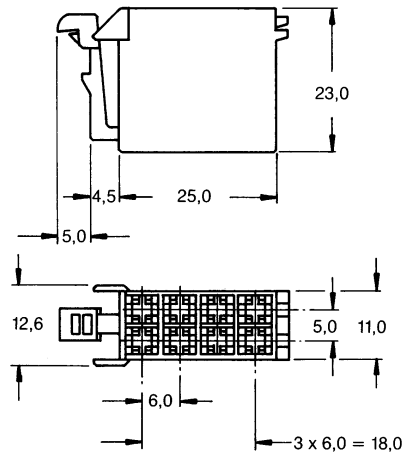
Junior Timer- und Junior Power Timer-Gehäuse für Autoradio-Anschluß nach ISO-TC 22/WG 5 (Fortsetzung)

Typ B

8polig:
Best.-Nr. 962191-1

Passend zu

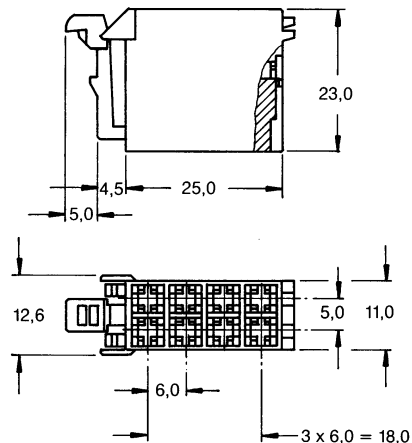
8poliges Flachsteckergehäuse:
Best.-Nr. 106455-3, siehe Seite 76



8polig:
Best.-Nr. 963121-1
(mit zweiter Kontaktsicherung)

Passend zu

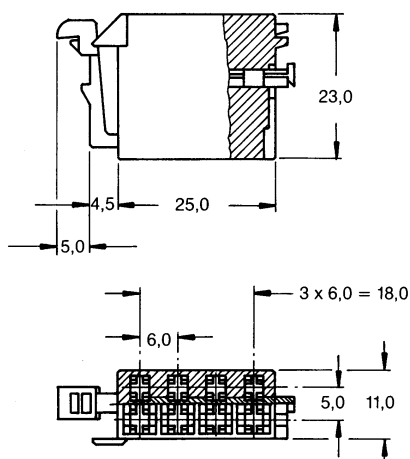
8poliges Flachsteckergehäuse:
Best.-Nr. 106455-3, siehe Seite 76



8polig:
Best.-Nr. 964409-1
(andere Blechverrastung)

Passend zu

8poliges Flachsteckergehäuse:
Best.-Nr. 106455-3, siehe Seite 76



Junior Timer and Junior Power Timer Housings for Car Radio Application according to ISO-TC 22/WG 5 (continued)

Type B

8 Positions:
Part No. 962191-1

Mating with

8 Positions Tab Housing:
Part No. 106455-3, see Page 76

8 Positions:
Part No. 963121-1
(with second Locking Feature)

Mating with

8 Positions Tab Housing:
Part No. 106455-3, see Page 76

8 Positions:
Part No. 964409-1
(different Clips)

Mating with

8 Positions Tab Housing:
Part No. 106455-3, see Page 76

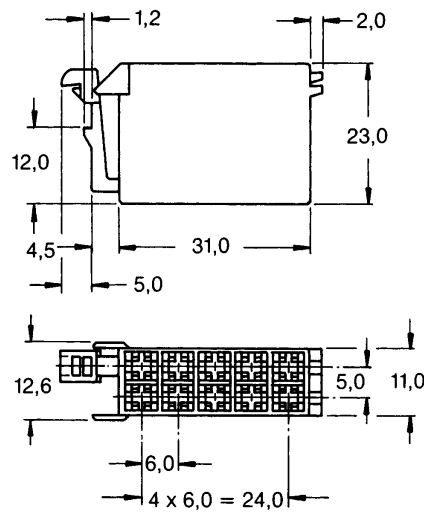
Junior Timer- und Junior Power Timer-Gehäuse für Autoradio-Anschluß nach ISO-TC 22/WG 5 (Fortsetzung)

Typ C

10polig:
Best.-Nr. **962190-1**

Passend zu

10poliges Flachsteckergehäuse:
Best.-Nr. **106456-1**, siehe Seite 76



Junior Timer and Junior Power Timer Housings for Car Radio Application according to ISO-TC 22/WG 5 (continued)

Type C

10 Positions:
Part No. **962191-1**

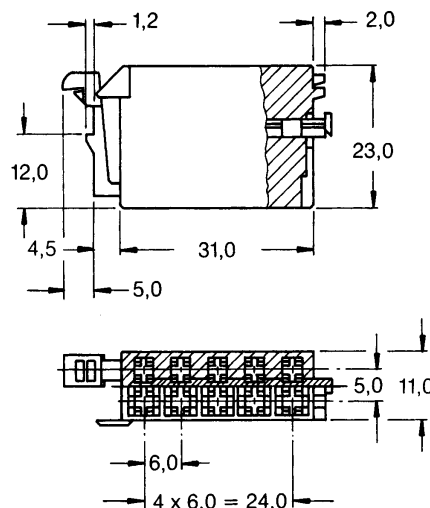
Mating with

10 Positions Tab Housing:
Part No. **106456-1**, see Page 76

10polig:
Best.-Nr. **963122-1**
(mit zweiter Kontaktsicherung)

Passend zu

10poliges Flachsteckergehäuse:
Best.-Nr. **106456-1**, siehe Seite 76



10 Positions
Part No. **963122-1**
(with second Locking Feature)

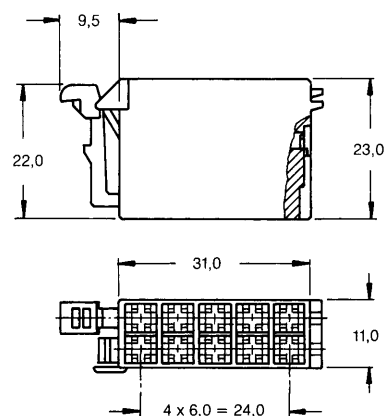
Mating with

10 Positions Tab Housing:
Part No. **106456-1**, see Page 76

10polig:
Best.-Nr. **964410-1**
(andere Blechverrastung)

Passend zu

10poliges Flachsteckergehäuse:
Best.-Nr. **106456-1**, siehe Seite 76



10 Positions:
Part No. **964410-1**
(different Clips)

Mating with

10 Positions Tab Housing:
Part No. **106456-1**, see Page 76

Junior Timer- und Junior Power Timer-Gehäuse für Autoradio-Anschluß nach ISO-TC 22/WG 5 (Fortsetzung)

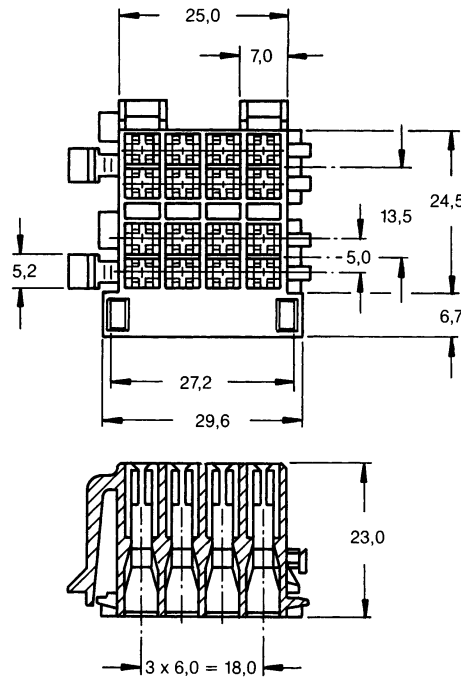
Junior Timer and Junior Power Timer Housings for Car Radio Application according to ISO-TC 22/WG 5 (continued)

Typ A + B

16polig:
(auf Anfrage)

Type A + B

16 Positions:
(on request)



8pol. Flachstecker-Gehäuse:

Best.-Nr. **106455-3**, grau
Best.-Nr. **106455-4**, braun

8 Positions Tab Housing:

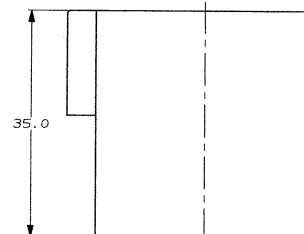
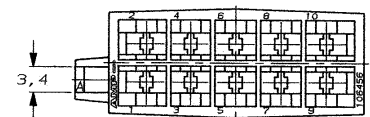
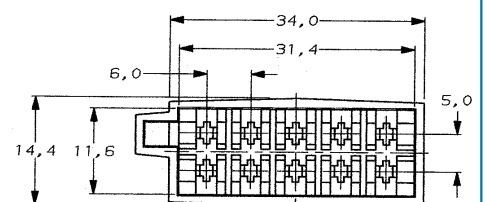
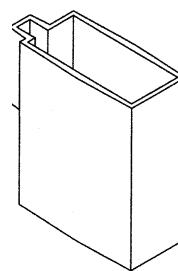
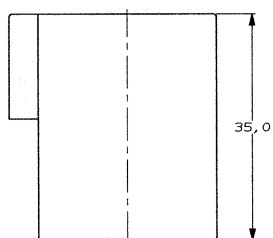
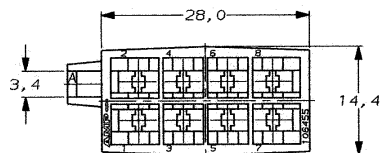
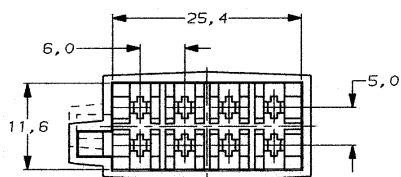
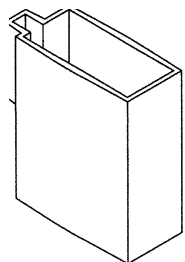
Part No. **106455-3**, grey
Part No. **106455-4**, brown

10poliges Flachstecker-Gehäuse:

Best.-Nr. **106456-1**, schwarz

10 Positions Tab Housing:

Part No. **106456-1**, black



Junior Timer- und Junior Power Timer-Gehäuse, 2-, 4-, 6-, 8- und 14polig, für Leiter-an-Leiter Verarbeitung

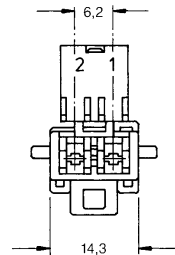
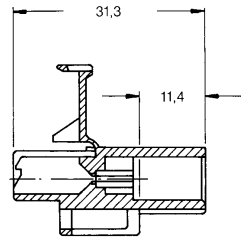
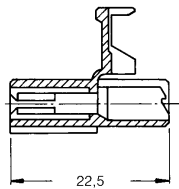
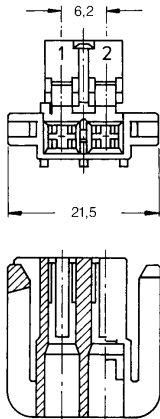
Junior Timer and Junior Power Timer Housings, 2-, 4-, 6-, 8- and 14-Positions, for Wire-to-Wire Application

2poliges Junior Power Timer-Gehäuse

2 Positions Junior Power Timer Housing

2poliges Flachstecker-Gehäuse

2 Positions Tab Housing



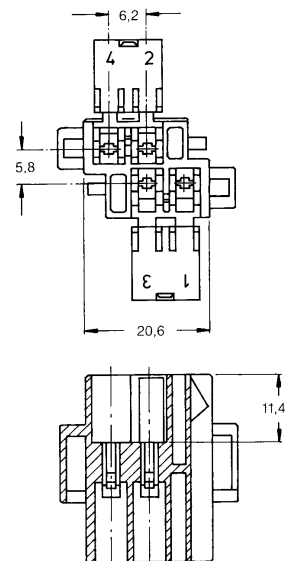
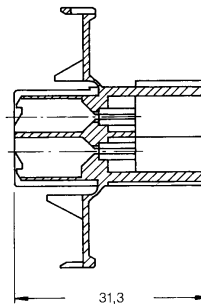
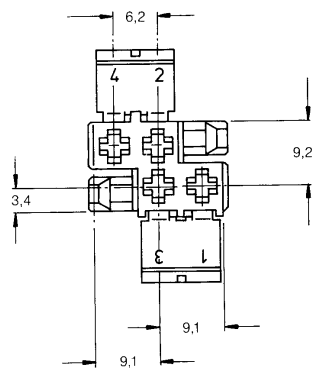
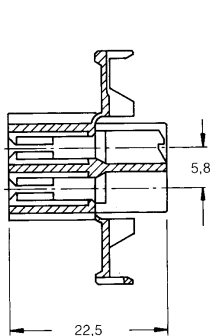
Farbe Color	Bestell-Nummern/Part Numbers					
	Junior Power Timer-Gehäuse Junior Power Timer Housing	Kodierung Keying	Packungseinheit Packaging Unit	Flachstecker-Gehäuse Tab Housing	Kodierung Keying	Packungseinheit Packaging Unit
natur/natural	365058-1	1	1.000	365057-1	1	1.500
grau/grey	365058-2	2	1.000	365057-2	2	1.500
schwarz/black	365058-3	3	1.000	365057-3	3	1.500
gelb/yellow	365058-4	4	1.000	365057-4	4	1.500

4poliges Junior Power Timer-Gehäuse

4 Positions Junior Power Timer Housing

4poliges Flachstecker-Gehäuse

4 Positions Tab Housing



Farbe Color	Bestell-Nummern/Part Numbers					
	Junior Power Timer-Gehäuse Junior Power Timer Housing	Kodierung Keying	Packungseinheit Packaging Unit	Flachstecker-Gehäuse Tab Housing	Kodierung Keying	Packungseinheit Packaging Unit
natur/natural	365060-1	1	700	365059-1	1	500
grau/grey	365060-2	2	700	365059-2	2	500
schwarz/black	365060-3	3	700	365059-3	3	500
gelb/yellow	365060-4	4	700	365059-4	4	500

Junior Timer- und Junior Power Timer-Gehäuse, 2-, 4-, 6-, 8- und 14polig, für Leiter-an-Leiter Verarbeitung (Fortsetzung)

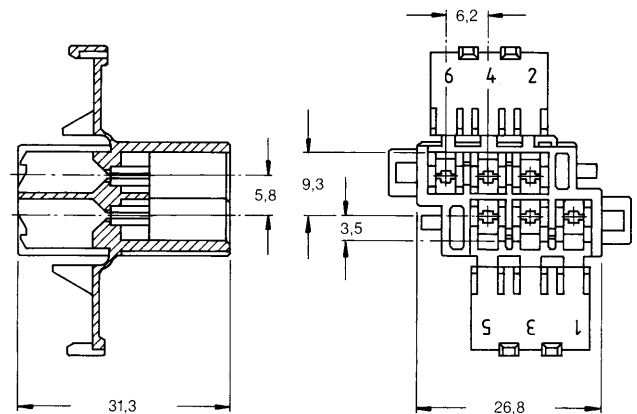
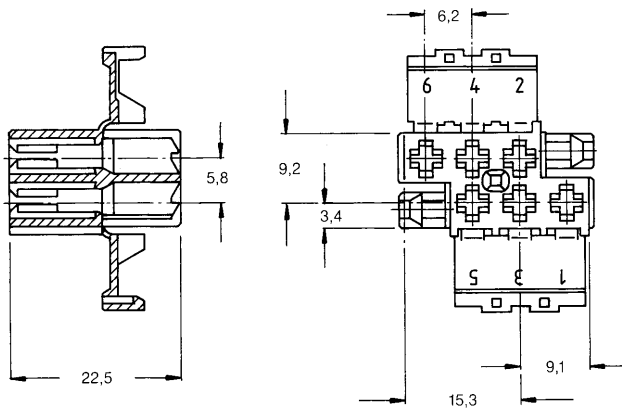
Junior Timer and Junior Power Timer Housings, 2-, 4-, 6-, 8- and 14-Positions, for Wire-to-Wire Application (continued)

6poliges Junior Power Timer-Gehäuse

6 Positions Junior Power Timer Housing

6poliges Flachstecker-Gehäuse

6 Positions Tab Housing



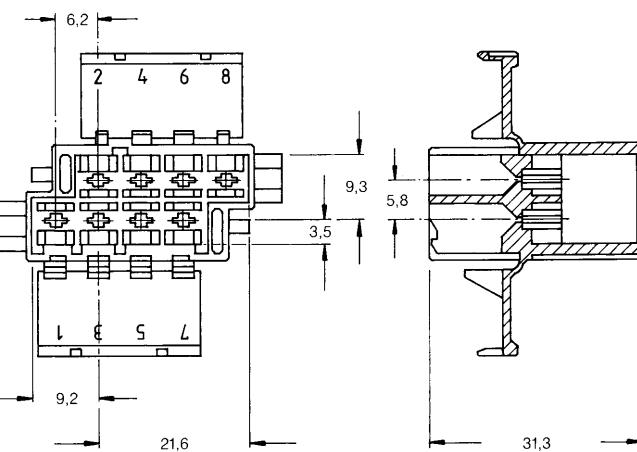
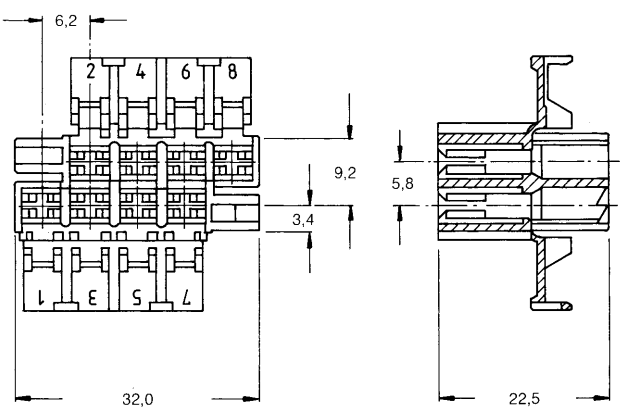
Farbe Color	Bestell-Nummern/Part Numbers					
	Junior Power Timer-Gehäuse Junior Power Timer Housing	Kodierung Keying	Packungseinheit Packaging Unit	Flachstecker-Gehäuse Tab Housing	Kodierung Keying	Packungseinheit Packaging Unit
natur/natural	365062-1	1	500	365061-1	1	300
grau/grey	365062-2	2	500	365061-2	2	300
schwarz/black	365062-3	3	500	365061-3	3	300
gelb/yellow	365062-4	4	500	365061-4	4	300

8poliges Junior Power Timer-Gehäuse

8 Positions Junior Power Timer Housing

8poliges Flachstecker-Gehäuse

8 Positions Tab Housing



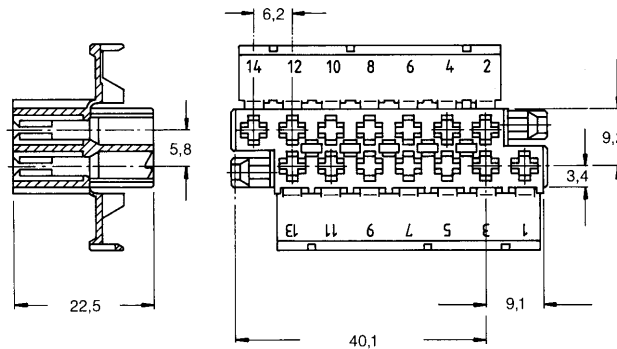
Farbe Color	Bestell-Nummern/Part Numbers					
	Junior Power Timer-Gehäuse Junior Power Timer Housing	Kodierung Keying	Packungseinheit Packaging Unit	Flachstecker-Gehäuse Tab Housing	Kodierung Keying	Packungseinheit Packaging Unit
natur/natural	365064-1	1	400	365063-1	1	250
grau/grey	365064-2	2	400	365063-2	2	250
schwarz/black	365064-3	3	400	365063-3	3	250
gelb/yellow	365064-4	4	400	365063-4	4	250

Junior Timer- und Junior Power Timer-Gehäuse, 2-, 4-, 6-, 8- und 14polig, für Leiter-an-Leiter Verarbeitung (Fortsetzung)

Junior Timer and Junior Power Timer Housings, 2-, 4-, 6-, 8- and 14-Positions, for Wire-to-Wire Application (continued)

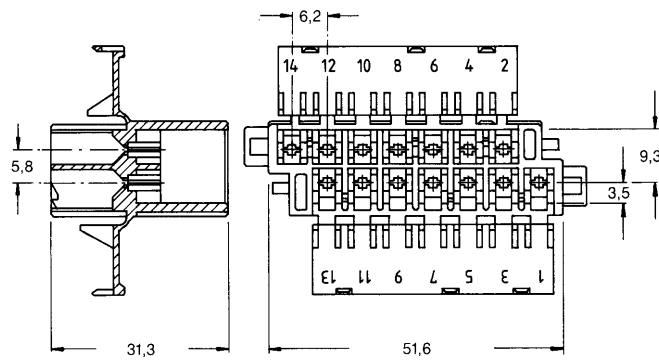
14poliges Junior Power Timer-Gehäuse

14 Positions Junior Power Timer Housing



14poliges Flachstecker-Gehäuse

14 Positions Tab Housing



Farbe Color	Bestell-Nummern/Part Numbers					
	Junior Power Timer-Gehäuse Junior Power Timer Housing	Kodierung Keying	Packungseinheit Packaging Unit	Flachstecker-Gehäuse Tab Housing	Kodierung Keying	Packungseinheit Packaging Unit
natur/natural	365062-1	1	500	365065-1	1	300
grau/grey	365062-2	2	500	365065-2	2	300
schwarz/black	365062-3	3	500	365065-3	3	300
gelb/yellow	365062-4	4	500	365065-4	4	300

Passende Kontakte für:

Junior Timer Seite 9
Junior Power Timer Seite 11
Flachstecker Seite 80

Mating Contacts for:

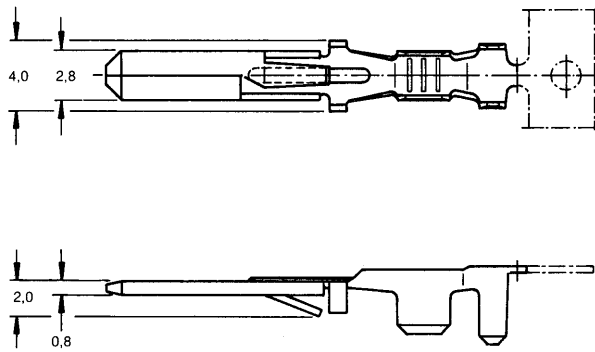
Junior Timer Page 9
Junior Power Timer Page 11
Tab Page 80

Junior Timer- und Junior Power Timer-Gehäuse, 2-, 4-, 6-, 8- und 14polig, für Leiter-an-Leiter Verarbeitung (Fortsetzung)

Junior Timer and Junior Power Timer Housings, 2-, 4-, 6-, 8- and 14-Positions, for Wire-to-Wire Application (continued)

Passende Flachstecker, 2,8 mm x 0,8 mm

Mating Tab Contacts, 2.8 mm x 0.8 mm



Leiterquerschnittsbereich Wire Size Range (mm ²)	Isolierungsdurchmesser Insulation Diameter max. (mm) FLR	Material und Oberfläche* Material and Finish*	Bestell-Nummern/Part Numbers					
			Band-ausführung Strip Form	Packungs-einheit Packaging Unit	Einzel-ausführung Loose-Piece	Packungs-einheit Packaging Unit	Anschlag-werkzeug Applicator	Handzange Hand Tool 169400 Matrize/Die Set
0,5-1,0	1,6-2,2**	-1/-2/-3/-4	927892	4.000	928923	500	-	-
1,5-3,0	2,3-3,5**	-1/-2/-3/-4/-5	927893	3.250	928924	500	-	-

- * Material und Oberfläche:**
 -1 = CuZn, verzinkt
 -2 = CuSn, vergoldet
 -3 = CuSn, blank
 -4 = CuSn, versilbert
 -5 = CuSn, verzinkt

** für RB-Leitungen

Ausdrückwerkzeug:
 Best.-Nr. **725864**

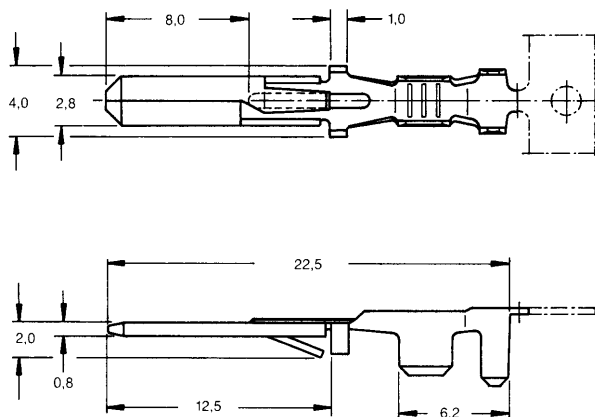
- * Material and Finish:**
 -1 = CuZn, tin plated
 -2 = CuSn, gold plated
 -3 = CuSn, plain
 -4 = CuSn, silver plated
 -5 = CuSn, tin plated

** for RB-Wires

Extraction Tool:
 Part No. **725864**

Passende Flachstecker, 2,8 mm x 0,8 mm

Mating Tab Contacts, 2.8 mm x 0.8 mm



Leiterquerschnittsbereich Wire Size Range (mm ²)	Isolierungsdurchmesser Insulation Diameter max. (mm) FLR	Material und Oberfläche* Material and Finish*	Bestell-Nummern/Part Numbers					
			Band-ausführung Strip Form	Packungs-einheit Packaging Unit	Einzel-ausführung Loose-Piece	Packungs-einheit Packaging Unit	Anschlag-werkzeug Applicator	Handzange Hand Tool 169400 Matrize/Die Set
0,20-0,50	1,15-1,60	-1/-2/-3/-4/-5	963961	5.000	963962	500	-	734372
0,50-1,00	1,40-2,30	-1/-2/-3/-4/-5	928930	4.000	928931	500	-	-
1,25-2,50	1,80-2,90	-1/-2/-3/-4/-5	928781	3.500	928794	400	-	-

- * Material und Oberfläche:**
 -1 = CuZn, versilbert
 -2 = CuZn, vorverzinkt
 -3 = CuZn, blank
 -4 = CuZn, vergoldet
 -5 = CuSn, vorverzinkt

Ausdrückwerkzeug:
 Best.-Nr. **725864**

- * Material and Finish:**
 -1 = CuZn, silver plated
 -2 = CuZn, pre-tin plated
 -3 = CuZn, plain
 -4 = CuZn, gold plated
 -5 = CuSn, pre-tin plated

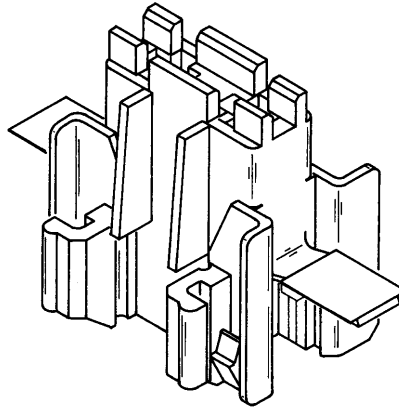
Extraction Tool:
 Part No. **725864**

Weitere Gehäuse für Timer-Kontakte

Sicherungshalter mit zweiter Kontaktsicherung

Best.-Nr. **100198-1**

Kontakte:
Siehe Seite 20



Additional Housings for Timer Contacts

Fuse Holder with Secondary Locking Feature

Part No. **100198-1**

Contacts:
See Page 20

Für Standard Power Timer-Kontakte

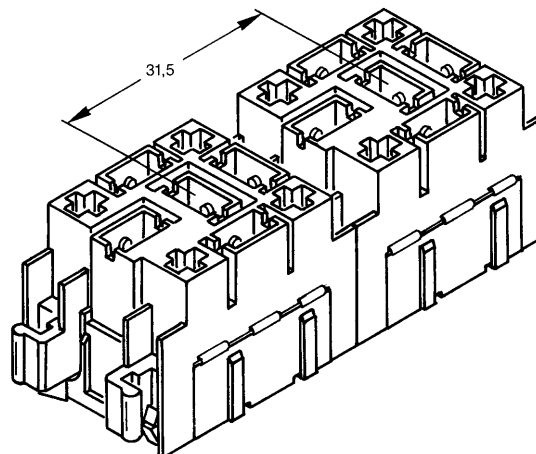
Anreihbar an:

9poliges Relaisgehäuse mit zweiter Kontaktsicherung

Best.-Nr. **215754**
(5 x Positive Lock-Kontakte,
4 x Junior Power Timer-Kontakte)

Kontakte:
Siehe Seite 20

Befestigungsplatte:
Best.-Nr. **106170-1**



For Standard Power Timer Contacts

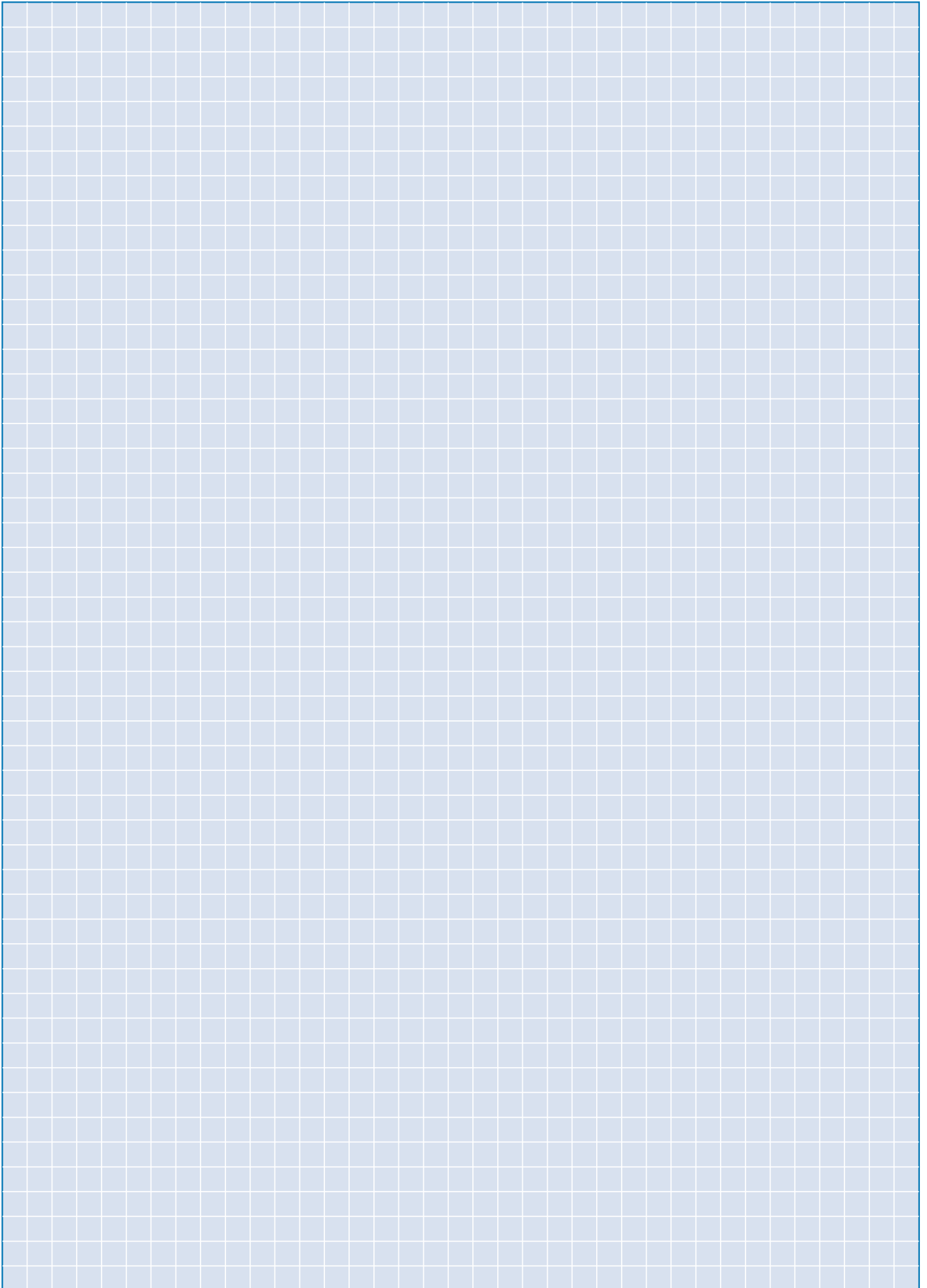
Could be Rowed with:

9 Positions Relais Housing with Secondary Locking Feature

Part No. **215754**
(5 x Positive Lock Contacts,
4 x Junior Power Timer Contacts)

Contacts:
See Page 20

Mounting Plate:
Part No. **106170-1**



Verarbeitungs-Werkzeuge und -Maschinen

HD-I Applicator

Ein kostengünstiges Crimpwerkzeug ohne Qualitätskompromisse

Der neue Applicator vereinbart das steigende Preis-Leistungs-Verhältnis mit den Anforderungen der heutigen Leitungs- und Kabelbaum-Industrie, insbesondere bei Tyco Electronics AMP.

Er bietet hohe Flexibilität bei niedrigen Kosten. Mit dem Applicator ist beim Crimpen aller herkömmlichen Kontakte von der Rolle eine hohe Crimp-Qualität gesichert. Ein weiterer Vorteil besteht in der Verringerung des Ersatzteilbestandes.

Aufbauend auf AMP Erfahrungen mit dem HD-M (Heavy-Duty Mini) Applicator wird der HD-I (Heavy Duty-Industrial) Applicator allen Erfordernissen des Marktes gerecht.

Er eignet sich besonders für den Einsatz in den Bereichen Automotive, Weiße Ware und Consumer Electronics.

Pflege und Instandhaltung des Applicators sind mit metrischen Standardwerkzeugen möglich.

Die verbesserte Vorschubführung gewährleistet einfache Einstellung und sehr hohe Crimp-Präzision.

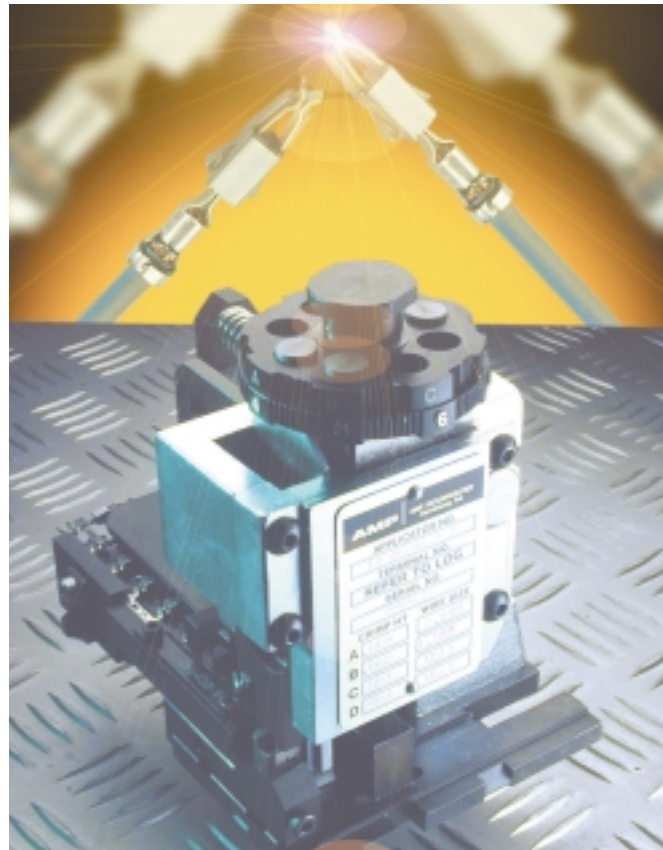
Durch die Standardisierung von Bauteilen wurde eine Reduzierung der Kosten und der Ersatzteile erreicht.

Die kompakte Konstruktion dieses Applicators ermöglicht einen schnellen Werkzeugwechsel. Maschinen-Stillstandszeiten lassen sich dadurch auf ein Minimum reduzieren.

Der Applicator ist in Maschinen mit 30 mm und 40 mm Pressenhub einsetzbar.

Es stehen verschiedene Ausführungen des neuen Applicators wie Trennen des Trägerstreifens oder die kontinuierliche Zuführung des Trägerstreifens in vorhandene Zerhacker-Einrichtung, zur Verfügung.

Optional sind ein Zyklus-Zähler zum Anzeigen der Wartungsintervalle oder zum Wechseln von Ersatzteilen – wie Amboß, Leitungs- und Isolierungs crimper – und ein Verschleißteile-Paket erhältlich.



Produkt-Merkmale

- Hohe Crimp-Präzision
- Hohe Flexibilität bei niedrigen Kosten
- Verringerung des Ersatzteilbestandes
- Vereinheitlichung von Bauteilen
- Schrauben nach DIN (metrisch)
- Nur ein Werkzeugsatz für Pflege und Wartung
- Schneller Werkzeugwechsel
- Minimierung von Maschinen-Stillstandszeiten
- Kompatibel mit vielen Crimpmaschinen

Technische Daten

End-Feed Applicator

Abmessungen

Breite:	70 mm
Höhe:	150 mm
Tiefe:	180 mm
Masse:	4,3 kg

Side-Feed Applicator

Abmessungen

Breite:	150 mm
Höhe:	150 mm
Tiefe:	110 mm
Masse:	3,9 kg

Verarbeitbare Kontakte

- Endgeführte Crimp-Kontakte
- Seitengeführte Crimp-Kontakte

Product Features

- Based upon field proven HDM design for long life and consistent, high-quality terminations
- Competitively priced with lease options available
- Quick change design allows for minimal downtime
- Independent wire and insulation crimp adjustments
- Available for a wide variety of products
- Only one tool set for maintenance

Technical Data

End Feed Applicator

Dimensions

Width:	70 mm
Height:	150 mm
Depth:	180 mm
Mass:	4.3 kg

Side Feed Applicator

Dimensions

Width:	150 mm
Height:	150 mm
Depth:	110 mm
Mass:	3.9 kg

AMP Products which can be Processed

- End feed crimp contacts
- Side feed crimp contacts

Application Tooling and Equipment

HD-I Applicator

Exceptional Value without Quality Compromise

The lead and harness industry of today is more price and quality competitive than ever before. The AMP Heavy Duty-Industrial (HD-I) applicator was designed specifically to meet these demands.

Based upon the 50 years of field proven experience of the Heavy Duty Mini (HD-M), the HD-I is a competitively priced applicator that is designed to provide consistent, high-quality terminations, year after year.

HD-I applicators are available for both end and side feed applications. An innovation in the cam design allows for use in both English ($1\frac{1}{8}$ " and $1\frac{5}{8}$ ") and metric (30 mm and 40 mm) stroke presses. This allows the HD-I to be compatible with many terminators including AMP "K", "G", "T" and 45° designs as well as Mecal, Hanke, Schaefer and many others.

Improvements have been made in the feed track to add flexibility and reduce cost. The result is a more versatile design at a lower price without compromising durability or performance.

The new design incorporates common parts to allow or less inventory of spare while also improving accessibility or adjusting. Also improvements in the feed provide finer adjust for higher level of crimp precision.

All HD-I applicators are completely metric. This provides the convenience of a single set of tooling to adjust and perform maintenance. Also, a new plating finish is used to provide greater resistance to corrosion.

HD-I Applicators are available in a variety of configurations.

Applicators are available to chop the carrier strip or allow it to continue on to a scrap cutter. Also, spare parts kits are available using a simple part numbering system. Finally, a customer can opt for an optional cycle counter to monitor applicator maintenance and tooling life.

Verarbeitungs-Werkzeuge und -Maschinen (Fortsetzung)

MQC- und HD-Applicator

Für End- oder Seitengeführte Kontakte mit/ohne Crimphöhen-Feineinstellung

Diese Applicator crimpen Kontakte einzeln an abisolierte Leiterenden. In der jeweiligen Crimpmaschine erfolgt die Fixierung des entsprechenden Applicators über eine T-Nutenführung. Klemmbacken sichern ihn auf der Aufnahmeplatte der Maschine.

Die Kontakte werden in der Crimpposition während des Maschinenzklus von Messern vereinzelt.

Mit der Crimphöhen-Feineinstellung lassen sich die Applicator leicht an unterschiedliche Crimpmaschinen anpassen. Die Feineinstellung erleichtert das Korrigieren der Differenz zwischen Soll- und Ist-Crimphöhe auf schnelle und unkomplizierte Weise.

Für die Feineinstellung ist am Applicator eine Scheibe vorgesehen, die sich von der Grundeinstellung aus $\pm 0,09$ mm in sechs weitere Stellungen drehen und einrasten läßt. Pro Raststellung verkleinert oder vergrößert sich die Crimphöhe um 0,03 mm.



Produkt-Merkmale

- Einstellen des Kontakt-Vorschubes mittels Einstellschraube
- Zentrieren der Kontakte auf dem Anboß und Einstellen des Bellmouth mittels Streifenführung
- Wahlweise mit Luftvorschub oder mit mechanischem Vorschub erhältlich
- Wahlweise mit oder ohne Crimphöhen-Feineinstellung erhältlich

Technische Daten

Masse des Applicator:
max. 4,4 kg

Druckluftversorgung für Applicator mit Luftvorschub:
600 kPa

Leitungsgrößenbereich:
variabel

Crimphöhen-Feineinstellung

- Feineinstellung der Crimphöhe erfolgt in Schritten von 0,03 mm
- Einstellbereich insgesamt $\pm 0,09$ mm

Verarbeitbare Kontakte

- Endgeführte Crimp-Kontakte
- Seitengeführte Crimp-Kontakte

Product Features

- Adjustment of the terminal feed via an adjustment screw
- Centering the terminals on anvil and adjustment of bellmouth via the strip guide
- Available either with air feed or mechanical feed
- Available either with or without integrated crimp height fine adjustment

Technical Data

Applicator Mass:
4.4 kg max.

Compressed Air Supply for Applicators with Air Feed:
600 kPa

Wire Cross Section:
various

Crimp Height Fine Adjustment

- Fine adjustment of crimp height in three steps of 0.03 mm
- Adjustment area total ± 0.09 mm

AMP Products which can be Processed

- End feed crimp contacts
- Side feed crimp contacts

Application Tooling and Equipment (continued)

MQC- and HD-Applicator

For End Feed and Side Feed Terminals with/without Crimp Height Fine Adjustment

These tools crimp contacts individual to stripped wire ends. The relevant applicator is fixed in the crimp machine above a T groove and secured by clamps on the locator plate.

Then the contacts are moved to the correct crimping position. Knives separates the contacts during the machine cycle.

With the crimp height fine adjustment it is possible easily to adapt the applicators to different crimp machines.

The crimp height fine adjustment facilitates the correction of difference between the nominal and actual crimp height in a speedy and uncomplicated manner.

The fine adjustment disc can be turned from the nominal marking in each direction by three steps. The crimp height is decreased or increased by 0.03 mm per locking step.

Verarbeitungs-Werkzeuge und -Maschinen (Fortsetzung)

Entry Level Terminator

Optimales Preis-/Leistungsverhältnis für Leitungsquerschnitte bis zu 2,5 mm²

Der Entry Level Terminator vereint hohe und solide Leistungsfähigkeit mit einem wettbewerbsfähigen Preis.

Ein DC-Motor mit Getriebe treibt den ELT an. Dieser benötigt wenig Platz und ist im Betrieb schnell und leise.

Geeignet für Anwendungen, die höchste Crimpkraft erfordern, läßt er sich bequem und leicht bedienen.

Die Standardausführung des ELT wird den allgemeinen üblichen Anforderungen der meisten Kunden gerecht.

Ein großer Bereich von optionalem Zubehör, wie Zykluszähler und Arbeitsleuchte, macht den ELT zu einer leistungsfähigen, flexiblen Crimpmaschine, die den spezifischen Erfordernissen der verschiedensten Anwendungen Rechnung trägt und das bei einem akzeptablen Preis, denn: Was Sie nicht brauchen, müssen Sie auch nicht kaufen.

Zusätzliche Ausrüstung zum Ändern des Hub-Bereiches für Modelle mit 30 mm Hub und ein pneumatischer Anbausatz für luftbetriebene Crimpwerkzeuge steht zur Verfügung.

Alle Schutzabdeckungen lassen sich ohne Werkzeug entfernen, was evtl. notwendige Wartungs- und Einstellarbeiten erheblich erleichtert und beschleunigt.

Auch das Umrüsten der Maschine zum Verarbeiten weiterer Crimpkontakte kann dadurch einfach und schnell erfolgen.

Produkt-Merkmale

- Geeignet für hochleistungsfähige, austauschbare Crimpwerkzeuge
- Wahlweise Einstellung für verschiedene Leitungsgrößen und Isolierungsdurchmesser
- Crimphöhen-Feineinstellung
- CQM-fähig
- Schneller und leiser Maschinentzyklus
- Lange Lebensdauer
- Kleine Stellfläche



Technische Daten

Masse:

65 kg

Elektrischer Anschluß:

100 V / 240 V
50 Hz / 60 Hz

Druckluftanschluß für Crimpwerkzeuge mit Luftvorschub:

620–690 kPa

Crimpkraft:

max. 15 kN

Zykluszeit:

< 0,4 Sekunden

Schalldruckpegel:

< 76 dB (A)

Verarbeitbare Kontakte

- Seitengeführte Crimp-Kontakte
- Endgeführte Crimp-Kontakte

Technical Data

Mass:

65 kg

Electrical Supply:

100 V / 240 V
50 Hz / 60 Hz

Compressed Air for Applicators with Air Feed:

620–690 kPa

Crimp Force:

15 kN max.

Cycle Time:

< 0.4 seconds

Sound Pressure Level:

< 76 dB (A)

AMP Products which can be Processed

- Side feed crimp contacts
- End feed crimp contacts

Application Tooling and Equipment (continued)

Entry Level Terminator

Excellent Value for Money for Wire Cross Sections up to 2.5 mm²

As a value oriented terminator, the ELT is designed for customers, who require the increased output and quality of a semi-automatic machine at a competitive price.

By incorporating the most commonly requested features as standard and offering a long list of optional equipment, the ELT offers flexibility to meet the specific needs of various applications at the lowest possible cost.

The ELT uses a DC motor with gearbox drive. The result is a small-footprint design that is fast and quiet.

With a crimp force capacity of 3,000 pounds, the ELT is available for all but the highest crimp force applications.

The ELT was designed with speed, convenience, and easy of use in mind.

The design accepts all industrial standard mini style applicators and optional kits are available to accept other applicator platforms (30 mm stroke only).

The terminator guards and applicators can be removed without tools.

A wide range of optional equipment is also available to meet your specific application requirements.

By offering features such as tool-less precision crimp height adjust, CQM capability, batch counter and a work light as options, the ELT can be tailored to the specific application requirements without inflating the price for unwanted features.

Product Features

- Quickly and simply maintenance and product changes
- Crimp height fine adjustment
- CQM capable
- Quiet and fast operation
- Long life
- Small space requirements

Verarbeitungs-Werkzeuge und -Maschinen (Fortsetzung)

G-Terminator

Crimpmaschine mit und ohne CQM

Mit dem G-Terminator und den entsprechenden Crimpwerkzeugen, HD-I, HD-M, lassen sich seiten- oder endgeführte Crimpkontakte effizient und rationell mit Einzelleitern verbinden. Ein Maschinenzyklus dauert maximal 500 ms.

Das CQM-Crimpüberwachungssystem eignet sich ideal als Basisausstattung zur Qualitätsüberwachung der hergestellten Crimpverbindungen.

Der CQM wertet präzise aus, bei welchen Crimpverbindungen die Crimphöhe innerhalb der Toleranzgrenze für elektrisch sichere Verbindungen liegt, und bei welchen Crimpverbindungen die Crimphöhe den Anforderungen nicht entspricht.

CQM mißt bei jedem Crimp Crimpkraft und Crimphöhe und wertet die Differenz zwischen dem hergestellten Crimp und dem Referenzcrimp aus. Diskrepanzen meldet CQM akustisch mit einem Signalton und optisch mit einer roten LED.

Im G-Terminator ist standardmäßig eine Crimphöhen-Feineinstellung integriert. Damit läßt sich die Crimphöhe manuell um jeweils 0,0125 mm vergrößern oder verkleinern.

Mit dem Einsatz von Schnellwechsel-Werkzeugen (MQC-Applicator) ist ein vielseitigen Anwendungsbereich der Maschine garantiert. Zudem entstehen durch die schwenkbare Rollenhalterung und die Kontaktauführung nur sehr kurze Rüstzeiten.

Der Maschinenzklus wird mittels Fußschalter ausgelöst.

Produkt-Merkmale

G-Terminator

- Hohe Maschinenleistung
- Sehr kurze Rüstzeiten
- Crimphöhen-Feineinstellung
- Integrierte, voll-programmierbare Micro-Prozessor-Steuerung
- LCD Display für Bedienung und für Servicemeldungen

CQM Crimp Quality Monitor

- Überwacht Crimphöhe und Crimpkraft-Verlauf
- Einfach zu bedienen
- Leistungsfähig und preiswert
- Unabhängig vom Werkzeug einsetzbar



Technische Daten

Abmessungen

Breite: 680 mm
Höhe: 500 mm ohne Kontaktrolle
 820 mm mit Kontaktrolle
Tiefe: 630 mm

Masse:
110 kg

Antrieb:
Elektrisch gesteuerter AC Motor über Konverter

Elektrischer Anschluß:
230 V AC / 110 V AC
50 Hz / 60 Hz

Stromverbrauch:
4 A

Druckluftanschluß für Werkzeuge mit Luftvorschub:
600 kPa, staub- und ölfreie Luft

Crimpkraft:
ca. 22 kN

Schalldruckpegel:
< 76 dB (A)

Zykluszeit:
< 500 ms

Leitungsgrößenbereich:
bis zu 6 mm²

Verarbeitbare Kontakte

- Seitengeführte Crimp-Kontakte
- Endgeführte Crimp-Kontakte

Technical Data

Dimensions

Width: 680 mm
Height: 500 mm without contact reel
 820 mm with contact reel
Depth: 630 mm

Mass:
110 kg

Drive:
Electrical AC motor via frequency converter

Power Supply:
230 V AC / 110 V AC
50 Hz / 60 Hz

Current Consumption:
4 A

Compressed Air Supply for Applicators with Air Feed Mechanism:
600 kPa, oil free air

Crimp Force:
approx. 22 kN

Sound Pressure Level:
< 76 dB (A)

Cycle Time:
< 500 ms

Wire Cross Section:
up to 6 mm²

AMP Products which can be Processed

- Side feed crimp contacts
- End feed crimp contacts

Application Tooling and Equipment (continued)

G-Terminator

Crimp Machine with and without CQM

The G-Terminator – in conjunction with crimp tools, such as HD-I, HD-M – allows the efficient production of crimp connections. The operation cycle of the termination machine is < 500 ms.

The CQM crimp monitoring system is ideally suited to ensure the quality of your crimp connections.

It is very easy to use and offer good value for money.

CQM measures the crimp height and force for each crimp and checks the difference between the produced crimps and the reference crimps. As soon as a discrepancy is discovered, the operator is warned by means of a red LED and an acoustic signal.

The G-Terminator is fitted as standard with crimp height fine adjustment. The fine adjustment allows the crimp height to be adjusted manually in increments of 0.0125 mm.

The use of Miniature Quick Change Applicators (MQC), the swivelling reel arm, and contact feed for end feed and side feed terminals, result in very short set up times.

The machine cycle is initiated with a foot switch.

Product Features

G-Terminator

- High production output
- Very short set up times
- Crimp height fine adjustment
- Integrated fully-programmable micro-processor control
- LCD Display for operating modes and service messages

CQM Crimp Quality Monitor

- Monitors the crimp height and the force curve
- Simple operation
- Efficient operation at a low cost
- Independent of applicators

Verarbeitungs-Werkzeuge und -Maschinen (Fortsetzung)

Stripper Crimper Machine PP3

Pneumatische Abisolier- und Crimpmaschine

Die halbautomatische PP3 SL Abisolier- und Crimpmaschine mit pneumatischer Steuerung verarbeitet alle geeigneten bandgegurteten Kontakte im Leitungsgrößenbereich von 0,05 mm² bis 1,5 mm². Besonders bietet sich die Maschine zum Verarbeiten extra kleiner Querschnitte und filigraner Kontakt-Typen an.

Die Maschine besteht aus:

- Kontakt-Transport
- Abisolier-Einheit
- Crimp-Werkzeug
- Pneumatischer Antrieb
- Sensorauslösung
- Fußschalter, optionales Zubehör

Crimp-Maschine

Ein pneumatisch gesteuerter Hebel-Mechanismus treibt die Crimpmaschine an. Dadurch wird der Maschinenzyklus kontrolliert ausgelöst.

Ober- und Unterwerkzeug bewegen sich separat.

Sowohl Werkzeugwechsel als auch Einstellungen für die Verarbeitung verschiedener Crimpkontakte erfolgen in kürzester Zeit.

Crimp-Werkzeuge

End- und seitengeführte Werkzeuge

Masse:

ca. 1 kg

Das Crimpwerkzeug ist eine eigenständige, komplette Komponente. Für spezielle Erfordernisse kann es durch ein anderes entsprechendes Crimpwerkzeug ersetzt werden.



Application Tooling and Equipment (continued)

Stripper Crimper Machine PP3

Pneumatic Stripping and Crimping Machine

The semi-automatic PP3 SL stripping and crimping machine with pneumatic sequence control is used to strip stranded wires within the cross section range of 0.05 mm² to 1.5 mm² and simultaneously crimp electrical terminals in strip form.

The Machine consists of:

- Reel support arm
- Stripper unit
- Pneumatic drive
- Crimping tool and
- Ejector
- Foot switch, optionally accessory

Product Features

- Pneumatically controlled semi-automatic machine
- Stripping and crimping in one process
- Continuously adjustable crimp height
- Use of exchangeable tools: tool replacement in approx. 5 minutes

Technical Data

Wire Cross Section:

0.05–1.5 mm²

Stripping Length:

12 mm max.

Stripping Length of Outer Cover:

18 mm min.

Length with Single Wire:

28 mm min.

Stripping and Crimping Performance:

1500–2000 per hour

Connection to Air Service Unit:

R 1/8"

Compressed Air Pressure:

Internally: 400–600 kPa

Dimension without Reel Holder:

L x W x H: 130 mm x 180 mm x 330 mm

Mass: 16 kg

Sound Pressure Level:

75 dB (A)

Produkt-Merkmale

- Halbautomatische Maschine
- Abisolieren und Crimpen in einem Arbeitsgang
- Spezialmesser für Leitungsisolierungen wie Teflon, Glasfaser usw. optional erhältlich
- Crimphöhe stufenlos einstellbar
- Schneller Werkzeugwechsel

Technische Daten

Leitungsgrößenbereich:

0,05–1,5 mm²

Abisolierlänge:

max. 12 mm

Abmantellänge:

min. 18 mm

Einlegelänge:

min. 28 mm

Maschinenleistung:

1500–2000 Crimpverbindungen pro Std.

Druckluftanschluß:

1/8" Gewinde

Arbeitsdruck:

400–600 kPa

Abmessungen ohne Rollenhalter:

L x B x H: 130 mm x 180 mm x 330 mm

Masse: 16 kg

Schalldruckpegel:

75 dB (A)

Crimping Machine

The crimping machine is driven by a toggle lever mechanism. The upper and lower parts of the tool move towards each other.

The press movement controlled by the toggle switch is fast initially and ends in a relatively slow but powerful deformation of the crimping barrel.

The tool change and the adjustment of the machine or the re-tooling for another connector can be carried out in only a few minutes.

Tools

Tool with Lateral Feed:

End feed

Tool with Cross Feed:

Side feed

Mass:

approx. 1 kg

The crimping tool as a complete unit and its components can be replaced individually.

Verarbeitungs-Werkzeuge und -Maschinen (Fortsetzung)

Crimp Terminator komax BT 711

Ein Crimpmodul mit vielen Pluspunkten

Die komax BT 711 ist ein Crimpmodul für höchste Ansprüche. Das Modul erzeugt mit 20 kN genügend Kraft für die Verdringung von Leitungen bis 6 mm² Querschnitt. Die Dimensionen sind so gewählt, daß alle handelsüblichen Crimpwerkzeuge einsetzbar sind.

Um Kundenwünsche optimal abzudecken, haben wir uns folgende Ziele gesetzt:

- Hoher Bedienkomfort
- Integrierte Qualitätsüberwachung
- Integrierte Schnittstellen für Zubehör
- Weltweite Flexibilität
- Bestes Kosten-/Nutzen-Verhältnis

Hoher Bedienkomfort

Die Parametrisierung von Crimpmaschine und CFA erfolgt komfortabel über das Bediengerät OMI. Bei einem Schlecht-Crimp stoppt die Crimpmaschine und ein kräftiges Summer-Signal ertönt.

Integrierte Qualitätsüberwachung

Die integrierte Crimpkraftüberwachung CFA (Crimp Force Analyser) wurde nach den aktuellsten technischen Erkenntnissen entwickelt. Die raffinierte 3-Zonen-Auswertung ergibt eine äußerst zuverlässige Gut-/Schlecht-Separierung mit detaillierter Fehlerangabe.

Weltweite Flexibilität

Wir erachten es als starkes Argument, daß die BT 711 an verschiedene Spannungsnetze angeschlossen werden kann. Die Hubverstellung kann zwischen 10 mm und 40 mm programmiert werden.

Optionen

- Abisoliereinheit SC-11
- Schlecht-Kontaktschneider
- CFA Kalibriereinheit

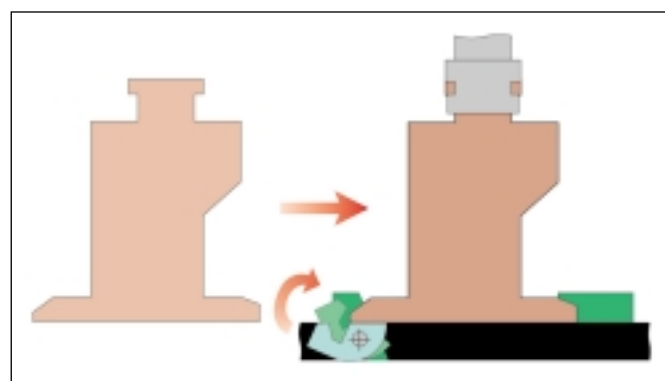
und erst noch ...

- Passwortunterstützte Bedienoberfläche
- Schutzhaube mit zweikanaliger RCS-Logik überwacht
- Notstopp-Pilz
- Fußpedal zum Auslösen des Crimpvorgangs
- Integrierte Arbeitsleuchte



Technische Daten

- **Preßkraft:** 20 kN
- **Querschnittsbereich:** bis 6 mm²
- **Hubverstellung:** programmierbar von 10–40 mm
- **Crimpkraftüberwachung:**
 - RAM-Adapter mit integr. CFA-Sensor
 - mehrstufige Auswertung über drei Meßzonen
 - Kalibriermöglichkeit für Absolutkraftmessung in kN
 - CFA 326- und MCI 711-kompatibel
- **Kommunikation:**
 - OMI-Bediengerät
 - I/O Summer
 - Optische Gut-/Schlecht-Anzeige
 - Fußpedal
- **Elektrischer Anschluß:**
 - 1 x 230 V nom. (1 x 180–260 V) 50–60 Hz
 - 1 x 115 V nom. (1 x 90–130 V) 50–60 Hz
- **Abmessungen (B x H x T):** 700 mm x 750 mm x 500 mm
- **Masse:** ca. 110 kg



Application Tooling and Equipment (continued)

Crimp Terminator komax BT 711

A Crimping Module with so Many Pluses

The komax BT 711 is a crimp module for the most demanding applications. The module produces 20 kN, enough force to crimp wires up to 6 mm² in size, and is dimensioned to be compatible with all standard commercial crimping tools.

We have set the following goals in order to cover customer requirements in an optimum manner:

- High level of operating convenience
- Integrated quality monitoring
- Integrated interfaces for accessories
- World-wide flexibility
- Top value for the money

High Level of Operating Convenience

The parameters of the crimp machine and CFA can be conveniently set using the OMI (operator machine interface). If a bad crimp is produced, the crimp machine stops and a buzzer goes off.

Integrated Quality Monitoring

The CFA is an integrated crimp force analyzer developed acc. to the latest findings. A refined 3-zone analysis ensures excellent reliability in good/bad separation and provides a detailed account of any errors.

World-Wide Flexibility

We consider a strong selling point to be that the BT 711 is connectable to different voltage networks. The stroke setting is programmable between 10 and 40 mm.

Options

- SC-11 stripper
- Bad-contact cutter
- CFA calibration unit

... not to mention

- Password-supported user interface
- Safety cover monitored by two-channel RCS logic
- Emergency stop button
- Foot pedal to trigger the crimping process
- Integrated operating lamp

Verarbeitungs-Werkzeuge und -Maschinen (Fortsetzung)

SCAT Stripper Crimper komax BT 700

Wirtschaftliche Alternative zum „Strippen-Sealen-Crimpen“

Handarbeitsplatz

Die komax BT 700 ist ein robuster Handarbeitsplatz, der für die zuverlässige Verarbeitung von verdrehten Leitungen oder mehradrigen Kabeln konzipiert ist.

Wirtschaftliches Arbeiten

Mit drei Verarbeitungsmöglichkeiten in einem Gerät – Abisolieren, Tüllenbestückung sowie Crimpen – bietet die BT 700 eine wirtschaftliche Alternative zu vollautomatischen Maschinen. Das bewährte komax Tüllen-Bestückungskonzept, sowie andere herausragende Details erlauben dem Bediener ein speditives, einfaches Arbeiten.

Zugänglichkeit

Die nach oben öffnende Schutzhaube ermöglicht eine optimale Zugänglichkeit.

Bedienerfreundlichkeit

Mit dem Bedienpanel OMI lassen sich über zwei Steuertasten und ein digitales Potentiometer sämtliche Maschinenfunktionen einstellen. Auf dem übersichtlichen grafikfähigen LC-Display werden alle produktions- und qualitätsrelevanten Daten dargestellt.

Sicherheit

Das integrierte 2-Kanal Sicherheitssystem RCS (Redundant-Control-System) garantiert zusammen mit der robusten Schutzhaube hohe Sicherheit für den Bediener.

Zubehör

Crimpkraftüberwachung, Werkzeugschnellschnellsystem und OMI sind bereits standardmäßig in der Maschine integriert. Für das Arbeiten mit der BT 700 ist außer der tüllenabhängigen Applikation kein weiteres Zubehör notwendig.

Große Flexibilität

Stripper

- Rasche und präzise Einstellung der Einlege- und Abisolierposition
- Wählbare Funktionen wie Referenzschneiden und Terminalabtrennen
- Zuverlässige Abfallentsorgung

Sealer

- Schnelles Umrüsten in weniger als 4 Minuten durch tüllenspezifisches Kit
- Neue, zweiteilige Tüllen-Applikation mit Einsparungen bereits ab der zweiten Applikation
- Applikationsset kompatibel zu MCI 761
- Applikationsset unabhängig von Netzspannung und -frequenz

Crimper

- Integrierte Crimpkraftüberwachung CFA
- Alle Möglichkeiten einer MCI 711 Presse
- Programmierbarer Hub bis 40 mm
- Kriechgang zum Einrichten



Diverse Vorteile

- Integrierte 3-Zonen Crimpkraftüberwachung
- Hohe Produktionsleistung
- Kurze Umrüstzeit dank den Schnellverschlüssen bei den Tüllenbestückungswerkzeugen und mitgeliefertem Werkzeug-Schnellschnellsystem
- Voll-programmierbare Presse mit Hub von 10 bis 40 mm
- Innovative Bedieneroberfläche OMI
- Zuverlässige Verarbeitung schwieriger Kabel dank Formabisoliermesser
- Genaues Verarbeiten von verdrehten und mehradrigen Kabeln dank Genau-schneiden vor dem Abisolieren
- Grundkonfiguration beinhaltet bereits Crimpkraft-Überwachung, Werkzeug-schnellschnellsystem, OMI-Bedienkonsole und vieles mehr

Technische Daten

Abmessungen (B x H x T):
500 mm x 800 mm x 920 mm

Masse: ca. 200 kg

Preßkraft: 20 kN

Hubverstellung:
10–40 mm programmierbar

Tüllendaten (max.):
Durchmesser 10 mm, Länge 8 mm

Abmantellänge: 35 mm

Abisolierlänge: 1–10 mm

Leitungsquerschnitt:
– Crimpen 0,2–6 mm²
– Abisolieren bis 4 mm²
– Terminalabtrennen bis 2 mm²

Zykluszeit: ca. 2,1sec.

Elektrischer Anschluß (umschaltbar):
1 x 115 V nom. (1 x 90–130 V) 50/60 Hz
1 x 230 V nom. (1 x 180–260 V) 50/60 Hz

Pneumatischer Anschluß: 5–8 bar

A Number of Advantages

- Integrated 3-zone crimp force monitoring
- High production output
- Short conversion time thanks to quick-release locks in the seal applicators and the quick-clamping system for tools which is included in the delivery
- Fully-programmable press with a stroke from 10 to 40 mm
- Innovative user interface (OMI = Operator-Machine Interface)
- Reliable processing of difficult types of wires thanks to form stripping knives
- Precise processing of twisted wires and multi-core wires thanks to precision cutting prior to stripping
- Basic configuration already includes crimp force monitoring, quick-clamping system for tools, OMI control panel and much more

Technical Data

Dimensions (B x H x T):
500 mm x 800 mm x 920 mm

Mass: approx. 200 kg

Crimping Force: 20 kN

Stroke Range:
10–40 mm programmable

Seal Data (max.):
Diameter 10 mm, Length 8 mm

Jacket Stripping Length: 35 mm

Stripping length: 1–10 mm

Wire Cross Section:
– Crimping 0.2–6 mm²
– Stripping up to 4 mm²
– Terminal cut-off up to 2 mm²

Cycle Time: approx. 2.1 seconds

Power (Switchable):
1 x 115 V rated (1 x 90–130V) 50/60Hz
1 x 230 V rated (1 x 180–260V) 50/60Hz

Compressed Air: 5–8 bar

Application Tooling and Equipment (continued)

SCAT Stripper Crimper komax BT 700

The Economical Alternative for “Stripping-Sealing-Crimping”

Manual Work Station

The komax BT 700 is a sturdy manual work station, designed among other things, to ensure the reliable processing of twisted conductors or multi-core cables.

Efficient Processing

With its combination of three processes in a single device, namely, stripping, seal application and crimping, the BT 700 is an economical alternative to fully automatic machines. Backed by the proven komax seal application concept and other outstanding details, the user can work quickly and easily with this device.

Accessibility

The safety cover opens upward, allowing optimum accessibility.

User Friendliness

With the OMI control panel, all machine functions can be adjusted using two control keys and a digital potentiometer. All data relevant to production and quality are presented on a clearly arranged, graphics-capable LC display.

Safety

The safety system is an integrated 2-channel RCS (Redundant Control System) which, together with the sturdy safety cover, guarantees the user a high level of safety when operating the device.

Accessories

Crimp force monitoring, tool quick-clamping system and OMI are already integrated as standard equipment. No other accessories are needed for working with the BT 700 other than the applications which vary according to the seal involved.

Great Flexibility

Stripper

- Fast and precise setting of the put-in and stripping position
- Selectable functions such as reference cutting and terminal cutoff
- Reliable disposal of scraps

Sealer

- Fast conversion in less than 4 minutes with seals application kit
- New two-part seal application already yields savings after the second application
- Application set compatible with MCI 761
- Application set independent of mains voltage and frequency

Crimper

- Integrated crimp force analyzer
- All capabilities of an MCI 711 press
- Programmable stroke of up to 40 mm
- Creep feed for setup

Verarbeitungs-Werkzeuge und -Maschinen (Fortsetzung)

ERGOCRIMP

Ergonomische Handzange für Crimpkontakte

Die ERGOCRIMP Handzange ist eine Weiterentwicklung des bestehenden Crimp-Handzangen-Sortiments der Fa. AMP.

Sie überzeugt durch ihre durchdachte Konstruktion, die eine Schließbewegung der Crimpbacken bei reduziertem Kraftaufwand ermöglicht.

Ihre ergonomische Gestaltung ist der natürlichen Handbewegung angepaßt.

Durch die Anordnung des Drehpunktes wird eine nahezu parallele Schließbewegung der Crimpbacken erreicht. Das gewährleistet einen exakten Crimpvorgang, der für eine hohe Crimp-Präzision und eine spezielle Formgebung der Kontakte unerlässlich ist.

Mit der neu gestalteten Hebelübersetzung reduziert sich die von Hand aufzubringende Kraft gegenüber handelsüblichen Handzangen bis zu 30%.

Die integrierte Ratsche gewährleistet einen vollständigen Crimpzyklus. Erst wenn die Crimpbacken vollständig geschlossen sind, öffnet sich die Verriegelung. Jetzt läßt sich der Steckverbinder entnehmen.

Eine Einrichtung zum exakten Positionieren gedrehter Kontakte und nicht-isolierter Kabelschuhe erleichtert den Crimpvorgang.

Die Crimphöhe ist einstellbar.

Durch ihre optimale Schwerpunktlage läßt sich die Zange gut handhaben.



Produkt-Merkmale

- Wechselbare Crimpmatrizen
- Paralleler Crimpvorgang
- Geringerer Kraftaufwand gegenüber herkömmlichen Handzangen
- Ergonomische Gestaltung

Technische Daten

Länge:
200 mm

Breite bei geöffneten Crimpbacken:
77 mm

Crimpbacken-Hub:
16–20 mm

Masse:
530 g

Leitungsgrößenbereich:
0,2–6,0 mm²

Verarbeitbare AMP Produkte

- Eine breite Palette verschiedener Kontakte, u. a. COAX-Kontakte, gedrehte Kontakte sowie isolierte und nicht-isolierte Kabelschuhe

Product Features

- Exchangeable crimp inserts
- Straight crimping action
- Reduced handle force
- Ergonomic design

Technical Data

Length:
200 mm

Handle Opening Width:
77 mm

Jaw Stroke:
16–20 mm

Mass:
530 g

Wire Cross Section:
0.2–6.0 mm²

AMP Products which can be Processed

- Wide range of various contacts, among other things COAX connectors, screw machined contacts, insulated terminals and non-insulated terminals

Application Tooling and Equipment (continued)

ERGOCRIMP

Ergonomic Hand Tool for Crimp Contacts

The ERGOCRIMP hand tool is a continued development of the existing AMP crimp hand tool range.

The ERGOCRIMP hand tool impresses with its well thought-out design which provides a nearly parallel closing movement, reduced hand force and ergonomic handling.

The handling was matched to the natural hand movement.

By shifting the centre of rotation the closing movement of the jaws is virtually parallel.

This provides the advantage of parallel pressing which is required with high precision crimping and special shapes of connectors.

The new design of lever ratio reduces the hand force required by up to 30% in comparison to commonly available tools.

Due to the integrated ratchet mechanism the user is forced to complete the crimping cycle. This ensures a reliable crimped connection in accordance with DIN standards.

Positioning aids for an exact positioning of turned contacts and non-insulated connectors make the crimping process easier.

The crimp height is adjustable.

The optimised centre of gravity position ensures ergonomic handling.

**Verarbeitungs-Werkzeuge
und -Maschinen**
(Fortsetzung)

**Application Tooling
and Equipment**
(continued)

Referenzliste ERGOCRIMP Handzangen und Matrizen
Reference List ERGOCRIMP Hand Tools and Dies

Kontakt-Bezeichnung <i>Contact Description</i>	Kontakt- Bestell-Nummer <i>Contact Part Number</i>	ERGOCRIMP Matrize <i>Die Set</i>
Basishandzange/Basic Hand Tool	–	539635-1
Junior Power Timer	927776	539744-2
Junior Power Timer	927777	539674-2
Junior Power Timer	927779	539674-2
Junior Power Timer	927780	539744-2
Junior Power Timer	927781	539674-2
Junior Power Timer	927783	539674-2
Junior Power Timer	928810	539674-2
Junior Power Timer	928876	539674-2
Junior Power Timer	963885	539674-2
Junior Power Timer	964279	539664-2
Junior Power Timer	964283	539664-2
Junior Power Timer	964346	539664-2
Junior Power Timer	967260	539744-2
Junior Power Timer / EDS	929929	539737-2
Junior Power Timer / EDS	929930	539737-2
Junior Power Timer / EDS	929931	539737-2
Junior Power Timer / EDS	929938	539737-2
Junior Power Timer / EDS	929940	539737-2
Junior Power Timer / EDS	929942	539737-2
Junior Power Timer / EDS	964281	539650-2
Junior Power Timer / EDS	964285	539650-2
Junior Power Timer / EDS	964287	539650-2
Junior Timer	925596	539687-2
Junior Timer	925597	539687-2
Junior Timer	925622	539687-2
Junior Timer	925623	539687-2
Junior Timer	925871	539687-2
Junior Timer	927846	539742-2
Junior Timer	927857	539742-2
Junior Timer	927872	539744-2
Junior Timer	927973	539687-2
Micro Timer	929927	539739-2
Micro Timer	929951	539739-2
Micro Timer	929953	539739-2
Micro Timer	929955	539739-2
Micro Timer	962944	539663-2
Micro Timer	962945	539663-2
Micro Timer	964262	539663-2
Micro Timer	964264	539663-2
Micro Timer	964349	539663-2
Micro Timer	965915	539663-2
Micro Timer	969023	539663-2
Micro Timer / EDS	963710	539651-2
Micro Timer / EDS	963711	539651-2
Micro Timer / EDS	964275	539663-2
Micro Timer / EDS	969019	539663-2
Micro Timer / EDS	1241731	539663-2
Micro Timer / EDS	1241733	539663-2
Standard Power Timer	927825	539734-2
Standard Power Timer	927828	539733-2
Standard Power Timer	927830	539756-2
Standard Power Timer	927832	539756-2
Standard Power Timer	927834	539733-2
Standard Power Timer	927838	539756-2
Standard Power Timer	928989	539733-2
Standard Power Timer	964321	539665-2
Standard Power Timer	964323	539665-2
Standard Power Timer	964325	539665-2

Kontakt-Bezeichnung <i>Contact Description</i>	Kontakt- Bestell-Nummer <i>Contact Part Number</i>	ERGOCRIMP Matrize <i>Die Set</i>
Standard Power Timer	964327	539665-2
Standard Power Timer	1241826	539756-2
Standard Power Timer / EDS	929922	539736-2
Standard Power Timer / EDS	929923	539736-2
Standard Power Timer / EDS	929924	539736-2
Standard Power Timer / EDS	969041	539666-2
Standard Power Timer / EDS	969043	539666-2
Standard Power Timer / EDS	969045	539666-2
Standard Timer	827808	539687-2
Standard Timer	925598	539687-2
Standard Timer	925613	539687-2
Standard Timer	926007	539687-2
Standard Timer	926008	539687-2
Standard Timer	926985	539744-2
Standard Timer	927848	539742-2
Standard Timer	927850	539742-2
Standard Timer	927880	539687-2
Standard Timer	927936	539687-2
Standard Timer	927937	539687-2
Standard Timer	928804	539750-2
Standard Timer	928805	539750-2
Standard Timer	1241823	539742-2
Standard Timer	1241824	539742-2
Standard Timer	1241825	539687-2
TAB 1,6 mm	963899	539663-2
TAB 1,6 mm	963901	539663-2
TAB 1,6 mm	964266	539663-2
TAB 1,6 mm	964268	539663-2
TAB 1,6 mm / EDS	963712	539651-2
TAB 1,6 mm / EDS	963713	539651-2
TAB 1,6 mm / EDS	963903	539651-2
TAB 1,6 mm / EDS	963905	539651-2
TAB 1,6 mm / EDS	964270	539663-2
TAB 1,6 mm / EDS	969029	539663-2
TAB 2,8 mm	963745	539758-2
TAB 2,8 mm	963746	539758-2
TAB 2,8 mm	964291	539664-2
TAB 2,8 mm	964293	539664-2
TAB 2,8 mm	964295	539664-2
TAB 2,8 mm / EDS	963748	539758-2
TAB 2,8 mm / EDS	963749	539758-2
TAB 2,8 mm / EDS	964297	539650-2
TAB 2,8 mm / EDS	964299	539650-2
TAB 2,8 mm / EDS	964301	539650-2
TAB 5,8 mm	963737	539759-2
TAB 5,8 mm	963740	539759-2
TAB 5,8 mm	963741	539759-2
TAB 5,8 mm	964303	539665-2
TAB 5,8 mm	964305	539665-2
TAB 5,8 mm	964307	539665-2
TAB 5,8 mm	969008	539665-2
TAB 5,8 mm / EDS	963742	539757-2
TAB 5,8 mm / EDS	963743	539757-2
TAB 5,8 mm / EDS	963744	539757-2
TAB 5,8 mm / EDS	964309	539666-2
TAB 5,8 mm / EDS	964311	539666-2
TAB 5,8 mm / EDS	964313	539666-2

Verarbeitungs-Werkzeuge und -Maschinen (Fortsetzung)

CERTI-LOK

Handzange mit auswechselbaren Matrizen

Die CERTI-LOK Handzange ist ein preiswertes, handliches Werkzeug, mit dem sich ein großer Bereich von AMP Crimpkontakten verarbeiten läßt.

Die CERTI-LOK Handzange hat eine eingebaute Ratsche, einen Leitungs-Stopp und eine Kontakt-Halterung.

Das integrierte „Snap-In System“ ermöglicht schnell und problemlos das Wechseln einer großen Palette von Matrizensätzen.

Für jeden Matrizensatz einer Produktlinie existiert eine individuelle AMP-Verarbeitungsspezifikation.



Application Tooling and Equipment (continued)

CERTI-LOK

Hand Tool with Interchangeable Dies

The AMP CERTI-LOK Hand Tool has a built-in ratchet, wire stop and terminal stabilizer plus the major advantage that interchangeable snap-in die sets can be inserted to accommodate a wide range of AMP contacts and terminals.

With each die set individually matched to the AMP crimp specifications for the particular product line, CERTI-LOK answers the needs for a universal handtool which will result in less tooling investment.

Produkt-Merkmale

- Zuverlässige Konstruktion
- Isolierte Handgriffe
- Ergonomische Gestaltung
- Leitungs-Anschlag
- Kontakt-Halterung
- Einfache Bedienung
- Ratsche für Crimpzyklus-Kontrolle
- Schneller Matrizenwechsel
- Servicewerkzeug und Schmiermittel

Technische Daten

- Masse:**
620 g
- Länge:**
270 mm
- Hand-Öffnungsweite:**
83 mm
- Crimp-Backen-Hub:**
17 mm
- Leitungsgrößenbereich:**
0,2–6,0 mm²

Verarbeitbare AMP Produkte

- Type III und Type XII
- Nicht-isolierte FASTON
- MATE-N-LOK
- Micro Timer
- Junior Power Timer
- Standard Power Timer
- Power Tabs

Technical Data

- Mass:**
620 g
- Length:**
270 mm
- Handle Opening Width:**
83 mm
- Jaw Stroke:**
17 mm
- Wire Size Range:**
0.2–6.0 mm²

AMP Products which can be processed

- Type III and Type XII Contacts
- Un-Insulated FASTON Receptacles
- MATE-N-LOK Contacts
- Micro Timer Contacts
- Junior Power Timer Contacts
- Standard Power Timer Contacts
- Power Tab Contacts

Product Features

- Ratchet with ratchet release facility
- Straight action crimp
- Dies can easily be inserted or removed
- Robust construction
- Insulated handles with finger stop
- Easy to handle
- Locator provides simple terminal insertion
- Wire stop incorporated
- Terminal stabilizer
- Small light-weight tool
- Packed in utility case with service keys and lubricant

Verarbeitungs-Werkzeuge und -Maschinen (Fortsetzung)

PRO-CRIMPER II

Vielseitige Handzange für Vorproduktion und Reparatur

Die PRO-CRIMPER II Handzange ist ein preiswertes, zuverlässiges und vielseitiges Werkzeug. Es ist leicht zu handhaben und vielseitig einsetzbar.

Hergestellt aus „High Carbon Steel“ und mit extra starken Lagerachsen ausgestattet!

PRO-CRIMPER II zeichnet sich durch besondere Benutzerfreundlichkeit aus.

Mit einer großen Anzahl von Matrizen ist der PRO-CRIMPER II sehr vielseitig einsetzbar. Zusätzlich lassen sich viele dieser Matrizen für mehrere Crimpvarianten verwenden.

Die integrierte Ratsche garantiert einen kompletten Crimpzyklus.

Eine Notöffnung macht es möglich, die Handzange innerhalb eines Zyklus zu öffnen.

Die Handzange ist so konzipiert, daß die aufzubringende Crimpkraft für den größten, isolierten Kontakt ausreicht. Das erfordert deutlich weniger Kraftintensität als bei herkömmliche Handzangen üblich.

Der angewinkelte Handzangenkopf sowie die speziell gestalteten Griffe ermöglichen eine bequeme Handhabung.

Eine optionale Kontakt-Aufnahme unterstützt die Positionierung in der Matrize. Sie dient als Leitungs-Anschlag und reduziert Dreh- und Biegebewegungen der Kontakte auf ein Minimum.

Die PRO-CRIMPER II Handzange eignet sich ideal für Prototypen, für Netzwerk-Anwendungen und für allgemeinen Service.

Produkt-Merkmale

- Crimpzyklus-Kontrolle durch integrierte Ratsche
- Bequeme und komfortable Bedienung
- Geeignet für eine große Anzahl von Matrizen
- Notöffnungsmöglichkeit
- Viele verschiedene Kontakt-Typen in einem Matrizensatz
- Extra starke Lagerachsen
- Lange Haltbarkeit



Technische Daten

Masse:	530 g
Länge:	240 mm
Hand-Öffnungsweite:	66 mm
Crimp-Backen-Hub:	20–28 mm
Leitungsgrößenbereich:	0,2–6,0 mm ²
Kontakt-Positionierer	sind optional erhältlich

Verarbeitbare AMP Produkte

- Fiber Optic Kontakte
- Stift- und Buchsenkontakte
- Modular Plug
- Universal Data Steckverbinder
- Coaxial Steckverbinder
- Einzel- und Stoßverbinder

Application Tooling and Equipment (continued)

PRO-CRIMPER II

Versatile Handtool for Prototyping and Maintenance Work

The PRO-CRIMPER II Handtool provides the versatility of general purpose service tools along with the reliability and ease of use of many premium-grade tools.

For versatility, die sets are interchangeable, including those for open-barrel contacts and terminals. Additionally, many of these die sets have multiple cavities for crimping a variety of contacts or terminal sizes.

For reliability, the tool is constructed of durable high-carbon steel with extra strength pivot pins.

And, for user convenience, the AMP PRO-CRIMPER II Handtool particularly excels. Ratchet control is provided for complete crimp cycling; this helps eliminate partial crimps. Also, an emergency release allows the user to open the tool jaws at any time during the crimp cycle.

To reduce handle force, the linkage was designed to match the forces required to crimp our largest insulated terminal. The result is dramatically less hand force than comparable tools. Also, the angled head and specially designed handles reduce hand stretch and provide comfortable operation.

Locators are mounted on pin-and-socket style tools. They help properly locate the contact in the die set, provide a wire stop, and help minimize contact rotation and bending during crimping.

The PRO-CRIMPER II Handtool is ideally suited for R & D prototyping, networking applications, commercial, industrial and institutional maintenance work.

Technical Data

Mass:	530 g
Length:	240 mm
Handle Opening Width:	66 mm
Jaw Stroke:	20–28 mm
Wire Size Range:	0.2–6.0 mm ²
Contact Locator if required	Interchangeable Dies

AMP Products which can be processed

- Fiber Optic Connectors
- Pin and Socket Connectors
- Modular Plug
- Universal Data Connector Kits
- Coaxial Connectors
- Terminals and Splices

Product Features

- Ratchet control provides complete crimping cycle
- Emergency ratchet release
- Angled head provides a comfortable hand and wrist position
- One tool with interchangeable die sets can crimp many different types of connectors
- Accommodates multiple terminal sizes in one die set
- Extra strength pivot pins provide a greater durability
- Precision construction of durable high-carbon steel

Verarbeitungs-Werkzeuge und -Maschinen (Fortsetzung)

Pneumatisches Werkzeug 626

Bedienerfreundlich,
universell und modular

Das pneumatische Werkzeug eignet sich für Serien mit kleinen bis mittleren Stückzahlen sowie für Legebrettanwendungen. Da sich der Crimpkopf in jeden beliebigen Winkel drehen läßt, sind auch schwierige Kontaktierungen unter beengten Platzverhältnissen möglich.

Eine pneumatische Basiszange, die in der Hand gehalten und mittels Hand- oder Fußschalter ausgelöst wird, liefert die Crimpkraft. Zur Gewährleistung eines kompletten Crimpzyklus stehen Werkzeughalter mit Ratschenmechanismus zur Verfügung. Bei Hand- oder Fußauslösung müssen die Crimpbacken ihre Endstellung erreichen, bevor sie sich lösen lassen. Erst dann kann die hergestellte Crimpverbindung entnommen werden. Diese Funktion bietet die gleiche Crimpzykluskontrolle wie mechanische Ratschen an manuellen Handwerkzeugen, jedoch mit deutlich geringerem Kraftaufwand des Bedieners.

Für die Verarbeitung einer Vielzahl von Produkten sind austauschbare Werkzeughalter und Crimpköpfe erhältlich. Crimpköpfe und Crimpmatrizen aus anderen Crimpwerkzeugen lassen sich in das 626 Pneumatiksystem einsetzen, beispielsweise die Matrizen des Handwerkzeugs PRO CRIMPER II.



Produkt-Merkmale

- Basis-Crimpwerkzeug
- Austauschbare Crimpköpfe
- Komplette Crimpzyklus-Kontrolle durch Ratschenmechanismus
- Leicht und gut zu handhaben
- Kompatibel mit vielen AMP Produkten

Technische Daten

Masse:

1,0–1,5 kg

Druckluftanschluß:

600 kPa

Leitungsgrößenbereich:

0,12–13,0 mm²

Verarbeitbare AMP Produkte

- AMPMODU
- COAX
- und viele andere Kontakte

Product Features

- Basic crimp tool
- Exchangeable crimp heads
- Crimp cycle control by means of ratchet mechanism
- Easy handling
- Compatible with various AMP products

Technical Data

Mass:

1.0–1.5 kg

Compressed Air Supply:

600 kPa

Wire Cross Section:

0.12–13.0 mm²

AMP Products which can be processed

- AMPMODU
- COAX
- and various other contacts

Application Tooling and Equipment (continued)

Pneumatic Tool 626

Powered, Versatile
and Modular

The Pneumatic Crimping Tool 626 is suitable for series production of small to medium volume as well as harness board applications. As the crimping head can be positioned at any angle terminations can be carried out even in conditions with severely restricted space.

The crimping force is provided by the pneumatic basic tool which is hand-held and initiated via a hand or foot switch. Tool adapters with ratchet mechanism are available to ensure a complete crimping cycle. With hand or foot activation the crimping jaws must reach their end position before they are released and the finished product can be removed. This feature provides the same crimp cycle control as mechanical ratchets with manual tools – with significantly reduced strain for the user.

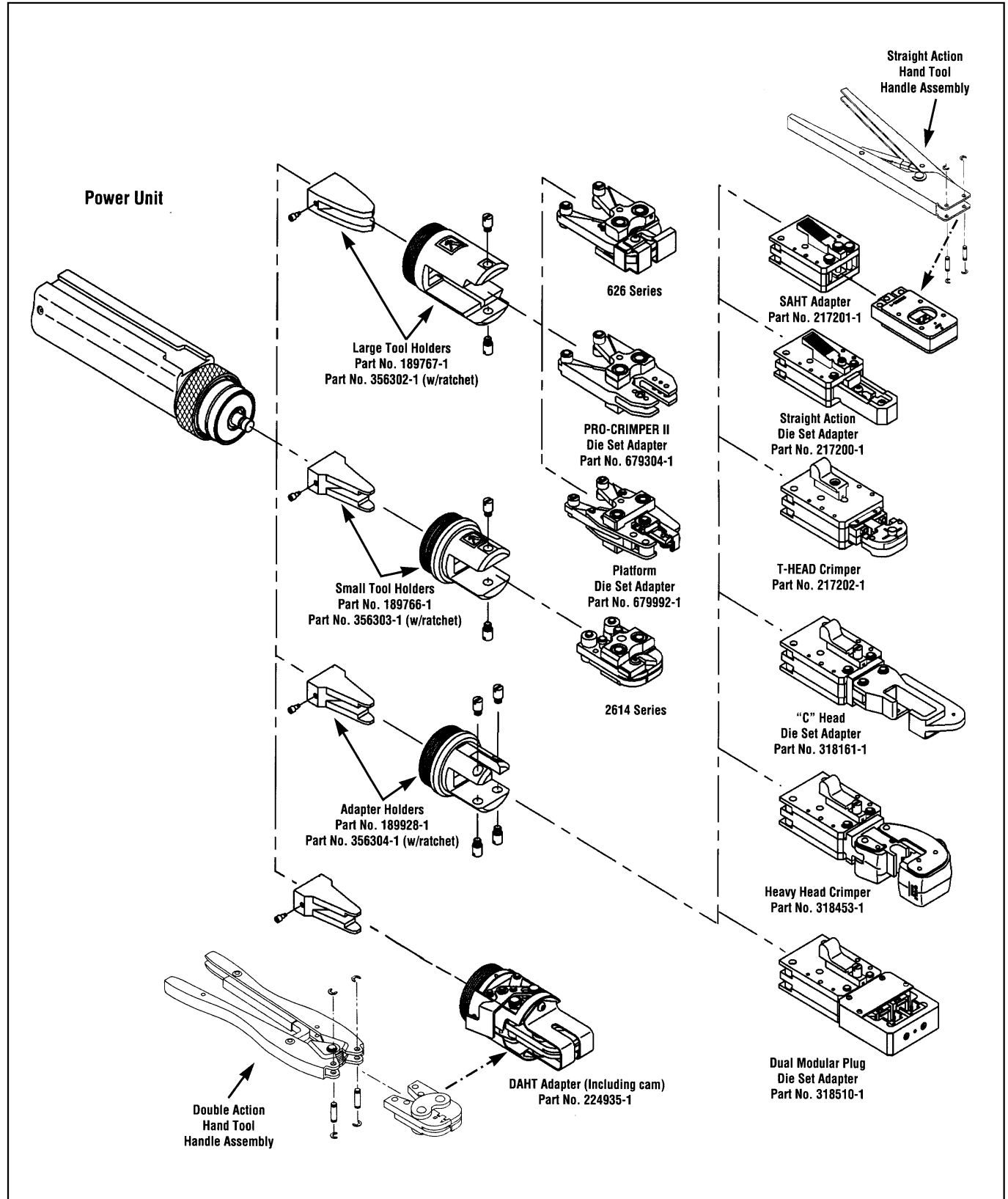
Interchangeable tool adapters and crimping heads are available for applying a large number of products. Crimping heads and dies from other AMP hand tools can be utilized with the 626 pneumatic system – for example dies from the PRO-CRIMPER II hand tool.

Verarbeitungs-Werkzeuge und -Maschinen
(Fortsetzung)

Pneumatisches Werkzeug 626
Bedienerfreundlich,
universell und modular
(Fortsetzung)

Application Tooling and Equipment
(continued)

Pneumatic Tool 626
Powered, Versatile and Modular
(continued)



Verarbeitungs-Werkzeuge und -Maschinen (Fortsetzung)

Crimp Service Koffer für Fertigung und Service nach Ihren individuellen Bedürfnissen zusammengestellt

Um auch vor Ort qualitativ hochwertige Crimpverbindungen herstellen zu können, bietet AMP einen umfassenden Service bei der Konzeption von Handzangenkoffern.

Hierzu gehört die kundenspezifische Zusammenstellung von Kontakten und Zubehörteilen wie Steckverbinder oder Einzelleitungen-Dichtungen genauso wie die Entwicklung von optimierten Crimp-Profilen für Werkzeuge aus der AMP Handzangen-Familie.

Produkt-Merkmale

- Koffer aus robuster Qualität mit Fächern für Kontakte und Zubehör
- Kundenspezifische Gestaltung von Crimpeinsätzen
- Beratung bei der Zusammenstellung des Koffers
- Ergonomisches Design der Handzangen

Zubehör

- Ausdrückwerkzeuge
- Kontakt-Positionierhilfe
- Ratsche zum Gewährleisten eines kompletten Crimpzyklus
- Einfache Zusammenstellung von Kontakt-Werkzeug-Nest-Kombination

Technische Daten

Leistungsgrößenbereich:
bis zu 6,0 mm²

Anzahl der Nester pro Matrize:
max. 4

Verfügbare Handzangen

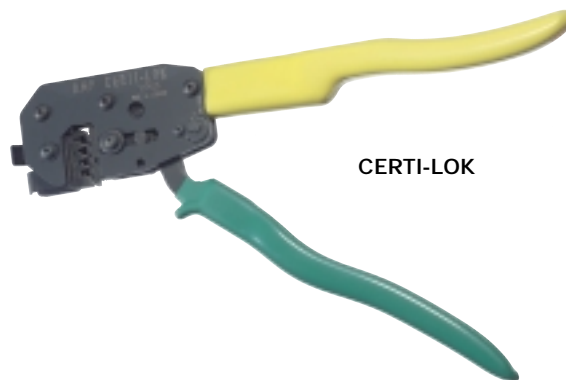
- ERGO CRIMP
- CERTI-LOK
- PRO CRIMPER II

Verarbeitbare AMP Produkte

- Crimpkontakte mit Dichtungen
- Crimpkontakte ohne Dichtungen



ERGO CRIMP



CERTI-LOK



PRO CRIMPER II

Application Tooling and Equipment (continued)

Case for Hand Tools for Manufacturing and Service Specifically Created to Meet Your Requirements

To produce high-quality crimp connections in manufacturing and service, it is essential to use tools which meet the relevant quality requirements.

AMP offers a comprehensive service for the construction and design of hand tools.

Customer-specific contact assemblies, accessories as well as seals and housings are included in the range, as is the development of optimised die sets for the AMP hand tool range.

Product Features

- Robust case
- Storage pockets for contacts and accessories
- Customer-specific design of crimp die sets
- Consultancy in design and construction
- Ergonomic hand tool

Accessories

- Extraction tools
- Contact-Positioner
- Ratchet to ensure completion of crimp cycle
- Simple assignment contact-tool-nest

Technical Data

Wire Cross Section:
up to 6.0 mm²

Nests per Die:
4 max.

Available Hand Tools

- ERGO CRIMP
- CERTI LOK
- PRO CRIMPER II

AMP Products which can be processed

- Crimp contacts with seals
- Crimp contacts without seals

Verarbeitungs-Werkzeuge und -Maschinen (Fortsetzung)

Lead Maker komax Gamma 311

Die Lösung für die Crimpverarbeitung im Elektronik- und Haushaltsgeräte-Bereich

Anwendungsbereich

Die Gamma 311 verarbeitet Kabelquerschnitte von 0,03–2,5 mm². Die Maschine ist standardmäßig mit zwei Crimpmodulen ausgerüstet, läßt sich aber schnell auf Verzinnen, Fluxen oder Verdrillen umrüsten.

Raffinierte Crimpwerkzeugaufnahme

Ein raffiniertes Werkzeug-Schnellwechselsystem nimmt sämtliche auf dem Markt üblichen Crimpwerkzeuge auf. Ein Hebelspann-System ermöglicht schnelles und bequemes Wechseln der Werkzeuge und verkürzt die Stillstandszeit.

Optimale Zugänglichkeit

Für ein optimales Handling sind die Kontaktrollen-Aufnahmen im unteren Bereich der Maschine angeordnet. Die nach oben öffnende Sicherheitshaube bietet optimale Zugänglichkeit zu allen Maschinenteilen und zu den Werkzeugen.

Kleiner Platzbedarf

Dank ihrer kleinen Abmessungen benötigt die Gamma 311 sehr wenig Platz und läßt sich mittels festmontierten Transportrollen einfach und schnell verschieben.

Höchste Leistung und Präzision

Dreiphasen Schrittmotoren mit hohem Drehmoment und hoher Dynamik garantieren absolute Präzision und maximale Produktionsleistung. Der damit gesteuerte Schneidkopf übernimmt alle Abisolierdaten und die beiden Schwenkeinheiten fahren die Stationen schnell und präzise an.

Kürzeste Einrichtzeiten

Alle Einstellungen werden gespeichert und sind jederzeit wieder aufrufbar. Sie gewährleisten eine sehr kurze Umrüstzeit sowie eine konstante Produktionsqualität.

Modernste Software

Die dialogunterstützte Bedienoberfläche überzeugt durch einfache Bedienung, graphische Darstellung und Online-Sprachwechsel in acht Sprachen.

Einwandfreie Qualität

Der Kabeltransport mit zwei Rollen garantiert eine prozeß-sichere Verarbeitung auch kleinster Querschnitte. Die optionalen Abisolier- oder Crimpkraftüberwachungen sowie die Knoten- oder Spliceüberwachung sichern eine einwandfreie Qualität. Fehlerhafte Kabel werden aussortiert und nachproduziert.



Zubehör

Stationen:

- Crimpmodul komax 300
- Verdrillgeräte
- Verzinnstation mit Fluxgerät

Crimpmodul-Zubehör:

- Höhenverstellbarer Modulhubtisch
- Kontaktzuführung mit Papieraufwickler
- Kontaktstreifenschneider

Vorverarbeitung:

Heißprägebedrucker

Kabelzuführung:

Prefeeder

Kabelablage:

Transportbandverlängerungen

Überwachungen:

- Spliceüberwachung
- Kabelend- und Knotenüberwachung
- Abisolier-/Kontaktüberwachung
- Crimpkraftüberwachung

Technische Daten

Längbereich:

60–10.000 mm, optional ab 30 mm

Längengenauigkeit:

<0,2 % oder max. ±1 mm

Abisolierlängen:

0,1–30 mm auf Seite 1,
0,1–13 mm auf Seite 2

Kabelquerschnitte:

0,05–2,5 mm² / AWG 30–13

Kabeltransport:

max. 3 m/s

Stromversorgung:

Einphasig 110–270 V / 50–60 Hz

Betriebsdruck:

5–6 bar

Masse:

410 kg mit zwei Crimpmodulen

Accessories

Stations:

- Crimp module komax 300
- Twisting units
- Tinning station with fluxing unit

Accessories for Crimp Module:

- Height adjustable terminator pedestals
- Terminal feed units with paper strip take-up unit
- Paper strip cutter

Preliminary Wire Processing:

Hot stamp marker

Wire Feed:

Prefeeder

Wire Deposit:

Conveyor belt extensions

Monitoring Units:

- Splice monitoring unit
- Wire end and knot monitoring unit
- Stripping and terminal check unit
- Crimping force sensor

Technical Data

Length Range:

60–10,000 mm, option from 30 mm

Length Accuracy:

<0,2 % or max. ±1 mm

Stripping Lengths:

0,1–30 mm on side 1,
0,1–13 mm on side 2

Wire Cross-Sections:

0,05–2,5 mm² / AWG 30–13

Wire Feeding Rate:

3 m/s max.

Electrical Power:

One phase 110–270 V / 50–60 Hz

Pneumatic Pressure:

5–6 bar

Mass:

410 kg with two crimp modules

Application Tooling and Equipment (continued)

Lead Maker komax Gamma 311

The Solution for Crimp Processing within the Electronics and Household Appliances Range

Processing Possibilities

The Gamma 311 machine is able to process wires with a cross-section between 0.03 and 2.5 mm². As a standard, the machine is equipped with two crimp modules, but can easily be converted to tinning, fluxing or twisting appliances.

Ingenious Crimping Tool Holder

The ingenious tool quick-change system supports all crimping tools being common on the market. The quick-change clamping device enables a quick and convenient change of the tool and reduces the machine down times

Optimal Access

The brackets for the terminal reels are positioned in the lower part of the machine which guarantees an optimal handling. The safety cover opens upwards to provide easy access to the machine parts and toolings.

Minimal Space Requirement

Thanks to its small dimensions, the Gamma 311 only requires a minimal space for its placement. Furthermore, it can be moved very easily with the help of its fixed mounted transport rollers.

Highest Performance and Precision

The high torque and dynamic the three-phase stepping motors guarantee absolute precision and maximal production outputs. The triggered cutting head takes over all stripping data and the two swivelling units turn to the stations in a quick and precise way.

Minimal Set-up Times

All adjustments can be stored and recalled at any time which guarantees an extremely short conversion time as well as a constant production quality.

State of the Art Software

The interactive software is convincing by its simple handling, graphic display and on-line language change in eight different languages.

Flawless Quality

The wire transport with two rollers guarantees a safe processing, even of smallest wire cross-sections. The optional stripping and crimping monitoring systems as well as the knot and the splice monitoring units provide high processing quality. Defective wires are detected, removed and reproduced automatically.

Verarbeitungs-Werkzeuge und -Maschinen (Fortsetzung)

Lead Maker komax Gamma 333

Höchstmögliche Leistung zu einem äußerst attraktiven Preis

Anwendungsbereich

Gamma 333 schließt optimal die Lücke zwischen Gamma 311 und dem Hochleistungsautomaten Alpha 411. Die Integration von Prozeßüberwachungen erlaubt eine bestmögliche Qualitätskontrolle.

Raffinierte Crimpwerkzeugaufnahme

Ein raffiniertes Werkzeug-Schnellwechselsystem nimmt sämtliche auf dem Markt üblichen Crimpwerkzeuge auf. Ein Hebelspann-System ermöglicht schnelles und bequemes Wechseln der Werkzeuge und verkürzt die Stillstandszeit.

Optimale Zugänglichkeit

Für ein optimales Handling sind die Kontaktrollen-Aufnahmen im unteren Bereich der Maschine angeordnet. Die nach oben öffnende Sicherheitshaube bietet optimale Zugänglichkeit zu allen Maschinenteilen und zu den Werkzeugen.

Kleiner Platzbedarf

Dank ihrer kleinen Abmessungen benötigt die Gamma 333 sehr wenig Platz und läßt sich mittels festmontierten Transportrollen einfach und schnell verschieben.

Höchste Leistung und Präzision

Dreiphasen Schrittmotoren mit hohem Drehmoment und hoher Dynamik garantieren absolute Präzision und maximale Produktionsleistung. Der damit gesteuerte Schneidkopf übernimmt alle Abisolierdaten und die beiden Schwenkeinheiten fahren die Stationen schnell und präzise an.

Crimpmodule

Den größtmöglichen Nutzen erreicht man, in dem die Gamma 333 mit den neuen komax Crimpmodulen MCI 711 ausgerüstet wird. Die nach dem neuesten Stand der Technologie entwickelten Module bieten enorme Vorteile bezüglich Einrichten und Bedienung.

Modernste Software

Die dialogunterstützte Bedienoberfläche überzeugt durch einfache Bedienung, graphische Darstellung und Online-Sprachwechsel in sechs Sprachen.

Einwandfreie Qualität

Der Kabeltransport mit zwei Rollen garantiert eine prozeß-sichere Verarbeitung auch kleinster Querschnitte. Ein Encoder-Meßsystem mit integrierter Schlupfüberwachung sichert eine hohe Repetiergenauigkeit unabhängig von der verwendeten Gebindeart. Die optionale Crimpkraftüberwachung sowie die Knoten- oder Spliceüberwachung sichern eine einwandfreie Qualität. Fehlerhafte Kabel werden aussortiert und nachproduziert.



Zubehör

Stationen:

- Crimpmodul MCI 711
- Verzinnstation

Crimpmodul-Zubehör:

- Höhenverstellbare Modulhubtische
- Kontaktzuführung mit Papieraufwickler
- Kontaktstreifenschneider

Kabelablage:

Transportbandverlängerungen

Überwachungen:

- Spliceüberwachung
- Kabelend- und Knotenüberwachung
- Crimpkraftüberwachung
- Abisolier-/Kontaktüberwachung

Technische Daten

Längenbereich:

60–50.000 mm, optional ab 36 mm

Längengenauigkeit:

<0,2 % oder max. ±1 mm

Abisolierlängen:

0,1–15 mm auf Seite 1 (optional 28 mm)
0,1–15 mm auf Seite 2

Kabelquerschnitte:

0,125–5,0 mm² / AWG 26–10

Kabeltransport:

max. 6 m/s

Stromversorgung:

3 x 208–480 V / 50–60 Hz

Betriebsdruck:

5–6 bar

Masse:

840 kg mit zwei Crimpmodulen

Accessories

Stations:

- Crimp module MCI 711
- Tinning station

Accessories for Crimp Module:

- Height adjustable terminator pedestals
- Contact feed units with paper take-up units
- Carrier strip cutter

Wire Stockage:

Conveyor belt extensions

Monitoring Units:

- Splice monitoring unit
- Knot and wire end monitoring unit
- Crimp force monitoring unit
- Stripping and terminal check unit

Technical Data

Length Range:

60–50,000 mm, optional from 36 mm

Length Accuracy:

<0.2 % or max. ±1 mm

Stripping Lengths:

0.1–15 mm on side 1 (optional 28 mm),
0.1–15 mm on side 2

Cross Sections:

0.125–5.0 mm² / AWG 26–10

Wire Feed Rate:

max. 6 m/s

Electrical Power:

3 x 208–480 V / 50–60 Hz

Operating Pressure:

5–6 bar

Mass:

840 kg with two crimp terminators

Application Tooling and Equipment (continued)

Lead Maker komax Gamma 333

Superb Performance at an Extremely Attractive Price

Processing Possibilities

Gamma 333 is ideal for closing the gap between Gamma 311 and the automatic high-capacity Alpha 411. Process monitoring units can also be integrated to provide unsurpassed quality control.

Ingenious Crimping Tool Holder

The ingenious tool quick-change system supports all crimping tools being common on the market. The quick-change clamping device enables a quick and convenient change of the tool and reduces the machine down times.

Optimal Access

The brackets for the terminal reels are positioned in the lower part of the machine which guarantees an optimal handling. The safety cover opens upwards to provide easy access to the machine parts and toolings.

Minimal Space Requirement

Thanks to its small dimensions, the komax Gamma 333 only requires a minimal space for its placement. Furthermore, it can be moved very easily with the help of its fixed mounted transport rollers.

Highest Performance and Precision

The high torque and dynamic the three-phase stepping motors guarantee absolute precision and maximal production outputs. The triggered cutting head takes over all stripping data and the two swivelling units turn to the stations in a quick and precise way.

Crimp Modules

To obtain maximum benefits, the Gamma 333 is best combined with komax's new MCI 711 crimp terminators. In developing these terminators, komax incorporated absolute state of the technology to achieve enormous advantages in setup and operation.

State of the Art Software

The interactive software is convincing by its simple handling, graphic display and on-line language change in six different languages.

Flawless Quality

The wire transport with two rollers guarantees a safe processing, even of smallest wire cross-sections. A measurement encoder system with integrated slip monitoring ensures excellent repeatability regardless of the type of packing drums. The optional stripping and crimping monitoring systems as well as the knot and the splice monitoring units provide high processing quality. Defective wires are detected, removed and reproduced automatically.

Verarbeitungs-Werkzeuge und -Maschinen (Fortsetzung)

Lead Maker komax Gamma 333 PC

Mehr Verarbeitungs-
möglichkeiten

Anwendungsbereich

Kürzeste Umrüstzeiten – zusätzliche Anwendungen sowie eine benutzerfreundliche und sprachgewandte Bedienoberfläche. Die neue komax Gamma 333 PC macht's möglich!

Eine dritte Verarbeitungsstation sowie modernste Steuerungssoftware erlaubt höchste Flexibilität und eine noch effizientere Lösung Ihrer Kabelverarbeitungsbedürfnisse. Und dies zu einem bis dahin unerreichten Preis-/Leistungsverhältnis.

Größtmögliche Flexibilität

Mit der zusätzlichen Verarbeitungsstation auf Seite 1 bietet die komax Gamma 333 PC neue, je nach Bedürfnis, Möglichkeiten wie beidseitiges Crimpen von Crimpkontakten, Doppelcrimpverbindungen mit drei verschiedenen Kontakten, einseitiges Tüllenbestücken, Verzinnen oder Ink-jet-Bedruckung. Zusätzlich stellt die Integration von Prozeßüberwachungen das perfekte Ablängen und Absolieren sowie eine optimale Qualitätskontrolle sicher.

Besonderheiten

Der Führungsrohrwechsel ist dank dem Schnellverschluß-System ohne Werkzeuge möglich. Die im unteren Bereich der Maschine angeordneten Kontaktrollen und die nach oben öffnende Sicherheitshaube ermöglichen eine optimale Zugänglichkeit zu den Werkzeugen. Die voll programmierbaren CNC-Achsen garantieren zusammen mit den gespeicherten Kabel- und Verarbeitungsparametern wirtschaftliche Produktion auch bei kleinen Losgrößen.

Integrierte Geräte

Die heutigen Bedürfnisse der Kabelkonfektion erfordern kostenoptimierte Gesamtlösungen. Um dies zu erreichen wurden die Peripheriegeräte MCI 711 und MCI 761 speziell auf diese Maschinen Generationen abgestimmt. Der Nutzen liegt in der kompakten Bauweise und dem einheitlichen Bedienkonzept. Dank der seriellen Ansteuerung sind die Peripheriegeräte mit der integrierten Prozeßüberwachung in die TopWin Bedienersoftware eingebunden.

TopWin

Die Windows Bedienoberfläche ist für eine schnelle und einfache Dateneingabe konzipiert. Dank dem graphisch vorzüglich gestalteten Layout kann der Bediener die Maschine innerhalb kürzester Zeit perfekt bedienen.



Zubehör

Die komax Gamma 333 PC kann mit verschiedenem Zubehör auf kundenspezifische Bedürfnisse abgestimmt werden und bleibt somit offen für zukünftige Anforderungen.

- Crimpmodulzubehör
 - Höhenverstellbare Modulhubtische
 - Kontaktzuführungen mit Papierstreifenaufwickler
 - Kontaktstreifenschneider
- Kabelablage
 - Transportband und Ablageverlängerung (2 m oder 4 m) für lange Kabel
- Prozeßüberwachungen
 - Crimpkraftüberwachung
 - Tüllenüberwachung
 - Spleißüberwachung
 - Kabelend- und Knotenüberwachung

Technische Daten

Kabelquerschnitte:
0,125–5,0 mm² (AWG 26–10)

Längenbereich:
60 mm bis 10.000 mm (optional 30 mm) (±1 mm bzw. <0,2 % abhängig von der Kabellänge)

Absolierlängen:
Seite 1: 0–15 mm (optional 28 mm)
Seite 2: 0–15 mm

Kabeltransportgeschwindigkeit:
max. 6 m/s

Geräuschpegel:
<75 dB (ohne Crimpmodule)

Elektrische Anschlüsse:
3 x 208–480 V / 50–60 Hz, 6 kVA

Pneumatischer Anschluß: 5–6 bar

Luftverbrauch: 6,5 m³/h

Masse: 840 kg mit zwei Crimpmodulen

Maße (B x T): 3137 x 1377 mm

Geschlossene Höhe: 1790 mm (70,5 in.)

Offene Höhe: 2670 mm (105,1 in.)

Accessories

Through the addition of various accessories, the komax Gamma 333 PC can be customized to meet your exact needs yet remains adaptable to accommodate future requirements.

- Accessories for crimp module
 - Height adjustable module elevating table
 - Contact feed units with paper strip take-up
 - Contact strip cutter
- Wire deposition
 - Feed belt and extension to deposition system (2 m or 4 m) for long wires
- Process monitoring
 - Crimp force monitoring
 - Seal monitoring
 - Splice monitoring
 - Detection system for wire end and knots

Technical Data

Wire Cross Sections:
0,125–5,0 mm² (AWG 26–10)

Length Range:
60 mm up to 10,000 mm (optional 30 mm) (±1 mm resp. <0,2 % depending on wire length)

Stripping Lengths:
Side 1: 0–15 mm (optional 28 mm)
Side 2: 0–15 mm

Wire Feed Rate:
max. 6 m/s

Noise Generated:
<75 dB (without crimp modules)

Electrical Connection:
3 x 208–480 V / 50–60 Hz, 6 kVA

Pneumatic Connection: 5–6 bar

Air Consumption: 6,5 m³/h

Mass: 840 kg with two crimp modules

Dimensions (W x D): 3137 x 1377 mm

Closed Height: 1790 mm (70,5 in.)

Open Height: 2670 mm (105,1 in.)

Application Tooling and Equipment (continued)

Lead Maker komax Gamma 333 PC

No other Machine has more
Wire Processing Value

Processing Possibilities

Ultra short conversion times, additional applications and a user-friendly user interface with multiple-language capability. The new komax Gamma 333 PC makes it all possible!

With its third processing station and state of the art control software, you are assured maximum flexibility and an even more efficient way of meeting your wire processing needs. What's more, the system is a superb value for the money.

Maximum Flexibility

With its additional processing station on side 1, the Gamma 333 PC now enables you to crimp both ends of the wire, to create double crimp connections with three different contacts, to carry out one-ended seal application, tinning or ink-jet marking. In addition, process monitoring is all integrated to ensure that the wire is cut to length and stripped perfectly to specification and that quality control is optimized.

Special Feature

Guide tubes can be changed without tools thanks to the quick-release system. The contact rolls are positioned in the lower part of the machine and the safety cover opens upwards to ensure optimum access to the tools. Thanks to the fully programmable CNC axes plus the stored wire and processing parameters, production is always economical, even with small batches.

Integrated Device

Wire processing today requires cost-optimized, comprehensive solutions. To this end, the MCI 711 and MCI 761 peripheral stations have been specially adapted for use with these new machine generations. You benefit from the compact design and standardized operating concept. Thanks to serial control, the peripheral devices with integrated process monitoring are also integrated into the TopWin user software.

TopWin

The Windows user interface is designed for quick, simple data input. Thanks to the excellent graphics-based layout, users are able to master all machine operations in record time.

Verarbeitungs-Werkzeuge und -Maschinen (Fortsetzung)

Lead Maker komax Alpha 433 S/L

Kabelverarbeitung für höchste Ansprüche – Ohne Umrüsten eine große Vielfalt

Die Crimpvollautomaten Alpha 433 S und 433 L basieren auf der neuesten Technologie und sind für die Verarbeitung von Einzelleitern sowie Doppelcrimpverbindungen ausgelegt. Die Alpha 433 L bietet zusätzlich die Möglichkeit einer dritten Station auf der Seite 1.

Anwendungsbereich

Die Alpha 433 bieten höchste Flexibilität. Ein- oder beidseitige Tüllenbestückungen, verschiedene Kontakte sowie Doppelcrimpverbindungen mit unterschiedlicher Länge und gleichen Kabeln können problemlos verarbeitet werden. Bei gleichzeitiger Verwendung der komax MCI Peripheriegeräte steht eine kompakte Gesamtanlage mit optimaler Zugänglichkeit zur Verfügung.

Technologie

Hochdynamische Servoantriebe garantieren schonendes Kabelhandling bei höchster Stückzahlleistung. Über die Bedienersoftware TopWin kann der Greiferdruck kabelspezifisch eingestellt werden. Das einzigartige Greiferprinzip ermöglicht das Bearbeiten des gesamten Kabelquerschnittsbereichs ohne Greiferbackenwechsel.

Wirtschaftlichkeit

Der Führungsrohrwechsel ist dank dem Schnellverschluss-System ohne Werkzeug möglich. Alle Führungsrohre und Einrichtlehren sind in einer eingebauten Schublade jederzeit griffbereit.

Besonderheit

Der Schneidkopf bewältigt mühelos Querschnitte bis 6 mm². Der kraftvolle Servomotor und die zwei nebeneinander liegenden Radius-Abisoliermesser ermöglichen das Bearbeiten des ganzen Querschnittsbereichs ohne Umrüsten.

Alpha 433 S

Mit den bis zu vier Verarbeitungsstationen ist die Alpha 433 S die ideale Maschine für beidseitiges Crimpen und ein- oder beidseitiges Tüllenbestücken. Weitere Verarbeitungen wie Doppelcrimpverbindungen, Fluxen und Verzinnen sowie Hülsenbestückung sind zusätzlich möglich.

Alpha 433 L

Die größere Flexibilität der Alpha 433 L schlägt sich positiv in der Verarbeitung von Sequenzen und Doppelcrimpverbindungen nieder. Durch die zusätzliche Presse steigt die Anzahl der Kabelvarianten – die ohne Umrüsten mit Sequenzverarbeitung produziert werden kann. Bei Doppelcrimpverbindungen ist an allen drei Enden ein unterschiedlicher Kontakt verarbeitbar.



Integrierte Geräte

Die heutigen Bedürfnisse der Kabelkonfektion erfordern eine kosten-optimierte Gesamtlösung. Um dies zu erreichen wurden die Peripheriegeräte MCI 711 und MCI 761 speziell auf diese Maschinengeneration abgestimmt. Die Vorteile liegen in der kompakten Bauweise und einheitlichen Bedienoberfläche. Die Module sind dank serieller Ansteuerung in die TopWin Bedienersoftware integriert.

Crimppmodul MCI 711

Das Crimppmodul MCI 711 läßt sich optimal in das Gesamtsystem Alpha 433 einbinden. Die Kommunikation zwischen dem Crimppmodul und der Basismaschine wird durch die MCI-Schnittstelle geregelt. Die Crimpkraftüberwachung ist in dem Crimppmodul integriert. Optional sind weiterhin Kontaktstreifenschneider und Kontaktzuführung erhältlich.

Tüllenbestückungsmodul MCI 761

Wie das Crimppmodul wird auch das Tüllenbestückungsmodul MCI 761 in die Basismaschine integriert. Der modulare Aufbau gewährt höchste Flexibilität. Die Tüllenüberwachung SPA wird am Tüllenbestückungsmodul montiert und ist somit in den Prozeß eingebunden.

Doppelgreifermodul

Leiter mit unterschiedlichen Längen werden im Doppelgreifermodul zu einer Doppelcrimpverbindung verarbeitet. Das Doppelgreifermodul wird auf Seite 2 montiert. Seine kompakte Bauweise erlaubt das gleichzeitige Montieren des Tüllenmoduls MCI 761 und des Crimppmoduls MCI 711 auf der Seite 2.

Integrated Devices

Wire processing today demands comprehensive and cost-optimized solutions. To this end, the MCI 711 and MCI 761 peripheral devices were specially adapted to match this machine generation. This approach offers two key advantages: a compact design and a standard user interface. The modules are serially controlled and fully integrated into the TopWin user software.

MCI 711 Crimping Module

The MCI 711 crimping module can be ideally integrated into the overall Alpha 433 system. Communications between the crimping module and the basic machine are controlled by the MCI interface. Crimp force analysis is integrated in the crimping module. Contact strip cutters and contact feeder units are available as further options.

MCI 761 Seal Application Module

Like the crimping module, the MCI 761 seal application modules are also integrated into the basic machine. Their modular design ensures maximum flexibility. The SPA seal position analyzer device is mounted on the seal applicator, so that it too is an integral part of the process.

Double Gripper Module

Wires of different lengths are processed in the double gripper module to a single double crimp connection. The double gripper module is mounted on side 2. Thanks to its compact design, there is plenty of room on side 2 for the MCI 761 seal applicator and the MCI 711 crimping module.

Application Tooling and Equipment (continued)

Lead Maker komax Alpha 433 S/L

For Tough Wire Processing – Tasks Highly Versatile without Conversion

The Alpha 433 S and 433 L fully automatic crimping machines are based on the latest technology and can be used to process single conductors as well as double-crimp connections. The Alpha 433 L can accommodate a third station on side 1.

Scope of Application

The Alpha 433 offers the highest degree of flexibility. One or two-sided seal application, different contacts plus double-crimp connections of varied lengths and with the same wire can all be processed with ease. When used in combination with komax MCI peripherals, the Alpha 433 becomes a very compact total system with optimum accessibility.

Technology

The highly dynamic servo drives ensure that the wire is handled gently and that the piece output is high. With the TopWin user software, gripper pressure can be adjusted to match each wire. The unique gripper concept allows the entire wire cross section to be processed without a gripper jaw change.

Efficiency

The Guide tubes can be changed without tools thanks to the quick-clamping system. There is a built-in drawer for keeping all guide tubes and setup gauges, so they are within reach at all times.

Special Features

The cutting head accommodates wire gauges up to 6 mm² with ease. Thanks to the powerful servomotor and the two parallel radius stripping blades, the entire cross section can be processed without conversion.

Alpha 433 S

Able to accommodate up to four processing stations, the Alpha 433 S is the ideal machine for double-ended crimping and one and two-ended seal application. Other processes such as double crimp connections, fluxing and tinning are also possible, as is sleeve attachment.

Alpha 433 L

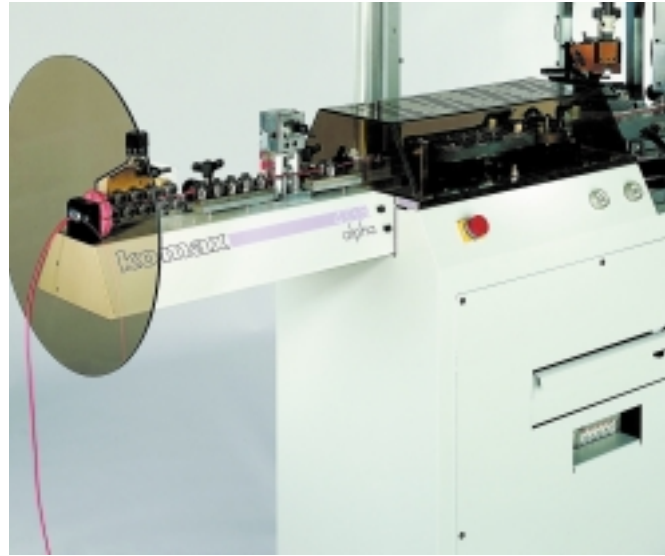
The greater flexibility of the Alpha 433 L is especially useful in the processing of sequences and double-crimp connections. The additional press increases the number of wire variants producible in sequence processing without conversion. With double-crimp connections, a different contact can be processed on all three ends.

Verarbeitungs-Werkzeuge und -Maschinen (Fortsetzung)

Lead Maker komax Alpha 433 S/L (Fortsetzung)

TopWin

Die graphische Benutzeroberfläche TopWin ist für eine schnelle und einfache Dateneingabe konzipiert. Dank dem leicht verständlichen Aufbau kann der Bediener die Maschine innerhalb kürzester Zeit perfekt handhaben. Durch einen speziellen Editor (Permission Editor) kann der Zugriff auf alle wichtigen Eingabeparameter exakt den individuellen Bedürfnissen anpaßt werden. Durch die optionale Schnittstelle WPCS (Wire Processing Communication Standard) können komax Maschinen vernetzt werden. Dank den offenen Schnittstellen ist die Einbindung in bestehende Produktionsabläufe sehr einfach.



Application Tooling and Equipment (continued)

Lead Maker komax Alpha 433 S/L (continued)

TopWin

The graphic TopWin user interface is designed for quick, simple data input. Its simple structure enables operators to master all aspects of the machine in no time at all. A special editor (Permission Editor) is available for adjusting the access to all key input parameters to meet specific requirements. The optional WPCS (Wire Processing Communication Standard) interface allows all komax machines to be networked. Thanks to the open interfaces, the machine is very easy to integrate into already existing production processes.

Zubehör

Die Alpha 433 S und Alpha 433 L können mit verschiedenem Zubehör auf die kundenspezifischen Bedürfnisse abgestimmt werden.

Kabelvorverarbeitung

- Tintenstrahldrucker
- Heißprägedrucker
- Kontinuierliche Kabelzuführung

Crimpmo-Modul-Zubehör

- Höhenverstellbare Hubtische
- Kontaktzuführung mit Papierstreifen-aufwickler
- Kontaktstreifenschnneider

Prozeßüberwachungen

- Crimpkraftüberwachung
- Tüllenüberwachung
- Spliceüberwachung
- Kabelendüberwachung

Kabelablage

- Grundmodul 2 m oder 4 m
- Verlängerungsmodul 2 m oder 4 m

Weiteres Zubehör

- Höhenverstellbare Faßdeckelhalterung

Weitere Module

- Doppelgreifermodul
- Hülsenbestücker
- Flux- und Verzinnmodul

Dienstleistungen

Auch nach dem Verkauf bietet Ihnen komax eine optimale Unterstützung bei

- Inbetriebnahme
- Produktionsbegleitung
- Schulungen in verschiedenen Anwenderstufen
- Weltweites Kundendienstnetz mit lückenlosem Ersatzteilangebot

Technische Daten

Längsbereich:

60–65.000 mm,
optional ab 35 mm

Längengenauigkeit:

±1 mm oder <0,2 % abhängig
von der Kabellänge

Abisolierlängen:

0,1–15 mm

Abisolierlängen mit Teilabzug:

Kabelanfang 45 mm ±1 mm
Kabelende 40 mm ±1 mm

Kabelquerschnitte:*

0,20–6,0 mm² / AWG 24–10

* Bei extrem harten, zähen Leitungen kann es vorkommen, daß auch innerhalb des Querschnittsbereichs Verarbeitungen nicht möglich sind. Im Zweifelsfalle fertigen wir gerne Muster Ihrer Kabel.

Kabeltransport:

max. 10 m/s

Geräuschpegel:

< 75 dB (ohne Crimpmo-Modul)

Elektrischer Anschluß:

3 x 208–480 V / 50–60 Hz; 10 kVA

Pneumatischer Anschluß:

5–6 bar

Luftverbrauch:

9 m³/h

Masse Alpha 433 S:

1080 kg (zwei MCI 711 und zwei MCI 761)

Masse Alpha 433 L:

1250 kg (drei MCI 711 und zwei MCI 761)

Technical Data

Length Range:

60–65,000 mm (2.36 in. to 213 ft),
optional from 35 mm (1.38 in.)

Length Accuracy:

+1 mm or <0,2 % depends
on wire length

Stripping Lengths:

0.1–15 mm

Stripping Lengths with Partial Pull-Off:

Lead termination 45 mm +1 mm
Trailing end 40 mm ±1 mm

Wire Cross Sections:*

0.20–6.0 mm² / AWG 24–10

* Certain types of extremely hard, tough wires may not be able to be processed even within the indicated ranges. In case of doubt, komax is happy to produce samples of your wire.

Wire Draw-In Speed:

max. 10 m/s

Noise Level:

< 75 dB (without crimping module)

Power:

3 x 208–480 V / 50–60 Hz; 10 kVA

Compressed Air:

5–6 bar

Air Consumption:

9 m³/h

Mass Alpha 433 S:

1080 kg (two MCI 711 and two MCI 761)

Mass Alpha 433 L:

1250 kg (three MCI 711 and two MCI 761)

Accessories

The Alpha 433 S and Alpha 433 L can be adapted to meet the customer's specific needs through the addition of a variety of accessories.

Preliminary Wire Processing

- Ink jet marker
- Hot stamp marker
- Continuous wire feed

Crimping Module Accessories

- Height-adjustable lifting table
- Contact feed units with paper strip take-up device
- Contact strip cutter

Process Monitoring Units

- Crimp force analyzer
- Seal detection
- Splice monitoring unit
- Wire end monitoring

Wire Deposition

- Basic 2 m or 4 m module
- Extension module (2 m or 4 m)

Further Accessories

- Height-adjustable barrel cover bracket

Further Modules

- Double gripper module
- Sleeve attachment devices
- Fluxing and tinning module

Services

Optimum after-sales support from komax

- Commissioning
- Production assistance
- Training for different levels of operation
- World-wide customer service network with seamless spare parts supply

Verarbeitungs-Werkzeuge und -Maschinen (Fortsetzung)

Lead Maker komax Alpha 477

Ergonomie und Flexibilität

Mit der Alpha 477 ist das Verarbeiten von verschiedensten Leitungskombinationen zu einem Doppelcrimp mit bis zu drei verschiedenen Kontakten und zwei verschiedenen Tüllen möglich.

Prozeß-sichere Verarbeitung

Zwei Bandantriebe, mit AC-Servoachsen und integriertem ACS (Anti Schlupf-Control-System), fördern die Leitungen in die Verarbeitungsmaschine.

Hochdynamische Servotechnik ist für das Absolieren im Schneidkopf und das Positionieren in den Verarbeitungs-Stationen zuständig. Raffinierte Handhabungs-Technik für das Verarbeiten von zwei parallelen Leitungen ermöglichen das prozeß-sichere Konfektionieren der Leitungsenden.

Ergonomie

Dank einem Schwenkradius von 400 mm ist eine optimale Zugänglichkeit zu den Stationen gewährleistet. Für das Optimum an Ergonomie des Gesamtsystems können die bewährten Peripheriegeräte MCI 711 und MCI 761 eingesetzt werden. Integrierte Qualitätsüberwachungen garantieren eine optimale Prozeß-Sicherheit. Dank der bewährten MCI-Kommunikation zu den Peripheriegeräten sind Funktionalitäten wie Parameterabgleich einfach möglich.

Kabelablage

Die integrierte Kopftrennung ermöglicht das Separieren beider Leiter auf der Seite des Doppelcrimps. Die wenigen aktiven Elemente sind so in die Maschine integriert, daß sich für Bedienung und Zugänglichkeit keine Einschränkungen ergeben. Bestens bewährte und erprobte Elemente wie die automatische Nachproduktion von fehlerhaften Leitungen sowie eine Kabelablage mit Losgrößensortierung gehören zur Standardkonfiguration.

Vielfältige Verarbeitungsmöglichkeiten

Durch die Anordnung von sechs Verarbeitungsstationen sowie zusätzlich einer Doppelgreifereinheit sind die Verarbeitungsmöglichkeiten sehr vielfältig. Somit ist die Alpha 477 auch zukünftigen Anforderungen gewachsen. Einzelleiter mit Querschnitten von 0,22 mm² bis 4,0 mm² können verarbeitet werden. Der maximale Gesamtquerschnitt eines Doppelcrimps kann 6 mm² betragen.

Flexibilität konsequent umgesetzt

Die Maschine wird mit TopWin unter Windows NT 4.0 bedient. Die einfache Handhabung für das Wechseln von verschiedenen Aufträgen ist dank der grafischen Oberfläche möglich. In Kombination mit dem Kabelablagensystem kann per Maus-klick zwischen Doppelcrimp- und Einzel-leiterverarbeitung gewechselt werden.



Zubehör

Die komax Alpha 477 kann mit verschiedenem Zubehör auf kundenspezifische Bedürfnisse abgestimmt werden und bleibt offen für zukünftige Anforderungen.

Kabelvorverarbeitung

- Tintenstrahldrucker
- Kontinuierliche Kabelzuführung

Verarbeitungsstationen

- Crimpmodul MCI 711
- Kontaktzuführungen mit Papierstreifenwickler
- Kontaktstreifenschneider
- Tüllenbestückungsmodul MCI 761

Prozeßüberwachungen

- Crimpkraftüberwachung
- Tüllenüberwachung
- Spleißüberwachung
- Kabelend- und Knotenüberwachung

Diverse

- Transportbandverlängerungsmodul 4 m
- Signalleuchte
- Ablagetisch
- Kabelmesstisch
- Arbeitslupe
- Pinch-Rolle

Technische Daten

Leitungsquerschnitte:

0,22–4 mm² (AWG 24–12), Querschnittverhältnis < 1:4, Doppelcrimp < 6 mm²

Längenbereich:

60–65.000 mm (optional ab 35 mm)

Längenrepetition:

± 1 mm bzw. < 0,2 % abhängig von der Kabellänge

Absolierlängen:

0,1–15 mm
Kabeltransportgeschwindigkeit:
max. 10 m/s

Geräuschpegel:

< 75 dB (ohne Crimpmodule)

Pneumatischer Anschluß:

4–6 bar

Luftverbrauch:

27 m³/h

Elektrischer Anschluß:

3 x 208–480 V, 50–60 Hz, 7 kVA

Maße (B x T):

6220 x 1780 mm (244,88 in. x 70,08 in.)

Geschlossene Höhe:

2000 mm (78,74 in.)

Offene Höhe:

2900 mm (114,17 in.)

Accessories

With the wide range of available accessories, the komax Alpha 477 can be adapted to your specific needs yet remains ever ready to handle new future requirements.

Preliminary Wire Processing

- Ink-jet marker
- Continuous wire feed

Processing Stations

- MCI 711 crimping module
- Contact feed units with paper strip take-up unit
- Contact strip cutter
- MCI 761 seal applicator

Process Monitoring Units

- Crimp force analysis
- Seal monitoring
- Splice detection
- Wire end and knot detection

Miscellaneous

- Conveyor belt extension module, 4 m
- Signal light
- Deposit table
- Wire measuring table
- Operator's magnifying glass
- Pinch roll

Technical Data

Wire Sizes:

0,22–4 mm² (AWG 24–12), Cross Section < 1:4, Double Crimp < 6 mm²

Length Range:

60–65,000 mm (optional from 35 mm)

Length Repetition:

± 1 mm bzw. < 0,2 % depending on wire length

Stripping Lengths:

0,1–15 mm

Wire Feed Rate:

max. 10 m/s

Noise Level:

< 75 dB (not including crimping module)

Compressed Air Connection:

4–6 bar

Air Consumption:

27 m³/h

Electrical Connection:

3 x 208–480 V, 50–60 Hz, 7 kVA

Dimensions (W x D):

6220 x 1780 mm (244,88 in. x 70,08 in.)

Closed Height:

2000 mm (78,74 in.)

Open Height:

2900 mm (114,17 in.)

Application Tooling and Equipment (continued)

Lead Maker komax Alpha 477

Ergonomics plus Flexibility

The Alpha 477 allows you to process a wide variety of wire combinations into a double crimp with up to three different contacts and two different seals.

Controlled Processing

The two belt drives with AC servo axes and integrated ACS (anti slip control system) transport the wires into the processing machine.

Highly dynamic servo technology is utilized for stripping in the cutting head and for positioning in the processing stations. With this sophisticated handling technology, two wires can be processed in parallel and their ends prepared in a controlled production process.

Ergonomics

Thanks to a large swivel radius of 400 mm, the stations are highly accessible to the operator. The proven peripheral devices, the MCI 711 and the MCI 761, can be added to the Alpha 477 to achieve the ultimate in system ergonomics. With the quality monitoring units integrated right into the system, optimum controlled production is guaranteed. Functions like parameter compensation are readily available thanks to the reliable MCI communication with the peripheral devices.

Wire Deposit System

With the integrated head cutting feature, the two wires can be separated on the side with the double crimp. The small number of active elements are integrated into the machine in such a way as to ensure unrestricted operation and accessibility. The standard configuration includes such proven and reliable features as the automatic post-production of defective wires and a wire deposit system with batch size sorting.

Comprehensive

Range of Possible Processes

The arrangement of six processing stations plus a double gripper unit make for highly diverse processing possibilities. As a result, the Alpha 477 can grow and expand to meet your future needs. Individual wires with cross sections of 0,22 mm² to 4,0 mm² can be processed. The maximum total cross section of a double crimp can be as large as 6 mm².

Flexibility Throughout

The machine is operated with TopWin software under Windows NT 4.0. Changing different orders is extremely easy with this graphic interface. In combination with the wire deposit system, the operator can change from double crimping to individual wire processing and back with a single mouse click.

Verarbeitungs-Werkzeuge und -Maschinen (Fortsetzung)

Lead Maker komax Alpha 488

Wirtschaftliche Verarbeitung von Twisted Pair

Mit der Alpha 488 ist die Fertigung von einzelnen Leitungen und deren Verdrillung inklusiv aller Qualitätskontrollen in einer einzigen Maschine integriert. Sie ist dank neuesten Technologien und konsequentem Kombinieren mit Bewährtem wie TopWin Bedienoberfläche, Crimpmodul MCI 711, Tüllenmodul MCI 761 usw. für die wirtschaftliche Verarbeitung verdrillter Leitungen konzipiert. Aus Endlosleitungsmaterial kann die Alpha 488 komplett bearbeitete verdrillte Leitungen erstellen. Dieser Twist-vollautomat kann Leiterquerschnitte von $2 \times 0,22 \text{ mm}^2$ bis zu $2 \times 2,5 \text{ mm}^2$ (Option) verarbeiten. Vier Stationen auf der Seite 1 und zwei auf der Seite 2 bieten flexible Verarbeitungsmöglichkeiten wie beidseitiges Tüllen bestücken und Crimpen.

Bedienerfreundlichkeit

Mit der Verwendung des Tüllenmoduls MCI 761 und des Crimpmoduls MCI 711 wird eine Gesamtanlage mit optimaler Zugänglichkeit erreicht. Damit sind Schnellwechselsysteme und integrierte Überwachungen eine Selbstverständlichkeit. Dank einem Schwenkradius von 400 mm sind beste Zugriffsmöglichkeiten zu den Stationen gewährleistet.

Verdrillen mit Dynamik

Der Verdrillkopf mit AC-Servoantrieb ist das Herzstück der Alpha 488 und bringt die nötige Dynamik. Für einen regelmäßigen Verdrillvorgang sorgt der integrierte TFA (Twist Force Analyzer). Diese überwacht die Kräfte während des Verdrillvorganges und regelt die Nachstellbewegung des Verdrillkopfes. Automatische Nachproduktion von fehlerhaften Leitungen sowie die Kabelablagewanne mit integrierter Losgrößensortierung gehören ebenfalls zur Standardausrüstung.

TopWin

Alle wichtigen Parameter wie Schlaglänge, offene Leitungsenden, Zugkraft und viele mehr können komfortabel in der TopWin-Bedienoberfläche eingestellt und abgespeichert werden.

Wirtschaftlichkeit dank Leistung

Die Parallelverarbeitung von zwei Leitern und die Aufteilung in drei optimal synchronisierte Hauptprozesse ergeben bei einem Meter Endlänge einen Ausstoß von über 1000 verdrillter Leitungen pro Stunde.

... und sehr große Flexibilität

Falls ihre Produktionsmengen an verdrillten Leitungen nicht für die volle Auslastung der Alpha 488 reichen, können sie von ihrer Flexibilität profitieren. Beidseitiges Crimpen und Tüllen bestücken sind natürlich auch hier möglich.



Zubehör

Kabelvorverarbeitung

- Tintenstrahldrucker
- Kontinuierliche Kabelzuführung

Verarbeitungsmodule

- Crimpmodul MCI 711
- Kontaktzuführungen mit Papierstreifenwickler
- Kontaktstreifenschneider
- Tüllenbestückungsmodul MCI 761

Prozeßüberwachungen

- Crimpkraftüberwachung
- Tüllenüberwachung
- Twist Force Analyser TFA
- Delta Length Analyser DLA
- Spliceüberwachung

Technische Daten

Leitungsquerschnitte:

$2 \times 0,22 \text{ mm}^2$ – $2 \times 1,5 \text{ mm}^2$ AWG 24–16
(Optional $2,5 \text{ mm}^2$ bzw. AWG 14)

Längenbereich:

700–4000 mm (27,6–157,5 in.)
700–7000 mm (27,6–275,6 in.)
(Endlänge verdrillte Leitungen)

Längengenauigkeit:

$\pm 1,5 \text{ mm}$ bzw. $< 0,3 \%$ abhängig von der Kabellänge

Abisolierlängen: 0,1–15 mm

Offene Leitungsenden:

30–50 mm, abhängig von Material u. Drall

Schlaglänge:

10–80 mm programmierbar

Kabeltransportgeschwindigkeit:

max. 5 m/s

Geräuschpegel:

$< 75 \text{ dB}$ (ohne Crimpmodule)

Pneumatischer Anschluß: 4–6 bar

Luftverbrauch: $12 \text{ m}^3/\text{h}$

Elektrischer Anschluß:

3×208 – $480 \text{ V}/50$ – 60 Hz , 7 kVA

Maße (B x T):

$8250 \times 1950 \text{ mm}$ (322,83 x 76,77 in.)

Geschlossene Höhe: 1790 mm (70,5 in.)

Offene Höhe: 2670 mm (105,1 in.)

Accessories

Preliminary Wire Processing

- Ink jet marker
- Continuous wire feed

Processing Modules

- MCI 711 crimping module
- Contact feed units with paper strip take-up unit
- Contact strip cutter
- MCI 761 seal application module

Process Monitoring Units

- Crimp force analysis
- Seal monitoring
- Twist Force Analyser TFA
- Delta Length Analyser DLA
- Splice detection

Technical Data

Wire Cross Sections:

$2 \times 0,22 \text{ mm}^2$ – $2 \times 1,5 \text{ mm}^2$ AWG 24–16
(optional $2,5 \text{ mm}^2$ or AWG 14)

Length Range:

700–4000 mm (27,6–157,5 in.)
700–7000 mm (27,6–275,6 in.)
(end length of twisted pairs)

Length Repetition:

$\pm 1,5 \text{ mm}$ bzw. $< 0,3 \%$ depending on wire length

Stripping Lengths: 0.1–15 mm

Open Wire Ends:

30–50 mm, depending on material and lay

Length of Lay:

10–80 mm programmable

Wire Draw-In Speed:

max. 5 m/s

Noise Level:

$< 75 \text{ dB}$ (not including crimping modules)

Compressed Air Connection: 4–6 bar

Air Consumption: $12 \text{ m}^3/\text{h}$

Power Connection:

3×208 – $480 \text{ V}/50$ – 60 Hz , 7 kVA

Dimensions (W x D):

$8250 \times 1950 \text{ mm}$ (322,83 in. x 76,77 in.)

Closed Height: 1790 mm (70.5 in.)

Open Height: 2670 mm (105,1 in.)

Application Tooling and Equipment (continued)

Lead Maker komax Alpha 488

Economical Processing of Twisted Pairs

With the Alpha 488, the processing and twisting of individual wires plus all quality check units are integrated in a single machine. This product was designed for the economical processing of twisted pairs, consistently combining as it does state of the art technology with proven system elements like TopWin user interface, the MCI 711 crimping module, the MCI 761 seal module, etc.

The Alpha 488 creates fully processed twisted pairs from endless wire. This automatic twisting machine can accommodate wires with cross sections of $2 \times 0,22 \text{ mm}^2$ up to $2 \times 2,5 \text{ mm}^2$ (optional). Four stations on side 1 and two on side 2 make for flexible processing possibilities such as double-ended seal application and crimping.

User Friendly

Maximum overall accessibility is achieved when the system is combined with the MCI 761 seal module and the MCI 711 crimping module. Rapid changing systems and integrated monitoring units are naturally a part of the design. The swivel radius of 400 mm ensures optimum access to the stations.

Dynamic Twisting

The twisting head with AC drive is at the heart of the Alpha 488 and provides the system with the requisite dynamics. An integrated TFA (Twist Force Analyzer) ensures the regularity of twisting. The TFA monitors the forces applied during twisting and controls the corrective motion of the twisting head. The standard unit also includes automatic post-production of defective wires and a wire deposit tray with integrated batch sorting.

TopWin

Length of lay, open wire ends, tensile force and all other key parameters are easy and convenient to set and store with the TopWin user interface.

Performance-Based Economy

With the parallel processing of two wires and a division into three optimally synchronized main processes, final lengths of one meter can be produced at a rate of 1000 twisted pairs per hour.

... and Incredible Flexibility

If the quantity of twisted pairs you produce does not utilize the full capacity of the Alpha 488, you can benefit from its flexibility. Double-ended crimping and seal application are naturally also a possibility.

Verarbeitungs-Werkzeuge und -Maschinen (Fortsetzung)

Lead Maker komax ARA 600 W

Konkurrenzlose Flexibilität und Modularität

Die ARA 600 W ist das ideale Verarbeitungscenter für kleine und umfangreiche Losgrößen. Durch die hohe Produktivität und Flexibilität eignet sich die ARA 600 W perfekt für die JIT-Produktion.

Verarbeitungsmöglichkeiten

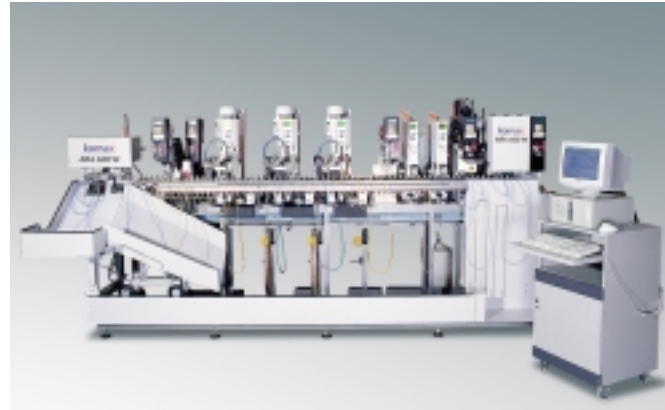
Mit der ARA 600 W kann eine Vielzahl verschiedener Produkte hergestellt werden. Je nach Applikation sind folgende Verarbeitungen möglich:

- Crimp / Crimp
- Tülle / Tülle
- Doppelcrimp
- Doppelcrimp als Endloskette
- Beidseitiges Gehäusebestücken
- IDC-Bestücken

Modularer Aufbau

Um die ARA 600 W auf die jeweiligen Bedürfnisse anzupassen, ist sie mit einer Vielzahl von Modulen und Zubehör bestückbar:

- Kabelwechsler mit 12, 24 oder 36 Kabeln
- Programmierbare Abisolierstation
- Programmierbare Crimpmaschine
- Tüllenmodul komax MCI 761
- Crimpmodul komax MCI 711 mit CFA
- Doppelcrimpmodul
- Hülsenbestücker
- Handlingsmodul für Doppelcrimp und Daisy-Chains
- Schlecht-Kabel Schneidmodul
- Abbindemodul
- Etikettiermodul
- Ink-Jet Drucker



Technische Daten

- Längenbereich:**
220–10.000 mm
- Abisolierlänge:**
3–18 mm
- Querschnittsbereich:**
0,35 (0,22) mm² bis 4,0 (6,0) mm²
- Leitungsdurchmesser:**
1–5 mm
- Abmessungen:**
4220 mm x 3540 mm x 2060 mm
- Elektrischer Anschluß:**
230–380 V / 50–60 Hz
- Betriebsdruck:**
6,5 bar

Ihr Gewinn

- Wenig Umrüstarbeiten garantieren hohe Produktivität, z. B. Produktionswechsel
- Hohe Flexibilität durch Modularität der Maschine / Software
- Mehr als 6 Verarbeitungsstationen für beide Kabelenden verwendbar
- Vielfältige Verarbeitungsmöglichkeiten
- Auch für kleine Lose, Sequenzen oder Batchsequenzen geeignet
- Einfachste Entnahme der produzierten Kabel durch Abbinden/Bündeln
- Identische Technologie bis hin zu den komplexen Kabelbaum-Verarbeitungsmaschinen

Technical Data

- Length Range:**
220–10,000 mm
- Stripping Length:**
3–18 mm
- Cross Section Range:**
0.35 (0.22) mm² to 4.0 (6.0) mm²
- Wire Diameter:**
1–5 mm
- Dimensions:**
4220 mm x 3540 mm x 2060 mm
- Electrical Connection:**
230–380 V / 50–60 Hz
- Compressed Air:**
6.5 bar

Your Benefit

- Low set-ups for high productivity, by instant change of production
- High flexibility by modularity of the machine and software
- More than 6 working stations for both wire ends available
- High number of workstations
- Wide variety of processes available
- Also well-suited for small batches or sequences or batch-sequences
- The best off-loading of the production by taped bundles
- The same technology, up to the complex harness machines

Application Tooling and Equipment (continued)

Lead Maker komax ARA 600 W

Unrivalled Flexibility and Modularity

The ARA 600 W is the ideal processing center for small and large batch sizes. Due to the high productivity and flexibility the ARA 600 W is perfectly suited for just-in-time production.

Application Range

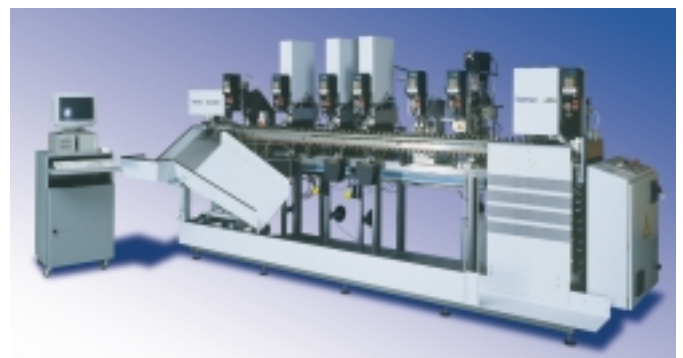
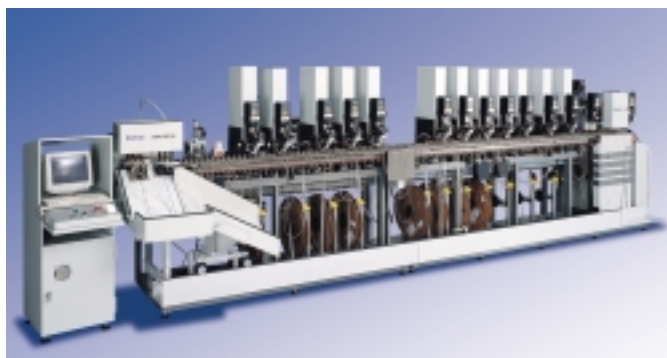
The ARA 600 W allows the processing of many different products. Depending on the application the following processes are possible:

- Crimp / Crimp
- Seal / Seal
- Double crimp
- Double crimp as daisy chains
- Block loading on both sides
- IDC-insertion

Modular Layout

Numerous modules and accessories can be mounted on the ARA 600 W for your specific needs:

- Wire changer with 12, 24 or 36 wires
- Programmable stripping station
- Programmable crimp machine
- Seal application module komax MCI 761
- Crimp module komax MCI 711 with CFA
- Double crimp module
- Sleeve application module
- Handling module for double crimp and daisy chains
- Bad wire cutting module
- Bundling station
- Labelling station
- Ink jet marker



Verarbeitungs-Werkzeuge und -Maschinen (Fortsetzung)

Application Tooling and Equipment (continued)



Lead Maker komax ARA Hochgeschwindigkeits-S-System mit Ladeeinheit für Einzelleiter

- Hochleistungs-Lead Maker zum Bestücken von Gehäusen mit Kontakten mit oder ohne Einzelleiter-Dichtungen
- Die Zykluszeit beträgt 1,4 Sekunden
- Hohe Produktionsleistung bei Fertigung von Teilkabelbäumen und -Modulen
- Prozeßsichere Verarbeitung durch die Monitor-Überwachung



Besonderheiten

- Einseitige Gehäusezuführung
- Aufbringen von Einzelleiter-Dichtungen passend zum Kontakt
- Verarbeitungsmöglichkeit verschiedener Leitungsgrößen, Einzelleiter-Dichtungen und einer Vielzahl von Kontakten
- Produzierbar sind doppelte Crimpverbindungen als auch Verkettungen
- Überwachung der Crimp-Qualität
- Verrast-Prüfung der Kontakte in den Gehäusen

Lead Maker komax ARA S-System High Speed Single End Blockloader

- Single sided housing installation
- High production capacity when producing partial cable harnesses and cable harness modules
- Cycle time less than 1.4 seconds per termination
- Tested quality (monitoring the termination process)



Special Characteristics

- Single wire seals fitted to contacts
- Production of lot sizes or a type of cable harness possible
- Production of double crimps and daisy chains
- Handling of the secondary locking mechanism
- Crimp quality monitoring
- Checking the secure latching of the contacts in the housing

ARA S-System mit zweifach Lade-Einheit

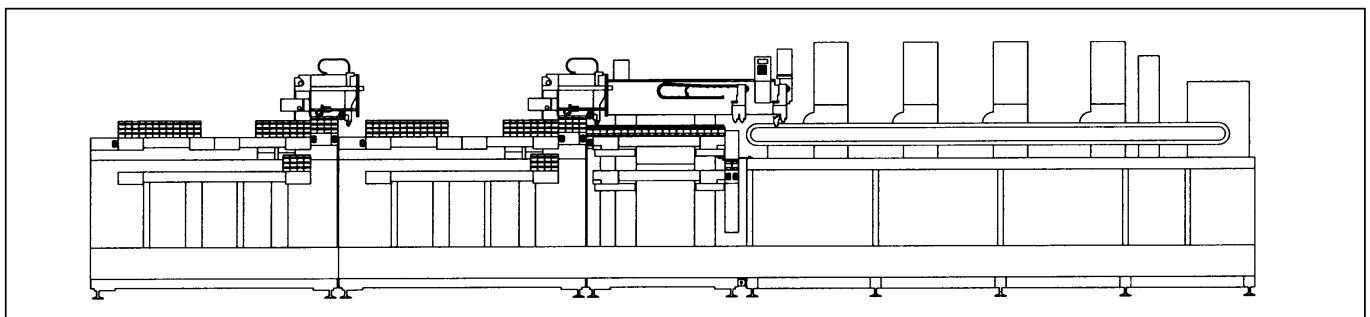
- Zweiseitige Gehäuse-Bestückung
- Hochproduktives System bei der Herstellen von Kabelbäumen
- Die Zykluszeit beträgt 1,4 Sekunden.

Eigenschaften: Siehe S-System mit Ladeeinheit für Einzelleiter

ARA S-System High Speed Double End Blockloader

- Double ended housing installation
- High production capacity when producing cable harnesses
- Cycle time less than 1.4 sec per termination and wire

Characteristics: See S-System (High Speed Single End Blockloader)



Verarbeitungs-Werkzeuge und -Maschinen (Fortsetzung)

Crimp Terminator komax MCI 711

Ein Crimpmodul mit vielen Pluspunkten

Anwendungsbereich

Die komax MCI 711 ist ein Crimpmodul, daß sich ideal in unsere Gesamtsysteme einbinden läßt. Was bei konventionellen Lösungen mehrere Schnittstellen mit einigen Verbindungskabeln fordert, wird bei diesem Modul durch eine einzige MCI-Schnittstelle bewerkstelligt.

Hoher Bedienkomfort

Das innovative OMI (Operator Machine Interface) mit nur zwei Tasten und einem digitalen Potentiometer garantiert höchsten Bedienkomfort. Die Schnellspannvorrichtung für das Crimpwerkzeug gehört ebenfalls zur Standardausrüstung.

Integrierte Qualitätsüberwachung

Die integrierte Crimpkraftüberwachung ist nach den neuesten technischen Erkenntnissen entwickelt worden. Zur Standardausrüstung gehört auch das Darstellen der Crimpkurve auf dem OMI. Diese Überwachung ist voll kompatibel zur Crimpkraftüberwachung CFA 326.

Weltweite Flexibilität

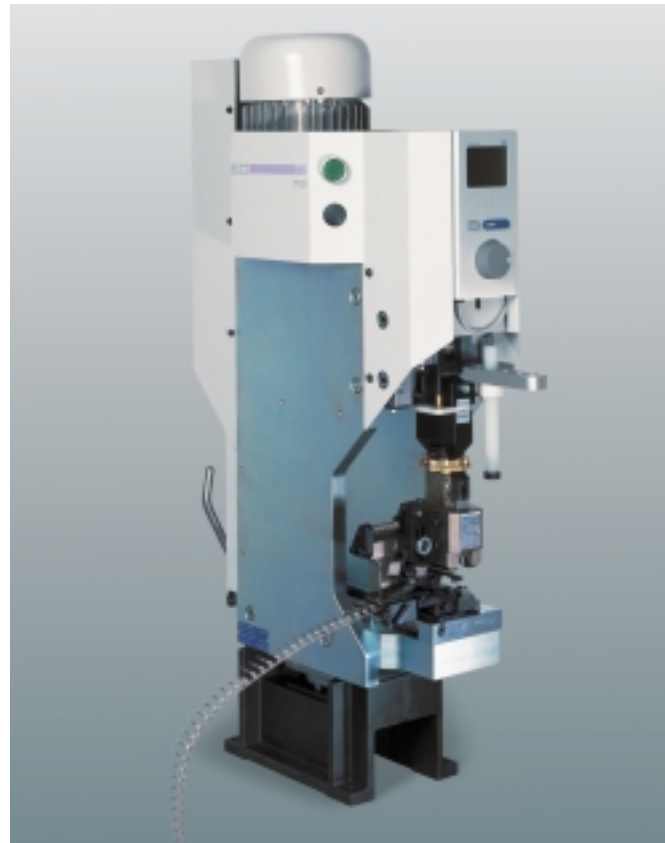
Die MCI 711 kann an verschiedene Spannungsnetze von 1 x 110 V bis 3 x 480 V angeschlossen werden. Der Pressenhub kann zwischen 10 und 40 mm frei programmiert werden.

Schnittstellen für Modulzubehör

Schnittstellen für Kontaktzuführung, Überwachung des Kontaktendes, Papieraufwickler als auch externe Kontaktstreifenschneider sind standardmäßig vorhanden und können mittels OMI parametrisiert werden.

Optionen

- Airfeeder
- Kontaktstreifenschneider
- CFA Kalibriereinheit



Technische Daten

Preßkraft:
20 kN

Querschnittsbereich:
bis 6 mm²

Hubverstellung:
programmierbar von 10–40 mm

Crimpkraftüberwachung:

- RAM-Adapter mit integriertem CFA-Sensor
- mehrstufige Auswertung über drei Meßzonen
- Kalibriermöglichkeit für Absolutkraftmessung in kN
- CFA 326 kompatibel
- MCI 711 kompatibel

Kommunikation:

- OMI-Bediengerät
- MCI-Schnittstelle für neue Automaten

Elektrischer Anschluß:
1 x 115 V nom. (1 x 90–130 V) 50–60 Hz
1 x 230 V nom. (1 x 180–260 V) 50–60 Hz
3 x 230 V nom. (3 x 180–260 V) 50–60 Hz
3 x 400 V nom. (3 x 308–528 V) 50–60 Hz

Zykluszeit 0–270°:
ca. 220 ms

Abmessungen (B x H x T):
350 mm x 750 mm x 500 mm

Masse:
ca. 100 kg

Modulfuß:
Höhenverstellung 25 mm

Technical Data

Press Force:
20 kN

Cross Section:
to 6 mm²

Stroke Adjustment:
programmable from 10–40 mm

Crimp Force Analysis:

- RAM-adapter with integrated CFA sensor
- multi-stage evaluation over three measurement zones
- calibration of absolute force measurement in kN
- CFA 326 compatible
- MCI 711 compatible

Communication:

- OMI controller
- MCI interface for new machines

Electrical Supply:
1 x 115 V nom. (1 x 90–130 V) 50–60 Hz
1 x 230 V nom. (1 x 180–260 V) 50–60 Hz
3 x 230 V nom. (3 x 180–260 V) 50–60 Hz
3 x 400 V nom. (3 x 308–528 V) 50–60 Hz

Cycle Time 0–270°:
approx. 220 ms

Dimensions (W x H x D):
350 mm x 750 mm x 500 mm

Weight:
approx. 100 kg

Modul Base:
Height adjustment up to 25 mm

Application Tooling and Equipment (continued)

Crimp Terminator komax MCI 711

A Crimp Terminator with a Host of Pluses

Application

The komax MCI 711 is a crimp terminator that can be integrated perfectly into our crimp to crimp machines. Unlike conventional crimping units, the MCI 711 does not require several different interfaces and connecting cables. A single MCI interface handles it all.

High Level of Operating Convenience

Superb operating comfort and convenience are guaranteed by the innovative OMI (Operator Machine Interface) which has just two keys and a digital potentiometer. The quick lever system is part of the standard version too.

Integrated Quality Surveillance

The integrated crimp force analyzer incorporates the very latest technological findings. The display of the crimping curve on the OMI is a standard feature. The monitoring unit is fully compatible to the crimp force analyzer CFA 326.

Flexibility Worldwide

The MCI 711 can be run on a variety of voltage networks, from 1 x 110 V to 3 x 480 V. The stroke is programmable between 10 and 40 mm.

Interfaces for Module Accessories

Interfaces for terminal dereeler, end-of-terminal detection, external carrier strip cutter, etc. are all included as standards and their parameters can all be set using the OMI.

Options

- SC-11 stripper
- Contact strip cutter
- CFA calibration unit

Verarbeitungs-Werkzeuge und -Maschinen (Fortsetzung)

Scat Modul komax MCI 761

Innovation in der Tüllenbestückung

Das Tüllenmodul MCI 761 ist ein überaus leistungsstarkes Gerät zur automatischen Bestückung von Einzeladerabdichtungen. Es besitzt einen bei solchen Modulen noch nie erreichten Bedienkomfort. Mit nur zwei Tasten und einem digitalen Potentiometer können sämtliche Eingaben gemacht werden. Das übersichtliche Grafikdisplay OMI orientiert in der angewählten Sprache über den aktuellen Verarbeitungsstatus.

Die speziell für die neue komax Automaten-Generation entwickelte MCI-Schnittstelle ermöglicht eine kostengünstige und äußerst effiziente Maschinenkommunikation. Software-Updates des Moduls sind über diese Schnittstelle möglich. Die schmale Bauweise des Moduls läßt viel Spielraum für zukünftige Maschinenkonzepte. Optional ist eine integrierte Tüllenüberwachung erhältlich.

Großes Tüllensortiment

Mit der komax MCI 761 können alle gängigen Tüllenvarianten bis 17 mm Durchmesser verarbeitet werden.

Schonende Tüllenverarbeitung

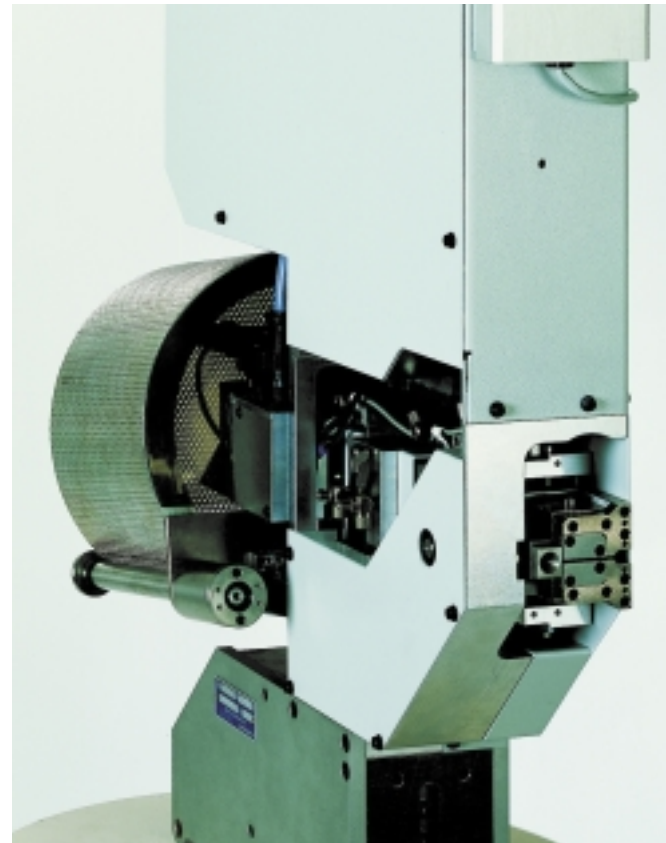
Das bei der komax 136 vielfach bewährte Grundprinzip mit mehrmaligem Aufweiten der Gummütüllen wurde beibehalten und bürgt für eine überaus schonende Behandlung des Bestückungsgutes. Neue Ideen bei der Umsetzung wurden mit modernster Fertigungstechnik kombiniert.

Zeit und Kosten sparen

Der modulare Aufbau gewährt hohe Flexibilität. Durch den konsequenten Einsatz von Schnellverschlüssen für alle tüllen-abhängigen Applikationsteile sowie durch das softwareunterstützte Anfahren von speziellen Einrichtpositionen werden die Umrüstzeiten sehr kurz. Einstell- und Justierarbeiten entfallen gänzlich. Für höchstmögliche Zugänglichkeit läßt sich die komax MCI 761 über den höhenverstellbaren Modulfuß nach hinten kippen.

Option Tüllenüberwachung

Material- oder Bestückungsfehler werden mit dieser Option frühzeitig erkannt, angezeigt und betroffene Produkte aussortiert. Der Einrichtaufwand ist minimal, da weder mechanische noch parameter-spezifische Abgleichungen nötig sind. Außerdem lassen sich schon bestehende Tüllenmodule auf einfache Art nachrüsten. Aufgrund der geringen Außenmaße läßt sich die Tüllenüberwachung platzsparend integrieren. Die grafische Darstellung auf dem OMI ist übersichtlich und die Bedienung einfach.



Eigenschaften der Tüllenüberwachung

- Intelligente Kommunikation mit der Maschine
- Standardwerte für die meisten Kabel-/Tüllenkombinationen
- Integriert in MCI 761 und TopWin
- Optimale Zugänglichkeit durch einen schwenkbaren Sensor

Zubehör

- Applikations-Set für alle gängigen Einzeladerabdichtungen
- Bestückungskopf für Tüllen größer als 10 mm Durchmesser oder 11 mm Länge

Technische Daten

- Tüllendurchmesser:**
max. 10 mm (optional 17 mm)
- Tüllenlänge:**
max. 11 mm (optional 16 mm)
- Bestückungsleistung:**
ca. 4500 Stück/h
- Umrüstzeiten:**
kleiner als 4 Minuten
- Elektrischer Anschluß:**
110–220 V, 50–60 HZ
- Pneumatischer Anschluß:**
5–8 bar

Features of the Seal Monitoring

- Intelligent communication with the machine
- Default settings for most lead or seal sets
- Integrated into MCI 761 and TopWin
- Optimum access with swiveling sensor

Accessories

- Application set for all common types of single-conductor seals
- Application head for seals greater than 10 mm in diameter or 11 mm in length

Technical Data

- Seal Diameter:**
max. 10 mm (optional 17 mm)
- Seal Length:**
max. 11 mm (optional 16 mm)
- Application Capacity:**
approx. 4500 seals per hour
- Conversion Times:**
less than 4 minutes
- Electrical Connection:**
110–220 V, 50–60 Hz
- Pneumatic Connection:**
5–8 bar

Application Tooling and Equipment (continued)

Scat Modul komax MCI 761

Innovation in Seals Application

The MCI 761 is a high performance seal module for applying seals to individual conductors. It offers a degree of operating convenience never before achieved by such modules. All inputs can be made with just two keys and a digital potentiometer. The straight forward OMI graphics display provides information in the selected language about the current processing status.

The MCI interface was specially designed for the new generation of automatic komax machines. It enables cost-effective and extremely efficient machine communication and can be used for updates of the module software. With its narrow design, the module leaves plenty of space for future machine designs. An integrated seal monitor is available as an option.

Large Assortment of Seals

The komax MCI 761 can process all common types of seals up to 17 mm in diameter.

Gentle Seal Processing

The komax 136 has retained the tried and tested basic module principle entailing repeated spreading of the rubber seals. This method ensures that the seals are very gently handled. In implementing the design, new ideas were combined with the very latest in manufacturing technology.

Saves Time and Cuts Costs

The modular design ensures unsurpassed flexibility. Conversion times are extremely short thanks to the consistent use of quick-release locks for all seal-dependent application parts and the software-assisted approach to special setup positions. The need for adjustments is eliminated completely. Optimum accessibility is also guaranteed since the komax MCI 761 has a height-adjustable module base that allows it to be tipped back.

Optional Seal Monitoring

This option detects and signals material or application errors very early on, and the affected products are sorted out from the rest. Setup requires only minimal effort because no adjustments are required mechanically or in relation to the parameters. Moreover, already existing seal modules can be easily converted. Owing to its compact size, little space is required to integrate the seal monitoring unit. The graphic representation on the OMI is straight forward, and the device is easy to operate.

Verarbeitungs-Werkzeuge und -Maschinen (Fortsetzung)

Kontakt-Einsetzmaschine P 200

Für automatische Platinenbestückung

Die P 200 ist eine vollautomatische Tischmaschine, mit der sich Leiterplatten zum Einsetzen von AMP-Kontakten präzise unter einem eingebauten Werkzeug positionieren lassen.

Die Leiterplatten-Aufnahme ist den entsprechenden kundenspezifischen Anwendungen angepaßt. Die Werkzeuge sind produktspezifisch konstruiert und lassen sich mittels der einfachen mechanischen und elektrischen Schnittstelle leicht in die Maschine einbauen.

Der drehbare Setzfinger ermöglicht es, die Kontakte in unterschiedlichen Winkeln in die Leiterplatte einzusetzen.

Mit dem leistungsfähigen Multi-Tasking-System werden Programmierung und Bedienung der Maschine leicht gemacht.

Eine komfortable Bedienung über Folientastatur und LCD-Display zeichnen die X/Y-Einsetz-Maschine aus.



Application Tooling and Equipment (continued)

Automatic Machine P 200

For Contact Insertion into PC Boards

The P 200 is a fully automatic bench machine which accurately positions manually loaded PCBs underneath an insertion head. The tool may be a solder head, a camera for automatic inspection, or an insertion head for the application of AMP products.

Insertion tools for AMP products are composed of an insertion head (upper tooling), an anvil (lower tooling) and a product feeding mechanism. These tools are product specific and the PCB holder is designed according to the customer application.

A rotary insertion finger allows the insertion of pins in different orientations.

Because of a simple mechanical and electrical interface, other tools can easily be integrated into the machine.

The excellent performance of a multi-tasking control system allows easy programming and operation of the machine.

Produkt-Merkmale

- X/Y Koordinaten-Tisch mit Schrittmotoren
- Präzise Positionierung der Leiterplatte bis zu 0,02 mm
- Hohe Leistungsfähigkeit mittels Multi-Tasking-System
- Breite Werkzeugalette verfügbar
- Universelle Werkzeug-Schnittstelle
- Komfortable Bedienung

Technische Daten

Abmessungen

Länge: 850 mm

Breite: 850 mm

Höhe: 800 mm

Elektrischer Anschluß:
230 V, 50 Hz

Druckluftanschluß:
600 kPa

Schalldruckpegel:
< 75 dB (A)

Einsetzbereich:
max. 210 mm x 300 mm

Wiederholgenauigkeit:
± 0,02 mm

Maschinenleistung:
90 Stifte pro Minute,
60 Buchsen pro Minute

Verarbeitbare AMP Produkte

- ACTION PIN Stifte
- AMPMODU I Buchsen
- AMPMODU II Buchsen
- Junior Timer mit ACTION PIN
- Flachlötstifte
- FFC Kontakte
- EON Kontakte
- Weitere Kontakte auf Anfrage

Technical Data

Dimensions

Length: 850 mm

Width: 850 mm

Height: 800 mm

Power Supply:
230 V, 50 Hz

Compressed Air Supply:
600 kPa

Sound Pressure Level:
< 75 dB (A)

Insertion Area:
max. 210 mm x 300 mm

Repeatability:
± 0.02 mm

Machine Performance:
90 pins per minute,
60 receptacles per minute

AMP Products which can be processed

- ACTION PIN pins
- AMPMODU I receptacles
- AMPMODU II receptacles
- Junior Timer with ACTION PIN
- Flat solder tabs
- FFC contacts
- EON contacts
- Other contacts on request

Product Features

- X/Y coordinate table with stepper motors
- Precise positioning to 0.02 mm
- High performance multi-tasking control
- Wide range of insertion heads for AMP products available
- Versatile interface for the incorporation of other tools
- Easy to use operator interface

Verarbeitungs-Werkzeuge und -Maschinen (Fortsetzung)

Kontakt-Einsetzmaschine P 300

Für automatische Platinenbestückung

Mit der vollautomatischen Maschine P 300 lassen sich Leiterplatten zum Einsetzen von AMP-Kontakten präzise unter einem eingebauten Werkzeug positionieren.

Die Werkzeuge sind produkt-spezifisch konstruiert.

Eine Vielzahl von Optionen erlaubt die Anpassung dieser Kontakt-Einsetzmaschine an unterschiedlichste Fertigungsaufgaben. So stehen eine Einsetzkraft-Überwachung für die Sicherstellung der Einpreßqualität, Transferbänder zum Einbinden in automatische Transfer-Systeme und vieles andere mehr zur Verfügung.

Das leistungsfähige Multi-Tasking-System macht Programmierung und Bedienung der Maschine leicht. Programmieren läßt sich die Maschine entweder mittels PC oder durch Koordinateneingabe am Bedienfeld der Maschine oder durch die Konvertierung von CAD-Daten.

Eine komfortable Bedienung über Folientastatur und LCD-Display zeichnen die X/Y-Einsetz-Maschine aus.

Es steht optionales Zubehör zur Verfügung, das eine spezifische Anpassung der P 300 an die Erfordernisse der meisten Kunden ermöglicht.

Produkt-Merkmale

- Vorrichtung zum Wechseln von maximal drei Setzwerkzeugen
- Exakte Positionierung auf $\pm 0,02$ mm
- Automatische Positionskorrektur durch optische Sensoren
- Messung der Leiterplattendicke und Anpassung der Einsetztiefe für gleichbleibende Setzqualität
- Leiterplatten-Wendeeinheit zum Bestücken von Löt- und Bauteilseite
- Überwachung der Einsetzkraft

Optionen

- Softwarepaket zum Konvertieren von CAD-Daten
- Setzköpfe mit manueller Höheneinstellung
- Komponenten für den Einsatz in automatischen Leiterplatten-Transfer-Systemen
- Halbautomatisches System für Leiterplattenbestückung
- Verschiedene weitere Optionen stehen auf Anfrage zur Verfügung



Technische Daten

Abmessungen

Länge: 1460 mm
Breite: 1640 mm
Höhe: 1520 mm

Elektrischer Anschluß:
3 x 400 V, 16 A / 50 Hz

Druckluftanschluß:
600 kPa

Schalldruckpegel:
< 75 dB (A)

Einsetzbereich:
max. 600 mm x 400 mm

Wiederholgenauigkeit:
 $\pm 0,02$ mm

Maschinenleistung:
90–120 Stifte pro Minute,
60 Buchsen pro Minute

Verarbeitbare AMP Produkte

- ACTION PIN Stifte
- AMPMODU I Buchsen
- AMPMODU II Buchsen
- Junior Timer mit ACTION PIN
- PCB Kontakte für 2,5 mm Stifte
- Flachlötlötlitze
- ACTION PIN F-Post
- EON Kontakte
- Weitere Kontakte auf Anfrage

Technical Data

Dimensions

Length: 1460 mm
Width: 1640 mm
Height: 1520 mm

Power Supply:
3 x 400 V, 16 A / 50 Hz

Compressed Air Supply:
600 kPa

Sound Pressure Level:
< 75 dB (A)

Insertion Area:
max. 600 mm x 400 mm

Repeatability:
 ± 0.02 mm

Machine Performance:
90–120 pins per minute
60 receptacles per minute

AMP Products which can be processed

- ACTION PIN pins
- AMPMODU I receptacles
- AMPMODU II receptacles
- Junior Timer with ACTION PIN
- PCB contacts for 2.5 mm pins
- Flat solder tabs
- ACTION PIN F-Post
- EON contacts
- Other contacts on request

Application Tooling and Equipment (continued)

Automatic Machine P 300

For Contact Insertion into PC Boards

The P 300 automatic machine inserts contacts into printed circuit boards – within a 600 x 400 mm area. It is equipped with an insertion tool composed of an insertion head (upper tooling), an anvil (lower tooling) and a product feeding mechanism.

The insertion tools are product-specific and the PCB holder interface is defined according to the customer application.

A large number of options allow the adaptation of the P 300 to diversified production tasks. An insertion force monitoring to guarantee the insertion quality, transfer belts for the integration in automatic PCB transfer systems and a lot more is available.

The control and monitoring of the insertion process is carried out by a multi-tasking control unit. There are three possibilities for programming the machine: off-line on a connected PC (which is not part of the system as delivered), by entering coordinates on the control panel of the machine or by converting CAD data (optional software).

Optional accessories allow the P 300 to be adapted to the most varied manufacturing tasks.

Product Features

- Quick change mounting fixture for up to three insertion heads
- Precise positioning to ± 0.02 mm
- Optical sensors for automatic position correction
- PCB thickness measurement and adjustment of insertion depth for consistent quality
- PCB turning unit for insertion of the solder and component side
- Monitoring of the insertion forces for every cycle

Options

- Software for CAD-data conversion
- Insertion heads with manual height adjustment
- Components for incorporation into automatic PCB transfer system
- PCB handling system and transfer belt for semi automatic loading/unloading
- Any further options are available on request

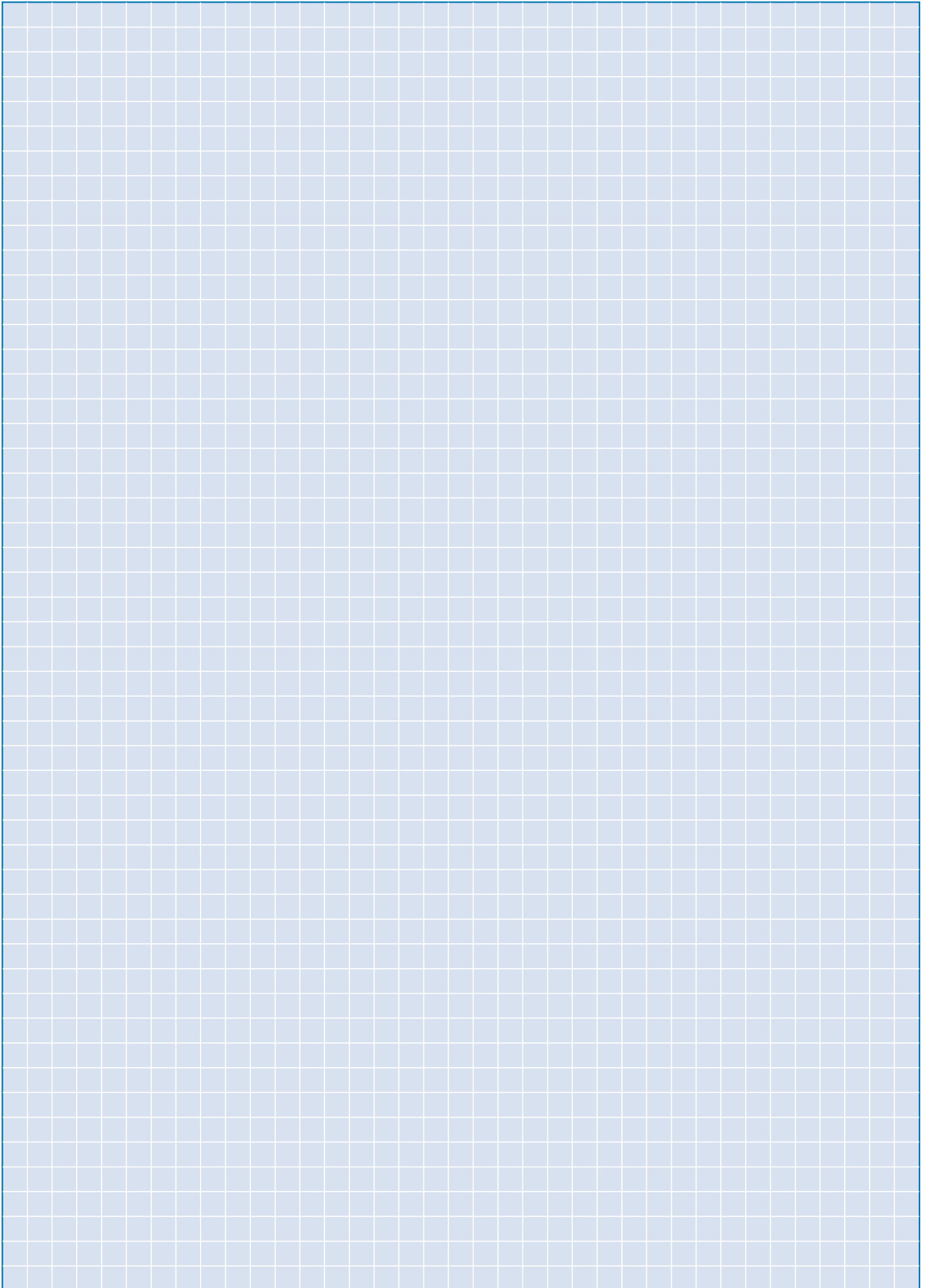
Bestell-Nummer Part Number	Seite Page	Bestell-Nummer Part Number	Seite Page	Bestell-Nummer Part Number	Seite Page	Bestell-Nummer Part Number	Seite Page
90277-1	9	282768-2	63	539736-2	20, 91	826703-1	39, 48
100132-1	20, 30	318161-1	95	539737-2	11, 13, 91	826703-2	48
100198-1	81	318510-1	95	539739-2	2, 91	826779-1	44, 45
106170-1	81	356302-1	95	539742-2	9, 11, 18,	827019-1	41, 42, 51
106455-3	73, 74, 76	356303-1	95		91	827050-1	41, 42, 51,
106455-4	76	365057-1	77	539743-2	17		65
106456-1	75, 76	365057-2	77	539744-1	91	827137-1	45, 54
106462-1	57, 59	365057-3	77	539744-2	9, 11, 17,	827216-1	33
142719-2	47, 56	365057-4	77		18, 91	827229-1	39, 48
142723-2	47, 56	365058-1	77	539750-2	91	827229-2	48
189766-1	95	365058-2	77	539756-2	20, 91	827229-4	48
189767-1	95	365058-3	77	539757-2	23, 91	827249-1	42, 51, 52
189928-1	95	365058-4	77	539758-2	91	827249-2	42
215754-1	81	365059-1	77	539759-2	23, 91	827254-1	53, 66
217201-1	95	365059-2	77	541566-2	21	827257-1	44, 53
281810-1	51, 52, 65	365059-3	77	541567-2	21	827257-2	44
281810-2	65	365059-4	77	541568-2	21	827257-3	44
281812-1	65	365060-1	77	654047-1	9	827257-5	44
282189-1	57, 59	365060-2	77	654131-1	9, 18	827257-7	44
282189-2	59	365060-3	77	679304-1	95	827257-8	44
282189-3	59	365060-4	77	679992-1	95	1-827257-0	44
282189-4	59	365061-1	78	725864-0	80	1-827257-2	44
282189-5	59	365061-2	78	725864-1	9, 17, 18,	1-827257-3	44
282189-6	59	365061-3	78		25	1-827257-7	44
282189-7	59	365061-4	78	726510-1	2	1-827257-8	44
282189-8	59	365062-1	78, 79	726534-1	3	827405-1	36
282190-1	57, 58	365062-2	78, 79	726548-1	22	827439-1	54
282190-2	58	365062-3	78, 79	726551-1	26, 27	827467-0	39
282191-1	60	365062-4	78, 79	726552-1	28	827467-1	48
282191-2	60	365063-1	78	734262-0	71	827468-1	51
282192-1	61	365063-2	78	734417-1	15	827534-1	40, 52
282192-2	61	365063-3	78	734417-2	15	827535-1	40, 52
282193-1	62	365063-4	78	734417-3	15	827535-3	52
282193-2	62	365064-1	78	734438-1	15	827539-1	39, 49
282194-1	63	365064-2	78	734440-1	15	827551-1	35
282194-2	63	365064-3	78	734531-1	27, 28	827551-2	35
282195-1	53	365064-4	78	734532-1	27, 28	827551-3	35
282195-2	66	365065-1	79	734533-1	27, 28	827551-4	35
282197-1	53	365065-2	79	734538-1	15	827551-5	35
282197-2	66	365065-3	79	734681-1	25	827551-6	35
282236-1	62	365065-4	79	734682-1	25	827551-8	35
282246-1	61	539623-1	23	734683-1	25	827572-1	36
282729-1	60	539635-1	2, 4, 5,	825213-1	42, 43, 44,	1-827578-1	35
282729-2	60		6, 7, 9,		45, 53, 66	1-827578-2	35
282762-1	57, 58		11, 13, 16,	825414-1	33, 34, 57	827579-1	36
282762-2	58		18, 23, 91	825414-3	34	827580-1	36
282762-3	58	539635-2	11	825414-5	34	827584-1	39, 49
282762-4	58	539650-2	13, 16, 91	825414-6	34	827584-2	39
282762-5	58	539651-2	4, 91	826000-1	42, 53	827603-1	39, 48
282762-6	58	539663-2	4, 5, 6,	826008-1	33, 57	827656-1	33
282762-7	58		7, 91	826008-5	33	827663-1	43, 53
282762-8	58	539664-2	13, 16, 91	826140-1	40, 49	827667-1	45, 54
282764-1	61	539665-2	21, 24, 91	826140-2	50	827667-2	45
282764-2	61	539666-2	21, 24, 91	826140-5	50	827808-1	91
282766-1	62	539674-2	11, 91	826141-1	40, 50	828632-1	45, 53
282766-2	62	539687-2	9, 18, 91	826141-2	50	828657-1	57
282767-1	62	539733-2	20, 91	826141-3	50	828661-1	52
282768-1	63	539734-2	91	826195-1	40, 50	828662-1	39, 49

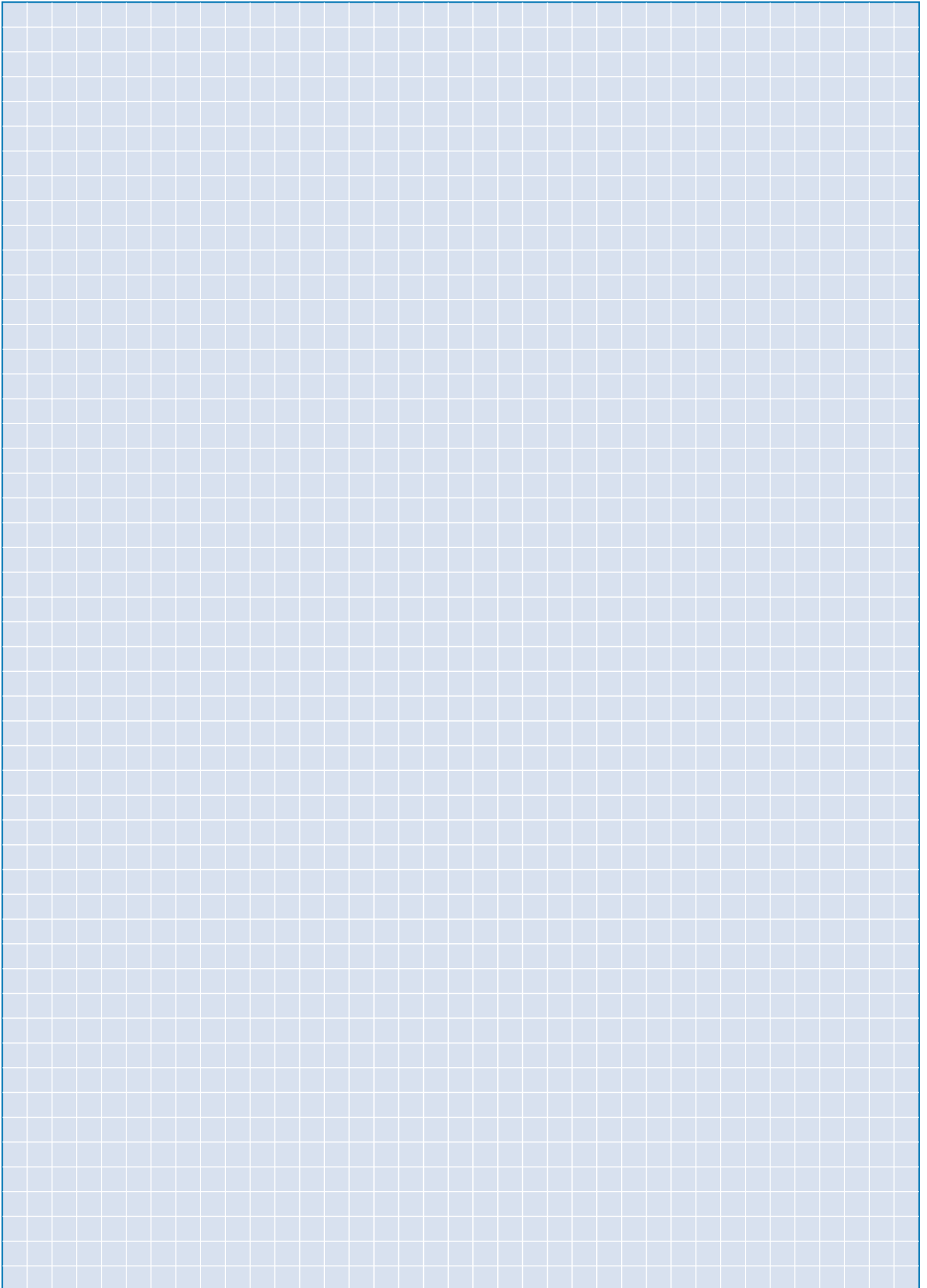
Bestell-Nummer Part Number	Seite Page	Bestell-Nummer Part Number	Seite Page	Bestell-Nummer Part Number	Seite Page	Bestell-Nummer Part Number	Seite Page
828739-1	36, 37	878336-0	11, 13	925598-2	18	2-927776-1	11
828739-2	36, 37	878337-0	19, 20	925612-1	18	927777-1	11, 91
828739-3	36, 37	878338-0	19, 20	925612-2	18	927777-3	11
828748-1	35	878356-0	19, 20	925613-1	18, 91	927777-5	11
828748-3	35	878367-0	19, 20	925613-2	18	927777-6	11
828756-1	35	878376-1	2	925622-2	91	927778-1	11
828761-1	46, 47, 56	878425-0	19	925623-2	91	927779-1	11, 91
828763-1	47, 56	878426-2	19	925871-1	9, 91	927779-3	11
828771-1	46, 55	878427-0	19, 20	925871-2	9	927779-6	11
828772-1	46	878441-0	19, 20	926007-1	91	2-927779-1	11
828772-2	55	878467-1	2	926008-1	91	927780-1	11, 91
828773-1	46, 55	878467-3	2	926171-0	48	927781-1	11, 91
828773-2	55	878468-1	2	926171-1	39, 48	927781-3	11
828801-1	70	878468-3	2	926171-2	39	927783-1	11, 91
828801-2	70	878469-1	2	926755-1	9	927783-3	11
828801-3	70	878469-3	2	926756-1	9	927824-1	19, 20
828801-4	70	878607-0	4, 6	926965-1	18	927824-2	20
828801-5	70	878608-0	4, 6	926973-1	18	927825-1	20, 91
828801-6	70	878609-2	14, 22	926984-1	18	927825-2	20
828801-7	70	878610-2	14, 22	926984-2	18	927826-1	19
828808-1	46, 54	878612-2	22	926985-1	18, 91	927827-1	19, 20
828880-1	44	878616-1	4, 6	926985-2	18	927827-2	20
828904-1	11, 13, 15, 29, 57, 64, 67, 69	878704-0	13, 16	927060-1	44	927828-1	20, 91
828904-2	29	878712-2	21	927118-1	44	927828-2	20
828905-1	11, 13, 15, 29, 57, 64, 67, 69	878713-2	21	927120-1	44	927829-1	19, 20
828918-1	63	878937-0	13, 16	927229-1	44	927829-2	20
828918-2	63	878947-0	5, 7	927391-1	44	927829-5	20
828918-3	63	878948-0	5, 7	927538-1	44	927830-1	20, 91
828918-4	63	878949-0	5, 7	927558-1	43	927830-2	20
828918-5	63	878950-2	16	927766-1	11	927830-5	20
828919-1	63	878952-2	13, 16	927766-3	11	927831-1	19, 20
828919-2	63	878953-2	13, 16	927768-0	72	927831-2	20
828919-3	63	878954-0	13	927768-1	11	927831-4	20
828919-4	63	878955-2	24	927768-3	11	927832-1	20, 91
828919-5	63	878956-2	24	927768-5	11	927832-2	20
828922-1	11, 13, 29	878958-1	24	927768-6	11	927832-4	20
828989-1	46, 54	878959-1	24	927770-1	11	927833-1	19, 20
872007-2	9, 18	878960-1	24	927770-3	11	927833-2	20
872092-0	9, 18	878967-2	24	927770-6	11	927834-1	20, 91
872093-0	9, 18	880810-1	36, 37	1-927770-1	11	927834-2	20
872144-0	9, 18	880811-2	36, 37	2-927770-1	11	927835-1	19, 20, 69
878035-1	18	880814-1	37	927771-1	11, 72	927835-2	20
878047-2	9, 18	925311-1	43, 47	927771-3	11	927836-1	19, 20
878070-2	9	925470-1	40, 50, 51	927771-6	11	927836-2	20
878180-1	11	925470-2	40	2-927771-1	11	927837-1	19, 20
878181-1	11	925471-1	40, 50	927772-3	11	927837-2	20
878191-1	11	925471-2	40	1-927772-1	11	927837-4	20
878328-0	19, 20	925575-1	18	927773-1	11	927837-5	20
878329-0	19, 20	925575-2	18	927773-3	11	927838-1	20, 91
878329-1	19	925590-1	9	927774-1	11, 72	927838-2	20
878331-0	11	925590-2	9	927774-3	11	927838-4	20
878332-0	11	925595-1	9	927774-6	11	927838-5	20
878334-0	11, 13	925595-2	9	2-927774-1	11	927839-1	19
878335-0	11, 13	925596-1	9, 91	927775-1	11	927840-1	19, 20
		925596-2	9	927775-3	11	927840-2	20
		925597-1	9, 91	927776-1	11, 91	927845-1	9
		925597-2	9	927776-3	11	927845-2	9
		925598-1	18, 91	927776-6	11	927846-1	9, 91

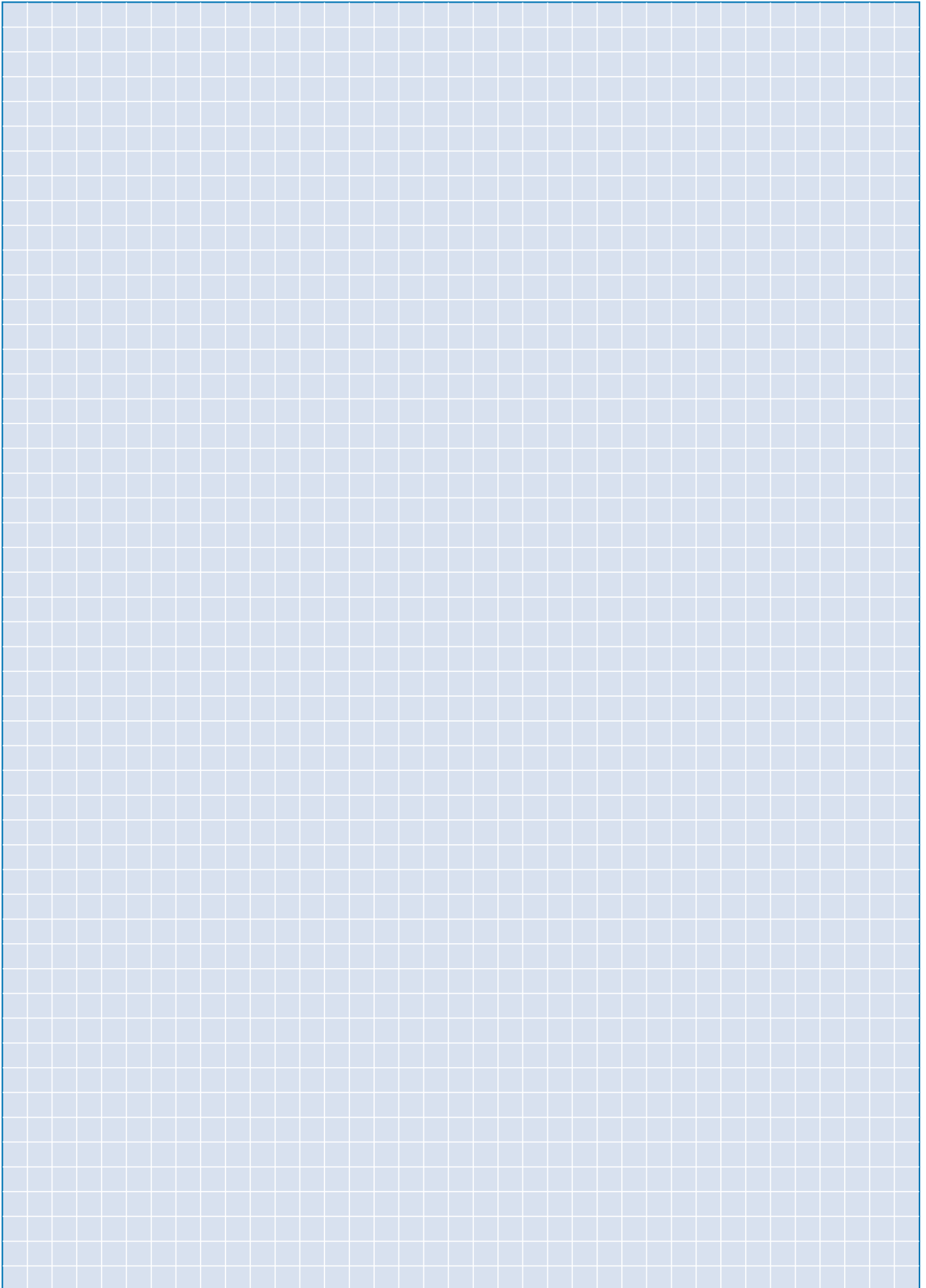
Bestell-Nummer Part Number	Seite Page	Bestell-Nummer Part Number	Seite Page	Bestell-Nummer Part Number	Seite Page	Bestell-Nummer Part Number	Seite Page
927846-2	9	928794-5	80	2-929930-1	11	962876-1	4, 69
927847-1	18	928804-1	91	929931-1	91	962876-2	4
927847-2	18	928805-1	91	929931-3	11	962876-5	4
927848-1	18, 91	928810-1	11, 91	1-929931-1	11	962880-1	14
927848-2	18	928876-1	11, 91	929937-1	13, 69	962880-2	14
927849-2	18	928923-1	80	929937-3	13	962881-1	14
927850-1	91	928923-2	80	929937-6	13	962881-2	14
927850-2	18	928923-3	80	2-929937-1	13	962882-1	14
927856-1	9	928923-4	80	929938-1	13, 91	962882-2	14
927856-2	9	928924-1	80	929938-3	13	962883-1	14
927857-1	9, 91	928924-2	80	929938-6	13	962883-2	14
927857-2	9	928924-3	80	2-929938-1	13	962884-1	14
927863-1	9	928924-4	80	929939-1	13, 69	962884-2	14
927863-2	9	928924-5	80	929939-3	13	962903-1	22
927863-4	9	928930-1	80	929939-6	13	962903-2	22
927864-1	9	928930-2	80	1-929939-1	13	962904-1	22
927864-2	9	928930-3	80	2-929939-1	13	962904-2	22
927865-1	18	928930-4	80	929940-1	13, 91	962905-2	22
927865-2	18	928930-5	80	929940-3	13	962906-2	22
927866-1	18	928931-1	71, 80	929940-6	13	962907-2	22
927866-2	18	928931-2	71, 80	1-929940-1	13	962908-1	22
927871-1	9	928931-3	80	2-929940-1	13	962908-2	22
927871-2	9	928931-4	80	929941-1	13	962910-1	22
927872-1	9	928931-5	80	929941-3	13	962910-2	22
927872-2	9, 91	928938-1	2	929942-1	13, 91	1-962915-1	15
927877-1	9	928966-1	19, 20, 69	929942-3	13	1-962915-2	15
927878-1	9	928966-2	20	929948-2	64	1-962915-3	15
927879-2	18	928989-1	91	929949-2	64	2-962915-1	15
927880-1	91	928990-1	20	929950-1	2	1-962916-1	15
927880-2	18	928990-2	20	929950-3	2	1-962916-2	15
927892-1	80	929504-1	70	929951-1	2, 91	1-962917-1	23
927892-2	80	929504-2	70	929951-3	2	962928-1	27
927892-3	80	929504-3	70	929952-1	2	962929-1	27
927892-4	80	929504-4	70	929952-3	2	962930-1	27
927893-1	80	929504-5	70	929953-1	2, 91	962931-1	27
927893-2	80	929504-6	70	929953-3	2	962932-1	27
927893-3	80	929504-7	70	929954-1	2	962933-1	27
927893-4	80	929505-1	70	929954-3	2	962934-1	27
927893-5	80	929505-2	70	929955-1	2, 91	962935-1	27
927936-1	18, 91	929505-3	70	929955-3	2	962936-1	27
927937-1	18, 91	929505-4	70	962071-1	67	962937-1	27
927966-1	9	929505-5	70	962073-1	44	962938-1	27
927973-1	91	929505-6	70	962076-1	44	962939-1	27
927973-3	9	929505-7	70	962189-1	73	962942-1	4
927973-4	9	929644-1	44	962190-1	75	962942-2	4
928556-1	43	929922-1	20, 91	962191-1	74	962943-1	4
928557-1	43	929922-2	20	1-962375-1	69	962943-2	4
928611-1	44	929923-1	20, 91	1-962841-1	15	962944-1	4, 91
928612-1	44	929923-2	20	1-962841-2	15	962944-2	4
928781-1	80	929924-1	20, 91	1-962841-3	15	962945-1	4, 91
928781-2	80	929924-2	20	2-962841-1	15	962945-2	4
928781-3	80	929927-1	2, 91	2-962841-2	15	962975-1	69
928781-4	80	929929-1	11, 91	1-962842-1	15	963013-1	36
928781-5	80	929929-3	11	1-962843-1	15	963035-1	64
928794-1	71, 80	929930-1	11, 91	1-962845-1	23	963035-3	64
928794-2	71, 80	929930-3	11	2-962846-1	23	963036-1	64
928794-3	80	929930-6	11	962875-1	4	963039-1	64
928794-4	80	1-929930-1	11	962875-2	4	963039-2	64

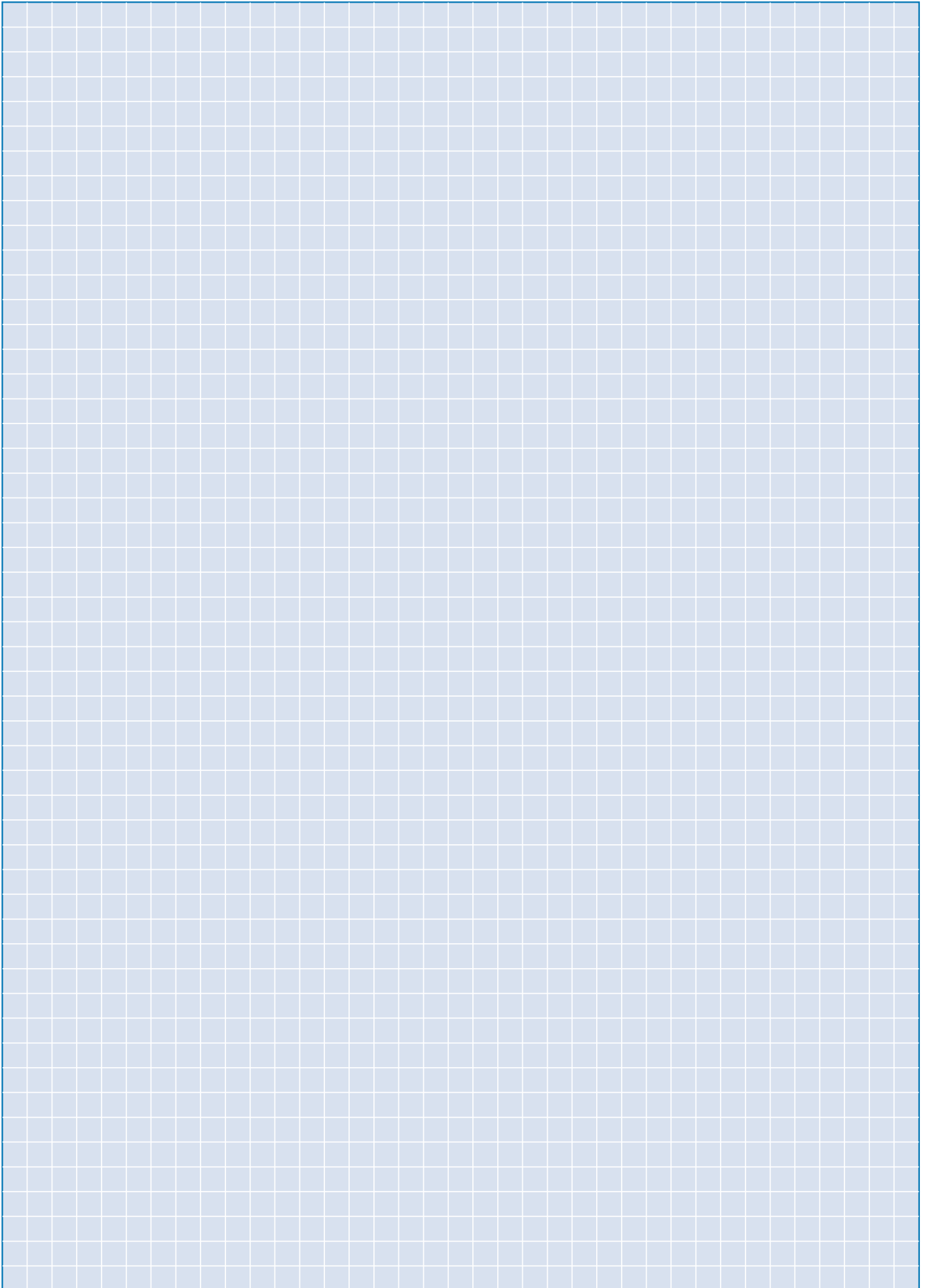
Bestell-Nummer Part Number	Seite Page	Bestell-Nummer Part Number	Seite Page	Bestell-Nummer Part Number	Seite Page	Bestell-Nummer Part Number	Seite Page
963040-1	57, 59	963710-2	4	963772-2	28	963952-1	25
963040-2	59	963711-1	4, 91	963773-1	28	963952-2	25
963040-3	59	963711-2	4	963773-2	28	963953-1	25
963040-4	59	963711-5	4	963774-1	28	963954-1	25
963041-1	56, 67	963712-1	91	963774-2	28	963955-1	25
963042-1	67	963713-1	91	963775-1	28	963956-1	25
963042-2	56	963714-1	20	963775-2	28	963961-1	80
963059-1	44	963714-2	20	963811-1	14	963961-2	80
963062-1	44	1-963734-1	23	963811-2	14	963961-3	80
963063-1	47, 55, 56	1-963734-2	23	963812-1	14	963961-4	80
963063-2	56	2-963734-1	23	963812-2	14	963961-5	80
963120-1	73	1-963735-1	23	963813-1	14	963962-1	80
963121-1	74	1-963735-2	23	963813-2	14	963962-2	80
963122-1	75	2-963735-1	23	963814-1	14	963962-3	80
963203-1	69	1-963736-1	23	963814-2	14	963962-4	80
963205-1	69	2-963736-1	23	963815-1	14	963962-5	80
963208-1	69	1-963737-1	23	963815-2	14	964131-1	17
963209-1	69	1-963737-2	23	963816-1	22	964131-2	17
1-963211-1	69	2-963737-1	23	963816-2	22	964131-3	17
963213-1	69	1-963738-1	23	963817-1	22	964131-4	17
1-963215-1	69	1-963738-2	23	963817-2	22	964132-1	17
963216-1	69	2-963738-1	23	963818-2	22	964132-2	17
963222-1	69	1-963739-1	23	963819-2	22	964132-3	17
963225-1	69	2-963739-1	23	963820-2	22	964132-4	17
963243-1	20, 21, 30	1-963740-1	23	963821-1	22	964133-1	17
963244-1	20, 21, 30, 69	2-963741-1	23	963821-2	22	964133-2	17
963245-1	20, 21, 30, 69	1-963742-1	23	963823-1	22	964133-3	17
963292-1	13, 29	1-963743-1	23	963823-2	22	964133-4	17
963293-1	13, 29	1-963744-1	23	963824-1	22	964140-1	17
963294-1	13, 29	1-963745-1	15	963824-2	22	964140-2	17
963317-1	42, 51, 52	1-963745-2	15	963825-1	22	964140-3	17
963318-1	42, 53	1-963745-3	15	963825-2	22	964140-4	17
963325-1	41, 51, 52	2-963745-1	15	1-963860-1	15	964141-1	17
963357-1	70	2-963745-2	15	1-963860-3	15	964141-2	17
963357-2	70	1-963746-1	15	2-963860-1	15	964141-3	17
963357-3	70	1-963747-1	15	1-963861-1	15	964141-4	17
963357-4	70	1-963748-1	15	1-963861-3	15	964142-1	17
963357-5	70	1-963748-2	15	1-963861-3	15	964142-2	17
963357-6	70	1-963748-3	15	2-963861-1	15	964142-3	17
963361-1	69	2-963748-1	15	963884-1	11	964142-4	17
1-963449-2	69	1-963749-1	15	963885-1	11, 91	964142-4	17
1-963484-1	69	1-963749-2	15	963898-1	6	964261-2	5
963530-1	29, 69	963764-1	28	963898-2	6	964261-3	5
963531-1	29	963764-2	28	963899-1	6, 91	964262-2	5, 91
963534-1	47, 56	963765-1	28	963899-2	6	964262-3	5
1-963534-1	47	963765-2	28	963900-1	6	964263-2	5
963574-1	55	963766-1	28	963900-2	6	964263-3	5
963578-1	55	963766-2	28	963901-1	6	964264-2	5, 91
963578-2	55	963767-1	28	963901-2	6, 91	964264-3	5
963598-1	68	963767-2	28	963902-1	6	964265-2	7
963599-1	68	963768-1	28	963902-2	6	964265-3	7
963684-1	47	963768-2	28	963903-1	6, 91	964266-1	91
1-963684-1	47	963769-1	28	963903-2	6	964266-2	7
963709-1	20	963769-2	28	963904-1	6	964266-3	7
963709-2	20	963770-1	28	963904-2	6	964267-2	7
963710-1	4, 91	963770-2	28	963905-1	6, 91	964267-3	7
		963771-1	28	963905-2	6	964268-1	91
		963772-1	28	963951-1	25	964268-2	7
				963951-2	25	964268-3	7

Bestell-Nummer Part Number	Seite Page	Bestell-Nummer Part Number	Seite Page	Bestell-Nummer Part Number	Seite Page	Bestell-Nummer Part Number	Seite Page
964269-2	7	964303-1	24, 91	1-967242-1	69		
964269-3	7	964304-1	24	967260-1	91		
964270-1	91	964305-1	24, 91	1-967280-1	69		
964270-2	7	964306-1	24	1-967281-1	69		
964270-3	7	964307-1	24, 91	1-967601-1	69		
964273-2	13	964308-1	24	1-967621-1	72		
2-964273-1	13	964309-1	24, 91	1-967622-1	72		
964274-2	5	964310-1	24	1-967623-1	72		
964274-3	5	964311-1	24, 91	1-967624-1	72		
964275-2	5, 91	964312-1	24	1-967625-1	72		
964275-3	5	964313-1	24, 91	1-967626-1	72		
964279-1	91	964314-1	24	1-967627-1	72		
964279-2	13	964321-1	21, 91	1-967628-1	72		
964279-4	13	964322-1	21	1-967629-1	72		
964280-2	13	964323-1	21, 91	1-967630-1	72		
2-964280-1	13	964324-1	21	967631-1	72		
964281-1	91	964325-1	21, 91	967632-1	72		
964281-2	13	964326-1	21	967633-1	72		
964281-4	13	964327-1	21, 91	967634-1	72		
964282-2	13	964328-1	21	967635-1	72		
2-964282-1	13	964346-1	91	968107-1	10, 12, 14, 15, 16, 19, 20, 23, 24		
964283-1	91	964346-2	13				
964283-2	13	964346-4	13				
964283-4	13	964349-2	91	968271-1	72		
964284-2	13	964408-1	73	1-968879-1	69		
2-964284-1	13	964409-1	74	969005-2	5		
964285-1	91	964410-1	75	969005-3	5		
964285-2	13	1-964449-1	69	969007-1	24		
964285-4	13	964731-1	68	969008-1	24, 91		
964286-2	13	964731-2	68	969019-2	5, 91		
2-964286-1	13	964732-1	68	969019-3	5		
964287-1	91	964739-1	69	969023-1	91		
964287-2	13	964741-1	69	969028-2	7		
964287-4	13	964971-1	29, 69	969028-3	7		
1-964291-3	16	964972-1	29	969029-2	7, 91		
2-964291-1	16	965052-1	68	969029-3	7		
1-964292-3	16	965053-1	68	969040-1	21		
2-964292-1	16	1-965261-1	69	969041-1	21, 91		
1-964293-3	16	1-965421-1	69	969042-1	21		
2-964293-1	16	2-965421-1	69	969043-1	21, 91		
1-964294-3	16	1-965423-1	69	969044-1	21		
2-964294-1	16	1-965426-1	69	969045-1	21, 91		
1-964295-3	16	1-965640-1	72	1241731-2	91		
2-964295-1	16	1-965641-1	72	1241823-1	91		
1-964296-3	16	965915-1	91	1241824-1	91		
2-964296-1	16	965999-2	13	1241826-1	91		
1-964297-3	16	2-965999-1	13	1355307-1	30		
2-964297-1	16	966140-1	72	1394133-1	29		
1-964298-3	16	966140-2	72				
2-964298-1	16	966140-3	72				
1-964299-3	16	966140-4	72				
2-964299-1	16	966140-5	72				
1-964300-3	16	966140-6	72				
2-964300-1	16	1-967059-1	69				
1-964301-3	16	1-967239-1	69				
2-964301-1	16	2-967239-1	69				
1-964302-3	16	1-967240-1	69				
2-964302-1	16	1-967241-1	69				









Americas

Argentina – Buenos Aires
Phone: +54-1-733-2000
Fax: +54-1-717-0988

Brasil – São Paulo
Phone: +55-11-3611-1311
Fax: +55-11-3611-0397

Canada – Toronto
Phone: +905-475-6222
Fax: +905-474-5520

Chile – Santiago
Phone: +56-2-739-1230
Fax: +56-2-739-1227

Colombia – Bogota
Phone: +57-1-231-9398
Fax: +57-1-240-3769

Mexico – Mexico City
Phone: +52-5-729-0400
Fax: +52-5-361-8545

United States – Harrisburg, PA
Phone: +717-564-0100
Fax: +717-986-7575

Venezuela – Caracas
Phone: +58-2-986-7774
Fax: +58-2-986-9739

For Latin/South American Countries not shown
Phone: +54-11-4733-2015
Fax: +54-11-4733-2083

Asia/Pacific

Australia – Sydney
Phone: +61-2-9840-8200
Fax: +61-2-9899-5649

India – Bangalore
Phone: +91-80-841-0200
Fax: +91-80-841-0210

Indonesia – Jakarta
Phone: +6221-526-7852
Fax: +6221-526-7856

Japan – Kawasaki, Kanagawa
Phone: +81-44-844-8079
Fax: +81-44-844-8733

Korea – Seoul
Phone: +82-2-3274-0535
Fax: +82-2-3274-0524/0531

Malaysia – Selangor
Phone: +60-3-7053055
Fax: +60-3-7053066

New Zealand – Auckland
Phone: +64-9-634-4580
Fax: +64-9-634-4586

Philippines – Makati City
Phone: +632-867-8641
Fax: +632-867-8661

People's Republic of China
Hong Kong
Phone: +852-2735-1628
Fax: +852-2735-0243

Shanghai
Phone: +86-21-6485-0602
Fax: +86-21-6485-0728

Shunde
Phone: +86-765-775-1368
Fax: +86-765-775-2823

Singapore – Singapore
Phone: +65-482-0311
Fax: +65-482-1012

Taiwan – Taipei
Phone: +886-2-2664-9977
Fax: +886-2-2664-9900

Thailand – Bangkok
Phone: +66-2-955-0500
Fax: +66-2-955-0505

Vietnam – Ho Chi Minh City
Phone: +84-8-8232-546/7
Fax: +84-8-8221-443

Europe/Middle East/Africa

Austria – Vienna
Phone: +43-190-560-0
Fax: +43-190-560-1333

Belgium – Kessel-Lo
Phone: +32-16-352-300
Fax: +32-16-352-352

Bulgaria – Sofia
Phone: +359-2-971-2152
Fax: +359-2-971-2153

Czech Republic – Kurim
Phone: +420-5-41-162-111
Fax: +420-5-41-162-223

Denmark – Viby J
Phone: +45-70-15-52-00
Fax: +45-86-29-51-33

Egypt – Cairo
Phone: +20-2-417-76-47
Fax: +20-2-419-23-34

Estonia – Tallinn
Phone: +372-65-05-474
Fax: +372-65-05-470

Finland – Helsinki
Phone: +358-95-12-34-20
Fax: +358-95-12-34-250

France –
Cergy-Pontoise Cedex
Phone: +33-1-3420-8888
Fax: +33-1-3420-8600
Product Information Center:
Phone: +33-1-3420-8943
Fax: +33-1-3420-8623

France
Tyco Electronics Export –
St Ouen L'Aumone
Phone: +33-1-3440-7200
Fax: +33-1-3440-7220 or
+33-1-3440-7230

Germany – Bensheim
Phone: +49-6251-133-0
Fax: +49-6251-133-1600
Product Information Center:
Phone: +49-6251-133-1999
Fax: +49-6251-133-1988

Germany – Langen
Phone: +49-6103-709-0
Fax: +49-6103-709-1223

Germany – Speyer
Phone: +49-6232-30-0
Fax: +49-6232-30-2243

Germany
HTS Division – Neunkirchen
Phone: +49-2247-305-0
Fax: +49-2247-305-122

Great Britain –
Stanmore Middlesex
Phone: +44-181-954-2356
Fax: +44-181-954-6234
Product Information Center:
Freephone GB: 0800-267-666
Phone: +44-141 810 8967...69
Fax: +44-141 810 8971

Greece – Athens
Phone: +30-1-9370-396/397
Fax: +30-1-9370-655

Hungary – Budapest
Phone: +36-1-289-1000
Fax: +36-1-289-1010

Ireland – Dublin
Phone: +353-1-820-3000
Fax: +353-1-820-9790

Israel – Yokneam
Phone: +972-4-959-0508
Fax: +972-4-959-0506

Italy – Collegno (Torino)
Phone: +39-011-4012-111
Fax: +39-011-4031-116

Lithuania – Vilnius
Phone: +370-2-2314-02
Fax: +370-2-2314-03

Netherlands – 's-Hertogenbosch
Phone: +31-73-6246-246
Fax: +31-73-6212-365
Product Information Center:
Phone: +31-73-6246-999
Fax: +31-73-6246-998

Norway – Nesbru
Phone: +47-66-77-88-99
Fax: +47-66-77-88-55

Poland – Warsaw
Phone: +48-22-5490-888
Fax: +48-22-5490-880

Romania – Bucharest
Phone: +40-1-311-3479 + 3596
Fax: +40-1-312-0574

Russia – Moscow
Phone: +7-095-926-55-06...09
Fax: +7-095-926-55-05

Russia – St. Petersburg
Phone: +7-812-325-30-83
Fax: +7-812-325-32-88

Slovakia – Banská Bystrica
Phone: +421-48-415-20-11/12
Fax: +421-48-415-20-13

Slovenia – Ljubljana
Phone: +386-1561-3270
Fax: +386-1561-3240

South Africa – Port Elizabeth
Phone: +27-41-405-4500
Fax: +27-41-486-1314

Spain – Barcelona
Phone: +34-93-291-0330
Fax: +34-93-201-7879
Product Information Center:
Phone: +34-93-291-0330
Fax: +34-93-200-3779

Sweden – Upplands Väsby
Phone: +46-8-50-72-50-00
Fax: +46-8-50-72-50-01

Switzerland – Steinach
Phone: +41-71-447-0447
Fax: +41-71-447-0444

Turkey – Istanbul
Phone: +90-212-281-8181...3
+90-212-282-5130/5430
Fax: +90-212-281-8184

Ukraine – Kiev
Phone: +38-044-238-6908
Fax: +38-044-568-5740



Tyco Electronics AMP GmbH zertifiziert nach ISO 9001, QS 9000/VDA 6.1 und ISO 14001.
Tyco Electronics AMP GmbH certified according ISO 9001, QS 9000/VDA 6.1 and ISO 14001.

© 2001 Tyco Electronics AMP GmbH • AMPèrestr. 12-14, 64625 Bensheim • Tel. +49 (62 51) 133-0, Fax +49 (62 51) 133-1600

889759-12M-ST-11-01 Printed in Germany

<http://www.tycoelectronics.com>