

# » PERFECT PRO



INSTRUCTION MANUAL **GB**  
MODE D'EMPLOI **F**  
BENUTZERHANDBUCH **D**  
HANDLEIDING **NL**



## CONTENTS

|   |    |
|---|----|
| 1. CONTENTS.....                              | 1  |
| 2. IMPORTANT GENERAL SAFETY INSTRUCTIONS..... | 2  |
| 3. CONTROLS.....                              | 3  |
| 4. POWER SUPPLY.....                          | 4  |
| 5. GENERAL FUNCTIONS.....                     | 4  |
| 6. USING THE RADIO FOR THE FIRST TIME.....    | 5  |
| 7. DAB MODE.....                              | 5  |
| 8. FM MODE.....                               | 8  |
| 9. PRESET STATIONS.....                       | 9  |
| 10. AUX-IN MODE.....                          | 10 |
| 11. MANUALLY SETTING CLOCK.....               | 11 |
| 12. VOLUME & SOUND.....                       | 11 |
| 13. LOUDNESS.....                             | 12 |
| 14. SURROUND SOUND.....                       | 12 |
| 15. EQUALIZER.....                            | 12 |
| 16. ADDITIONAL METAL TELESCOPIC ANTENNA.....  | 13 |
| 17. LANGUAGE SETTING.....                     | 13 |
| 18. SOFTWARE VERSION.....                     | 14 |
| 19. SYSTEM RESET.....                         | 14 |
| 20. BACKLIGHT.....                            | 14 |
| 21. ATP PASSCODE.....                         | 15 |
| 22. WARRANTY.....                             | 15 |
| 23. INFORMATION.....                          | 16 |

**WARNING ! WARRANTY BECOMES VOID ONCE THE DEVICE CABINET HAS BEEN OPENED OR ANY MODIFICATIONS OR ALTERATIONS TO THE ORIGINAL DEVICE HAVE BEEN MADE**

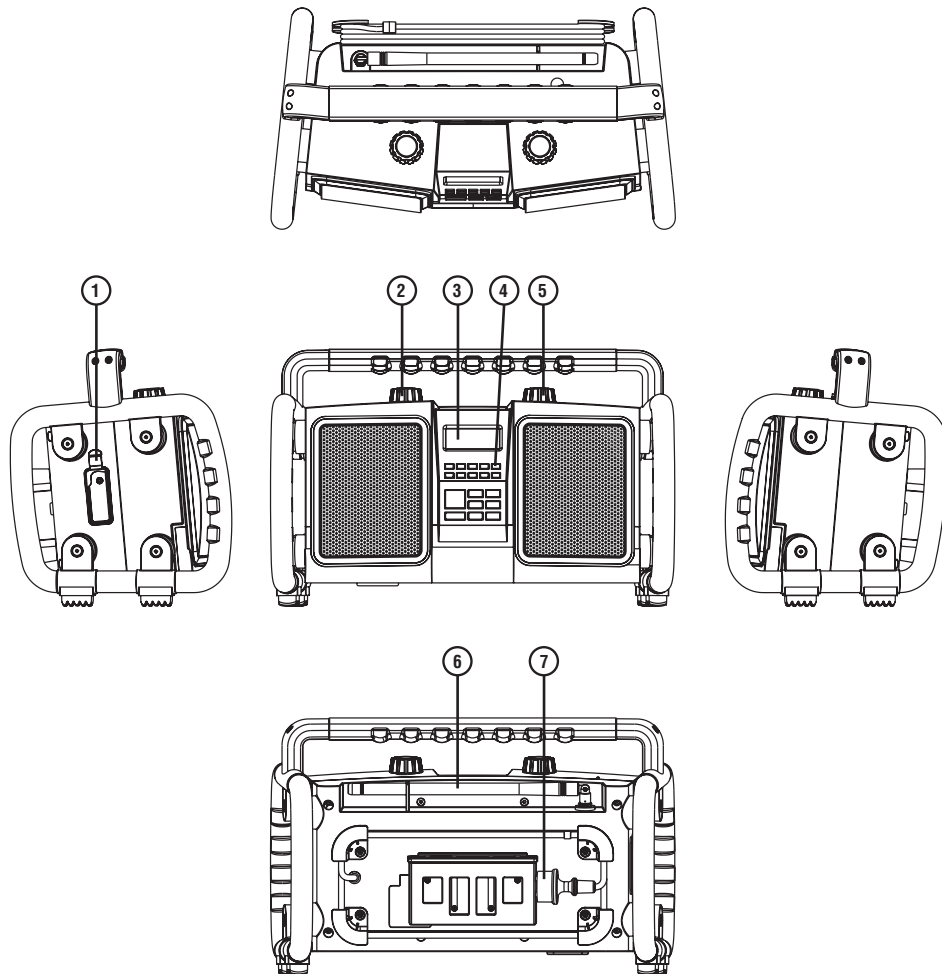
## IMPORTANT SAFETY INSTRUCTIONS

1. Read these instructions.
2. Keep these instructions.
3. Heed all warnings.
4. Follow all instructions.
5. Clean only with dry cloth.
6. Do not block any ventilation openings. Install in accordance with the instructions.
7. Do not install near any heat sources such as radiators, heat registers, stoves or other apparatus (including amplifiers) that produce heat.
8. Do not defect the safety purpose of the polarized or grounding – type plug. A polarized plug has two blades with one wider than the other. A grounding type plug has two blades and a third grounding prong. The wide blade or the third prong is provided for your safety. If the provided plug does not fit into your outlet, consult an electrician for replacement of the obsolete outlet.
9. Protect the power cord from being walked on or pinched particularly at plug, convenience receptacles, and the point where they exit from the apparatus.
10. Only use attachments/accessories specified by the manufacturer.
11. Use only with the cart, stand, tripod, bracket, or table specified by the manufacturer, or sold with the apparatus. When a cart is used, use caution when moving the cart/apparatus combination to avoid injury from tip-over.
12. Unplug this apparatus during lightning storms or when unused for long periods of time.
13. Refer all servicing to qualified service personnel. Servicing is required if the apparatus has been damaged in any, such as power-supply cord or plug is damaged, liquid has been spilled or objects have fallen into the apparatus, the apparatus has been exposed to rain or moisture, does not operate normally, or has been dropped.
14. To reduce the risk of fire or electric shock, do not expose this appliance to rain or moisture.
15. Do not remove the cover; there are no user-serviceable parts inside.
16. No naked flame sources shall be placed on the apparatus.
17. For outdoors use, to avoid electric shock, if the radio has been exposed to rain or water, the power supply cord and plug must be completely dried before plugging into the mains socket outlet.
18. The power plug should be close to the apparatus, and easy to be approached that during emergency, to disconnect the power from the apparatus, just unplug the power plug from the AC power slot.
19. The marking information is located at the bottom of the apparatus.
20. This apparatus is provided with protection against splashing water (IPX4).
21. In case of malfunction due to electrostatic discharge or fast transient (burst), remove and reconnect the power supply.



## CONTROLS

1. Aux-in
2. Volume
3. Display
4. Key pad
5. Tuning
6. Antenna
7. Power cord



## POWER SUPPLY

### AC operation

1. Before plugging the AC power cord into the AC socket, be sure the voltage is correct.
2. AC power cord and plug storage is designed to store the cord and plug when the radio is not in use

#### Note:

In order to disconnect the unit from the AC mains completely, the AC power cord should be removed from the mains socket completely and it shall remain readily operable and should not be obstructed during intended use.

In case of malfunction due to electrostatic discharge or fast transient (burst), remove the power supply from power supply and reconnect the power supply after half approximate minute.

## GENERAL FUNCTIONS

1. **Switching on and off**  
Press the **On/Off** button to turn the radio on or in standby.
2. **Switching among DAB / FM / AUX-IN modes**  
Press the **SOURCE** button to switch between modes.
3. **Tuning the Radio**  
Tune the radio using the **TUNING** knob on the right.
4. **Adjusting the Volume**  
Adjust the volume with the **VOLUME** knob on the left.
5. **Selecting the preset Equalizer**  
Press the **EQUALIZER** button repeatedly to select the desired preset EQ.
6. **Selecting Stereo or Mono mode (in FM mode only)**  
Press the **MONO/STEREO** button to switch between FM Mono and FM Stereo.
7. **Using the AUX-IN feature**  
Connect the audio output of an external audio device to the  $\varnothing 3.5\text{mm}$  AUX-IN socket and play music from the external device.
8. **Anti-Theft-Protection (ATP) System**  
Press the preset buttons (1-10) to enter the 4-digits numeric passcode.

## USING THE RADIO FOR THE FIRST TIME

1. Place the radio on a flat surface.
2. Carefully extend the antenna located on the top of the radio. Adjust the antenna so it is vertically extending above the radio.
3. Plug the AC power cord into the AC socket. The radio will start up and the display will show "Welcome To Digital Radio" for a few seconds. Then the radio will automatically perform an auto scan of the Band III DAB channels and the FM band. The display will show "Scanning" in DAB and "Auto" in FM.
4. When the scan is completed, the 10 strongest stations of DAB and FM will be stored as presets. The radio will switch to standby with the updated clock and date showing on the display.
5. If no signals are found, the clock will not be updated. It may be necessary to relocate the radio to a position with better reception.

## DAB MODE (DAB – DAB+)

### Operating the radio – DAB

1. Carefully extend the antenna. Press the **On/Off** button to switch on the radio.
2. Select DAB by pressing the **SOURCE** button.
3. The first station in the list of stations found will be played. The display will show the station name. If the radio has been used before, the last used station will be selected.
4. If no DAB signals are detected, "No stations available" will be displayed. It may be necessary to relocate the radio to a position with better reception. You should then carry out an auto scan to find stations, please refer to the section "**Find new stations - DAB**".

### Selecting a station – DAB

1. Press the **On/Off** button to switch on the radio. The display will show "Connecting" and "Playing" for a few seconds.
2. The display shows the name of the radio station currently selected.
3. Rotate the **TUNING** knob to scroll through the list of available stations.
4. When the desired station name appears on the display, press the **TUNING** knob to select the station.

Note: If after selecting a station the display shows "No stations available", it may be necessary to relocate the radio to a position with better reception.

## Display modes – DAB

In DAB mode, the radio can display a range of information on the display. Press the **INFO** button to cycle through the various modes.

- |                            |   |
|----------------------------|---|
| a. Scrolling text          | Displays scrolling text message e.g. station information, artist/track name, phone-in number, etc.  |
| b. Signal strength         | Displays the signal strength of radio reception. The clear unfilled rectangle indicates minimum signal level required for satisfactory reception. |
| c. Program type            | Displays the type of station being listened to e.g. Pop, Classic, News, etc.  |
| d. Multiplex name          | Displays the name of multiplex to which the current station belongs.  |
| e. Channel & frequency     | Displays the channel number and frequency for the currently tuned DAB station.  |
| f. Bit rate & audio format | Displays the digital audio bit rate and audio format.   |
| g. Time & date             | Displays the current time and date.   |

## Finding new stations – DAB

From time to time, new stations may become available. You may proceed to find new stations as follows:

1. In DAB mode, press the **MENU** button, "Full Scan" shows on the display.
2. Press the **TUNING** knob, the radio will perform a scan of the Band III DAB channels. As new stations are found, the station counter on the right-hand side of the display will increase and new radio stations found will be added to the list stored in the radio.

## Manual Tuning – DAB

Manual tuning is an alternative method of finding new stations. Instead of scanning the entire Band III channels automatically, you may tune the radio directly to a known DAB channel and store all the multiplex in that channel into the available station list.

1. In DAB mode, press the **MENU** button and rotate the **TUNING** knob until the LCD display shows "Manual tune", then press the **TUNING** knob. The display will show DAB channel and Frequency.
2. Rotate the **TUNING** knob to select the desired Channel or Frequency and then press the **TUNING** knob to tune to the chosen frequency.
3. When DAB stations in the tuned channel are found, the display will show the name of the station. Any new radio stations found will be added to the list stored in the radio.
4. The signal strength display shows the reception of the station. The clear unfilled rectangle indicates minimum signal level required for satisfactory reception. The signal strength bars will go up or down showing the changing signal strength as you adjust the antenna or the radio position.

5. Repeat step 1 to 4 for other channels with new stations.
6. Press the **MENU** button twice to exit manual tuning and return to normal DAB operation.

### Dynamic Range Control (DRC) settings – DAB

DRC can make quieter sounds easier to hear when your radio is used in a noisy environment.

1. In DAB mode, press the **MENU** button and rotate the **TUNING** knob until the display shows “DRC Value”, then press the **TUNING** knob.
2. Rotate the **TUNING** knob to select required DRC setting (default is OFF).
 

|          |   |
|----------|---|
| DRC off  | DRC is switched off, broadcast DRC will be ignored. |
| DRC high | DRC is set as sent by broadcaster.                  |
| DRC low  | DRC level is set to 1/2 that sent by broadcaster.   |
3. Press the **TUNING** knob to confirm the setting. The display will return to normal radio display.

**Note:** Not all DAB broadcasts are able to use the DRC function. If the broadcast does not support DRC, then the DRC setting in the radio will have no effect.

### Prune stations – DAB

If you move to a different part of the country, some of the stations that were listed may no longer be available. Also, from time to time, some DAB services may stop broadcasting, or may change location or frequency. The Prune stations function will delete the unavailable DAB stations from your station list.

1. In DAB mode, press the **MENU** button.
2. Rotate the **TUNING** knob until the display shows “Prune”.
3. Press the **TUNING** knob to enter the setting.
4. Rotate the **TUNING** knob to select between “Yes” or “No” (default is No). Select “Yes” to enable this function if required, otherwise, select “No”.
5. Press the **TUNING** knob to confirm your setting. The display will return to last menu and press **MENU** to go to the normal radio display.

**Note:** If you have moved the radio to a different part of the country, you should also carry out a search for new stations (please see the section “**Finding new stations – DAB**”).

## FM MODE

### Operating the radio – FM seek station

1. Press the **On/Off** button to switch on the radio.
2. Select the **FM RADIO** waveband by pressing the **SOURCE** button.
3. If this is the first time to switch to FM mode, the station in preset 1 will be played. If the radio has been used before, the last listened station will be played.
4. To seek station, press the **TUNING** knob. The scan stops automatically when it finds a station of sufficient strength.
5. After a few seconds, the display will update and show station name if RDS information is being received.
6. To find other stations, press the **TUNING** knob again.
7. To seek station in an opposite direction, rotate the **TUNING** knob clockwise (to scan from low frequency to high frequency) or rotate the **TUNING** knob anti-clockwise (to scan from high frequency to low frequency), and press the **TUNING** knob.
8. When the waveband end is reached, the radio will recommence tuning from the opposite waveband end.

### Manual tuning – FM

1. Press the **On/Off** button to switch on the radio.
2. Select the FM band by pressing the **SOURCE** button.
3. Rotate the **TUNING** knob to reach the required FM station. The radio will change the frequency in steps of 50 kHz.
4. Rotate the rubber antenna to get the best reception. If the radio is tuned to a station of sufficient signal strength with RDS information present, the display may change to show the station name.
5. When the waveband end is reached, the radio will recommence tuning from the opposite waveband end.

### RDS station service – FM

RDS (Radio Data System) is an information system which inaudible digital information is transmitted in addition to the normal FM radio program. When the radio is receiving a RDS station and the reception strength is sufficient, the station name will appear in the display. It may take some time before the RDS information is available.

### Calling up RDS information

When you are listening to a FM station with RDS system, repeatedly press the INFO button to cycle through the information. This will only function if the reception level is sufficient and clear.

- |                       |   |
|-----------------------|---|
| a. Station name (PS)  | Displays the name of station being listened to.                               |
| b. Radio text (RT)    | Displays the message about the station being listened to as ticker text.      |
| c. Program type (PTY) | Displays the type of station being listened to, e.g. Pop, Classic, News, etc. |
| d. Frequency          | Displays the frequency of the station being listened to.                      |
| e. Stereo or Mono     | Displays Stereo or Mono.  |
| f. Signal level       | Displays the signal strength.   |
| g. Time & date        | Displays the current time (24 hour clock) and date.                           |

### Scan sensitivity setting – FM

The radio will normally scan all stations from FM broadcasts including the weaker signals. However, you may wish the Auto-scan to find only those stations with strong enough signals to give good reception.

1. Press the On/Off button to switch on the radio.
2. Select the FM band by pressing the SOURCE button.
3. Press the MENU button, the display shows “Scan Setting”.
4. Press the TUNING button.
5. Rotate the TUNING knob to select “All Stations” or “Strong Station” (default is “All Stations”). The “Strong Station” option will allow the radio to find strong signals only when scanning.
6. Press the TUNING knob to confirm your setting. The display will return to normal radio display.

### FM stereo / mono

1. If the FM station being received is weak, some hiss may be audible. To reduce the hiss, press the **Mono/Stereo** button to switch to mono mode, the display will show “Mono”.
2. To return to stereo mode, press the Mono/Stereo button and the display shows “Stereo”, the radio will switch to stereo mode automatically if the reception is good.
3. “Mono” and “Stereo” can be displayed on the LCD display (See “**Calling up RDS information**” above)

## PRESET STATIONS

### Storing preset stations

There are 20 memory presets in the radio, 10 for DAB and 10 for FM. Presets are remembered by the radio in the event of a power failure.

1. Press the **On/Off** button to switch on the radio.
2. Select the desired waveband by pressing the **SOURCE** button.
3. Tune to the required station.
4. Press and hold the required **Preset** (1–10) button until the radio beeps and shows “Saved”.
5. Repeat step 3 and 4 for the remaining presets.
6. Stations stored in the preset memories can be over-written again by following the above procedures.

### Recalling preset stations

1. Press the **On/Off** button to switch on the radio.
2. Select the desired waveband by pressing the **SOURCE** button.
3. Briefly Press the required **Preset** (1-10) button. In FM mode the display will show for example “P1” on top right hand side.

## AUX-IN MODE

A 3.5mm stereo Aux-In socket is provided on the side behind the rubber cover, for connecting an external audio device such as MP3 player or CD player (Aux cable not included with this radio).

1. Connect an audio source to the **AUX-IN** socket.
2. Press the **SOURCE** button to select AUX input. Display will show “AUX IN”.
3. Play the external player.
4. Adjust the **VOLUME** of both the radio and the player for comfortable listening.
5. After use, close the rubber cover to prevent moist or dust from entering into the sockets and radio.

**Notes:** Never use the Aux-In socket in rainy or moist conditions to prevent moist from entering the radio. Keep the rubber cover well closed under these conditions.

The Auto-Power management function will be activated in AUX mode. If there is no signal\* from the Aux-In socket for a period of over 15 minutes, the radio will automatically switch to standby mode. Pressing the **On/Off** button will wake up the unit.

\* Also when the incoming signal from the external device is too low and cannot be detected for a period of over 15 minutes by the Auto-Power management, the radio will switch to standby mode.

To prevent this raise the output level of the external device enough to be detected.

## MANUALLY SETTING CLOCK

The clock can only be set when the radio is in standby mode. If no buttons are pressed for 5 seconds, the radio will exit the clock setup and the setting is cancelled.

1. Press and hold the **TIME SET** knob for 12 seconds until the hour digits flash on the display.
2. Rotate the **TIME SET** knob to set the hour.
3. Press the **TIME SET** knob to confirm, the minute digits flash.
4. Rotate the **TIME SET** knob to set the minute.
5. Press the **TIME SET** knob to confirm. The day flashes.
6. Rotate the **TIME SET** knob to set the current day.
7. Press the **TIME SET** knob to confirm. The month flashes.
8. Rotate the **TIME SET** knob to set the current month.
9. Press the **TIME SET** knob to confirm. The year flashes.
10. Rotate the **TIME SET** knob to set the current year.
11. Press the **TIME SET** knob to confirm. "Synclock on" flashes.
12. Rotary the **TIME SET** knob to choose either "Synclock on" or "Synclock off".
13. Press the **TIME SET** knob to confirm and finish the clock setting.

### Automatic time synchronization

If "Synclock on" option is selected, the clock can be automatically set and updated every time the radio is switched on. The clock will be synchronized to the DAB or FM radio station received during the last radio operation.

If the clock is stopped or reset due to power interruption (or after a "System Reset"), the clock will be automatically set again and updated to the DAB or FM radio station received during the last radio operation. This will be done no matter the "Synclock" option is set to on or off.

Auto time set or time synchronization can take few minutes, which depends on the signal strength of the radio station. If it is not successful after 10 to 15 minutes, it may be necessary to relocate the radio to a position with better radio reception.

## VOLUME & SOUND

To adjust the volume, simply rotate the **VOLUME** knob when the radio is on. The volume level (from 00 to 40 the loudest) will be shown on the LCD Display.

### 2-Way Speakers

The **ROCKBULL** radio has built-in 2-way speakers for each channel. The woofer in each channel reproduces the lower frequencies and the tweeter in each channel reproduces the high frequencies. 2-way speakers can reproduce dynamic and powerful sound while maintains high clarity and accurate sound image.

## LOUDNESS

The **Loudness** function enables to get compensation on lower and higher frequency. The effect will be more audible when the radio is on a lower volume level (Dynamic Loudness).

1. Press the **On/Off** button to switch on the radio.
2. Press the **LOUDNESS** button alternatively, and then select between "Loudness on" or "Loudness off".
3. The display will return to normal in 3 seconds, and resume operation.

## SURROUND SOUND

The **ROCKBULL** radio uses a digital signal processor to adjust the original audio signal to reproduce a digital virtual Surround sound. The sound reproduction quality is highly enriched offering you a spacious and perspective sound field.

1. Press the **On/Off** button to switch on the radio.
2. Press the **SOURCE** button to select DAB or AUX-IN mode.
3. Press the **SURROUND** button alternatively, and then select between "Surround on" or "Surround off".
4. The display will return to normal in 3 seconds, and resume operation.

The Surround Sound effect varies strongly per music type. Mostly the best result will be obtained with "lighter and easy listening" music. "Loud and heavy" music will often result in a less "open sound" or even distortion. All this is of course strongly influenced by the volume level and selected equalizer setting.

The Surround Sound effect is best used in a larger room with reflecting walls and listening at a few metres away from the radio. Very close to the radio the Surround Sound effect is not optimal.

Note: The Surround Sound is not available in FM mode.

## EQUALIZER

The **EQUALIZER** function enables you to select a setting from 12 presets. Each presets EQ contains a group of parametric controls in the digital audio processor, which offer you optimum adjustments for various kinds of music and applications for different environments.

1. Press the **On/Off** button to switch on the radio.

- Press the **EQUALIZER** button repeatedly to select the desired EQ. The displayed EQ will be effective immediately:
  - EQ1 Neutral**
  - EQ2 Indoor**
  - EQ3 Outdoor**
  - EQ4 Flat**
  - EQ5 Rock**
  - EQ6 Soul and Jazz**
  - EQ7 Classical**
  - EQ8 Acoustic**
  - EQ9 Dance**
  - EQ10 Spoken word**
  - EQ11 Small room**
  - EQ12 Late night**
- The display will return to normal in 3 seconds, and resume operation.

### ADDITIONAL METAL TELESCOPIC ANTENNA

You can use this as an alternative antenna for your radio in areas or locations where the radio signal (FM/DAB/DAB+) is weak to very weak.

**ATTENTION: The standard antenna on the radio is flexible. The metal antenna is not flexible or bendable and should be used with care. Breaking or bending antennas is not covered by warranty.**

**Installing:** Carefully screw off the standard flexible antenna. First carefully loosen the antenna with an open-end-wrench (size 14) – turn counter anti-clockwise. Carefully screw on the metal telescopic antenna and softly tighten it with an open-end wrench key (size 14) – turn clockwise.

**ATTENTION: do not use too much force when fixing the antennas as this can damage the screw thread of the antennas or make it break off.**

### LANGUAGE SETTING

The menu of the radio can be configured to various languages.

- Press the **On/Off** button to switch on the radio.
- Press the **MENU** button, and then rotate the **TUNING** knob until the display shows “System”.
- Press the **TUNING** knob; rotate the **TUNING** knob until the display shows “Language”.
- Press the **TUNING** knob to enter the language adjustment menu.
- Rotate the **TUNING** knob until the desired language appears on the display (default is English).
- Press the **TUNING** knob to confirm your choice.
- The display menu will then change to the chosen language.

### SOFTWARE VERSION

The software display cannot be altered and is just for your reference. You can only view the software version in DAB and FM modes.

- Press the **On/Off** button to switch on the radio.
- Press the **SOURCE** button to select FM or DAB mode.
- Press the **MENU** button and then rotate the **TUNING** knob until the display shows “System”.
- Press the **TUNING** knob; rotate the **TUNING** knob until the display shows “SW version”.
- Press the **TUNING** knob to view the software version.
- Press the **MENU** button to return to the normal radio display.

### SYSTEM RESET

If the radio fails to operate correctly, or some digits on the display are missing or incomplete, carry out the following procedure.

- Press the **On/Off** button to switch on the radio.
- Press the **MENU** button.
- Rotate the **TUNING** knob until the display shows “System”. Press the **TUNING** knob.
- Rotate the **TUNING** knob until the display shows “Factory Reset”. Press the **TUNING** knob.
- Rotate the **TUNING** knob to select between “Yes” or “No”. Select “Yes” if you wish to reset the radio, otherwise, select “No”.
- Press the **TUNING** knob to confirm your choice.
- A full reset will be performed. All presets and the station list will be erased. All settings will be set to the default values. The radio will start up and the display will show “WELCOME TO DIGITAL RADIO” for a few seconds. Then the radio will automatically perform an auto scan of the Band III DAB channels and the FM band. The display will show “Scanning” in DAB and “Auto” in FM.
- When the scan is completed, the 10 strongest FM stations will be stored as presets. The radio will switch to standby with the updated clock and date showing on the display.

In case of malfunction due to electrostatic discharge; reset the product as above to resume normal operation. If you are not able to perform the reset operation as above, reconnect the power supply.

### BACKLIGHT

When the radio is in operation or in standby, pressing any button will illuminate the LCD display for approx. 10 seconds.



## ATP PASSCODE

This radio is equipped with an Anti-Theft-Protection (ATP) system. When the ATP system is enabled, a passcode is required for turning on the radio.

1. Press the **On/Off** button to turn on the radio.
2. Press the **MENU** button.
3. Rotate the **TUNING** knob until the display shows "System". Press the **TUNING** knob.
4. Rotate the **TUNING** knob until the display shows "Passcode". Press the **TUNING** knob; "Enable" or "Disable" will be displayed. To enable ATP, rotate and press the **TUNING** knob to select "Enable".
5. "Change passcode" will be displayed, enter a 4-digits numeric passcode by pressing the preset buttons (1-10).
6. "Confirm passcode" will be displayed. Enter a second time the same passcode to re-confirm.
7. To disable passcode, select "Disable" as previously showed. And re-enter the previous passcode to disable the lock.

When ATP is enabled, and if wrong passcode is entered for three times, a timer will be activated. The next attempt will be possible only after the timer has elapsed. The timer period will be increased with further wrong passcodes.

**WARNING: If you choose to activate the passcode, please note your passcode somewhere safe as a memory back-up in case you should forget it. This as there is no way to reset the radio should the passcode be forgotten!**

## WARRANTY

This radio has a 2 year limited warranty.

**WARNING ! Warranty becomes void once the radio cabinet has been opened or any modifications or alterations to the radio have been made !**

The terms of the warranty of this radio do not cover the following:

- Damage caused by misuse, abuse, neglect, alterations, accidents or unauthorised repair.
- Normal wear and tear.
- Breaking or bending of the metal telescopic antenna.

## INFORMATION



This device is noise-suppressed according to the applicable EU directives.  
This product fulfills the European directives 2006/95/EC, 2005/32/EC and 2004/108/EC.  
This device conforms to the safety regulation DIN EN 60065 (VDE 0860) and therefore the international safety regulation IEC 60065.  
Never open the device casing. The manufacturer will not accept any liability for damage resulting from improper handling.  
The type plate is located on the bottom of the device.

### Environmental note



This product has been made from high-quality parts and materials, which can be reused and recycled.  
Therefore, do not throw the product away with normal household waste at the end of its life. Take it to a collection point for recycling electrical and electronic device. This is indicated by this symbol on the product, in the operating manual and on the packaging.  
Please find out about collection points operated by your local authority. Help protect the environmental by recycling used products.

### Technical data

#### Power supply

Mains operation:  
AC 230 V ~, 50/60Hz

#### Power consumption

Operation: ≤ 85 W  
Standby: ≤ 0,5 W

#### Frequency coverage

FM 87,5 – 108,0 MHz  
DAB 174,928 – 239,200 MHz

#### Speaker

Woofer 2 x Ø130mm, 4 ohms  
Tweeter 2 x Ø45mm, 8 ohms

#### Output Power

Nominal 2 x 25W

#### Aux in socket

Ø3,5mm

#### Dimensions and weight

W x H x D: 485 x 306 x 263 mm  
Net Weight: 6.6 kg

## TABLE DES MATIERES

|  |    |
|--|----|
| 1. TABLE DES MATIERES.....                         | 1  |
| 2. INSTRUCTIONS DE SECURITE IMPORTANTES.....       | 2  |
| 3. COMMANDES.....                                  | 3  |
| 4. ALIMENTATION ELECTRIQUE.....                    | 4  |
| 5. FONCTIONS.....                                  | 4  |
| 6. PREMIERE UTILISATION DE LA RADIO.....           | 5  |
| 7. MODE DAB.....                                   | 5  |
| 8. MODE FM.....                                    | 8  |
| 9. PRESELECTION DE STATIONS.....                   | 10 |
| 10. MODE AUX-IN.....                               | 10 |
| 11. REGLAGE MANUEL DE L'HEURE ET DE LA DATE.....   | 11 |
| 12. VOLUME ET SON.....                             | 12 |
| 13. SONORITE.....                                  | 12 |
| 14. SON ENVELOPPANT.....                           | 12 |
| 15. EGALISEUR.....                                 | 13 |
| 16. ANTENNE TELESCOPIQUE EN METAL.....             | 13 |
| 17. SELECTION DE LA LANGUE.....                    | 14 |
| 18. VERSION DU LOGICIEL.....                       | 14 |
| 19. REINITIALISATION DU SYSTEME.....               | 15 |
| 20. ECLAIRAGE DE L'ECRAN.....                      | 15 |
| 21. SYSTEME DE PROTECTION CONTRE LE VOL (ATP)..... | 15 |
| 22. GARANTIE.....                                  | 16 |
| 23. INFORMATIONS.....                              | 17 |

**AVERTISSEMENT : LA GARANTIE PREND FIN LORSQUE LE BOITIER DE LA RADIO A ETE OUVERT OU LORSQUE DES MODIFICATIONS ONT ETE APORTEES A LA RADIO !**

## INSTRUCTIONS DE SECURITE IMPORTANTES

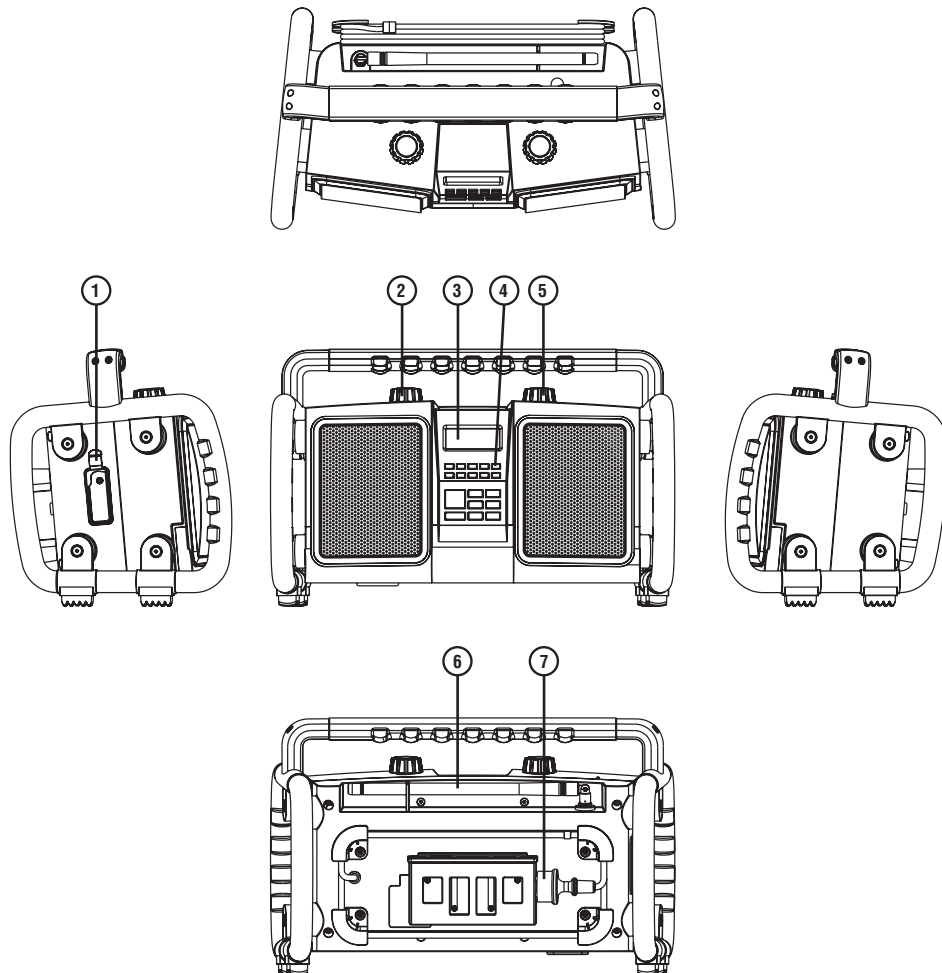
1. Lisez attentivement et complètement le mode d'emploi de la radio.
2. Conservez soigneusement ce mode d'emploi.
3. Tenez compte de tous les avertissements.
4. Suivez toutes les instructions.
5. Nettoyez la radio exclusivement avec un linge propre et sec.
6. N'obstruez pas les ouvertures de ventilation. Installez la radio conformément aux instructions.
7. N'installez pas la radio à proximité de sources de chaleur (radiateurs, grilles de chauffage, fours et autres appareils (amplis compris) qui génèrent de la chaleur).
8. Ne tenter jamais de modifier les fiches et prises polarisées ou comportant un plot de terre destiné à garantir votre sécurité. Une prise polarisée possède deux contacts, dont l'un est plus large que l'autre. Une prise à plot de terre possède deux contacts et un plot de mise à la terre. Le contact le plus large ou le plot de terre est prévu pour assurer votre sécurité. Si la fiche du cordon d'alimentation de la radio ne s'adapte pas dans la prise de courant de votre installation, consultez un électricien pour le remplacement de la prise de courant.
9. Protégez le cordon d'alimentation de la radio de manière à éviter tout dommage à celui-ci, en particulier au niveau de la fiche, de la prise de courant et de la sortie de la radio.
10. Utilisez exclusivement les pièces et accessoires prévus par le fabricant.
11. Utilisez la radio exclusivement sur un support mobile, un présentoir, un trépied, un support mural ou une table recommandé par le fabricant ou vendu avec la radio. Lors de l'utilisation d'un support mobile, soyez prudent en déplaçant l'ensemble support/radio, de façon à éviter de vous blesser en cas de chute de la radio.
12. Retirez la fiche du cordon d'alimentation de la radio de la prise de courant pendant un orage ou lorsque la radio n'est pas utilisée durant un certain temps.
13. Confiez toute réparation ou tout entretien à un personnel qualifié. Une réparation ou un entretien est nécessaire lorsque la radio, le cordon d'alimentation ou la fiche a été endommagé, lorsqu'un liquide a été renversé sur la radio et a pénétré dans celle-ci, lorsque des objets sont tombés sur la radio et ont pénétré dans celle-ci, lorsque la radio a été exposée à la pluie ou l'humidité, ou lorsque la radio est tombée d'une certaine hauteur et ne fonctionne plus normalement.
14. Afin d'éviter tout risque d'incendie ou d'électrocution, n'exposez pas la radio à la pluie ni à l'humidité.
15. Ne tentez jamais de démonter la radio. Celle-ci ne comporte aucun élément qui soit réparable par l'utilisateur.
16. Ne posez jamais sur la radio des objets dégageant de la chaleur ou présentant une flamme nue.
17. Lors d'une utilisation à l'air libre par temps humide ou pluvieux, afin de prévenir le risque d'électrocution lorsque la radio a été exposée à l'eau ou la pluie, le cordon d'alimentation ainsi que la fiche doivent être parfaitement secs avant d'insérer la fiche du cordon d'alimentation de la radio dans une prise de courant.
18. La prise de courant doit être proche de la radio et rester toujours accessible, de sorte que seule la fiche du cordon d'alimentation de la radio doit être retirée de la prise de courant en cas d'urgence.
19. Les informations légales concernant la radio se trouvent sur la face inférieure de celle-ci.
20. Cette radio est protégée contre les projections d'eau (IPX4).
21. En cas d'interférences ou de dysfonctionnement de la radio suite à une décharge électrostatique ou une surtension, retirez un bref instant la fiche du cordon d'alimentation de la prise de courant et réinsérez ensuite celle-ci dans la prise de courant.



ATTENTION : risque d'électrocution – ne pas ouvrir.

## COMMANDES

1. Entrée auxiliaire
2. Bouton de réglage du volume
3. Ecran LCD
4. Touches en caoutchouc
5. Bouton de fréquence
6. Antenne souple
7. Cordon d'alimentation



## ALIMENTATION ELECTRIQUE

### Utilisation sur courant secteur

1. Avant d'insérer la fiche du cordon d'alimentation de la radio dans une prise de courant, assurez-vous que la tension soit correcte.
2. Le logement situé à l'arrière de la radio est prévu pour y ranger le cordon d'alimentation et la fiche lorsque la radio n'est pas utilisée.

### Remarque :

Afin de déconnecter la radio du courant secteur, la fiche du cordon d'alimentation doit être retirée complètement de la prise de courant. La fiche du cordon d'alimentation doit rester accessible en cours d'utilisation de la radio. En cas d'interférences ou de dysfonctionnement de la radio suite à une décharge électrostatique ou une surtension, retirez un bref instant la fiche du cordon d'alimentation de la prise de courant et réinsérez ensuite celle-ci dans la prise de courant.

## FONCTIONS

1. **Allumage/Extinction**  
Appuyez sur la touche **ON/OFF** pour allumer la radio ou mettre celle-ci en mode Standby (Veille).
2. **Sélection du mode DAB / FM / AUX-IN**  
Appuyez sur la touche **SOURCE** pour passer d'un mode à l'autre.
3. **Réglage de la radio sur la station souhaitée**  
Tournez le bouton de **FREQUENCE** (bouton de droite) pour choisir la station que vous souhaitez écouter.
4. **Réglage du volume**  
Tournez le bouton de **VOLUME** (bouton de gauche) pour régler le volume d'écoute.
5. **Sélection du mode égaliseur préprogrammé**  
Appuyez plusieurs fois sur la touche **EGALISEUR** pour sélectionner le mode égaliseur souhaité.
6. **Sélection du mode Mono ou Stéréo (uniquement en mode FM)**  
Appuyez sur la touche **MONO/STEREO** pour sélectionner le mode FM-Mono ou FM-Stéréo.
7. **Utilisation de la fonction AUX-IN**  
Raccordez la sortie audio d'un appareil audio externe à la prise AUX-IN de Ø3,5mm et démarrez l'appareil audio externe.
8. **Système de protection contre le vol (ATP)**  
Appuyez sur les touches de **présélection de stations** (1-10) pour entrer un code PIN constitué de 4 chiffres.

## PREMIERE UTILISATION DE LA RADIO

1. Placez la radio sur une surface stable et plane.
2. Relevez prudemment l'antenne souple située sur la face supérieure de la radio. Orientez l'antenne verticalement par rapport à la radio.
3. Insérez la fiche du cordon d'alimentation de la radio dans une prise de courant. La radio s'allumera automatiquement et le message "WELCOME TO DIGITAL RADIO" (BIENVENUE A LA RADIO NUMERIQUE) apparaîtra pendant quelques secondes à l'écran. La radio effectuera ensuite automatiquement un balayage des bandes de fréquences DAB et FM. "Scanning" sera affiché à l'écran pour la bande de fréquences DAB et "Auto" sera affiché à l'écran pour la bande de fréquences FM.
4. Lorsque le balayage est terminé, les 10 stations FM offrant le meilleur signal de réception seront alors mises dans la mémoire de stations présélectionnées et les 10 stations DAB disponibles seront placées dans la liste de stations DAB. Après ce premier balayage, la radio se mettra automatiquement en mode Standby (Veille) et l'heure et la date actualisées seront ensuite affichées à l'écran.
5. En l'absence de réception d'un signal radio, l'heure et la date ne seront pas actualisées. Il peut alors être nécessaire de placer la radio dans un autre endroit offrant une meilleure réception.

## MODE DAB (DAB – DAB+)

### Utilisation de la radio en mode DAB

1. Relevez prudemment l'antenne souple et orientez celle-ci verticalement par rapport à la radio. Appuyez ensuite sur la touche **ON/OFF** pour allumer la radio.
2. Appuyez sur la touche **SOURCE** et sélectionnez le mode DAB.
3. La première station DAB de la liste de stations DAB disponibles sera alors audible et le nom de la station sera affiché à l'écran. Si la radio a déjà été utilisée dans le passé, la dernière station DAB sélectionnée sera dans ce cas audible.
4. Lorsqu'aucun signal DAB n'a été trouvé, le message "No stations available" (Aucune station disponible) sera affiché à l'écran. Il peut être nécessaire dans ce cas de placer la radio dans un autre endroit offrant une meilleure réception. Vous devez ensuite effectuer un Auto Scan pour rechercher des stations DAB. Voir le point "**Recherche automatique de nouvelles stations en mode DAB**".

### Sélection d'une station en mode DAB

1. Appuyez sur la touche **ON/OFF** pour allumer la radio. Le message "Connecting" (Connexion) et "Playing" (Recherche) apparaîtra pendant quelques secondes à l'écran.
2. Le nom de la station DAB trouvée sera ensuite affiché à l'écran.
3. Tournez le bouton de **FREQUENCE** pour parcourir la liste de stations DAB disponibles.
4. Lorsque le nom de la station DAB souhaitée apparaît à l'écran, appuyez sur le bouton de **FREQUENCE** pour sélectionner la station DAB en question.

**Remarque :** Lorsque le message "No stations available" (Aucune station disponible) apparaît à l'écran après avoir sélectionné une station DAB, il peut être nécessaire dans ce cas de placer la radio dans un autre endroit offrant une meilleure réception.

## Affichage en mode DAB

En mode DAB, la radio est capable d'afficher diverses informations. Appuyez sur la touche **INFO** pour parcourir les différentes informations disponibles.

- |                            |   |
|----------------------------|---|
| a. Texte                   | Affiche des informations de la station DAB que vous écoutez, sous la forme d'un texte défilant. Exemples : nom/fréquence de la station, nom de l'artiste/album, numéro de téléphone, etc. |
| b. Force du signal         | Affiche la force du signal de réception de la station DAB que vous écoutez. Le bloc ouvert indique le niveau minimum du signal nécessaire pour obtenir une bonne réception.               |
| c. Type de programme       | Affiche le type de programme que vous écoutez. Exemples : Pop, Classique, Actualités, etc.  |
| d. Nom du multiplexe       | Affiche le nom du multiplexe auquel la station DAB appartient.  |
| e. Canal et fréquence      | Affiche le numéro de canal et la fréquence de la station DAB que vous écoutez.  |
| f. Débit binaire et format | Affiche le débit binaire et le format audio de l'émission écoutée.  |
| g. Heure et date           | Affiche l'heure exacte et la date.  |

## Recherche automatique de nouvelles stations en mode DAB

De temps à autre, il se peut que de nouvelles stations DAB soient disponibles. Pour rechercher de nouvelles stations DAB :

1. En mode DAB, appuyez sur la touche **MENU**. "Full scan" (Balayage complet) sera ensuite affiché à l'écran.
2. Appuyez sur le bouton de **FREQUENCE**. La radio effectuera alors un balayage complet des fréquences de la DAB Bande III. Lorsque la radio trouve de nouvelles stations DAB, le compteur de stations du côté droit de l'écran augmentera de valeur et les nouvelles stations DAB seront ajoutées à la liste de stations DAB mémorisées par la radio.

## Recherche manuelle de stations en mode DAB

Une recherche manuelle vous offre la possibilité de sélectionner directement des stations dans la DAB Bande III. Tous les multiplexes dans la bande de fréquences en question seront mémorisés dans la liste de stations DAB disponibles.

1. En mode DAB, appuyez sur la touche **MENU** et tournez le bouton de **FREQUENCE** jusqu'à ce que l'option "Manual tune" (Syntonisation manuelle) soit affichée à l'écran. Appuyez ensuite sur le bouton de **FREQUENCE**. La bande de fréquences DAB et la fréquence seront alors affichées à l'écran.
2. Tournez le bouton de **FREQUENCE** pour sélectionner la fréquence souhaitée et appuyez ensuite sur le bouton de **FREQUENCE** pour confirmer votre choix de la fréquence en question.

3. Lorsque des stations DAB dans la bande de fréquences souhaitée ont été trouvées, le nom des stations DAB sera alors affiché à l'écran. Les nouvelles stations DAB qui ont été trouvées seront ajoutées à la liste de stations DAB mémorisées par la radio.
4. L'affichage de la force du signal indique le niveau du signal capté par la radio. Le bloc ouvert indique le niveau minimum du signal nécessaire pour obtenir une bonne réception. L'affichage de la force du signal change lorsque vous changez la position de l'antenne et/ou de la radio.
5. Répétez les points 1 à 4 ci-dessus pour rechercher d'autres stations dans la bande de fréquences DAB.
6. Appuyez deux fois sur la touche **MENU** pour quitter le mode de recherche manuelle de stations et revenir au menu DAB standard.

### Réglages Dynamic Range Control (DRC) en mode DAB

La fonction DRC permet de rendre des sons doux plus audibles lorsque la radio est utilisée dans un environnement ou un endroit particulièrement bruyant.

1. En mode DAB, appuyez sur la touche **MENU** et tournez le bouton de **FREQUENCE** jusqu'à ce que l'option "DRC value" (Valeur DRC) soit affichée à l'écran. Appuyez ensuite sur le bouton de **FREQUENCE**.
2. Tournez le bouton de **FREQUENCE** pour sélectionner le réglage DRC souhaité (normalement, la fonction DRC est désactivée).
 

|          |   |
|----------|---|
| DRC off  | Fonction DRC désactivée. Le niveau DRC émis est ignoré. |
| DRC high | Niveau DRC réglé à 100 % du niveau émis.                |
| DRC low  | Niveau DRC réglé à 50 % du niveau émis.                 |
3. Appuyez sur le bouton de **FREQUENCE** pour confirmer votre sélection et revenir au menu DAB standard.

**Remarque** : Toutes les stations DAB n'utilisent pas la fonction DRC. Lorsqu'une station DAB n'émet aucune information DRC, les réglages DRC n'auront aucun effet sur la radio.

### Suppression de stations non disponibles en mode DAB

Lorsque vous vous rendez dans une autre région ou un autre pays, il se peut que certaines stations DAB se trouvant dans la liste de stations DAB ne soient plus disponibles. Il se peut également que certaines stations DAB arrêtent d'émettre ou changent de lieu ou de fréquence. Cette fonction permet de supprimer de la liste de stations DAB, les stations DAB qui ne sont plus disponibles.

1. En mode DAB, appuyez sur la touche **MENU**.
2. Tournez le bouton de **FREQUENCE** jusqu'à ce que "Prune" (Suppression) soit affiché à l'écran.
3. Appuyez sur le bouton de **FREQUENCE** pour accéder à la fonction de suppression de stations DAB.
4. Tournez le bouton de **FREQUENCE** pour sélectionner "Yes" (Oui) ou "No" (Non). Sélectionnez "Yes" (Oui) pour activer la fonction de suppression ou "No" (Non) pour désactiver la fonction de suppression. (Le réglage standard est Non).

5. Appuyez sur le bouton de **FREQUENCE** pour confirmer votre sélection. Appuyez ensuite sur la touche **MENU** pour revenir au menu DAB standard.

**Remarque** : Lorsque vous vous rendez dans une autre région ou un autre pays, il est conseillé d'effectuer une recherche des nouvelles stations DAB disponibles. Voir à cet effet le point "Recherche automatique de nouvelles stations en mode DAB".

## MODE FM

### Utilisation de la radio en mode FM

#### Recherche automatique de stations en mode FM

1. Appuyez sur la touche **ON/OFF** pour allumer la radio.
2. Appuyez sur la touche **SOURCE** et sélectionnez le mode FM.
3. Lors de la première utilisation de la radio en mode FM, la station FM dans la mémoire de présélection 1 sera sélectionnée. Si la radio a déjà été utilisée dans le passé, la dernière station FM écoutée sera dans ce cas sélectionnée.
4. Pour rechercher une autre station FM, appuyez sur le bouton de **FREQUENCE**. La radio lancera alors la recherche et s'arrêtera automatiquement lorsqu'elle trouve une station FM offrant une bonne réception.
5. Après quelques secondes, le nom de la station FM sera affiché à l'écran lorsque des informations RDS sont captées par la radio.
6. Appuyez de nouveau sur le bouton de **FREQUENCE** pour rechercher d'autres stations FM.
7. Il vous est possible de spécifier dans quel sens la radio doit rechercher des stations FM. Tournez le bouton de **FREQUENCE** dans le sens des aiguilles d'une montre pour rechercher des stations FM depuis les basses fréquences vers les hautes fréquences ou dans le sens inverse des aiguilles d'une montre pour rechercher des stations FM depuis les hautes fréquences vers les basses fréquences et appuyez ensuite sur le bouton de **FREQUENCE**.
8. Lorsque la fin de la plage de fréquences FM est atteinte, la radio recommencera la recherche depuis l'autre extrémité de la plage de fréquences FM.

#### Recherche manuelle de stations en mode FM

1. Appuyez sur la touche **ON/OFF** pour allumer la radio.
2. Appuyez sur la touche **SOURCE** et sélectionnez le mode FM.
3. Tournez le bouton de **FREQUENCE** pour atteindre la fréquence de la station FM souhaitée. La fréquence changera par incréments de 50 kHz.
4. Tournez éventuellement l'antenne souple pour obtenir une meilleure réception. Lorsque la radio est réglée sur une station FM offrant une bonne réception et capte des informations RDS, le nom de la station FM sera affiché à l'écran.
5. Lorsque la fin de la plage de fréquences FM est atteinte, la radio recommencera la recherche depuis l'autre extrémité de la plage de fréquences FM.

## Système d'informations RDS en mode FM

Le RDS (Radio Data System) est un système d'informations par lequel des informations numériques non audibles sont émises en plus du programme radio FM normal. Lorsque la radio capte une station RDS et que la réception est suffisamment bonne, le nom de la station FM apparaîtra à l'écran LCD. Un certain temps peut s'écouler avant que les informations RDS soient disponibles.

### Consultation des informations RDS

Lorsque vous écoutez une station FM comportant le système RDS, appuyez plusieurs fois sur la touche **INFO** pour parcourir les informations RDS disponibles. Ceci fonctionne uniquement lorsque la réception est suffisamment bonne et claire.

- |                            |  |
|----------------------------|--|
| a. Nom de la station (PS)  | Affiche le nom de la station FM que vous écoutez.  |
| b. Radio Texte (RT)        | Affiche des messages de la station FM que vous écoutez, sous la forme d'un texte défilant.     |
| c. Type de Programme (PTY) | Affiche le type de station FM que vous écoutez.<br>Exemples : Pop, Classique, Actualités, etc. |
| d. Fréquence               | Affiche la fréquence de la station FM que vous écoutez.  |
| e. Stéréo ou Mono          | Affiche Stereo ou Mono.  |
| f. Force du signal         | Affiche la force du signal de réception de la station FM que vous écoutez.                     |
| g. Heure et Date           | Affiche l'heure exacte (horloge 24 heures) et la date.   |

### Réglage de la sensibilité de balayage en mode FM

La radio effectue normalement un balayage de toutes les stations FM disponibles, y compris celles dont le signal est faible. Il est toutefois possible de régler la fonction de balayage automatique de telle sorte que seules les stations FM dont le signal est fort assez pour offrir une bonne réception, soient captées.

1. Appuyez sur la touche **ON/OFF** pour allumer la radio.
2. Appuyez sur la touche **SOURCE** et sélectionnez le mode FM.
3. Appuyez sur la touche **MENU**. "Scan Setting" (Réglage de la sensibilité de balayage) sera ensuite affiché à l'écran.
4. Appuyez sur le bouton de **FREQUENCE**.
5. Tournez le bouton de **FREQUENCE** et sélectionnez "All Stations" (Toutes les stations) ou "Strong Stations" (Stations au signal fort). Le réglage standard est "All stations" (Toutes les stations). Lorsque l'option "Strong stations" (Stations au signal fort) a été sélectionnée, la radio recherchera, lors du balayage des stations FM, uniquement les stations dont le signal est fort.
6. Appuyez sur le bouton de **FREQUENCE** pour confirmer votre sélection et revenir au menu FM standard.

## FM stéréo / mono

1. Lorsque le signal de la station FM captée est faible, il se peut que des bruits de fond soient audibles. Appuyez dans ce cas sur la touche **MONO/STEREO** pour sélectionner le mode mono et atténuer les bruits de fond. "Mono" sera affiché à l'écran.
2. Pour revenir en mode stéréo, appuyez de nouveau sur la touche **MONO/STEREO**. "Stereo" sera affiché à l'écran. La radio se mettra automatiquement en mode stéréo lorsque la réception est bonne et claire.
3. L'écran peut afficher "Mono" ou "Stereo" (voir le point "**Consultation d'informations RDS en mode FM**").

## PRESELECTION DE STATIONS

### Mémoire de stations présélectionnées

La radio possède 20 emplacements de mémoire de stations présélectionnées, 10 pour la FM et 10 pour la DAB. Les stations présélectionnées seront conservées dans la mémoire de la radio même en cas de coupure de courant.

1. Appuyez sur la touche **ON/OFF** pour allumer la radio.
2. Appuyez sur la touche **SOURCE** et sélectionnez le mode FM ou DAB.
3. Réglez la radio sur la station FM ou DAB souhaitée.
4. Appuyez sur la touche de **PRESELECTION** souhaitée (1-10) jusqu'à ce que la radio émette un bip et affiche "Saved" (Mémorisée).
5. Répétez les points 3 et 4 ci-dessus pour les autres présélections.
6. Les stations présélectionnées et mémorisées peuvent être écrasées en répétant les points 3 et 4 ci-dessus.

### Rappel de stations présélectionnées

1. Appuyez sur la touche **ON/OFF** pour allumer la radio.
2. Appuyez sur la touche **SOURCE** et sélectionnez le mode FM ou DAB.
3. Appuyez brièvement sur la touche de **PRESELECTION** souhaitée (1-10). Le numéro de la présélection, par exemple "P1", sera ensuite affiché dans le coin supérieur droit de l'écran.

## MODE AUX-IN

Une prise **AUX-IN** stéréo de 3,5 mm est prévue sur le côté de la radio, derrière la coiffe en caoutchouc. Celle-ci permet d'y brancher des appareils audio externes tels que lecteur MP3 ou lecteur de CD (lecteur et câble auxiliaire non fournis avec la radio).

1. Raccordez un câble audio à la prise **AUX-IN**.
2. Appuyez sur la touche **SOURCE** et sélectionnez le mode AUX-IN. "AUX IN" sera alors affiché à l'écran.

3. Allumez et démarrez le lecteur externe.
4. Réglez le **VOLUME** de la radio et du lecteur externe au niveau d'écoute souhaité.
5. Après utilisation de la prise **AUX-IN**, replacez la coiffe en caoutchouc sur la prise afin d'éviter que de la poussière ou de l'humidité pénètre dans la prise et la radio.

**Remarques** : N'utilisez jamais la prise AUX-IN sous la pluie ou dans un environnement humide, de façon à éviter que de l'humidité pénètre dans la radio. Conservez dans ce cas la coiffe en caoutchouc toujours bien fermée.

La fonction de gestion automatique de l'alimentation sera activée en mode AUX-IN. En l'absence de signal d'entrée à la prise AUX-IN pendant 15 minutes, la radio se mettra automatiquement en mode standby (veille). Pour rallumer la radio, appuyez sur la touche **ON/OFF**.

\* Lorsque le signal d'entrée du lecteur externe est trop faible et ne peut être détecté pendant 15 minutes par la fonction de gestion automatique de l'alimentation, la radio se mettra automatiquement en mode standby (veille). Afin d'éviter que la radio se mette en mode standby (veille), augmentez légèrement le volume de sortie du lecteur externe jusqu'à ce que le signal soit détecté.

## REGLAGE MANUEL DE L'HEURE ET DE LA DATE

L'heure et la date peuvent être réglées manuellement uniquement lorsque la radio est en mode standby (veille). Lorsqu'aucune touche n'est activée pendant 5 secondes, la radio quittera le mode de réglage de l'heure et de la date et l'heure et la date réglées seront annulées.

1. Appuyez sur le bouton de **FREQUENCE** pendant 12 secondes jusqu'à ce que les chiffres correspondant aux heures clignotent à l'écran.
2. Tournez le bouton de **FREQUENCE** pour régler l'heure.
3. Appuyez sur le bouton de **FREQUENCE** pour confirmer, les chiffres correspondant aux minutes clignoteront ensuite à l'écran.
4. Tournez le bouton de **FREQUENCE** pour régler les minutes.
5. Appuyez sur le bouton de **FREQUENCE** pour confirmer, les chiffres correspondant aux jours clignoteront ensuite à l'écran.
6. Tournez le bouton de **FREQUENCE** pour régler le jour exact.
7. Appuyez sur le bouton de **FREQUENCE** pour confirmer, les chiffres correspondant aux mois clignoteront ensuite à l'écran.
8. Tournez le bouton de **FREQUENCE** pour régler le mois exact.
9. Appuyez sur le bouton de **FREQUENCE** pour confirmer, les chiffres correspondant aux années clignoteront ensuite à l'écran.
10. Tournez le bouton de **FREQUENCE** pour régler l'année exacte.
11. Appuyez sur le bouton de **FREQUENCE** pour confirmer. "Synclock on" (Synchronisation de l'heure) clignotera ensuite à l'écran.
12. Tournez le bouton de **FREQUENCE** pour sélectionner "Synclock on" ou "Synclock off".
13. Appuyez sur le bouton de **FREQUENCE** pour confirmer votre sélection et terminer le réglage de l'heure et de la date.

## Synchronisation automatique de l'heure

Lorsque l'option "Synclock on" a été sélectionnée, l'heure sera réglée automatiquement chaque fois que la radio est allumée. L'heure sera synchronisée avec celle de la station DAB ou FM captée lors de la dernière utilisation de la radio.

Lorsque l'heure s'est arrêtée ou a été remise à zéro suite à une coupure de courant (ou après une réinitialisation du système), celle-ci sera réglée et synchronisée automatiquement avec l'heure de la station DAB ou FM captée lors de la dernière utilisation de la radio, indépendamment du fait que l'option "Synclock" ait été activée ou désactivée.

La synchronisation automatique de l'heure peut prendre quelques minutes, en fonction de la force du signal de réception de la station DAB ou FM. Lorsque l'heure n'a pas été synchronisée après 10 à 15 minutes, il peut être nécessaire dans ce cas de placer la radio dans un autre endroit offrant une meilleure réception.

## VOLUME ET SON

Lorsque la radio est allumée, tournez le bouton de **VOLUME** pour régler le volume au niveau d'écoute souhaité. Le niveau du volume (de 00 au niveau le plus élevé, soit 40) sera affiché à l'écran LCD.

## Haut-parleurs deux voies

La radio **ROCKBULL** possède deux haut-parleurs deux voies pour chaque canal. Le woofer reproduit les basses fréquences (sons graves) dans chaque canal et le tweeter reproduit les hautes fréquences (sons aigus) dans chaque canal. Les deux haut-parleurs deux voies permettent de générer un son dynamique et puissant, d'une clarté exceptionnelle.

## SONORITE

La fonction **LOUDNESS** (Sonorité) permet d'obtenir une compensation du son dans les basses et hautes fréquences. L'effet sera plus audible lorsque la radio est réglée à un faible volume (Dynamic Loudness).

1. Appuyez sur la touche **ON/OFF** pour allumer la radio.
2. Appuyez sur la touche **LOUDNESS** et sélectionnez "Loudness on" ou "Loudness off".
3. Après 3 secondes, l'écran reviendra automatiquement en mode d'affichage normal.

## SON ENVELOPPANT

La radio **ROCKBULL** utilise un processeur audio numérique afin d'adapter le signal audio d'origine et créer un son enveloppant numérique virtuel (Surround Sound). La qualité de reproduction du son se trouve ainsi fortement enrichie, de façon à générer un son spatial enveloppant.

1. Appuyez sur la touche **ON/OFF** pour allumer la radio.
2. Appuyez sur la touche **SOURCE** et sélectionnez le mode DAB ou AUX-IN.
3. Appuyez sur la touche **SURROUND** et sélectionnez "Surround on" ou "Surround off".
4. Après 3 secondes, l'écran reviendra automatiquement en mode d'affichage normal.

L'effet de son enveloppant varie fortement en fonction du type de musique. Le meilleur résultat est obtenu le plus souvent avec une musique légère, facile à écouter. Dans le cas d'une musique lourde et bruyante, le son est susceptible d'être moins ouvert, avec des distorsions à certains moments. Cela dépend bien entendu également du niveau de volume de la radio et du réglage de l'égaliseur. L'effet de son enveloppant est le mieux perceptible dans un grand volume comportant des murs réfléchissants, lorsque vous vous trouvez à plusieurs mètres de la radio. Celui-ci n'est pas optimal lorsque vous vous trouvez à proximité de la radio.

**Remarque :** La fonction Surround Sound n'est pas disponible en mode FM.

## EGALISEUR

La fonction **EGALISEUR** permet de sélectionner l'un des 12 réglages égaliseur préprogrammés. Chaque réglage préprogrammé comporte un groupe d'options de paramètres destinés au processeur audio numérique. Le processeur peut ainsi être réglé de façon optimale pour différents types de musiques et une utilisation de la radio dans différents environnements.

1. Appuyez sur la touche **ON/OFF** pour allumer la radio.
2. Appuyez plusieurs fois sur la touche **EGALISEUR** pour sélectionner le réglage égaliseur souhaité. Le réglage égaliseur affiché à l'écran est immédiatement audible :
  - EQ1 Neutre**
  - EQ2 A l'intérieur**
  - EQ3 A l'extérieur**
  - EQ4 Plat**
  - EQ5 Rock**
  - EQ6 Soul et Jazz**
  - EQ7 Classique**
  - EQ8 Acoustique**
  - EQ9 Dance**
  - EQ10 Paroles**
  - EQ11 Petit espace**
  - EQ12 En soirée**
3. Après 3 secondes, l'écran reviendra automatiquement en mode d'affichage normal.

## ANTENNE TELESCOPIQUE EN METAL

L'antenne télescopique en métal peut être utilisée dans des endroits où le signal de réception radio (FM/DAB/DAB+) est faible à très faible.

**ATTENTION :** L'antenne standard de la radio est une antenne souple. L'antenne télescopique en métal est par contre une antenne rigide. Celle-ci doit être manipulée avec précaution. Le bris ou la courbure excessive de l'antenne télescopique en métal n'est pas couvert par la garantie.

**Montage :** Dévissez l'antenne souple standard. Desserrez d'abord celle-ci avec précaution à l'aide d'une clé plate de 14. Tournez dans le sens inverse des aiguilles d'une montre. Vissez ensuite avec précaution l'antenne télescopique en métal. Serrez légèrement celle-ci à l'aide d'une clé plate de 14. Tournez dans le sens des aiguilles d'une montre.

**ATTENTION :** Evitez de serrer exagérément les antennes avec la clé plate de 14 au risque d'endommager ou de briser la partie filetée des antennes.

## SELECTION DE LA LANGUE

La radio peut être réglée de façon à ce que l'affichage du menu soit dans la langue de votre choix.

1. Appuyez sur la touche **ON/OFF** pour allumer la radio.
2. Appuyez sur la touche **MENU** et tournez le bouton de **FREQUENCE** jusqu'à ce que "System" soit affiché à l'écran.
3. Appuyez sur le bouton de **FREQUENCE** et tournez ensuite celui-ci jusqu'à ce que "Language" (Langue) soit affiché à l'écran.
4. Appuyez sur le bouton de **FREQUENCE** pour entrer dans le menu de sélection de la langue.
5. Tournez le bouton de **FREQUENCE** pour sélectionner la langue souhaitée. Le réglage standard est l'anglais.
6. Appuyez sur le bouton de **FREQUENCE** pour confirmer votre sélection.
7. Le menu sera ensuite affiché dans la langue choisie.

## VERSION DU LOGICIEL

Il n'est pas possible de modifier l'affichage de la version du logiciel. Cet affichage est donné uniquement à titre d'information. Il est cependant possible de voir la version du logiciel en mode DAB ou FM.

1. Appuyez sur la touche **ON/OFF** pour allumer la radio.
2. Appuyez sur la touche **SOURCE** et sélectionnez le mode FM ou DAB.
3. Appuyez sur la touche **MENU** et tournez ensuite le bouton de **FREQUENCE** jusqu'à ce que "System" soit affiché à l'écran.
4. Appuyez sur le bouton de **FREQUENCE** et tournez celui-ci jusqu'à ce que "SW version" (Version du logiciel) soit affiché à l'écran.
5. Appuyez sur le bouton de **FREQUENCE** pour voir la version du logiciel.
6. Appuyez sur la touche **MENU** pour revenir en mode d'affichage normal.



## REINITIALISATION DU SYSTEME

Lorsque la radio ne fonctionne pas correctement, lorsque certains chiffres ne sont pas affichés ou lorsque des chiffres ne sont pas affichés correctement, suivez la procédure d'initialisation décrite ci-dessous.

1. Appuyez sur la touche **ON/OFF** pour allumer la radio.
2. Appuyez sur la touche **MENU**.
3. Tournez le bouton de **FREQUENCE** jusqu'à ce que "System" soit affiché à l'écran. Appuyez ensuite sur le bouton de **FREQUENCE**.
4. Tournez ensuite le bouton de **FREQUENCE** jusqu'à ce que "Factory reset" (Réglages d'usine) soit affiché à l'écran. Appuyez sur le bouton de **FREQUENCE**.
5. Tournez ensuite le bouton de **FREQUENCE** pour sélectionner "Yes" ("Oui") ou "No" ("Non"). Sélectionnez "Yes" ("Oui") si vous souhaitez réinitialiser la radio ou "No" ("Non") dans le cas contraire.
6. Appuyez sur le bouton de **FREQUENCE** pour confirmer votre sélection.
7. Une réinitialisation complète de la radio sera alors effectuée. La mémoire de stations FM présélectionnées et la liste de stations DAB disponibles seront effacées. Tous les réglages personnels seront annulés. Les réglages d'usine seront alors restaurés. Le message "WELCOME TO DIGITAL RADIO" (BIENVENUE A LA RADIO NUMERIQUE) sera ensuite affiché pendant quelques secondes à l'écran et la radio effectuera automatiquement un balayage de la plage de fréquences DAB Bande III et FM. "Scanning" sera affiché à l'écran en mode DAB et "Auto" sera affiché à l'écran en mode FM.
8. Lorsque le balayage est terminé, les 10 stations FM offrant le meilleur signal de réception seront alors mises dans la mémoire de stations FM présélectionnées et les 10 stations DAB disponibles seront placées dans la liste de stations DAB. Après ce premier balayage, la radio se mettra automatiquement en mode Standby (Veille) et l'heure et la date actualisées seront ensuite affichées à l'écran.

En cas d'interférences ou de dysfonctionnement de la radio suite à une décharge électrostatique, procédez à une réinitialisation de la radio comme décrit ci-dessus. Si vous ne parvenez pas à exécuter la procédure d'initialisation décrite ci-dessus, retirez un bref instant la fiche du cordon d'alimentation de la radio de la prise de courant et réinsérez ensuite celle-ci dans la prise de courant.

## ECLAIRAGE DE L'ECRAN

Lorsque la radio est allumée ou en mode standby (veille), appuyez sur n'importe quelle touche pour éclairer l'écran LCD pendant environ 10 secondes.

## SYSTEME DE PROTECTION CONTRE LE VOL (ATP)

La radio **ROCKBULL** est équipée d'un système de protection contre le vol (système ATP). Lorsque le système ATP est activé, un code PIN est nécessaire pour déverrouiller et utiliser la radio.

1. Appuyez sur la touche **ON/OFF** pour allumer la radio.
2. Appuyez sur la touche **MENU**.
3. Tournez le bouton de **FREQUENCE** jusqu'à ce que "System" soit affiché à l'écran. Appuyez ensuite sur le bouton de **FREQUENCE**.
4. Tournez le bouton de **FREQUENCE** jusqu'à ce que "Passcode" (Code PIN) soit affiché à l'écran. Appuyez ensuite sur le bouton de **FREQUENCE**. "Enable" (Activer) ou "Disable" (Désactiver) apparaîtra alors à l'écran. Pour activer le système ATP, tournez le bouton de **FREQUENCE** et sélectionnez "Enable" (Activer).
5. "Change Passcode" (Changer Code PIN) apparaîtra ensuite à l'écran. Entrez un code PIN constitué de 4 chiffres à l'aide des touches de présélection de stations (1-10).
6. "Confirm Passcode" (Confirmer Code PIN) apparaîtra ensuite à l'écran. Entrez de nouveau le même code PIN pour confirmer celui-ci.
7. Pour désactiver le système ATP, sélectionnez l'option "Disable" (Désactiver) comme décrit ci-dessus. Entrez ensuite votre code PIN pour désactiver le système ATP.

Lorsque le système ATP est activé et lorsque le mauvais code PIN a été entré trois fois de suite, une minuterie sera alors activée. Il est dans ce cas nécessaire d'attendre que le temps défini par la minuterie soit écoulé pour faire une nouvelle tentative. Le temps défini par la minuterie s'allongera de plus en plus en fonction du nombre de tentatives infructueuses.

**AVERTISSEMENT : Lorsque vous décidez d'utiliser un code PIN afin de protéger la radio contre le vol, notez et conservez celui-ci dans un endroit sûr. Cette précaution est fortement conseillée, étant donné qu'il n'existe aucune autre manière de déverrouiller la radio en cas d'oubli du code PIN !**

## GARANTIE

Ce produit est garanti pendant deux ans.

**AVERTISSEMENT : LA GARANTIE PREND FIN LORSQUE LE BOITIER DE LA RADIO A ETE OUVERT OU LORSQUE DES MODIFICATIONS ONT ETE APORTEES A LA RADIO !**

La garantie de la radio ne couvre pas :

- Les dommages et le bris résultant d'une utilisation non correcte, d'un usage abusif, d'une négligence, de modifications, d'accidents ou de réparations non autorisées.
- L'usure normale en cours d'utilisation.
- Le bris ou la courbure excessive de l'antenne télescopique en métal.

## INFORMATIONS



La radio est déparasitée conformément aux directives EU en vigueur. Ce produit satisfait aux directives européennes 2006/95/CE, 2005/32/CE et 2004/108/CE.

La radio satisfait à la réglementation en matière de sécurité DIN EN 60065 (VDE 0860) et dès lors à la réglementation internationale en matière de sécurité IEC 60065.

Ne jamais ouvrir le boîtier de la radio. Le fabricant décline toute responsabilité en cas de dommages résultant d'une utilisation non correcte ou abusive de la radio.

La plaque signalétique se trouve sur la face inférieure de la radio.

### Protection de l'environnement



Ce produit est fabriqué avec des pièces et des matériaux de qualité, susceptibles d'être réutilisés et recyclés.

Lorsque ce produit a atteint la fin de sa vie utile, ne le jetez pas conséquent pas avec les ordures ménagères ordinaires, mais confiez-le à un point de collecte et de recyclage d'appareils électriques et électroniques. Le symbole ci-contre figure à cet effet sur le produit, dans le mode d'emploi ainsi que sur l'emballage.

Veuillez-vous informer auprès des autorités communales au sujet des points de collecte les plus proches de chez vous. Aidez à protéger l'environnement en recyclant les produits usagés.

### Données techniques

#### Alimentation électrique

Courant secteur :  
AC 230 V ~, 50/60Hz

#### Consommation de courant

Utilisation : ≤ 85 W  
Standby : ≤ 0,5 W

#### Plage de fréquences

FM 87,5 – 108,0 MHz  
DAB 174,928 – 239,200 MHz

#### Haut-parleurs

Woofer 2 x Ø130mm, 4 ohm  
Tweeter 2 x Ø45mm, 8 ohm

#### Puissance de sortie

Nominal 2 x 25 W

#### Entrée auxiliaire

Ø3,5mm

#### Dimensions et poids

L x H x P : 485 x 306 x 263 mm  
Poids net : 6,6 kg

## INHALTSVERZEICHNIS

|   |    |
|---|----|
| 1. INHALTSVERZEICHNIS .....               | 1  |
| 2. WICHTIGE SICHERHEITSVORKEHRUNGEN.....  | 2  |
| 3. GERÄTEÜBERSICHT .....                  | 3  |
| 4. STROMVERSORGUNG .....                  | 4  |
| 5. ALLGEMEINE FUNKTIONEN .....            | 4  |
| 6. ERSTMALIGER GEBRAUCH DES RADIOS .....  | 5  |
| 7. DAB-MODUS .....                        | 5  |
| 8. UKW-MODUS .....                        | 8  |
| 9. LIEBLINGSENDER .....                   | 9  |
| 10. AUX-IN-MODUS.....                     | 10 |
| 11. MANUELLE EINSTELLUNG DER UHRZEIT..... | 10 |
| 12. LAUTSTÄRKE & TON.....                 | 11 |
| 13. LAUTHEIT.....                         | 12 |
| 14. SURROUND SOUND.....                   | 12 |
| 15. EQUALIZER.....                        | 12 |
| 16. ZUSÄTZLICHE TELESKOPANTENNE .....     | 13 |
| 17. SPRACHEINSTELLUNGEN .....             | 13 |
| 18. SOFTWARE-VERSION .....                | 14 |
| 19. SYSTEMRÜCKSTELLUNG .....              | 14 |
| 20. HINTERGRUNDBELEUCHTUNG .....          | 15 |
| 21. PASSWORT .....                        | 15 |
| 22. GARANTIE .....                        | 15 |
| 23. INFORMATIONEN .....                   | 16 |

**WARNUNG! DIE GARANTIE WIRD NICHTIG, FALLS DAS GEHÄUSE DES GERÄTS GEÖFFNET ODER DAS ORIGINALGERÄT MODIFIZIERT ODER VERÄNDERT WURDE**

## WICHTIGE SICHERHEITSVORKEHRUNGEN

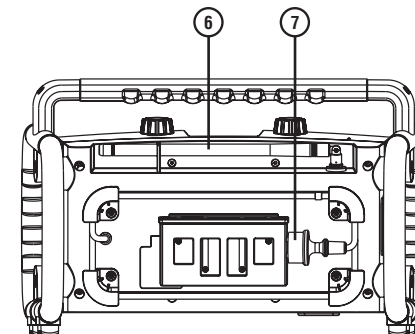
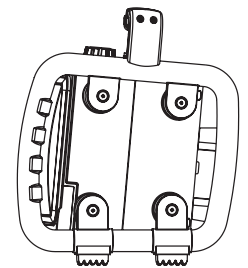
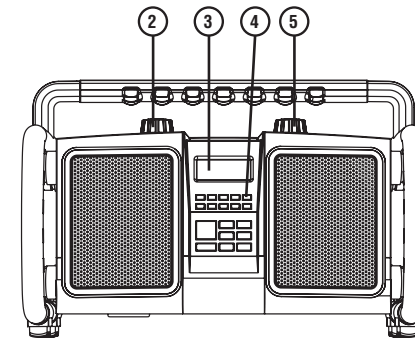
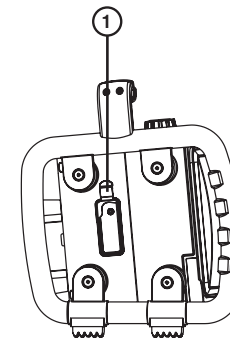
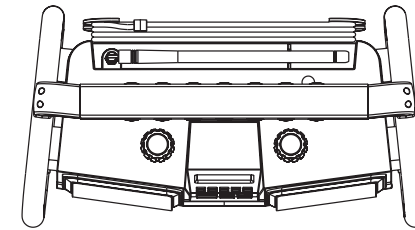
1. Lesen Sie alle Anleitungen durch.
2. Bewahren Sie diese Anleitungen auf.
3. Beachten Sie alle Warnungen.
4. Befolgen Sie alle Anleitungen.
5. Nur mit einem trockenen Lappen reinigen.
6. Die Belüftungsöffnungen dürfen nicht blockiert werden. Nehmen Sie die Installation gemäß den Anleitungen vor.
7. Installieren Sie das Gerät nicht in der Nähe von Wärmequellen wie Heizkörpern, Wärmespeichern, Öfen oder anderen wärmeerzeugenden Geräten (einschließlich Verstärker).
8. Versuchen Sie nicht, die Schutzvorrichtung des gepolten Steckers oder des Schukosteckers zu umgehen. Ein gepolter Stecker verfügt über zwei Kontakte unterschiedlicher Breite. Ein Schukostecker verfügt über zwei Kontaktstifte und einen Schutzkontakt. Der breitere Kontakt bzw. der Schutzkontakt sind Sicherheitsvorrichtungen. Falls der mitgelieferte Stecker nicht in Ihre Steckdose passt, lassen Sie diesen von einem Elektriker austauschen.
9. Verlegen Sie das Netzkabel so, dass niemand darüber stolpern oder es eingequetscht werden kann, insbesondere am Stecker, an Mehrfachsteckdosen und am Austritt vom Gerät.
10. Verwenden Sie nur vom Hersteller mitgeliefertes Zubehör.
11. Verwenden Sie das Gerät nur mit dem Wagen, Gestell, Stativ, Bügel oder Tisch, der vom Hersteller empfohlen bzw. mit diesem Gerät zusammen verkauft wurde. Falls Sie einen Wagen verwenden, dürfen der Wagen und das Gerät zusammen nur sehr vorsichtig umgestellt werden, um Verletzungen durch Umkippen zu vermeiden.
12. Trennen Sie das Gerät während Gewittern und längeren Zeiten des Nichtgebrauchs vom Netzstrom.
13. Lassen Sie Wartungsarbeiten nur von qualifizierten Fachkräften durchführen. Reparaturen sind bei Schäden am Gerät erforderlich, z.B. wenn das Netzkabel oder der Stecker beschädigt wurden, Flüssigkeiten oder Gegenstände in das Gerät eingedrungen sind, das Gerät Regen oder Feuchtigkeit ausgesetzt war, nicht ordnungsgemäß funktioniert oder heruntergefallen ist.
14. Schützen Sie das Gerät vor Regen und Feuchtigkeit, um die Gefahr eines Feuers oder Stromschlags zu vermeiden.
15. Abdeckung nicht entfernen. Es befinden sich keine vom Benutzer zu wartenden Teile im Inneren.
16. Stellen Sie kein offenes Feuer auf das Gerät.
17. Bei Nutzung im Freien: Falls das Gerät Regen oder Wasser ausgesetzt war, müssen Sie das Netzkabel und den Netzstecker vor dem nächsten Anschluss an eine Steckdose vollständig trocknen lassen, um die Gefahr eines Stromschlags zu vermeiden.
18. Schließen Sie den Netzstecker an eine Steckdose an, die leicht zugänglich ist und sich in der Nähe des Geräts befindet. So wird gewährleistet, dass Sie im Notfall einfach nur den Stecker aus der Steckdose ziehen müssen, um das Gerät vom Netzstrom zu trennen.
19. Das Typenschild befindet sich an der Unterseite des Geräts.
20. Dieses Gerät ist spritzwassergeschützt (IPX4).
21. Falls das Gerät aufgrund elektrostatischer Entladung oder schneller Stoßspannung nicht mehr richtig funktioniert, ziehen Sie den Netzstecker und schließen das Gerät dann erneut an.



VORSICHT  
STROMSCHLAGEGFAHR  
NICHT ÖFFNEN

## GERÄTEÜBERSICHT

1. AUX-Eingang
2. Lautstärkereglern
3. LCD-Display
4. Gummierte Tasten
5. Tuner
6. Antenne
7. Netzkabel



D

## STROMVERSORGUNG

### Netzbetrieb (AC)

1. Schließen Sie das Netzkabel (AC) nur an eine Steckdose (AC) mit geeigneter Spannungsversorgung an.
2. Der Stauraum für Netzkabel und Stecker bietet Platz für deren Aufbewahrung, wenn Sie das Radio nicht verwenden.

#### Hinweis:

Um das Gerät vollständig von der Netzstromversorgung zu trennen, muss der Netzstecker ganz aus der Steckdose gezogen werden. Der Netzstecker muss immer betriebsbereit sein und darf während des bestimmungsgemäßen Gebrauchs nicht blockiert werden.

Falls das Gerät aufgrund elektrostatischer Entladung oder schneller Stoßspannung nicht mehr ordnungsgemäß funktioniert, trennen Sie das Gerät vom Netz und entnehmen Sie alle Batterien. Legen Sie dann die Batterien erneut ein und schließen Sie das Gerät wieder ans Netz an.

## ALLGEMEINE FUNKTIONEN

- 1. Ein- und ausschalten**  
Drücken Sie die **Ein-/Ausschalttaste**, um das Gerät ein- oder in Standby umzuschalten.
- 2. DAB / UKW / AUX-IN einschalten**  
Mit der Taste **SOURCE** schalten Sie zwischen den einzelnen Modi um.
- 3. Radiosender einstellen**  
Mit dem **TUNING**-Regler rechts am Gerät stellen Sie Radiosender ein.
- 4. Lautstärke einstellen**  
Stellen Sie die Lautstärke mit dem **VOLUME Lautstärkeregl**er links am Gerät ein.
- 5. Voreingestellten Equalizer auswählen**  
Drücken Sie wiederholt die Taste **EQUALIZER**, um den gewünschten Equalizer einzustellen.
- 6. Stereo oder Mono einschalten (nur im UKW-Modus)**  
Drücken Sie die Taste **MONO/STEREO**, um zwischen UKW Mono oder UKW Stereo umzuschalten.
- 7. AUX-EINGANG anschließen**  
Schließen Sie den Audioausgang eines externen Audiogeräts an den Ø3,5 mm AUX-IN-Port an und starten Sie die Wiedergabe am externen Gerät.
- 8. Diebstahlsicherung (ATP)**  
Geben Sie mit den Speichertasten (1-10) das 4-stellige Passwort ein.

## ERSTMALIGER GEBRAUCH DES RADIOS

1. Stellen Sie das Radio auf einen flachen Untergrund.
2. Ziehen Sie die Antenne oben am Gerät vorsichtig aus. Richten Sie die Antenne vertikal über dem Radio aus.
3. Schließen Sie das Netzkabel an eine Steckdose (AC) an. Das Radio wird eingeschaltet und im Display erscheint einige Sekunden lang die Anzeige „WELCOME TO DIGITAL RADIO“. Das Radio sucht dann automatisch nach Sendern der Band III DAB und UKW Frequenzbänder. Die Anzeige „Scanning“ erscheint im DAB-Modus und „Auto“ im UKW-Modus.
4. Nach dem Scan werden die 10 stärksten DAB- und UKW-Radiosender als Favorit gespeichert. Das Radio schaltet in den Standby-Modus um und im Display erscheint die aktualisierte Uhrzeit- und Datumsanzeige.
5. Werden keine Signale gefunden, wird die Uhrzeit nicht aktualisiert. Stellen Sie das Radio gegebenenfalls an einen anderen Ort mit besserem Empfang.

## DAB-MODUS (DAB – DAB+)

### Radiobetrieb – DAB

1. Ziehen Sie die Antenne vorsichtig aus. Drücken Sie die **Ein-/Ausschalttaste**, um das Radio einzuschalten.
2. Stellen Sie mit der Taste **SOURCE** das DAB ein.
3. Der erste gefundene Sender der Senderliste wird wiedergegeben. Im Display erscheint der Sendername. Falls Sie das Radio bereits früher verwendet haben, schaltet das Gerät den zuletzt angehörten Sender ein.
4. Werden keine DAB-Signale empfangen, erscheint im Display die Anzeige „No stations available“. Stellen Sie das Gerät gegebenenfalls an einen anderen Ort mit besserem Empfang. Führen Sie dann eine automatische Sendersuche durch, siehe Abschnitt **„Neue Sender auffinden - DAB“**.

### Sender einstellen – DAB

1. Drücken Sie die **Ein-/Ausschalttaste**, um das Radio einzuschalten. Im Display erscheinen einige Sekunden lang die Anzeigen „Connecting“ und „Playing“.
2. Im Display wird der Name des aktuellen Senders angezeigt.
3. Drehen Sie den **TUNING**-Regler, um durch die Liste der verfügbaren Sender zu scrollen.
4. Sobald der gewünschte Sender im Display erscheint, drücken Sie den **TUNING**-Regler, um den Sender wiederzugeben.

Hinweis: Falls nach der Auswahl eines Senders im Display die Anzeige „No stations available“ erscheint, ist es eventuell erforderlich, das Radio an einen anderen Ort mit besserem Empfang zu stellen.

## Anzeigeoptionen – DAB

Im DAB-Modus kann das Radio eine Vielzahl von Informationen anzeigen. Drücken Sie die Taste **INFO**, um durch die unterschiedlichen Anzeigeoptionen zu scrollen.

- |                          |   |
|--------------------------|---|
| a. Lauftext              | Anzeige von Lauftexten, z.B. Senderinfos, Interpret/ Titelname, Hotline, usw.   |
| b. Signalstärke          | Anzeige der aktuellen Signalstärke. Das leere Rechteck weist auf die Mindestsignalstärke hin, die für einen zufriedenstellenden Empfang erforderlich ist. |
| c. Programmtyp           | Anzeige des aktuellen Sendertyps, z.B. Pop, Klassik, Nachrichten, usw.  |
| d. Multiplex-Name        | Anzeige des Multiplex-Namens, zu dem der aktuelle Sender gehört.  |
| e. Sender & Frequenz     | Anzeige der Sendernummer und Frequenz des aktuell eingestellten DAB-Senders.  |
| f. Bitrate & Audioformat | Anzeige von digitaler Audio-Bitrate und Audioformat.  |
| g. Uhrzeit & Datum       | Anzeige von aktueller Uhrzeit und Datum.  |

## Neue Sender auffinden – DAB

Von Zeit zu Zeit wird es neue Sender geben. Suchen Sie Sender wie folgt:

1. Drücken Sie im DAB-Modus die Taste **MENU**. Im Display erscheint die Anzeige „Full scan“.
2. Drücken Sie **TUNING**. Das Radio führt einen Scan aller Band III DAB-Kanäle durch. Wenn neue Sender gefunden werden, erhöht sich der Zähleranzeige rechts im Display und die neuen gefunden Sender werden der Senderliste des Radios hinzugefügt.

## Manuelle Sendersuche – DAB

Alternativ haben Sie die Möglichkeit, manuell nach Sendern zu suchen. Anstatt das gesamte Band III automatisch zu scannen, können Sie einen Ihnen bekannten DAB-Sender direkt einstellen und alle mit diesem Sender verfügbaren Multiplex-Namen in der Senderliste speichern.

1. Drücken Sie im DAB-Modus die Taste **MENU** und drehen Sie den **TUNING**-Regler, bis im Display die Anzeige „Manual Tuning“ erscheint. Drücken Sie dann **TUNING**. Im Display werden der DAB-Sender und die Frequenz angezeigt.
2. Drehen Sie den **TUNING**-Regler, um den gewünschten Kanal oder die Frequenz zu suchen. Drücken Sie **TUNING**, um den ausgewählten Kanal einzuschalten.
3. Wenn auf dem eingestellten Kanal ein DAB-Sender verfügbar ist, wird dessen Name im Display angezeigt. Alle neu gefundenen Sender werden der Senderliste des Radios hinzugefügt.

4. Die im Display angezeigte Signalstärke spiegelt die Empfangsqualität des Senders wider. Das leere Rechteck weist auf die Mindestsignalstärke hin, die für einen zufriedenstellenden Empfang erforderlich ist. Wenn Sie die Antenne ausrichten oder das Radio umstellen, verändert sich die Signalanzeige mit der Signalstärke.
5. Wiederholen Sie die Schritte 1 bis 4, um weitere Kanäle zu suchen.
6. Drücken Sie die Taste **MENU** zweimal, um die manuelle Sendersuche zu beenden und zum normalen DAB-Betrieb zurückzukehren.

## Dynamikbereich-Einstellungen (DRC) – DAB

Die Einstellung des Dynamikbereichs kann leise Töne besser hörbar machen, wenn Sie das Radio in einer lauten Umgebung benutzen.

1. Drücken Sie im DAB-Modus die Taste **MENU** und drehen Sie den **TUNING**-Regler, bis im Display die Anzeige „DRC Value“ erscheint. Drücken Sie dann auf **TUNING**.
2. Drehen Sie den **TUNING**-Regler, um die gewünschte DRC-Einstellung auszuwählen (AUS ist die Standardeinstellung).
  - DRC off DRC ist deaktiviert, übertragene DRC-Einstellung wird ignoriert.
  - DRC high DRC ist aktiviert und entspricht der Einstellung der Sendung.
  - DRC low DRC beträgt 1/2 der Einstellung der Sendung.
3. Drücken Sie **TUNING**, um Ihre Einstellungen zu bestätigen. Das Display kehrt zur normalen Anzeige zurück.

**Hinweis:** Nicht alle DAB-Sendungen unterstützen die DRC-Funktion. Bei Sendungen, die DRC nicht unterstützen, sind die DRC-Einstellungen des Radios ohne Effekt.

## Sender löschen – DAB

Falls Sie umziehen, werden einige der Sender in der Liste möglicherweise nicht mehr empfangen. Einige DAB-Dienste werden im Laufe der Zeit auch aufgegeben oder ändern ihren Standort oder ihre Frequenz. Zum Entfernen solcher DAB-Sender von der Senderliste können Sie diese DAB-Sender löschen.

1. Drücken Sie im DAB-Modus die Taste **MENU**.
2. Drehen Sie **TUNING**, bis im Display „Prune“ erscheint.
3. Drücken Sie **TUNING**, um die Einstellung zu öffnen.
4. Drehen Sie **TUNING** zur Auswahl von „Yes“ oder „No“ (No ist Standardeinstellung). Wählen Sie „Yes“, um diese Funktion zu aktivieren, oder wählen Sie anderenfalls „No“.
5. Drücken Sie **TUNING** zum Bestätigen Ihrer Einstellung. Das Display kehrt zum letzten Menü zurück. Drücken Sie **MENU**, um zur normalen Radioanzeige zurückzukehren.

**Hinweis:** Wenn Sie Ihr Radio an einem anderen Standort verwenden, sollten Sie eine neue Suche nach Radiosendern durchführen (siehe Abschnitt „Neue Sender auffinden – DAB“).

## UKW-MODUS

### Radiobetrieb – Sendersuche UKW

1. Schalten Sie das Radio mit der **Ein-/Ausschalttaste** ein.
2. Stellen Sie mit der Taste **SOURCE** das **UKW**-Frequenzband ein.
3. Schalten Sie den UKW-Modus zum ersten Mal ein, wird der voreingestellte Sender auf Speicherplatz 1 abgespielt. Wurde das Radio bereits früher benutzt, wird der zuletzt angehörte Sender eingeschaltet.
4. Drücken Sie **TUNING**, um die Sendersuche zu starten. Die Suche wird automatisch unterbrochen, sobald das Radio einen Sender mit ausreichender Signalstärke gefunden hat.
5. Nach einigen Sekunden wird das Display aktualisiert. Liegen RDS-Daten vor, wird der Sendername angezeigt.
6. Drücken Sie **TUNING** erneut, um weitere Sender zu suchen.
7. Um Sender in entgegengesetzter Richtung zu suchen, drehen Sie den **TUNING**-Regler rechts herum (um von den niedrigen zu den hohen Frequenzen zu suchen) oder links herum (um von den hohen zu den niedrigen Frequenzen zu suchen) und drücken Sie dann **TUNING**.
8. Am Ende des Wellenbands setzt das Radio die Suche am anderen Ende des Wellenbands fort.

### Manuelle Sendersuche – UKW

1. Schalten Sie das Radio mit der **Ein-/Ausschalttaste** ein.
2. Stellen Sie mit der Taste **SOURCE** den UKW-Modus ein.
3. Drehen Sie **TUNING**, um einen UKW-Sender einzustellen. Die Frequenz ändert sich in Schritten von 50 kHz.
4. Drehen Sie die Gummiantenne für einen optimalen Empfang. Falls das Radio einen Sender mit ausreichender Signalstärke und mit verfügbaren RDS-Daten empfängt, dann erscheint im Display der Sendername.
5. Am Ende des Wellenbands setzt das Radio die Suche am anderen Ende des Wellenbands fort.

### RDS-Optionen – UKW

RDS (Radio Data System) ist ein System, bei dem nicht hörbare digitale Informationen zusätzlich zum normalen UKW-Radioprogramm übertragen werden. Falls das Radio einen RDS-Sender mit ausreichender Signalstärke empfängt, erscheint der Sendername im Display. Es kann einige Zeit dauern, bis die RDS-Daten übertragen werden.

### RDS-Daten aufrufen

Drücken Sie, wenn Sie einen UKW-Sender mit RDS-Daten anhören, wiederholt die Taste **INFO**, um durch die Daten zu scrollen. Dies funktioniert nur, wenn das Signal stark genug und klar ist.

- |                      |   |
|----------------------|---|
| a. Sendername (PS)   | Anzeige des Namens des aktuell eingestellten Senders.                     |
| b. Radiotext (RT)    | Anzeige der Nachricht über den aktuell eingestellten Sender als Lauftext. |
| c. Programmtyp (PTY) | Anzeige des jeweiligen Sendertyps, z.B. Pop, Klassik, Nachrichten, usw.   |
| d. Frequenz          | Anzeige der Frequenz des aktuell eingestellten Senders.                   |
| e. Stereo oder Mono  | Anzeige von Mono oder Stereo.   |
| f. Signalstärke      | Anzeige der Signalstärke.   |
| g. Uhrzeit & Datum   | Anzeige von Uhrzeit (24-Stundenformat) und Datum.                         |

### Empfindlichkeit der Sendersuche – UKW

Das Radio sucht normalerweise alle UKW-Sender einschließlich solcher mit schwächerem Signal. Sie können die automatische Sendersuche jedoch auch benutzen, um nur Sender zu finden, deren Signal stark genug für einen guten Empfang ist.

1. Schalten Sie das Radio mit der **Ein-/Ausschalttaste** ein.
2. Stellen Sie mit der Taste **SOURCE** den UKW-Modus ein.
3. Drücken Sie **MENU**. Im Display erscheint „Scan setting“.
4. Drücken Sie **TUNING**.
5. Drehen Sie **TUNING** zur Auswahl von „All stations“ oder „Strong station“ („All stations“ ist die Standardeinstellung). Mit der Option „Strong station“ sucht das Radio nur nach Sendern mit starkem Signal.
6. Drücken Sie **TUNING** zur Bestätigung Ihrer Einstellungen. Das Display kehrt zur normalen Radioanzeige zurück.

### UKW Stereo / Mono

1. Bei schwachem Empfang eines UKW-Radiosenders ist möglicherweise ein Rauschen zu hören. Reduzieren Sie das Rauschen, indem Sie mit der Taste **Mono/Stereo** in den Mono-Modus umschalten. Im Display erscheint die Anzeige „Mono“.
2. Drücken Sie die Taste Mono/Stereo erneut, um wieder den Stereo-Modus einzuschalten. Im Display erscheint die Anzeige „Stereo“. Bei gutem Empfang schaltet das Radio automatisch in den Stereo-Modus um.
3. Im LCD-Display können Sie die Anzeigen „Mono“ und „Stereo“ aufrufen (siehe oben „RDS-Daten aufrufen“).

## LIEBLINGSENDER

### Sender als Favorit speichern

Sie können bis zu 20 Radiosender speichern – 10 DAB-Sender und 10 UKW-Sender. Die Speichereinstellungen werden auch bei einem Stromausfall beibehalten.

1. Schalten Sie das Radio mit der **Ein-/Ausschalttaste** ein.
2. Stellen Sie mit **SOURCE** das gewünschte Wellenband ein.
3. Stellen Sie den gewünschten Radiosender ein.

- Halten Sie die entsprechende **Speichertaste** (1-10) gedrückt, bis das Radio einmal piept und im Display die Anzeige „Saved“ erscheint.
- Wiederholen Sie die Schritte 3 und 4 für weitere Sender.
- Bereits gespeicherte Sender können durch Befolgen obiger Vorgehensweise überschrieben werden.

### Gespeicherte Radiosender einschalten

- Schalten Sie das Radio mit der **Ein-/Ausschalttaste** ein.
- Stellen Sie mit **SOURCE** das gewünschte Wellenband ein.
- Drücken Sie kurz die gewünschte **Speichertaste (1-10)**. Im UKW-Modus erscheint z.B. oben rechts im Display die Anzeige „P1“.

## AUX-IN-MODUS

Unter der Gummiabdeckung an der Seite des Geräts befindet sich ein 3,5 mm Aux-In Stereoeingang, an den externe Audiogeräte wie z.B. MP3-Spieler oder CD-Spieler angeschlossen werden können (Aux-Kabel nicht im Lieferumfang enthalten).

- Schließen Sie ein Audiogerät an den Aux-Eingang an.
- Schalten Sie mit **SOURCE** den AUX-In-Modus ein. Im Display erscheint „AUX IN“.
- Starten Sie die Wiedergabe am externen Gerät.
- Stellen Sie sowohl am Radio als auch am externen Gerät die **Lautstärke** entsprechend ein.
- Schließen Sie nach dem Gebrauch die Gummiabdeckung, damit weder Feuchtigkeit noch Staub in die Anschlüsse oder das Radio eindringen können.

Hinweise: Verwenden Sie den Aux-Eingang nicht bei Regen oder unter feuchten Bedingungen, damit keine Feuchtigkeit in das Radio eindringen kann. Halten Sie die Gummiabdeckung unter solchen Bedingungen gut verschlossen.

Im AUX-Modus wird der automatische Stromsparmmodus aktiviert. Erfolgt am Aux-Eingang innerhalb von 15 Minuten keine Signaleingabe\*, schaltet das Radio automatisch den Standby-Modus ein. Drücken Sie die **Ein-/Ausschalttaste**, um das Gerät wieder einzuschalten.

\* Der Standby-Modus wird auch dann aktiviert, wenn das eingehende Signal vom externen Gerät zu schwach ist und vom Stromsparmmodus über einen Zeitraum von 15 Minuten nicht erkannt wird.

Um dies zu verhindern, erhöhen Sie den Ausgangspegel des externen Geräts entsprechend, um erkannt zu werden.

## UHRZEIT MANUELL EINSTELLEN

Die Uhrzeit lässt sich nur einstellen, wenn sich das Radio im Standby-Modus befindet. Wenn Sie innerhalb von 5 Sekunden keine Taste drücken, verlässt das Radio die Uhrzeiteinstellung und Ihre Einstellungen werden gelöscht.

- Halten Sie **TIME SET** 12 Sekunden lang gedrückt, bis die Stundenanzeige im Display blinkt.
- Drehen Sie **TIME SET** zur Einstellung der Stunden.
- Drücken Sie **TIME SET** zum Bestätigen. Die Minutenanzeige beginnt zu blinken.
- Drehen Sie **TIME SET** zur Einstellung der Minuten.
- Drücken Sie **TIME SET** zum Bestätigen. Die Tagesanzeige beginnt zu blinken.
- Drehen Sie **TIME SET** zur Einstellung des Datums.
- Drücken Sie **TIME SET** zur Bestätigung. Die Monatsanzeige beginnt zu blinken.
- Drehen Sie **TIME SET** zur Einstellung des Monats.
- Drücken Sie **TIME SET** zum Bestätigen. Die Jahresanzeige beginnt zu blinken.
- Drehen Sie **TIME SET** zur Einstellung des Jahres.
- Drücken Sie **TIME SET** zum Bestätigen. Im Display blinkt die Anzeige „SYNCLOCK ON“.
- Drehen Sie **TIME SET** zur Auswahl von „SYNCLOCK ON“ oder „SYNCLOCK OFF“.
- Drücken Sie **TIME SET**, um Ihre Auswahl zu bestätigen und um die Uhrzeiteinstellung zu beenden.

### Automatische Synchronisation der Uhrzeit

Wenn die Option „Synclock on“ ausgewählt wurde, kann die Uhrzeit jedes Mal beim Einschalten des Radios eingestellt und aktualisiert werden. Die Uhrzeit wird anhand des zuletzt eingeschalteten DAB- oder UKW-Radiosenders synchronisiert.

Falls die Uhrzeit aufgrund eines Stromausfalls (oder nach einer „Rückstellung des Systems“) angehalten oder zurückgesetzt wird, wird sie anhand des zuletzt eingeschalteten DAB- oder UKW-Radiosenders wieder automatisch eingestellt und aktualisiert. Dies geschieht unabhängig davon, ob die Option „Synclock“ ein- oder ausgeschaltet ist.

Die automatische Uhrzeiteinstellung oder Synchronisation der Zeit kann einige Minuten dauern, je nachdem wie gut der Empfang des Radiosenders ist. Falls die Uhrzeit nach 10 bis 15 Minuten nicht aktualisiert wurde, ist es möglicherweise erforderlich, das Radio an einen anderen Ort mit besserem Empfang zu stellen.

## LAUTSTÄRKE & TON

Stellen Sie die Lautstärke durch Drehen des **VOLUME** Lautstärkereglers ein, wenn das Radio eingeschaltet ist. Im Display wird die aktuelle Lautstärkeeinstellung (von 00 bis höchstens 40) angezeigt.

### 2-Wege Lautsprecher

Das **ROCKBULL** Radio verfügt für jeden Kanal über 2-Wege Lautsprecher. Der Woofer in jedem Kanal erzeugt die niedrigeren Frequenzen und der Tweeter in jedem Kanal erzeugt die hohen Frequenzen. 2-Wege Lautsprecher können einen dynamischen und leistungsstarken Sound erzeugen und dabei Töne präzise und klar wiedergeben.

## LAUTHEIT

Die **Lautheit**-Funktion ermöglicht die Kompensation auf niedrigen und hohen Frequenzen.

Der Effekt ist besser hörbar, wenn am Radio eine niedrigere Lautstärke (dynamische Lautheit) eingestellt ist.

1. Schalten Sie das Radio mit der **Ein-/Ausschalttaste** ein.
2. Drücken Sie wiederholt die Taste **LOUDNESS** zur Auswahl von „Loudness on“ oder „Loudness off“.
3. Nach 3 Sekunden kehrt das Gerät zur normalen Anzeige zurück und setzt die Wiedergabe fort.

## SURROUND SOUND

Dank des digitalen Signalprozessors zur Regulierung des Audioausgangssignals ist das **ROCKBULL** Radio in der Lage, einen virtuellen digitalen Surround Sound mit voller Wiedergabequalität und einem weiträumigen und perspektivischen Klangfeld zu erzeugen.

1. Schalten Sie das Radio mit der **Ein-/Ausschalttaste** ein.
2. Stellen Sie mit **SOURCE** den DAB- oder AUX-IN-Modus ein.
3. Drücken Sie wiederholt die Taste **SURROUND** zur Auswahl von „Surround on“ oder „Surround off“.
4. Nach 3 Sekunden kehrt das Gerät zur normalen Anzeige zurück und setzt die Wiedergabe fort.

Der Surround Sound Effekt hängt stark von der Art der Musik ab. Die besten Ergebnisse lassen sich normalerweise mit „Unterhaltungsmusik“ erzielen. „Laute und schwerfällige“ Musik kann oft einen „offenen Sound“ oder sogar Verzerrungen verursachen. Darüber hinaus spielen natürlich auch die Lautstärke und mögliche Equalizer-Einstellungen eine Rolle.

Am besten ist der Surround Sound Effekt in großen Räumen mit reflektierenden Wänden und bei einigen Metern Abstand zum Radio. Wenn Sie sich zu nah am Radio befinden und Musik hören, ist der Surround Sound Effekt nicht so optimal.

Hinweis: Surround Sound ist nicht im UKW-Modus verfügbar.

## EQUALIZER

Die **EQUALIZER**-Funktion bietet 12 Einstellungen zur Auswahl. Jeder der einzelnen Equalizer verfügt im digitalen Audioprozessor über eine Gruppe parametrischer Filter, die optimierte Einstellungen für unterschiedliche Musik und Anwendungen für unterschiedliche Umgebungen zulassen.

1. Schalten Sie das Radio mit der **Ein-/Ausschalttaste** ein.

2. Drücken Sie wiederholt die Taste **EQUALIZER** zur Auswahl der gewünschten Equalizer-Einstellung. Die im Display angezeigte Einstellung wird sofort übernommen:

**EQ1 Neutral**  
**EQ2 Indoor**  
**EQ3 Outdoor**  
**EQ4 Flat**  
**EQ5 Rock**  
**EQ6 Soul und Jazz**  
**EQ7 Klassik**  
**EQ8 Akustik**  
**EQ9 Dance**  
**EQ10 Gesprochenes Wort**  
**EQ11 Kleiner Raum**  
**EQ12 Tiefe Nacht**

3. Nach 3 Sekunden kehrt das Gerät zur normalen Anzeige zurück und setzt die Wiedergabe fort.

## ZUSÄTZLICHE TELESKOPANTENNE

Verwenden Sie diese Antenne an Orten oder in Gegenden mit schwachem oder sehr schwachem Radioempfang (UKW/DAB/DAB+).

**ACHTUNG: Die Standardantenne des Radios ist flexibel. Die Teleskopantenne ist nicht flexibel und lässt sich nicht knicken und sollte daher vorsichtig verwendet werden. Gebrochene oder geknickte Antennen fallen nicht unter die Garantie.**

Installation: Schrauben Sie die flexible Standardantenne vorsichtig ab. Lockern Sie die Antenne zunächst vorsichtig mit einem Maulschlüssel (Größe 14) – links herum drehen. Schrauben Sie die Teleskopantenne an und ziehen diese vorsichtig mit einem Maulschlüssel (Größe 14) fest – rechts herum drehen.

**ACHTUNG: Wenden Sie beim Anschluss der Antennen nicht zu viel Kraft an, um nicht das Gewinde der Antenne zu beschädigen oder die Antenne abzubrechen.**

## SPRACHEINSTELLUNGEN

Sie haben die Möglichkeit, unterschiedliche Menüsprachen für das Radio einzustellen.

1. Schalten Sie das Radio mit der **Ein-/Ausschalttaste** ein.
2. Drücken Sie **MENU** und drehen Sie dann **TUNING**, bis im Display die Anzeige „System“ erscheint.
3. Drücken Sie **TUNING**. Drehen Sie **TUNING**, bis im Display die Anzeige „Language“ erscheint.
4. Drücken Sie **TUNING** zum Öffnen des Sprachenmenüs.
5. Drehen Sie **TUNING** zur Auswahl der gewünschten Sprache (Englisch ist die Standardeinstellung).



6. Drücken Sie TUNING zum Bestätigen.
7. Das Menü wird nun in der ausgewählten Sprache angezeigt.

## SOFTWARE-VERSION

Die Anzeige der Software-Version kann nicht geändert werden und dient nur Ihrer Information. Die Software-Version lässt sich nur in den Modi DAB und UKW anzeigen.

1. Schalten Sie das Radio mit der **Ein-/Ausschalttaste** ein.
2. Schalten Sie mit **SOURCE** den UKW- oder DAB-Modus ein.
3. Drücken Sie **MENU** und drehen Sie den **TUNING**-Regler, bis im Display „System“ angezeigt wird.
4. Drücken Sie **TUNING**. Drehen Sie **TUNING**, bis im Display die Anzeige „SW version“ erscheint.
5. Drücken Sie **TUNING**, um die Software-Version anzuzeigen.
6. Drücken Sie **MENU**, um zur normalen Radioanzeige zu gelangen.

## SYSTEMRÜCKSTELLUNG

Falls Ihr Radio nicht ordnungsgemäß funktioniert oder Anzeigen im Display fehlen bzw. unvollständig sind, führen Sie bitte wie folgt eine Rückstellung durch.

1. Schalten Sie das Radio mit der **Ein-/Ausschalttaste** ein.
2. Drücken Sie die Taste **MENU**.
3. Drehen Sie **TUNING**, bis im Display die Anzeige „System“ erscheint. Drücken Sie dann **TUNING**.
4. Drehen Sie **TUNING**, bis im Display die Anzeige „Factory reset“ erscheint. Drücken Sie dann **TUNING**.
5. Drehen Sie **TUNING** zur Auswahl von „Yes“ oder „No“. Wählen Sie „Yes“ für die Rückstellung oder „No“, falls Sie das System nicht zurückstellen möchten.
6. Drücken Sie **TUNING** zum Bestätigen Ihrer Auswahl.
7. Das System führt eine vollständige Rückstellung durch. Alle Favoriteneinstellungen und die Senderliste werden gelöscht. Alle Einstellungen werden auf die Werkseinstellungen zurückgesetzt. Das Radio wird eingeschaltet und im Display erscheint einige Sekunden lang die Anzeige „WELCOME TO DIGITAL RADIO“. Das Radio führt dann automatisch einen Scan nach Band III DAB-Kanälen und UKW-Sendern durch. Im Display erscheint die Anzeige „Scanning“ für DAB-Kanäle und „Auto“ für UKW-Sender.
8. Nach dem Scan werden die 10 stärksten UKW-Sender als Favorit gespeichert. Das Radio schaltet in den Standby-Modus um und im Display erscheint die aktualisierte Uhrzeit- und Datumsanzeige.

Bei Fehlfunktion aufgrund elektrostatischer Entladung führen Sie eine Rückstellung wie oben beschrieben durch, um den normalen Betrieb wiederherzustellen. Falls Sie die Rückstellung wie oben beschrieben nicht durchführen können, ziehen Sie den Netzstecker und schließen ihn dann erneut an.

## HINTERGRUNDBELEUCHTUNG

Drücken Sie während des Betriebs oder im Standby-Modus eine beliebige Taste, um das LCD-Display für ungefähr 10 Sekunden lang zu beleuchten.

## PASSWORT

Dieses Radio verfügt über eine Diebstahlsicherung (ATP). Ist ATP aktiviert, müssen Sie zum Einschalten des Radios ein Passwort eingeben.

1. Schalten Sie das Radio mit der **Ein-/Ausschalttaste** ein.
2. Drücken Sie die Taste **MENU**.
3. Drehen Sie **TUNING**, bis im Display die Anzeige „System“ erscheint. Drücken Sie dann **TUNING**.
4. Drehen Sie **TUNING**, bis im Display die Anzeige „Passcode“ erscheint. Drücken Sie dann **TUNING**. Im Display erscheint „Enable“ oder „Disable“. Um ATP zu aktivieren, drehen und drücken Sie **TUNING** zur Auswahl von „Enable“.
5. Im Display erscheint die Anzeige „Change Passcode“. Geben Sie mit den Speichertasten (1-10) ein 4-stelliges Passwort ein.
6. Im Display erscheint „Confirm Passcode“. Geben Sie das Passwort zur Bestätigung ein zweites Mal ein.
7. Um ATP zu deaktivieren, wählen Sie in der vorherigen Anzeige „Disable“ und geben dann das alte Passwort ein, um die Funktion aufzuheben.

Falls bei aktivierter ATP-Funktion dreimal ein falsches Passwort eingegeben wird, startet ein Timer. Der nächste Eingabeversuch ist erst nach Ablauf des Timers möglich. Mit jeder weiteren falschen Eingabe des Passworts erhöht sich der Timer.

**WARNUNG: Falls Sie die Passwortfunktion aktivieren, sollten Sie das Passwort an einem sicheren Ort aufbewahren, wie z.B. auf einem Speicherstick. Wir empfehlen Ihnen diese Maßnahme dringend, denn das Radio lässt sich bei Passwortverlust nicht mehr zurücksetzen!**

## GARANTIE

Dieses Gerät kommt mit einer 2-jährigen eingeschränkten Garantie.

**WARNUNG! Die Garantie wird nichtig, falls die Abdeckung geöffnet und das Gerät modifiziert oder verändert wurde!**

Die Garantie des Radios erstreckt sich nicht auf folgendes:

- Schäden aufgrund falscher Nutzung, Missbrauch, Fahrlässigkeit, Änderungen oder nicht genehmigter Reparaturen.
- Normale(r) Abnutzung und Verschleiß.
- Die Teleskopantenne wurde gebrochen oder geknickt.

## INFORMATIONEN



Dieses Gerät ist gemäß geltenden EU-Richtlinien geräuschgedämpft. Das Produkt entspricht den Europäischen Richtlinien 2006/95/EC, 2005/32/EC und 2004/108/EC.  
Dieses Gerät entspricht der Sicherheitsnorm DIN EN 60065 (VDE 0860) und somit der internationalen Sicherheitsnorm IEC 60065.  
Das Gehäuse des Geräts darf unter keinen Umständen geöffnet werden. Der Hersteller haftet nicht für Schäden aufgrund unsachgemäßer Nutzung.  
Das Typenschild befindet sich an der Unterseite des Geräts.

### Umweltgerechte Entsorgung



Dieses Produkt besteht aus hochwertigen Teilen und Materialien, die wiederverwertet und recycelt werden können.  
Entsorgen Sie das Gerät nicht über den normalen Haushaltsmüll. Geben Sie es an einer Sammelstelle für das Recycling von elektrischen und elektronischen Geräten ab. Dieses Symbol auf dem Gerät, in der Bedienungsanleitung und auf der Verpackung weist auf diese Art der Entsorgung hin.  
Informieren Sie sich auf Ihrer Gemeinde über örtliche Sammelstellen. Recyceln Sie Altgeräte, um die Umwelt zu schützen.

### Technische Daten

#### Stromversorgung

Netzbetrieb:  
AC 230 V ~, 50/60Hz

#### Energieverbrauch

Betrieb: ≤ 85 W  
Standby: ≤ 0,5 W

#### Frequenzbereich

FM 87,5 – 108,0 MHz  
DAB 174,928 – 239,200 MHz

#### Lautsprecher

Woofer 2 x Ø130mm, 4 Ohm  
Tweeter 2 x Ø45mm, 8 Ohm

#### Ausgangsleistung

Nominal 2 x 25W

#### Aux-Eingang

Ø3,5mm

#### Abmessungen & Gewicht

B x H x T: 485 x 306 x 263 mm  
Nettogewicht: 6,6 kg

## INHOUDSOPGAVE

|  |    |
|--|----|
| 1. INHOUDSOPGAVE.....                                | 1  |
| 2. BELANGRIJKE ALGEMENE VEILIGHEIDSINSTRUCTIES ..... | 2  |
| 3. BEDIENINGSELEMENTEN.....                          | 3  |
| 4. VOEDING.....                                      | 4  |
| 5. ALGEMENE FUNCTIES.....                            | 4  |
| 6. DE RADIO VOOR HET EERST GEBRUIKEN .....           | 5  |
| 7. DAB-MODUS.....                                    | 5  |
| 8. FM-MODUS.....                                     | 8  |
| 9. VOORKEURSZENDERS .....                            | 9  |
| 10. AUX-IN-MODUS.....                                | 10 |
| 11. HANDMATIG DE KLOK INSTELLEN .....                | 11 |
| 12. VOLUME & GELUID.....                             | 11 |
| 13. LOUDNESS.....                                    | 12 |
| 14. SURROUND SOUND.....                              | 12 |
| 15. EQUALIZER.....                                   | 12 |
| 16. AANVULLENDE METALEN TELESCOPISCHE ANTENNE .....  | 13 |
| 17. TAALINSTELLING.....                              | 13 |
| 18. SOFTWAREVERSIE.....                              | 14 |
| 19. SYSTEEMRESET.....                                | 14 |
| 20. ACHTERGRONDVERLICHTING.....                      | 14 |
| 21. ATP-WACHTWOORD.....                              | 15 |
| 22. GARANTIE.....                                    | 15 |
| 23. INFORMATIE.....                                  | 16 |

**WAARSCHUWING ! GARANTIE VERVALT ZODRA DE BEHUIZING VAN HET APPARAAT IS GEOPEND OF WANNEER ER VERANDERINGEN AAN HET ORIGINELE APPARAAT ZIJN GEMAAKT**

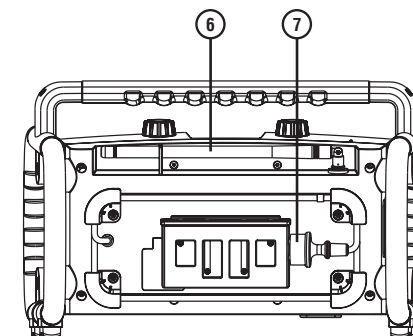
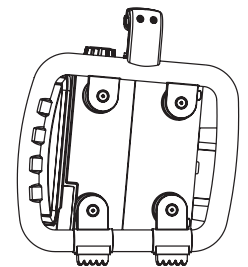
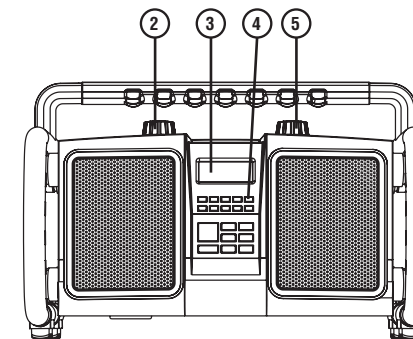
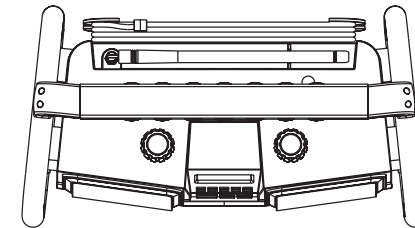
## BELANGRIJKE VEILIGHEIDSINSTRUCTIES

1. Lees deze instructies.
2. Bewaar deze instructies.
3. Neem alle waarschuwingen in acht.
4. Volg alle instructies.
5. Alleen reinigen met een droge doek.
6. Blokkeer de ventilatieopeningen niet. Installeer in overeenstemming met de instructies.
7. Installeer het apparaat niet in de buurt van warmtebronnen, zoals radiatoren, kachels of andere apparatuur (inclusief versterkers) die warmte produceren.
8. Omzeil de veiligheidsdoeleinden van de gepolariseerde of geaarde stekker niet. Een gepolariseerde stekker is uitgerust met twee pinnen, een is breder dan de ander. Een geaarde stekker heeft twee pinnen en een derde aarde pin. De brede pin of de derde pin zijn voor uw veiligheid. Als de geleverde stekker niet in uw stopcontact past, moet u een elektricien raadplegen voor vervanging van het verouderde stopcontact.
9. Voorkom dat er op de elektriciteitskabel wordt gestapt of dat deze wordt geperforeerd, voornamelijk bij de stekkers, stopcontacten en de aansluiting van de kabel op het apparaat.
10. Gebruik alleen hulpstukken / accessoires die zijn gespecificeerd door de fabrikant.
11. Alleen gebruiken met het wagentje, standaard, driepoot, haak of tafel die gespecificeerd is door de fabrikant of verkocht met het apparaat. Beweeg, als er een wagentje wordt gebruikt, het wagentje voorzichtig om verwonding door omvallen te voorkomen.
12. Haal de stekker uit het stopcontact tijdens onweer of wanneer het apparaat gedurende een langere tijd niet gebruikt wordt.
13. Laat alle onderhoud uitvoeren door hiervoor gekwalificeerd personeel. Onderhoud is noodzakelijk wanneer het apparaat op enige manier is beschadigd, zoals aan de elektriciteitskabel of de stekker, er vloeistof of voorwerpen in het apparaat zijn gevallen, het apparaat is blootgesteld aan regen of vocht of als het apparaat gevallen is en niet meer normaal werkt.
14. Stel het apparaat niet bloot aan regen of vocht om het risico van brand of elektrische schok te voorkomen.
15. Verwijder de behuizing niet, er zitten geen door de gebruiker te onderhouden onderdelen in het apparaat.
16. Plaats geen voorwerpen met open vlam op het apparaat.
17. Voor gebruik buitenshuis, om elektrische schokken te voorkomen, als de radio is blootgesteld aan regen of water, dan moeten het netsnoer en de stekker volledig droog zijn voordat u de stekker in een stopcontact steekt.
18. De stekker moet zich in de buurt van het apparaat bevinden en eenvoudig bereikbaar zijn in geval van nood. De stekker moet uit het stopcontact worden gehaald om het apparaat los te koppelen van het lichtnet.
19. Er bevindt zich belangrijke informatie op de onderkant van het apparaat.
20. Dit apparaat is voorzien van bescherming tegen spattend water (IPX4).
21. In geval van storing als gevolg van elektrostatische lading of piekspanning, haal de stekker uit het stopcontact en steek hem daarna terug in het stopcontact.



## BEDIENINGSELEMENTEN

- 1 Aux-in ingang
- 2 Volume draaiknop
- 3 LCD display
- 4 Rubberen toetsen paneel
- 5 Frequentie draaiknop
- 6 Antenne
- 7 Stroomkabel



NL

## VOEDING

### Gebruik met netstroom

1. Zorg er voordat u de stekker in het stopcontact steekt voor dat u controleert of het voltage van het apparaat en het stopcontact overeenkomen.
2. De opbergruimte voor het netsnoer en de stekker is ontworpen om het netsnoer de stekker in radio op te bergen wanneer de radio niet in gebruik is.

#### Opmerking:

Het netsnoer moet, om het apparaat los te koppelen van het lichtnet, volledig uit het stopcontact worden gehaald en de stekker moet bereikbaar blijven tussen het gebruik van de radio.

In geval van storing ten gevolge van electro-statische ontlading of piekspanning, ontkoppel de stroombron en de batterijen en sluit deze daarna weer aan.

## ALGEMENE FUNCTIES

1. **In-/uitschakelen**  
Druk op **On/Off** om de radio aan of standby te zetten.
2. **Schakelen tussen de modi DAB / FM / AUX-IN**  
Druk op **SOURCE** om te schakelen tussen de modi.
3. **De radio afstemmen**  
Stem de radio af met behulp van **TUNING** op de rechterkant van de radio.
4. **Het volume instellen**  
Stel het volume in met behulp van **VOLUME** op de linkerkant van de radio.
5. **De voorgeprogrammeerde equalizermodus instellen**  
Druk herhaaldelijk op **EQUALIZER** om de gewenste eq-modus te selecteren.
6. **De Stereo- of Mono-modus selecteren (alleen in FM-modus)**  
Druk op **MONO/STEREO** om te schakelen tussen FM-Mono en FM-Stereo.
7. **De AUX-IN-functie gebruiken**  
Sluit de audio-uitgang van een extern audioapparaat aan op de Ø3,5mm AUX-INGANG en speel muziek af op het extern apparaat.
8. **Anti-diefstalsysteem (ATP)**  
Druk op de **knoppen van voorkeurszenders** (1-10) om het 4-cijferige wachtwoord in te voeren.

## DE RADIO VOOR HET EERST GEBRUIKEN

1. Plaats de radio op een vlakke ondergrond.
2. Strek de antenne op de bovenkant van de radio voorzichtig uit. Positioneer de antenne zo dat deze verticaal boven de radio uitsteekt.
3. Steek de stekker in het stopcontact. De radio zal opstarten en het display toont voor een paar seconden de boodschap "Welcome To Digital Radio". De radio zal daarna automatisch beginnen met een scan op de Band III DAB-kanalen en de FM-band. Het display toont "Scanning" in de DAB-modus en "Auto" in de FM-modus.
4. Als de scan is voltooid, dan worden de 10 DAB- en FM-zenders met het sterkste signaal opgeslagen als voorkeurszenders. De radio schakelt naar de standbymodus en de bijgewerkte tijd en datum zullen op het display worden weergegeven.
5. Als er geen signalen worden gevonden, dan zal de tijd niet worden bijgewerkt. Het kan in dit geval nodig zijn om de radio te herpositioneren op een plaats met betere ontvangst.

## DAB-MODUS (DAB – DAB+)

### De radio gebruiken – DAB

1. Strek de antenne voorzichtig uit. Druk op **On/Off** om de radio in te schakelen.
2. Selecteer DAB door op **SOURCE** te drukken.
3. De eerste zender uit de lijst met gevonden zenders zal worden afgespeeld. Het display toont de naam van de zender. Als de radio al eerder is gebruikt, dan zal de laatst beluisterde zender worden geselecteerd.
4. Als er geen DAB-signalen zijn gevonden, dan zal de boodschap "No stations available" worden getoond. Het kan in dit geval nodig zijn om de radio te verplaatsen naar een plaats met betere ontvangst. U moet daarna een automatisch scan uitvoeren om zenders te vinden, raadpleeg de paragraaf "**Nieuwe zenders zoeken- DAB**".

### Een zender selecteren– DAB

1. Druk op **On/Off** om de radio in te schakelen. Het display toont voor een paar seconden de boodschap "Connecting" en "Playing".
2. Het display toont de naam van de huidige radiozender.
3. Draai aan **TUNING** om door de lijst met beschikbare zenders te bladeren.
4. Als de naam van de gewenste zender op het display verschijnt, druk dan op **TUNING** om de zender te selecteren.

Opmerking: Als het display na het selecteren van een zender de melding "No stations available" toont, dan kan het nodig zijn de radio te verplaatsen naar een plaats met betere ontvangst.

## Displaymodi – DAB

De radio kan in de DAB-modus verschillende informatie weergeven op het display. Druk op INFO om door de verschillende modi te bladeren.

- |                           |   |
|---------------------------|---|
| a. Tekst                  | Toont bewegende tekstberichten bijv. zenderinformatie, artiest/tracknaam, telefoonnummer, etc.  |
| b. Signaalsterkte         | Toont de signaalsterkte van de radio-ontvangst. De niet-gevulde rechthoeken geven het minimaal benodigde signaalniveau aan voor bevredigende ontvangst. |
| c. Programmatype          | Toont het zendertype van de beluisterde zender bijv. Pop, Classic, Nieuws, etc.   |
| d. Multiplexnaam          | Toont de naam van de multiplex waartoe de huidige zender behoort.   |
| e. Kanaal & frequentie    | Toont het kanaalnummer en de frequentie van de huidige DAB-zender.  |
| f. Bitrate & audioformaat | Toont de digitale audiobitrate en het audioformaat.   |
| g. Tijd & datum           | Toont de huidige tijd en datum.   |

## Nieuwe zenders zoeken – DAB

Er kunnen van tijd tot tijd nieuwe zenders beschikbaar zijn. U kunt als volgt naar nieuwe zenders zoeken:

1. Druk in de DAB-modus op **MENU**, “Full Scan” wordt getoond op het display.
2. Druk op **TUNING**, de radio begint met scannen op de Band III DAB-kanalen. Zodra er nieuwe zenders worden gevonden, zal de zenderteller aan de rechterkant van het display worden opgehoogd en de nieuwe zenders worden toegevoegd aan de lijst die is opgeslagen in de radio.

## Handmatig afstemmen – DAB

Handmatig afstemmen is een alternatieve methode voor het zoeken naar nieuwe zenders. In plaats van de automatisch alle Band III-kanalen af te scannen, kunt u de radio ook direct op een bekend DAB-kanaal afstemmen en alle multiplex in dat kanaal opslaan in de beschikbare zenderlijst.

1. Druk in de DAB-modus op **MENU** en draai aan **TUNING** tot het LCD-display de optie “Manual tune” toont, druk daarna op **TUNING**. Het display toont het DAB-kanaal en de frequentie.
2. Draai aan **TUNING** om het gewenste kanaal of de gewenste frequentie te selecteren en druk daarna op **TUNING** om af te stemmen op de gekozen frequentie.
3. Als de DAB-zenders op het gekozen kanaal zijn gevonden, dan zal het display de naam van de zender tonen. Nieuwe radiozenders die zijn gevonden worden toegevoegd aan de lijst die is opgeslagen in de radio.

4. De signaalsterkteweergave toont de ontvangst van de zender. De niet-gevulde rechthoeken geven het minimaal benodigde signaalniveau aan voor bevredigende ontvangst. De balkjes die de signaalsterkte weergeven nemen toe of af en geven de veranderende signaalsterkte aan wanneer u de antenne of radio herpositioneert.
5. Herhaal de stappen 1 tot 4 voor andere kanalen met nieuwe radiozenders.
6. Druk twee keer op **MENU** om handmatig afstemmen te verlaten en terug te keren naar de normale DAB-bediening.

## Instellen Dynamic Range Control (DRC) – DAB

DRC kan zachte geluiden eenvoudiger hoorbaar maken wanneer de radio wordt gebruikt in een lawaaige omgeving.

1. Druk in de DAB-modus op **MENU** en draai aan **TUNING** tot het display de optie “DRC Value” toont, druk daarna op **TUNING**.
2. Draai aan **TUNING** om de gewenste DRC-instelling te selecteren (standaard OFF).

|          |   |
|----------|---|
| DRC off  | DRC is uitgeschakeld, uitgezonden DRC wordt genegeerd.                            |
| DRC high | DRC wordt ingesteld zoals verstuurd door de zender.                               |
| DRC low  | DRC-niveau wordt ingesteld op 1/2 van het niveau dat is verstuurd door de zender. |
3. Druk op **TUNING** om de instelling te bevestigen. Het display keert terug naar de normale radioweergave.

**Opmerking:** Niet alle DAB-uitzendingen maken gebruik van de DRC-functie. Als een uitzending geen gebruik maakt van DRC, dan zal het instellen van DRC op de radio geen effect hebben.

## Niet-beschikbare zenders verwijderen – DAB

Als u verhuist naar een ander deel van het land, dan is het mogelijk dat bepaalde zenders die in de lijst staan niet langer beschikbaar zijn. Er kunnen ook van tijd tot tijd DAB-diensten zijn die stoppen met uitzenden of veranderen van locatie of frequentie. Met deze functie voor het verwijderen van niet-beschikbare zenders kunt u niet-beschikbare DAB-zenders uit uw zenderlijst verwijderen.

1. Druk op **MENU** in de DAB-modus.
2. Draai aan **TUNING** tot het display “Prune” toont.
3. Druk op **TUNING** om de instelling te openen.
4. Draai aan **TUNING** om “Yes” of “No” (standaard No) te selecteren. Selecteer “Yes” om deze functie in te schakelen indien gewenst of selecteer anders “No”.
5. Druk op **TUNING** om de instelling te bevestigen. Het display keert terug naar het vorige menu en u kunt nu op **MENU** drukken om terug te gaan naar de normale radioweergave.

**Opmerking:** als u bent verhuist naar een ander deel van het land, dan dient u ook opnieuw naar zenders te zoeken (raadpleeg de paragraaf “Nieuwe zenders zoeken – DAB”).

## FM-MODUS

### De radio gebruiken – FM-zenders zoeken

1. Druk op **On/Off** om de radio in te schakelen.
2. Selecteer de golfband **FM RADIO** door op **SOURCE** te drukken.
3. Als de radio voor het eerst in de FM-modus wordt gezet, dan zal voorkeurszender 1 worden afgespeeld. Als de radio eerder is gebruikt, dan zal de laatst beluisterde zender worden afgespeeld.
4. Druk om naar een zender te zoeken op **TUNING**. De scan stopt automatisch wanneer er een zender met een sterk signaal wordt gevonden.
5. Na een paar seconden zal het display bijwerken en de zendernaam tonen wanneer er RDS-informatie wordt ontvangen.
6. Druk om naar andere zenders te zoeken nogmaals op **TUNING**.
7. U kunt met behulp van **TUNING** bepalen in welke richting de radio naar zenders zoekt. Draai **TUNING** met de klok mee (om van lage frequentie naar hoge frequentie te scannen) of draai **TUNING** tegen de klok in (om van hoge frequentie naar lage frequentie te scannen) en druk vervolgens op **TUNING**.
8. Als het einde van de golfband is bereikt, dan zal de radio doorgaan vanaf het andere uiteinde van de golfband.

### Handmatig afstemmen – FM

1. Druk op **On/Off** om de radio in te schakelen.
2. Selecteer de FM-band door op **SOURCE** te drukken.
3. Draai aan **TUNING** om de frequentie van de gewenste FM-zender te bereiken. De radio verandert de frequentie met stappen van 50 kHz.
4. Draai de rubberen antenne voor de beste ontvangst. Als de radio is afgestemd op een zender met voldoende signaalsterkte en RDS-informatie ontvangt, dan zal het display de zendernaam tonen.
5. Als het einde van de golfband is bereikt, dan zal de radio doorgaan vanaf het andere uiteinde van de golfband.

### RDS-informatie – FM

RDS (Radio Data System) is een informatiesysteem waarbij onhoorbare digitale informatie wordt verzonden in aanvulling op het normale FM-radioprogramma. Wanneer de radio een RDS-zender ontvangt en de signaalsterkte adequaat is, dan zal de zendernaam op het display verschijnen. Het kan even duren voordat de RDS-informatie beschikbaar is.

### RDS-informatie oproepen

Als u naar een FM-zender met RDS-systeem luistert, druk dan herhaaldelijk op **INFO** om door de informatie te bladeren. Dit werkt alleen wanneer het ontvangstniveau voldoende en helder is.

|                        |   |
|------------------------|---|
| a. Zendernaam (PS)     | Toont de naam van de huidige zender.  |
| b. Radiotekst (RT)     | Toont het tekstbericht over de huidige zender.                                  |
| c. Programmatype (PTY) | Toont het zendertype van de beluisterde zender bijv. Pop, Classic, Nieuws, etc. |
| d. Frequentie          | Toont de frequentie van de zender die beluisterd wordt.                         |
| e. Stereo of Mono      | Toont Stereo of Mono.   |
| f. Signaalniveau       | Toont de signaalsterkte.  |
| g. Tijd & datum        | Toont de huidige tijd (24-uursklok) en datum.                                   |

### Instelling scangevoeligheid – FM

De radio scant normaal naar alle zenders op de FM-band, inclusief zwakke signalen. Het is echter ook mogelijk om met de automatische scanfunctie alleen naar zenders met sterke signalen te zoeken, zodat de ontvangst goed is.

1. Druk op **On/Off** om de radio in te schakelen.
2. Selecteer de FM-band door op **SOURCE** te drukken.
3. Druk op **MENU**, het display toont "Scan Setting".
4. Druk op **TUNING**.
5. Draai aan **TUNING** en selecteer "All Stations" of "Strong Station" (standaard "All Stations"). De optie "Strong Station" zorgt ervoor dat de radio alleen naar sterke signalen zoekt tijdens het scannen.
6. Druk op **TUNING** om uw instelling te bevestigen. Het display keert terug naar de normale radioweergave.

### FM stereo / mono

1. Als de FM-zender die wordt ontvangen een zwak signaal heeft, dan kan er wat ruis hoorbaar zijn. Druk om de ruis te verminderen op **Mono/Stereo** om te schakelen naar de monomodus, het display toont "Mono".
2. Druk om terug te keren naar de stereomodus op **Mono/Stereo**, het display toont "Stereo". De radio schakelt automatisch naar de stereomodus als de ontvangst goed is.
3. Het LCD-display kan "Mono" of "Stereo" weergeven (zie "**RDS-informatie oproepen**" hierboven)

## VOORKEURSZENDERS

### Voorkeurszenders opslaan

De radio beschikt over 20 voorkeurszenders, 10 voor DAB en 10 voor FM.

Voorkeurszenders worden in geval van stroomuitval onthouden door de radio.

1. Druk op **On/Off** om de radio in te schakelen
2. Selecteer de gewenste golfband door op **SOURCE** te drukken.
3. Stem af op de gewenste zender.
4. Houd de **knop van de gewenste voorkeurszender** (1–10) ingedrukt tot de radio een piepton laat klinken en de tekst “Saved” toont.
5. Herhaal stap 3 en 4 voor de resterende voorkeurszenders.
6. Zenders die zijn opgeslagen als voorkeurszender kunnen worden overschreven door de bovenstaande procedure te volgen.

### Voorkeurszenders oproepen

1. Druk op **On/Off** om de radio in te schakelen
2. Selecteer de gewenste golfband door op **SOURCE** te drukken.
3. Druk kort op de **knop van de gewenste voorkeurszender** (1-10). In de FM-modus toont het display bijvoorbeeld “P1” in de rechterbovenhoek.

## AUX-IN-MODUS

Er zit een 3,5mm stereo Aux-Ingang aan de zijkant achter de rubberen bedekking. U kunt op deze aansluiting een extern audioapparaat, zoals een MP3-speler of CD-speler, aansluiten (aux-kabel niet meegeleverd met deze radio).

1. Sluit een audiokabel aan op de **AUX-INGANG**.
2. Druk op **SOURCE** om de AUX-INGANG te selecteren. Het display toont “AUX IN”.
3. Speel muziek af op de externe speler.
4. Stel het **VOLUME** naar wens in op zowel de radio als de externe speler.
5. Sluit na gebruik de rubberen bedekking om te voorkomen dat vocht of stof in de aansluiting en radio kan binnendringen.

**Opmerkingen:** Gebruik de Aux-ingang nooit in regenachtige of vochtige omstandigheden om te voorkomen dat vocht kan binnendringen in de radio. Houd de rubberen bedekking goed gesloten onder deze omstandigheden.

De automatische energiemangementfunctie zal worden geactiveerd in de AUX-modus. Als er gedurende een periode van 15 minuten geen signaal \* binnenkomt op de Aux-ingang, dan zal de radio automatisch naar de standbymodus schakelen. De radio kan weer ingeschakeld worden door op **On/Off** te drukken.

\* Daarnaast zal de radio door de automatische energiemangementfunctie ook naar de standbymodus schakelen wanneer het signaal van het extern apparaat te zacht is en voor een periode van 15 minuten niet kan worden gedetecteerd.

Om dit te voorkomen kunt u het uitvoerniveau van het externe apparaat verhogen.

## DE KLOK HANDMATIG INSTELLEN

De klok kan alleen worden ingesteld wanneer de radio in de standbymodus staat. Als er geen toetsen worden ingedrukt voor 5 seconden, dan zal de radio het instellen van de klok verlaten en wordt de instelling geannuleerd.

1. Houd **TIME SET** voor 12 seconden ingedrukt tot de urenknijpers knippen op het display.
2. Draai aan **TIME SET** om het uur in te stellen.
3. Druk ter bevestiging op **TIME SET**, de minuutknijpers knippen.
4. Draai aan **TIME SET** om de minuten in te stellen.
5. Druk ter bevestiging op **TIME SET**. De dag knijpert.
6. Draai aan **TIME SET** om de huidige dag in te stellen.
7. Druk ter bevestiging op **TIME SET**. De maand knijpert.
8. Draai aan **TIME SET** om de huidige maand in te stellen.
9. Druk ter bevestiging op **TIME SET**. Het jaar knijpert.
10. Draai aan **TIME SET** om het huidige jaar in te stellen.
11. Druk ter bevestiging op **TIME SET**. De tekst “Synclock on” knijpert.
12. Draai aan **TIME SET** om “Synclock on” of “Synclock off” te selecteren.
13. Druk ter bevestiging op **TIME SET** en voltooi het instellen van de klok.

### Automatisch tijd synchroniseren

Als de optie “Synclock on” wordt geselecteerd, dan kan de klok elke keer wanneer de radio wordt ingeschakeld automatisch worden ingesteld en bijgewerkt. De klok zal worden gesynchroniseerd met de DAB- of FM-zender die tijdens het laatste gebruik van de radio werd ontvangen.

Als de klok wordt gestopt of gereset door een stroomonderbreking (of na een “systeemreset”), dan zal de klok weer automatisch worden ingesteld en bijgewerkt met de DAB- of FM-zender die tijdens het laatste gebruik van de radio werd ontvangen. Dit wordt gedaan ongeacht de optie “Synclock” is ingesteld op aan of uit.

Het automatisch instellen van de tijd of het synchroniseren van de tijd kan een paar minuten duren, afhankelijk van de signaalsterkte van de radiozender. Als het na 10 tot 15 minuten niet succesvol is gelukt, dan kan het nodig zijn de radio te verplaatsen naar een plaats met betere radio-ontvangst.

## VOLUME & GELUID

Draai om het volume in te stellen simpelweg aan **VOLUME** wanneer de radio is ingeschakeld. Het volumeniveau (van 00 tot het hoogste niveau 40) wordt getoond op het LCD-display.

### Tweeweg luidsprekers

De **ROCKBULL**-radio heeft ingebouwde tweeweg luidsprekers voor elk kanaal. De woofer reproduceert op elk kanaal de lage frequenties en de tweeter reproduceert op elk kanaal de hoge frequenties. Tweeweg luidsprekers kunnen een dynamisch en krachtig geluid reproduceren terwijl een helder en nauwkeurig geluidsbeeld wordt behouden.

## LOUDNESS

De **Loudness**-functie maakt het mogelijk om compensatie op de lagere en hogere frequentie te krijgen.

Het effect zal beter hoorbaar zijn wanneer de radio is ingesteld op een laag volume (Dynamic Loudness).

1. Druk op **On/Off** om de radio in te schakelen.
2. Druk op **LOUDNESS**, en selecteer "Loudness on" of "Loudness off".
3. Het display keert terug na 3 seconden terug naar de normale weergave en hervat operatie.

## SURROUND SOUND

De **ROCKBULL** radio maakt gebruik van een digitale geluidsprocessor om het originele audiosignaal aan te passen en een digitaal virtueel Surround Sound te creëren. De kwaliteit van de geluidsreproductie is sterk verrijkt waardoor er een ruimtelijk geluidsveld ontstaat.

1. Druk op **On/Off** om de radio in te schakelen.
2. Druk op **SOURCE** om de DAB- of AUX-IN-modus te selecteren.
3. Druk op **SURROUND** en selecteer "Surround on" of "Surround off".
4. Het display keert terug na 3 seconden terug naar de normale weergave en hervat operatie.

Het Surround Sound effect varieert sterk per muziek type. Het beste resultaat wordt meestal bereikt met "lichtere en easy listening" muziek. "Harde en zware" muziek zal veelal resulteren in een minder "open geluid" of zelfs vervorming. Dit alles is natuurlijk sterk afhankelijk van het gekozen volume niveau en de geselecteerde equalizer stand. Het Surround Sound effect komt het best tot z'n recht in een grotere kamer met reflecterende muren terwijl men luistert op enkele meters afstand van de radio. Heel dicht bij de radio is het Surround Sound effect niet optimaal.

Opmerking: Surround Sound is niet beschikbaar in de FM-modus.

## EQUALIZER

De **EQUALIZER**-functie stelt u in staat om 1 van de 12 voorgeprogrammeerde equalizerinstellingen te selecteren. Elke voorgeprogrammeerde instelling bevat een groep van parametrische opties voor de digitale audioprocessor. De processor kan zo optimaal worden ingesteld voor verschillende soorten muziek en voor toepassingen in verschillende omgevingen.

1. Druk op **On/Off** om de radio in te schakelen.

2. Druk herhaaldelijk op **EQUALIZER** om de gewenste EQ-instelling te selecteren. De getoonde EQ-instelling is onmiddellijk van kracht:

**EQ1 Neutraal**  
**EQ2 Binnenshuis**  
**EQ3 Buitenshuis**  
**EQ4 Vlak**  
**EQ5 Rock**  
**EQ6 Soul en Jazz**  
**EQ7 Klassiek**  
**EQ8 Akoestisch**  
**EQ9 Dance**  
**EQ10 Gesproken woord**  
**EQ11 Kleine ruimte**  
**EQ12 's Avonds laat**

3. Het display keert terug na 3 seconden terug naar de normale weergave en hervat operatie.

## AANVULLENDE METALEN TELESCOPISCHE ANTENNE

U kunt deze antenne gebruiken als alternatieve antenne voor uw radio in gebieden of op locaties waar het radiosignaal (FM/DAB/DAB+) zwak tot erg zwak is.

**LET OP: De standaardantenne is flexibel. De metalen antenne is niet flexibel of buigbaar en dient gebruikt te worden met zorg. Het breken of buigen van de antenne is niet gedekt door de garantie.**

**Installeren:** Schroef de standaard flexibele antenne voorzichtig van de radio. Maak de antenne eerst voorzichtig los met een steeksleutel (maat 14) – draai tegen de klok in. Schroef de metalen telescopische antenne voorzichtig op de radio en draai de schroeven zacht aan met een steeksleutel (maat 14) – draai met de klok mee.

**LET OP: gebruik niet teveel kracht bij het vastzetten van de antennes omdat dit de schroefdraad van de antennes kan beschadigen of kapot kan maken.**

## TAALINSTELLING

Het menu van de radio kan in verschillende talen worden getoond.

1. Druk op **On/Off** om de radio in te schakelen.
2. Druk op **MENU**, draai daarna aan **TUNING** tot het display "System" toont.
3. Druk op **TUNING**; draai aan **TUNING** tot het display "Language" toont.
4. Druk op **TUNING** om het menu met taalinstellingen te openen.
5. Draai aan **TUNING** tot de gewenste taal op het display verschijnt (standaard English).
6. Druk op **TUNING** om uw keuze te bevestigen.
7. Het menu zal daarna worden weergegeven in de gekozen taal.



## SOFTWAREVERSIE

De softwareversie kan niet worden veranderd is dient alleen ter referentie. U kunt de softwareversie alleen bekijken in de DAB- en FM-modus.

1. Druk op **On/Off** om de radio in te schakelen.
2. Druk op **SOURCE** om de FM- of DAB-modus te selecteren.
3. Druk op **MENU** en draai daarna aan **TUNING** tot het display "System" toont.
4. Druk op **TUNING**; draai aan **TUNING** tot het display "SW version" toont.
5. Druk op **TUNING** om de softwareversie te bekijken.
6. Druk op **MENU** om terug te keren naar de normale radioweergave.

## SYSTEEMRESET

Als de radio niet correct werkt, er cijfers ontbreken of onjuist worden getoond op het display, voer dan de volgende procedure uit.

1. Druk op **On/Off** om de radio in te schakelen.
2. Druk op **MENU**.
3. Draai aan **TUNING** tot het display "System" toont. Druk op **TUNING**.
4. Draai aan **TUNING** tot het display "Factory Reset" toont. Druk op **TUNING**.
5. Draai aan **TUNING** om "Yes" of "No" te selecteren. Selecteer "Yes" als u de radio wilt resetten, selecteer anders "No".
6. Druk op **TUNING** om uw keuze te bevestigen.
7. Er wordt een volledige reset uitgevoerd. Alle voorkeurszenders en de zenderlijst worden gewist. Alle instellingen worden ingesteld op de standaardwaarden. De radio start op en het display toont voor een paar seconden de boodschap "WELCOME TO DIGITAL RADIO". De radio zal daarna automatisch beginnen met een scan op de Band III DAB-kanalen en de FM-band. Het display toont "Scanning" in de DAB-modus en "Auto" in de FM-modus.
8. Als de scan is voltooid, dan worden de 10 DAB- en FM-zenders met het sterkste signaal opgeslagen als voorkeurszenders. De radio schakelt naar de standbymodus en de bijgewerkte tijd en datum zullen op het display worden weergegeven.

In geval van storing als gevolg van elektrostatische lading; reset het product zoals hierboven beschreven om normaal gebruik te hervatten. Als u de resetprocedure zoals hierboven beschreven niet kunt uitvoeren, sluit het apparaat dan opnieuw aan op het lichtnet.

## ACHTERGRONDVERLICHTING VAN DISPLAY

Als de radio wordt gebruikt of standby staat, dan zal het LCD-display bij elke druk op een willekeurige knop voor ongeveer 10 seconden oplichten.

## ATP-WACHTWOORD

Deze radio is voorzien van een anti-diefstalsysteem (ATP). Als het anti-diefstalsysteem is ingeschakeld, dan moet er een wachtwoord worden ingevoerd om de radio in te schakelen.

1. Druk op **On/Off** om de radio in te schakelen.
2. Druk op **MENU**.
3. Draai aan **TUNING** tot het display "System" toont. Druk op **TUNING**.
4. Draai aan **TUNING** tot het display "Passcode" toont. Druk op **TUNING**; Het display toont "Enable" of "Disable". Als u ATP wilt inschakelen, draai aan **TUNING** en selecteer "Enable".
5. "Change passcode" wordt getoond, voer een 4-cijferig wachtwoord in door op de **knoppen van de voorkeurszenders** te drukken (1-10).
6. "Confirm passcode" wordt getoond. Voer hetzelfde wachtwoord een tweede keer in om het wachtwoord te bevestigen.
7. Selecteer om het wachtwoord uit te schakelen de optie "Disable" zoals eerder getoond. Voer het wachtwoord opnieuw in om het anti-diefstalsysteem uit te schakelen.

Als ATP is ingeschakeld en er 3 keer een foutief wachtwoord wordt ingevoerd, dan zal er een timer worden geactiveerd. U kunt daarna alleen een wachtwoord invoeren als de timer is verstreken. De timerperiode zal worden verhoogd wanneer er meerdere keren een foutief wachtwoord wordt ingevoerd.

**WAARSCHUWING: Als u de wachtwoordfunctie inschakelt, schrijf uw wachtwoord dan op een veilige plek op voor het geval u het wachtwoord zou vergeten.**

**Dit omdat er geen manier is om de radio te resetten mocht u het wachtwoord vergeten zijn!**

## GARANTIE

U heeft op dit product 2 jaar beperkte garantie.

**WAARSCHUWING ! De garantie vervalt zodra de behuizing van de radio is geopend of wanneer er veranderingen aan de radio zijn gemaakt !**

De garantievoorwaarden van deze radio bieden geen dekking voor het volgende:

- Schade veroorzaakt door verkeerd gebruik, misbruik, verwaarlozing, wijzigingen, ongelukken of niet-goedgekeurde reparaties.
- Normale slijtage.
- Het breken of buigen van de metalen telescopische antenne.

## INFORMATIE



Dit apparaat is ontstoord volgens de geldende EU-richtlijnen.  
Dit product voldoet aan de Europese richtlijnen 2006/95/EC, 2005/32/EC en 2004/108/EC.  
Dit apparaat voldoet aan de veiligheidsregelgeving DIN EN 60065 (VDE 0860) en dus de internationale veiligheidsregelgeving IEC 60065.  
Nooit de behuizing van het apparaat openen. De fabrikant aanvaardt geen aansprakelijkheid voor schade die voortkomt uit onjuist gebruik.  
Het typeplaatje bevindt zich op de onderkant van het apparaat.

### Milieuvoorschrift



Dit product is gemaakt van hoogwaardige onderdelen en materialen, die kunnen worden hergebruikt en gerecycled.  
Gooi het product aan het einde van zijn levensduur dus niet weg met het normale huisvuil. Breng het naar een inzamelpunt voor het recyclen van elektrische en elektronische apparaten. Dit is aangegeven door dit symbool op het product, in de handleiding en op de verpakking.  
Raadpleeg uw gemeente voor meer informatie over inzamelpunten.  
Help het milieu te beschermen door het recyclen van gebruikte producten.

### Technische gegevens

#### Voeding

Lichtnet:  
AC 230 V ~, 50/60Hz

#### Stroomverbruik

Gebruik: ≤ 85 W  
Standby: ≤ 0,5 W

#### Frequentiebereik

FM 87,5 – 108,0 MHz  
DAB 174,928 – 239,200 MHz

#### Luidspreker

Woofers 2 x Ø130mm, 4 ohm  
Tweeters 2 x Ø45mm, 8 ohm

#### Vermogen

Nominaal 2 x 25W

#### Aux-ingang

Ø3,5mm

#### Afmetingen en gewicht

B x H x D: 485 x 306 x 263 mm  
Nettogewicht: 6,6 kg