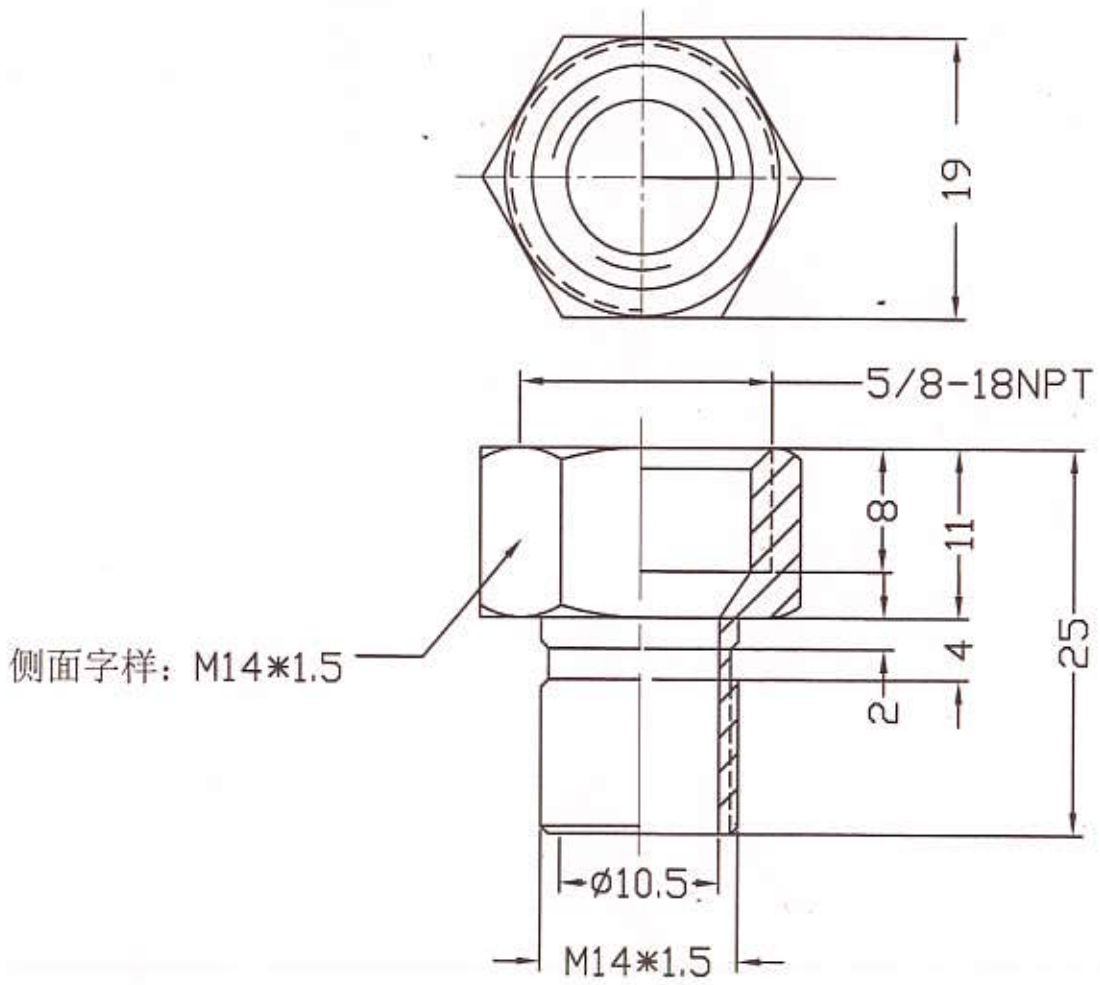


313



侧面字样: M14*1.5

注:
未标注倒角为1*45°
未标注表面粗糙度为1.6
侧面字样: M14*1.5

郑福华 孙玲 445

VER DESCRIPTION & ECN NOSING			
TOLERANCE			
LENGTH	ZONE	LENGTH	ZONE
0.5~3	± 0.05	30~120	± 0.15
3~6	± 0.05	120~315	± 0.2
6~30	± 0.1	315~1000	± 0.3
ANGLE DIM. ±			
MATERIAL: 黄铜			
TREATMENT/FINISH:			
SCALE: 2: 1			
ANGLE PROJ. 3		UNIT: mm	A4
NAME 接头			
DRAW NO:			

DESIGN:	DRAWN: 吴党华	CHECKED: <i>Heang</i>	APPROVED:	TOOLING NO:	PARTS NO: C340-020-17C-AA
---------	------------	-----------------------	-----------	-------------	---------------------------