

V2

hama[®]

THE SMART SOLUTION

00054815

Internet Radio

IR320

Internetradio

Operating Instructions

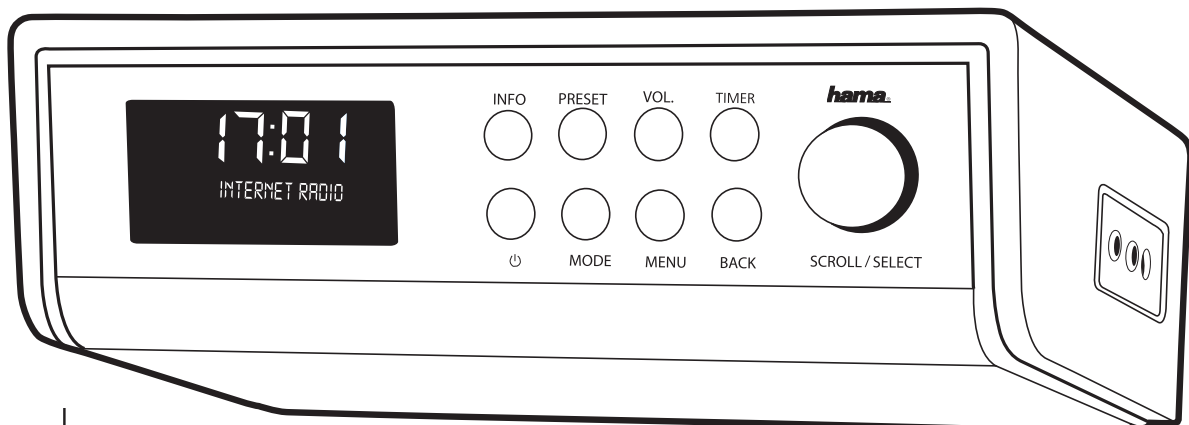
GB

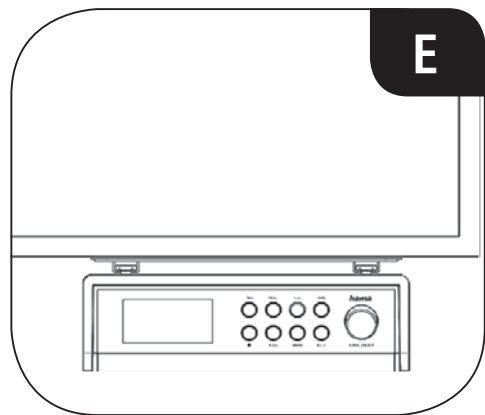
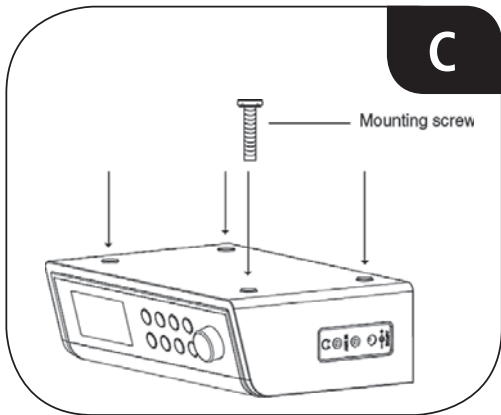
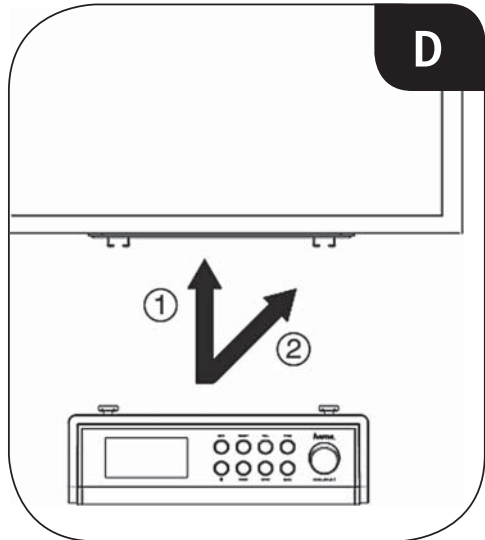
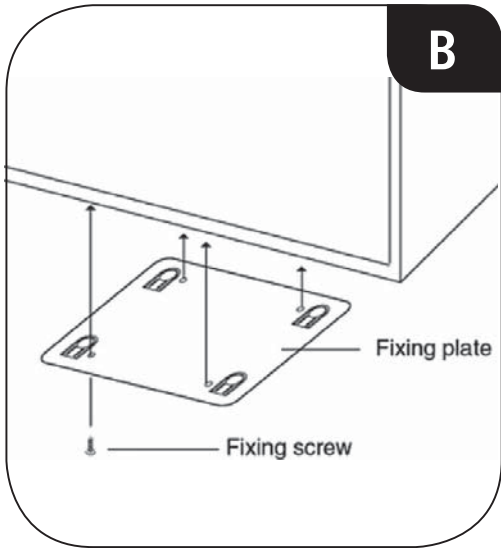
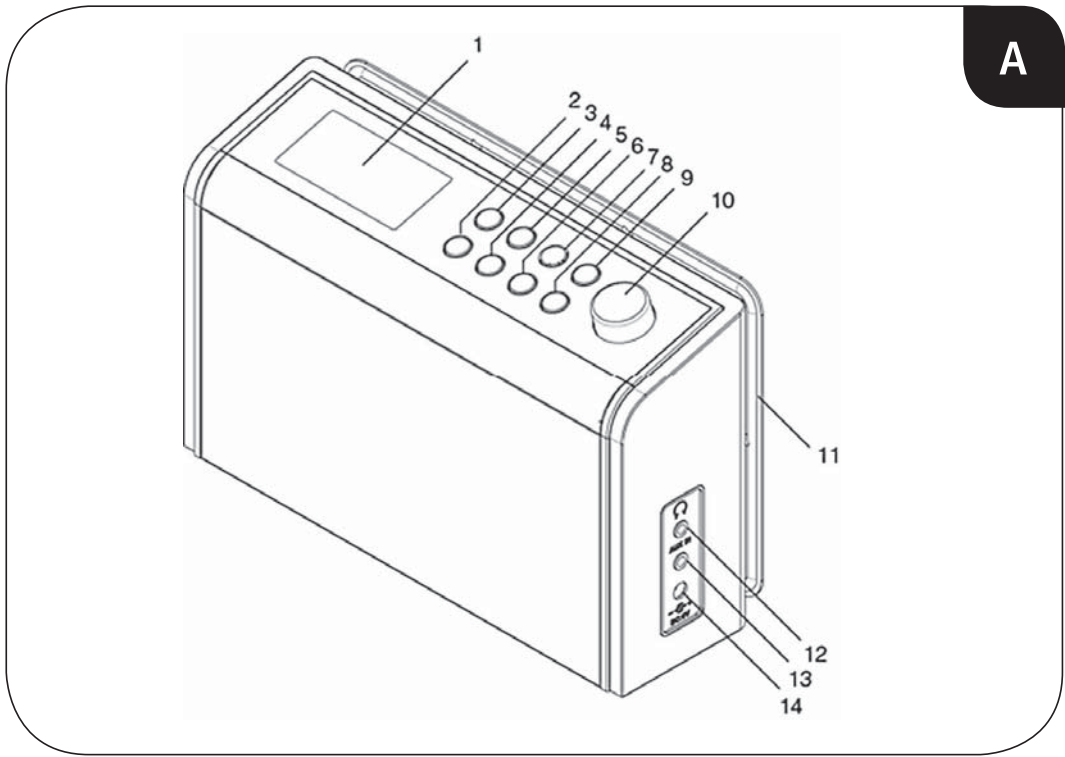
Bedienungsanleitung

D

Mode d'emploi

F





Controls and Displays (A)

1. Display
2. [POWER] (⏻) button
Pressing this button turns the radio on or off (standby mode).
3. [INFO] button
Pressing this button displays station/programme information.
4. [MODE] button
Pressing this button switches between internet radio, the music player and AUX.
5. [PRESET] button (in internet mode)
Pressing and holding this button saves the selected station / pressing this button tunes in to the selected station.
6. [MENU] button
Pressing this button opens the menu.
7. [VOL] button
Pressing this button activates volume control using [SCROLL/SELECT] during playback.
8. [BACK] button
Pressing this button takes you back to the previous selection.
9. [TIMER] button
Pressing a button activates the egg timer, which can be set using [SCROLL/SELECT].
10. [SCROLL/SELECT] rotary push button
Setting and confirming the selection
11. Mounting plate
12. Headphone jack
13. AUX input
14. DC 9 V connection

Thank you for choosing a Hama product.
Take your time and read the following instructions and information completely. Please keep these instructions in a safe place for future reference. If you sell the device, please pass these operating instructions on to the new owner.

1. Explanation of Warning Symbols and Notes

Warning

This symbol is used to indicate safety instructions or to draw your attention to specific hazards and risks.

Note

This symbol is used to indicate additional information or important notes.

Risk of electric shock

This symbol indicates product parts energized with a dangerous voltage of sufficient magnitude to constitute a risk of electric shock.

2. Package Contents

- Internet radio
- AC mains adapter
- Mounting plate
- 4 M6 x 13 screws
- 4 wood screws
- These operating instructions

3. Safety Notes

- The product is intended for private, non-commercial use only.
- Protect the product from dirt, moisture and overheating and use it in dry rooms only.
- As with all electrical devices, this device should be kept out of the reach of children.
- Do not drop the product and do not expose it to any major shocks.
- Do not operate the product outside the power limits given in the specifications.
- Keep the packaging material out of the reach of children due to the risk of suffocation.
- Dispose of packaging material immediately according to locally applicable regulations.
- Do not modify the device in any way. Doing so voids the warranty.

Risk of electric shock

- Do not open the device or continue to operate it if it becomes damaged.
- Do not use the product if the AC adapter, adapter cable or power cable is damaged.
- Do not attempt to service or repair the device yourself. Leave any service work to qualified experts.

4. Installation

- Attach the included mounting plate to the bottom of your wall cupboards using all 4 wood screws. (B)
- Choose a suitable position for this purpose because the radio must not be exposed to heat sources or moisture (not above or near a stove/dishwasher/sink).
- Screw the four M6 X 13 screws into the appropriate holes on the top of the radio (C). The screws must protrude about 3.5 mm and may not be screwed in all the way.
- Mount the radio on the mounting plate so that the 4 screws click firmly into place in all 4 mounting rails (D and E)

5. Before Getting Started

Check the network availability for the internet radio's reception

- Make sure that the router is on and working properly, and that you have an internet connection.
- Activate your router's WLAN function.
- See the operating instructions for your router regarding a properly functioning WLAN connection.
- Then proceed as described in item 6, "Getting Started".

6. Getting Started

6.1 Switching on the radio

- Plug the connection cable of the included AC mains adapter into the DC 9 V connection on your radio.
- Plug the AC mains adapters into a properly installed power outlet.



Warning

- Only connect the product to a socket that has been approved for the device. The electrical socket must always be easily accessible.
- Disconnect the product from the network using the power button – if this is not available, unplug the power cord from the socket.

- Wait until the radio has finished starting up.
- Press [POWER] (⏻) to turn the radio on.



Note – Turning the radio on for the first time

- After startup is complete, the language must first be selected.
- Turn [SCROLL/SELECT] to select your desired language and confirm your selection by pressing [SCROLL/SELECT].
- After the language has been set, the radio will display the setup wizard.
- Press [SCROLL/SELECT] to start the setup wizard.
- If you don't want to start the setup wizard, turn [SCROLL/SELECT] to make the appropriate selection. Press [SCROLL/SELECT] to confirm the highlighted button you have selected.

6.2 Starting up with the setup wizard

The setup wizard is an option in the system settings menu. You can use it to set the time and date, as well as to set up internet radio reception via WLAN.

- Turn [**SCROLL/SELECT**] to select either the 12 or 24-hour format and confirm your selection by pressing [**SCROLL/SELECT**].
- Turn [SCROLL/SELECT] to select either **Update from Network** or **No update** and confirm your selection by pressing [SCROLL/SELECT]

Selecting Update from Network (time and date)

- Once you have selected **Update from Network**, turn [SCROLL/SELECT] to set your time zone and confirm your selection by pressing [SCROLL/SELECT].
- Turn [SCROLL/SELECT] to choose whether to use the **Daylight savings** (on/off) option and confirm your selection by pressing [SCROLL/SELECT].

Selecting No update (time and date)

If you select **No update** you can enter the date manually in the DD-MM-YYYY format.

- Turn [SCROLL/SELECT] to select the option “Keep network connection?” (YES/NO) and confirm your selection by pressing [SCROLL/SELECT].
- The network wizard search starts automatically and searches for available WLAN networks.

Note – Keep network connection

- For the “Keep network connection?” option, select yes so that the radio will remain connected to the network even in standby mode or in operating modes that do not require a WLAN connection (e.g. AUX mode).
- This guarantees that when the radio is switched on that it is able to establish an Internet connection more quickly and that it is able to call up the exact time and date, etc.
- Note, keeping the network connection uses more power than in standard standby mode.

- Turn [SCROLL/SELECT] to select the WLAN region and confirm your selection by pressing [SCROLL/SELECT].

Entering the WLAN key

This step is not necessary for unsecured networks. If the selected network is password-protected, you will be asked for the **Key**: Enter the password/WLAN key as follows:

- Turn [SCROLL/SELECT] to select either numbers, letters or special characters, and confirm your selection by pressing [SCROLL/SELECT].
- To undo an incorrect entry, turn [SCROLL/SELECT] until the **BKSP** button is selected. Confirm your selection by pressing [SCROLL/SELECT].
- After you have entered the correct password/WLAN key, turn [SCROLL/SELECT] until the **OK** button is selected. Confirm your selection by pressing [SCROLL/SELECT].

Note – WLAN key

- After you have entered the password/WLAN key correctly, the radio stores it so you don't have to enter it again.

- To go back to selecting your WLAN network (**SSID**), turn [SCROLL/SELECT] until the **CANCEL** button is selected. Confirm your selection by pressing [SCROLL/SELECT].
- After the connecting process, **Setup wizard completed** will appear on the display. Press [SCROLL/SELECT] to exit the setup wizard. **Media menu** appears in the display.

6.3 Starting up without the setup wizard

If you decide not to use the setup wizard the first time you turn on the radio, you have the option of running the setup wizard automatically the next time you turn it on.

- To have the setup wizard run automatically the next time you start up the radio, turn [SCROLL/SELECT] until the appropriate button is selected. Confirm your selection by pressing [SCROLL/SELECT].
- **Main menu** will appear in the display

Note – Setup wizard

- You can start the setup wizard at any time and as many times as you want.

- Turn [SCROLL/SELECT] in the **main menu** until the **System settings** option is selected. Confirm your selection by pressing [SCROLL/SELECT].
- Turn [SCROLL/SELECT] in **System settings** until the **Setup wizard** option is selected. Confirm your selection by pressing [SCROLL/SELECT]. The setup wizard starts up.

7. Operating the Internet Radio

Note – Returning to the previous menu

- To return to your previous selection, press **BACK**.

Note – To the main menu

- You can access the main menu in any submenu or mode by pressing [MENU].

Note

- Repeatedly press [MODE] to switch between the Internet radio, the music player and Aux in.

- Turn [SCROLL/SELECT] in the **main menu** until the **Internet radio** option is selected. Confirm your selection by pressing [SCROLL/SELECT].
- Turn [SCROLL/SELECT] until the **Station list** option is selected, and confirm your selection by pressing [SCROLL/SELECT].

7.1 Local stations

The list of local stations depends on your location and changes automatically. The Local "Country name" station list offers local radio programmes.

- Turn [SCROLL/SELECT] until the **Local** "Country name" option is selected, and confirm your selection by pressing [SCROLL/SELECT].

The Local "Country name" function gives you the option of listening to stations that you preselected, or to different genres such as pop, rock, comedy, etc.

- Turn [SCROLL/SELECT] until the **preferrel station**, option or a genre is selected, and confirm your selection by pressing [SCROLL/SELECT].

An overview of the available radio stations you selected will appear.

- Turn [SCROLL/SELECT] to select the station of your choice, and confirm your selection by pressing [SCROLL/SELECT]. The appropriate station will play

Note – Podcasts

- Some stations offer the option of listening to podcasts. To select one, turn [SCROLL/SELECT] and confirm your selection by pressing [SCROLL/SELECT].
- Searching for specific podcasts works the same way as the Search for stations function described in 7.2.

7.2 Stations

The Stations submenu categorises various radio stations according to Country, Genre, Popular stations and New stations.

- Turn [SCROLL/SELECT] to select an option and a station, and confirm your selection by pressing [SCROLL/SELECT]. The appropriate station will play.

The Search stations option allows you to manually search for specific stations. Enter the search term as follows:

- Turn [SCROLL/SELECT] until the **Search stations** option is selected, and confirm your selection by pressing [SCROLL/SELECT].
- Turn [SCROLL/SELECT] to select appropriate numbers and letters, and confirm each selection by pressing [SCROLL/SELECT].
- To undo an incorrect entry, turn [SCROLL/SELECT] until the **BKSP** button is selected. Confirm your selection by pressing [SCROLL/SELECT].
- To return to the **Stations** submenu, turn [SCROLL/SELECT] until the **CANCEL** button is selected, and confirm your selection by pressing [SCROLL/SELECT]. You can also use **BACK**.
- After you have entered the search term, turn [SCROLL/SELECT] until the **OK** button is selected, and confirm your selection by pressing [SCROLL/SELECT]. You will receive a list of all the stations that include the search term.
- To select a station from this list, turn [SCROLL/SELECT]. Confirm your selection by pressing [SCROLL/SELECT]. The appropriate station will play.

Note – Availability of stations

- Please note that not all radio stations broadcast round the clock. As a result, certain stations are not always available online.

7.3 Adding stations

In addition to the broad selection of automatically listed radio stations, you can also add unlisted stations. You can add them using the www.wifiradio-frontier.com site. The process is similar to adding favourites (see 7.4).

Note

- If you restore the radio's factory settings, the stations you have added will not be deleted.

7.4 My favourites

You can use the **My favourites** submenu to select from a list of your favourite radio stations. The stations must be added to the favourites list as follows:

- Open www.wifiradio-frontier.com on an internet-compatible terminal device (a notebook, smartphone, etc.)
- Please register first. The access code for the registration can be requested via executing [MENU] > Station list > Help > Get access code, if Internet radio is active and a WLAN connection established.
- Add the radio stations of your choice.
- Turn off your radio for a few minutes so the new settings can be applied.

Note – Station information

- You can control the information shown under the station name while a station is playing. Press INFO to switch between the display of the current title, station information, genre, reliability, signal information, playback buffer and date.

7.5 Saving stations

You can use the PRESET function to save up to 10 stations. This allows you to quickly access the stations you want.

- Press and hold [PRESET] for approx. 3 seconds to add the currently playing station to your presets. The Save to Preset list with 10 slots will appear.
- Turn [SCROLL/SELECT] to select a place in the list and confirm your selection by pressing [SCROLL/SELECT]. The station will be saved in the selected position.

Note – Playing presets

- You can listen to the saved stations at any time by pressing PRESET and using [SCROLL/SELECT] to select the appropriate preset.

7.6 Music player

The **Music player** menu allows you to play music files from your computer on the radio.

Note – Music player

- The computer must be able to share files or media (audio files) via UPnP. You can use software such as Windows Music player 10 or later versions for this purpose.
 - You can also use other UPnP platforms.
 - Note the specifications from the software manufacturer and refer to the online help or support from the manufacturer if necessary.
 - Make sure that your computer and the radio are in the same network.
- Turn [SCROLL/SELECT] until the **Music player** option is selected in the **Main menu**, and confirm your selection by pressing [SCROLL/SELECT].
 - To play connected audio files, turn [SCROLL/SELECT] until **My Playlist** is selected, and confirm your selection by pressing [SCROLL/SELECT].
 - Use [SCROLL/SELECT] to select the files you want. They will then start playing.

Playlist

Using the Playlist function, you can make a list of your favourites from the shared audio files.

- To add a track to My Playlist, press and hold [SCROLL/SELECT] for a few seconds when the track is playing. The track will be added to your Playlist.
- To play your Playlist, use [SCROLL/SELECT] to select **My Playlist** in the **Music player** submenu. Use [SCROLL/SELECT] to select the right track. The playlist will start at this track.
- Use [SCROLL/SELECT] to select **Repet play:on** or **Replay play:off** in the **Music player** submenu. Press [SCROLL/SELECT] to select the loop mode (on, off).
- Use [SCROLL/SELECT] to select **Shuffle play:on** or **Shuffle play:off** in the **Music player** submenu. Press [SCROLL/SELECT] to select the shuffle mode (on, off).
- To clear the Playlist, use [SCROLL/SELECT] to select **Clear My playlist** in the **Music player** submenu, and confirm by pressing [SCROLL/SELECT] **YES**. The Playlist and all its tracks will be deleted from the radio.

7.7 AUX mode

The AUX mode menu allows you to connect an MP3 player or other audio device to the AUX input (13) using a 3.5 mm audio cable.

- Use [SCROLL/SELECT] to select **Auxiliary Input** in the **Main menu** to play audio files from the terminal device on your radio.

Note – Volume in AUX mode

- To achieve an optimal volume level in AUX mode, you may have to adjust the volume on your audio device.

8. Alarm and Snooze Function


Note – Alarm function properties

- The radio allows you to set two different alarm times.
- The alarm can be either an alarm sound or a previously set radio station.

8.1 Setting the alarm function

- Turn [SCROLL/SELECT] in the **main menu** until the **Alarm** option is selected. Confirm your selection by pressing [SCROLL/SELECT].
- Turn and press [SCROLL/SELECT] to select **Alarm 1** or **Alarm 2**.
- Turn [SCROLL/SELECT] to select **mode (off, daily, once, weekends, weekdays)**, and confirm your selection by pressing [SCROLL/SELECT].
- Turn [SCROLL/SELECT] to set the **time** and **date**, and confirm your selection by pressing [SCROLL/SELECT].
- Turn [SCROLL/SELECT] to select the **mode (buzzer or internet radio)** and confirm your selection by pressing [SCROLL/SELECT].
- Turn [SCROLL/SELECT] to select the **volume** for your alarm, and confirm your selection by pressing [SCROLL/SELECT].
- If you have selected Internet radio mode, turn and press [SCROLL/SELECT] to select the channel. You can either set your alarm so you wake up to the last channel you listed to, or you can use a saved channel.
- Turn [SCROLL/SELECT] until the **Save** option is selected, and confirm your selection by pressing [SCROLL/SELECT]. The alarm is now activated. A bell symbol with the number 1 and/or 2 and the alarm time set will appear on the display (standby mode).
- The alarm time is now set

Note

- If necessary, repeat the entire process for the second alarm (1 or 2).
- Depending on the mode set, the alarm will go off every day, just on the weekend, or on weekdays.
- When the buzzer or the internet radio goes off at the time set, press  to switch it off.
- To switch off the alarm function entirely, set the **Mode** of the alarm (1 or 2) to **off**.


8.2 Snooze function

Note

- The snooze function only affects the currently active alarm – if the second alarm goes off in the same period, it must be separately interrupted with the snooze function.
- Press [SCROLL/SELECT] to interrupt the alarm without switching it off completely. Depending on how many times you press [SCROLL/SELECT], the alarm will go off again in either 5, 10, 15, 30 or 60 minutes. The active snooze time appears in the display.
- To switch off the alarm entirely, set the **Mode** of the alarm (1 or 2) to **off**.

8.3 Sleep function.

Note

- The display indicates the activated sleep function with the symbol  and a number. The number is the selected time (e.g. 30 = timer active; automatically switches off after 30 min.).
- The radio automatically switches off after the selected time.
- Turn [SCROLL/SELECT] in the **main menu** until the **Sleep** option is selected. Confirm your selection by pressing [SCROLL/SELECT].
- Turn [SCROLL/SELECT] to select the snooze time (off, 15, 30, 45 or 60 min.) and confirm your selection by pressing [SCROLL/SELECT].
- The radio automatically switches off after the selected time.

8.4. Egg timer

- Press [TIMER] to set the egg timer.
- Alternatively, turn [SCROLL/SELECT] in the main menu until the egg timer option is selected.
- Confirm your selection by pressing [SCROLL/SELECT].
- Turn [SCROLL/SELECT] to select a time period between 0 and 99 minutes.
- Confirm your selection by pressing [SCROLL/SELECT].
- An alarm tone sounds once the set time has elapsed. Press [TIMER] to stop the egg timer. Otherwise, the alarm will stop automatically after 30 minutes.

Note

- Press [TIMER] to see the currently remaining egg timer time.
- If you want to switch the egg timer off before the time has elapsed, press [TIMER] and select 0 minutes by turning and pressing [SCROLL/SELECT]. The egg timer is then deactivated.
- The volume of the alarm tone cannot be set manually. It increases automatically up to volume level 16.

9. Other Functions

- To access the System settings submenu, turn [SCROLL/SELECT] in the **main menu** until the **System settings** option is selected. Confirm your selection by pressing [SCROLL/SELECT].

9.1 Equaliser

In the Equaliser submenu, you can select from various equaliser modes or make your own settings.

- Use [SCROLL/SELECT] to select **Equaliser** in the **System settings** submenu.
- Turn [SCROLL/SELECT] to select the appropriate mode. Confirm your selection by pressing [SCROLL/SELECT].
- Use [SCROLL/SELECT] to select **My EQ profile setup** and make individual treble, bass and volume settings.

9.2 Internet settings

You can use the internet settings to select various options such as Wizard, PBC WLAN setup, View settings, Manual settings, Removing network profiles and keeping the network connection.

- Use [SCROLL/SELECT] to select **Networks settings** in the **System settings** submenu. You can select, set and confirm the individual options using [SCROLL/SELECT].

Functions of the individual options:

• **Network assistant :**

The radio automatically scans its surroundings for available WLAN networks. After the search process completes you receive an overview of available networks or the option to configure an Internet connection manually.

• **PBC WLAN setup:**

Devices that support connection via WPS (Wi-Fi Protected Setup) are identified in the list as [WPS]. If you wish to establish a connection via WPS, press [SCROLL/SELECT] after you have selected the desired SSID (Service Set Identifier – ID for network). The radio then offers the option to initiate WPS by pushing the button or using a PIN. With the ‚Push button‘ function you must start the WPS scan on the remote station (e.g. router). Consult the manual for your router or Access Points (AP) to learn how to do this. After you have done this, press [SCROLL/SELECT] on the radio and both devices will establish a connection. With the PIN method the radio creates an 8-digit number, which you then have to enter into the remote station. After entering the PIN, press [SCROLL/SELECT] on the radio so that both devices connect.

• **Display settings:**

Here you will find an overview of all existing network settings currently being used by the radio.

• **Manual settings:**

If you are unable to find your WLAN network with the assistant or if problems occur during connection, you can try to configure the network connection manually. This is also necessary if your router/AccessPoint does not support automatic assignment of IP addresses (DHCP inactive).

Note

You must enter the entire network configuration (IP address, subnet mask, gateway address, primary DNS, secondary DNS) into the following screens. Select individual items by turning and pressing [SCROLL/SELECT]. You can obtain the required information for the network from your own network configuration or request these from your Network Administrator. After all required data has been entered, the radio tries to connect to the network.

Option 1:

Wireless > [SCROLL/SELECT] button
DHCP enable > [SCROLL/SELECT] button
SSID > Enter SSID

If you have a hidden or an undetectable WLAN network you must enter the required network ID (SSID) by turning and pressing [SCROLL/SELECT] and confirming with ,OK'.

After entering the network ID you are prompted to select the encryption method. Depending on your network configuration, select one of the following options:

Open > [SCROLL/SELECT] button> (not allowed/WEP)

Or

PSK > [SCROLL/SELECT] button> (not allowed/WEP)

Or

WPA > [SCROLL/SELECT] button> (TKIP/AES)

Or

WPA2 > [SCROLL/SELECT] button> (TKIP/AES)

Note

For the PSK, WPA and WPA2 methods you then still have to enter the required network key into the entry field by pressing and turning [SCROLL/SELECT] and then using ,OK' to confirm. The radio then attempts to establish a connection. (SSID, encryption and key depend on the configuration of your access point)

Option 2:

Wireless > [SCROLL/SELECT] button
DHCP disable > [SCROLL/SELECT] button

Note

You must enter the entire network configuration (IP address, subnet mask, gateway address, primary DNS, secondary DNS) into the following screens. Select individual items by turning and pressing [SCROLL/SELECT]. You can obtain the required information for the network from your own network configuration or request these from your Network Administrator. After all required data has been entered, the radio tries to connect to the network.

SSID > Enter SSID

Note

If you have a hidden or an undetectable WLAN network you must enter the required network ID (SSID) by turning and pressing [SCROLL/SELECT] and confirming with ,OK'.

After entering the network ID you are prompted to select the encryption method. Depending on your network configuration, select one of the following options:

Open > [SCROLL/SELECT] button > (not allowed/WEP)

Or

PSK > [SCROLL/SELECT] button > (not allowed/WEP)

Or

WPA > [SCROLL/SELECT] button> (TKIP/AES)

Or

WPA2 > [SCROLL/SELECT] button> (TKIP/AES)

Note

For the PSK, WPA and WPA2 methods you then still have to enter the required network key into the entry field by pressing and turning [SCROLL/SELECT] and then using ,OK' to confirm. The radio then attempts to establish a connection. (SSID, encryption and key depend on the configuration of your access point)

• Removing network profiles

The radio saves profiles that have already been used, which you can then access as you change the location of the radio. These profiles reference WLAN networks to which the radio has successfully connected. When trying to connect with a network, the radio automatically checks the profiles and uses any saved data. In order to delete these profiles, choose a profile by turning and pressing [SCROLL/SELECT] and confirm the prompt regarding deletion of the profile with ,**Yes**'. A profile that is currently active cannot be deleted.

9.3 Time and date settings

You can use the Time settings to select and set various options such as time, date, automatic updates, format, time zone and summer/standard time.

- Use [SCROLL/SELECT] to select **Time/Date** in the **System settings** submenu. You can select, set and confirm the individual options using [SCROLL/SELECT].

9.4 Language setting

The standard language ex works is English.

- To change the language, use [SCROLL/SELECT] to select **Language** in the **System settings** submenu. You can select and confirm the appropriate language using [SCROLL/SELECT].

9.5 Factory settings

- To restore the radio's **factory settings**, use [SCROLL/SELECT] to select Factory Reset in the **System settings** submenu.
- Confirm your selection by pressing [SCROLL/SELECT].



Warning

- Restoring the radio's factory settings will delete all the presets, time and date settings, alarms and passwords/WLAN keys you have saved!

9.6 Software updates

New software updates for the radio will occasionally become available for troubleshooting and/or provision of additional features.

- To check the radio for available software updates, use [SCROLL/SELECT] to select **Software update** in the **System settings** submenu.
- Turn [SCROLL/SELECT] to select Auto - check setting and confirm your selection by pressing [SCROLL/SELECT]. You can now set the radio to automatically search for new software versions on a regular basis. You will be notified as soon as a new software version is available.

- Turn [SCROLL/SELECT] to select **Check now** and confirm your selection by pressing [SCROLL/SELECT]. The radio will immediately search for available software updates and then automatically start the upgrade to the new version.



Warning

- Make sure that the radio has a stable power supply before you start a software update. Power supply failure during a software update can cause irreparable damage to the radio.

9.7 Information

- To find information about the radio's firmware version, use [SCROLL/SELECT] to select **Info** in the **System settings** submenu.

9.8 Display lighting

This radio's display lighting can be dimmed to three levels (high, medium, low).

- To set the **display lighting**, use [SCROLL/SELECT] to select Backlight in the **System settings** submenu.
- Use [SCROLL/SELECT] to select whether you want to set the radio's lighting for when it is **on** or **in standby**, and confirm your selection by pressing [SCROLL/SELECT].
- Turn [SCROLL/SELECT] to set the lighting to **high**, **medium** or **low**, and confirm your selection by pressing [SCROLL/SELECT].
- Use [SCROLL/SELECT] to select a timeout interval for standby mode. After switching off and going into standby mode, the radio uses the backlighting used during operating mode for the selected timeout interval before switching to the backlighting selected for standby mode.

9.9 Connecting headphones

- There is a headphone jack (12) on the side of the radio that is suitable for headphones with a 3.5 mm stereo jack plug.
- When you use headphones, the integrated speakers are automatically deactivated.



Note – Standby (only applies to AUX mode)

When auto standby is activated, the radio automatically switches to standby mode when it has not been used for more than an hour.

9.10. Auto Standby

- To set auto standby, use [SCROLL/SELECT] to select AUX: auto standby in the system settings submenu.
- Turn [SCROLL/SELECT] to activate/deactivate the function where the radio automatically switches off and goes into standby mode after an hour. Confirm your selection by pressing [SCROLL/SELECT].

10. Care and Maintenance

Only clean this product with a slightly damp, lint-free cloth and do not use aggressive cleaning agents.

11. Warranty Disclaimer

Hama GmbH & Co. KG assumes no liability and provides no warranty for damage resulting from improper installation/mounting, improper use of the product or from failure to observe the operating instructions and/or safety notes.

12. Service and Support

Please contact Hama Product Consulting if you have any questions about this product.

Hotline: +49 9091 502-115 (German/English)

Further support information can be found here:

www.hama.com

13. Technical Data

Voltage	AC: 100-240V~60/50Hz
Output power	5 W x 2
Dimensions	345 (L) x 215 (W) x 155 (H) mm
Weight	2.2 kg

14. Recycling Information

Note on environmental protection:



After the implementation of the European Directive 2002/96/EU and 2006/66/EU in the national legal system, the following applies: Electric and electronic devices as well as batteries must not be disposed of with household waste. Consumers are obliged by law to return electrical and electronic devices as well as batteries at the end of their service lives to the public collecting points set up for this purpose or point of sale. Details to this are defined by the national law of the respective country. This symbol on the product, the instruction manual or the package indicates that a product is subject to these regulations. By recycling, reusing the materials or other forms of utilising old devices/Batteries, you are making an important contribution to protecting our environment.

15. Declaration of Conformity



Hereby, Hama GmbH & Co. KG, declares that 00106834 is in compliance with the essential requirements and other relevant provisions of Directive 1999/5/EC.

See www.hama.com for declaration of conformity according to R&TTE Directive 99/5/EC guidelines.



Note

In France this device is only to be operated indoors!

Bedienungselemente und Anzeigen (A)

1. Display
2. [POWER] (⏻) Taste
Tastendruck schaltet das Radio ein oder aus (Standby-Modus)
3. [INFO] Taste
Auf Tastendruck werden Stations-/Programminformationen angezeigt.
4. [MODE] Taste
Tastendruck schaltet zwischen Internetradio, Musikabspieler und AUX um
5. [PRESET] Taste (im Internet Modus)
Tastendruck und Halten speichert ausgewählten Sender / Tastendruck ruft gespeicherte Sender auf.
6. [MENU] Taste
Tastendruck öffnet das Menü
7. [VOL] Taste
Tastendruck aktiviert die Lautstärkeregelung mittels [SCROLL/SELECT] während der Wiedergabe
8. [BACK] Taste
Tastendruck führt zur jeweils vorhergehenden Auswahl zurück
9. [TIMER] Taste
Tastendruck aktiviert die Eieruhr, die sich mittels [SCROLL/SELECT] einstellen lässt
10. [SCROLL/SELECT] Dreh-/Druckknopf
Einstellen und Bestätigen der Auswahl
11. Montageplatte
12. Kopfhörerbuchse
13. AUX Eingang
14. DC 9V Anschluss

Vielen Dank, dass Sie sich für ein Hama Produkt entschieden haben!
Nehmen Sie sich Zeit und lesen Sie die folgenden Anweisungen und Hinweise zunächst ganz durch. Bewahren Sie diese Bedienungsanleitung anschließend an einem sicheren Ort auf, um bei Bedarf darin nachschlagen zu können.

1. Erklärung von Warnsymbolen und Hinweisen

Warnung

Wird verwendet, um Sicherheitshinweise zu kennzeichnen oder um Aufmerksamkeit auf besondere Gefahren und Risiken zu lenken.

Hinweis

Wird verwendet, um zusätzlich Informationen oder wichtige Hinweise zu kennzeichnen.

Gefahr eines elektrischen Schlages

Dieses Symbol weist auf eine Berührungsgefahr mit nicht isolierten Teilen des Produktes hin, die möglicherweise eine gefährliche Spannung von solcher Höhe führen, dass die Gefahr eines elektrischen Schlages besteht.

2. Packungsinhalt

- Internetradio
- AC-Netzadapter
- Montageplatte
- 4 Schrauben M6 x 13
- 4 Holzschrauben
- diese Bedienungsanleitung

3. Sicherheitshinweise

- Das Produkt ist für den privaten, nicht-gewerblichen Haushaltsgebrauch vorgesehen.
- Schützen Sie das Produkt vor Schmutz, Feuchtigkeit und Überhitzung und verwenden Sie es nur in trockenen Räumen.
- Dieses Produkt gehört, wie alle elektrischen Produkte, nicht in Kinderhände!
- Lassen Sie das Produkt nicht fallen und setzen Sie es keinen heftigen Erschütterungen aus.
- Betreiben Sie das Produkt nicht außerhalb seiner in den technischen Daten angegebenen Leistungsgrenzen.
- Halten Sie Kinder unbedingt von dem Verpackungsmaterial fern, es besteht Erstickungsgefahr.
- Entsorgen Sie das Verpackungsmaterial sofort gemäß den örtlich gültigen Entsorgungsvorschriften.
- Nehmen Sie keine Veränderungen am Gerät vor. Dadurch verlieren sie jegliche Gewährleistungsansprüche.

Gefahr eines elektrischen Schlages

- Öffnen Sie das Produkt nicht und betreiben Sie es bei Beschädigungen nicht weiter.
- Verwenden Sie das Produkt nicht, wenn der AC-Adapter, das Adapterkabel oder die Netzleitung beschädigt sind.
- Versuchen Sie nicht, das Produkt selbst zu warten oder zu reparieren. Überlassen Sie jegliche Wartungsarbeit dem zuständigen Fachpersonal.

4. Montage

- Befestigen Sie die mitgelieferte Montageplatte mit allen 4 Holzschrauben an der Unterseite Ihrer Hängeschränke. (B)
- Wählen Sie dazu eine geeignete Stelle aus, die das Radio weder Wärmequellen, noch Feuchtigkeit aussetzt (nicht über oder in der Nähe von Herd/Geschirrspüler/ Waschbecken).
- Schrauben Sie die vier Schrauben M6 X 13 in die dafür vorgesehenen Öffnungen an der Oberseite des Radios (C). Die Schrauben müssen ca. 3,5 mm überstehen und dürfen nicht vollständig eingeschraubt werden.
- Bringen Sie das Radio so an der Montageplatte an, daß die 4 Schrauben in allen 4 Befestigungsschienen sauber einrasten (D und E)

5. Vor der Inbetriebnahme

Überprüfen der Netzwerkverfügbarkeit für den Internet-Radioempfang

- Stellen Sie sicher, dass der Router eingeschaltet ist, korrekt funktioniert und Verbindung zum Internet besteht.
- Aktivieren Sie die WLAN Funktion ihres Routers.
- Beachten Sie bezüglich einer korrekten Funktion der WLAN-Verbindung die Bedienungsanleitung ihres Routers.
- Gehen Sie dann wie unter Pkt. 6 „Inbetriebnahme“ beschrieben direkt weiter vor.

6. Inbetriebnahme

6.1 Einschalten

- Verbinden Sie das Anschlusskabel des beiliegenden AC-Netzadapters mit dem DC 9V Anschluss Ihres Radios.
- Stecken Sie den AC-Netzadapter in eine ordnungsgemäß installierte Netzsteckdose.

Warnung

- Betreiben Sie das Produkt nur an einer dafür zugelassenen Steckdose. Die Netzsteckdose muss jederzeit leicht erreichbar sein.
 - Trennen Sie das Produkt mittels des Ein-/Ausschalters vom Netz – wenn dieser nicht vorhanden ist, ziehen Sie die Netzleitung aus der Steckdose.
-
- Warten Sie, bis der Startvorgang des Radios abgeschlossen ist.
 - Drücken Sie [POWER] (⏻), um das Radio einzuschalten.

Hinweis - beim ersten Einschalten

- Nach abgeschlossenem Startvorgang muss zunächst die Sprache ausgewählt werden.
- Drehen Sie [SCROLL/SELECT], um Ihre gewünschte Sprache auszuwählen und bestätigen Sie diese Auswahl durch Drücken von [SCROLL/SELECT].
- Nach der Spracheinstellung zeigt das Radio den Einrichtungsassistenten an.
- Drücken Sie [SCROLL/SELECT], um den Einrichtungsassistenten zu starten.
- Möchten Sie den Einstellungsassistenten nicht starten, drehen Sie [SCROLL/SELECT], um die entsprechende Auswahl zu treffen. Drücken Sie [SCROLL/SELECT], um Ihre ausgewählte, hell hinterlegte Schaltfläche zu bestätigen.

6.2 Start mit Einrichtungsassistenten

Der Einrichtungsassistent ist eine Option im Menü Systemeinstellungen. Er hilft Ihnen, sowohl Zeit und Datum einzustellen, als auch den Internetradioempfang über WLAN einzurichten.

- Drehen Sie [SCROLL/SELECT], um das 12- oder 24-Stundenformat auszuwählen und bestätigen Sie diese Auswahl durch Drücken von [SCROLL/SELECT].
- Drehen Sie [SCROLL/SELECT], um **Update von Internet** oder **Kein Update** auszuwählen und bestätigen Sie diese Auswahl durch Drücken von [SCROLL/SELECT]

Auswahl Update von Internet (Uhrzeit und Datum)

- Bei Auswahl von **Update von Internet** drehen Sie [SCROLL/SELECT], um Ihre jeweilige Zeitzone auszuwählen und bestätigen Sie diese Auswahl durch Drücken von [SCROLL/SELECT].
- Wählen Sie durch Drehen von [SCROLL/SELECT] die Verwendung der Option **Sommer-/Winterzeit** (Ein/Aus) aus und bestätigen Sie diese Auswahl durch Drücken von [SCROLL/SELECT].

Auswahl Kein Update (Uhrzeit und Datum)

Bei der Auswahl von **Kein Update** können Sie das Datum im Format TT-MM-JJJJ und die Uhrzeit manuell eingeben.

- Drehen Sie zunächst [SCROLL/SELECT], um die einzelnen Ziffern für Datum- und Uhrzeitangabe auszuwählen und bestätigen Sie die Auswahl jeweils durch Drücken von [SCROLL/SELECT].

- Wählen Sie durch Drehen von [SCROLL/SELECT] die Option Netzwerkverbindung halten? (JA/NEIN) aus und bestätigen Sie diese Auswahl durch Drücken von [SCROLL/SELECT].
- Der Netzwerkkassistentensuchlauf wird automatisch gestartet und sucht nach verfügbaren WLAN-Netzwerken.

Hinweis – Netzwerkverbindung halten

- Wählen Sie Ja für die Option Netzwerkverbindung halten aus, damit das Radio auch im Standby-Betrieb bzw. in Betriebsmodi, die keine WLAN-Verbindung benötigen (z.B. AUX-Modus), mit dem Netzwerk verbunden bleibt.
- Dadurch wird gewährleistet, dass das Radio beim Einschalten eine schnellere Verbindung zum Internet aufbauen kann, auch im Standby die aktuell genaue Uhrzeit und das Datum abrufen, usw.
- Beachten Sie, dass durch Halten der Netzwerkverbindung mehr Strom verbraucht wird als im herkömmlichen Standby-Betrieb.

- Zur Auswahl Ihres WLAN-Netzwerkes (**SSID**) drehen Sie [SCROLL/SELECT] und bestätigen diese Auswahl durch Drücken von [SCROLL/SELECT].

Eingabe des WLAN-Schlüssels

Bei ungesichertem Netzwerk entfällt dieser Abschnitt. Falls das ausgewählte Netzwerk durch ein Passwort geschützt ist, erscheint im Display **Schlüssel:**. Geben Sie das Passwort/den WLAN-Schlüssel wie folgt ein:

- Drehen Sie [SCROLL/SELECT], um Ziffern, Buchstaben oder Sonderzeichen auszuwählen und bestätigen Sie diese Auswahl durch Drücken von [SCROLL/SELECT].
- Um eine falsche Eingabe rückgängig zu machen, drehen Sie [SCROLL/SELECT] solange bis die Schaltfläche - ausgewählt ist. Bestätigen Sie diese Auswahl durch Drücken von [SCROLL/SELECT].
- Nach vollständiger und richtiger Eingabe des Passwortes/ WLAN-Schlüssels drehen Sie [SCROLL/SELECT] bis die Schaltfläche **OK** ausgewählt ist. Bestätigen Sie diese Auswahl durch Drücken von [SCROLL/SELECT]

Hinweis – WLAN-Schlüssel

- Das Radio speichert das/den Passwort/WLAN-Schlüssel nach korrekter Eingabe ab, so dass bei zukünftigen Einschaltvorgängen eine erneute Eingabe nicht notwendig ist.

- Um zur Auswahl Ihres WLAN-Netzwerkes (**SSID**) zurückzukehren, drehen Sie [SCROLL/SELECT] bis die Schaltfläche **ABBR** ausgewählt ist. Bestätigen Sie diese Auswahl durch Drücken von [SCROLL/SELECT].
- Nach dem Connecting-Vorgang erscheint im Display **Einrichtungsassistent abgeschlossen**. Drücken Sie zur Beendigung des Einrichtungsassistenten [SCROLL/SELECT]. Im Display wird **Hauptmenü** angezeigt.

6.3 Start ohne Einrichtungsassistenten

Entscheiden Sie sich gegen die Verwendung des Einrichtungsassistenten beim ersten Einschalten, haben Sie die Möglichkeit, dass beim nächsten Start des Radios der Einrichtungsassistent automatisch ausgeführt wird.

- Damit beim nächsten Start des Radios der Einrichtungsassistent automatisch ausgeführt wird, drehen Sie [SCROLL/SELECT] bis die entsprechende Schaltfläche ausgewählt ist. Bestätigen Sie diese Auswahl durch Drücken von [SCROLL/SELECT].
- Im Display wird **Hauptmenü** angezeigt

Hinweis – Einrichtungsassistent

- Der Einrichtungsassistent kann jederzeit und beliebig oft gestartet werden.
- Drehen Sie [SCROLL/SELECT] im **Hauptmenü**, bis die Option **Systemeinstellungen** ausgewählt ist. Bestätigen Sie diese Auswahl durch Drücken von [SCROLL/SELECT].
- Drehen Sie [SCROLL/SELECT] in **Systemeinstellungen** bis die Option **Einrichtungsassistent** ausgewählt ist. Bestätigen Sie diese Auswahl durch Drücken von [SCROLL/SELECT]. Der Einrichtungsassistent wird gestartet.

7. Betrieb des Internetradios

Hinweis – ins vorherige Menü

- Um in die jeweils vorhergehende Auswahl zu gelangen, drücken Sie **BACK**.

Hinweis – ins Menü

- In jedem Untermenü oder Modus gelangen Sie durch Drücken von [MENU] ins Hauptmenü.

Hinweis

- Drücken Sie wiederholt [MODE], um einfach zwischen **Internetradio, Musikabspieler und Aux in** zu wechseln.

- Drehen Sie [SCROLL/SELECT] im **Hauptmenü**, bis die Option **Internetradio** ausgewählt ist. Bestätigen Sie diese Auswahl durch Drücken von [SCROLL/SELECT].
- Drehen Sie [SCROLL/SELECT] bis die Option **Senderliste** ausgewählt ist und bestätigen Sie diese Auswahl durch Drücken von [SCROLL/SELECT].

7.1 Lokale Stationen

Die Senderliste der lokalen Stationen ist abhängig von Ihrem Standort und ändert sich automatisch. Die Senderliste Lokal „Landesname“ gibt lokale Radioprogramme wieder.

- Drehen Sie [SCROLL/SELECT] bis die Option **Lokal** „Landesname“ ausgewählt ist und bestätigen Sie diese Auswahl durch Drücken von [SCROLL/SELECT].

Die Funktion Lokal „Landesname“ bietet Ihnen die Möglichkeit, Sender einer Vorauswahl oder verschiedener Genres, z.B. Pop, Rock, Comedy, u.v.m. anzuhören.

- Drehen Sie [SCROLL/SELECT] bis die Option **Ausgewählte Sender** oder ein Genre ausgewählt ist und bestätigen Sie diese Auswahl durch Drücken von [SCROLL/SELECT].

Sie gelangen in eine Übersicht der verfügbaren Radiosender Ihrer Auswahl.

- Drehen Sie [SCROLL/SELECT] bis Ihr gewünschter Sender ausgewählt ist und bestätigen Sie diese Auswahl durch Drücken von [SCROLL/SELECT]. Der entsprechende Sender wird wiedergegeben.

Hinweis – Podcasts

- Bei einigen Sendern besteht die Möglichkeit, Podcasts anzuhören. Um diese auszuwählen, drehen Sie [SCROLL/SELECT] und bestätigen die Auswahl durch Drücken von [SCROLL/SELECT].
- Das Suchen bestimmter Podcasts funktioniert wie die Funktion Sender suchen, beschrieben in 7.2.

7.2 Sender

Das Untermenü Sender kategorisiert verschiedene Radiosender in die Optionen Länder, Genre, Populäre Sender und Neue Sender.

- Um eine Option und einen Sender auszuwählen, drehen Sie [SCROLL/SELECT] und bestätigen Sie die Auswahl durch Drücken von [SCROLL/SELECT]. Der entsprechende Sender wird wiedergegeben.

Mit der Option **Sender suchen** können Sie manuell einen bestimmten Sender suchen. Geben Sie den Suchbegriff wie folgt ein:

- Drehen Sie [SCROLL/SELECT] bis die Option **Sender suchen** ausgewählt ist und bestätigen Sie diese Auswahl durch Drücken von [SCROLL/SELECT].
- Drehen Sie [SCROLL/SELECT], um entsprechende Ziffern und Buchstaben auszuwählen und bestätigen Sie diese Auswahl jeweils durch Drücken von [SCROLL/SELECT].
- Um eine falsche Eingabe rückgängig zu machen, drehen Sie [SCROLL/SELECT] solange bis die Schaltfläche - ausgewählt ist. Bestätigen Sie diese Auswahl durch Drücken von [SCROLL/SELECT].
- Um zum Untermenü **Sender** zurückzukehren, drehen Sie [SCROLL/SELECT] bis die Schaltfläche **ABBR** ausgewählt ist und bestätigen Sie diese Auswahl durch Drücken von [SCROLL/SELECT]. Alternativ verwenden Sie **BACK**.
- Nach Eingabe des Suchbegriffs drehen Sie [SCROLL/SELECT] bis die Schaltfläche **OK** ausgewählt ist und bestätigen Sie diese Auswahl durch Drücken von [SCROLL/SELECT]. Sie erhalten eine Liste mit allen Sendern, die den Suchbegriff enthalten.
- Um einen Sender aus dieser Liste auszuwählen, drehen Sie [SCROLL/SELECT]. Bestätigen Sie die Auswahl durch Drücken von [SCROLL/SELECT]. Der entsprechende Sender wird wiedergegeben.

Hinweis – Senderverfügbarkeit

- Beachten Sie, dass manche Radiosender nicht durchgehend 24 Stunden täglich senden. Daher sind gewisse Sender nicht immer online verfügbar.

7.3 Meine hinzugefügten Radiostationen

Neben der großen Anzahl der automatisch gelisteten Radiosender haben Sie die Möglichkeit, nicht gelistete Sender hinzuzufügen. Dies können Sie über das Portal www.wifiradio-frontier.com analog zum Hinzufügen von Favoriten (siehe 7.4) vornehmen.

Hinweis

- Bei einer Zurücksetzung des Radios auf die Werkseinstellung werden die hinzugefügten Sender in **Meine hinzugefügten Radiostationen** nicht gelöscht.

7.4 Meine Favoriten

Mit dem Untermenü **Meine Favoriten** können Sie Sender aus einer Liste mit Ihren Lieblingsradiosendern auswählen. Die Sender müssen wie folgt zu der Favoritenliste hinzugefügt werden:

- Öffnen Sie auf einem internetfähigen Endgerät (z.B. Notebook, Smartphone, etc.) das Portal www.wifiradio-frontier.com.
- Registrieren Sie sich zunächst. Den dazu benötigten Zugriffscode können Sie bei aktiviertem Internetradio und bestehender WLAN Verbindung unter [MENU] > Senderliste > Hilfe > Zugriffscode erhalten anfordern.
- Fügen Sie Ihre gewünschten Radiosender hinzu.
- Schalten Sie Ihr Radio für einige Minuten aus, damit die neuen Einstellungen übernommen werden können.

Hinweis – Senderinformation

- Während ein Sender abgespielt wird, können die Informationen unter dem angezeigten Sendernamen individuell gesteuert werden. Drücken Sie [INFO], um zwischen der Anzeige von aktuellem Titel, Senderinformation, Genre, Zuverlässigkeit, Signalinformationen, Abspiel-Puffer und Datumsanzeige zu wechseln.

7.5 Sender speichern

Mit [PRESET] können Sie bis zu 10 Sender abspeichern. Dies ermöglicht Ihnen einen einfachen und schnellen Zugriff auf entsprechende Sender.

- Drücken und halten Sie [PRESET] ca. 3 Sekunden, wenn Sie den aktuell laufenden Sender auf Ihre Speicherliste setzen möchten. Es erscheint die Liste **Voreinst. speichern** mit 10 Speicherplätzen.
- Drehen Sie [SCROLL/SELECT] um einen Speicherplatz auszuwählen und bestätigen Sie diese Auswahl durch Drücken von [SCROLL/SELECT]. Der Sender wird auf dem ausgewählten Speicherplatz abgespeichert.

Hinweis – PRESET Wiedergabe

- Sie können jederzeit abgespeicherte Radiosender anhören, indem Sie [PRESET] drücken und mit [SCROLL/SELECT] den entsprechend belegten Speicherplatz auswählen.

7.6 Musikabspieler

Das Menü **Musikabspieler** bietet die Möglichkeit Musikdateien vom Computer auf dem Radio abzuspielen.

Hinweis – Musikabspieler

- Der Computer muss Ordner oder Medien (Audio-Dateien) über UPnP teilen können. Eine solche Software ist z.B. der Windows Music player 10 oder neuere Versionen.
 - Es können auch andere UPnP-Plattformen genutzt werden.
 - Beachten Sie die Angaben des Software-Herstellers und wenden sich an die Online-Hilfe oder den Support des Herstellers.
 - Achten Sie darauf, dass sich der Computer und das Radio im gleichen Netzwerk befinden.
-
- Drehen Sie [SCROLL/SELECT] bis die Option **Musikabspieler** im **Hauptmenü** ausgewählt ist und bestätigen Sie diese Auswahl durch Drücken von [SCROLL/SELECT].
 - Um verbundene Audiodateien wiederzugeben, drehen Sie [SCROLL/SELECT] bis **Playlist** ausgewählt ist und bestätigen Sie diese Auswahl durch Drücken von [SCROLL/SELECT].
 - Wählen Sie mithilfe von [SCROLL/SELECT] die gewünschten Dateien aus. Die Wiedergabe erfolgt.

Playlist

Mithilfe der Funktion Playlist können Sie eine eigene Liste mit Ihren Favoriten aus den geteilten Audiodateien erstellen.

- Um einen Track zur Playlist hinzuzufügen, drücken und halten Sie einige Sekunden [SCROLL/SELECT], wenn der Track gerade abgespielt wird. Der Track ist zu Ihrer Playlist hinzugefügt.
- Um Ihre Playlist wiederzugeben, wählen Sie mit [SCROLL/SELECT] **Playlist** im Untermenü **Musikabspieler** aus. Wählen Sie mit [SCROLL/SELECT] den gewünschten Track aus. Die Playlist wird ab diesem Track wiedergegeben.
- Wählen Sie mit [SCROLL/SELECT] **Wiederholen: An** oder **Wiederholen: Aus** im Untermenü **Musikabspieler** aus. Drücken Sie [SCROLL/SELECT], um den Wiederholungsmodus (An, Aus) zu wählen.
- Wählen Sie mit [SCROLL/SELECT] **Shuffle: An** oder **Shuffle: Aus** im Untermenü **Musikabspieler** aus. Drücken Sie [SCROLL/SELECT], um den Zufallswiederholungsmodus (An, Aus) zu wählen.

- Um die Playlist zu leeren, wählen Sie mit [SCROLL/SELECT] **Playlist leeren** im Untermenü **Musikabspieler** aus und bestätigen Sie durch Drücken von [SCROLL/SELECT] **JA**. Die Playlist samt allen Tracks wird auf dem Radio gelöscht.

7.7 AUX-Modus

Das Menü AUX-Modus ermöglicht den Anschluss an einen MP3-Player oder ein anderes Audio-Endgerät mithilfe eines 3,5 mm-Audiokabels am AUX-Eingang (13).

- Wählen Sie mit [SCROLL/SELECT] **Auxiliary Input** im **Hauptmenü** aus, um die Audiodateien des Endgerätes auf dem Radio abzuspielen.

Hinweis – Lautstärke im AUX-Modus

- Um ein optimales Lautstärke-Level im AUX-Modus zu erreichen, ist es unter Umständen notwendig, die Lautstärke zusätzlich am Audio-Endgerät zu regeln.

8. Weck- und Schlummerfunktion

Hinweis – Eigenschaften Weckfunktion

- Das Radio ermöglicht zwei individuell einstellbare Weckzeiten.
- Der Alarm kann durch einen Alarmton oder einen vorher eingestellten Radiosender erfolgen.

8.1 Einstellen der Weckfunktion

- Drehen Sie [SCROLL/SELECT] im **Hauptmenü**, bis die Option **Wecker** ausgewählt ist. Bestätigen Sie diese Auswahl durch Drücken von [SCROLL/SELECT].
- Wählen Sie durch Drehen und Drücken von [SCROLL/SELECT] **Wecker 1** oder **Wecker 2** aus.
- Drehen Sie [SCROLL/SELECT], um **Modus (Aus, Täglich, Einmal, Wochenende, Werktag)** auszuwählen und bestätigen Sie diese Auswahl durch Drücken von [SCROLL/SELECT].
- Drehen Sie [SCROLL/SELECT], um **Datum** und **Uhrzeit** einzustellen und bestätigen Sie diese Auswahl durch Drücken von [SCROLL/SELECT].
- Drehen Sie [SCROLL/SELECT], um den **Modus (Summer oder Internetradio)** auszuwählen und bestätigen Sie diese Auswahl durch Drücken von [SCROLL/SELECT].
- Haben Sie den Modus Internetradio ausgewählt, drehen und drücken Sie [SCROLL/SELECT], um das Programm auszuwählen. Sie können sich entweder durch den zuletzt gehörten Sender oder einen der abgespeicherten Sender wecken lassen.
- Drehen Sie [SCROLL/SELECT], um die **Lautstärke** auszuwählen, mit der Sie geweckt werden möchten, und bestätigen Sie diese Auswahl durch Drücken von [SCROLL/SELECT].

- Drehen Sie [SCROLL/SELECT] bis die Option **Speichern** ausgewählt ist und bestätigen Sie diese Auswahl durch Drücken von [SCROLL/SELECT]. Der Wecker ist hiermit aktiviert. Im Display (Standby-Modus) wird ein Glockensymbol mit der Ziffer 1 und/oder 2 und die eingestellte Weckzeit angezeigt.
- Die Einstellung der Weckzeit ist jetzt abgeschlossen

Hinweis

- Wiederholen Sie den kompletten Vorgang für den zweiten Wecker (1 oder 2), wenn gewünscht.
- Je nach Einstellung des Modus wiederholt sich der Alarm täglich, nur am Wochenende oder an Werktagen.
- Wenn der Summer oder das Internetradio zur eingestellten Zeit angeht, drücken Sie [POWER] (⏻), um den Wecker auszuschalten.
- Um eine Weckfunktion komplett auszuschalten, stellen Sie den **Modus** des Weckers (1 oder 2) auf **Aus**.


8.2 Snoozefunktion

Hinweis

- Die Snoozefunktion wirkt sich jeweils nur auf den aktuell aktiven Wecker aus – ertönt innerhalb der Aktivität eines Weckers der zweite, muss dieser separat mit der Snoozefunktion unterbrochen werden.
- Drücken Sie [SCROLL/SELECT], wenn Sie den Wecker unterbrechen, aber nicht vollständig abschalten möchten. Je nachdem wie oft Sie [SCROLL/SELECT] drücken, schaltet sich der Wecker nach 5, 10, 15, 30 oder 60 Minuten Ruhe erneut an. Die aktive Snoozezeit wird im Display angezeigt.
- Um den Wecker komplett auszuschalten, stellen Sie den **Modus** des Weckers (1 oder 2) auf **Aus**.

8.3 Schlummerfunktion

Hinweis

- Das Display zeigt die aktivierte Schlummerfunktion durch das Symbol  und eine Ziffer an, wobei die Ziffer die ausgewählte Zeit repräsentiert (z.B. 30 = Timer aktiv, automatisches Abschalten nach 30 min).
- Das Radio schaltet sich nach der ausgewählten Zeit automatisch ab.

- Drehen Sie [SCROLL/SELECT] im **Hauptmenü**, bis die Option **Schlummer** ausgewählt ist. Bestätigen Sie diese Auswahl durch Drücken von [SCROLL/SELECT].
- Drehen Sie [SCROLL/SELECT], um die Schlummerzeit (aus, 15, 30, 45 oder 60 min) auszuwählen und bestätigen Sie diese Auswahl durch Drücken von [SCROLL/SELECT].
- Das Radio schaltet sich automatisch nach der ausgewählten Zeit ab.

8.4. Eieruhr

- Drücken Sie [TIMER], um die Eieruhr einzustellen.
- Alternativ drehen Sie [SCROLL/SELECT] im **Hauptmenü**, bis die Option **Eieruhr** ausgewählt ist.
- Bestätigen Sie diese Auswahl durch Drücken von [SCROLL/SELECT].
- Drehen Sie [SCROLL/SELECT], um eine Zeitspanne zwischen 0 und 99 Minuten auszuwählen.
- Bestätigen Sie diese Auswahl durch Drücken von [SCROLL/SELECT].
- Nach Ablauf der eingestellten Zeitspanne ertönt ein Alarmton. Drücken Sie [TIMER], um die Eieruhr zu stoppen. Andernfalls endet der Alarmton automatisch nach 30 Minuten.

Hinweis

- Drücken Sie [TIMER], um sich die aktuell verbleibende Zeit der Eieruhr anzeigen zu lassen.
- Um die Eieruhr vor Ablauf der Zeitspanne abzuschalten, drücken Sie [TIMER] und wählen Sie durch Drehen und Drücken von [SCROLL/SELECT] 0 Minuten aus. Die Eieruhr ist dann deaktiviert.
- Die Lautstärke des Alarmtons kann nicht manuell eingestellt werden. Sie steigert sich automatisch bis auf das Lautstärkelevel 16.

9. Weitere Funktionen

Um ins Untermenü Systemeinstellungen zu gelangen, drehen Sie [SCROLL/SELECT] im **Hauptmenü**, bis die Option **Systemeinstellungen** ausgewählt ist. Bestätigen Sie diese Auswahl durch Drücken von [SCROLL/SELECT].

9.1 Equalizer

Mit dem Untermenü Equalizer können Sie aus verschiedenen Equalizer-Modi auswählen oder Ihre eigenen Einstellungen vornehmen.

- Wählen Sie mit [SCROLL/SELECT] **Equalizer** im Untermenü **Systemeinstellungen** aus.
- Drehen Sie [SCROLL/SELECT], um den gewünschten Modus auszuwählen. Bestätigen Sie diese Auswahl durch Drücken von [SCROLL/SELECT].
- Wählen Sie mit [SCROLL/SELECT] **Meine EQ-Einstellung** aus, um Ihre individuelle Höhen-, Bass- und Loudness-Einstellungen vorzunehmen.

9.2 Interneteinstellungen

Mit den Interneteinstellungen können verschiedene Optionen wie Netzwerkassistent, PBC Wlan Aufbau, Einstellungen anzeigen, Manuelle Einstellungen, Netzwerkprofile entfernen und Netzwerkverbindung halten ausgewählt und eingestellt werden.

- Wählen Sie mit [SCROLL/SELECT] **Interneteinstellungen** im Untermenü **Systemeinstellungen** aus. Sie können die einzelnen Optionen mit [SCROLL/SELECT] auswählen, einstellen und bestätigen.

Die Funktionen der einzelnen Optionen:

• **Netzwerkassistent:**

Das Radio durchsucht automatisch die Umgebung nach vorhandenen WLAN-Netzen. Nach Abschluss des Suchvorgangs erhalten Sie eine Übersicht über die vorhandenen Netze oder die Möglichkeit eine Internetverbindung manuell zu konfigurieren.

• **PBC Wlan Aufbau:**

Geräte, welche die Verbindung über WPS (Wi-Fi Protected Setup) unterstützen, werden in der Liste durch WPS gekennzeichnet. Sollten Sie die Verbindung per WPS herstellen wollen, Drücken Sie [SCROLL/SELECT], nachdem Sie die gewünschte SSID (Service Set Identifier Bezeichnung des Netzwerks) ausgewählt haben. Das Radio bietet im Anschluss die Möglichkeit, WPS durch Tastendruck oder per PIN zu initiieren. Folgen Sie bzgl. der WPS Verbindung den Anweisungen auf dem Display des Radios. Konsultieren Sie dazu auch das Handbuch Ihres Routers oder Access-Points. Drücken Sie anschließend [SCROLL/SELECT], um die Verbindung der beiden Geräte herzustellen. Bei der PIN-Methode erstellt das Radio eine 8-stellige Zahl, welche Sie an der Gegenstelle eingeben müssen. Nach Eingabe der PIN drücken Sie [SCROLL/SELECT], um beide Geräte zu verbinden.

• **Einstellungen anzeigen:**

Hier finden Sie eine Übersicht über alle bestehenden Netzwerkeinstellungen, die das Radio aktuell verwendet.

• **Manuelle Einstellungen:**

Sollten Sie Ihr WLAN-Netzwerk nicht mit dem Assistenten finden können oder Probleme bei der Verbindung auftreten, können Sie die Netzwerkverbindung manuell konfigurieren. Dies ist auch nötig, wenn Ihr Router/ AccessPoint keine automatische Zuweisung von IP-Adressen (DHCP inaktiv) unterstützt.

Hinweis

Sie müssen die gesamte Netzwerkkonfiguration (IP-Adresse, Subnet-Mask, Gateway-Adresse, Primär DNS, Sekundär DNS) in die folgenden Masken eingeben. Die Auswahl der einzelnen Stellen erfolgt durch Drehen und Drücken von [SCROLL/SELECT]. Die benötigten Informationen für das Netzwerk entnehmen Sie Ihrer eigenen Netzwerkkonfiguration oder erfragen diese bei Ihrem Netzwerkadministrator. Nachdem alle benötigten Daten eingegeben wurden, versucht das Radio sich mit dem Netzwerk zu verbinden.

Option 1:

Drahtlos > [SCROLL/SELECT] Taste

DHCP aktiv > [SCROLL/SELECT] Taste

SSID > Eingabe der SSID

*Sollten Sie über ein verstecktes oder nicht auffindbares WLAN-Netzwerk verfügen, müssen Sie durch Drehen und Drücken von [SCROLL/SELECT] die benötigte Netzwerkkennung (SSID) eingeben und mit **OK** bestätigen.*

Nach Eingabe der Netzwerkkennung kommen Sie zur Auswahl der Verschlüsselungsmethode. Abhängig von Ihrer Netzwerkkonfiguration, wählen Sie eine der folgenden Optionen:

Offen > [SCROLL/SELECT] > (nicht erlaubt/WEP)

Oder

PSK > [SCROLL/SELECT] > (nicht erlaubt/WEP)

Oder

WPA > [SCROLL/SELECT] > (TKIP/AES)

Oder

WPA2 > [SCROLL/SELECT] > (TKIP/AES)

Hinweis

Bei den Methoden PSK, WPA und WPA2 müssen Sie im Anschluss noch den benötigten Netzwerkschlüssel, durch Drücken und Drehen von [SCROLL/SELECT], in die Eingabemaske eingeben und mit **OK** bestätigen. Im Anschluss versucht das Radio die Verbindung aufzubauen. (SSID, Verschlüsselung und Schlüssel hängen von der Konfiguration Ihres Zugangspunktes ab).

Option 2:

Drahtlos > [SCROLL/SELECT]

DHCP inaktiv > [SCROLL/SELECT]

Hinweis

Sie müssen die gesamte Netzwerkkonfiguration (IP-Adresse, Subnet-Mask, Gateway-Adresse, Primär DNS, Sekundär DNS) in die folgenden Masken eingeben. Die Auswahl der einzelnen Stellen erfolgt durch Drehen und Drücken von [SCROLL/SELECT]. Die benötigten Informationen für das Netzwerk entnehmen Sie Ihrer eigenen Netzwerkkonfiguration oder erfragen diese bei Ihrem Netzwerkadministrator. Nachdem alle benötigten Daten eingegeben wurden, versucht das Radio sich mit dem Netzwerk zu verbinden.

SSID > Eingabe der SSID

Hinweis

Sollten Sie über ein verstecktes oder nicht auffindbares WLAN-Netzwerk verfügen, müssen Sie durch Drehen und Drücken von [SCROLL/SELECT] die benötigte Netzwerkkennung (SSID) eingeben und mit **OK** bestätigen.

Nach Eingabe der Netzwerkkennung kommen Sie zur Auswahl der Verschlüsselungsmethode. Abhängig von Ihrer Netzwerkkonfiguration, wählen Sie eine der folgenden Optionen:

Offen > [SCROLL/SELECT] > (nicht erlaubt/WEP)

Oder

PSK > [SCROLL/SELECT] > (nicht erlaubt/WEP)

Oder

WPA > [SCROLL/SELECT] > (TKIP/AES)

Oder

WPA2 > [SCROLL/SELECT] > (TKIP/AES)

Hinweis

Bei den Methoden PSK, WPA und WPA2 müssen Sie im Anschluss noch den benötigten Netzwerkschlüssel, durch Drücken und Drehen von [SCROLL/SELECT], in die Eingabemaske eingeben und mit **OK** bestätigen. Im Anschluss versucht das Radio die Verbindung aufzubauen. (SSID, Verschlüsselung und Schlüssel hängen von der Konfiguration Ihres Zugangspunktes ab).

• **Netzwerkprofil entfernen:**

Das Radio speichert bisher verwendete Profile ab, auf die Sie bei wechselnden Aufstellorten zurückgreifen können. Diese Profile beziehen sich auf WLAN-Netze, in die sich das Radio erfolgreich eingewählt hat. Bei dem Versuch, sich mit diesem Netzwerk zu verbinden, prüft das Radio diese Profile automatisch ab und nutzt die gespeicherten Daten. Um diese Profile zu löschen, wählen Sie das Profil durch Drehen und Drücken von [SCROLL/SELECT] und bestätigen Sie die Abfrage zum Löschen des Profils mit **Ja**. Ein derzeit aktives Profil kann nicht gelöscht werden.

9.3 Zeit- und Datumseinstellungen

Mit den Zeiteinstellungen können die verschiedenen Optionen Zeit, Datum, automatisches Update, Format, Zeitzone und Sommer-/Winterzeit ausgewählt und eingestellt werden.

- Wählen Sie mit [SCROLL/SELECT] **Zeiteinstellungen** im Untermenü **Systemeinstellungen** aus. Sie können die einzelnen Optionen mit [SCROLL/SELECT] auswählen, einstellen und bestätigen.

9.4 Spracheinstellung

Die Standardsprache ab Werk ist Englisch.

- Um die Sprache zu ändern, wählen Sie mit [SCROLL/SELECT] **Sprache** im Untermenü **Systemeinstellungen** aus. Sie können die gewünschte Sprache mit [SCROLL/SELECT] auswählen und bestätigen.

9.5 Werkseinstellung

- Um das Radio auf die Werkseinstellungen zurückzusetzen, wählen Sie mit [SCROLL/SELECT] **Werkseinstellung** im Untermenü **Systemeinstellungen** aus.
- Bestätigen Sie die Auswahl durch Drücken von [SCROLL/SELECT].

Warnung

- Alle gespeicherten Presets, Zeit- und Datumseinstellungen, Wecker und Passwort/WLAN-Schlüssel gehen durch das Zurücksetzen auf die Werkseinstellungen verloren!

9.6 Software Update

In verschiedenen Zeitabständen sind neue Software-Updates für das Radio zur Fehlerbehebung und/oder Bereitstellung zusätzlicher Features verfügbar.

- Um das Radio auf verfügbare Software-Updates zu prüfen, wählen Sie mit [SCROLL/SELECT] **Software update** im Untermenü **Systemeinstellungen** aus.

- Drehen Sie [SCROLL/SELECT], um **Automatische Updates** auszuwählen und bestätigen Sie diese Auswahl durch Drücken von [SCROLL/SELECT]. Sie können nun einstellen, dass das Radio in periodischen Abständen automatisch nach neuen Software-Versionen sucht. Sobald eine neue Software-Version verfügbar ist, erhalten Sie einen Hinweis.
- Drehen Sie [SCROLL/SELECT], um **Update suchen** auszuwählen und bestätigen Sie diese Auswahl durch Drücken von [SCROLL/SELECT]. Das Radio sucht sofort nach verfügbaren Software-Updates und startet dann das Upgrade der neuen Version automatisch.

Warnung

- Achten Sie darauf, dass eine stabile Stromversorgung besteht, bevor Sie ein Software-Update starten. Die Stromunterbrechung während eines Software-Updates kann irreparable Schäden am Radio hervorrufen!

9.7 Informationen

- Um Informationen über die Firmware-Version des Radios zu erhalten, wählen Sie mit [SCROLL/SELECT] **Info** im Untermenü **Systemeinstellungen** aus.

9.8 Displaybeleuchtung

Dieses Radio verfügt über eine in drei Stufen (Hoch, Medium, Gering) dimmbare Displaybeleuchtung.

- Um die Displaybeleuchtung einzustellen, wählen Sie mit [SCROLL/SELECT] **Rücklicht** im Untermenü **Systemeinstellungen** aus.
- Wählen Sie mit [SCROLL/SELECT] aus, ob Sie die Beleuchtung des Radios im eingeschalteten Zustand (**Eingeschaltet**) oder im Standby (**Standbymodus**) einstellen möchten und bestätigen Sie diese Auswahl durch Drücken von [SCROLL/SELECT].
- Drehen Sie [SCROLL/SELECT], um die jeweilige Beleuchtung auf **Hoch**, **Medium** oder **Gering** einzustellen und bestätigen Sie diese Auswahl durch Drücken von [SCROLL/SELECT].
- Wählen Sie mit [SCROLL/SELECT] ein Timeout-Intervall für den Standbymodus aus. Das Radio behält - nach Abschalten in den Standbymodus - die Hintergrundbeleuchtung des Betriebsmodus für das ausgewählte Timeout-Zeitintervall bei, bevor die ausgewählte Hintergrundbeleuchtung des Standbymodus einsetzt.

9.9 Kopfhörer-Anschluss

- Auf der Seite des Radios befindet sich ein Kopfhöreranschluss (12), der für Kopfhörer mit einem 3.5mm Stereoklinkenstecker geeignet ist.
- Bei Verwendung eines Kopfhörers deaktivieren sich die eingebauten Lautsprecher automatisch.

Hinweis – Standby (gilt nur für AUX-Modus)

Bei aktivierter Auto-Standby-Funktion schaltet sich das Radio automatisch in den Standby-Modus, wenn es länger als eine Stunde durchgehend nicht benutzt wird.

9.10. Auto-Standby

- Um das Auto-Standby einzustellen, wählen Sie mit [SCROLL/SELECT] AUX: Auto-Standby im Untermenü Systemeinstellungen aus.
- Drehen Sie [SCROLL/SELECT], um das automatische Abschalten in den Standbymodus nach einer Stunde zu aktivieren/ deaktivieren. Bestätigen Sie die Auswahl durch Drücken von [SCROLL/SELECT].

10. Wartung und Pflege

Reinigen Sie dieses Produkt nur mit einem fusselfreien, leicht feuchten Tuch und verwenden Sie keine aggressiven Reiniger.

11. Gewährleistungsausschluß

Die Hama GmbH & Co. KG übernimmt keinerlei Haftung oder Gewährleistung für Schäden, die aus unsachgemäßer Installation, Montage und unsachgemäßem Gebrauch des Produktes oder einer Nichtbeachtung der Bedienungsanleitung und/oder der Sicherheitshinweise resultieren.

12. Service und Support

Bitte wenden Sie sich bei Fragen zum Produkt gerne an die Hama-Produktberatung.

Hotline: +49 9091 502-115 (Deu/Eng)

Weitere Supportinformationen finden sie hier:

www.hama.com

13. Technische Daten

Spannung	AC: 100-240V~60/50Hz
Ausgangsleistung:	2 W x 2
Abmessungen	246 (L) x 86.5 (W) x 126 (H) mm
Gewicht	1.26 kg


14. Entsorgungshinweise

Hinweis zum Umweltschutz:



Ab dem Zeitpunkt der Umsetzung der europäischen Richtlinien 2002/96/EG und 2006/66/EG in nationales Recht gilt folgendes: Elektrische und elektronische Geräte sowie Batterien dürfen nicht mit dem Hausmüll entsorgt werden. Der Verbraucher ist gesetzlich verpflichtet, elektrische und elektronische Geräte sowie Batterien am Ende ihrer Lebensdauer an den dafür eingerichteten, öffentlichen Sammelstellen oder an die Verkaufsstelle zurückzugeben. Einzelheiten dazu regelt das jeweilige Landesrecht. Das Symbol auf dem Produkt, der Gebrauchsanleitung oder der Verpackung weist auf diese Bestimmungen hin. Mit der Wiederverwertung, der stofflichen Verwertung oder anderen Formen der Verwertung von Altgeräten/Batterien leisten Sie einen wichtigen Beitrag zum Schutz unserer Umwelt.

15. Konformitätserklärung

 Hiermit erklärt Hama GmbH & Co. KG, dass sich dieses Gerät in Übereinstimmung mit den grundlegenden Anforderungen und den übrigen einschlägigen Bestimmungen der Richtlinie 1999/5/EG befindet. Die Konformitäts-erklärung nach der R&TTE Richtlinie 99/5/EG finden Sie unter www.hama.com.

Hinweis

Dieses Gerät darf in Frankreich nur in geschlossenen Räumen verwendet werden!

Éléments de commande et d'affichage (Pic.1)

1. Écran
2. Touche [POWER] (🔌)
Appuyez sur cette touche afin de mettre la radio sous/hors tension (mode veille).
3. Touche [INFO]
Appuyez sur cette touche afin d'afficher les informations concernant la station / les programmes.
4. Touche [MODE]
Appuyez sur cette touche afin de commuter entre radio internet, lecteur Média et AUX.
5. Touche [PRESET] (en mode internet)
Maintenez cette touche enfoncée afin de mettre la station concernée en mémoire / appuyez sur cette touche afin de sélectionner la station en mémoire.
6. Touche [MENU]
Appuyez sur cette touche afin d'ouvrir le menu.
7. Touche [VOL]
Appuyez sur cette touche afin d'activer le réglage du volume pendant la lecture à l'aide de la molette [SCROLL/SELECT].
8. Touche [BACK]
Appuyez sur cette touche afin de retourner à la sélection précédente.
9. Touche [TIMER]
Appuyez sur la touche pour activer la minuterie ; vous pouvez la paramétrer à l'aide de de la molette [SCROLL/SELECT].
10. Molette [SCROLL/SELECT]
Réglage et confirmation de la sélection
11. Plaque de montage
12. rise de casque
13. Entrée AUX
14. Connexion CC 9 V

Nous vous remercions d'avoir choisi un produit Hama. Veuillez prendre le temps de lire l'ensemble des remarques et consignes suivantes. Veuillez conserver ce mode d'emploi à portée de main afin de pouvoir le consulter en cas de besoin. Transmettez-le au nouveau propriétaire avec l'appareil le cas échéant.

1. Explication des symboles d'avertissement et des remarques**Avertissement**

Ce symbole est utilisé pour indiquer des consignes de sécurité ou pour attirer votre attention sur des dangers et risques particuliers.

**Remarque**

Ce symbole est utilisé pour indiquer des informations supplémentaires ou des remarques importantes.

**Risque d'électrocution**

Ce symbole indique un risque de contact avec des parties non isolées du produit susceptibles de conduire un courant électrique capable de provoquer un risque d'électrocution.

2. Contenu de l'emballage

- Radio internet
- Adaptateur secteur CA
- Plaque de montage
- 4 vis M6 x 13
- 4 vis à bois
- Mode d'emploi

3. Consignes de sécurité

- Ce produit est destiné à une installation domestique non commerciale.
- Protégez le produit de toute saleté, humidité, surchauffe et utilisez-le uniquement dans des locaux secs.
- Cet appareil, comme tout appareil électrique, doit être gardé hors de portée des enfants !
- Protégez le produit des secousses violentes et évitez tout choc ou toute chute.
- N'utilisez pas le produit en dehors des limites de puissance indiquées dans les caractéristiques techniques.
- Tenez les emballages d'appareils hors de portée des enfants, risque d'étouffement.
- Recyclez les matériaux d'emballage conformément aux prescriptions locales en vigueur.
- N'apportez aucune modification à l'appareil. Des modifications vous feraient perdre vos droits de garantie.

**Risque d'électrocution**

- Ne tentez pas d'ouvrir le produit en cas de détérioration et cessez de l'utiliser.
- Cessez d'utiliser le produit si l'adaptateur CA, le câble adaptateur ou le câble d'alimentation est endommagé.
- N'ouvrez pas l'appareil et cessez de l'utiliser en cas de détérioration, de dégagement de fumée, de formation d'odeurs ou de niveau de bruit élevé. Adressez-vous dans les plus brefs délais à votre revendeur ou à notre service clientèle (voir point Service et assistance).

4. Montage

- Fixez la plaque de montage fournie sur la surface inférieure de vos éléments muraux à l'aide des 4 vis à bois.
- Sélectionnez un endroit où la radio ne sera pas exposée à une source de chaleur ou une humidité excessive (évituez la proximité de cuisinières/lave-vaisselle/lavabos).
- Insérez les quatre vis M6 X 13 dans les orifices de la surface supérieure de la radio prévus à cet effet (fig.2). Les vis doivent dépasser d'environ 3,5 mm et ne doivent pas être entièrement vissées.
- Placez la radio sur la plaque de montage de telle sorte que les 4 vis s'insèrent correctement dans les 4 rails de fixation (fig.3 et 4)

5. Avant la mise en service

Contrôle de la disponibilité du réseau pour la réception radio internet

- Veuillez contrôler que le routeur est bien sous tension, qu'il fonctionne normalement et que la connexion internet est bien établie.
- Activez la fonction WiFi de votre routeur.
- Veuillez consulter le mode d'emploi de votre routeur pour toute question concernant la connexion WiFi (réseau sans fil).
- Continuez à l'étape 6 „Mise en service“.

6. Mise en service

6.1 Mise sous tension

- Raccordez le câble du bloc secteur fourni à la prise CC 9 V de votre radio.
- Raccordez le bloc secteur fourni à une prise électrique.



Avertissement

- Branchez l'appareil à une prise de courant appropriée. La prise de courant doit être facilement accessible à tout moment.
 - Coupez le produit du secteur à l'aide de l'interrupteur débranchez la prise de courant en cas d'absence d'interrupteur.
- Veuillez patienter jusqu'à la fin de la procédure de démarrage de la radio.
 - Appuyez sur la touche [POWER] (⏻) afin de mettre la radio sous tension.



Première mise sous tension

- Sélectionnez votre langue à la fin de la procédure de démarrage.
- Tournez la molette [SCROLL/SELECT] afin de sélectionner votre langue, puis confirmez votre sélection en appuyant sur la molette [SCROLL/SELECT].
- L'assistant de configuration apparaît à l'écran après avoir sélectionné la langue.
- Appuyez sur la molette [SCROLL/SELECT] afin de lancer l'assistant réglages.
- Tournez la molette [SCROLL/SELECT] dans la direction concernée si vous ne désirez pas lancer l'assistant. Appuyez sur la molette [SCROLL/SELECT] afin de confirmer l'option (en clair) que vous avez sélectionnée.

6.2 Démarrage à l'aide de l'assistant réglages

L'assistant réglages est une option du menu Paramètres système. Il vous aide à régler l'heure et la date ainsi qu'à configurer la réception radio internet via WiFi.

- Tournez la molette [SCROLL/SELECT] afin de sélectionner le format horaire 12/24 heures, puis confirmez votre sélection en appuyant sur la molette [SCROLL/SELECT].
- Tournez la molette [SCROLL/SELECT] afin de sélectionner **Mise à jour internet** ou **Pas de mise à jour**, puis confirmez votre sélection en appuyant sur la molette [SCROLL/SELECT].

Sélection Mise à jour internet (heure et la date)

- En cas de sélection de la **Mise à jour internet**, tournez la molette [SCROLL/SELECT] afin de sélectionner votre fuseau horaire, puis confirmez votre sélection en appuyant sur la molette [SCROLL/SELECT].
- Utilisez la molette [SCROLL/SELECT] afin d'appliquer l'option **heure d'été/heure d'hiver** (on/off), puis confirmez votre sélection en appuyant sur la molette [SCROLL/SELECT].

Sélection Pas de mise à jour (heure et la date)

- Vous pouvez saisir manuellement la date au format JJ-MM-AAAA et l'heure si vous sélectionnez **Pas de mise à jour**.

- Tournez la molette [SCROLL/SELECT] afin de sélectionner l'option « Maintenir la connexion réseau ? ». Sélectionnez (OUI/NON), puis confirmez votre sélection en appuyant sur la molette [SCROLL/SELECT].
- L'assistant de recherche de réseaux démarre automatiquement et recherche les réseaux WiFi disponibles.

Remarque – maintien de la connexion réseau

- Sélectionnez « Oui » pour appliquer l'option « Maintenir le connexion réseau » ; la radio restera alors connectée au réseau, même en veille ou dans un mode ne requérant pas de connexion réseau (mode AUX, par exemple).
- Cette configuration vous garantit un établissement de connexion à internet plus rapide lors de la mise sous tension de la radio ; elle continuera à rechercher l'heure et la date exactes en veille.
- Veuillez noter que le maintien de la connexion réseau consomme davantage d'énergie que le mode veille traditionnel.

- Tournez la molette [SCROLL/SELECT] afin de sélectionner la zone WiFi, puis confirmez votre sélection en appuyant sur la molette [SCROLL/SELECT].

Saisie de la clé WiFi

Veuillez ignorer ce paragraphe en présence d'un réseau non sécurisé. Clé : apparaît à l'écran dans le cas où le réseau sélectionné est protégé par une clé. Saisissez le mot de passe / la clé WiFi comme suit :

- Tournez la molette [SCROLL/SELECT] afin de sélectionner les chiffres, lettres ou caractères spéciaux, puis confirmez votre sélection en appuyant sur la molette [SCROLL/SELECT].
- Pour supprimer une saisie incorrecte, tournez la molette [SCROLL/SELECT] jusqu'à obtention de l'option **BKSP**. Confirmez votre sélection en appuyant sur la molette [SCROLL/SELECT].
- Après avoir saisi correctement le mot de passe / la clé WiFi, tournez la molette [SCROLL/SELECT] jusqu'à la sélection de l'option **OK**. Confirmez votre sélection en appuyant sur la molette [SCROLL/SELECT].

Clé WiFi

- La radio mémorise le mot de passe / la clé WiFi après la saisie ; vous ne devrez plus saisir ce mot de passe / cette clé lorsque vous mettrez à nouveau la radio sous tension.

- Pour retourner à la sélection de votre réseau WiFi (**SSID**), tournez la molette [SCROLL/SELECT] jusqu'à la sélection de l'option **ANNULER**. Confirmez votre sélection en appuyant sur la molette [SCROLL/SELECT].
- A la fin de la procédure de connexion, **Assistant réglages terminé apparaît** à l'écran. Appuyez sur la molette [SCROLL/SELECT] afin de quitter l'assistant réglages. **Menu principal** apparaît à l'écran.

6.3 Démarrage sans l'assistant réglages

Vous pouvez également lancer l'assistant réglages lors de la deuxième mise en service de la radio si vous ne désirez pas l'utiliser lors de la première mise en service.

- Pour lancer automatiquement l'assistant réglages lors de la mise en service suivante, tournez la molette [SCROLL/SELECT] jusqu'à la sélection de l'option concernée. Confirmez votre sélection en appuyant sur la molette [SCROLL/SELECT].
- **Menu principal** apparaît à l'écran.

Assistant réglages

- Vous pouvez lancer l'assistant réglages autant de fois que vous le désirez.
- Tournez la molette [SCROLL/SELECT] dans le **Menu principal** jusqu'à la sélection de l'option **Paramètres système**. Confirmez votre sélection en appuyant sur la molette [SCROLL/SELECT].
- Tournez la molette [SCROLL/SELECT] dans les **Paramètres système** jusqu'à la sélection de l'option **Assistant réglages**. Confirmez votre sélection en appuyant sur la molette [SCROLL/SELECT]. L'assistant réglages démarre.

7. Fonctionnement de la radio internet

Retour au menu précédent

- Appuyez sur la touche **BACK** afin de retourner au menu précédent.

Remarque – vers le menu principal

- Appuyez sur la touche [MENU] afin d'accéder au menu principal, à tous les sous-menus ou aux différents modes.

Remarque

- Appuyez plusieurs fois sur la touche [MODE] afin de commuter entre radio internet, lecteur de musique et AUX IN.

- Tournez la molette [SCROLL/SELECT] dans le **Menu principal** jusqu'à la sélection de l'option **Radio internet**. Confirmez votre sélection en appuyant sur la molette [SCROLL/SELECT].
- Tournez la molette [SCROLL/SELECT] jusqu'à la sélection de l'option **Liste des stations**, puis confirmez votre sélection en appuyant sur la molette [SCROLL/SELECT].

7.1 Stations locales

La liste des stations locales est composée en fonction de votre lieu de résidence et est modifiée automatiquement. La liste de stations Local „Nom du pays” reproduit les programmes radio locaux.

- Tournez la molette [SCROLL/SELECT] jusqu'à la sélection de l'option „Nom du pays”, puis confirmez votre sélection en appuyant sur la molette [SCROLL/SELECT].

La fonction Local „Nom du pays” vous permet d'écouter les stations correspondant à une présélection ou à un genre spécifique (pop, rock, comedy, etc.).

- Tournez la molette [SCROLL/SELECT] jusqu'à la sélection de l'option **Stations sélectionnées** ou la sélection d'un genre, puis confirmez votre sélection en appuyant sur la molette [SCROLL/SELECT].

Vous obtiendrez un aperçu des stations disponibles correspondant à votre sélection.

- Tournez la molette [SCROLL/SELECT] jusqu'à la sélection de la station que vous désirez écouter, puis confirmez votre sélection en appuyant sur la molette [SCROLL/SELECT]. La lecture de la station sélectionnée démarre.

Podcasts

- Certaines stations vous permettent d'écouter des podcasts. Pour écouter un podcast, tournez la molette [SCROLL/SELECT], puis confirmez votre sélection en appuyant sur la molette [SCROLL/SELECT].
- La recherche de podcasts est identique à la fonction recherche de stations, décrite au point 7.2

7.2 Stations

Le sous-menu Stations trie les différentes stations en catégories en fonction des options pays, genre, stations populaires et nouvelles stations.

- Pour sélectionner une option ou une station, tournez la molette [SCROLL/SELECT], puis confirmez votre sélection en appuyant sur la molette [SCROLL/SELECT]. La lecture de la station sélectionnée démarre.

L'option **Recherche de stations** vous permet de syntoniser manuellement une station. Saisissez le terme de recherche comme suit :

- Tournez la molette [SCROLL/SELECT] jusqu'à la sélection de l'option **Liste des stations**, puis confirmez votre sélection en appuyant sur la molette [SCROLL/SELECT].
- Tournez la molette [SCROLL/SELECT] afin de sélectionner des chiffres et lettres, puis confirmez votre sélection en appuyant sur la molette [SCROLL/SELECT].
- Pour supprimer une saisie incorrecte, tournez la molette [SCROLL/SELECT] jusqu'à obtention de l'option **BKSP**. Confirmez votre sélection en appuyant sur la molette [SCROLL/SELECT].
- Pour retourner au sous-menu **Stations**, tournez la molette [SCROLL/SELECT] jusqu'à la sélection de l'option **ANNULER**, puis confirmez votre sélection en appuyant sur la molette [SCROLL/SELECT]. Vous pouvez également utiliser l'option **BACK**.
- Après saisie du terme de recherche, tournez la molette [SCROLL/SELECT] jusqu'à la sélection de l'option **OK**, puis confirmez votre sélection en appuyant sur la molette [SCROLL/SELECT]. Vous obtiendrez une liste comprenant toutes les stations correspondant au terme de recherche.
- Tournez la molette [SCROLL/SELECT] afin de sélectionner une station de cette liste. Confirmez votre sélection en appuyant sur la molette [SCROLL/SELECT]. La lecture de la station sélectionnée démarre.

Disponibilité des stations

- Veuillez noter que certaines stations n'émettent pas 24 h sur 24. Elles ne sont donc pas disponibles en permanence.

7.3 Mes stations ajoutées

Vous pouvez également ajouter des stations à celles mentionnées automatiquement dans la liste. Veuillez, pour ce faire, vous rendre sur le site www.wifiradio-frontier.com et procéder conformément aux indications du point 7.4 „Ajouter des favoris”.

Remarque

- En cas de réinitialisation de la radio, les stations ajoutées dans Mes stations ajoutées ne seront pas effacées.

7.4 Mes stations favorites

Le sous-menu **Mes stations favorites** vous permet de sélectionner des stations à partir d'une liste comprenant toutes vos stations de radio favorites. Vous devez avoir ajouté les stations à votre liste de stations favorites comme suit :

- Veuillez consulter le site www.wifiradio-frontier.com sur un appareil ayant accès à internet (ordinateur portable, smartphone, etc.).
- Commencez par vous enregistrer. Vous pourrez obtenir le code d'accès nécessaire sur une radio internet sous tension et après établissement d'une connexion WiFi via [MENU] > Liste des stations > Aide > obtenir le code d'accès.
- Ajoutez ensuite les stations de radio désirées.
- Mettez votre radio hors tension pendant quelques minutes pour pouvoir intégrer les nouveaux paramètres.

Informations concernant les stations

- Vous pouvez obtenir des informations concernant une certaine station pendant l'écoute de cette dernière. Appuyez sur la touche INFO afin de commuter entre l'affichage du titre actuel, les informations concernant la station, son genre, la fiabilité de réception, les informations concernant le signal, le tampon de lecture et l'affichage de la date.

7.5 Mémorisation des stations

La fonction PRESET vous permet de mémoriser jusqu'à 10 stations. Vous pourrez ainsi accéder plus facilement aux stations concernées.

- Maintenez la touche PRESET enfoncée pendant environ 3 secondes dans le cas où vous désirez incorporer la station en cours d'écoute dans votre liste de stations. La liste **Mémorisation des stations** comprenant 10 emplacements mémoire apparaît à l'écran.
- Tournez la molette [SCROLL/SELECT] afin de sélectionner un emplacement mémoire, puis confirmez votre sélection en appuyant sur la molette [SCROLL/SELECT]. La station sera mémorisée à l'emplacement mémoire sélectionné.

Lecture PRESET

- Vous pouvez écouter une station mémorisée à tout moment en appuyant sur la touche PRESET, puis en sélectionnant l'emplacement mémoire concerné à l'aide de la molette [SCROLL/SELECT].

7.6 Lecteur Média

Le menu **Lecteur Média** vous permet de lire sur la radio des fichiers audio stockés sur un ordinateur.

Lecteur Média

- Votre ordinateur doit pouvoir partager des dossiers ou des médias (fichiers audio) via UPnP. Le logiciel Windows Music player 10 ou une version ultérieure de ce logiciel vous permettra, par exemple, ce partage.
- D'autres plateformes UPnP peuvent également être utilisées.
- Veuillez noter les indications du fabricant du logiciel et consulter l'aide en ligne concernant le logiciel ou encore contacter ce fabricant pour toute question.
- Veillez à ce que votre ordinateur et la radio soient enregistrés dans le même réseau.
- Tournez la molette [SCROLL/SELECT] jusqu'à la sélection de l'option **Lecteur Média** dans le **Menu principal**, puis confirmez votre sélection en appuyant sur la molette [SCROLL/SELECT].
- Pour lire des fichiers audio connectés, tournez la molette [SCROLL/SELECT] jusqu'à la sélection de l'option **Liste de lecture**, puis confirmez votre sélection en appuyant sur la molette [SCROLL/SELECT].
- Utilisez la molette [SCROLL/SELECT] afin de sélectionner le fichier concerné. La lecture démarre.

Liste de lecture

La fonction Liste de lecture vous permet de créer votre propre liste comprenant vos morceaux favoris provenant de fichiers audio partagés.

- Pour ajouter un morceau à votre Liste de lecture, appuyez quelques secondes sur la molette [SCROLL/SELECT], pendant la lecture de la piste. Le morceau sera ajouté à votre Liste de lecture.
- Pour lire votre **Liste de lecture**, sélectionnez la liste dans le sous-menu **Lecteur Média** à l'aide de la molette [SCROLL/SELECT]. - Utilisez la molette [SCROLL/SELECT] afin de sélectionner la piste concernée. La radio lancera la lecture de la liste à partir de cette piste.
- Utilisez la molette [SCROLL/SELECT] afin de sélectionner **Répétition : Lecture** ou **Répétition : Désactivée** dans le sous-menu **Lecteur Média**. Appuyez sur la molette [SCROLL/SELECT] afin de sélectionner le mode de répétition (activée, désactivée).
- Utilisez la molette [SCROLL/SELECT] afin de sélectionner **Lecture aléatoire : Lecture** ou **Lecture aléatoire : Désactivée** dans le sous-menu **Lecteur Média**. Appuyez sur la molette [SCROLL/SELECT] afin de sélectionner le mode de répétition aléatoire (activée, désactivée).
- Pour supprimer une Liste de lecture, sélectionnez **Suppression de la liste de lecture** dans le sous-menu **Lecteur Média** à l'aide de la molette [SCROLL/SELECT], puis confirmez votre sélection en appuyant sur la molette [SCROLL/SELECT] OUI. La Liste de lecture, ainsi que tous les titres qu'elle contient, sera supprimée sur la radio.

7.7 Mode AUX

Le menu Mode AUX vous permet de connecter un lecteur MP3 ou un autre appareil audio à l'aide d'un câble audio de 3,5 mm branché à l'entrée AUX (13).

- Sélectionnez le **Entrée aux** dans le **Menu principal** à l'aide de la molette [SCROLL/SELECT] afin de lire des fichiers audio d'un autre appareil sur votre radio..

Volume du mode AUX

- Vous devrez éventuellement régler le volume sur l'appareil audio connecté afin d'obtenir un niveau de volume optimal dans le mode AUX.

8. Fonction de réveil et de répétition de l'alarme

Propriétés de la fonction de réveil

- La radio permet de sélectionner deux heures de réveil différentes.
- Vous pouvez sélectionner une sonnerie ou la lecture d'un programme radio présélectionné au préalable pour l'alarme.

8.1 Activation de la fonction de réveil

- Tournez la molette [SCROLL/SELECT] dans le **Menu principal** jusqu'à la sélection de l'option **Réveil**. Confirmez votre sélection en appuyant sur la molette [SCROLL/SELECT].
- Sélectionnez **Réveil 1** ou **Réveil 2** en tournant et en appuyant sur la molette [SCROLL/SELECT].
- Tournez la molette [SCROLL/SELECT] afin de sélectionner **l'Etat (désactivé, quotidiennement, une fois, week-end, jours ouvrables)**, puis confirmez votre sélection en appuyant sur la molette [SCROLL/SELECT].
- Tournez la Date la molette [SCROLL/SELECT] afin de sélectionner **la Date** et **l'Heure**, puis confirmez votre sélection en appuyant sur la molette [SCROLL/SELECT].
- Tournez la molette [SCROLL/SELECT] afin de sélectionner le Mode (Sonnerie ou Radio Internet), puis confirmez votre sélection en appuyant sur la molette [SCROLL/SELECT].
- Tournez la molette [SCROLL/SELECT] afin de sélectionner le Volume avec lequel vous désirez être réveille(e), puis confirmez votre sélection en appuyant sur la molette [SCROLL/SELECT].
- Après avoir sélectionné le mode « Radio internet », tournez et appuyez sur la molette [SCROLL/SELECT] afin de sélectionner un programme. Vous pouvez utiliser la dernière station écoutée ou un des stations en mémoire pour vous réveiller.
- Tournez la molette [SCROLL/SELECT] jusqu'à la sélection de l'option Sauvegarde, puis confirmez votre sélection en appuyant sur la molette [SCROLL/SELECT]. Le réveil est ainsi activé. Une icône de cloche, accompagnée.

Remarque

- Veuillez répétez toute la procédure pour utiliser la deuxième alarme (1 ou 2).
- Conformément à la sélection du mode de réveil, l'alarme retentira quotidiennement, uniquement le week-end ou uniquement les jours ouvrables.
- Lorsque l'alarme retentit (sonnerie ou programme radio), appuyez sur la touche G afin de l'interrompre.
- Réglez la fonction de réveil (1 ou 2) sur **Désactivée** afin de désactiver totalement la fonction d'alarme.

8.2 Fonction de répétition de l'alarme


Remarque

- La Fonction de répétition de l'alarme est opérationnelle uniquement sur l'alarme activée ; si la deuxième alarme retentit pendant la période d'activité de la première alarme, vous devrez interrompre la deuxième alarme à l'aide de la Fonction de répétition de l'alarme.

- Appuyez sur la molette [SCROLL/SELECT] afin d'interrompre momentanément l'alarme. En fonction du nombre de pression sur la molette [SCROLL/SELECT], la sonnerie retentit à nouveau au bout de 5, 10, 15, 30 ou 60 minutes. Le Délai de répétition de l'alarme apparaît à l'écran.
- Réglez de l'alarme (1 ou 2) sur **Désactivée** afin de désactiver totalement d'alarme.

8.3 Fonction de répétition de l'alarme.

Remarque

- La fonction de répétition de l'alarme est signalée à l'écran par une icône  et un chiffre correspondant au délai sélectionné (exemple : „30” = minuterie activée, mise hors service automatique au bout de 30 min).
- La radio se met automatiquement hors service au bout du délai prédéfini.
- Tournez la molette [SCROLL/SELECT] dans le **Menu principal** jusqu'à la sélection de l'option **Sommeil**. Confirmez votre sélection en appuyant sur la molette [SCROLL/SELECT].
- Tournez la molette [SCROLL/SELECT] afin de sélectionner la durée de la fonction sommeil (15, 30, 45 ou 60 min), puis confirmez votre sélection en appuyant sur la molette [SCROLL/SELECT].
- La radio se met automatiquement hors service au bout du délai prédéfini.

8.4. Minuterie

- Appuyez sur la touche [TIMER] afin de configurer la minuterie.
- Tournez la molette [SCROLL/SELECT] dans le Menu principal jusqu'à la sélection de l'option Minuterie.
- Confirmez votre sélection en appuyant sur la molette [SCROLL/SELECT].
- Tournez la molette [SCROLL/SELECT] afin de sélectionner une durée entre 0 et 99 minutes.
- Confirmez votre sélection en appuyant sur la molette [SCROLL/SELECT].
- Une sonnerie retentit à la fin de la durée sélectionnée. Appuyez sur la touche [TIMER] afin d'arrêter la minuterie. La sonnerie s'arrête également automatiquement au bout de 30 minutes.

Remarque

- Appuyez sur la touche [TIMER] afin d'afficher le temps restant de la minuterie.
- Appuyez sur la touche [TIMER], puis sélectionnez 0 minutes en tournant et appuyant sur la molette [SCROLL/SELECT] afin de mettre la minuterie hors tension avant la fin de la durée sélectionnée. La minuterie est alors hors service.
- Vous ne pouvez pas régler manuellement le volume de la sonnerie. Elle augmente en crescendo jusqu'à obtention du niveau 16.

9. Autres fonctions

- Tournez la molette [SCROLL/SELECT] dans le **Menu principal** afin de sélectionner l'option **Paramètres système**. Confirmez votre sélection en appuyant sur la molette [SCROLL/SELECT].

9.1 Égaliseur

Le sous-menu Égalisateur vous permet de sélectionner un des différents modes d'égalisateur ou adopter un paramétrage individuel.

- Sélectionnez **Égalisateur** dans le sous-menu **Paramètres système** à l'aide de la molette [SCROLL/SELECT].
- Utilisez la molette [SCROLL/SELECT] afin de sélectionner le mode concerné. Confirmez votre sélection en appuyant sur la molette [SCROLL/SELECT].
- Sélectionnez Mes paramètres EQ à l'aide de la molette [SCROLL/SELECT] afin d'effectuer votre propre paramétrage des aigus, des basses et de la puissance sonore.

9.2 Paramètres internet

Les paramètres internet vous permettent de sélectionner et régler différentes options telles que Assistant Réseau, PBC, Connexion WiFi, Affichage des paramètres, Réglages manuels, Suppression de profils de réseaux et maintien de la connexion réseau.

- Sélectionnez Paramètres internet dans le sous-menu Paramètres système à l'aide de la molette [SCROLL/SELECT]. Vous pourrez sélectionner, régler et confirmer vos différentes options à l'aide de la molette [SCROLL/SELECT].

Fonctions des différentes options :

• Assistant Réseau :

La radio effectue automatiquement un balayage de la zone afin de détecter les réseaux WiFi disponibles. À la fin de la recherche, une liste des réseaux disponibles apparaît à l'écran ; ou configurer manuellement une connexion internet.

• Connexion PBC WiFi :

Les appareils prenant en charge la connexion via WPS (Wi-Fi Protected Setup) sont mentionnés spécialement dans la liste [WPS]. Pour configurer une connexion via WPS, appuyez sur la molette [SCROLL/SELECT] après avoir sélectionné l'identifiant SSID (Service Set Identifier – désignation du réseau) souhaité. La radio vous permet ensuite de lancer WPS en appuyant sur la touche ou en saisissant le code PIN. Vous devrez lancer un scan WPS sur le routeur pour pouvoir démarrer la connexion WPS en appuyant sur une touche. Pour toute question, veuillez consulter le manuel de votre routeur ou de votre point d'accès (AP). Après avoir effectué le scan, appuyez sur la molette [SCROLL/SELECT] de la radio ; les deux appareils établiront alors la connexion.

En utilisant la méthode à l'aide du code PIN, la radio crée un code de huit caractères que vous devrez saisir sur le routeur. Après avoir saisi le code PIN, appuyez sur la molette [SCROLL/SELECT] de la radio afin d'établir la connexion entre les deux appareils.

• Affichage des paramètres :

Vous obtiendrez ici un aperçu de tous les paramètres réseau appliqués à votre radio.

• Réglages manuels :

En cas de problèmes de détection du réseau WiFi à l'aide de l'assistant Réseau ou en cas de problème de connexion, vous pouvez tenter de configurer la connexion réseau manuellement. Cette méthode est également nécessaire lorsque votre routeur / votre point d'accès ne prend pas en charge pas l'attribution automatique d'adresses IP (DHCP inactif).

Remarque

Vous devez saisir l'intégralité de la configuration réseau (adresse IP, masque de sous-réseau, adresse de la passerelle, DNS primaire, DNS secondaire) dans les champs concernés. Vous pouvez sélectionner les champs en tournant et en appuyant sur la molette [SCROLL/SELECT]. Vous obtiendrez les informations nécessaires pour le réseau de votre propre configuration réseau ou de votre administrateur réseau. Après avoir saisi toutes les données requises, la radio tente de se connecter au réseau.

Option 1 :

Sans fil > molette [SCROLL/SELECT]
DHCP activé > molette [SCROLL/SELECT]
SSID > Saisie de l'identifiant SSID

Remarque

En présence d'un réseau masqué ou d'un réseau Wifi non détectable, vous devrez tourner et appuyer sur la molette [SCROLL/SELECT] afin de saisir l'identifiant du réseau (SSID) et confirmer votre saisie à l'aide de « **OK** ».

La sélection de la méthode de cryptage fait suite à la saisie de l'identifiant de réseau. Sélectionnez une des options suivantes, en fonction de la configuration de votre réseau :

ouvert > molette [SCROLL/SELECT] > (non acceptés/WEP)
ou
PSK > molette [SCROLL/SELECT] > (non acceptés/WEP)
ou
WPA > molette [SCROLL/SELECT] > (TKIP/AES)
ou
WPA2 > molette [SCROLL/SELECT] > (TKIP/AES)

Remarque

En cas de méthode PSK, WPA et WPA2, vous devrez encore saisir la clé de réseau nécessaire dans le champ de saisie en tournant et en appuyant sur la molette [SCROLL/SELECT], puis confirmer votre saisie avec « **OK** ». La radio tente, ensuite, d'établir la connexion (SSID, le cryptage et la clé dépendent de la configuration de votre point d'accès).

Option 2 :

Sans fil > molette [SCROLL/SELECT]
DHCP inactif > molette [SCROLL/SELECT]

Remarque

Vous devez saisir l'intégralité de la configuration réseau (adresse IP, masque de sous-réseau, adresse de la passerelle, DNS primaire, DNS secondaire) dans les champs concernés. Vous pouvez sélectionner les champs en tournant et en appuyant sur la molette [SCROLL/SELECT]. Vous obtiendrez les informations nécessaires pour le réseau de votre propre configuration réseau ou de votre administrateur réseau. Après avoir saisi toutes les données requises, la radio tente de se connecter au réseau.

SSID > Saisie de l'identifiant SSID

Remarque

En présence d'un réseau masqué ou d'un réseau WiFi non détectable, vous devrez tourner et appuyer sur la molette [SCROLL/SELECT] afin de saisir l'identifiant du réseau (SSID) et confirmer votre saisie à l'aide de « **OK** ».

La sélection de la méthode de cryptage fait suite à la saisie de l'identifiant de réseau. Sélectionnez une des options suivantes, en fonction de la configuration de votre réseau :

ouvert > molette [SCROLL/SELECT] > (non acceptés/WEP)
ou
PSK > molette [SCROLL/SELECT] > (non acceptés/WEP)
ou
WPA > molette [SCROLL/SELECT] > (TKIP/AES)
ou
WPA2 > molette [SCROLL/SELECT] > (TKIP/AES)

Remarque

En cas de méthode PSK, WPA et WPA2, vous devrez encore saisir la clé de réseau nécessaire dans le champ de saisie en tournant et en appuyant sur la molette [SCROLL/SELECT], puis confirmer votre saisie avec « **OK** ». La radio tente, ensuite, d'établir la connexion (SSID, le cryptage et la clé dépendent de la configuration de votre point d'accès).

• Suppression de profils réseaux

La radio sauvegarde tous les profils utilisés jusque là et vous pouvez les utiliser lorsque vous changez d'endroit. Ces profils sont basés sur les réseaux WiFi auxquels la radio s'est connectée. Lors d'une tentative de connexion à un réseau, la radio vérifie automatiquement ces profils et utilise les données sauvegardées. Pour supprimer un de ces profils, sélectionnez le profil concerné en tournant et appuyant sur la molette [SCROLL/SELECT], puis confirmez la suppression en répondant « **Oui** » à la question. Il est impossible de supprimer le profil en cours d'utilisation.

9.3 Paramètres de l'heure et de la date

Les Paramètres horaires vous permettent de sélectionner et modifier les différentes options horaires telles que l'heure, la date, la mise à jour automatique, le format, le fuseau horaire et l'heure d'été/d'hiver.

- **Sélectionnez Paramètres** horaires dans le sous-menu **Paramètres système** à l'aide de la molette [SCROLL/SELECT]. Vous pourrez sélectionner, régler et confirmer vos différentes options à l'aide de la molette [SCROLL/SELECT].

9.4 Paramètres de langue

La langue par défaut de la radio est l'anglais.

- Pour modifier la langue, sélectionnez Langue dans le sous-menu Paramètres système à l'aide de la molette [SCROLL/SELECT]. Vous pourrez sélectionner et confirmer votre langue à l'aide de la molette [SCROLL/SELECT].

9.5 Réglages d'usine

- Pour retrouver les Réglages d'usine de la radio, sélectionnez Réglages d'usine dans le sous-menu Paramètres système à l'aide de la molette [SCROLL/SELECT].
- Confirmez votre sélection en appuyant sur la molette [SCROLL/SELECT].
-



Avertissement

- Toutes les présélections, les paramètres d'heure et de date, ainsi que de réveil, la clé/le mot de passe WiFi seront effacés après la réinitialisation des réglages d'usine.

9.6 Mise à jour du logiciel

De nouvelles mises à jour du logiciel de la radio sont régulièrement mises à disposition afin d'éviter les dysfonctionnements et/ou proposer de nouvelles fonctionnalités.

- Pour vérifier la disponibilité de nouvelles mises à jour du logiciel de la radio, sélectionnez **Mise à jour logiciel** dans le sous-menu **Paramètres système** à l'aide de la molette [SCROLL/SELECT].
- Tournez la molette [SCROLL/SELECT] afin de sélectionner **Mise à jour automatique**, puis confirmez votre sélection en appuyant sur la molette [SCROLL/SELECT]. Vous pouvez donc décider que la radio recherche automatiquement et périodiquement si de nouvelles versions du logiciel sont disponibles. Vous recevrez un message dès qu'une nouvelle version est disponible.
- Tournez la molette [SCROLL/SELECT] afin de sélectionner **Rechercher maintenant**, puis confirmez votre sélection en appuyant sur la molette [SCROLL/SELECT]. La radio recherche immédiatement les nouvelles mises à jour et lance automatiquement la mise à jour de la nouvelle version.



Avertissement

- Veuillez contrôler la disponibilité de l'alimentation électrique avant de lancer une mise à jour du logiciel. Une interruption d'alimentation pendant une mise à jour est susceptible de provoquer une détérioration irréparable de la radio.

9.7 Informations

- Pour retrouver des informations concernant la version du logiciel de la radio, sélectionnez **Info** dans le sous-menu **Paramètres système** à l'aide de la molette [SCROLL/SELECT].

9.8 Éclairage de l'écran

Cette radio dispose d'un éclairage d'écran à trois niveaux (haut, moyen, bas).

- Pour modifier le niveau d'éclairage, sélectionnez **Éclairage** dans le sous-menu **Paramètres système** à l'aide de la molette [SCROLL/SELECT].
- Utilisez la molette [SCROLL/SELECT] afin de régler le niveau d'éclairage de la radio lorsqu'elle est en mode actif (**sous tension**) ou en veille (**veille**), puis confirmez ce réglage en appuyant sur la molette [SCROLL/SELECT].
- Tournez la molette [SCROLL/SELECT] afin de sélectionner **haut**, **moyen** ou **bas** pour l'Éclairage, puis confirmez votre sélection en appuyant sur la molette [SCROLL/SELECT].

- Sélectionnez un délai d'attente pour le mode veille à l'aide de la molette [SCROLL/SELECT]. Après commutation en mode veille, la radio conserve l'éclairage de fond du mode de service pour l'intervalle de temps d'attente sélectionné avant de passer à l'éclairage de fond du mode veille.

9.9 Connexion casque

- Une prise de casque (12) se trouve sur la face arrière de la radio (jack stéréo 3,5 mm).
- Le branchement d'un casque met automatiquement les haut-parleurs intégrés en sourdine.

Remarque – mode veille (uniquement pour le mode AUX)

La radio se met automatiquement en mode veille, lorsque la fonction automatique de veille est sélectionnée, dans le cas où vous ne l'utilisez pas pendant plus d'une heure.

9.10. Veille automatique

- Sélectionnez « Veille automatique » dans le sous-menu « Paramètres du système » à l'aide de la molette [SCROLL/SELECT] AUX.

Tournez la molette [SCROLL/SELECT] afin d'activer / désactiver la fonction de commutation automatique en mode veille après une heure d'inactivité. - Confirmez votre sélection en appuyant sur la molette [SCROLL/SELECT].

10. Soins et entretien

Nettoyez la balance uniquement à l'aide d'un chiffon non fibreux légèrement humide ; évitez tout détergent agressif.

11. Exclusion de garantie

La société Hama GmbH & Co. KG décline toute responsabilité en cas de dommages provoqués par une installation, un montage ou une utilisation non conformes du produit ou encore provoqués par un non respect des consignes du mode d'emploi et/ou des consignes de sécurité.

12. Service et assistance

En cas de question concernant le produit, veuillez vous adresser au service de conseil produits de Hama.
Ligne téléphonique directe : +49 9091 502-115 (allemand/anglais)
Vous trouverez ici de plus amples informations concernant l'assistance : www.hama.com

13. Caractéristiques techniques

Alimentation	AC: 100-240V~60/50Hz
Puissance de sortie:	5 W x 2
Dimensions de l'unité	345 (L) x 215 (W) x 155 (H) mm
Poids	2.2 kg

14. Consignes de recyclage

Remarques concernant la protection de l'environnement:



Conformément à la directive européenne 2002/96/CE et 2006/66/CE, et afin d'atteindre un certain nombre d'objectifs en matière de protection de l'environnement, les règles suivantes doivent être appliquées: Les appareils électriques et électroniques ainsi que les batteries ne doivent pas être éliminés avec les déchets ménagers. Le pictogramme "picto" présent sur le produit, son manuel d'utilisation ou son emballage indique que le produit est soumis à cette réglementation. Le consommateur doit retourner le produit/la batterie usager aux points de collecte prévus à cet effet. Il peut aussi le remettre à un revendeur. En permettant enfin le recyclage des produits ainsi que les batteries, le consommateur contribuera à la protection de notre environnement. C'est un acte écologique.

15. Déclaration de conformité



La société Hama GmbH & Co. KG certifie que cet appareil est conforme aux exigences de base et aux dispositions de la directive 1999/5/ en vigueur. Vous trouverez la déclaration de conformité à la directive R&TTE 99/5/CE sur www.hama.de.

Remarque

L'utilisation en France de cet appareil est autorisée exclusivement dans des locaux fermés.

(E) Nota sobre la protección medioambiental:



Después de la puesta en marcha de la directiva Europea 2002/96/EU y 2006/66/EU en el sistema legislativo nacional, se aplicara lo siguiente:

Los aparatos eléctricos y electrónicos, así como las baterías, no se deben evacuar en la basura doméstica. El usuario está legalmente obligado a llevar los aparatos eléctricos y electrónicos, así como pilas y pilas recargables, al final de su vida útil a los puntos de recogida comunales o a devolverlos al lugar donde los adquirió. Los detalles quedaran definidos por la ley de cada país. El símbolo en el producto, en las instrucciones de uso o en el embalaje hace referencia a ello. Gracias al reciclaje, al reciclaje del material o a otras formas de reciclaje de aparatos/pilas usados, contribuye Usted de forma importante a la protección de nuestro medio ambiente.

(NL) Notitie aangaande de bescherming van het milieu:



Ten gevolge van de invoering van de Europese Richtlijn 2002/96/EU en 2006/66/EU in het nationaal juridisch system, is het volgende van toepassing:

Elektrische en elektronische apparatuur, zoals batterijen mag niet met het huisvuil weggegooid worden. Consumenten zijn wettelijk verplicht om elektrische en elctronische apparaten zoals batterijen op het einde van gebruik in te dienen bij openbare verzamelplaatsen speciaal opgezet voor dit doeleinde of bij een verkooppunt. Verdere specificaties aangaande dit onderwerp zijn omschreven door de nationale wet van het betreffende land. Dit symbool op het product, de gebruiksaanwijzing of de verpakking duidt erop dat het product onderworpen is aan deze richtlijnen. Door te recyclen, hergebruiken van materialen of andere vormen van hergebruiken van oude toestellen/batterijen, levert u een grote bijdrage aan de bescherming van het milieu.

(GR) Υπόδειξη σχετικά με την προστασία περιβάλλοντος:



Από τη στιγμή που η Ευρωπαϊκή Οδηγία 2002/96/ΕΕ και 2006/66/ΕΕ ενσωματώνεται στο εθνικό δίκαιο ισχύουν τα εξής:

Οι ηλεκτρικές και οι ηλεκτρονικές συσκευές καθώς και οι μπαταρίες δεν επιτρέπεται να πετιούνται στα οικιακά απορρίμματα. Οι καταναλωτές υποχρεούνται από τον νόμο να επιστρέφουν τις ηλεκτρικές και ηλεκτρονικές συσκευές καθώς και τις μπαταρίες στο τέλος της ζωής τους στα δημόσια σημεία περισυλλογής που έχουν δημιουργηθεί γι' αυτό το σκοπό ή στα σημεία πώλησης. Οι λεπτομέρειες ρυθμίζονται στη σχετική νομοθεσία. Το σύμβολο πάνω στο προϊόν, στο εγχειρίδιο χρήσης ή στη συσκευασία παραπέμπει σε αυτές τις διατάξεις. Με την ανακύκλωση, επαναχρησιμοποίηση των υλικών ή με άλλες μορφές χρησιμοποίησης παλιών συσκευών / Μπαταριών συνεισφέρετε σημαντικά στην προστασία του περιβάλλοντος. Στη Γερμανία ισχύουν αντίστοιχα οι παραπάνω κανόνες απόρριψης σύμφωνα με τον κανονισμό για μπαταρίες και συσσωρευτές.

(S) Not om miljösydd:



Efter implementeringen av EU direktiv 2002/96/EU och 2006/66/EU i den nationella lagstiftningen, gäller följande:

Elektriska och elektroniska apparater samt batterier får inte kastas i hushållssoporna. Konsumenter är skyldiga att återlämna elektriska och elektroniska apparater samt batterier vid slutet av dess livslängd till, för detta ändamål, offentliga uppsamlingsplatser. Detaljer för detta definieras via den nationella lagstiftningen i respektive land. Denna symbol på produkten, instruktionsmanualen eller på förpackningen indikerar att produkten innefattas av denna bestämmelse. Genom återvinning och återanvändning av material/batterier bidrar du till att skydda miljön och din omgivning.

(FIN) Ympäristönsuojelua koskeva ohje:



Siitä lähtien, kun Euroopan unionin direktiivi 2002/96/EU ja 2006/66/EU otetaan käyttöön kansallisessa lainsäädännössä, pätevät seuraavat määräykset:

Sähkö- ja elektroniikkalaitteita ja paristoja ei saa hävittää talousjätteen mukana. Kuluttajalla on lain mukaan velvollisuus toimittaa sähkö- ja elektroniikkalaitteet niiden käyttöiän päätyttyä niille varattuihin julkisiin keräyspisteisiin tai palauttaa ne myyntipaikkaan. Tähän liittyvistä yksityiskohdista säädetään kulloisenkin osavaltion laissa. Näistä määräyksistä mainitaan myös suuteen symbolissa, käyttöohjeessa tai pakkauksessa. Uudelleenkäyttöllä, materiaalien/paristoja uudelleenkäyttöllä tai muilla vanhojen laitteiden uudelleenkäyttötavoilla on tärkeä vaikutus yhteisen ympäristömme suojelussa.

(PL) Wskazówki dotyczące ochrony środowiska:



Od czasu wprowadzenia europejskiej dyrektywy 2002/96/EU i 2006/66/EU do prawa narodowego obowiązują następujące ustalenia:

Urządzeń elektrycznych, elektronicznych oraz baterii jednorazowych nie należy wyrzucać razem z codziennymi odpadami domowymi! Użytkownik zobowiązany prawnie do odniesienia zepsutych, zniszczonych lub niepotrzebnych urządzeń elektrycznych i elektronicznych do punktu zbiórki lub do sprzedawcy. Szczegółowe kwestie regulują przepisy prawne danego kraju. Informuje o tym symbol przekreślonego kosza umieszczony na opakowaniu. Segregując odpady pomagasz chronić środowisko!

(H) Környezetvédelmi tudnivalók:



Az európai irányelvek 2002/96/EU és 2006/66/EU ajánlása szerint, a megjelölt időponttól kezdve, minden EU-s tagállamban érvényesek a következők:

Az elektromos és elektronikai készülékeket és az elemeket nem szabad a háztartási szemétkébe dobni! A leselejtezett elektromos és elektronikus készülékeket és elemeket, akkumulátorokat nem szabad a háztartási szemétkébe dobni. Az elhasznált és működésképtelen elektromos és elektronikus készülékek gyűjtésére törvényi előírás kötelez mindenkit, ezért azokat el kell szállítani egy kijelölt gyűjtő helyre vagy visszavinni a vásárlás helyére. A termék csomagolásán feltüntetett szimbólum egyértelmű jelzést ad erre vonatkozóan a felhasználónak. A régi készülékek begyűjtése, visszaváltása vagy bármilyen formában történő újra hasznosítása közös hozzájárulás környezetünk védelméhez.

-
- Ⓔ En Francia este aparato solo puede utilizarse in espacios cerrados.
- Ⓗ Dít toestel mag in Frankrijk alleen in droge en gesloten ruimtes gebruikt worden!
- Ⓘ In Francia, questo apparecchio può essere utilizzato soltanto in locali chiusi!
- Ⓖ Στη Γαλλία αυτή η συσκευή επιτρέπεται να λειτουργεί μόνο σε κλειστούς χώρους.
- Ⓢ I Frankrike får den här apparaten bara användas inomhus!
- Ⓕ Laitetta saa Ranskassa käyttää vain suljetuissa tiloissa!
- Ⓟ Urządzenia można we Francji użytkować tylko w zamkniętych pomieszczeniach!
- Ⓕ Ez a készülék csak zárt helyiségben működtethető Franciaországban!
- Ⓒ Toto zařízení smí být ve Francii provozováno jen v uzavřených místnostech!
- Ⓚ Toto zariadenie smie byť vo Francúzsku prevádzkované len v uzavretých miestnostiach!
- Ⓟ Em França, este aparelho apenas pode ser utilizado em espaços fechados!
- Ⓡ Во Франции эксплуатация изделия разрешается только в сухих, закрытых помещениях!
- Ⓣ Bu cihaz sadece Fransa'da kuru ve kapalı mekanlarda çalıştırılmalıdır!
- Ⓡ Acest aparat poate fi utilizat în Franța numai în încăperi închise!
- Ⓓ Dette apparat må kun bruges i lukkede rum i Frankrig!
- Ⓗ I Frankrike får dette apparatet kun brukes i lukkede rom!
- Ⓗ Ovaj uređaj smije se u Francuskoj koristiti samo u zatvorenim prostorijama!

hama®

Hama GmbH & Co KG
D-86652 Monheim
www.hama.com

The Spotify software is subject to third party licenses found here:
www.spotify.com/connect/third-party-licenses

All listed brands are trademarks of the corresponding companies. Errors and omissions excepted,
and subject to technical changes. Our general terms of delivery and payment are applied.



00054815/10.14