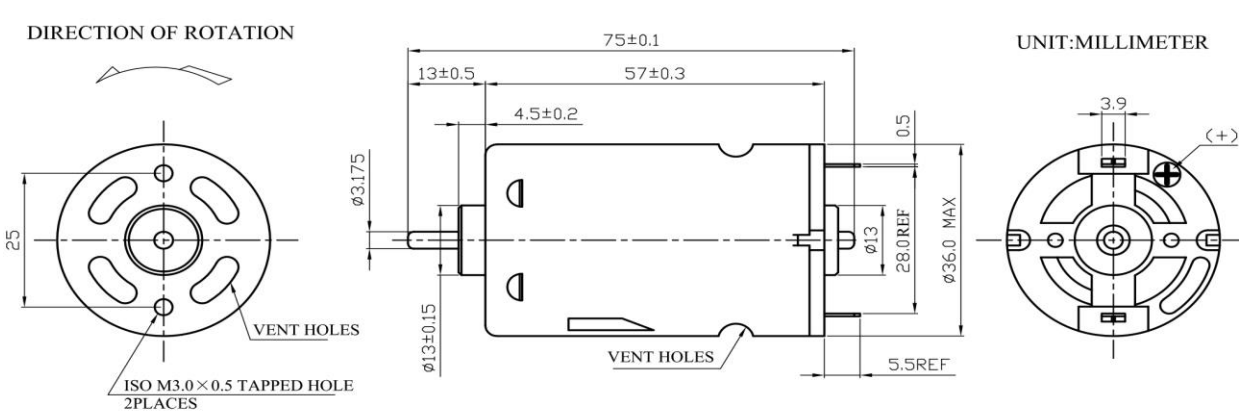
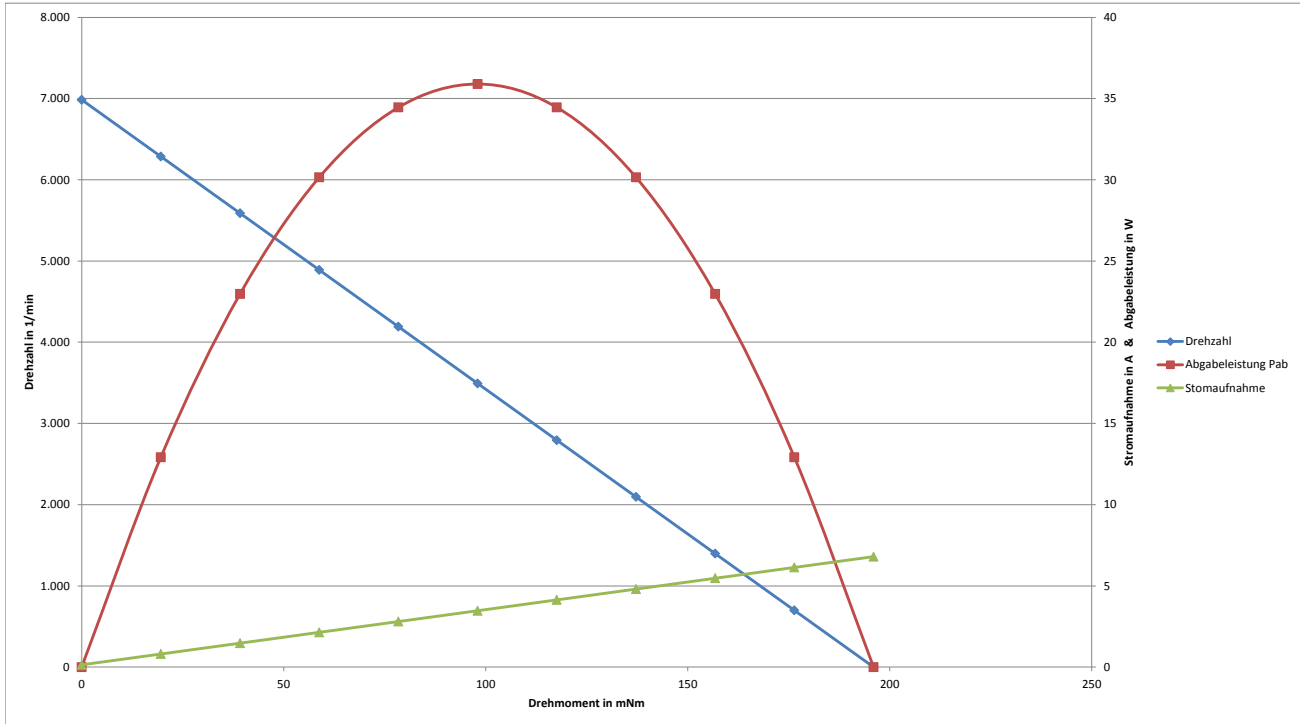


MODEL	VOLTAGE		NO LOAD		AT MAXIMUM EFFICIENCY				STARTING		max. OUTPUT POWER W	POLES	CAPACITOR	BRUSHES
	Operating Range	Nominal	Speed	Current	Speed	Current	Torque	Output Power	Current	Torque				
	VDC	VDC	rpm	A	rpm	A	mNm	W	A	mNm				
SR550SA-27165S-75+C	18,0-24,0	24,0	6.985	0,14	6.109	0,98	24,60	17,18	6,80	196,00	39,14	3	2x47nF	carbon



Irrtum und Druckfehler vorbehalten / Errors and Omissions excepted