








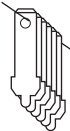



Steckzungen 2,8 mm Languettes plates Mounting tabs

						
Artikelnummer Numéro d'article Part-No.	3780b08.6	03780b08.6	3779s.6	03779s.6	3780l.6	03780l.6
Bohrung/Trou/Hole	∅ 1	∅ 1	∅ 1.1	∅ 1.1	∅ 1.1	∅ 1.1
T	3.8	3.8	2	2	3	3
L	6.7	6.7	10	10	17	17
L1	10.5	10.5	12	12	20	20
B1	2.8	2.8	2.8	2.8	2.8	2.8
B2	2.8	2.8	2.8	2.8	2.8	2.8
∅D	1.5	1.5	1.4	1.4	1.3	1.3
B	1	1	1	1	1	1
S	0.8	0.8	0.8	0.8	0.8	0.8
Werkzeuge Outils Toolings	16	104108	16	104708	16	10411

					
Artikelnummer Numéro d'article Part-No.	3775g.6	3775f.6	3780e08.6	03780e08.6	377105.6
Bohrung/Trou/Hole	∅ 1.1	∅ 1.1	∅ 1.2	∅ 1.2	∅ 1.2
T	3.5	4	1.5	1.5	7.5
L	49.5	32.5	9	9	10
L1	55.5	39	13	13	17.5
B1	4	4	3.8	3.8	2.8
B2	2.8	2.8	2.8	2.8	2.8
∅D	1	1	1.3	1.3	1.2
B	0.9	0.9	1.2	1.2	1.3
S	0.8	0.8	0.8	0.8	0.5
Werkzeuge Outils Toolings			64	1041e	13