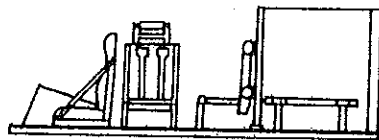
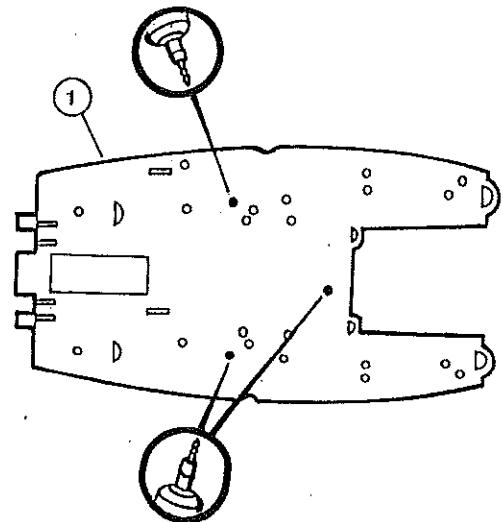
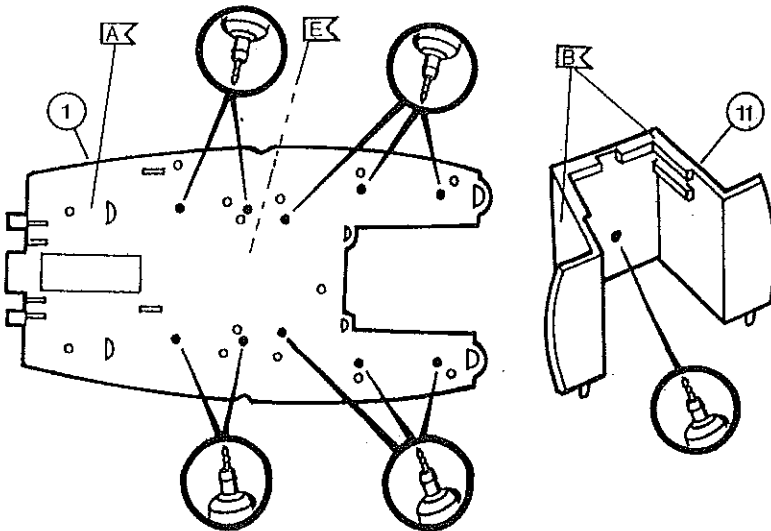
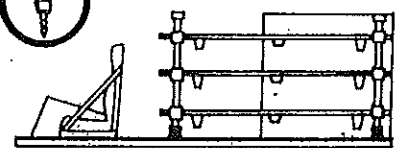


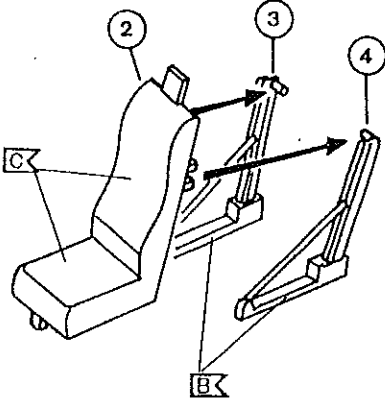
Transport Version



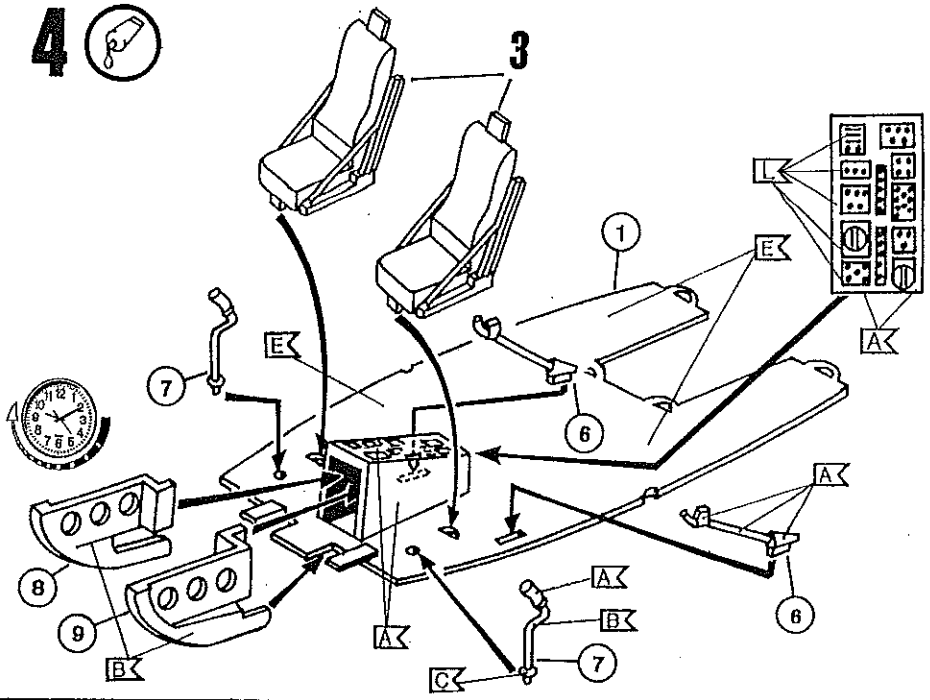
Ambulance Version



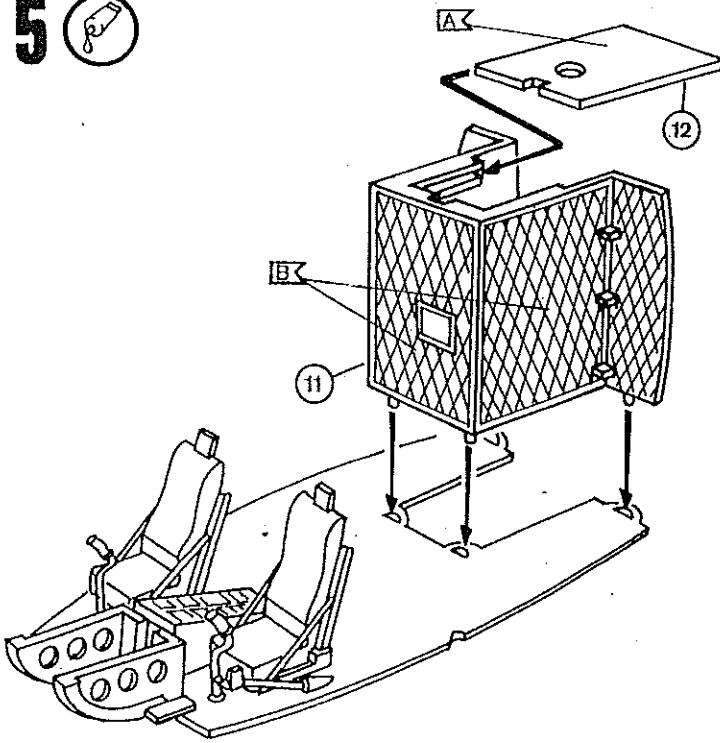
3  2X



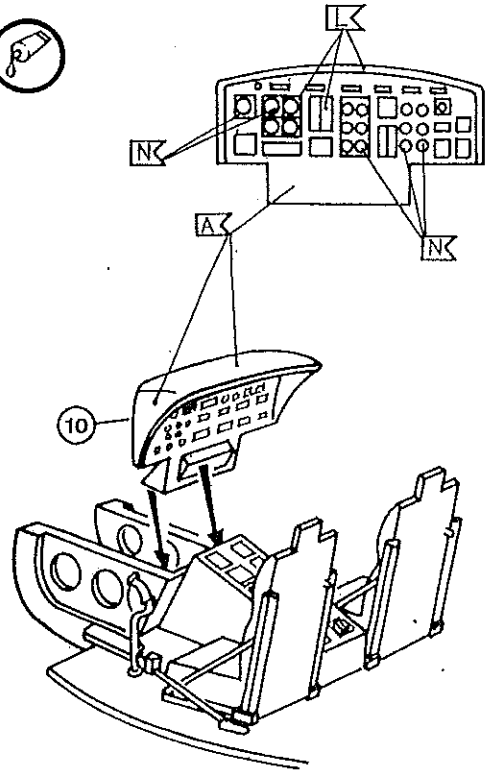
4 



5 

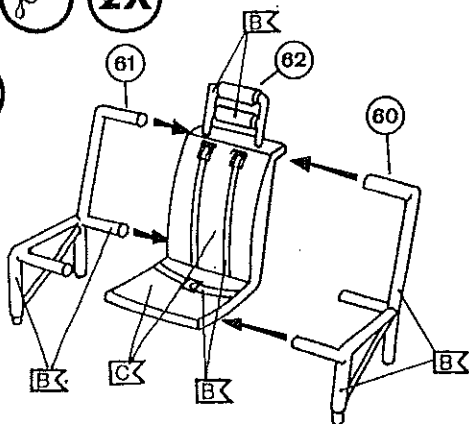


6 



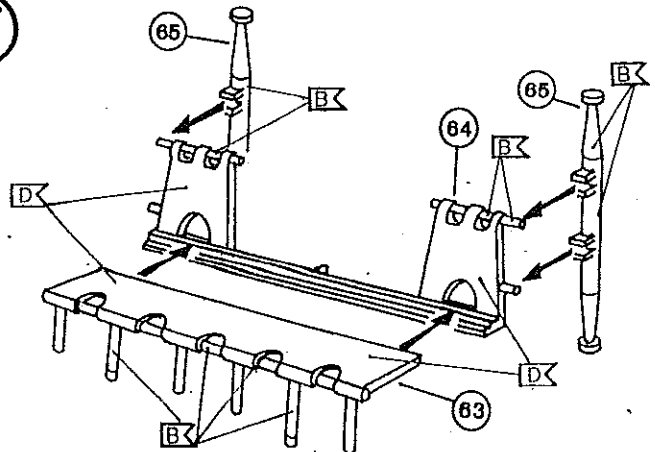
7  2X

?

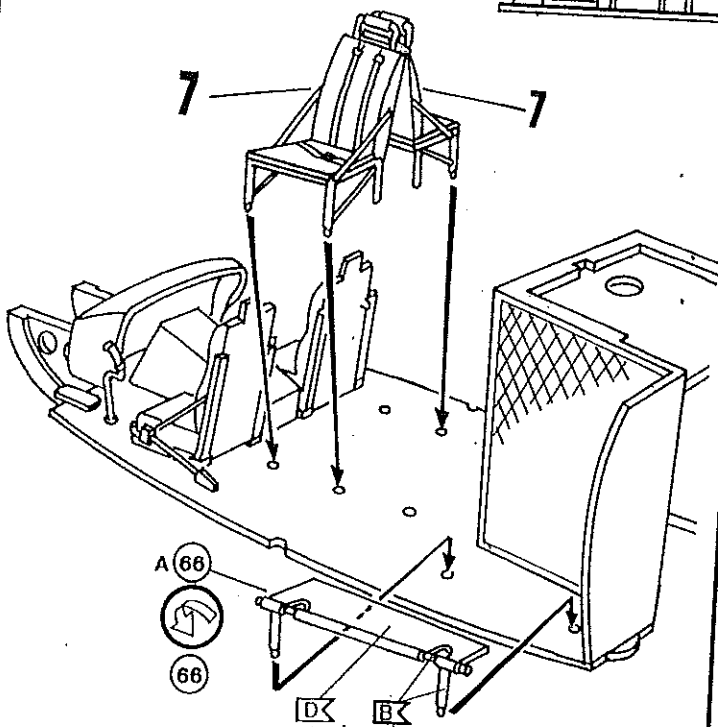


8 

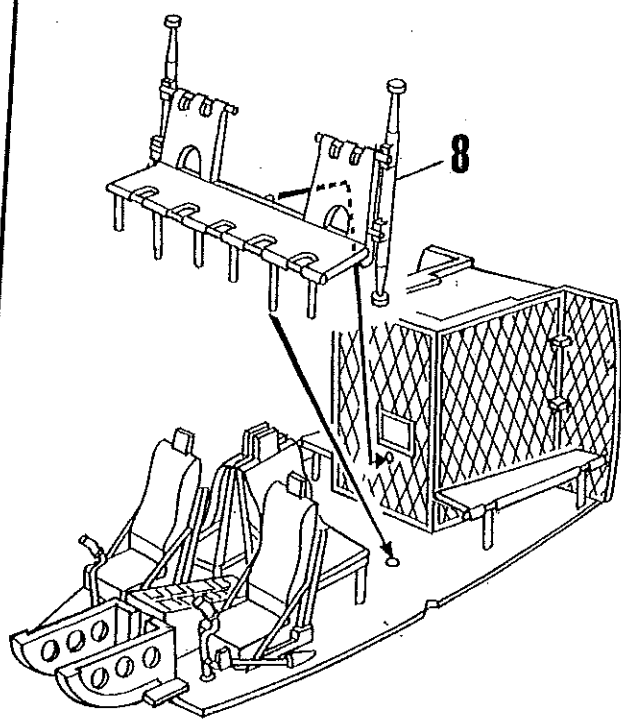
?



9  

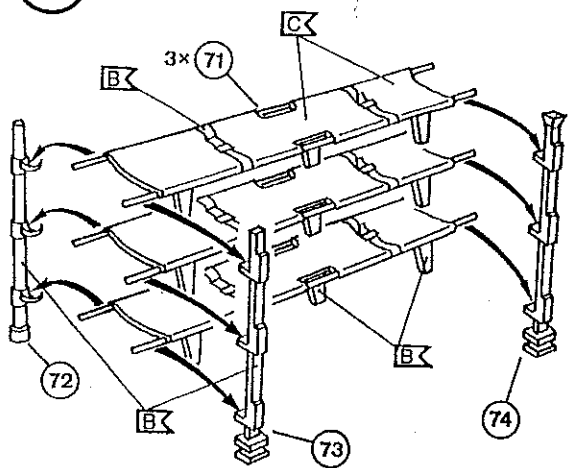
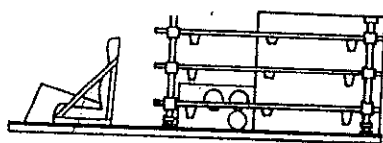


10  

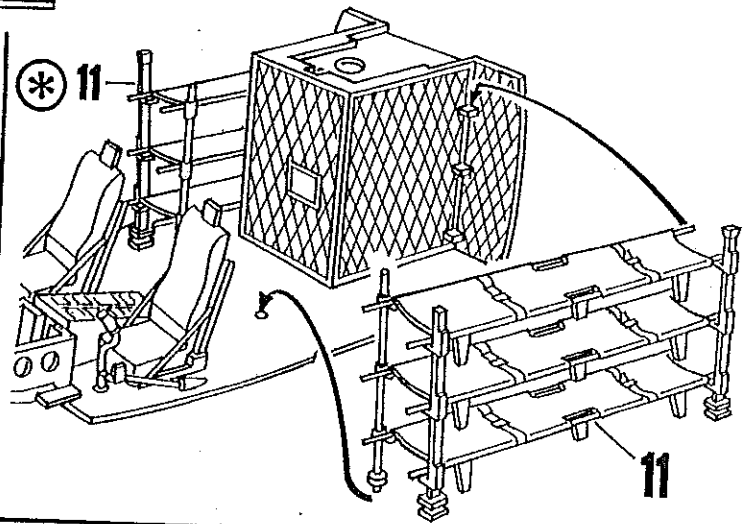


11  

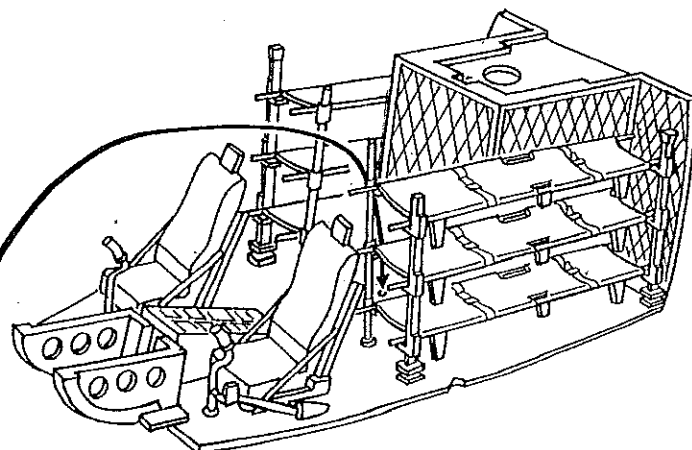
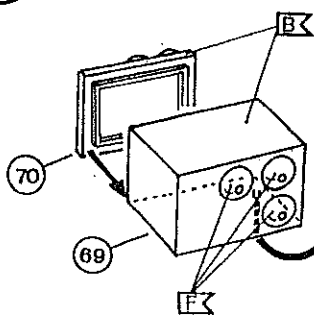
2X



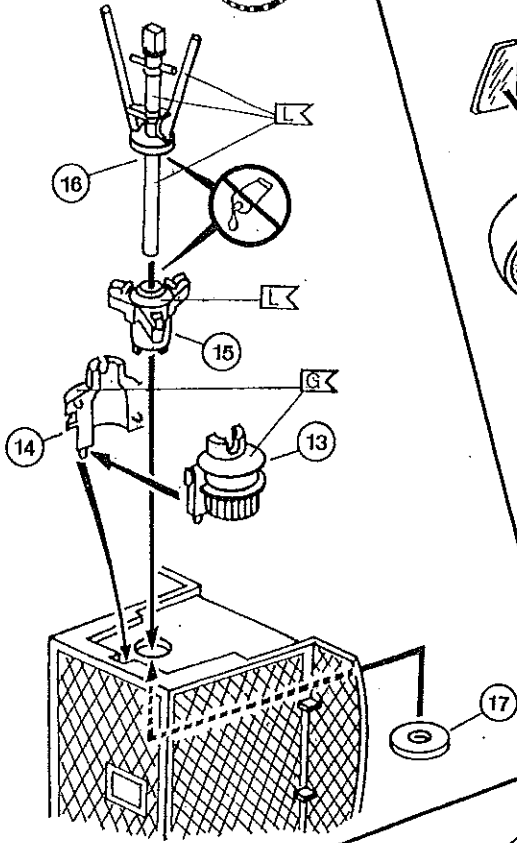
12  



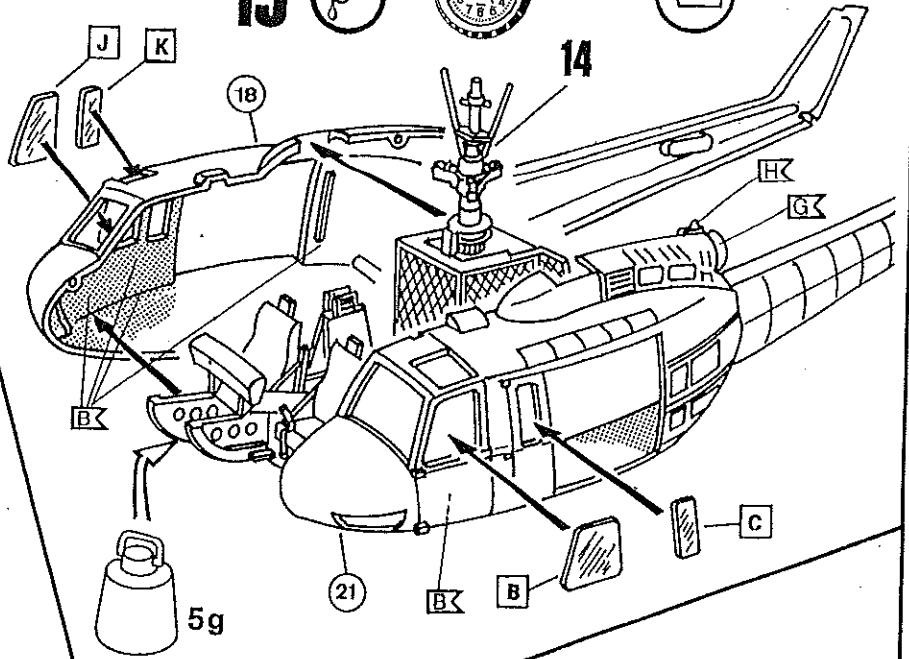
13  



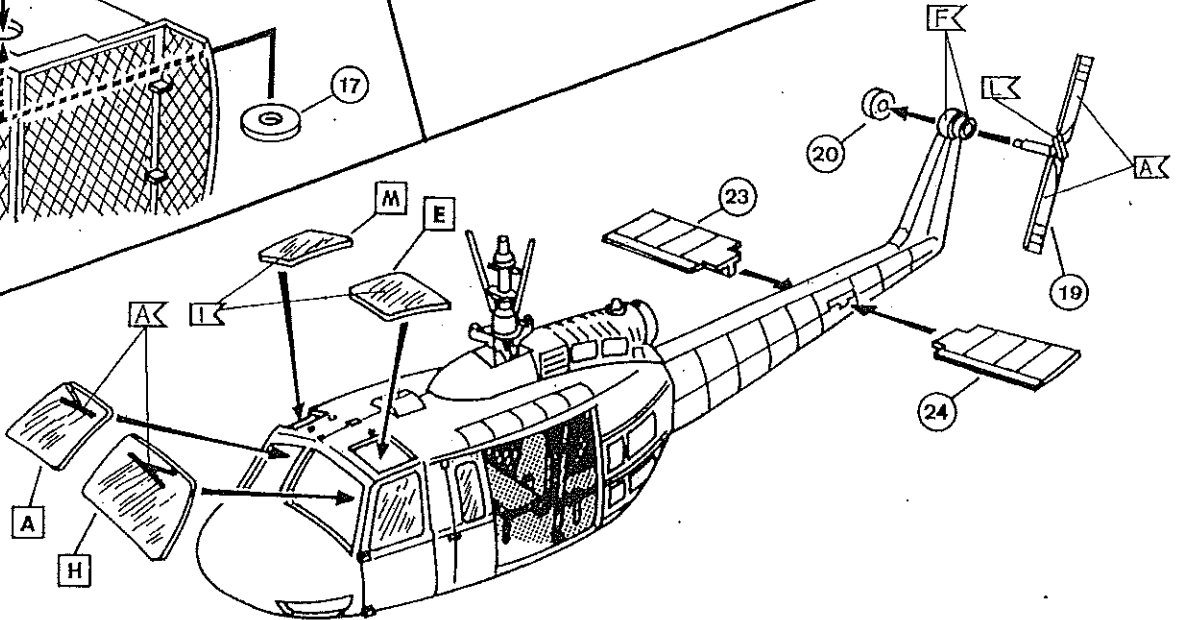
14



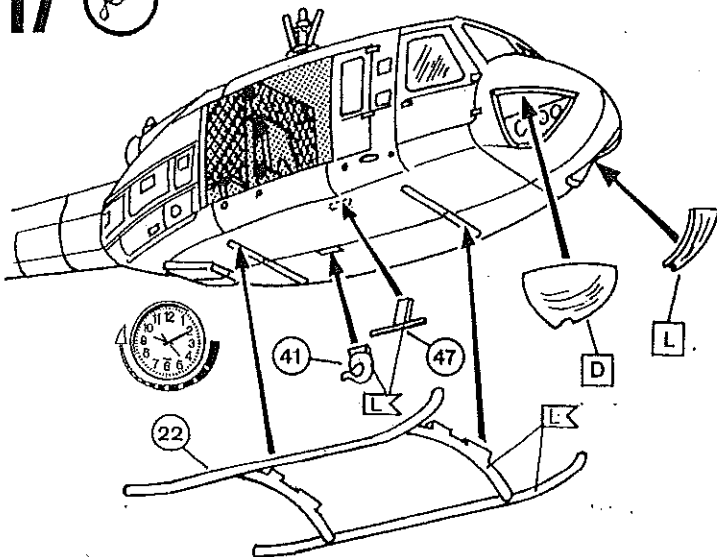
15



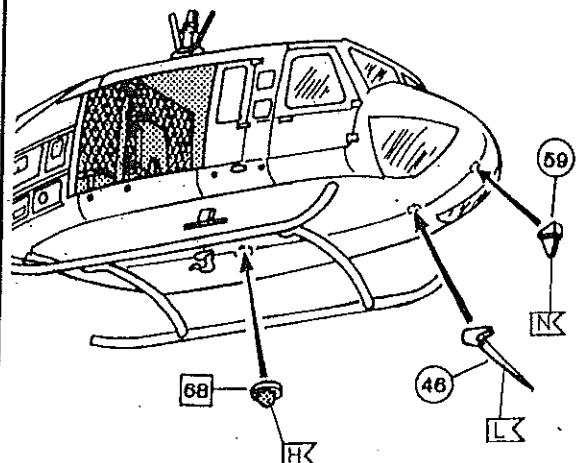
16



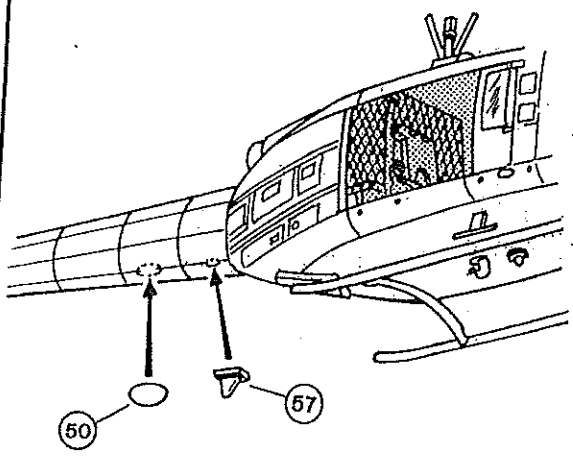
17



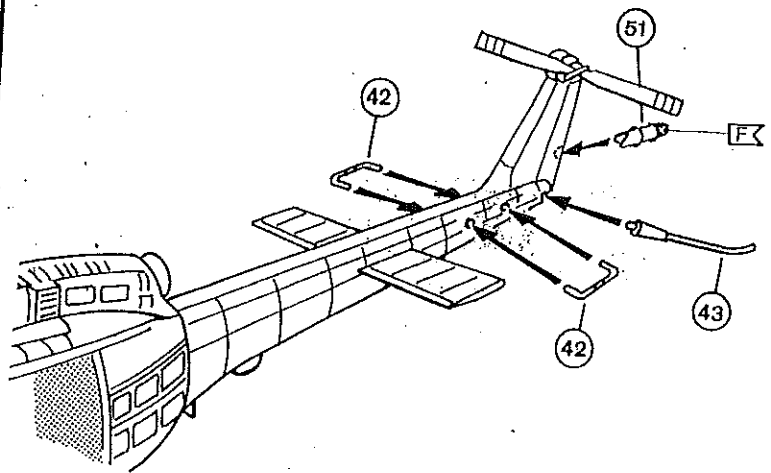
18



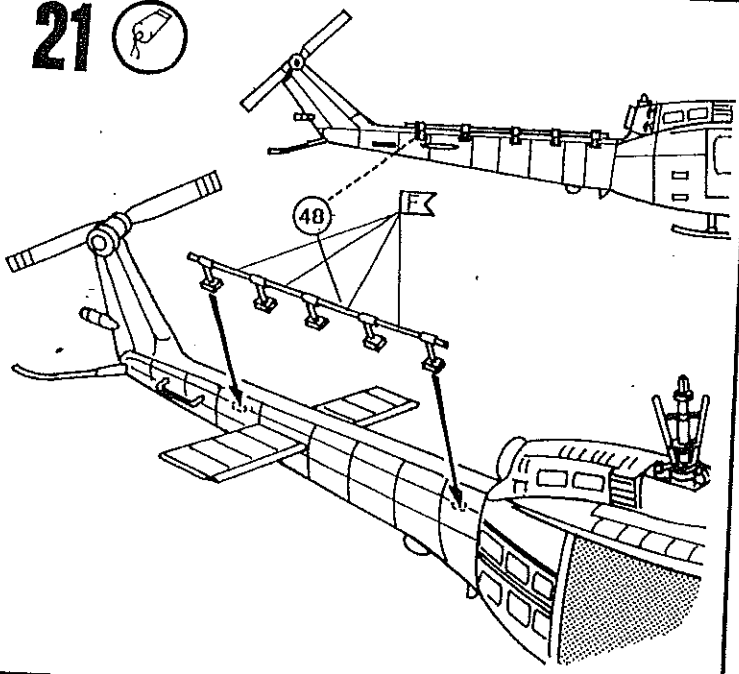
19



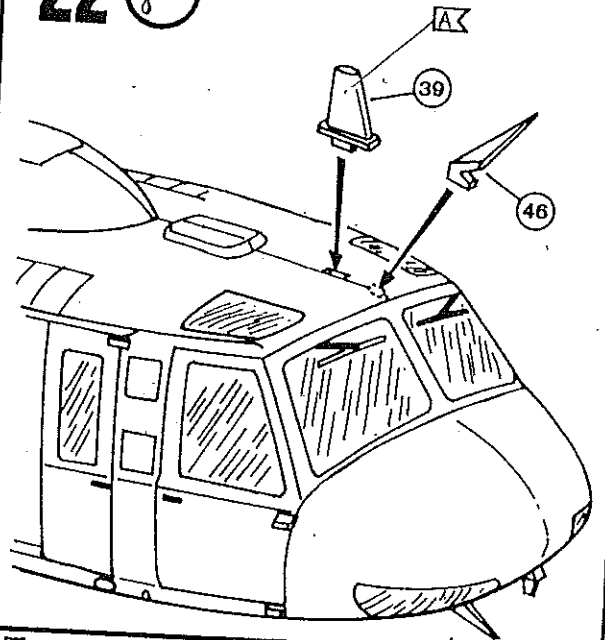
20



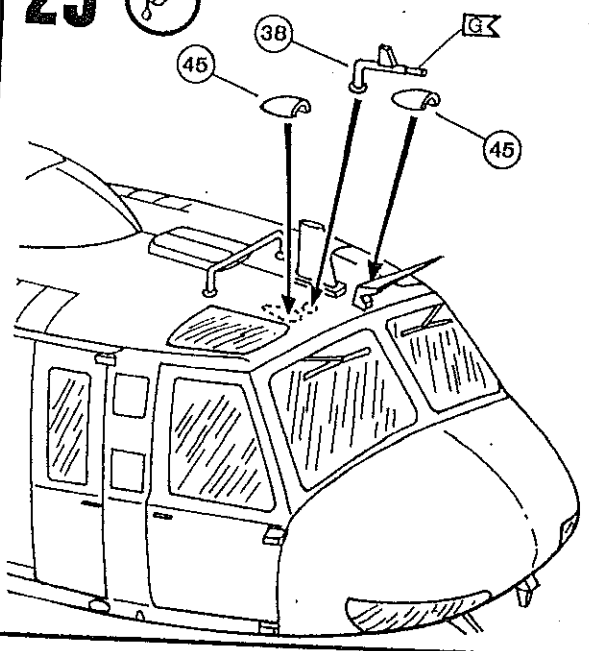
21



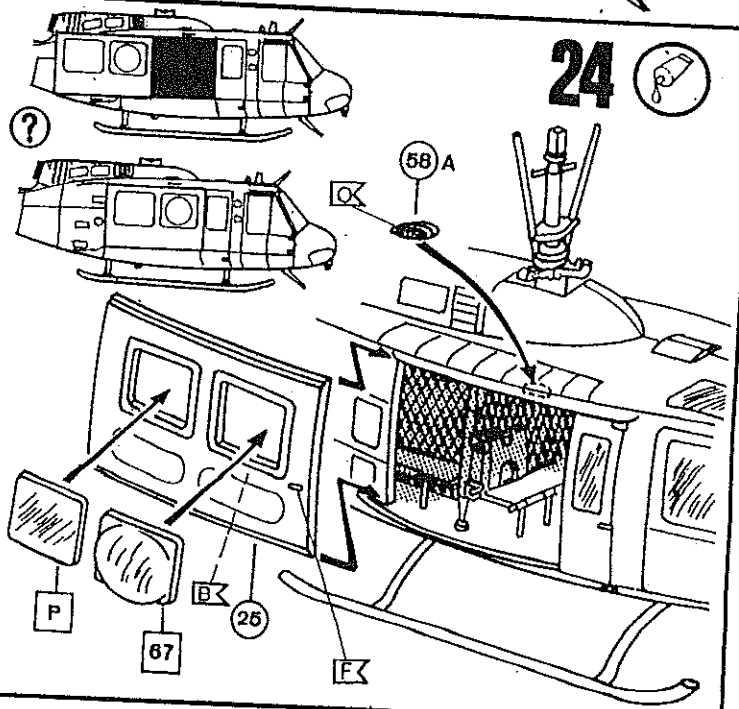
22



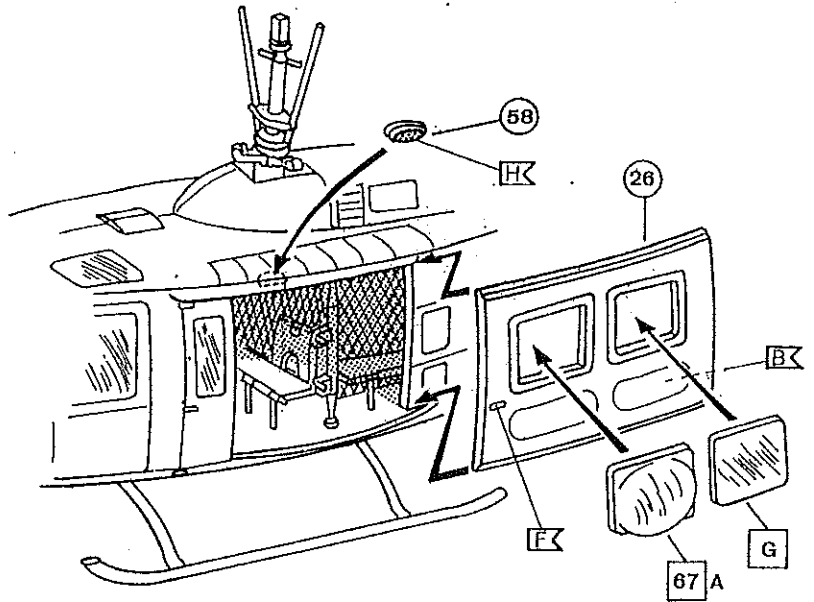
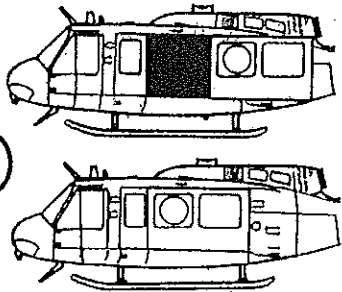
23



24



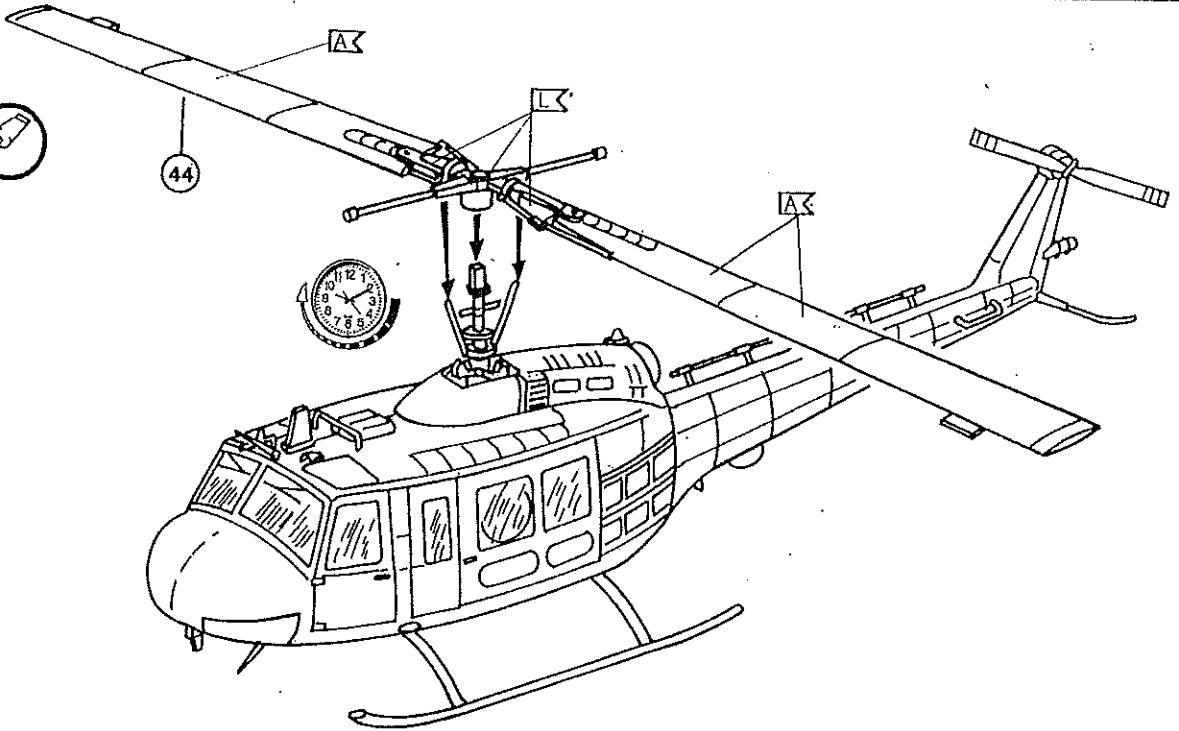
25



26

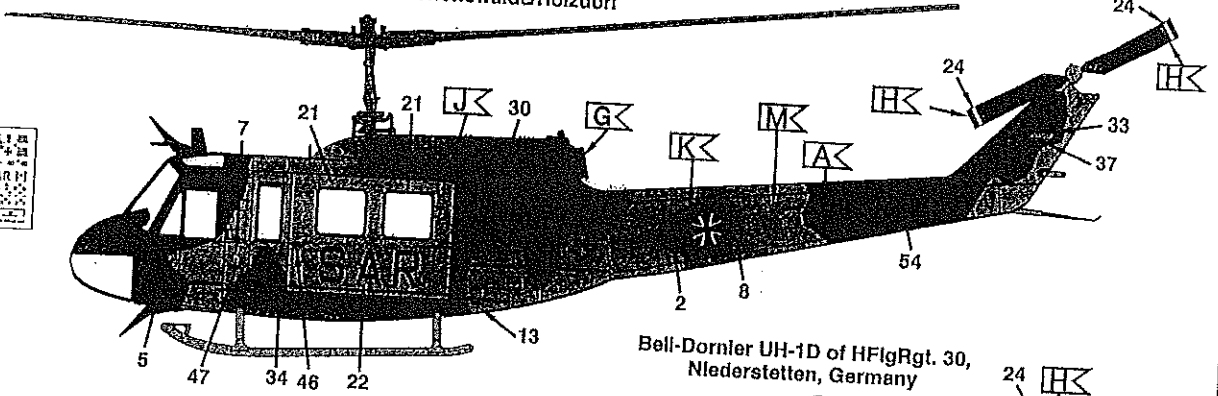


44

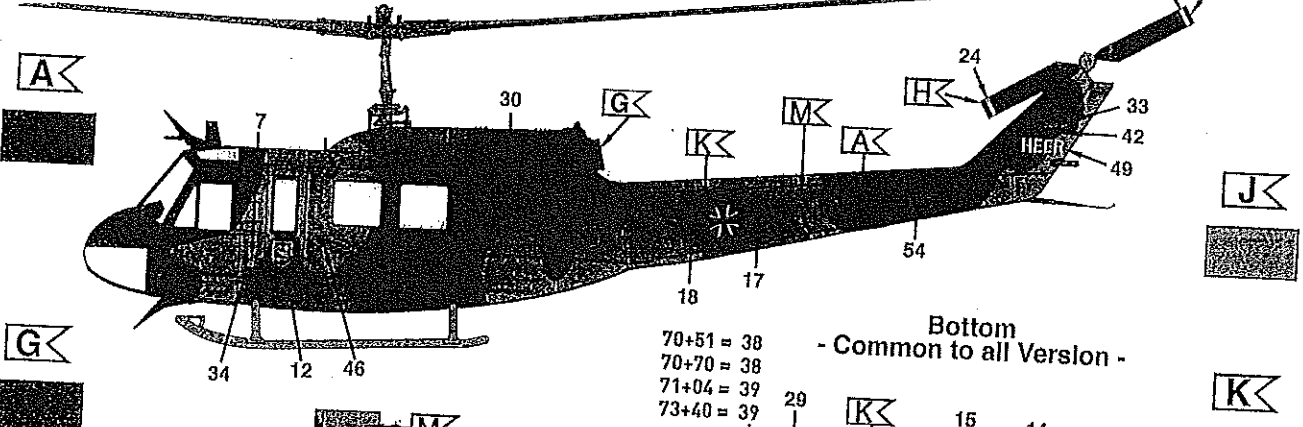


27

Bell - Dornier UH-1D of Lufttransportgeschwader 62 at Schönewalde/Holzdorf

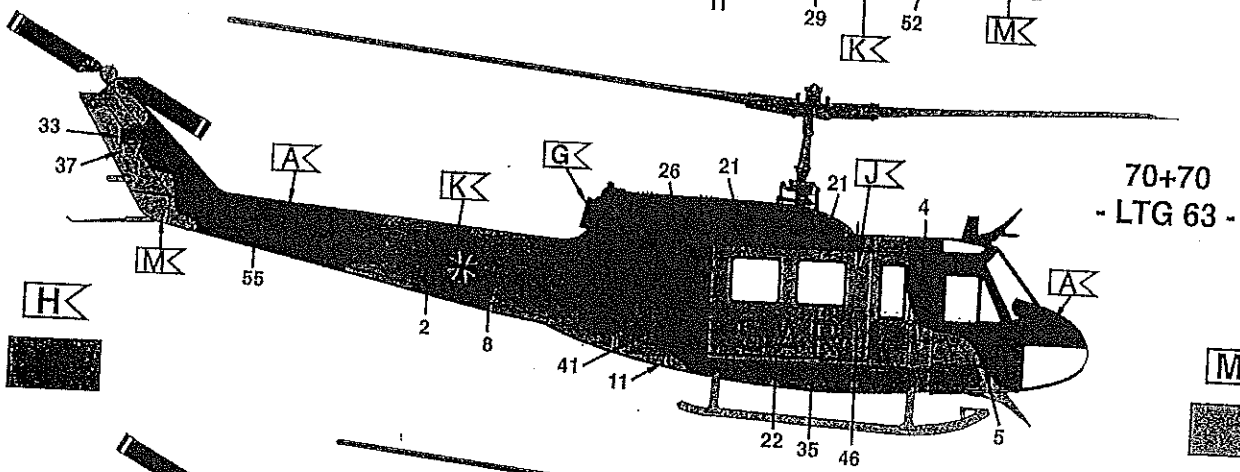
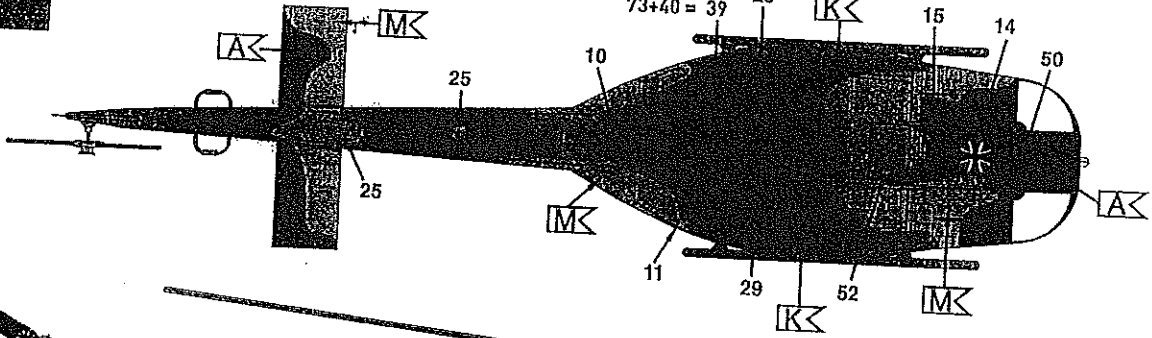


Bell-Dornier UH-1D of HFlgRgt. 30, Niederstetten, Germany

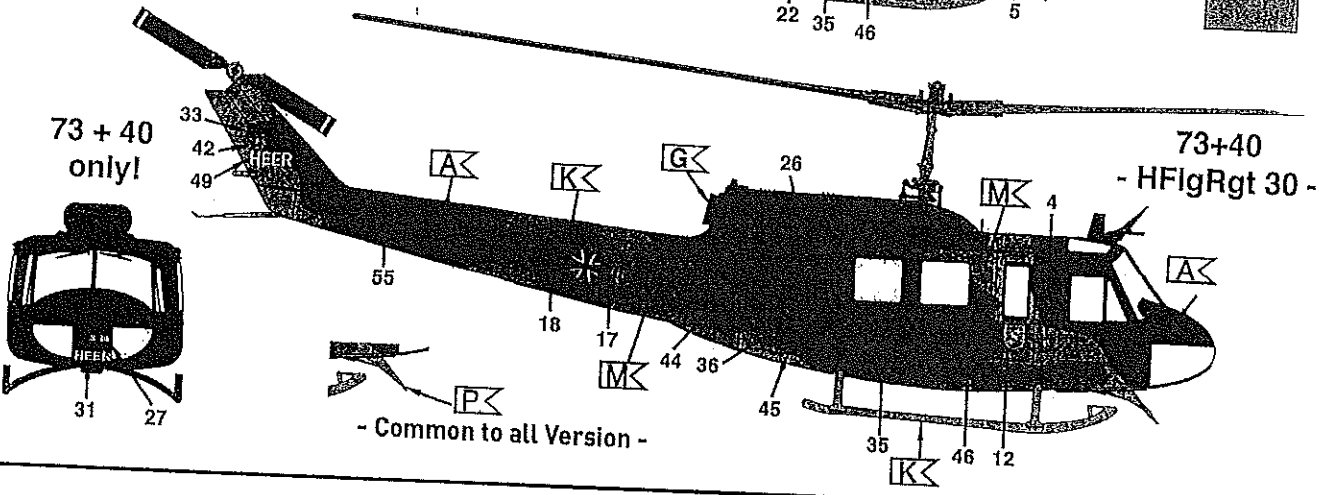


Bottom - Common to all Version -

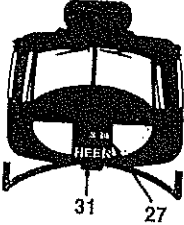
- 70+51 = 38
- 70+70 = 38
- 71+04 = 39
- 73+40 = 39



70+70 - LTG 63 -



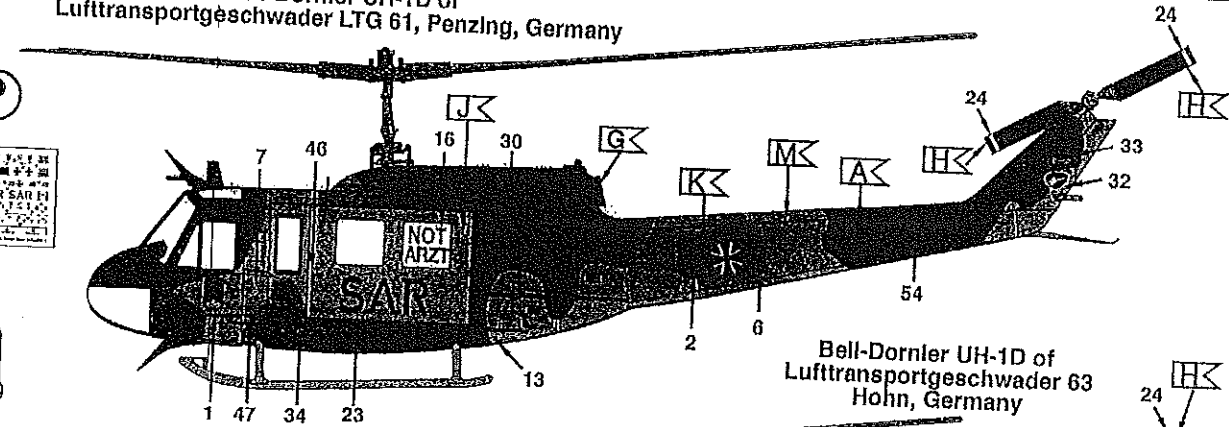
73+40 - HFlgRgt 30 -



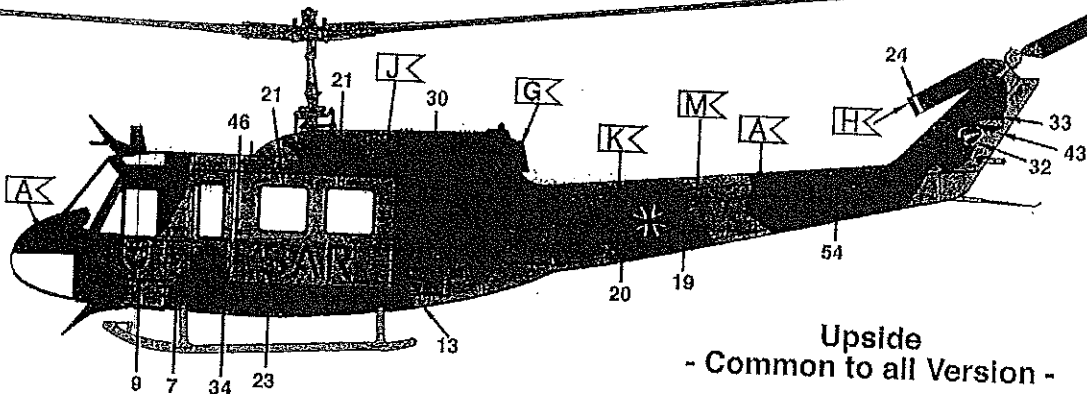
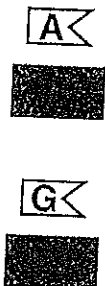
- Common to all Version -

28

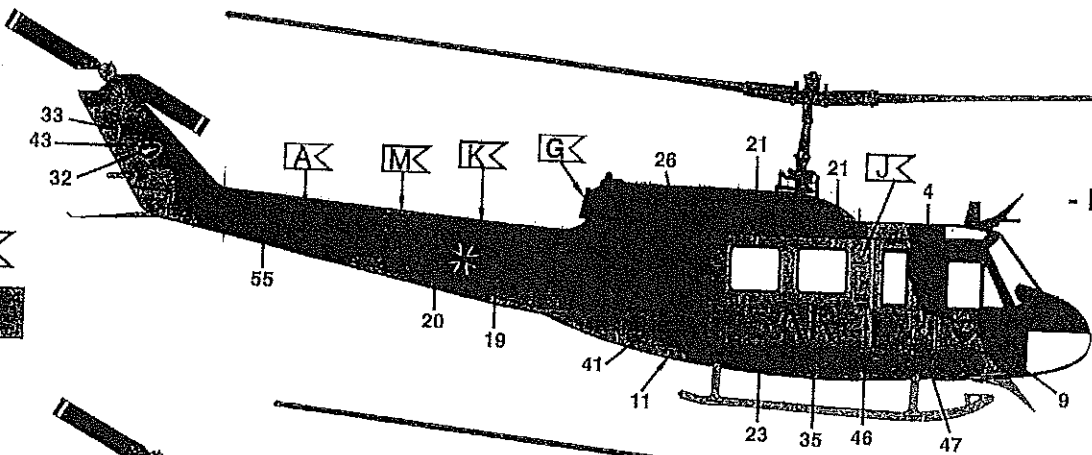
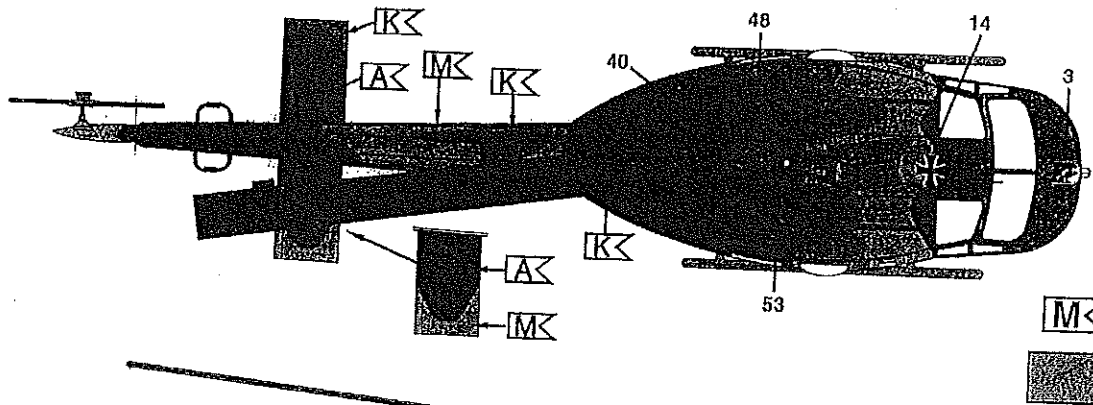
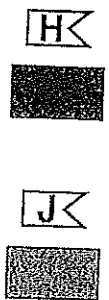
Bell-Dornier UH-1D of
Lufttransportgeschwader LTG 61, Penzing, Germany



Bell-Dornier UH-1D of
Lufttransportgeschwader 63
Hohn, Germany

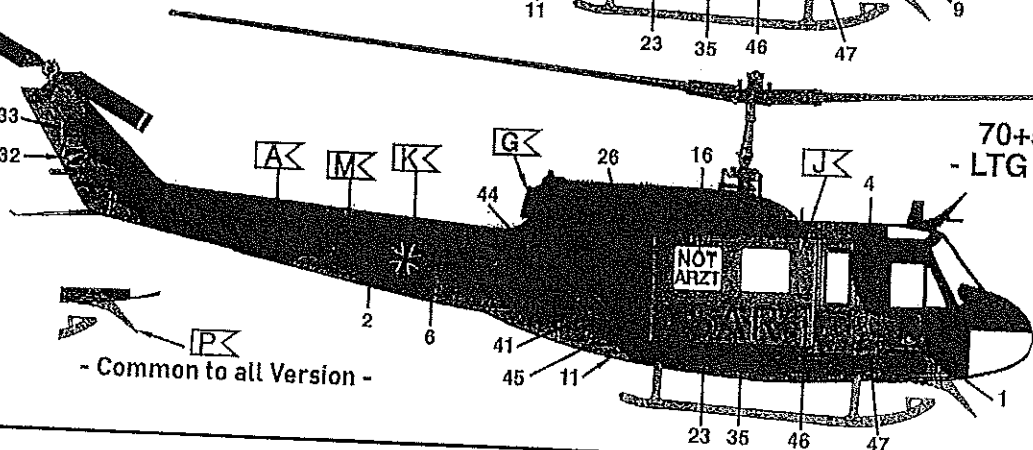
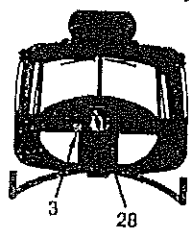


Upside
- Common to all Version -



71+04
- LTG 63 -

70 + 51 only!



70+51
- LTG 61 -

- Common to all Version -