

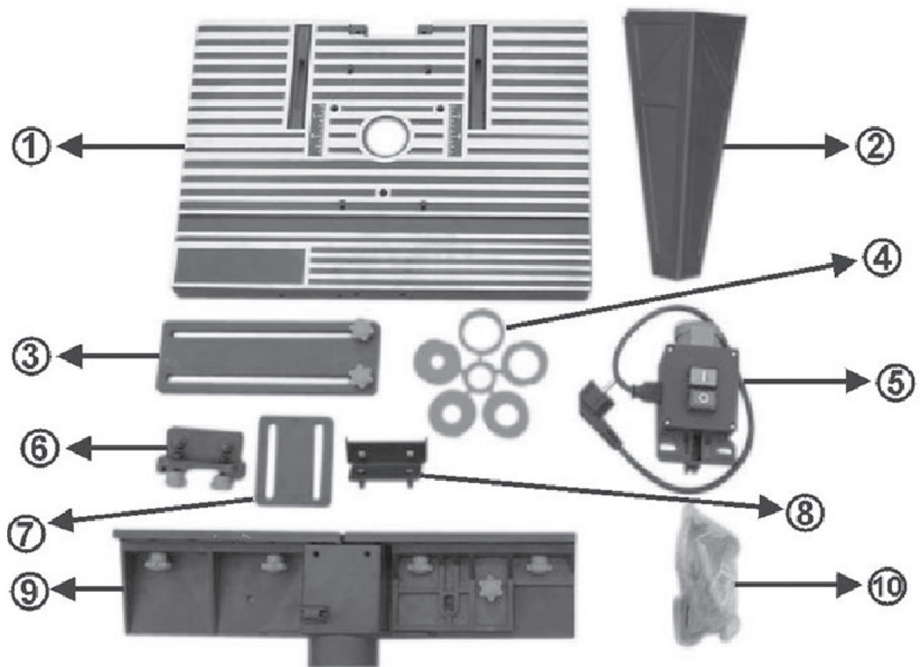
FERM®

POWER SINCE 1965

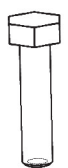


PRA1011

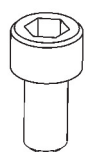
07	EN Original instructions	07	HU Eredeti használati utasítás fordítása	61
11	DE Übersetzung der Originalbetriebsanleitung	11	CS Překlad původního návodu k používání	66
17	NL Vertaling van de oorspronkelijke gebruiksaanwijzing	17	SK Prevod izvirnih navodil	70
22	FR Traduction de la notice originale	22	SL Preklad pôvodného návodu na použitie	75
27	ES Traducción del manual original	27	PL Tłumaczenie instrukcji oryginalnej	79
32	PT Tradução do manual original	32	LT Originalios instrukcijos vertimas	85
38	IT Traduzione delle istruzioni originali	38	LV Instrukciju tulkojums no oriģinālvalodas	90
43	SV Översättning av bruksanvisning i original	43	RO Traducere a instrucțiunilor originale	95
48	FI Alkuperäisten ohjeiden käännös	48	RU Перевод исходных инструкций	101
52	NO Oversatt fra original veiledning	52	UK Переклад оригінальних інструкцій	106
57	DA Oversættelse af den originale brugsanvisning	57	EL Μετάφραση του πρωτοτύπου των οδηγιών χρήσης	112



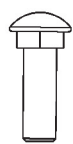
Philips head screw



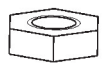
Hex head bolt



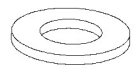
Allen hex head bolt



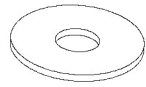
Coach bolt



Nut



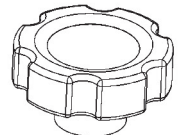
Flat washer



Big flat washer



Elastic washers



Locking knob

Fig. 1

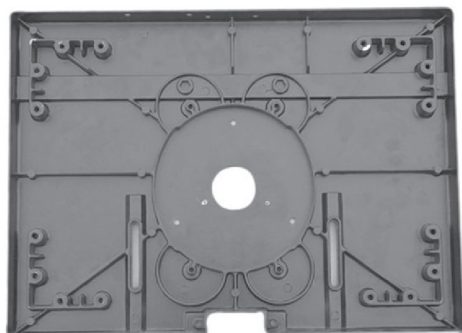


Fig. 2

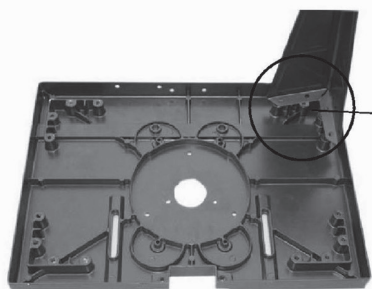


Fig. 3

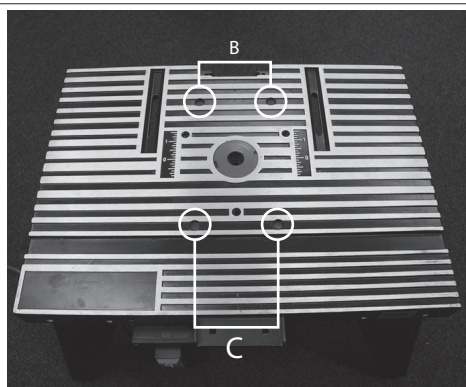


Fig. 4

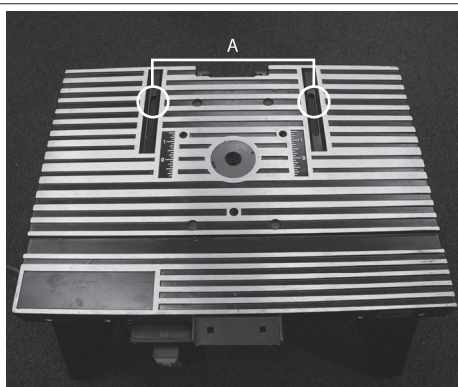


Fig. 5

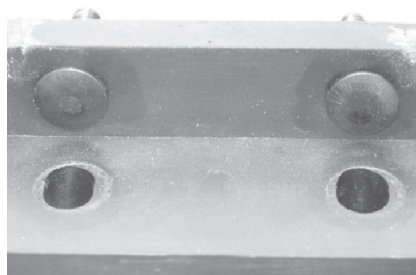


Fig. 6

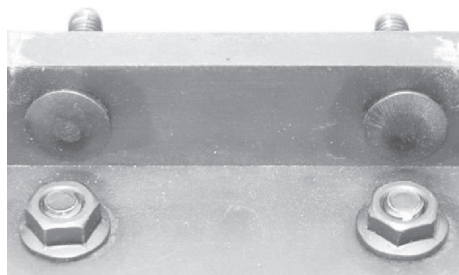


Fig. 7

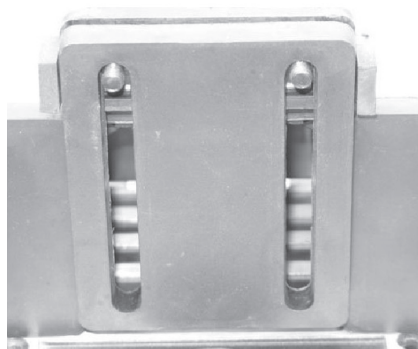


Fig. 8

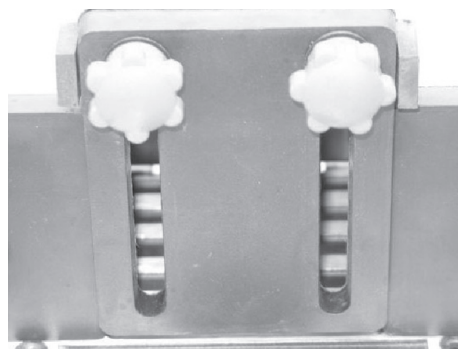


Fig. 9



Fig. 10

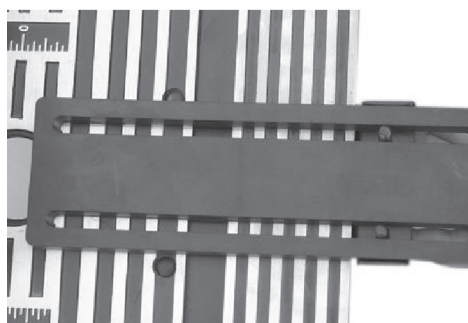
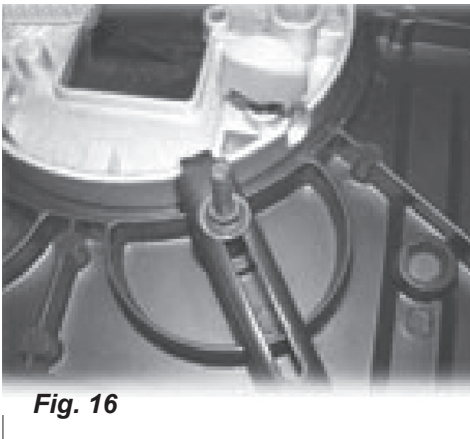
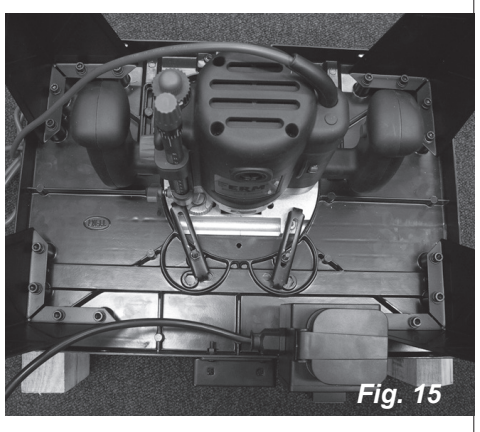
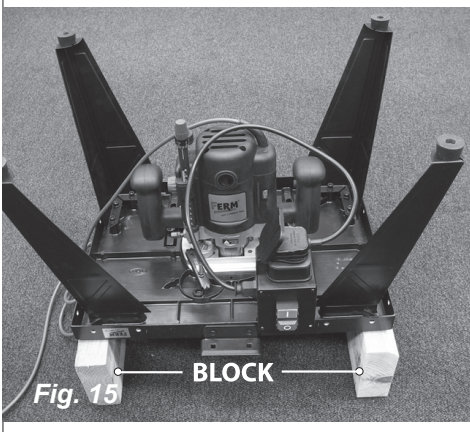
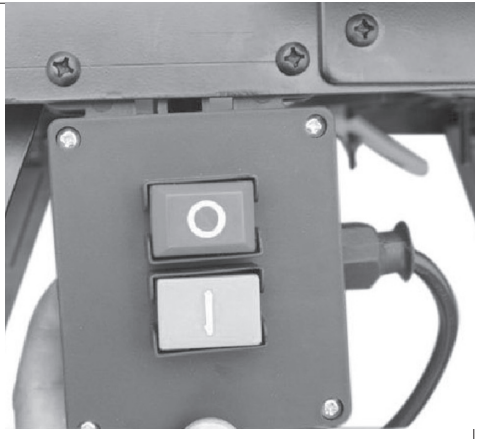
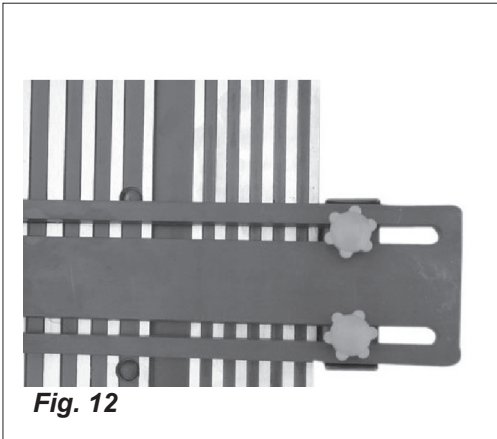


Fig. 11



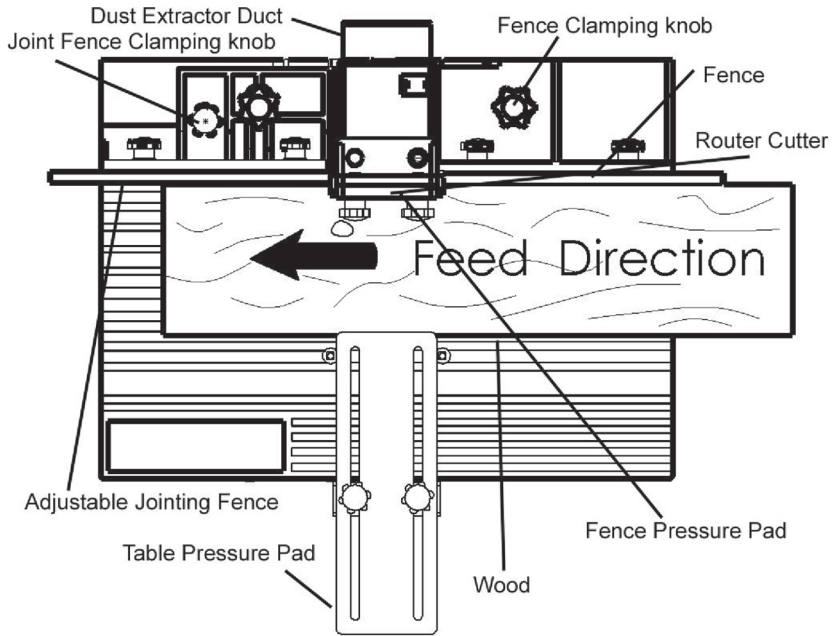


Fig. A

ROUTER TABLE

Thank you for buying this Ferm product.

By doing so you now have an excellent product, delivered by one of Europe's leading suppliers. All products delivered to you by Ferm are manufactured according to the highest standards of performance and safety. As part of our philosophy we also provide an excellent customer service, backed by our comprehensive Warranty. We hope you will enjoy using this product for many years to come.

The numbers in the text refer to the diagrams on pages 2-6.



Read the operating instructions carefully before using this device. Familiarize yourself with its functions and basic operation. Service the device as per the instructions to ensure that it always functions properly. The operating instructions and the accompanying documentation must be kept in the vicinity of the device.

Contents

1. Machine information
2. Safety instructions
3. Assembly
4. Operation
5. Maintenance

1. MACHINE INFORMATION

Technical specifications

Voltage	230 V
Frequency	50 Hz
Maximum current	10 A
IP class	IP 20
Table size	455x330 mm
Max router base plate diameter	162 mm
Weight	6 kg

Product information

Fig. 1

1. Table top
2. Table leg
3. Table pressure pad including fittings
4. Table insert

5. Switch box
6. Guide for fence pressure pad
7. Fence pressure pad
8. Guide for table pressure pad
9. Fence profile
10. Plastic bag containing screws and fittings



The plastic bag is not a toy! Avoid danger of suffocation, keep this bag away from babies and children. Do not use in cribs, beds, carriages or play pens. Knot bag before throwing away

Package contents

- 1 Table top
- 4 Table legs
- 1 Table pressure pad, including fittings (set)
- 1 Table insert (set)
- 1 Switch box
- 1 Guide for fence pressure pad (set)
- 1 Fence pressure pad
- 1 Guide for table pressure pad (set)
- 1 Fence profile
- 4 Knobs
- 1 Plastic bag containing screws and fittings, details please refer to the followings:
 - 4 Philips head screws, M6X20
 - 4 Hex head bolts, M6X16
 - 1 Hex head bolts, M6X25
 - 1 Hex head bolts, M6X40
 - 16 Allen hex head bolts, M6X12
 - 4 Coach bolts, M5X50
 - 6 Nuts, M6
 - 4 Nuts, M5
 - 18 Flat washers, Ø 6
 - 2 Big flat washers, Ø 6
 - 16 Elastic washers, Ø 6
 - 2 Locking knobs
- 1 Users manual
- 1 Warranty card

2. SAFETY INSTRUCTIONS

Explanation of the symbols



Denotes risk of personal injury, loss of life or damage to the tool in case of non-observance of the instructions in this manual.



Indicates electrical shock hazard.



Danger! Keep hands away from moving parts.



Wear ear protection.



Wear safety glasses.



Wear dust mask.

Additional safety instructions

Safety is a combination of common sense, staying alert and knowing how your router table works. Read this manual to understand this router table.

- Always wear eye protection.
- Noise levels vary widely with location. To avoid possible hearing damage, wear ear plugs or ear muffs when using your router table for long periods of time.
- For dusty operations, wear a dust mask along with safety goggles.
- Follow the instructions in your router owner's manual.
- Warning! Vibrations, caused by the router during use, can cause fasteners to become loose. Before use and periodically during use, check all fasteners to make sure that all are tight and secure.
- Do not use this product until all assembly and installation steps have been completed. Make sure you have read and understand all safety and operational instructions in this manual and the router owner's manual.
- Make sure that the router bit is properly positioned and clamped in the router before making any cuts.
- Do not use the router table as a workbench or work surface. Doing so may damage it, causing it to be unsafe to use. A workbench should be used for this purpose.
- This product is designed for cutting flat workpieces. Do not cut or attempt to cut workpieces that are not flat.
- This product is designed for cutting wood workpieces only. Do not use to cut metal or other non-wood materials.
- The use of auxiliary in-feed and out-feed supports is strongly recommended when routing long workpieces. Otherwise those workpieces can cause the router table to tip over.
- Keep hands clear of the router bits and working area.
- Make and use a push stick to move small workpieces across the cutting area.
- Clean the router after use. The use of a wet/dry vac or vacuum equipment is recommended.
- Always make sure that work surface of the router table is clean and free from dust, chips, and foreign particles that can interfere with the cut you are going to make. The use of a wet/dry vac or vacuum equipment is recommended.
- The fence that comes with the router table has a dust collector to which a wet/dry vac can be attached.
- Check the function of the guard before each use. Remove all dust, chips, and any other foreign particles that can affect its function.
- Warning! Never put your fingers under the overhead guard when the router is plugged into and electrical outlet or when the router bit is rotating.
- Always feed the workpiece against the rotation of the cutter or router bit.
- Router bits are extremely sharp, be extra careful when handling and using them.
- Make sure that the router bits being used are sharp or have been properly re-sharpened. This will permit fast, efficient, and safe routing.
- Some routers, when positioned in an upside down position (such as on an router table), will drop or fall out of the router base when the base clamp is loosened to adjust height or depth of cut. Therefore, it is extremely important to support the router from below when making these adjustments or whenever the base clamp is loosened.
- Always look under the router table at the router switch box when turning the router ON or OFF. Do not touch anything but the switch box when doing this. Never reach under the router table for any reason when the router table is running, except to turn it OFF.
- Warning! Before making any cut, make sure the router is turned OFF, the router bit is not rotating, and the power cord is unplugged from the electrical outlet. Then, make absolutely sure that the overhead guard clears the router bit and the workpiece.

A trial pass, with the router turned OFF and the router bit not turning, is strongly recommended.

- Warning! Never leave the router table unattended while the router is running. Turn the router OFF before leaving the router table for any reason.

Electrical safety



Always check that the power supply corresponds to the voltage on the rating plate.

Replacing cables or plugs

Immediately throw away old cables or plugs when they have been replaced by new ones. It is dangerous to insert the plug of a loose cable in the wall outlet.

Using extension cables

Only use an approved extension cable suitable for the power input of the machine. The minimum conductor size is 1.5 mm². When using a cable reel always unwind the reel completely.

3. ASSEMBLY

Assembling the router table

Fig. 1 - 13



Before assembling the table, ensure all components are present. In case of shortages please contact the service address on the warranty card.

To assemble your router table, do the following:

- Lay the table top (1, Fig.1) upside down on a flat surface (Fig.2).
- Place a table leg (2, Fig.1) using four hex head bolts (M6X12) and nuts (M6), do not fully tighten yet (Fig.3).
- Repeat the above for the other three legs, and make sure the four legs are on the same flat surface, then tighten all the bolts.
- Once all four legs are securely tightened, turn assembly over, check the table assy does not rock. If any rocking is detected, this must be rectified before continuing by loosening the bolts on the offending leg/legs and adjusting accordingly.
- Insert two coach bolts (M5X50) into holes

marked "B" from the top of the table (Fig.4).

- Attach the fence (9, Fig.1), using hex head bolts, washers and knobs supplied. Insert the bolts through the underside of the table through the holes marked "A" (Fig. 5). Place the fence on the bolts and secure in position with washers and knobs.

Note: Use the graduated scales to line up the fence accurately.

- Fit the fence pressure pad (7, Fig. 1) by doing the following:
 - Loosen all the fittings on the guide for fence pressure pad (6, Fig. 1).
 - Insert two coach bolt (M6X25) into the holes on the top of guide for fence pressure pad (Fig. 6).
 - Put the guide for fence pressure pad on the top of fence, and align two holes with the two holes on the fence, then insert two bolts (M6X25) into the holes, and secure in position with nuts (Fig. 7).
 - Slide the two front fence, in order to have enough space for fence pressure pad, then put fence pressure pad on the two bolts, and secure it in position with washer and locking knob (Fig. 8 and Fig. 9).
- Fit table pressure pad (3, Fig. 1) by doing the following:
 - Loosen all the fittings on table pressure pad.
 - Loosen two screws on guide for table pressure pad (8, Fig. 1), and align two hole on guide for table pressure into the two holes on the front side wall on the table, then insert two screws into the holes, secure it in position with nut (Fig. 10).
 - Insert two coach bolts (M6X25) into the hole on guide for table pressure pad, and put table pressure pad on the two bolts, and secure it in position with washer and locking knob (Fig. 11 and Fig. 12)
- Fit the switch box (5, Fig. 1) by doing the following:
 - Align two holes on switch box into the two holes on the front side wall of table.
 - Fit in position with two Phillips head screws inserted from the front of table secured with two nuts (Fig. 13).

Mounting the router

Fig.14 - 16

Attach the router to the router table by doing the following:

- Loosen the fence securing knobs and slide fence forwards as far as possible, this prevents the router coach bolts (M5X50) from falling through the table when it is turned over.
- Carefully turn the table over and support by it laying it onto suitable sized blocks of wood or similar supportable items. (Fig. 14)
- Place the router in position on the underside of the table as central as possible. Insert two coach bolts into holes marked "C" (Fig. 4) from the table top, now underneath (Fig. 15).
- Loosely secure router in position with the 4 bolts (Fig. 16). It may be necessary to rotate the router in order to locate all 4 bolts correctly. If router is fitted with a speed control, try if possible to position the speed control where it can easily be accessed from the front of the table. Once the router is in the desired position, tighten the 4 bolts sufficiently to prevent the router moving whilst in operation.
- Plug the router plug into the receptacle of the switch box.



This router table only can fit routers with up to 162mm diameter base plate.

- Your router table is now fully assembled and ready for use.

4. OPERATION



When making adjustments etc, always ensure the router is isolated from the main electrical supply by switching off and removing the plug from the socket.

Note: Always refer to the specific router operating instruction manual when making height and speed adjustments etc.

Installing bits

To install bits whilst the router is situated in the table will require the router to be lowered fully. Select desired bit and install. Fit the table insert closest to the size of the bit, ensure the bit does not touch the insert.

Height adjustment

Raise the router until the bit protrudes through the table the required amount. Make test cuts on scrap pieces of wood to set accurately.

Fence adjustment

Loosen the two fence clamping knobs and position the fence as desired, use the graduation marks to set the fence parallel. Make test cuts on scrap pieces of wood to set accurately.

Pressure pad

Set the fence pressure pad to hold the piece of wood flat on the table and against the fence whilst machining. To do this, place the piece of wood against the fence and below the relevant pad to be adjusted, loose the two locking knobs and lower the pad until it rests on the wood, push the pad down a little further to apply sufficient pressure to hold the wood flat on the table. Adjust the table feather board in the same manner to hold the wood firmly against the fence.

Jointing fence

Set the jointing fence to support the wood when cutting the full thickness. Adjust the cutting depth etc as previously described, proceed to machine the piece of wood until the lead edge passed over the jointing fence by approx 25mm. Switch off and isolate from the main electrical supply. Hold the wood firmly against the Fence, loosen the jointing fence clamping knob, slide the jointing fence out towards the wood until it touches, tighten the clamping knob. Back the workpiece away from the cutter before switching on again and continuing machining.



As with all power tools, especially those with cutters/blades, keep hands and fingers safety away from blades by using push sticks etc when working on small workpieces.

Dust extraction

Fig. 17

The router table is provided with a dust extraction facility, where a vacuum extractor may be connected to the outlet at the rear of the table, using the adapter supplied. The connection hose requires an inside diameter of 34 mm to fit the adapter supplied, the hose, ideally should be a reasonably tight fit on the adapter, which is then just pushed into the hole in the back of the table.

Note however, that this does not preclude the user from wearing a face mask to prevent the inhalation of dust particles.

5. MAINTENANCE



When carrying out maintenance etc, always ensure the router is isolated from the main electrical supply by switching off and removing the plug from the socket.

The machine has been designed to operate over a long period of time with a minimum of maintenance. Continuous satisfactory operation depends upon proper machine care and regular cleaning.

Cleaning

Keep the ventilation slots of the machine clean to prevent overheating of the engine. Regularly clean the machine housing with a soft cloth, preferably after each use. Keep the ventilation slots free from dust and dirt. If the dirt does not come off use a soft cloth moistened with soapy water. Never use solvents such as petrol, alcohol, ammonia water, etc. These solvents may damage the plastic parts.

Lubrication

This machine needs no additional lubrication.

Faults

Should a fault occur, e.g. after wear of a part, please contact the service address on the warranty card. In the back of this manual you find an exploded view showing the parts that can be ordered.

Environment

To prevent damage during transport, the appliance is delivered in a solid packaging which consists largely of reusable material. Therefore please make use of options for recycling the packaging.

Warranty

For the conditions of warranty, please refer to the separately provided warranty card.

FRÄSTISCH

Vielen Dank, dass Sie sich für den Kauf dieses Ferm-Produkts entschieden haben.

Sie besitzen nun ein hervorragendes Produkt von einem führenden europäischen Lieferanten. Alle Ferm-Produkte werden nach höchsten Leistungs- und Sicherheitsstandards gefertigt. Gemäß unserer Philosophie bieten wir Ihnen einen exzellenten Kundenservice sowie eine vollständige Garantie auf unsere Produkte. An diesem Produkt werden Sie noch viele Jahre Ihre Freude haben.

Die Ziffern im nachstehenden Text verweisen auf die Abbildungen auf Seite 2-6.



Lesen Sie diese Bedienungsanleitung aufmerksam, bevor Sie die Maschine in Betrieb nehmen. Machen Sie sich mit der Funktionsweise und der Bedienung vertraut. Warten Sie die Maschine entsprechend der Anweisungen, damit sie immer einwandfrei funktioniert. Die Betriebsanleitung und die dazugehörige Dokumentation müssen in der Nähe der Maschine aufbewahrt werden.

Inhalt

1. Informationen über die Maschine
2. Sicherheitsanweisungen
3. Montage
4. Betrieb
5. Wartung

1. GERÄTEDATEN

Technische Daten

Spannung	230 V
Frequenz	50 Hz
Maximale Stromstärke	10 A
IP-Klasse	IP 20
Tischgröße	455 x 330 mm
Max. Durchmesser der Fräserbasisplatten	162 mm
Gewicht	6 kg

Produktinformation

Abb. 1

1. Tischplatte
2. Tischbein

3. Tischniederhalter einschließlich Passstücke
4. Tischeinlage
5. Schalter
6. Führung für den Abschirmungsniederhalter
7. Abschirmungsniederhalter
8. Führung für den Tischniederhalter
9. Abschirmungsprofil
10. Kunststoffbeutel mit Schrauben und Passstücken



Der Kunststoffbeutel ist kein Spielzeug! Um Erstickungsgefahr zu vermeiden, den Beutel außer-halb der Reichweite von Säuglingen und Kindern aufbewahren. Den Beutel nicht in Babywiegen, Kinderbetten, Kinderwägen oder zur Aufbewahrung von Malstiften verwenden. Den Beutel vor dem Wegwerfen zuknoten.

Packungsinhalt

- 1 Tischplatte
- 4 Tischbeine
- 1 Tischniederhalter, einschließlich Passstücke (Satz)
- 1 Tischeinlage (Satz)
- 1 Schalter
- 1 Führung für den Abschirmungsniederhalter (Satz)
- 1 Abschirmungsniederhalter
- 1 Führung für den Tischniederhalter (Satz)
- 1 Abschirmungsprofil
- 4 Spannräder
- 1 Kunststoffbeutel mit Schrauben und Passstücken, im Einzelnen:
 - 4 Kreuzschlitzschrauben, M6X20
 - 4 Sechskantschrauben, M6X16
 - 1 Sechskantschrauben, M6X25
 - 1 Sechskantschrauben, M6X40
 - 16 Innensechskantschrauben, M6X12
 - 4 Rundkopfschrauben, M5X50
 - 6 Muttern, M6
 - 4 Muttern, M5
 - 18 Flachbeilagscheiben, Ø 6
 - 2 Große Beilagscheiben, Ø 6
 - 16 Elastische Beilagscheiben, Ø 6
 - 2 Spannräder
- 1 Bedienerhandbuch
- 1 Garantiekarte

2. SICHERHEITSVORSCHRIFTEN

Erklärung der Symbole



Weist auf das Risiko von Körperverletzung, Tod oder Beschädigung des Werkzeugs hin, falls die in diesem Handbuch enthaltenen Anweisungen nicht beachtet werden.



Weist auf die Gefahr eines Elektroschocks hin.



Gefahr! Keine bewegenden Teile berühren.



Gehörschutz tragen.



Sicherheitsbrille tragen.



Staubmaske tragen.

Zusätzliche Sicherheitsanweisungen

Sicherheit ist eine Kombination aus gesundem Menschenverstand, Aufmerksamkeit und Kenntnis der Arbeitsweise der Fräsbank. Lesen Sie dieses Handbuch durch; hier erfahren Sie Näheres über die Arbeitsweise der Fräsbank.

- Stets einen Augenschutz tragen.
- Der Lärmpegel ist vom Einsatzort abhängig. Um mögliche Gehörschäden zu vermeiden, bei längeren Arbeiten mit der Fräsbank stets Ohrstöpsel oder einen Gehörschutz tragen.
- Bei staubigen Arbeiten eine Staubmaske und eine Sicherheitsbrille tragen.
- Die Anweisungen im Besitzerhandbuch der Fräsbank beachten.
- Warnung! Durch die von der Fräsbank beim Betrieb verursachten Erschütterungen können sich Schraubverbindungen lösen. Deshalb ist vor dem Einsatz und in regelmäßigen Abständen während des Einsatzes zu prüfen, dass alle Verbindungen korrekt angezogen sind und dadurch sicher sind.
- Das gegenständliche Produkt erst einsetzen, nachdem alle Montage- und Installationsschritte durchgeführt wurden.

Stellen Sie sicher, dass Sie alle in diesem Handbuch und im Besitzerhandbuch der Fräsbank enthaltenen Sicherheits- und Betriebsanweisungen gelesen und verstanden haben.

- Stellen Sie sicher, dass das Fräswerkzeug ordnungsgemäß in der Fräsbank platziert und be-festigt ist, bevor Sie mit der Fräsbank schneiden.
- Den Tisch der Fräsbank nicht als Werkbank oder Arbeitsfläche verwenden. Er könnte hierdurch beschädigt und unsicher werden. Hierfür sollte eine Werkbank verwendet werden.
- Dieses Produkt ist zum Schneiden flacher Werkstücke bestimmt. Sie sollten deshalb nicht ver-suchen, Werkstücke zu schneiden, die nicht flach sind.
- Dieses Produkt ist nur zum Schneiden von Werkstücken aus Holz bestimmt. Deshalb dürfen keine Werkstücke aus Metall oder anderen Werkstoffen, bei denen es sich nicht um Holz handelt, ge-schnitten werden.
- Beim Fräsen von langen Werkstücken wird die Verwendung von Beschickungs- und Austrags-hilfen empfohlen. Ansonsten könnten diese Werkstücke bewirken, dass die Fräsbank umkippt.
- Die Hände von den Fräswerkzeugen und vom Arbeitsbereich fernhalten.
- Kleinere Werkstücke mit einem Schubstock über den Schneidbereich schieben.
- Die Fräsbank nach dem Einsatz säubern. Hierzu einen Staubsauger bzw. ein Feucht-/Trockensaugsystem verwenden.
- Stets sicherstellen, dass die Arbeitsfläche der Fräsbank sauber und frei von Staub, Spänen und Fremdkörpern ist, die sich nachteilig auf Ihre Schneidarbeiten auswirken könnten. Hierzu einen Staubsauger bzw. ein Feucht-/Trockensaugsystem verwenden.
- Die zusammen mit der Fräsbank gelieferte Abschirmung besitzt einen Staubkollektor, an den ein Feucht-/Trockensaugsystem angeschlossen werden kann.
- Die Schutzabdeckung vor dem Einsatz auf Funktionstüchtigkeit prüfen. Dabei Staub, Späne und Fremdkörper, die sich nachteilig auf die Funktionstüchtigkeit des Schutzes auswirken könnten, ent-fernen.
- Warnung! Nie die Finger unter die obere Abdeckung schieben, wenn die Fräsbank ans Netz angeschlossen ist bzw. sich das Fräswerkzeug dreht.

- Das Werkstück immer gegenläufig zur Drehung des Schneidmessers bzw. des Fräswerkzeugs zuführen.
- Fräswerkzeuge sind extrem scharf; passen Sie deshalb beim Umgang mit ihnen auf.
- Sicherstellen, dass die verwendeten Fräswerkzeuge scharf oder nachgeschliffen sind. Nur so kann schnell, effizient und sicher gefräst werden.
- Bei einigen Fräsern kann, wenn sie auf den Kopf gestellt werden (wie auf dem Fräsbanktisch), das Fräswerkzeug aus dem Fräser fallen, wenn die Basisklammer zum Verstellen der Fräserhöhe oder der Schneidtiefe gelockert wird. Deshalb ist es sehr wichtig, den Fräser von unten festzuhalten, wenn solche Verstellungen vorgenommen werden bzw. die Basisklammer gelöst wird.
- Beim EIN- und AUS-Schalten des Fräasers immer unter den Tisch auf den Schalter schauen. Dabei nur den Schalter berühren. Bei laufendem Fräser nie unter den Tisch langen, außer um die Fräs-bank AUSZUSCHALTEN.
- Warnung! Bevor mit dem Fräser geschnitten wird, ist sicherzustellen, dass der Fräser auf AUS gestellt ist, dass sich das Fräswerkzeug nicht dreht und dass das Netzkabel nicht in die Steckdose ge-steckt ist. Dann ist sicherzustellen, dass das Fräswerkzeug und das Werkstück aus der oberen Abde-ckung herausragen. Es wird empfohlen, einen Versuch mit AUSGESCHALTETER Fräsbank und nicht drehendem Werkzeug durchzuführen.
- Warnung! Die Fräsbank nie mit drehendem Werkzeug unbeaufsichtigt lassen. Vor dem Weg-gehen immer die Fräsbank AUSSCHALTEN.

Elektrische Sicherheit



Stets sicherstellen, dass die Stromversorgung dem auf dem Typenschild angegebenen Span-nungswert entspricht.

Austausch von Kabeln oder Steckern

Alte Kabel oder Stecker, die durch neue ersetzt wurden, sofort wegwerfen. Es ist gefährlich, wenn der Stecker eines losen Kabels in eine Steckdose eingesteckt wird.

Verwendung von Verlängerungskabeln

Nur Verlängerungskabel verwenden, die für die Stromaufnahme der Maschine bemessen sind. Die Kabel müssen einen Mindestleiterquerschnitt von 1,5 mm² haben. Wenn eine Kabeltrommel verwendet wird, die Trommel immer vollständig abrollen.

3. MONTAGE

Montage des Fräsbanktischs

Abb. 1 - 13



Vor der Montage des Fräsbanktischs sicherstellen, dass alle Komponenten vorhanden sind. Falls Komponenten fehlen, die auf der Garantiekarte angegebene Adresse kontaktieren.

Bei der Montage des Fräsbanktischs wie folgt vorgehen:

- Die Tischplatte (1, Abb.1) verkehrt herum auf eine flache Fläche stellen (Abb.2).
- Ein Tischbein (2, Abb.1) mit vier Sechskantschrauben (M6X12) und Muttern (M6) anmontieren, aber die Verbindungen noch nicht fest anziehen (Abb.3).
- Den Vorgang für die anderen drei Beine wiederholen und sicherstellen, dass die vier Beine auf gleiche Höhe ausgerichtet sind.
- Sobald alle vier Beine fest angeschraubt sind, den Tisch drehen und auf die Beine stellen; dann sicherstellen, dass der Tisch nicht wackelt. Falls er wackelt, muss das Wackeln durch Einstellen korrigiert werden, bevor die Schrauben an dem/den betreffenden Bein(en) festgezogen werden.
- Zwei Rundkopfschrauben (M5X50) von oben in den Tisch durch die Bohrungen „B“ stecken (Abb.4).
- Die Abschirmung (9, Abb.1) mit Hilfe der mitgelieferten Sechskantschrauben, Beilagscheiben und Spannräder anbringen. Die Schrauben von unten durch die Bohrungen „A“ im Tisch schieben (Abb. 5). Die Abschirmung auf die Schrauben setzen und mit den Beilagscheiben und Spannräder grob positionieren.

Hinweis: Zum Feinpositionieren der Abschirmung die Gradskalen verwenden.

- Den Abschirmungsniederhalter (7, Abb. 1) wie folgt anbringen:
 - *Alle Passstücke auf der Führung des Abschirmungsniederhalters lösen (6, Abb. 1).*
 - *Zwei Rundkopfschrauben (M6X25) in die Bohrungen oben auf der Führung des Abschirmungsniederhalters einsetzen (Abb. 6).*
 - *Die Führung des Abschirmungsniederhalters oben auf die Abschirmung setzen und zwei Bohrungen mit den beiden Bohrungen auf der Abschirmung ausrichten, dann die beiden Schrauben (M6X25) in die Bohrungen einsetzen und mit Muttern festziehen (Abb. 7).*
 - *Die beiden vorderen Abschirmungen verschieben, um genügend Raum für den Abschirmungsniederhalter zu schaffen; dann den Abschirmungsniederhalter auf die beiden Schrauben setzen und mit Beilagscheibe und Spannradern in dieser Stellung festziehen (Abb. 8 und Abb. 9).*
- Den Tischniederhalter (3, Abb. 1) wie folgt anbringen:
 - *Alle Passelemente auf dem Tischniederhalter lösen.*
 - *Zwei Schrauben auf der Führung für den Tischniederhalter lösen (8, Abb. 1) und zwei Bohrungen auf der Führung für den Tischniederhalter gegenüber den zwei Bohrungen in der Vorderwand des Tisches ausrichten; dann zwei Schrauben in die Bohrungen einstecken und in dieser Stellung mit den Muttern festziehen (Abb. 10).*
 - *Zwei Rundkopfschrauben (M6X25) in die Bohrung auf der Führung für den Tischniederhalter einsetzen; dann den Tischniederhalter auf die beiden Schrauben setzen und dort mit Beilagscheibe und Spannrad festziehen (Abb. 11 und Abb. 12)*
- Den Schalter (5, Abb. 1) wie folgt montieren:
 - *Zwei Bohrungen auf dem Schalter und mit den zwei Bohrungen auf der Vorderwand des Tisches ausrichten.*
 - *Mit zwei Kreuzschlitzschrauben, die von der Vorderwand des Tisches eingesteckt und mit zwei Muttern gesichert werden, befestigen (Abb. 13).*

Montage des Fräasers

Abb.14 – 16

Den Fräser wie folgt am Fräsbanktisch befestigen:

- Die Spannräder, welche die Abschirmung halten, lösen und die Abschirmung soweit wie möglich nach vorne schieben; auf diese Weise wird verhindert, dass die Rundkopfschrauben (M5X50) des Fräasers beim Umdrehen durch den Tisch fallen.
- Den Tisch vorsichtig auf den Kopf stellen und auf geeignete Holzblöcke oder ähnliche Unterlagen legen. (Abb. 14)
- Den Fräser so mittig wie möglich auf der Tischunterseite platzieren. Zwei Rundkopfschrauben von der Tischoberseite aus, die jetzt nach unten zeigt (Abb. 15), in die Bohrung „C“ (Abb. 4) stecken.
- Den Fräser mit den 4 Schrauben etwas festziehen (Abb. 16). Es kann erforderlich sein, den Fräser zu drehen, um alle 4 Schrauben korrekt zu platzieren. Falls der Fräser mit einer Drehzahlkontrolle ausgestattet ist, ist die Drehzahlkontrolle so zu platzieren, dass sie von der Tischvorderseite aus gut zugänglich ist. Sobald sich der Fräser in der gewünschten Stellung befindet, die 4 Schrauben ausreichend anziehen, damit sich der Fräser beim Betrieb nicht bewegt.
- Den Fräserstecker im Schaltergehäuse einstecken.



In diesen Fräsbanktisch können nur Fräser mit einer Basisplatte mit max. Durchmesser 162 mm verwendet werden.

- Nun ist Ihr Fräsbanktisch vollständig montiert und einsatzbereit.

4. BETRIEB



Bei der Durchführung von Einstellarbeiten etc. stets sicherstellen, dass der Fräser nicht ans Netz angeschlossen ist, indem er ausgeschaltet und der Stecker aus der Steckdose gezogen wird.

Hinweis: Beim Verstellen von Höhe und Geschwindigkeit stets auf die fräaserspezifische Betriebsanleitung Bezug nehmen.

Installation von Fräsworkzeugen

Um Fräsworkzeuge zu installieren, während sich der Fräser im Tisch befindet, muss der Fräser in die unterste Stellung abgesenkt werden. Nun das gewünschte Werkzeug auswählen und installieren. Die Tischeinlage so gut wie möglich an die Werkzeuggröße anpassen, so dass das Werkzeug die Einlage nicht berührt.

Höhenverstellung

Den Fräser hochstellen, bis das Werkzeug die gewünschte Länge durch den Tisch ragt. Zum genauen Einstellen Testschnitte an Holzabfall durchführen.

Verstellung der Abschirmung

Die beiden Feststellräder der Abschirmung lösen und die Abschirmung wie gewünscht platzieren; dabei die Gradangaben verwenden, um die Abschirmung parallel einzustellen. Zum genauen Einstellen Testschnitte an Holzabfall durchführen.

Niederhalter

Den Abschirmungsniederhalter so einstellen, dass das Holzstück bei der Bearbeitung flach auf dem Tisch und gegen die Abschirmung gedrückt wird. Hierzu das Holzstück gegen die Abschirmung und unter den einzustellenden Niederhalter legen, die beiden Spannräder lösen und den Niederhalter absenken, bis er auf dem Holz aufliegt, dann den Niederhalter etwas weiter nach unten drücken, bis er einen ausreichenden Druck aufbringt, der das Holz flach auf dem Tisch hält. Auf analoge Weise auch den Tischniederhalter einstellen, der das Holz fest gegen die Abschirmung drückt.

Arbeitsabschirmung

Die Arbeitsabschirmung so einstellen, dass das Holz beim Schneiden durch die volle Stärke gehalten wird. Die Schneidetiefe wie vorstehend beschrieben einstellen und dann das Holzstück bearbeiten, bis die Vorderkante ca. 25 mm über die Arbeitsabschirmung hinausragt. Nun die Maschine ausschalten und von der Stromversorgung trennen. Das Holz fest gegen die Abschirmung halten, das Spannrad der Arbeitsabschirmung lösen, die Arbeitsabschirmung nach außen zum Holz hin schieben, bis es dieses berührt; nun das Spannrad wieder festziehen. Das Werkstück zurück von der Schneide wegnehmen, bevor die Maschine wieder eingeschaltet und weiter gearbeitet wird.



Wie bei allen Elektrowerkzeugen – vor allem Werkzeugen mit Schneiden bzw. Klingen – Hände und Finger aus Sicherheitsgründen von den Schneiden entfernt halten und beim Bearbeiten von kleinen Werkstücken Schubstöcke etc. verwenden.

Staubabsaugung

Abb. 17

Die Tisch-Fräsbank ist mit einer Vorrichtung ausgestattet, über die hinten am Tisch mit Hilfe des mitgelieferten Adapters ein Staubsauger an die Austrittsöffnung angeschlossen werden kann. Für den Anschluss an den Adapter sollte der Anschlussschlauch einen Innendurchmesser von 34 mm haben; der Schlauch sollte möglichst fest am Adapter sitzen, der dann nur in die Öffnung auf der Tischrückseite eingesteckt wird. Beim Arbeiten mit der Fräsbank muss aber dennoch ein Atemschutz getragen werden, der das Einatmen von Staubpartikeln verhindert.

5. WARTUNG



Bei der Durchführung von Wartungsarbeiten etc. ist stets sicherzustellen, dass die Fräsbank von der Stromversorgung getrennt ist, indem die Maschine ausgeschaltet und der Stecker aus der Steckdose gezogen wird.

Die Maschine ist für einen wartungsarmen Langzeitbetrieb ausgelegt. Eine ordnungsgemäße Pflege und Reinigung der Maschine sind aber die Voraussetzung für einen störungsfreien Betrieb.

Reinigung

Die Lüftungsschlitze der Maschine stets rein halten, um eine Überhitzung des Motors zu vermeiden. Das Maschinengehäuse regelmäßig, aber vorzugsweise nach jedem Einsatz, mit einem weichen Tuch reinigen. Die Lüftungsschlitze frei von Staub und Schmutz halten. Falls sich der Schmutz nicht entfernen lässt, ein mit Seifenwasser getränktes, weiches Tuch verwenden. Nie Lösungsmittel wie Benzin, Alkohol, Ammoniakwasser etc. verwenden, da diese die Kunststoffteile beschädigen könnten.

Schmierung

Dieses Gerät benötigt keine zusätzliche Schmierung.

Mängel

Falls Mängel wie z.B. ein frühzeitiger Teileverschleiß auftreten, die auf der Garantiekarte angegebene Serviceadresse kontaktieren. Auf der Rückseite dieses Handbuchs findet sich eine Explosionszeichnung, in der die Teile, die bestellt werden können, angegeben sind.

Umwelt

Um Transportschäden zu vermeiden, wird das Gerät in einer robusten Verpackung geliefert, die weitgehend aus wieder verwendbarem Material besteht. Deshalb sollte die Verpackung einer geeigneten Re-cyclingform zugeführt werden.

Garantie

Für die Garantiebedingungen siehe die separat gelieferte Garantiekarte.

BOVENFREESBANK

Hartelijk dank voor de aanschaf van dit Ferm product.

Hiermee heeft u een uitstekend product aangeschaft van één van de toonaangevende Europese distributeurs.

Alle Ferm producten worden gefabriceerd volgens de hoogste prestatie- en veiligheidsnormen. Deel van onze filosofie is de uitstekende klantenservice die wordt ondersteund door onze uitgebreide garantie.

Wij hopen dat u vele jaren naar tevredenheid gebruik zult maken van dit product.

De nummers in de nu volgende tekst verwijzen naar de afbeeldingen op pagina 2-6



Voor uw eigen veiligheid en die van anderen raden wij u aan deze gebruikershandleiding zorgvuldig door te lezen, voordat u deze machine in gebruik neemt. Bewaar deze gebruikershandleiding en de overige documentatie bij de machine.

Inhoudsopgave

1. Machine gegevens
2. Veiligheidsvoorschriften
3. Montage
4. Bediening
5. Onderhoud

1. MACHINEGEGEVENS

Technische specificaties

Voltage	230 V
Frequentie	50 Hz
Maximale stroomsterkte	10 A
IP klasse	IP 20
Afmeting tafel	455 x 330 mm
Max. doorsnee basis freesplaat	162 mm
Gewicht	6 kg

Productinformatie

Fig. 1

1. Tafelblad
2. Tafelpoot
3. Materiaalklem
4. Inlegstuk
5. Schakelkast

6. Geleider voor materiaalklem
7. Materiaalklem
8. Geleider voor materiaalklem
9. Stootrandprofiel
10. Plastic zak met schroeven en hulpstukken



De plastic zak is geen speelgoed! Voorkom dat iemand stikt. Houd de zak uit de buurt van baby's en kinderen. Leg hem niet in wiegen, bedden, kinderwagens of boxen. Knoop de zak dicht voor u hem weggooit.

Inhoud van het pakket

- 1 Tafelblad
- 4 Tafelpoten
- 1 Materiaalklem met hulpstukken (set)
- 1 Inlegstuk (set)
- 1 Schakelkast
- 1 Geleider voor materiaalklem (set)
- 1 Materiaalklem
- 1 Geleider voor materiaalklem (set)
- 1 Stootrandprofiel
- 4 Knoppen
- 1 Plastic zak met schroeven en hulpstukken, voor details zie hieronder:
 - 4 Kruiskopschroeven, M6X20
 - 4 Zeskantbouten, M6X16
 - 1 Zeskantbout, M6X25
 - 1 Zeskantbout, M6X40
 - 16 Inbusbouten, M6X12
 - 4 Slotbouten, M5X50
 - 6 Moeren, M6
 - 4 Moeren, M5
 - 18 Ringen, Ø 6
 - 2 Grote ringen, Ø 6
 - 16 Elastische ringen, Ø 6
 - 2 Afsluitknoppen
- 1 Gebruiksaanwijzing
- 1 Garantiebewijs

2. VEILIGHEIDSVOORSCHRIFTEN

Verklaring der symbolen



Wijst op het gevaar van persoonlijk letsel, de dood of beschadiging van het apparaat indien de instructies in deze handleiding niet worden opgevolgd.



Wijst op het risico van een elektrische schok.



Gevaarlijk! Houd uw handen niet in de buurt van bewegende delen.



Draag gehoorbescherming.



Draag een veiligheidsbril.



Draag een stofmasker.

Extra veiligheidsvoorschriften

Veiligheid is een combinatie van gezond verstand, alert blijven en weten hoe uw freesbank werkt. Lees deze handleiding voor een goed begrip van deze freesbank.

- Draag altijd oogbescherming.
- Er zijn grote verschillen in geluidsniveau per werkplek. Draag bij langdurig gebruik van uw freesbank oordopjes of oorkappen om mogelijke gehoorbeschadiging te voorkomen.
- Draag bij stoffig werk een stofmasker in combinatie met een werkbril.
- Volg de instructies van de handleiding bij uw freesbank.
- **Waarschuwing!** Trillingen veroorzaakt door het gebruik van de freesbank kunnen veroorzaken dat sluitingen losgaan. Controleer alle sluitingen voor gebruik en regelmatig tijdens gebruik om ervoor te zorgen dat ze alle stevig vast zitten.
- Gebruik dit product niet voordat alle fases van montage en installatie voltooid zijn. Zorg ervoor dat u alle veiligheids- en bedieningsvoorschriften in deze handleiding en de handleiding van de freesbank gelezen en begrepen hebt.
- Zorg ervoor dat de freesbit op de juiste plaats zit en in de frees geklemd is voordat u begint te frezen.
- Gebruik de freesbank niet als werkbank of werktafel. Dit zou deze kunnen beschadigen, waardoor het onveilig is hem te gebruiken. Voor dit doel moet een werkbank worden gebruikt.
- Dit product is ontworpen voor het frezen van vlakke oppervlaktes. Frees geen andere werkstukken, en probeer dit ook niet. Frees geen niet-vlakke werkstukken, en probeer dit ook niet.
- Dit product is uitsluitend ontworpen voor het frezen van hout. Gebruik het niet om metalen of andere niet-houten werkstukken te frezen.
- Het gebruik van extra aan- en afvoersteunen wordt zeer aanbevolen bij het frezen van lange werkstukken. Anders kunnen deze werkstukken de freesbank laten kantelen.
- Houd uw handen uit de buurt van de freesbits en het werkgebied.
- Maak gebruik van een duwstok om kleine werkstukken over het freesoppervlak te duwen.
- Maak de frees na gebruik schoon. Het gebruik van een nat/droog of gewone stofzuiger wordt aanbevolen.
- Zorg er altijd voor dat het werkoppervlak van de freesbank schoon en vrij van stof, spaanders en andere voorwerpen is, die de frees die u gaat maken nadelig kunnen beïnvloeden. Het gebruik van een nat/droog of gewone stofzuiger wordt aanbevolen.
- De bij de freesbank geleverde stootrand heeft een stofopvang waaraan een nat/droog stofzuiger kan worden bevestigd.
- Controleer voor gebruik de werking van de afdekplaat. Verwijder alle stof, spaanders en andere voorwerpen, die de werking ervan nadelig kunnen beïnvloeden.
- **Waarschuwing!** Steek uw vingers nooit onder de bovenste afdekplaat wanneer de frees op het net is aangesloten of wanneer de freesbit draait.
- Duw uw werkstuk altijd tegen de draaiing van de snijder of de freesbit in.
- Freesbits zijn zeer scherp; wees extra voorzichtig wanneer u ze vasthoudt of gebruikt.
- Zorg ervoor dat de gebruikte freesbits scherp of goed geslepen zijn. Dit zorgt voor snel, efficiënt en veilig frezen.
- Aangezien sommige frezen ondersteboven zijn gemonteerd (zoals bij een freesbank), kunnen deze uit de freesbasis vallen wanneer de basisklem voor het aanpassen van de hoogte of diepte van de frees wordt losgemaakt. Het is daarom zeer belangrijk de frees van onderaf te ondersteunen bij het uitvoeren van deze aanpassingen of wanneer de basisklem wordt losgemaakt.
- Kijk altijd onder de freesbank naar de schakelkast wanneer u de frees AAN of UIT zet. Raak alleen de schakelkast aan als u dit doet. Grijp nooit, voor wat dan ook, onder de

freesbank wanneer de freesbank loopt, behalve om hem UIT te schakelen.

- Waarschuwing! Zorg ervoor dat, voordat u gaat frezen, de frees UIT staat, de freesbit niet draait en het snoer niet in het stopcontact zit. Verzeker u er vervolgens absoluut van dat de bovenste afdekplaat de freesbit en het werkstuk vrij laat. Het wordt sterk aanbevolen dit te testen, terwijl de frees UIT staat en de freesbit niet draait.
- Waarschuwing! Laat de freesbank nooit onbeheerd achter terwijl de frees loopt. Zet de frees UIT voordat u van de freesbank wegloopt.

Elektrische beveiliging



Controleer altijd of de spanning overeenkomt met die op het kenplaatje.

Vervangen van snoeren of stekkers

Gooi oude snoeren of stekkers direct weg wanneer ze vervangen zijn door nieuwe. Het is gevaarlijk de stekker van een los snoer in het stopcontact te steken.

Gebruik van verlengsnoeren

Gebruik alleen een goedgekeurd snoer voor de stroomvoorziening van het apparaat. De minimale kabeldoorsnee is 1,5 mm². Als u aan kabelhaspel gebruikt, rol deze dan helemaal af.

3. MONTAGE

Montage van de bovenfreesbank

Fig. 1 - 13



Zorg ervoor dat voor het monteren van de bank alle onderdelen aanwezig zijn. Indien er iets ontbreekt, neem dan contact op met de klantenservice vermeld op het garantiebewijs.

Om uw freesbank te monteren dient u het volgende te doen:

- Leg het tafelblad (1, Fig.1) op zijn kop op een vlak oppervlak (Fig.2).
- Schroef een tafelpoot (2, Fig.1) met behulp van vier zeskantbouten (M6X12) en moeren (M6) handvast (Fig.3).
- Herhaal deze stap voor de overige drie poten,

controleer of de vier poten alle op hetzelfde vlakke oppervlak staan en draai dan alle bouten vast.

- Draai, wanneer alle vier poten stevig vastzitten, de tafel om en controleer of het geheel niet wiebelt. Als de tafel wiebelt, moet dit, voordat u doorgaat, hersteld worden door de bouten van de onjuist gemonteerde poot of poten los te draaien en ze goed te monteren.
- Steek twee slotbouten (M5X50) in gaten "B" vanaf de bovenkant van de tafel (Fig.4).
- Bevestig de stootrand (9, Fig.1) met de bijgeleverde zeskantbouten, ringen en knoppen. Steek de bouten vanaf de onderkant van de tafel door gaten "A" (Fig. 5). Plaats de stootrand op de bouten en zet ze vast met ringen en knoppen.

Opmerking: Gebruik de schaalverdeling om de stootrand nauwkeurig uit te lijnen.

- Monteer materiaalklem (7, Fig. 1) op de volgende manier:
 - *Maak alle hulpstukken op de materiaalklem (6, Fig. 1) los.*
 - *Steek twee sluitbouten (M6X25) in de gaten aan de bovenkant van de materiaalklem (Fig. 6).*
 - *Plaats de materiaalklem op de stootrand en lijn beide gaten uit met de twee gaten op de stootrand. Steek dan twee bouten (M6X25) in de gaten en zet ze vast met moeren (Fig. 7).*
 - *Verschuif de twee voorste stootranden om voldoende ruimte te hebben voor materiaalklem. Plaats vervolgens de materiaalklem op de twee bouten en zet ze vast met een ring en een knop (Fig. 8 en Fig. 9).*
- Bevestig het stoorkussen van de tafel (3, Fig. 1) op de volgende manier:
 - *Demonteer alle hulpstukken van de materiaalkle.*
 - *Draai twee schroeven op de materiaalklem los (8, Fig. 1), en lijn de beide gaten op de geleider van materiaalklem uit met de twee gaten aan de voorkant van de tafel. Steek dan twee schroeven in de gaten en zet ze vast met een moer (Fig. 10).*
 - *Steek twee sluitbouten (M6X25) in de gaten in de geleider van de materiaalklem*

en plaats de materiaalklem op de beide bouten met een ring en een afsluitknop (Fig. 11 en Fig. 12).

- Monteer de schakelkast (5, Fig. 1) op de volgende manier:
 - *Lijn de twee gaten van de schakelkast uit met de twee gaten aan de voorzijde van de tafel.*
 - *Bevestig de schakelkast met twee kruiskopschroeven vanaf de voorkant van de tafel, en zet deze met twee moeren vast (Fig. 13).*

Montage van de frees

Fig.14 - 16

Monteer de frees op de freesbank op de volgende manier:

- Draai de knoppen die de stootrand vastzetten los en verschuif de stootrand zo ver mogelijk. Dit voorkomt dat de sluitbouten van de frees (M5X50) door de tafel heen vallen wanneer de tafel wordt omgekeerd.
- Draai de tafel voorzichtig om en ondersteun hem door hem op houten blokken van de juiste maat of op vergelijkbare steunen te leggen (Fig. 14).
- Plaats de frees zo veel mogelijk in het midden van de onderkant van de tafel. Steek twee sluitbouten in gaten "C" (Fig. 4) vanaf de bovenkant van de tafel, die nu aan de onderkant zit (Fig. 15).
- Bevestig de frees losjes met 4 bouten (Fig. 16). Het kan nodig zijn de frees te draaien om alle 4 bouten goed uit te lijnen. Als de frees is voorzien van snelheidscontrole, probeer dan zo mogelijk deze snelheidscontrole zo te plaatsen dat hij gemakkelijk te bedienen is vanaf de voorkant van de tafel. Wanneer de frees op de gewenste plaats zit, draai dan de 4 bouten zo vast dat de frees niet kan verschuiven tijdens het gebruik.
- Steek de stekker van de frees in het contact van de schakelkast.



Deze freesbank is alleen geschikt voor frezen met een basisplaat van niet meer dan 162mm doorsnee.

- Uw freesbank is nu geheel gemonteerd en gereed voor gebruik.

4. BEDIENING



Wanneer U iets aanpast enz., zorg er dan altijd voor dat de frees niet aan het net is aangesloten door hem uit te zetten en de stekker uit het stopcontact te trekken.

Opmerking: Raadpleeg altijd de specifieke handleiding voor het bedienen van de frees wanneer u hoogte en snelheid, e.d. aanpast.

Monteren freesbits

Om bits in te zetten terwijl de frees op de tafel staat is het nodig de frees in zijn laagste stand te zetten. Kies de gewenste bit en zet deze er in. Pas het inzetstuk van de tafel zo dicht mogelijk aan bij de maat van de bit en zorg ervoor dat de bit het inzetstuk niet raakt.

Afstellen hoogte

Zet de frees omhoog totdat de bit voldoende door de tafel heen steekt. Doe een proef met stukken afvalhout om hem nauwkeurig af te stellen.

Afstellen stootrand

Draai de knoppen van de twee stootrandklemmen los en zet de stootrand op de gewenste plaats. Gebruik de schaalverdeling om de stootrand evenwijdig te zetten. Doe een proef met stukken afvalhout om hem nauwkeurig af te stellen.

Materiaalklem

Stel de materiaalklem zo in dat deze het stuk hout plat op de tafel, tegen de stootrand houdt, terwijl het apparaat loopt. Leg daartoe het stuk hout tegen de stootrand en blaas het kussentje op om afgesteld te worden; draai de twee sluitknoppen los en laat het kussentje zakken tot het op het hout rust; druk het kussentje nog iets verder naar beneden om voldoende druk te krijgen om het hout plat op de tafel te houden. Stel de messing plaat van de tafel op dezelfde manier af om het hout stevig tegen de stootrand te drukken.

Verbindingsstootrand

Stel de verbindingsstootrand zo af dat deze het hout ondersteunt als er door de volle dikte wordt gefreesd. Pas de freesdiepte enz. op de hierboven beschreven wijze aan. Begin dan met het bewerken van het stuk hout totdat de voorste rand ongeveer 25 mm buiten de

verbindingsstootrand steekt. Zet het apparaat uit en trek het snoer uit het stopcontact. Druk het hout stevig tegen de stootrand. Draai de knop van de klem van de verbindingsstootrand los, verschuif de verbindingsstootrand totdat deze tegen het hout zit en draai de knop van de klem weer vast. Trek het werkstuk weg van de frees voordat u deze weer aanzet en ga door met de bewerking.



Bij alle elektrische gereedschap, en vooral bij dat met snijdbladen, moet u uw handen en vingers op een veilige afstand van deze bladen houden door duwstokken o.i.d. te gebruiken wanneer u werkt met kleine werkstukken.

Afvoer van stof

Fig. 17

De freesbank is voorzien van de mogelijkheid voor afvoer van stof, waarbij een stofzuiger bevestigd kan worden aan de uitlaatopening aan de achterzijde van de tafel met gebruikmaking van het bijgeleverde koppelstuk. De verbindings slang moet een doorsnee hebben van 34 mm om te passen op het meegeleverde koppelstuk. Idealiter moet de slang redelijk strak op het koppelstuk passen, dat vervolgens in het gat aan de achterzijde van de tafel wordt gestoken. Let er echter op dat dit het dragen van een stofmasker door de gebruiker om het inademen van stofdeeltjes tegen te gaan niet overbodig maakt.

5. ONDERHOUD



Zorg er bij het uitvoeren van onderhoud e.d. altijd voor dat de frees niet verbonden is met het stroomnet door het apparaat uit te zetten en de stekker uit het stopcontact te trekken.

Het apparaat is ontworpen om met minimaal onderhoud lange tijd te worden gebruikt. De ononderbroken, bevredigende werking hangt af van de juiste zorg voor het apparaat en regelmatig schoonmaken.

Schoonmaken

Houd de ventilatieopeningen van het apparaat schoon om oververhitting van de motor te voorkomen. Maak de mantel van het apparaat regelmatig schoon met een zachte doek, bij

voorkeur iedere keer dat u het apparaat gebruikt hebt. Houd de ventilatieopeningen vrij van stof en vuil. Als het vuil er niet afgaat, gebruik dan een met zeepwater bevochtigde zachte doek. Gebruik nooit oplosmiddelen zoals benzine, alcohol, ammonia, enz. Deze oplosmiddelen kunnen de plastic delen beschadigen.

Smering

Dit apparaat heeft geen extra smering nodig.

Storingen

Indien er een storing optreedt, b.v. door slijtage van een onderdeel, neem dan contact op met de klantenservice vermeld op het garantiebewijs. Achterin deze handleiding treft u een opengewerkte afbeelding aan van de onderdelen die besteld kunnen worden.

Milieu

Om schade tijdens het vervoer te voorkomen, wordt het apparaat geleverd in een stevige verpakking die voornamelijk bestaat uit materiaal dat hergebruikt kan worden. Gebruik daarom de mogelijkheden voor hergebruik van de verpakking.

Garantie

Raadpleeg voor de garantievoorwaarden het losse garantiebewijs.

TABLE DE DÉFONCEUSE

Merci pour avoir acheté ce produit Ferm.

Vous disposez désormais d'un excellent produit, fourni par un des premiers distributeurs d'Europe. Tous les produits qui vous sont livrés par Ferm sont fabriqués selon les standards les plus élevés en ce qui concerne performances et sécurité et sont étayés par une garantie totale et un excellent service après vente.

Nous espérons que vous profiterez pendant de nombreuses années de ce produit.

Les numeros du texte ci-apres font reference aux schemas de la page 2-6.



Lisez attentivement ce mode d'emploi avant la mise en service de l'appareil. Familiarisez-vous avec le fonctionnement et la manipulation de l'appareil. Entretenez l'appareil conformément aux instructions, afin qu'il fonctionne parfaitement à chaque utilisation. Ce mode d'emploi et toute documentation relative à l'appareil doivent être conservés près de celui-ci.

Table des matières

1. Données sur l'appareil
2. Instructions de sécurité
3. Assemblage
4. Utilisation
5. Maintenance

1. DONNÉES SUR L'APPAREIL

Specifications techniques

Tension	230 V~
Fréquence	50 Hz
Courant nominal	10 A
Classe IP	IP 20
Taille de table	455 x 330 mm
Diamètre max. plaque de base de coupe	162 mm
Poids	6 kg

Informations produit

Fig. 1

1. Face supérieure de la table
2. Patte de la table
3. Plateau d'appui avec fixations

4. Insert de table
5. Boîtier de commutation
6. Guide pour plateau d'appui latéral
7. Plateau d'appui latéral
8. Guide pour plateau d'appui de la table
9. Profil latéral
10. Sachet plastique contenant les vis et fixations



Le sachet plastique n'est pas un jouet ! Pour éviter tout danger de suffocation, maintenez le présent sachet hors de la portée d'enfants et de bébés. Ne le posez pas dans leurs berceaux, lits, poussettes ou aires de jeux. Nouez le sachet avant de le jeter

Contenus de l'emballage

- 1 Face supérieure de la table
- 4 Pattes de la table
- 4 Plateau d'appui avec fixations (ensemble)
- 1 Insert de table (ensemble)
- 1 Boîtier de commutation
- 1 Guide pour plateau d'appui latéral (ensemble)
- 1 Plateau d'appui latéral
- 1 Guide pour plateau d'appui de table (ensemble)
 - 1 Profil latéral
- 4 Boutons
- 1 Sachet plastique contenant les vis et fixations ; détail du contenu :
 - 4 Vis Philips, M6x20
 - 4 Ecrous hexagonaux, M6x20
 - 1 Ecrous hexagonaux, M6x25
 - 1 Ecrous hexagonaux, M6x40
- 16 Ecrous Allen, M6x12
- 4 Ecrous guides, M5X50
- 6 Boulons, M6
- 4 Boulons, M5
- 18 Rondelles plates, Ø 6
- 2 Grandes rondelles plates, Ø 6
- 16 Rondelles élastiques, Ø 6
- 2 Boutons de verrouillage
- 1 Manuel de l'utilisateur
- 1 Certificat de garantie

2. INSTRUCTIONS DE SECURITE



Indique un risque de blessures, de danger de mort ou de dommages matériels si les instructions contenues dans le présent manuel ne seraient pas suivies.



Indique un danger de décharges électriques.



Danger ! Maintenez vos mains à l'écart des pièces en mouvement.



Portez une protection auditive.



Portez des lunettes de protection.



Portez une masque anti-poussière.

Instructions additionnelles de sécurité

La sécurité est une combinaison de bon sens, d'attention et de la connaissance du fonctionnement de votre table de coupe.

Lisez le présent manuel pour comprendre le fonctionnement de la table de coupe.

- Portez toujours une protection oculaire.
- Les niveaux sonores varient largement selon l'emplacement. Si vous allez utiliser la table pendant des périodes prolongées, utilisez toujours des protections auditives pour éviter des symptômes de surdité.
- Pour des opérations produisant beaucoup de poussière, utilisez un masque et des lunettes de sécurité.
- Suivez les instructions dans le manuel de l'utilisateur de votre table de coupe.
- Avertissement ! Les vibrations produites par l'utilisation du , peuvent desserrer les fixations. Avant toute utilisation et périodiquement lors de l'utilisation, vérifiez que toutes les fixations sont serrées et sécurisées.
- N'utilisez pas ce produit avant d'avoir complété toutes les étapes d'assemblage et d'installation. Assurez-vous d'avoir lu et compris toutes les instructions de sécurité et d'utilisation dans le présent manuel et dans le manuel de l'utilisateur de la table de coupe.
- Assurez-vous que l'insert de est correctement positionné et fixé dans le avant d'entamer une coupe.
- N'utilisez pas la table de en tant que banc ou surface de travail. Vous pourriez l'endommager et/ou la rendre dangereuse. Utilisez un vrai banc de travail à sa place.
- Ce produit a été conçu pour la coupe de pièces de travail plates. Ne coupez ni essayez de couper des pièces de travail. Ne coupez ni essayez de couper des pièces de travail qui ne sont pas plates.
- Ce produit a été conçu pour la coupe de pièces de travail en bois uniquement. Ne l'utilisez pas pour couper du métal ou d'autres matières.
- L'utilisation des supports d'entrée et de sortie est vivement recommandée si vous allez couper de longues pièces de travail. Si vous n'utilisez pas ces supports, les longues pièces de travail pourraient faire basculer la table de coupe.
- Maintenez à l'écart vos mains des inserts de coupe et de la surface de travail.
- Fabriquez et utilisez un poussoir pour déplacer les petites pièces dans la zone de coupe.
- Nettoyez la table de coupe après toute utilisation. L'utilisation d'une installation à vide ou d'un aspirateur (secs/humides) est recommandée.
- Assurez-vous toujours que la surface de travail de la table de coupe est propre et libre de poussières, de débris et de particules étrangères pouvant s'entroposer à la coupe que vous allez faire. L'utilisation d'une installation à vide ou d'un aspirateur (secs/humides) est recommandée.
- Le support latéral de la table de coupe est équipé d'un collecteur de poussières auquel un aspirateur secs/humides peut être connecté.
- Vérifiez le bon fonctionnement de l'écran avant toute utilisation. Retirez toutes les poussières, débris et autres particules étrangères pouvant affecter son bon fonctionnement.
- Avertissement ! N'introduisez jamais vos doigts sous l'écran supérieur lorsque le dispositif de coupe est branché à l'alimentation électrique ou lorsque l'insert de coupe tourne.
- Introduisez toujours la pièce de travail dans le sens opposé à la rotation de l'insert de coupe.
- Les inserts de coupe sont extrêmement aiguisés ; soyez particulièrement prudent lorsque vous les manipulez ou utilisez.
- Assurez-vous que les inserts de coupes que vous allez utiliser sont correctement aiguisés. Cela permettra des coupes rapides, efficaces et en toute sécurité.
- Certains dispositifs de coupe, lorsqu'ils sont positionnés à l'envers (comme lorsque placés sur une table de coupe), tomberont hors de la base lorsque l'étau de fixation est desserré pour le réglage de la hauteur ou de la

profondeur de la coupe. Pour cette raison, il est extrêmement important de placer un support sous le dispositif de coupe lorsque vous effectuez de tels réglages ou lorsque vous desserrez la base.

- Regardez toujours le boîtier de commutation du dispositif de coupe sous la table de coupe pour voir s'il est en position ON ou OFF. Ne touchez rien d'autre que le boîtier de commutation lorsque vous faites cela. Ne mettez jamais les mains sous la table de coupe lorsque la table de coupe est branchée, excepté pour placer le commutateur à la position OFF.
- Avertissement ! Avant de faire une coupe, assurez-vous que le commutateur du dispositif de coupe est à la position OFF, que l'insert de coupe ne tourne pas et que le cordon d'alimentation est débranché de la prise de courant. Ensuite, assurez-vous que l'écran supérieur ne touchera pas l'insert de coupe ni la pièce de travail. Un passage d'essais, avec le commutateur du dispositif de coupe toujours à la position OFF est vivement recommandé.
- Avertissement ! N'abandonnez jamais la table de coupe lorsque le dispositif de coupe tourne. Mettez le commutateur du dispositif de coupe à la position OFF avant de quitter la table pour une raison quelconque.

Sécurité électrique



Vérifiez toujours que la tension du secteur correspond à la tension indiquée sur la plaquette signalétique.

Remplacement de cordons ou de fiches

Mettez immédiatement au rebut les cordons et fiches électriques si vous les avez remplacés. Il est dangereux de brancher un cordon sans appareil connecté dans la prise de courant.

Utilisation de rallonges électriques

N'utilisez que des rallonges approuvées et appropriées pour la puissance de la machine. La section minimale des brins conducteurs est de 1,5 mm². Si vous utilisez un cordon enroulé sur une bobine, déroulez toujours complètement le cordon de la bobine.

3. ASSEMBLAGE

Assemblage de la table de coupe

Fig. 1 - 13



Avant d'assembler la table, assurez-vous que tous les composants sont présents. Dans le cas de pièces manquantes, veuillez contacter le service après vente dont l'adresse se trouve sur le certificat de garantie.

Pour assembler votre table de coupe, exécutez les étapes suivantes :

- Placez la surface de la table (1, Fig.1) à l'envers sur une surface plate (Fig.2).
- Fixez une patte (2, Fig.1) par le biais de quatre boulons hexagonaux (M6X12) et quatre boulons (M6), sans les serrer complètement (Fig.3).
- Répétez l'opération précédente pour les trois pattes restantes et assurez-vous que les pattes soient nivelées. Serrez ensuite tous les écrous.
- Une fois les quatre pattes fixées et serrées, retournez l'ensemble et vérifiez que la table ne se balance pas. Si la table se balance, vous devez corriger cette situation en desserrant les écrous des pattes concernées pour régler leur hauteur.
- Insérez deux écrous de guide (M5X50) dans les trous marqués « B » depuis la partie supérieure de la table (Fig.4).
- Attachez le guide latéral (9, Fig.1) par le biais des écrous hexagonaux, les rondelles et les boutons fournis. Insérez écrous dans les trous marqués « A » depuis la partie inférieure de la table (Fig.5). Placez le guide latéral sur les écrous et fixez-le en position avec les rondelles et les boutons.

Remarque: Utilisez les graduations pour aligner correctement le guide.

- Placez le plateau d'appui latéral (7, Fig.1) en exécutant les étapes suivantes :
 - *Desserrez toutes les fixations du guide du plateau d'appui latéral (6, Fig.1).*
 - *Insérez deux écrous de guide (M6X25) dans les trous du guide supérieur du plateau d'appui latéral (Fig.6).*
 - *Placez le guide du plateau d'appui latéral*

sur la partie supérieur du plateau et alignez les deux trous avec les trous du plateau ; puis insérez deux écrous (M6X25) dans les trous et fixez en position avec les boulons (Fig.7).

- Glissez les deux plateaux frontaux, de façon à avoir suffisamment d'espace pour le plateau d'appui latéral ; puis placez le plateau d'appui latéral sur les deux écrous et fixez-le en position avec les rondelles et les boutons de fixation (Fig.8 et Fig.9).
- Placez le plateau d'appui de la table (3, Fig.1) en exécutant les étapes suivantes :
 - Desserrez toutes les fixations du plateau d'appui de la table.
 - Desserrez le deux vis sur le guide du plateau d'appui de la table (8, Fig.1) et alignez les deux trous du guide avec les trous de la paroi latérale frontale de la table ; puis insérez deux vis dans les trous et fixez en position avec les boulons (Fig.10).
 - Insérez deux écrous de guide (M6X25) dans les trous du guide du plateau de la table ; puis placez le plateau d'appui de la table sur les deux écrous et fixez-le en position avec les rondelles et les boutons de fixation (Fig.11 et Fig.12).
- Placez le boîtier de commutation (5, Fig.1) en exécutant les étapes suivantes :
 - Alignez les trous du boîtier de commutation avec les trous dans la paroi latérale frontale de la table.
 - Fixez-le en position avec deux vis Philips insérées depuis l'avant de la table et serrez avec deux boulons –Fig.13).

Montage du dispositif de coupe

Fig.14 - 16

Attachez le dispositif de coupe à la table de coupe en exécutant les étapes suivantes :

- Desserrez les boutons de fixation du guide latéral et glissez-le totalement vers l'avant ; ceci évitera que les écrous de guide (M5X50) ne tombent de la table lorsque vous la retournez.
- Retournez prudemment la table et placez-la sur des supports de taille appropriée en bois ou autre matière similaire. (Fig. 14)
- Placez le dispositif de coupe en position sur la

face inférieure de la table, le plus centralement possible. Insérez deux écrous de guide dans les trous marqués « C » (Fig.4) depuis la partie supérieure de la table qui se trouve en bas pour l'instant (Fig.15).

- Fixez le dispositif de coupe en position, sans serrer, avec les 4 boulons (Fig.16). Il pourrait être nécessaire de tourner le dispositif de coupe afin de pouvoir placer correctement les 4 boulons. Si le dispositif de coupe est équipé d'un contrôle de vitesse, essayez de positionner le contrôle de vitesse à un endroit où vous pourrez facilement y accéder sur l'avant de la table. Une fois que le dispositif de coupe est à la position désirée, serrez les 4 boulons pour empêcher qu'il ne bouge lors de l'utilisation.
- Branchez la fiche du dispositif de coupe sur la prise de courant du boîtier de commutation.



Cette table de coupe ne peut abriter que des dispositifs de coupe avec des diamètres de plaque de base de jusqu'à 162 mm.

- Votre table de coupe est maintenant totalement assemblée et prête à l'emploi.

4. UTILISATION



Lorsque vous allez faire des réglages etc., assurez-vous toujours que le dispositif de coupe est débranché du secteur électrique en passant le commutateur à la position OFF et en débranchant la fiche de la prise de courant.

Remarque : Reportez-vous toujours aux instructions d'utilisation spécifiques du dispositif de coupe lorsque vous allez faire des réglages de hauteur, de vitesse etc.

Installation des inserts

Pour installer les inserts lorsque le dispositif de coupe est placé dans la table, le dispositif de coupe doit être descendu complètement. Sélectionnez l'insert approprié et installez-le. Choisissez l'insert de table de la taille la plus rapprochée de la taille de l'insert d'outil et assurez-vous que les deux ne se touchent pas.

Réglage de la hauteur

Remontez le dispositif de coupe jusqu'à ce que l'insert dépasse sur la distance nécessaire la surface de la table. Faites des coupes d'essais sur des déchets de bois pour arriver au réglage idéal.

Réglage du guide latéral

Desserrez les deux boutons de fixation du guide latéral et positionnez-le comme désiré ; servez-vous des graduations pour régler le parallélisme du guide. Faites des coupes d'essais sur des déchets de bois pour arriver au réglage idéal.

Plateau d'appui

Placez le plateau d'appui du guide latéral de façon à maintenir la pièce de travail à plat sur la table et contre le guide latéral pendant le travail. Pour ce faire, placez la pièce de travail contre le guide latéral et sous le plateau concerné ; desserrez les deux boutons de fixation et descendez le plateau jusqu'à ce qu'il repose sur la pièce de travail, appliquez une pression suffisante pour que la pièce de travail soit bien appuyée sur la surface de la table. Ajustez le plateau de la table de la même manière pour maintenir la pièce de travail fermement contre le guide latéral.

Guide d'unions

Placez le guide d'unions pour supporter le bois lorsque vous couperez l'épaisseur complète. Ajustez la profondeur de coupe etc., comme décrit plus haut et usinez la pièce de bois jusqu'à ce que le bord frontal dépasse le guide d'union sur environ 25mm. Arrêtez la machine et débranchez l'alimentation électrique. Maintenez fermement le bois contre le guide latéral, desserrez le bouton de fixation du guide d'union, glissez le guide d'union contre le bois, puis serrez le bouton de fixation. Reculez la pièce de travail pour qu'elle ne touche plus l'insert de coupe avant de rebrancher et allumer la machine, et continuez la coupe.



Comme avec tous les outils motorisés, et particulièrement les outils avec des lames ou dispositifs de coupe, vous devez tenir à l'écart les mains et les doigts des lames en utilisant des poussoirs ou autres dispositifs auxiliaires lorsque vous travaillez sur des pièces de travail de petites dimensions.

Extraction de poussières

Fig. 17

La table de coupe est équipée d'une sortie d'extraction de poussières située à l'arrière de la table, sur laquelle un aspirateur peut être connecté par le biais de l'adaptateur fourni. Le tuyau de connexion doit avoir un diamètre interne de 34mm pour le connecter sur l'adaptateur fourni et devrait être raisonnablement serré sur cet adaptateur. Il suffit ensuite d'insérer l'adaptateur dans le trou à l'arrière de la table. Remarquez toutefois que ce dispositif ne remplacera pas le port d'un masque de poussières pour éviter l'inhalation de particules de poussières.

5.MAINTENANCE



Lorsque vous allez exécuter des tâches de maintenance etc., assurez-vous toujours que le dispositif de coupe est débranché du secteur électrique en passant le commutateur à la position OFF et en débranchant la fiche de la prise de courant.

La machine a été conçue pour travailler pendant de longues périodes avec un minimum d'entretien. Des soins appropriés et le nettoyage régulier de la machine assureront un fonctionnement continuellement satisfaisant.

Nettoyage

Maintenez propres les rainures de ventilation de la machine pour empêcher une surchauffe du moteur. Nettoyez régulièrement le corps de la machine avec un tissu doux ; de préférence après chaque utilisation. Maintenez les rainures de ventilation libres de poussières et de débris. Si les poussières ne s'enlèvent pas, utiliser un tissu doux humidifié avec de l'eau savonneuse. N'utilisez jamais de dissolvants, comme le pétrole, l'alcool, de l'ammoniaque etc. De tels produits pourraient endommager les composants en plastique.

Lubrification

Cette machine n'exige pas de lubrification additionnelle.

Dysfonctionnements

Dans le cas de dysfonctionnements, par ex., à cause de l'usure d'un composant, veuillez

contacter le service après vente dont l'adresse se trouve sur le certificat de garantie. À la fin du présent manuel se trouve une vue exposée illustrant les composants disponibles.

Environnement

Afin d'éviter des dommages de transport, l'appareil est livré dans un solide emballage, composé en majorité de matériaux réutilisables. Veuillez donc utiliser les options de recyclage de l'emballage.

Garantie

Veillez vous reporter à la carte de garantie individuelle pour les conditions de garantie.

MESA DE CORTE Y FRESADO

Gracias por adquirir este producto Ferm.

Ahora dispone de un producto excelente, proporcionado por uno de los principales distribuidores de Europa.

Todos los productos Ferm ofrecen los niveles más altos de calidad en cuanto a funcionamiento y seguridad y, como parte de nuestra filosofía, prestamos un servicio superior de atención al cliente avalado por nuestro sello de garantía total. Esperamos que disfrute utilizando este producto durante muchos años.

Los números contenidos en el texto siguiente se refieren a las ilustraciones de la página 2-3.



Lea atentamente estas instrucciones de uso antes de poner el aparato en funcionamiento. Póngase al corriente con la forma de funcionamiento y el manejo. Cuide la máquina de acuerdo con las instrucciones para que funcione siempre de forma correcta. Las instrucciones de uso y la correspondiente documentación deben guardarse en la proximidad de la máquina.

Contenidos

1. Información del dispositivo
2. Instrucciones de seguridad
3. Ensamblaje
4. Funcionamiento
5. Mantenimiento

1. INFORMACIÓN DEL DISPOSITIVO

Datos técnicos

Voltaje	230 V~
Frecuencia	50 Hz
Corriente máxima	10 A
Clase IP	IP 20
Dimensión de la mesa	455 x 330 mm
Diámetro máximo plato base de la fresadora	162 mm.
Peso	6 kg.

Información del producto

Fig. 1

1. Tope

2. Pata de la mesa
3. Placa de presión del tope con accesorios
4. Mesa insertar
5. Interruptor
6. Guía de placa de presión del protector
7. Placa de presión del protector
8. Guía de placa de presión de la mesa
9. Perfil del protector
10. Bolsa plástica con tornillos y accesorios



¡La bolsa plástica no es un juguete!. Para evitar el riesgo de asfixia, mantenga esta bolsa fuera del alcance de bebés y niños. No utilice la bolsa en cunas, camas, coches y parques. Anude la bolsa antes de tirarla.

Contenido del embalaje

- 1 Tope
- 4 Patas de la mesa
- 1 Placa de presión del tope con accesorios (set)
- 1 Mesa insertar (set)
- 1 Interruptor
- 1 Guía de placa de presión del protector (set)
- 1 Placa de presión del protector
- 1 Guía de placa de presión del tope (set)
- 1 Perfil del protector
- 4 Pomos
- 1 Bolsa plástica con tornillos y accesorios.

Contenido:

- 4 Tornillos de ranuras ortogonales (Phillips) M6X20
- 4 Tornillos hexagonales, M6X16
- 1 Tornillos hexagonales, M6X25
- 1 Tornillos hexagonales, M6X40
- 16 Tornillos hexagonales Allen, M6X12
- 4 Pernos de carroceros, M5X50
- 6 Tuercas, M6
- 4 Tuercas, M5
- 18 Arandelas planas, Ø 6
- 2 Arandelas planas grandes, Ø 6
- 16 Arandelas elásticas, Ø 6
- 2 Pomos blocantes
- 1 Manual del usuario
- 1 Garantía

2. INSTRUCCIONES DE SEGURIDAD

Aclaración de los símbolos



Indica riesgo de lesión personal, peligro de muerte o daños a la herramienta en caso de no atender las instrucciones del manual.



Indica riesgo de descarga eléctrica.



¡Peligro! Mantenga las manos alejadas de las partes en movimiento.



Utilice protección auditiva.



Utilice protección ocular.



Utilice mascarilla antipolvo.

Instrucciones adicionales de seguridad

La seguridad es una combinación de sentido común, estado de alerta y conocimiento del funcionamiento de la mesa de corte y fresado. Lea este manual para comprender el funcionamiento de la mesa.

- Utilice siempre protección ocular.
- Los niveles de ruido pueden variar con las ubicaciones. Para evitar posibles daños auditivos, utilice tapones u orejeras cuando utilice la mesa de corte por largos periodos de tiempo.
- Para operaciones que generen polvo, utilice una mascarilla junto con las gafas de seguridad.
- Siga las instrucciones del manual del propietario de la mesa.
- ¡Precaución! La vibración generada por la mesa durante el uso, puede aflojar los cierres. Verifique periódicamente todos los cierres antes del uso para comprobar que están apretados y asegurados.
- No utilice este producto hasta que el ensamblaje y los pasos de instalación se hayan completado. Asegúrese de leer y comprender todas las instrucciones de

seguridad y funcionamiento de este manual y del manual del propietario de la mesa.

- Asegúrese de que la broca de la fresadora esta colocada correctamente y fijada antes de realizar cualquier corte.
- No utilice la mesa de la fresadora como banco o superficie de trabajo. Si lo hace, puede dañarla, y volverla insegura para su posterior utilización. Debe utilizar un banco de trabajo para este propósito.
- Este producto se ha diseñado para el corte de piezas planas. No corte o intente cortar piezas que no sean planas.
- Este producto se ha diseñado para el corte de piezas de madera solamente. No la utilice para cortar metal u otros materiales.
- Se recomienda el uso de soportes auxiliares de alimentación de entrada y salida cuando se trabajen piezas largas. De lo contrario, estas piezas pueden hacer que la mesa de corte se vuelque.
- Mantenga las manos alejadas de las brocas y del área de trabajo.
- Utilice una varilla para mover piezas pequeñas a través del área de corte.
- Limpie la fresadora después de cada uso. Se recomienda el uso de una aspiradora húmeda/seca o equipos de aspiración.
- Asegúrese de que la superficie de trabajo de la mesa de corte está limpia y libre de polvo, astillas y partículas que puedan interferir con el corte que se va a realizar. Se recomienda el uso de una aspiradora húmeda/seca o equipos de aspiración.
- El protector suministrado con la mesa de corte tiene un colector de polvo al que se le puede acoplar una aspiradora.
- Compruebe la operatividad de la cubierta antes de cada uso. Elimine todo el polvo, astillas o partículas que puedan afectar su funcionamiento.
- ¡Precaución! No coloque nunca los dedos debajo de la cubierta superior cuando la fresadora está enchufada o cuando la broca está girando.
- Alimente siempre la pieza en contra de la rotación del cortador o de la broca de la fresadora.
- Las brocas de la fresadora son extremadamente afiladas. Tenga cuidado al manipular y utilizar dichas brocas.
- Asegúrese de que las hojas están afiladas o que se hayan reafilado correctamente. Esto

permitirá un corte rápido, eficiente y seguro.

- Algunas fresadoras, cuando se colocan boca abajo, (como en una mesa de corte), se caen de la base cuando se afloja el soporte para ajustar la altura o la profundidad del corte. Por tanto, es sumamente importante aguantar la fresadora desde abajo cuando haga estos ajustes o cuando se afloje la abrazadera de la base.
- Verifique siempre debajo de la mesa en el cajetín del interruptor al ENCEDER o APAGAR la fresadora. No toque nada, sino el interruptor al realizar esta opción. No intente buscar nada debajo de la mesa bajo ningún concepto cuando la mesa de corte está funcionando, excepto para APAGARLA.
- ¡Precaución! Antes de realizar cualquier corte, asegúrese de que la fresadora está apagada, que la broca no está girando y que el cable de alimentación está desenchufado del tomacorriente. Posteriormente, asegúrese de que la cubierta superior tenga espacio sobre la broca y la pieza. Se recomienda encarecidamente realizar un pase de prueba, con la fresadora APAGADA y la broca detenida.
- ¡Precaución! No deje nunca la mesa desatendida mientras la fresadora está funcionando. APAGUE la fresadora antes de alejarse de la mesa por cualquier motivo.

Seguridad eléctrica



Verifique siempre que la alimentación eléctrica corresponda con el voltaje de la placa técnica.

Sustitución de cables o enchufes

Deseche inmediatamente los cables y enchufes viejos que hayan sido reemplazados. Es peligroso insertar el enchufe de un cable suelto en el tomacorriente.

Utilización de alargadores

Utilice solamente un alargador adecuado para la alimentación de la máquina. El tamaño mínimo del cable es de 1.5 mm². Cuando utilice un carrete, desenróllelo completamente.

3. ENSAMBLAJE

Ensamblaje de la mesa de fresado.

Fig. 1 - 13



Antes de armar la mesa, asegúrese de que todos los componentes están completos. En caso de que falten algunos, contacte con el centro de servicios indicado en la garantía.

Para armar la mesa de fresado realice los siguientes pasos:

- Coloque el tope de la mesa boca abajo (1, Fig. 1) sobre una superficie plana (Fig. 2).
- Coloque una pata de la mesa (2, Fig. 1) utilizando 4 tornillos hexagonales (M6X12) y las tuercas correspondientes (M6), no las apriete completamente todavía (Fig. 3).
- Repita el paso anterior para las patas restantes y asegúrese de que las 4 patas están sobre la misma superficie plana y apriete entonces todos los tornillos.
- Una vez apretadas las 4 patas, volte el ensamble y compruebe que no se balancea. Si detecta algún balanceo, debe rectificarlo antes de continuar, aflojando los tornillos de las patas flojas y ajustarlas como corresponda.
- Inserte dos pernos de carroceros (M5X50) en los orificios marcados con "B" desde la parte superior del tope (Fig. 4).
- Acople el protector (9, Fig. 1), utilizando los tornillos hexagonales, las arandelas y los pomos suministrados. Inserte los tornillos desde la parte inferior del tope a través de los orificios marcados con "A" (Fig. 5). Coloque el protector en los tornillos y asegúrelo en posición con las arandelas y los pomos.

Nota: utilice las escalas graduadas para alinear el protector con precisión.

- Ajuste la placa de presión del protector (7, Fig. 1) de la siguiente manera:
 - Afloje todos los tornillos de la guía de la placa de presión del protector (6, Fig. 1).
 - Inserte dos pernos de carroceros (M6X25) en los orificios de la parte superior de la guía de la placa de presión del protector (Fig. 6).
 - Ponga la guía encima del protector, alinee

los dos orificios con los dos del protector e inserte los dos pernos (M6X25) y asegúrelos en posición con las tuercas correspondientes (Fig. 7).

- Deslice el protector de dos caras para tener suficiente espacio para la placa de presión que insertará en los dos tornillos y apriételes con las arandelas y los pomos (Fig. 8 y Fig. 9).
- Ajuste la placa de presión del tope (3, Fig. 1) de la siguiente manera:
 - Afloje todos los tornillos de la placa de presión de la mesa.
 - Afloje dos tornillos de la guía de la placa de presión del tope (8, Fig. 1) y alinee los dos orificios en la guía con los dos orificios de la pared frontal de la mesa, inserte dos tornillos y asegúrelos en posición con tuercas (Fig. 10).
 - Inserte dos pernos de carroceros (M6X25) en el orificio de la guía de la placa de presión del tope, póngalos en la placa y asegúrelos en posición con arandelas y el pomo de bloqueo (Fig. 11 y Fig. 12)
- Ajuste el cajetín de interruptores (5, Fig. 1) de la siguiente manera:
 - Alinee los dos orificios del cajetín de interruptores con los dos orificios en la pared frontal de la mesa.
 - Colóquelo en posición con los dos tornillos Phillips insertados desde el frente de la mesa con dos tuercas. (Fig. 13).

Montaje de la fresadora

Fig. 14 - 16

Sujete la fresadora a la mesa de la siguiente manera:

- Afloje los pomos que sujetan el protector y deslícelo hacia delante lo más posible para prevenir que los pernos de la fresadora (M5X50) caigan a través de la mesa cuando está al revés.
- Voltee cuidadosamente la mesa y apóyela sobre bloques de madera o similar (Fig. 14)
- Coloque la fresadora en posición en la parte inferior de la mesa tan al centro como sea posible. Inserte dos pernos en los orificios marcados con "C" (Fig. 4) de la mesa, ahora al revés (Fig. 15).
- Asegure la fresadora en posición con los

cuatro tornillos, sin apretar mucho (Fig. 16). Puede que sea necesario girar la fresadora para poder colocar los cuatro tornillos de forma correcta. Si la fresadora tiene un control de velocidad, intente en la medida de lo posible colocar el control de donde sea fácilmente accesible desde la parte frontal de la mesa. Una vez colocada la fresadora en la posición deseada, apriete bien los cuatro tornillos para evitar que la fresadora se mueva mientras está en funcionamiento.

- Conecte el enchufe de la fresadora en el receptáculo del cajetín de interruptores.



Esta mesa solo admite fresadoras de platos base de hasta 162mm de diámetro.

- Ahora su mesa está totalmente ensamblada y lista para su utilización.

4. FUNCIONAMIENTO



Cuando realice ajustes etc., asegúrese siempre de que la fresadora no está conectada a la red apagándola y retirando el enchufe del tomacorriente.

Nota: consulte siempre el manual específico de la fresadora cuando realice ajustes de altura y velocidad, etc.

Instalación de brocas

Para instalar las brocas mientras la fresadora está situada en la mesa, se requerirá que ésta se baje completamente. Seleccione la broca e instálela. Ajuste el suplemento de mesa más cercano al tamaño de la broca y asegúrese de que ésta no toca el suplemento.

Ajuste de altura

Eleve la fresadora hasta que la broca sobresalga a través del tope a la altura requerida. Haga cortes de prueba en trozos de madera para un ajuste más preciso.

Ajuste del protector

Afloje los dos pomos blocantes del protector y ajústelos según proceda, utilizando las marcas graduadas para que el protector quede paralelo. Haga cortes de prueba en trozos de madera para un ajuste más preciso.

Placa de presión

Fije la placa de presión del protector para mantener el trozo de madera plano sobre la mesa y contra el protector mientras se realiza el fresado. Para hacerlo, coloque la pieza de madera contra el protector y por debajo de la placa que se va a ajustar, afloje los dos pomos de bloqueo y baje la placa hasta que descansa sobre la madera, empuje la placa un poco más abajo para aplicar suficiente presión y sujetar la madera plana sobre la mesa. Ajuste la pluma de la mesa de la misma forma para sujetar la madera firmemente contra el protector.

Protector ajustable

Coloque el protector ajustable para soportar la madera cuando se corta el grosor completo. Ajuste la profundidad de corte, etc. como se ha descrito previamente, proceda a fresar la pieza de madera hasta que el borde inicial supere el protector ajustable, aproximadamente 25 mm. Apague y aisle la fresadora de la red. Mantenga la madera sujeta firmemente contra el protector. Suelte el pomo de sujeción del protector ajustable, deslícelo hacia la madera hasta que la toque y apriete el pomo de sujeción. Retire la pieza de la fresadora antes de encender y continuar con el trabajo.



Como con todas las herramientas eléctricas, especialmente aquellas con cortadores y hojas de sierra, mantenga las manos y los dedos alejados de la misma utilizando varillas o similares para empujar las piezas pequeñas.

Extracción de polvo

Fig. 17

La mesa de fresado está provista de una conexión de extracción de polvo, donde puede conectar un aspirador en la parte posterior de la mesa, utilizando el adaptador suministrado. El tubo de conexión requiere un diámetro interno de 34mm para ajustarse al adaptador suministrado, la manguera preferiblemente debe ajustarse perfectamente al adaptador, que después se enchufará en el agujero de la parte superior de la mesa. Sin embargo, tenga en cuenta, que esto no exime al usuario de utilizar una mascarilla para evitar la inhalación de partículas de polvo y aserrín.

5. MANTENIMIENTO



Cuando lleve a cabo el mantenimiento, asegúrese de que la fresadora no está conectada a la red eléctrica, apagándola y extrayendo el enchufe del tomacorriente.

Esta máquina ha sido diseñada para operar durante largo tiempo con un mínimo mantenimiento. El funcionamiento continuo y satisfactorio depende del cuidado adecuado y la limpieza habitual de la misma.

Limpieza

Mantenga limpias las ranuras de ventilación de la máquina para evitar el recalentamiento del motor. Limpie regularmente la carcasa de la máquina con un paño suave, preferiblemente después de cada uso. Mantenga las ranuras de ventilación libres de polvo y suciedad. Si el sucio persiste, utilice un paño húmedo con agua jabonosa. Nunca utilice solventes como gasolina, alcohol, agua con amoníaco, etc. Estos disolventes pueden dañar las partes plásticas.

Lubricación

Este dispositivo no requiere lubricación adicional.

Fallos

Si ocurre una avería, tal como el desgaste de una pieza, póngase en contacto con la dirección del centro de servicio que aparece en la garantía. En el reverso de este manual encontrará un diagrama desglosado de las piezas que puede pedir.

Medio ambiente

Para evitar daños durante el transporte, el dispositivo se entrega en un embalaje sólido, de material reciclable; por lo tanto disponga del embalaje de forma adecuada.

Garantía

Consulte la tarjeta adjunta para ver las condiciones de la garantía.

MESA FRESADORA

Obrigado por ter adquirido este produto Ferm.

Agora possui um produto excelente, fornecido por um dos principais distribuidores Europeus. Todos os produtos que lhe são entregues pela Ferm são fabricados segundo as mais rigorosas normas de desempenho e segurança, e como parte da nossa filosofia, disponibilizamos um excelente serviço ao cliente acompanhado da nossa garantia total. Esperamos que goze a utilização deste produto durante muitos anos.

Os números no texto seguinte correspondem às figuras da página 2-6.



Leia este manual de instruções com atenção antes de colocar o aparelho em funcionamento. Familiarize-se com o modo de funcionamento e de operação. Efetue a manutenção ao aparelho de acordo com as indicações, de forma a garantir um bom funcionamento. O manual de instruções e a documentação correspondente devem ser guardadas perto do aparelho.

Índice

1. Informação do aparelho
2. Instruções de segurança
3. Montagem
4. Funcionamento
5. Manutenção

1. INFORMAÇÃO SOBRE O APARELHO

Especificações técnicas

Tensão	230 V
Frequência	50 Hz
Corrente Máxima	10 A
Classe IP	IP 20
Tamanho da mesa	455 x 330 mm
Diâmetro máximo da placa base da fresadora	162 mm
Peso	6 kg

Informação do produto

Fig. 1

1. Superfície da mesa
2. Pernas da mesa
3. Zona de pressão da mesa incluindo acessórios
4. Elemento centrador da mesa
5. Caixa do interruptor
6. Guia para a zona de pressão da tabela de apoio guia
7. Tabela de apoio guia da zona de pressão
8. Guia para a zona de pressão da mesa
9. Perfil da tabela de apoio guia
10. Saco de plástico com parafusos e acessórios



O saco de plástico não é um brinquedo! Evite o perigo de asfixia, mantenha este saco afastado de bebés e crianças. Não utilize em berços, camas, carrinhos de passeio ou parques de bebés. Até o saco antes de o deitar fora

Conteúdo da embalagem

- 1 Superfície da mesa
- 4 Pernas da mesa
- 1 Zona de pressão da mesa incluindo acessórios (conjunto)
- 1 Elemento da mesa (conjunto)
- 1 Caixa do interruptor
- 1 Guia para a zona de pressão da tabela de apoio guia (conjunto)
- 1 Tabela de apoio guia da zona de pressão
- 1 Guia para a zona de pressão da mesa (conjunto)
- 1 Perfil da tabela de apoio guia
- 4 Botões
- 1 Saco de plástico com parafusos e acessórios, para pormenores é favor referir-se ao seguinte:
 - 4 Parafusos de cabeça Philips, M6X20
 - 4 Parafusos de cabeça hexagonal, M6X16
 - 1 Parafusos de cabeça hexagonal, M6X25
 - 1 Parafusos de cabeça hexagonal, M6X40
 - 16 Parafusos de cabeça para chave Allen, M6X12
 - 4 Parafusos de cabeça quadrada, M5X50
 - 6 Porcas, M6
 - 4 Porcas, M5
 - 18 Anilhas planas, Ø 6
 - 2 Anilhas planas grandes, Ø 6
 - 16 Anilhas elásticas, Ø 6
 - 2 Porcas de bloqueio
- 1 Manual do utilizador

1 Cartão de garantia

2. INSTRUÇÕES DE SEGURANÇA

Explicação dos símbolos



Apresenta risco de ferimentos pessoais, perda de vida ou danos na ferramenta no caso de não cumprimento das instruções contidas neste manual.



Indica perigo de choque eléctrico.



Perigo! Mantenha as mãos afastadas das peças móveis.



Utilize protecções para os ouvidos.



Utilize óculos de protecção.



Utilize máscara anti-poeiras.

Instruções de segurança adicionais

Segurança é uma combinação de bom senso, manter-se alerta e saber como funciona a mesa fresadora. Leia este manual para compreender esta mesa fresadora.

- Utilize sempre protecção para os olhos.
- Os níveis de ruído variam muito conforme o local. A fim de evitar possíveis danos na audição, utilize tampões de audição ou auriculares de protecção quando utilizar a mesa fresadora durante períodos longos.
- Em operações que produzam poeiras, utilize uma máscara anti-poeiras assim como óculos de protecção.
- Cumpra as instruções contidas no manual do utilizador da fresadora.
- Aviso! As vibrações provocadas durante a utilização da fresadora, podem fazer com que os fixadores se soltem. Antes de utilizar e com regularidade, verifique os fixadores para ter a certeza que estão firmes.
- Não utilize este produto até que todas as etapas de montagem e instalação tenham sido completados. Certifique-se que leu e

compreendeu todas as instruções de segurança e operacionais contidas neste manual e no manual do proprietário.

- Antes de fazer qualquer corte, certifique-se que a ponteira da fresadora está correctamente colocada e fixa à fresadora.
- Não utilize a mesa fresadora como bancada de trabalho ou superfície de trabalho. Se o fizer, pode danificá-la fazendo com que a sua utilização não seja segura. Uma bancada de trabalho deve ser utilizada para isso.
- Este produto está concebido para o corte de peças planas. Não corte ou tente cortar peças de trabalho. Não corte ou tente cortar peças de trabalho que não sejam planas.
- Este produto está concebido apenas para o corte de peças planas. Não utilize para cortar metal ou outros materiais que não sejam de madeira.
- Recomenda-se a utilização de suportes auxiliares de alimentação e extracção, quando cortar peças compridas. Caso contrário, essas peças podem fazer com que a fresadora se vire.
- Mantenha as mãos afastadas das ponteiras da fresadora e da área de trabalho.
- Faça e utilize um pau para empurrar as peças pequenas na área de corte.
- Após utilização, limpe a fresadora. Recomenda-se a utilização de um aspirador ou equipamento de aspiração a seco ou molhado.
- Certifique-se sempre que a superfície de trabalho da mesa fresadora está limpa e livre de poeira, aparas e partículas estranhas que possam interferir no corte que pretende fazer. Recomenda-se a utilização de um aspirador ou equipamento de aspiração a seco ou molhado.
- O Tabela de apoio guia que é fornecido com a mesa fresadora está equipado com um coletor de poeiras onde pode acoplar um aspirador a seco ou molhado.
- Verifique o funcionamento da protecção antes de cada utilização. Retire todas as poeiras, aparas e quaisquer outras partículas estranhas que possam afectar o seu funcionamento.
- Aviso! Nunca ponha os dedos por baixo da protecção superior quando a fresadora está ligada à electricidade ou quando a ponteira da fresadora está a rodar.
- Introduza sempre a peça a trabalhar no sentido contrário da rotação do cortador ou ponteira da fresadora.

- As ponteiras da fresadora são extremamente afiadas, seja especialmente cuidadoso/a ao manuseá-las e na sua utilização.
- Certifique-se que as ponteiras da fresadora que estão a ser utilizadas estão afiadas ou que foram correctamente reafiadas. Assim, obterá uma fresagem segura, rápida e eficiente.
- Algumas fresadoras, quando colocadas em posição invertida (como numa mesa de fresagem), descaiem ou caem da base da fresadora quando o grampo da base é solto para ajustar a altura ou profundidade do corte. Por isso, é muitíssimo importante apoiar a fresadora por baixo quando fizer este tipo de ajuste ou sempre que o grampo da base é solto.
- Olhe sempre para debaixo da mesa de fresagem para a caixa do interruptor da fresadora quando Ligar ou Desligar a fresadora. Ao fazê-lo não toque em nada a não ser na caixa do interruptor. Nunca toque em nada sob a mesa fresadora, por qualquer razão que seja quando a mesa fresadora está a funcionar, excepto para a Desligar.
- Aviso! Antes de fazer qualquer corte, certifique-se que a fresadora está Desligada, que a ponteira da fresadora não está a rodar e que o cabo eléctrico está retirado da tomada de corrente. Depois, certifique-se totalmente que a protecção superior tem a ponteira de fresagem desimpedida assim como a peça de trabalho. Recomenda-se que faça uma passagem de experiência com a fresadora desligada e sem que a ponteira esteja a rodar.
- Aviso! Nunca deixe a mesa fresadora sem ser vigiada enquanto a ponteira estiver a rodar. Desligue a fresadora antes de sair de ao pé da mesa fresadora, seja por que razão for.

Segurança eléctrica



Verifique sempre que a tensão eléctrica corresponde à tensão do aparelho.

Substituição de cabos eléctricos ou fichas

Deite for a imediatamente os cabos ou fichas assim que sejam substituídas por novos. É perigoso inserir a ficha de um cabo solto na tomada eléctrica.

Utilizar extensões eléctricas

Utilize apenas uma extensão eléctrica adequada à potência da máquina. A espessura mínima é de 1.5 mm². Quando utilizar um cabo em bobina, desenrole sempre totalmente a bobina.

3. MONTAGEM

Montar a mesa fresadora

Fig. 1 - 13



Antes de montar a mesa, certifique-se que estão todos os componentes. No caso de faltar algum, é favor contactar a assistência no endereço no cartão de garantia.

Para montar a mesa fresadora, proceda do seguinte modo:

- Coloque a superfície da mesa (1, Fig. 1) na posição invertida sobre uma superfície plana (Fig. 2).
- Coloque uma perna da mesa (2, Fig. 1) utilizando quarto parafusos com cabeça hexagonal (M6X12) e porcas (M6), não aperte ainda totalmente (Fig. 3).
- Repita o anterior para as outras três pernas, e certifique-se que as quatro pernas estão na mesma superfície plana, agora aperte todos os parafusos.
- Assim que as quatro pernas estejam bem firmes, vire o conjunto, verifique que a mesa não abana. Se verificar que abana, deverá corrigir isso antes de continuar na montagem, desapertando os parafusos na perna mal fixa e ajustar como deve ser.
- Insira dois parafusos de cabeça quadrada (M5X50) nos orifícios marcados "B" a partir da parte superior da mesa (Fig. 4).
- Fixe o Tabela de apoio guia (9, Fig. 1), utilizando os parafusos de cabeça hexagonal, anilhas e porcas fornecidas. Insira os parafusos por baixo da mesa pelos orifícios marcados "A" (Fig. 5). Coloque o Tabela de apoio guia sobre os parafusos e fixe-o na devida posição com as anilhas e porcas de fixação.

Observação: Utilize as escalas graduadas para alinhar correctamente o Tabela de apoio guia.

- Encaixe a zona de pressão da tabela de apoio guia (7, Fig. 1) da seguinte maneira:

- Solte todos os acessórios no guia da zona de pressão da tabela de apoio guia (6, Fig. 1).
- Insira dois parafusos de cabeça quadrada (M6X25) nos orifícios na parte superior da guia da zona de pressão da tabela de apoio guia (Fig. 6).
- Coloque o guia da zona de pressão da tabela de apoio guia na parte superior da tabela de apoio guia e alinhe dois orifícios com os dois orifícios no Tabela de apoio guia, depois insira dois parafusos (M6X25) nos orifícios, e fixe-os na posição com as porcas (Fig. 7).
- Deslize os dois rebordos da frente, para ter espaço suficiente para a zona de pressão da tabela de apoio guia, depois coloque a zona de pressão da tabela de apoio guia nos dois parafusos, e fixe-a em posição com a anilha e e porca de bloqueio (Fig. 8 e Fig. 9).

- Encaixe a zona de pressão da mesa (3, Fig. 1) da seguinte maneira:
 - Solte todos os encaixes na zona de pressão da mesa.
 - Solte dois parafusos na guia da zona de pressão da mesa (8, Fig. 1), e alinhe dois orifícios na guia da pressão da mesa com os dois orifícios no lado da frente da mesa, depois insira dois parafusos nos orifícios, fixe-os em posição com a porca (Fig. 10).
 - Insira dois parafusos de cabeça quadrada (M6X25) no orifício na guia para a zona de pressão da mesa, e coloque a zona de pressão da mesa nos dois parafusos, e fixe-a em posição com uma anilha e porca de bloqueio (Fig. 11 e Fig. 12)
- Encaixe a caixa do interruptor (5, Fig. 1) da seguinte maneira:
 - Alinhe dois orifícios da caixa do interruptor com os dois orifícios na face da frente da mesa.
 - Encaixe na posição com dois parafusos de cabeça Phillips inseridos pela frente da mesa e fixos com duas porcas (Fig. 13).

Montar a fresadora

Fig. 14 - 16

Fixe a fresadora à mesa fresadora da seguinte maneira:

- Desaperte os parafusos que fixam o Tabela de apoio guia e deslize o Tabela de apoio guia o mais possível para a frente, evitando assim que os parafusos de cabeça quadrada da fresadora (M5X50) caiam pela mesa quando esta é virada.
- Cuidadosamente vire a mesa e apoie-a em blocos de madeira de tamanho apropriado ou outro tipo de apoio semelhante. Fig. 14
- Coloque a fresadora em posição sob a mesa o mais central possível. Insira os parafusos de cabeça quadrada marcados com "C" (Fig. 4) a partir da parte de cima da mesa, que agora está por baixo (Fig. 15).
- Sem apertar, fixe a fresadora em posição com os 4 parafusos (Fig. 16). Poderá ser necessário rodar a fresadora para instalar os 4 parafusos correctamente. Se a fresadora estiver equipada com um controlo de velocidade, se possível tente colocar o controlo de velocidade em local facilmente acessível a partir da frente da mesa. Assim que a fresadora esteja na posição pretendida, aperte suficientemente os 4 parafusos para evitar que se desloque quando estiver em funcionamento.
- Ligue a ficha da fresadora no receptáculo da caixa do interruptor.



Esta mesa fresadora só pode ser equipada com fresadoras com placa base até 162mm de diâmetro.

- Agora, a mesa fresadora está totalmente montada e pronta a utilizar.

4. FUNCIONAMENTO



Quando fizer ajustes etc, certifique-se sempre que a fresadora está desligada da corrente eléctrica desligando e retirando a ficha da tomada eléctrica.

Observação: Consulte sempre o manual de instruções de funcionamento da fresadora quando fizer regulações de altura ou velocidade, etc.

Instalação das ponteiras

Para instalar as ponteiras com a fresadora sobre a mesa, é necessário que a fresadora seja totalmente rebaixada. Selecione a ponteira

pretendida e instale-a. Encaixe o elemento da mesa para o tamanho mais próximo da ponteira, e certifique-se que a ponteira não toca no elemento.

Ajuste de altura

Levante a fresadora até que a ponteira fique saliente da mesa a quantidade pretendida. Faça testes de corte em bocados de Madeira para regular com exactidão.

Ajuste da tabela de apoio guia

Desaparafuse as duas porcas de fixação da tabela de apoio guia e coloque o Tabela de apoio guia conforme pretendido, utilizando as marcas de graduação para instalar o Tabela de apoio guia em paralelo. Faça testes de corte em bocados de Madeira para regular com exactidão.

Zona de pressão

Instale a zona de pressão da tabela de apoio guia de modo a manter o pedaço de Madeira plano sobre a mesa e contra o Tabela de apoio guia durante a maquinagem. Para isso, coloque o pedaço de madeira contra o Tabela de apoio guia e abaixo da zona a ser ajustada, desaparafuse as duas porcas de bloqueio e baixe a zona de pressão até se apoiar na madeira, empurre um pouco para baixo a zona de pressão de modo a aplicar pressão suficiente para manter a madeira plana sobre a mesa. Ajuste a placa deslizante do mesmo modo para segurar a madeira firmemente contra o Tabela de apoio guia.

Alinhamento da tabela de apoio guia

Defina o alinhamento da tabela de apoio guia para apoiar a madeira quando cortar em toda a espessura. Ajuste a profundidade de corte etc. conforme anteriormente explicado, continue a maquinar a peça de madeira até a aresta principal que foi passada sobre o alinhamento tenha aprox. 25mm. Desligue e retire a ficha da tomada. Segure a madeira firmemente contra a Tabela, desaperte a porca de fixação da tabela de alinhamento, deslize a tabela de alinhamento para fora na direcção da madeira até lhe tocar, aperte a porca de fixação. Retire a peça trabalhada do cortador antes de ligar novamente e continuar a maquinar.



Conforme acontece com todas as ferramentas eléctricas, especialmente as que têm lâminas, mantenha as mãos e dedos com uma distância de segurança das lâminas, utilizando paus para empurrar etc quando trabalhar com peças de tamanho reduzido.

Extracção de poeiras

Fig. 17

A mesa fresadora está equipada com uma instalação de extracção de poeiras, onde pode ligar um aspirador à saída na parte traseira da máquina, utilizando o adaptador fornecido. A mangueira de ligação deve ter um diâmetro interno de 34mm para encaixar no adaptador fornecido. Idealmente, a mangueira, deverá ficar bastante apertada ao adaptador, que é então empurrado no orifício na parte traseira da mesa. No entanto, deverá ter em conta que isto não evita que o utilizador use uma máscara facial para evitar a inalação de partículas de poeira.

5.MANUTENÇÃO



Quando fizer manutenção etc, certifique-se sempre que a fresadora está desligada da corrente eléctrica desligando e retirando a ficha da tomada eléctrica.

A máquina foi concebida para funcionar durante muito tempo com uma manutenção mínima. O funcionamento satisfatório continuado depende do cuidado que tiver com o aparelho e a limpeza regular.

Limpeza

Mantenha as ranhuras de ventilação da máquina limpas para evitar o sobreaquecimento da mesma. Regularmente limpar a cobertura da máquina com um pano macio, de preferência depois de cada utilização. Manter as ranhuras de ventilação desimpedidas de poeiras e sujidade. Se a sujidade não sair, utilizar um pano macio humedecido em água com sabão. Nunca utilizar diluentes tais como gasolina, álcool, água de amoníaco, etc. Estes diluentes podem danificar as pelas plásticas.

Lubrificação

Esta máquina não necessita de lubrificação adicional.

Avarias

No caso de uma avaria, i.e. desgaste de uma peça, é favor contactar a assistência no endereço no cartão de garantia. No verso deste manual, poderá ver um esquema das peças do aparelho que podem ser encomendadas.

Ambiente

A fim de evitar danos durante o transporte, o aparelho é entregue numa embalagem firme que é feita essencialmente de materiais reutilizáveis. Assim, não deixe de optar por reciclar o material de embalagem.

Garantia

Para conhecer as condições de garantia, é favor consultar o cartão de garantia fornecido separadamente.

TAVOLO PER FRESATRICE

Grazie per aver acquistato questo prodotto Ferm.

Con il suo acquisto è entrato in possesso di un prodotto eccellente, offerto da uno dei distributori leader in Europa.

Tutti i prodotti di Ferm sono fabbricati seguendo i più elevati standard di prestazioni e sicurezza e, nell'ambito della nostra filosofia, forniamo un eccellente servizio di assistenza alla clientela accompagnato da una Garanzia completa.

Ci auguriamo che troverà di suo gradimento l'utilizzo di questo prodotto per molti anni a venire.

La numerazione indicata nel seguente testo rimanda alle immagini della pagina 2 - 3.



Leggere attentamente le presenti istruzioni per l'uso prima di mettere in funzione l'apparecchio. Provare personalmente il funzionamento e l'impiego del trapano avvitatore. Per un funzionamento sempre perfetto, manutenzione l'apparecchio come indicato nelle istruzioni. Conservare le istruzioni per l'uso e la relativa documentazione vicino all'apparecchio.

Indice

1. Informazioni sulla macchina
2. Istruzioni di sicurezza
3. Assemblaggio
4. Messa in funzione
5. Manutenzione

1. INFORMAZIONI SULLA MACCHINA

Specifiche tecniche

Tensione	230 V
Frequenza	50 Hz
Corrente massima	10 A
Classe IP	IP 20
Misure tavolo	455 x 330 mm
Diámetro max della piastra di base della fresatrice	162 mm
Peso	6 kg

Informazioni sul prodotto

Fig. 1

1. Piano del tavolo
2. Gamba del tavolo
3. Pattino di pressione con giunti inclusi
4. Tassello per il tavolo
5. Scatola dell'interruttore
6. Filo dei pattini di pressione della guida longitudinale
7. Pattino di pressione della guida longitudinale
8. Filo dei pattini di pressione per il tavolo
9. Profilo della guida longitudinale
10. Sacchetto di plastica contenente viti e giunti



Il sacchetto di plastica non è un giocattolo! Per evitare il rischio di soffocamento, tenere la busta lontano da bambini e neonati. Non utilizzare su culle, letti, carrelli o box per bambini. Annodare il sacchetto prima di gettarlo via

Contenuto della confezione

- 1 Piano del tavolo
- 4 Gambe del tavolo
- 1 Pattino di pressione del tavolo, con giunti inclusi (set)
- 1 Tassello per il tavolo (set)
- 1 Scatola dell'interruttore
- 1 Filo dei pattini di pressione della guida longitudinale (set)
- 1 Pattino di pressione della guida longitudinale
- 1 Filo dei pattini di pressione del tavolo (set)
- 1 Profilo della guida longitudinale
- 4 Manopole
- 1 Sacchetto di plastica contenente viti e giunti, dettagliati qui sotto:
 - 4 Viti a croce, M6X20
 - 4 Bulloni a testa esagonale, M6X16
 - 1 Bulloni a testa esagonale, M6X25
 - 1 Bulloni a testa esagonale, M6X40
 - 16 Bulloni a testa esagonale incassata, M6X12
 - 4 Bulloni a testa bombata, M5X50
 - 6 Dadi, M6
 - 4 Dadi, M5
 - 18 Rondelle piatte, Ø 6
 - 2 Rondelle piatte grandi, Ø 6
 - 16 Rondelle elastiche, Ø 6
 - 2 Manopole di bloccaggio
- 1 Manuale utente
- 1 Certificato di garanzia

2. ISTRUZIONI DI SICUREZZA

Legenda dei simboli



Segnala il rischio di lesioni personali, morte o danni all'utensile qualora si manchi di seguire le istruzioni di questo manuale.



Indica pericolo di scossa elettrica.



Pericolo! Tenere le mani lontano dalle parti in movimento.



Indossare degli otoprotettori.



Indossare occhiali di sicurezza.



Indossare una mascherina anti-polvere.

Istruzioni di sicurezza supplementari

La sicurezza è il risultato del buon senso, della vigilanza e della conoscenza del funzionamento del proprio tavolo per fresatrice. Leggere questo manuale per capire questo tavolo per fresatrice.

- Indossare sempre una protezione per gli occhi.
- I livelli di rumore variano notevolmente a seconda del luogo. Per evitare possibili danni all'udito indossare tappi o cuffie imbottite per le orecchie quando si utilizza il tavolo per fresatrice per lunghi periodi di tempo.
- Per le operazioni che generano polvere indossare una mascherina anti-polvere e occhiali di sicurezza.
- Seguire le istruzioni contenute nel manuale della fresatrice.
- Avvertenza! Le vibrazioni provocate dalla fresatrice durante l'uso possono provocare l'allentamento dei dispositivi di fissaggio. Prima dell'uso e periodicamente durante l'uso, controllare tutti i dispositivi di fissaggio per verificare che siano ben stretti e sicuri.
- Non utilizzare questo prodotto finché non siano stati completati tutti i passaggi di assemblaggio e installazione. Assicurarsi di aver letto e compreso tutte le istruzioni relative alla sicurezza e al funzionamento contenute in questo manuale e il manuale della fresatrice.
- Assicurarsi che la fresa sia posizionata in maniera adeguata nella fresatrice prima di procedere al taglio.
- Non usare il tavolo per fresatrice come tavolo o superficie di lavoro, per evitare di danneggiarlo e renderlo pericoloso. A questo scopo dovrebbe essere utilizzato un tavolo da lavoro.
- Questo prodotto è progettato per tagliare oggetti piatti. Non tagliare o cercare di tagliare pezzi da lavorare. Non tagliare o cercare di tagliare oggetti che non siano piatti.
- Questo prodotto è progettato per tagliare soltanto pezzi da lavorare in legno. Non usarlo per tagliare metallo o altri materiali diversi dal legno.
- L'uso di supporti ausiliari per dirigere i pezzi da lavorare in ingresso e in uscita è fortemente raccomandato quando si lavorano oggetti lunghi. Altrimenti i pezzi da lavorare possono far rovesciare il tavolo per fresatrice.
- Tenere le mani lontane dalle frese e dall'area di lavoro.
- Fabbricarsi e usare uno strumento di spinta per spostare piccoli oggetti da lavorare nell'area di taglio.
- Pulire la fresatrice dopo l'uso. Si raccomanda di servirsi di un apparecchio combinato per l'aspirazione di polvere/liquidi o di un aspirapolvere.
- Assicurarsi sempre che la superficie di lavoro del tavolo per fresatrice sia pulita e libera da polvere, schegge e particelle estranee che possono interferire con il taglio che si intende praticare. Si raccomanda di servirsi di un apparecchio combinato per l'aspirazione di polvere/liquidi o di un aspirapolvere.
- La guida longitudinale fornita con il tavolo per fresatrice dispone di un estrattore della polvere a cui può essere collegato un apparecchio combinato per l'aspirazione di polvere/liquidi.
- Verificare il funzionamento della protezione prima di ciascun utilizzo. Rimuovere tutta la polvere, le schegge ed eventuali altre particelle estranee che possono comprometterne l'efficienza.
- Avvertenza! Non mettere mai le dita sotto la protezione dell'operatore quando la fresatrice è collegata alla presa di corrente o quando la

punta della fresatrice sta girando.

- Inserire sempre il pezzo da lavorare in direzione opposta alla rotazione del dispositivo di taglio o della fresa.
- Le frese sono estremamente affilate, prestare molta attenzione quando le si maneggiano e le si usano.
- Assicurarsi che le frese usate siano affilate o che siano state adeguatamente arrotate per poter lavorare velocemente, efficientemente e in sicurezza.
- Alcune fresatrici, quando vengono sistemate in posizione capovolta (come per es. su un tavolo per fresatrice), cadono o escono dalla base quando la pinza di bloccaggio è allentata per regolare l'altezza o la profondità di taglio. Pertanto, è estremamente importante supportare la fresatrice da sotto quando si effettuano queste registrazioni o se la pinza di bloccaggio alla base è allentata.
- Guardare sempre sotto il tavolo per fresatrice la scatola dell'interruttore quando si accende o si spegne la macchina. Toccare solo ed esclusivamente la scatola dell'interruttore quando si svolge questa operazione. Non mettere mai le mani sotto il tavolo per fresatrice per nessun motivo quando il tavolo per fresatrice è in funzione, tranne che per spegnerlo.
- Avvertenza! Prima di eseguire un taglio, assicurarsi che la fresatrice sia spenta, che la punta non stia girando e che il cavo di alimentazione sia staccato dalla presa elettrica. Quindi, accertarsi che la protezione dell'operatore non sia d'intralcio alla fresa e al pezzo da lavorare. Si raccomanda vivamente di effettuare una prova, con la fresatrice spenta e la punta non in fase di rotazione.
- Avvertenza! Non lasciare mai incustodito il tavolo quando la fresatrice è in funzione. Spegnerla prima di lasciare il tavolo per qualsiasi motivo.

Sicurezza elettrica



Controllare sempre che l'alimentazione corrisponda alla tensione riportata sui dati di targa.

Sostituzione dei cavi o delle spine

Gettare immediatamente le spine o i cavi vecchi che sono stati sostituiti. È pericoloso inserire la spina di un cavo allentato o sfrangiato in una presa a muro.

Utilizzo di prolunghe

Usare solo prolunghe omologate adatte alla potenza assorbita della macchina. La sezione minima del conduttore è di 1,5 mm². Quando si utilizza una prolunga avvolgicavo svolgere sempre completamente la bobina.

3. ASSEMBLAGGIO

Assemblaggio del tavolo per fresatrice

Fig. 1 - 13



Prima di assemblare il tavolo, assicurarsi che siano presenti tutti i componenti. In caso di ammanchi contattare il centro riparazioni all'indirizzo riportato sul certificato di garanzia.

Per assemblare il tavolo per fresatrice, procedere nel modo seguente:

- Poggiare il piano del tavolo (1, fig.1) capovolto su una superficie piana (fig.2).
- Montare una gamba del tavolo (2, fig.1) utilizzando quattro bulloni a testa esagonale (M6X12) e dadi (M6), senza stringere (fig.3).
- Ripetere la procedura spiegata qui sopra per le altre tre gambe e assicurarsi che le quattro gambe siano sulla stessa superficie piana, quindi stringere tutti i bulloni.
- Una volta che tutte e quattro le gambe sono ben strette, girare la macchina e controllare che il tavolo non dondoli. Se si rilevano dondoli, è necessario correggere il difetto prima di continuare allentando i bulloni sulla/e gamba/e interessate e regolare di conseguenza.
- Inserire due bulloni a testa bombata (M5X50) nei fori contrassegnati con "B" dalla superficie del tavolo della fresatrice (fig.4).
- Attaccare la guida longitudinale (9, fig.1) usando i bulloni a testa esagonale, le rondelle e le manopole in dotazione. Inserire i bulloni da sotto il tavolo attraverso i fori contrassegnati con "A" (fig.5). Sistemare la guida longitudinale sui bulloni e tenerla ferma in posizione con rondelle e manopole.

Nota: Usare la scala graduata per allineare con precisione la guida longitudinale.

- Montare il pattino di pressione della guida

longitudinale (7, fig. 1) procedendo nel modo seguente:

- *Allentare tutti i giunti sul filo del pattino di pressione della guida longitudinale (6, fig. 1).*
- *Inserire due bulloni a testa bombata (M6X25) nei fori sul piano del filo del pattino di pressione della guida longitudinale (fig. 6).*
- *Mettere il filo del pattino di pressione della guida longitudinale sul piano della guida longitudinale e allineare i due fori con quelli sulla guida longitudinale, quindi inserire due bulloni (M6X25) nei fori e assicurarli in posizione con dei dadi (fig. 7).*
- *Infilare la guida longitudinale, in modo da avere abbastanza spazio per il pattino di pressione della guida longitudinale, quindi mettere il pattino di pressione della guida longitudinale sui due bulloni e assicurarlo in posizione con rondella e manopola di bloccaggio (fig. 8 e fig. 9).*
- Sistemare il pattino di pressione del tavolo (3, fig. 1) procedendo nel modo seguente:
 - *Allentare tutti i giunti sul pattino di pressione del tavolo.*
 - *Allentare due viti sul filo guida del pattino di pressione del tavolo (8, fig. 1) e allineare i due fori sul filo del pattino del tavolo con i due fori sul lato anteriore del tavolo, quindi inserire due viti nei fori e assicurare il tutto in posizione con un dado (fig. 10).*
 - *Inserire due bulloni a testa bombata (M6X25) nel foro sul filo guida del pattino di pressione del tavolo, mettere il pattino di pressione per il tavolo sui due bulloni e assicurarli in posizione con rondella e manopola di bloccaggio (fig. 11 e fig. 12)*
- Montare la scatola dell'interruttore (5, fig. 1) procedendo nel modo seguente:
 - *Allineare due fori sulla scatola dell'interruttore con i due fori sul lato anteriore del tavolo.*
 - *Mettere in posizione con due viti a croce inserite sulla parte frontale del tavolo assicurato con due dadi (fig. 13).*

- Allentare le manopole di fissaggio della guida longitudinale e spingere in avanti la guida longitudinale il più possibile, per impedire che i bulloni a testa bombata della fresatrice (M5X50) cadano dal tavolo quando questo viene girato.
- Capovolgere il tavolo con attenzione poggiandolo su blocchi di legno di dimensioni adeguate o su supporti simili (fig. 14)
- Sistemare la fresatrice in posizione sulla parte sottostante del tavolo il più centrata possibile. Inserire due bulloni a testa bombata nei fori contrassegnati con "C" (fig. 4) dalla superficie superiore del tavolo, che ora risulta capovolto (fig. 15).
- Sistemare la fresatrice in posizione con i 4 bulloni senza stringere (fig. 16). Potrebbe essere necessario girare la fresatrice per individuare tutti e 4 i bulloni correttamente. Se la fresatrice è dotata di controllo della velocità provare, se possibile, a posizionare il controllo velocità dove si può facilmente raggiungere dalla parte frontale del tavolo. Quando la fresatrice si trova nella posizione desiderata, stringere i 4 bulloni in modo da evitare che la fresatrice si muova quando è in funzione.
- Inserire la spina della fresatrice nel connettore della scatola dell'interruttore.



Questo tavolo per fresatrice è in grado di alloggiare solo fresatrici con una piastra di base con diametro fino a 162 mm.

- Il tavolo per fresatrice è ora completamente assemblato e pronto per l'uso.

4. MESSA IN FUNZIONE



Quando si effettuano interventi di registrazione, ecc., assicurarsi sempre che la fresatrice sia isolata dall'alimentazione elettrica spegnendola e rimuovendo la spina dalla presa.

Nota: Consultare il manuale di istruzioni specifico della fresatrice quando si regolano l'altezza e la velocità, ecc.

Installazione delle punte

Per installare le punte quando la fresatrice è posizionata sul tavolo è necessario abbassare

Montaggio della fresatrice

Fig.14 - 16

Attaccare la fresatrice al tavolo procedendo nel modo seguente:

completamente la fresatrice stessa. Selezionare la fresa desiderata e installarla. Montare il tassello del tavolo che si avvicina di più alle dimensioni della fresa e assicurarsi che questa non tocchi il tassello.

Regolazione dell'altezza

Sollevarla la fresatrice finché la fresa sporge attraverso il tavolo nella misura desiderata. Praticare tagli di prova su pezzi di legno di scarto per avere le impostazioni giuste.

Regolazione della guida longitudinale

Allentare le due manopole di bloccaggio della guida longitudinale e posizionare la guida longitudinale come desiderato, usando le tacche graduate per sistemare parallelamente la guida longitudinale. Praticare tagli di prova su pezzi di legno di scarto per avere le impostazioni giuste.

Pattino di pressione

Sistemare il pattino di pressione della guida longitudinale per tenere il pezzo di legno orizzontalmente sul tavolo e contro la guida longitudinale quando si lavora a macchina. Per fare ciò, mettere il pezzo di legno contro la guida longitudinale e sotto il pattino da regolare, allentare le due manopole di bloccaggio e abbassare il pattino finché poggia sul legno, spingere il pattino ancora leggermente verso il basso per applicare una pressione sufficiente a tenere il legno piatto sul tavolo. Regolare la lastra di rinforzo del tavolo nello stesso modo per tenere il legno fermo contro la guida longitudinale.

Guida longitudinale di giunzione

Sistemare la guida longitudinale di giunzione per supportare il legno quando si taglia lo spessore intero. Regolare la profondità di taglio, ecc., come descritto in precedenza, procedere a lavorare a macchina il pezzo di legno finché il bordo di avanzamento abbia oltrepassato la guida longitudinale di giunzione di circa 25 mm. Spegnerla e isolare l'apparecchio dall'alimentazione elettrica. Tenere il legno fermo contro la guida longitudinale, allentare la manopola di bloccaggio della guida longitudinale di giunzione, far scorrere la guida longitudinale di giunzione all'esterno verso il legno finché lo tocca, quindi stringere la manopola di bloccaggio. Tirare via il pezzo da lavorare dalla fresa da taglio prima di riaccendere e continuare a lavorare a macchina.



Come per tutte le altre macchine utensili, specialmente quelle con frese/lame da taglio, tenere le mani e le dita lontane utilizzando degli strumenti di spinta ecc. quando si lavora su piccoli oggetti.

Estrazione della polvere

Fig. 17

Il tavolo per fresatrice è provvisto di impianto per l'estrazione delle polveri in cui un aspirapolvere può essere collegato alla bocchetta sul retro del tavolo, usando l'adattatore fornito. Il tubo di connessione deve avere un diametro interno di 34 mm per poter essere utilizzato con l'adattatore fornito. Il tubo, idealmente, dovrebbe avere una tenuta ragionevolmente perfetta sull'adattatore, che viene quindi spinto nel foro sul retro del tavolo. Si noti, tuttavia, che l'utente deve comunque utilizzare una maschera facciale per evitare l'inalazione di particelle di polvere.

5. MANUTENZIONE



Quando si eseguono interventi di manutenzione, ecc., assicurarsi sempre che la fresatrice sia isolata dall'alimentazione elettrica spegnendola e rimuovendo la spina dalla presa.

La macchina è stata progettata per funzionare per un lungo periodo con una manutenzione minima. Il funzionamento continuo in buone condizioni dipende da cure appropriate e da pulizia regolare.

Pulizia

Tenere pulite le feritoie di ventilazione della macchina per evitare il surriscaldamento del motore. Pulire con regolarità il corpo della macchina con un panno morbido, preferibilmente dopo ogni utilizzo. Tenere le feritoie di ventilazione libere da polvere e sporizia. Se lo sporco non viene rimosso, usare un panno morbido inumidito con acqua e sapone. Non usare mai solventi come benzina, alcool, ammoniaca in soluzione acquosa, ecc. Questi solventi potrebbero danneggiare le parti in plastica.

Lubrificazione

Questa macchina non richiede lubrificazione supplementare.

Guasti

Qualora si dovesse verificare un guasto, per es. in seguito ad usura di una parte, contattare il centro riparazioni all'indirizzo riportato sul certificato di garanzia. Alla fine di questo manuale è riportato un disegno esploso che mostra le parti che si possono ordinare.

Ambiente

Per evitare danni durante il trasporto, l'apparecchio è consegnato con un imballo solido che consiste principalmente di materiale riutilizzabile. Si raccomanda pertanto riciclare questo imballaggio utilizzando le opzioni a disposizione.

Garanzia

Per le condizioni di garanzia, consultare il certificato di garanzia fornito separatamente.

UTERBORD

Tack för att du har valt att köpa denna Ferm-produkt.

Du har nu en enastående produkt som har levererats av en av Europas ledande distributörer. Alla produkter som Ferm levererar till dig är tillverkade enligt högsta standarder för prestanda och säkerhet. Dessutom ingår det i vår filosofi att erbjuda en högklassig kundservice som backas upp av vår omfattande garanti.

Vi hoppas att du får många års glädje av din nya produkt.

Siffrorna i texten nedan hänvisar till bilderna på sidorna 2-6.



Läs noga igenom denna bruksanvisning innan du börjar använda maskinen. Gör dig bekant hur den fungerar och sköts. Underhåll maskinen enligt anvisningarna så att den alltid fungerar felfritt. Bruksanvisning och tillhörande dokumentation ska förvaras i närheten av maskinen.

Innehåll

1. Information om maskinen
2. Säkerhetsinstruktioner
3. Montering
4. Drift
5. Underhåll

1. INFORMATION OM MASKINEN

Tekniska specifikationer

Spänning	230 V
Frekvens	50 Hz
Maximal strömstyrka	10 A
IP-klass	IP 20
Tabellstorlek	455 x 330 mm
Max. diameter för routerbasplatta	162 mm
Vikt	6 kg

Produktinformation

Bild 1

1. Bordets ovansida
2. Bordsben
3. Tryckdyna för bord inklusive beslag
4. Bordsinsats
5. Kopplingsdosa

6. Skena för tryckdyna för inhägnad
7. Tryckdyna för inhägnad
8. Skena för tryckdyna för bord
9. Inhägnadsprofil
10. Plastpåse med skruvar och beslag



*Plastpåsen är ingen leksak!
Kvävningrisk finns, förvara påsen
oåtkomligt för spädbarn och barn.
Använd inte i spjälsängar, sängar,
vagnar eller lekhagar. Knyt ihop påsen
innan den slängs*

Paketets innehåll

- 1 Bordets ovansida
- 4 Bordsben
- 1 Tryckdyna för bord inklusive beslag (uppsättning)
- 1 Bordsinsats (uppsättning)
- 1 Kopplingsdosa
- 1 Skena för tryckdyna för inhägnad (uppsättning)
- 1 Tryckdyna för inhägnad
- 1 Skena för tryckdyna för bord (uppsättning)
- 1 Inhägnadsprofil
- 4 Knappar
- 1 Plastpåse med skruvar och beslag, för utförlig information se:
 - 4 Philips huvudskruvar, M6X20
 - 4 Sexkantsbultar, M6X16
 - 1 Sexkantsbultar, M6X25
 - 1 Sexkantsbultar, M6X40
 - 16 Allen sexkantsbultar, M6X12
 - 4 Vagnsbultar, M5X50
 - 6 Muttrar, M6
 - 4 Muttrar, M5
 - 18 Platta packningar, Ø 6
 - 2 Stora platta packningar, Ø 6
 - 16 Elastiska packningar, Ø 6
 - 2 Låsmuttrar
- 1 Användarmanual
- 1 Garantikort

2. SÄKERHETSINSTRUKTIONER

Förklaring av symbolerna



Betecknar risk för personskada, dödsfall eller skada på verktyg om instruktionerna i denna manual inte följs.



Indikerar risk för elektrisk stöt.



Fara! Håll händerna borta från rörliga delar.



Bär öronskydd.



Bär skyddsglasögon.



Bär dammfilterskydd.

Ytterligare säkerhetsinstruktioner

Säkerhet är en kombination av sunt förnuft, vaksamhet och kännedom om hur ditt routerbord fungerar. Läs denna manual för att förstå detta routerbord.

- Bär alltid ögonskydd.
- Bullernivåer varierar beroende på placering. För att undvika skador, bär öronskydd eller öronmuffar när du använder routerbordet under längre tidsperioder.
- Bär dammfilterskydd tillsammans med skyddsglasögon vid dammiga förhållanden.
- Följ instruktionerna i användarmanualen för din router.
- Varning! Vibrationer som orsakas av routern vid användning kan leda till att fästånordningarna lossnar. Inför användning och regelbundet under användning skall alla fästånordningar kontrolleras för att se till att de är åtdragna och sitter säkert.
- Använd inte denna product förrän alla monterings- och installationssteg har slutförts. Se till att du har last och förstått alla säkerhets- och driftsinstruktioner i denna manual och användarmanualen för routern.
- Kontrollera att routerns borrhår är korrekt monterat och fastklämt på routern innan du skär något.
- Använd inte routerbordet som arbetsbänk eller arbetsyta. Detta kan skada det och göra dess användning osäker. En arbetsbänk skall användas för detta ändamål.
- Denna product är avsedd för skärning av platta arbetsstycken. Skär eller försök inte skära arbetsstycken. Skär eller försök inte skära arbetsstycken som inte är platta.

- Denna produkt är endast avsedd för skärning av arbetsstycken i trä. Använd den inte för att skära metal eller andra material.
- Användning av extra stöd för in- och utmatning rekommenderas vid bearbetning av långa arbetsstycken. I annat fall kan dessa arbetsstycken leda till att routerbordet stjälpas.
- Håll händerna borta från routerns borrhår och arbetsytan.
- Tillverka och använd ett matarstycke för att flytta små arbetsstycken över skärytan.
- Rengör routern efter användning. Användning av våt/torr vakuumutrustning rekommenderas.
- Se till att routerbordets arbetsyta alltid är ren och fri från damm, flisor, och främmande partiklar som kan ha störande inverkan på den skärätgård du vill utföra. Användning av våt/torr vakuumutrustning rekommenderas.
- Den inhägnad som medföljer routerbordet har en dammuppsamlare till vilken en våt/torr vakuumutrustning kan anslutas.
- Kontrollera skyddets funktion inför varje användning. Avlägsna allt damm, flisor och andra främmande partiklar som kan påverka dess funktion.
- Varning! Placera aldrig fingrarna under den övre skyddsvakten när routern är ansluten till det elektriska uttaget, eller då routerns borrhår roterar.
- Mata alltid arbetsstycket mot skäranordningens eller routerborrhårets rotationsriktning.
- Routerborrhår är extremt vassa, var extra försiktig vid hantering och användning av dessa.
- Se till att de routerborrhår som används är vassa eller har vässats. Detta möjliggör snabb, effektiv och säker bearbetning.
- Vissa routers kommer, då de placeras upp och ner (som t.ex. på ett routerbord), kommer att ramlar eller falla ut ur routerns bas när basklämmorna lossas för att justera höjd eller skär djup. Det är därför extremt viktigt att stödja routern underifrån när du utför dessa justeringar eller då basklämmorna lossas.
- Titta alltid under routerbordet för att kontrollera routerns kopplingsdosa när routern slås PÅ eller AV. Vidrör ingenting utom kopplingsdosan när du gör detta. Vidrör aldrig bordets undersida då routerbordet när routerbordet är i drift, bortsett från att stänga AV det.
- Varning! Innan du utför en skärningsåtgärd,

skall du se till att routern är inställd på AV, att routerns borrhår inte roterar och att strömladdan inte är ansluten till eluttaget. Kontrollera därefter att de över skyddsvakterna inte blockerar routerns borrhår eller arbetsstycket. Ett test, med routern i läget AV och routerns borrhår i fränkopplat läge, rekommenderas.

- Varning! Lämna aldrig routerbordet utan tillsyn då routern är i drift. Slå AV routern innan du lämnar routerbordet av någon anledning.

Elsäkerhet



Se alltid till att eltillförseln motsvarar spänningstalet på märkplåten.

Utbyte av sladdar eller kontakter

Släng genast gamla sladdar eller kontakter när de bytts ut mot nya. Det är farligt att ansluta kontakten till en lös sladd i vägguttaget.

Användning av förlängningssladdar

Använd endast godkända förlängningssladdar för anslutning av maskinen. Minsta ledningsstorlek är 1.5 mm². När du använder en kabeltrumma skall trumman alltid vecklas ut helt.

3. MONTERING

Montering av routerbordet

Bild 1 - 13



Inför montering av bordet skall du se till att alla komponenter finns till hands. Om något saknas skall du kontakta serviceadressen på garantikortet.

För att montera ditt routerbord gör du som följer:

- Placera bordsskivan (1, bild 1) upp och ner på en plan yta (bild 2).
- Placera ett bordsben (2, bild 1) med hjälp av fyra sexkantsbultar (M6X12) och muttrar (M6), utan att helt dra åt ännu (bild 3).
- Upprepa ovanstående för övriga tre ben och se till att de fyra benen står på samma plana yta. Drag därefter åt alla bultar.
- Då alla fyra ben är säkert åtdragna, vänd på enheten och kontrollera att bordet inte är vingligt. Om du upptäcker att det är vingligt

måste det korrigeras innan du fortsätter genom att lossa bultarna på de felande benet/ benen och justera.

- Infoga två vagnsbultar (M5X50) i hålen märkta "B" från bordets ovansida (bild 4).
- Montera inhägnaden (9, bild 1), med hjälp av medföljande sexkantsbultar, packningar och muttrar. Infoga bultarna från bordets undersida via hålen märkta "A" (bild 5). Placera inhägnaden på bultarna och dra åt på plats med packningar och muttrar.

OBS: Använd graderade skalor för att justera inhägnaden korrekt.

- Montera inhägnadens tryckdyna (7, bild 1) på följande sätt:
 - *Lossa alla fästen på skenan till inhägnadens tryckdyna (6, bild 1).*
 - *Infoga två vagnsbultar (M6X25) i hålen på ovansidan av skenan till inhägnadens tryckdyna (bild 6).*
 - *Placera skenan till inhägnadens tryckdyna på ovansidan av inhägnaden och justera två hål med de två hålen på inhägnaden, infoga därefter två bultar (M6X25) i hålen och fäst på plats med muttrarna (Bild 7).*
 - *Skjut den främre inhägnaden, för att bereda tillräckligt med plats för inhägnadens tryckdyna, och placera därefter inhägnadens tryckdyna på de två bultarna, och fäst dem med packning och låsmutter (bild 8 och bild 9).*
- Montera bordets tryckdyna (3, bild 1) på följande sätt:
 - *Lossa alla fästen på bordets tryckdyna.*
 - *Lossa två skruvar på skenan för bordets tryckdyna (8, bild 1), och justera två hål på skenan för bordstryck i två hål på bordets främre vägg, infoga därefter två skruvar i hålen och fäst dem på plats med muttern (Bild 10).*
 - *Infoga de två vagnsbultarna (M6X25) i hålet på skenan för bordets tryckdyna, och placera bordets tryckdyna på de två bultarna, och fäst dem på plats med packning och låsmutter (Bild 11 och Bild 12)*
- Montera kopplingsdosan (5, bild 1) på följande sätt:
 - *Justera två hål på kopplingsdosan med*

två hål på bordets främre sidovägg.

- *Montera på plats med två Philips skruvar infogade från bordets framsida, fästa med två muttrar (bild 13).*

Montering av router

Bild 14 - 16

Montera routern vid routerbordet på följande sätt:

- Lossa inhägnadens fästmuttrar och skjut inhägnaden framåt så långt som möjligt, detta förhindrar routerns vagnsbultar (M5X50) från att falla genom bordet när det vänds.
- Vänd försiktigt på bordet och stöd det genom att placera det på tråklossar eller andra stödjande föremål av lämplig storlek. (Bild 14)
- Placera routern på plats på bordets undersida så centralt som möjligt. Infoga två vagnsbultar i hålen märkta med "C" (bild 4) från bordets ovansida, nu underifrån (bild 15).
- Drag löst åt routern på plats med hjälp av de 4 bultarna (bild 16). Det kan vara nödvändigt att rotera routern för korrekt lokalisering av alla 4 bultar. Om routern är utrustad med en hastighetskontroll, försök om möjligt att placera den där den enkelt kan nås från bordets framsida. Då routern är i korrekt position, drag åt de 4 bultarna så att routern inte flyttas när den är i drift.
- Anslut routerns kontakt till uttaget i kopplingsdosan.



Detta routerbord passer endast för routeranordningar med en basplatta på upp till 162mm.

- Ditt routerbord är nu monterat och klart för användning.

4. DRIFT



När du utför justeringar etc, skall du alltid se till att routern är isolerad från huvuduttaget genom att slå av och avlägsna kontakten från uttaget.

OBS: Se alltid den särskilda användarmanualen för routern när du utför justeringar av höjd och hastighet etc.

Installation av borrhår

För att installera borrhår när routern är placerad på bordet, måste routern sänkas helt. Välj önskat

borrskär och installera. Montera ett borrskär av lämplig storlek, och se till att borrskäret inte kommer i kontakt med insatsen.

Justering av höjd

Höj routern till dess att borrskäret skjuter upp genom bordet med önskad höjd. Utför testskärningar på spillbitar av trä för att kontrollera justeringen.

Justering av inhägnad

Lossa de två klämmorna till inhägnaden och placera inhägnaden som du vill ha den, använd graderingsmarkeringarna för att placera inhägnaden parallellt. Utför testskärningar på spillbitar av trä för att kontrollera justeringen.

Tryckdyna

Placera tryckdynan så att den håller en bit trä plant mot bordet och mot inhägnaden medan du arbetar med maskinen. Detta görs genom att placera en bit trä mot inhägnaden och under den dyna som skall justeras, lossa de två låsmuttrarna och sänk dynan till dess att den vilar måt träet. Tryck dynan nedåt ytterligare för att utöva tillräckligt tryck för att träet skall hållas plant mot bordet. Justera bordets fjäderbräde på samma sätt för att hålla fast träet mot inhägnaden.

Nedfilningsinhägnad

Ställ in nedfilningsinhägnaden för att stödja träet då du skär i dess fulla tjocklek. Justera skärdjupet etc. som tidigare beskrivits, fortsätt med att bearbeta träbiten till dess att kanten passerat över nedfilningsinhägnaden med cirka 25mm. Stäng av och isolera från huvuduttaget. Håll träet fast mot inhägnaden, lossa nedfilningsinhägnadens klämanordning, skjut nedfilningsinhägnaden utåt mot träet och drag åt klämanordningen. Drag arbetsstycket från skäranordningen innan du slår på enheten på nytt och fortsätt bearbetningen.



Precis som med alla elverktyg, särskilt de med skärblad, skall du hålla händer och fingrar borta från bladen genom att använda matarstycken när du arbetar med små arbetsstycken.

Avlägsnande av damm

Bild 17

Routerbordet är försett med en funktion för dammrengöring, där en vakuumanordning kan kopplas till utloppet på bordets baksida, med hjälp

av medföljande adapter. Anslutningsslangen skall ha en insides diameter på 34mm för att passa medföljande adapter, slangen skall sluta tätt om adaptern, som därefter trycks in i hålet på bordets baksida. Observera att detta inte utesluter det faktum att användaren skall bära skyddsmask för att undvika inandning av dammpartiklar.

5. UNDERHÅLL



När du utför underhåll etc, skall du alltid se till att routern är isolerad från huvuduttaget genom att slå av och avlägsna kontakten från uttaget.

Maskinen har utformats för drift under en längre tidsperiod med minsta möjliga underhåll. Regelbunden drift beror på korrekt maskinvård och regelbunden rengöring.

Rengöring

Håll maskinens ventilationshål rena för att förebygga överhettning av motorn. Rengör regelbundet maskinens hölje med en mjuk trasa, helst efter varje användningstillfälle. Håll ventilationshålen fria från damm och smuts. Om smuts inte lossnar kan en mjuk trasa fuktad med tvålblandat vatten användas. Använd aldrig lösningar som t.ex. bensin, alkohol, ammoniak etc. Dessa lösningar kan skada delarna i plast.

Smörjning

Maskinen kräver ingen ytterligare smörjning.

Fel

Om ett fel skulle uppstå, t.ex. vid utslitna delar, skall du kontakta serviceadressen på garantikortet. På baksidan av denna manual hittar du en detaljerad bild över de delar som kan beställas.

Miljö

För att förebygga skada under transport, levereras utrustningen i en stabil förpackning som till stor del består av återanvändbart material. Tänk därför på att återvinna förpackningsmaterialet.

Garanti

För garantivillkor, se den information som anges på det separata garantikortet.

JYRSINPÖYTÄ

Kiitos, että ostit tämän Ferm-tuotteen.

Niin tekemällä sinulla on nyt oivallinen tuote, jonka on toimittanut eräs Euroopan johtavista toimittajista.

Kaikki tuotteet, jotka Ferm on sinulle toimittanut, on valmistettu korkeimpien suorituskyky- ja turvallisuusnormien mukaan, ja osana filosofiaamme on järjestää oivallista asiakaspalvelua, johon kuuluu täydellinen takuamme.

Toivomme, että nautit tämän tuotteen käyttämisestä monia tulevia vuosia.

Tekstin numerot viittaavat kaavioihin sivuilla 2-6.



Lue tämä käyttöohje huolellisesti ennen laitteen käyttöönottoa. Tutustu laitteen toimintatapaan ja käyttöön. Huolla laite ohjeiden mukaisesti, jotta se toimii aina moitteettomasti. Käyttöohje ja siihen liittyvät asiakirjat on säilytettävä laitteen läheisyydessä.

Sisältö

1. Laitetiedot
2. Turvaohjeet
3. Kokoaminen
4. Käyttö
5. Huolto

1. LAITETIEDOT

Tekniset tiedot

Volttimäärä	230 V
Taajuus	50 Hz
Suurin virta	10 A
IP-luokka	IP 20
Pöytäkoko	455 x 330 mm
Jyrsinpöytälevyn maks. läpimitta	162 mm
Paino	6 kg

Tuotetiedot

Kuva 1

1. Pöytätaso
2. Pöydän jalka
3. Pöydän ohjainlevy kiinnikkeineen
4. Pöydän välikappale
5. Virtakytkinkotelo

6. Ohjainkisko ohjainpainolevylle
7. Ohjainpainolevy
8. Ohjainkisko pöydän ohjainlevylle
9. Ohjainprofiili
10. ruuvit ja sovitteet sisältävä muovipussi



Muovipussi ei ole leikkikalua! Vältä tukehtumisvaara pitämällä tämä pussi pois lasten ulottuvilta. Älä jätä lastensänkyihin tai leikkikiehiin. Solmi pussi solmuun ennen hävittämistä

Paketin sisältö

- 1 Pöytätaso
- 4 Pöydän jalkaa
- 1 Pöydän ohjainlevy kiinnikkeineen (sarja)
- 1 Pöydän välikappale (sarja)
- 1 Virtakytkinkotelo
- 1 Ohjainkisko ohjainpainolevylle (sarja)
- 1 Ohjainpainolevy
- 1 Ohjainkisko pöydän ohjainlevylle (sarja)
- 1 Ohjainprofiili
- 4 Kahvaa
- 1 Ruuvit ja sovitteet sisältävä muovipussi, eriteltynä seuraavassa:
 - 4 ruuvia Philips-ristiuralla, M6X20
 - 4 kuusikulmaista pulttia, M6X16
 - 1 Kuusikulmainen pultti, M6X25
 - 1 Kuusikulmainen pultti, M6X40
 - 16 Kuusiokolopulttia, M6X12
 - 4 Kuusiopulttia, M5X50
 - 6 Mutteria, M6
 - 4 Mutteria, M5
 - 18 Litteää tiivisterengasta, Ø 6
 - 2 Suurta litteää tiivisterengasta, Ø 6
 - 16 Elastista tiivisterengasta, Ø 6
 - 2 Lukituskahvaa
- 1 Käyttöohje
- 1 Takuukortti

2. TURVAOHJEET

Merkit käyttöohjeessa



Merkitsee henkilökohtaista loukkaantumisvaaraa, hengenvaaraa tai laitteen vaurioitumisvaaraa, mikäli tämän käyttöohjeen neuvoja ei noudateta.



Osoittaa sähköiskuvaaraa.



Vaara! Pidä kädet poissa liikkuvista osista.



Käytä kuulosuojaimia.



Käytä suojalaseja.



Käytä pölysuojainta.

Lisäturvaohjeet

Turvallisuus on yhdistelmä tervettä järjettä, valppautta ja jyrinspöydän toiminnan tuntemusta. Lue tämä käyttöopas ymmärtääksesi tämän jyrinspöydän toimintatavan.

- Käytä aina näkösuojaimia.
- Melutaso vaihtelee paljon sijainnista riippuen. Vältä mahdollista kuulovauriota, käytä korvatulppia tai kuulosuojaimia jyrinspöytä käytettäessä pitkiä aikoja.
- Käytä pölyisissä töissä pölysuojainta sekä näkösuojainta.
- Noudata jyrsimen käyttöohjeita.
- Varoitus! Jyrsimen aiheuttama tärähtely käytön aikana voi saada kiinnittimet löystymään. Ennen käyttöä ja säännöllisesti käytön aikana, tarkasta kaikki kiinnittimet varmistaaksesi, että ne ovat tiukasti kiinni.
- Älä käytä tätä tuotetta, ennen kuin kaikki kokoamis- ja asennusvaiheet on suoritettu. Varmista, että olet lukenut ja ymmärtänyt kaikki turva- ja käyttöohjeet tässä käyttöohjeessa ja jyrsimen käyttöohjeessa.
- Varmista, että jyrsimen terä on oikein suunnattu ja kiinnitetty jyrsimen, ennen kuin alat leikata.
- Älä käytä jyrinspöytää työpöytä tai työpintana. Tämä saattaa vahingoittaa sitä, tehden siitä epäturvallisen käyttöä. Näihin töihin tulee käyttää erillistä työpöytää.
- Tämä tuote on suunniteltu liitteiden työkalujen leikaamiseen. Älä leikkaa tai yritä leikata työkaluja poikki. Älä leikkaa tai yritä leikata työkaluja, jotka eivät ole liitteitä.
- Tämä tuote on suunniteltu ainoastaan puun leikkaamiseen. Älä käytä metallin tai muiden kuin puumateriaalien leikkaamiseen.
- Lisätukilevyjen käyttöä suositellaan erityisesti,

kun jyrsitään pitkiä puukappaleita. Muutoin tällaiset kappaleet saattavat kaataa jyrinspöydän.

- Pidä kädet poissa jyrinteristä ja työalueelta.
- Tee ja käytä työntötkkua pienten työkalujen liikuttamiseen leikkuualueella.
- Puhdista jyrsin käytön jälkeen. Märkä/kuivaimurin käyttöä suositellaan.
- Varmista aina, että jyrinspöydän työpinta on vapaa pölystä, lastuista ja vieraista hiukkasista, jotka saattavat häiritä leikkaamista. Märkä/kuivaimurin käyttöä suositellaan.
- Jyrinspöydän mukana toimitetussa ohjaimessa on pölynkerääjä, johon märkä/kuivaimuri voidaan kiinnittää.
- tarkista suojalevyn toiminta ennen jokaista käyttöä. Poista kaikki pöly, lastut ja muut vieraat hiukkaset, jotka voivat vaikuttaa sen toimintaan.
- Varoitus! Älä koskaan laita sormiasi yläsuojalevyn alle, kun jyrsin on kytketty verkkovirtaan tai kun jyrinterä pyörii.
- Syötä aina työkalu leikkuri-tai jyrinterän pyörimissuuntaa vastaan.
- Jyrinterät ovat erittäin teräviä, noudata erityistä varovaisuutta niitä käsiteltäessä ja käytettäessä.
- Varmista, että käytetyt jyrinterät ovat teräviä tai että ne on teroitettu kunnolla. Tämä mahdollistaa nopean, tehokkaan ja turvallisen jyrinsinän.
- Jotkin jyrsimet, kun ne asetetaan ylösalaisin (niinkuin tässä jyrinspöydässä), putoavat jyrsimen alustasta kun alustan puristinta avataan leikkuusyvyyden säätämiseksi. Tästä syystä on erittäin tärkeää tukea jyrshintä alta näitä säätöjä tehtäessä tai aina muulloin kun alustan puristinta avataan.
- Katso aina jyrinspöydän alle jyrinkytkintä kun käännät jyrsimen ON- tai OFF-asentoon. Älä koske mihinkään muualle kuin kytkinkoteloon kun teet näin. Älä koskaan kurkota jyrinspöydän alle mistään syystä kun jyrinspöytä on käytössä, paitsi kytkkeäksesi sen pois päältä OFF-asentoon.
- Varoitus! Ennen kuin alat leikata, varmista että jyrsin on käännetty OFF-asentoon, että jyrinterä ei pyöri ja että virtajohto on irti pistorasiasta. Varmista sitten, että yläsuojalevy peittää jyrinterän ja työkalun. Koekäyttö jyrsimen ollessa OFF-asennossa ja jyrsimenterän ollessa

pyörimättä on erittäin suositeltavaa.

- Varoitus! Älä koskaan jätä jyrsinpöytää valvomatta kun jyrsinterä pyörii. Käännä jyrsin OFF-asentoon, ennen kuin lähdet pois pöydän luota mistä syystä tahansa.

Sähköturvallisuus



Tarkista aina, että virtalähde vastaa laitteen arvokilven volttimäärää.

Johtojen tai pistokkeiden vaihtaminen

Hävitä välittömästi vanhat johdot tai pistokkeet kun ne on korvattu uusilla. On vaarallista kytkeä irtonainen virtajohto sähköpistokkeeseen.

Jatkojohtojen käyttö

Käytä ainoastaan hyväksytyjä jatkojohtoja, jotka sopivat laitteen ottotehoon. Minimi johdinkoko on 1.5 mm². Käytettäessä kaapelikelaa, kierrä kela täysin auki.

3. KOKOAMINEN

Jyrsinpöydän kokoaminen

Kuva 1 - 13



Ennen pöydän kokoamista, varmista että kaikki osat ovat mukana. Mikäli jotain puuttuu, ota yhteys takuukortin palveluosihteeseen.

Jyrsinpöydän kokoamiseksi, toimi seuraavasti:

- Aseta pöytälevy (1, Kuva 1) ylösalaisin tasaiselle pinnalle (Kuva 2).
- Asenna pöydän jalka (2, Kuva 1) Käyttäen neljää kuusikulmaista pulttia (M6X12) ja mutteria (M6), älä kiristä vielä täysin (Kuva 3).
- Toista yllämainittu vaihe kolmen muun jalan osalta ja varmista, että neljä jalkaa ovat samalla tasaisella pinnalla, kiristäen sitten pultiit.
- Kun kaikki jalat on varmasti kiristetty, käännä kappale oikein päin ja tarkista, ettei se heilu. Jos heilumista esiintyy, se pitää korjata ennen kuin jatkat, avaamalla vikana olevien jalkojen pultteja ja säättäen tarpeen mukaan.
- Aseta kaksi kuusiopulttia (M5X50) reikiin, jotka on mekrittä "B" pöydän yläpuolelta (Kuva 4).
- Kiinnitä ohjainprofiili (9, Kuva 1) käyttäen

toimitettuja kuusikulmaisia pultteja, tiivisterenkaita ja lukituskahvaa. Aseta pultit pöydän alakautta läpi "A" merkittyjen reikiin (Kuva 5). Aseta ohjainprofiili pultteihin ja kiinnitä paikalleen tiivisterenkaiden ja lukituskahvojen avulla.

Huomaa: käytä mitta-asteikkoa avuksi profiilin suuntaamiseen tarkasti.

- Sovita ohjainpainolevy (7, Kuva 1) toimimalla seuraavasti:
 - *Avaa kaikki kiinnittimet ohjainpainolevyn ohjainkiskossa (6, Kuva 1).*
 - *Aseta kaksi ohjainpulttia (M6X25) reikiin ohjainpainolevyn ohjainkiskossa (Fig. 6).*
 - *Aseta ohjainpainolevyn ohjainkisko ohjainprofiilin päälle ja kohdista kaksi reikää profiilin kahden reiän kanssa, asettaen sitten kaksi pulttia (M6X25) reikiin ja kiinnittäen ne paikalleen muttereilla (Kuva 7).*
 - *Liu'uta kaksi etuohjainta saadaksesi tilaa ohjainpainolevylle, laita sitten ohjainpainolevy kahteen pulttiin ja kiinnitä se paikalleen tiivisterenkaan ja lukituskahvan avulla (Kuva 8 ja kuva 9).*
- Sovita pöydän ohjainlevy (3, Kuva 1) seuraavasti:
 - *Avaa kaikki kiinnittimet pöydän ohjainlevyssä.*
 - *Avaa kaksi ruuvia pöydän ohjainlevyn ohjainkiskossa (8, Kuva 1) ja kohdista kaksi reikää ohjainkiskossa kahden reiän kanssa pöydän etunreunassa, asettaen kaksi ruuvia reikiin ja kiinnittäen ne paikalleen muttereiden avulla (Kuva 10).*
 - *Aseta kaksi ohjainpulttia (M6X25) reikiin pöydän ohjainlevyn ohjainkiskossa ja aseta pöydän ohjainlevy kahteen pulttiin, kiinnittäen ne tiivisterenkaiden ja lukituskahvojen avulla (Kuva 11 ja kuva 12)*
- Aseta kytkinkotelo (5, Kuva 1) seuraavasti:
 - *Kohdista kaksi reikää kytkinkotelossa kahteen reikään pöydän etuseinässä.*
 - *Sovita kaksi Phillips-ristiuruuvia pöydän etukautta ja kiristä kahden mutterin avulla (Kuva 13).*

Jyrsimen kiinnitys

Kuva 14 - 16

Kiinnitä jyrsin jyrsinpöytään seuraavasti:

- Avaa profiilin lukituskahvat ja liu'uta profiili niin pitkälle eteen kuin mahdollista, tämä estää jyrsimen ohjainpultteja (M5X50) putoamasta pöydän läpi kun se käännetään ylösalaisin.
- Käännä pöytä varovasti ylösalaisin ja tue se asettamalla sopivankokoisia puupaloja tms tukikappaleita sen alle. (Fig. 14)
- Aseta jyrjsijä paikalleen pöydän alle niin keskelle kuin mahdollista. Aseta kaksi ohjainpulttia "C" merkittyihin reikiin (Kuva 4) pöydän yläkautta, joka nyt on alaspäin (Kuva 15).
- Kiinnitä jyrjsijä löysästi paikalleen 4 pultin (Kuva 16) avulla. Jyrjsintä saattaa olla tarpeellista kiertää kaikkien 4 pultin sijoittamiseksi oikein. Jos jyrjsijä on varustettu nopeussäätimellä, yritä jos mahdollista sijoittaa nopeussäädin siten, että siihen on helppo pääsy pöydän etupuolelta. Kun jyrjsijä on halutussa asennossa, kiristä 4 pulttia riittävästi estämään jyrsimen liikkumisen sitä käytettäessä.
- Kytke jyrsimen pistoke kytkinkotelon liittimeen.



Tämä jyrsinpöytä sopii ainoastaan jyrsimiin, joiden pohjalevy on läpimitaltaan maksimissaan 162mm.

- Jyrsinpöytäsi on nyt täysin koottu ja käyttövalmis.

4. KÄYTTÖ



Kun teet säätöjä yms, varmista aina, että jyrsin on kytketty irti päävirtälähteestä kytkemällä se pois päältä ja poistamalla pistoke pistorasiasta.

Huomaa: Noudata aina jyrsimen omaa ohjekirjaa, kun teet säätöjä korkeuteen ja nopeuteen jne.

Terien asennus

Terien asennus jyrsimen ollessa kiinni pöydässä vaatii jyrsimen laskemista kokonaan alas. Valitse haluttu terä ja asenna se. Sovita terään parhaiten sopiva välikappale ja varmista, ettei terä osu siihen.

Korkeussäätö

Nosta jyrjsintä, kunnes terä tulee läpi pöydän halutulla korkeudella. Tee koeleikkauksia

jätepuukappaleeseen, säätääksesi korkeuden tarkasti.

Ohjaimen säätö

Avaa ohjaimen kaksi lukituskahvaa ja aseta ohjain kuten haluat, käytä mittataulukkoa asettaaksesi ohjaimen suoraan. Tee testileikkauksia jätepuukappaleilla säätääksesi ohjaimen tarkasti.

Painolevy

Säädä painolevy pitämään puukappale tasaisesti pöytää vasten ja ohjainta vasten, kun työstät kappaletta. Tehdäksesi näin, aseta puukappale ohjainta vasten ja säädettävän levyn alle, avaa kaksi lukituskahvaa ja laske levy kunnes se lepää puun päällä, painaen levyä hiukan lisää, jotta puuhun kohdistuu riittävä paine puun pitämiseksi paikallaan pöydällä. Säädä pöydän ohjauslistaa samalla tavalla pitääksesi puun lujasti kiinni ohjainta vasten.

Liitosohjain

Aseta liitosohjain tukemaan puuta kun leikkaat koko paksuutta. Säädä leikkusuovyvyys ym. kuten aiemmin kuvattiin ja työstä kappaletta, kunnes etureuna kulkee liitosohjaimen yli noin 25mm. Kytke laite pois päältä ja ja irrota se verkkovirrasta. Pidä puuta tiukasti ohjainta vasten, irroitteen liitosohjaimen lukituskahvan. vedä työkappale pois leikkurista, ennen kuin kytket laitteen uudelleen päälle ja jatkat työstämistä



Kuten kaikkien muidenkin sähkötyökalujen kohdalla, erityisesti koskien leikkureita/teriä, pidä kädet ja sormet turvallisesti poissa terien läheisyydestä, käyttäen työntötikkuja yms. kun työskentelet pienten työkappaleiden kanssa.

Pölynpoisto Kuva 17

Jyrsinpöytä toimitetaan pölynpoistovalmiudella, jossa imuri voidaan kytkeä liittimeen pöydän takaosassa, käyttäen mukana toimitettua sovituskappaleita. Liitosletkun tulee olla sisämitaltaan 34mm sopiakseen mukana toimitettuun liittimeen, letkun tulisi sopia suhteellisen tiukasti liittimeen, joka sitten työnnetään aukkoon pöydän takaosassa. Huomaa kuitenkin, että tämä ei vapauta käyttäjää käyttämästä hengitysuojainta estämään pölyhiukkasten sisäänhengitystä.

5. HUOLTO



Huoltotoimia ym. tehtäessä, varmista aina että jyrsin on irrotettu päävirtälähteestä kytkemällä se pois päältä ja irrottamalla pistoke sähkörasiasta.

Laite on suunniteltu toimimaan pitkäjaksoisesti ja vaatimaan minimaalista huoltoa. Jatkuva tyydyttävä käyttö riippuu oikeasta laitehuollosta ja säännöllisestä puhdistuksesta.

Puhdistus

Pidä laitteen ilmanottoaukot auki estääksesi koneen ylikuumentumista. Puhdista koneen runko säännöllisesti pehmeällä kankaalla, mieluiten jokaisen käyttökerran jälkeen. Pidä tuuletusaukot vapaana pölystä ja liasta. Jos lika ei lähde irti, käytä pehmeää kangasta, joka on kostutettu saippuavedessä. Älä koskaan käytä liuottimia kuten petroli, alkoholi, ammoniakivesi jne. Nämä liuottimet saattavat vahingoittaa muoviosia.

Voitelu

Tämä laite ei vaadi lisävoitelua.

Viat

Mikä vikaa ilmenee, esim. osan kulumisen vuoksi, ota yhteyttä takuukortin palvelusoihteeseen. Löydät tämä käyttöohjeen takaosasta rakennekaavion, josta ilmenevät tilattavat osat.

Ympäristö

Estämään laitteen vaurioituminen kuljetuksen aikana, se toimitetaan pakattuna täyteaineilla, jotka koostuvat lähinnä kierrätettävistä materiaaleista. Käytä sen vuoksi hyväksesi pakkausmateriaalien kierrätysmahdollisuutta.

Takuu

Takuuehdot löydät erilliseltä takuukortilta.

HØVELBENK

Tusen takk for at du valgte dette Ferm-produktet.

Det betyr at du nå har anskaffet et fremragende produkt, levert av en av Europas ledende distributører.

Alle produkter fra Ferm er framstilt i samsvar med de strengeste standarder når det gjelder ytelse og sikkerhet. En del av vår filosofi er også å yte fortreffelig kundeservice, som i tillegg støttes av vår omfattende garanti.

Vi håper du vil ha glede av dette produktet i mange år framover.

Tallene i teksten henviser til diagrammene på side 2-6.



Les bruksanvisningen nøye før du tar maskinen i bruk. Gjør deg kjent med hvordan redskapen fungerer og hvordan den skal brukes. Vedlikehold maskinen som angitt i instruksene, slik at den alltid fungerer knirkefritt. Bruksanvisning og tilhørende dokumentasjon skal oppbevares i nærheten av maskinen.

Innhold

1. Maskinformasjon
2. Sikkerhetsinstruksjoner
3. Montering
4. Drift
5. Vedlikehold

1. MASKININFORMASJON

Tekniske spesifikasjoner

Spenning	230 V
Frekvens	50 Hz
Maksimum strøm	10 A
IP klasse	IP 20
Bordstørrelse	455 x 330 mm
Maks høvelplate diameter	162 mm
Vekt	6 kg

Maskinformasjon

Fig. 1

1. Benkplate
2. Bordben
3. Benktrykkpute med tilbehør

4. Benktilføyning
5. Koblingsboks
6. Veiledning for gjerdetrykkpute
7. Gjerdetrykkpute
8. Veiledning for benktrykkpute
9. Gjerdesnitt
10. Plastikkpose med skruer og tilbehør



Plastikkposen er ikke noen leke! Unngå kvelningsfare, hold posen vekke fra spedbarn og småbarn. Ikke bruk den i vugger, senger, bærebager eller lekegrinder. Knyt sammen posen før du kaster den

Pakkens innhold

- 1 Benkplate
- 4 Bordben
- 1 Benk trykkpute med tilbehør (sett)
- 1 Benktilføyning (sett)
- 1 Koblingsboks
- 1 Veiledning for gjerde trykkpute (sett)
- 1 Gjerdetrykkpute
- 1 Veiledning for benktrykkpute (sett)
- 1 Gjerdesnitt
- 4 Knotter
- 1 Plastikkpose med skruer og tilbehør, for detaljer se følgende:
 - 4 Philips hoved skruer, M6X20
 - 4 Philips hoved bolter, M6X16
 - 1 Philips hoved bolter, M6X25
 - 1 Sekskantskrue, M6X40
 - 16 Unbraco sekskantskruer, M6X12
 - 4 Karosseriskruer, M5X50
 - 6 Muttere, M6
 - 4 Muttere, M5
 - 18 Flat underlagsskive, Ø 6
 - 2 Stor flate underlagsskive, Ø 6
 - 16 Elastisk underlagsskive, Ø 6
 - 2 Låseknapp
- 1 Brukerveiledning
- 1 Garantikort

2. SIKKERHETSINSTRUKSJONER

Forklaring av symbolene



Hvis en ikke følger instruksjonene i denne brukerveiledningen, kan det føre til risiko for personskade, tap av liv eller skade på verktøy.



Indikerer fare for elektrisk støt.



Fare! Hold hendene vekke fra deler i bevegelse.



Bruk hørselsvern.



Bruk vernebriller.



Bruk støvmaske.

Ekstra sikkerhetsinstruksjoner

Sikkerhet er en kombinasjon av sunn fornuft, årvåkenhet og at du vet hvordan høvelbenken virker. Les denne brukerveiledningen for å forstå hvordan høvelbenken virker.

- Bruk alltid vernebriller.
- Støynivået varierer sterkt etter sted. Bruk øreplugg eller hørselsvern for å unngå evt. hørselsskade når du bruker høvelbenken lenge.
- Bruk støvmaske med vernebriller ved støvete arbeid..
- Følg instruksene i brukerveiledningen for høvelbenken.
- Advarsel! Vibrasjoner skapt av høvelbenken kan forårsake festeanordninger til å løsne. Sjekk alle festeinnretninger før bruk og innimellom for å sikre at de er faste og sikre.
- Ikke bruk dette produktet før du har montert og installert alt ferdig. Vær sikker på at du har lest og forstått alle sikkerhets og brukerinstruksjoner i denne veiledningen til høvelbenken..
- Kontroller at høvelbitsen er i riktig posisjon og klemt fast i høvelen før en begynner å skjære.
- Ikke bruk høvelbenken som et arbeidsbord eller arbeidsunderlag. Dette kan ødelegge benken, slik at den ikke lenger er sikker i bruk. Et arbeidsbord skal brukes til dette formål.
- Dette produktet er designet for å kutte flate arbeidsstykker. Ikke kutt eller prøv å kutte arbeidsstykker. Ikke kutt eller prøv å kutte arbeidsstykker som ikke er flate.
- Dette produktet er kun designet for å kutte flate arbeidsstykker. Ikke kutt metall eller andre materialer som ikke er av tre.
- Det anbefales å bruke støtte til innmating og utmating, hvis en høvler lange arbeidsemner. Ellers kan arbeidsstykket få benken til å tippe over.

- Hold hendene vekke fra høvelstål og arbeidsområdet.
- Bruk en stokk til å bevege små arbeidsemner over kutteområdet.
- Rengjør høvelen etter bruk. Det anbefales å bruke en våt/tørr vac eller vakuumpust.
- Høvelbenkens arbeidsoverflate skal alltid være ren og støvfri, fri for biter og partikler som kan påvirke det du holder på å lage. Det anbefales å bruke en våt/tørr vakuumpust eller vakuumpust.
- Gjerdet som følger med høvelbenken har en støvsamler som en kan montere våt/tørr vakuumpust på
- Sjekk hvordan sikkerhetsvakuumpust fungerer før hvert bruk. Fjern all støv, biter eller andre fremmedpartikler som kan påvirke ytelsen.
- Advarsel! Stikk aldri fingrene under gjerdet når høvelen er koblet til eller når den roterer.
- Mat alltid arbeidsstykket mot roteringsregningen til høvelbitsen.
- Nothøvler er ekstremt skarpe, vær spesielt forsiktig når du bruker dem og håndterer dem.
- Kontroller at høvelbitsene som du bruker er skarpe eller er blitt riktig slipt. Dette vil muliggjøre hurtig, effektiv og sikker høvling.
- Noen høvler, (som f.eks. på en høvelbenk), vil falle ned eller ut hvis de settes opp ned hvis spennjernet løsnes for å tilpasse høyde. Det er derfor ekstremt viktig å støtte høvelen nedenfra når en gjør disse tilpasningene, eller når spennjernet løsnes.
- Se alltid under høvelbenken på bryterboksen når du slår høvelen AV eller PÅ. Ikke rør noe annet enn bryterboksen når du gjør dette. Ta kun under høvelbenken når den er slått på for å slå den AV.
- Advarsel! Før du begynner å skjære, må du forsikre deg om at høvelen er slått AV, at nothøvelbitsen ikke roterer, og ledningen er koblet fra hovednettet. Så må du forsikre deg om at det er god klarering mellom verneinnretningen over hodet og høvelbitsen og arbeidsstykket. Det anbefales å prøve, med høvelen slått AV og ikke roterende høvelbits.
- Advarsel! La aldri høvelbenken være ubevoktet mens høvelen går. Slå høvelen AV før du går fra høvelbenken.

Elektrisk sikkerhet



Kontroller alltid at strømtilførselen tilsvarende spenningen på skiltet.

Skifting av ledninger og plugg.

Kast gamle ledninger og plugg så snart de er blitt erstattet med nye. Det er farlig å sette enn stikkontakt fra en løs ledning i et veggstøpsel.

Bruk av forlengelsesledninger.

Bruk bare en godkjent forlengelsesledning som tilsvarer maskinens kraftbehov. Minimum leder størrelse er 1.5 mm². Ved bruk av kabelrull skal en rulle kabelen helt ut.

3. MONTERING

Montering av høvelbenken

Fig. 1 -13



Kontroller at alle delene er der før du monterer benken. Hvis det mangler deler, kontakt service adressen på garantikortet.

Gjør følgende for å montere høvelbenken:

- Legg benkeplaten (1, Fig.1) opp ned på et flatt underlag (Fig.2).
- Skru på ett bordben (2, Fig.1) bruk fire unbraco sekskantskruer. (M6X12) og muttere (M6), ikke stram dem helt enda (Fig.3).
- Gjenta som beskrevet over med de tre andre bordbeina, og se til at alle fire beina er på det same flate underlaget, stram så skruene.
- Etter at alle fire beina er skrudd godt til, snus benken, sjekk at det ikke bikker. Hvis det gjør det, må det rettes ved at en løsner skruene på gjeldende ben og retter opp.
- Sett inn to karosseriskruer (M5X50) i hullene markert "B" fra toppen av benken (Fig.4).
- Sett på gjerdet (9, Fig.1), bruk vedlagte unbraco sekskantskruer, underlagsskiver og knotter. Sett inn boltene fra undersiden av benken gjennom hullene markert "A" (Fig.5). Plasser gjerdet på boltene og sikre posisjonen med underlagsskiver og knotter.

NB: Bruk skalaen for å trekke sette opp gjerdet nøyaktig.

- Tilpass trykkputen (7, Fig. 1) på følgende måte:
 - Løsne alle skruer på anvisningen for gjerdestrykkpute (6, Fig. 1).
 - Sett inn to karosseriskruer (M6X25) i hullene på toppen av anvisningen for

gjerdestrykkpute (Fig. 6).

- *Sett føringen for gjerdestrykkputen på toppen av gjerdet, og legg hullene over de i gjerdet, sett så i to bolter (M6X25) i hullene og sikre de med muttere. (Fig. 7).*
- *Skyv de to front gjerdete til siden, for å ha nok plass for trykkputen, sett så gjerdepressputen oppå de to boltene, skru fast i denne posisjon med underlagsskiver og låseknøtter (Fig. 8 og Fig. 9).*
- Tilpass trykkputen (3, Fig. 1) på følgende måte:
 - *Løsne alle skruene på benkens trykkpute.*
 - *Løsne to skruer på lederen for benkens trykkpute (8, Fig. 1), og lag to hull på lederen for benketrykk over de to hullene på forsiden av bordet, sett i to skruer, og fest med muttere. (Fig. 10).*
 - *Sett i de to karosseriskruene (M6x25) i hullet på lederen for benketrykkputen, og sett trykkputen på de to boltene, teite det i posisjon med underlagsskiver og låseknøtter (Fig. 11 og Fig. 12).*
- Tilpass bryterboksen (5, Fig. 1) på følgende måte:
 - *Utlign to huller i bryterboksen med to huller på forsiden av benken.*
 - *Skru til i denne stillingen med to Philips hovedskruer som settes i fra forsiden av bordet og sikres med to muttere (Fig. 13).*

Montering av høvel.

Fig.14 - 16

Fest høvelen på benken på følgende måte:

- Løsne gjerdets sikkerhetsknøtter og skyv det så langt som mulig forover, dette forhindrer at høvelens karosseriskruer (M5X50) detter ut når det snus.
- Snu benken forsiktig og støtt det ved å legge det på passende treplanker eller lignende. Fig. 14
- Plasser høvelen i stilling på undersiden av bordet, mest mulig i midten. Sett inn to karosseriskruer i hullene markert "C" fra toppen av benken (Fig.4), nå nedenfra (fig.15)
- Sikre høvelen løst i stilling med 4 bolter (Fig. 16). Det kan være nødvendig å rotere høvelen for å få alle fire skruene riktig på plass. Hvis høvelen har hastighetskontroll, skal en prøve å sette hastighetskontrollen et sted hvor den

lett kan nås fra forsiden av benken. Når høvelen er i ønsket posisjon, fester en de fire boltene stramt nok til å forhindre at høvelen beveger seg når den er i drift.

- Plugg høvelpluggen inn i mottaket i bryterboksen.



Denne høvelbenken kan bare ha nothøvler med opp til 162mm diameter base plate.

- Din høvelbenk er nå ferdigmontert og klart til bruk.

4. BRUK



Når du gjør tilpasninger osv, må du se til at høvelen er koblet fra hovednettet ved å slå av og trekke ut stikkontakten fra støpselet.

NB: Se alltid etter i den spesielle brukerveiledningen for høvelbenken når du skal gjøre tilpasninger for høyde og hastighet. osv.

Installering av bits

For å installere bits når høvelen er på benken kreves det at høvelen senkes helt. Velg ønsket bit og installer. Fit the table insert closest to the size of the bit, ensure the bit does not touch the insert.

Høydetilpasning

Hev høvelen til bitsen går igjennom bordet i ønsket lengde. Test på trestykker for å sette det nøyaktig.

Gjerdetilpasning

Løsne de to klemmeknottene på gjerdet og sett gjerdet i ønsket stilling, bruk merker fra skalaen for å sette gjerdet parallelt. Test på trestykker for å sette det nøyaktig.

Trykkpute

Sett gjerdestrykkputen for å holde et trestykke flatt på bordet og mot gjerdet, mens du høvler. For å gjøre dette, plasserer du trestykket mot gjerdet, og under den relevante trykkputen for å innstille, løsne de to låseknottene og senk puten til den hviler på treet, skyv puten litt lengre ned for å gi nok press for å holde treet flat på benken. Tilpass fjærpanelet på samme måte for å holde trestykket fast mot gjerdet.

Sammenføyningsgjerde

Sett sammenføyningsgjerdet for å støtte trestykket når du skjærer hele tykkelsen Tilpass kuttedybden osv som tidligere beskrevet, fortsett å bearbeide trestykket til blykanten går over sammenføyningsgjerdet med ca 25mm. Slå av og koble fra hovednettet. Hold trestykket fast mot gjerdet, løsne sammenføyningsgjerdets klemmeknott, skyv sammenføyningsgjerdet ut mot trestykket til det berører dette, stram klemmeknotten. Ta arbeidsstykket vekk fra kniven før du slår på igjen og fortsetter å jobbe.



Som med alt elektroverktøy, spesielt de med kniver, må en holde hender og finger på trygg avstand fra blader, bruke pinner etc når en arbeider med arbeidsemner.

Støvfjerning

Fig. 17

Høvelbenken har en støvfjerningsinnretning, hvor en vakuumpjerner kan kobles til uttaket bak på bordet. Bruk vedlagte adapter. Tilkoblingsslangen trenger en innvendig diameter på 34mm for å passe til adapteren, slangen skal helst passe noenlunde stramt i adapteren, som bare skyves inn i hullet bak i bordet. Legg merke til at brukeren likevel må bruke maske for å unngå å puste inn støvpartikler.

5. VEDLIKEHOLD



Ved vedlikehold osv, må du se til at høvelen er koblet fra hovednettet ved å slå av og trekke ut stikkontakten fra støpselet.

Maskinen er laget for å kunne brukes lenge med lite vedlikehold. Maskinen må rengjøres jevnlig og tas godt vare på for å garantere et tilfredstillende resultat.

Rengjøring

Hold maskinens ventilasjonsluker rene for å unngå overoppheting. Rengjør maskinkassen regelmessig med en myk klut, helt etter hver bruk. Hold ventilasjonslukene fri for støv og smuss. Hvis skitten ikke lar seg fjerne, bruker du en myk, fuktet klut med såpevann. Ikke bruk løsemidler som bensin, alkohol, ammoniakkvann, etc. Disse kan skade plastikkdelene.

Smøring

Maskinen trenger ingen ekstra smøring.

Feil

Hvis det oppstår en feil, el. Etter at en del er blitt brukt, kontakt service adressen på garantikortet. Bak i brukerveiledningen finner du oversikt over deler som kan bestilles.

Miljø

For å forhindre skade ved transport, leveres apparatet godt emballert i stort sett gjenvinnbart materiale. Vennligst lever emballasjen til gjenvinning.

Garanti

Vennligst les garantivilkårene på vedlagte garantikort.

FRÆSEBORD

Tak, fordi De købte dette Ferm-produkt.

Ved at gøre det har De nu et fremragende produkt leveret af en af Europas førende distributører.

Alle produkter, der leveres af Ferm, er fremstillet i henhold til de højeste standarder for ydeevne og sikkerhed, og som en del af vores filosofi yder vi en enestående kundeservice, der ledsages af vores omfattende garanti.

Vi håber, De vil få stor fornøjelse med dette produkt i mange år fremover.

Numrene i den nedenstående tekst henviser til illustrationerne på side 2-3.



Læs denne brugsanvisning nøje igennem, før maskinen tages i brug. Gør dig fortrolig med funktionerne og betjeningen. Maskinen skal vedligeholdes i overensstemmelse med anvisninger, så maskinen altid fungerer problemfrit. Brugsanvisningen og dertilhørende dokumentation skal opbevares i nærheden af maskinen.

Indhold

1. Information om maskinen
2. Sikkerhedsinstruktioner
3. Montering
4. Betjening
5. Vedligeholdelse

1. INFORMATION OM MASKINEN

Tekniske specifikationer

Spænding	230 V~
Frekvens	50 Hz
Maksimal strømstyrke	10 A
IP klasse	IP 20
Bordstørrelse	455 x 330 mm
Maks. diameter, fræserbundplade	162 mm
Vægt	6 kg

Produktinformation

Fig. 1

1. Bordplade
2. Bordben
3. Bordtrykplade inklusive fittings
4. Bordindlæg

5. Kontaktboks
6. Styr til anlægstrykplade
7. Anlægstrykplade
8. Styr til bordtrykplade
9. Anlægsprofil
10. Plasticpose med skruer og fittings



Plasticposen er ikke legetøj! Undgå fare for kvælning. Hold denne pose væk fra babyer og børn. Må ikke bruges i krybber, senge, barnevogne eller kravlegårde. Bind knude på posen, før den bortskaffes

Emballagens indhold

1. Bordplade
4. Bordben
1. Bordtrykplade inklusive fittings (sæt)
1. Bordindsats (sæt)
1. Kontaktboks
1. Styr til anlægstrykplade (sæt)
1. Anlægstrykplade
1. Styr til bordtrykplade (sæt)
1. Anlægsprofil
4. Knapper
1. Plasticpose med skruer og fittings, se følgende for detaljer:
 - 4 Phillips-skruer, M6X20
 - 4 Sekskantskruer, M6X16
 - 1 Sekskantskrue, M6X25
 - 1 Sekskantskrue, M6X40
 - 16 Unbrakoskruer, M6X12
 - 4 Franske skruer, M5X50
 - 6 Møtrikker, M6
 - 4 Møtrikker, M5
 - 18 Fladskiver, Ø 6
 - 2 Store fladskiver, Ø 6
 - 16 Elastiske fladskiver, Ø 6
 - 2 Låseknapper
1. Brugermanual
1. Garantikort

2. SIKKERHEDSFORSKRIFTER

Forklaring af symbolerne



Betyder risiko for personskade, dødsfald eller beskadigelse af værktøjet, hvis instruktionerne i denne manual ikke overholdes.



Angiver fare for elektrisk stød.



Fare! Hold hænderne væk fra bevægende dele.



Bær høreværn.



Bær sikkerhedsbriller.



Bær støvmaske.

Yderligere sikkerhedsinstruktioner

Sikkerhed er en kombination af sund fornuft, konstant opmærksomhed og viden om, hvordan dit fræsebord fungerer. Læs denne manual for at forstå dette fræsebord.

- Bær altid øjenværn.
- Støjniveauer kan variere meget fra sted til sted. For at undgå risiko for høreskader, skal du bære ørepropper eller ørekopper, når du bruger dit fræsebord i længere tid ad gangen.
- Under støvede forhold skal du bære støvmaske og sikkerhedsbriller.
- Følg instruktionerne i brugermanualen til dit fræsebord.
- Advarsel! Vibrationer, som dannes af fræsebordet under brug, kan løsne fastgørelsesanordninger. Før brug og med jævne mellemrum under brug skal det kontrolleres, at alle fastgørelsesanordninger er stramme og sikre.
- Brug ikke dette produkt, før alle montage- og installationstrin er gennemført. Sørg for, at du har læst og forstået alle sikkerheds- og driftsinstruktioner i denne manual og i fræsebordets brugermanual.
- Sørg for, at fræsebittens korrekte anbragt og fastspændt i fræsebordet, før der fræses.
- Brug ikke fræsebordet som arbejdsbænk eller arbejdsflade. Hvis man gør det, kan den blive beskadiget og usikker at anvende. Der bør bruges en arbejdsbænk til sådanne formål.
- Dette produkt er konstrueret til skæring i flade arbejdsemner. Skær ikke eller forsøg ikke at skære i arbejdsemner, som ikke er flade.
- Dette produkt er kun konstrueret til skæring i flade arbejdsemner af træ. Brug den ikke til at skære i metal eller andre materialer, der ikke er af træ.
- Brug af ekstra støtteanordninger til ind- og udføring anbefales stærkt i forbindelse med fræsning af lange arbejdsemner. Ellers kan disse arbejdsemner få fræsebordet til at vælte.
- Hold hænderne fri af området omkring fræsebittene og arbejdsområdet i det hele taget.
- Fremstil og brug en skubbestok til at flytte små arbejdsemner hen over skæreoområdet.
- Rens fræsere efter brug. Brug af tør- eller vådstøvsugningsudstyr anbefales.
- Sørg altid for, at fræsebordets arbejdsflade er ren og fri for støv, spåner og fremmede partikler, som kan indvirke på den fræsning, du skal udføre. Brug af tør- eller vådstøvsugningsudstyr anbefales.
- Anlægsfladen, som leveres med fræsebordet har en støvopsamler, som kan tilsluttes våd- eller tørstøvsuger.
- Kontroller altid skjoldets funktion før brug. Fjern alt støv, spåner og andre fremmede partikler, som kan påvirke dets funktion.
- Advarsel! Hav aldrig fingre under dækskjoldet, når fræsere er tilsluttet strømforsyningen, eller når fræsebittens roterer.
- Før altid arbejdsemnet modsat rotationen af skæret eller fræsebittens.
- Fræsebittens er ekstremt skarpe, og man skal være særligt forsigtig ved håndtering og brug.
- Sørg for, at de brugte fræsebittens er skarpe, eller at de er blevet skærpet korrekt. Dette sikrer hurtig, effektiv og sikker fræsning.
- Visse fræsere kan, når de er monteret lodret (som på et fræsebord), falde ud af fræserchassiset, hvis bundklemmen løsnes for at justere fræsningshøjde eller -dybde. Derfor er det ekstremt vigtigt at støtte fræsere nedefra, når disse justeringer foretages, eller når bundklemmen løsnes.
- Se altid på fræserkontaktboksen under fræsebordet, når fræsere sættes på ON eller OFF. Rør ikke ved andet end kontaktboksen, når du gør dette. Ræk aldrig nogensinde ind under fræsebordet, når fræsebordet kører, med mindre det er for at sætte kontakten på OFF.
- Advarsel! Før du starter på skære, skal du være sikker på at fræsere står på OFF, at fræsebittens ikke roterer, og at elkablet ikke er tilsluttet strømforsyningen. Dernæst skal du være helt sikker på, at dækskjoldet er fri af fræsebittens og arbejdsemnet. En testgennemførelse, med fræsere på OFF og

uden at fræsebitten roterer, anbefales stærkt.

- **Advarsel!** Forlad aldrig fræsebordet uovervåget, når fræseren kører. Ligeegyldigt hvorfor, du forlader fræsebordet, skal du altid sætte fræseren på OFF først.

Elektrisk sikkerhed



Kontroller altid, at strømforsyningen svarer til spændingen på typeskiltet.

Udskiftning af kabler eller stik

Bortskaf øjeblikkeligt gamle kabler eller stik, når de er blevet udskiftet med nye. Det er farligt at sætte enden af et løst kabel ind i en stikkontakt.

Brug af forlænger kabler

Brug kun et godkendt forlænger kabel, som svarer til maskinens effektforbrug. Mindste ledertværsnit er 1,5 mm². Når der benyttes kabeltromle, skal kablet altid rulles helt ud.

3. MONTERING

Montering af fræsebordet

Fig. 1 - 13



Før montering af bordet skal du sikre dig, at du har alle dets dele. Ved mangler, skal du kontakte serviceadressen på garantikortet.

Du skal gøre følgende for at samle dit fræsebord:

- Læg bordpladen (1, Fig.1) med bunden i vejret på et fladt underlag (Fig.2).
- Påsæt et bordben (2, Fig.1) ved hjælp af fire sekskantskruer (M6X12) og møtrikker (M6), tilspænd ikke helt endnu (Fig.3).
- Gentag dette for de tre andre ben og sørg for, at de fire ben er på den samme flade overflade. Tilspænd derefter alle skrueerne.
- Så snart alle fire ben er forsvarligt tilspændt, vendes enheden om. Kontroller, at bordet ikke vipper. Hvis bordet på nogen måde vipper, skal der rettes op på dette ved at løsne skrueerne på det eller de ben, der er årsag til det, og benene skal justeres.
- Isæt to franske skrueer (M5X50) i hullerne mærket "B" fra oversiden af bordet (Fig.4).
- Påsæt anlægsfladen (9, Fig.1) med de medleverede sekskantskruer, skiver og

knapper. Isæt skrueerne fra undersiden af bordet gennem hullerne mærket "A" (Fig. 5). Anbring anlægsfladen på skrueerne og gør den fast med skiver og knapper.

Bemærk: Brug skalaerne med målestreger til at placere anlægsfladen præcist.

- Påsæt anlægstrykpladen (7, Fig. 1) på følgende måde:
 - *Løs alle fittings på styret til anlægstrykpladen (6, Fig. 1).*
 - *Isæt to franske skrueer (M6X25) i hullerne øverst på styret til anlægstrykpladen (Fig. 6).*
 - *Anbring styret til anlægstrykpladen øverst på anlægsfladen, få de to huller til at flugte med de to huller på anlægsfladen, og isæt så to skrueer (M6X25) i hullerne, og sæt på plads med møtrikker (Fig. 7).*
 - *Skub de to skrueer igennem anlægsfladen, så der er plads nok til anlægstrykplade, sæt anlægstrykpladen på de to skrueer og gør den fast i korrekt position med skive og låseknap (Fig. 8 og Fig. 9).*
- Påsæt bordtrykplade (3, Fig. 1) på følgende måde:
 - *Løs alle fittings på bordtrykpladen.*
 - *Løs to skrueer på styret til bordtrykpladen (8, Fig. 1) og få de to huller på styret til bordtrykpladen til at flugte med de to huller på bordets forreste sidevæg og sæt så to skrueer i hullerne, og sæt den på plads i korrekt position med møtrikker (Fig. 10).*
 - *Isæt to franske skrueer (M6X25) i hullerne på styret til bordtrykpladen, sæt bordtrykpladen på de to skrueer og sæt den på plads med skive og låseknap (Fig. 11 og Fig. 12)*
- Påsæt kontaktboksen (5, Fig. 1) på følgende måde:
 - *Få de to huller på kontaktboksen til at flugte med de to huller på bordets forreste sidevæg.*
 - *Sæt den på plads med to Phillips-skrueer, som isættes fra bordets forside, og påsæt to møtrikker (Fig. 13).*

Montering af fræseren

Fig.14 - 16

Sæt fræseren på fræsebordet på følgende måde:

- Løsn anlægsfladens sikkerhedsknapper og skub anlægsfladen så langt som muligt. Dette forhindrer fræsereens franske skruer (M5X50) i at falde ned gennem bordet, når det vendes om.
- Vend forsigtigt bordet på hovedet og støt det ved at lægge det på træklodser af passende størrelse eller tilsvarende genstande. (Fig. 14)
- Anbring fræseren i korrekt position på undersiden af bordet, så tæt på midten som muligt. Isæt to franske skruer i hullerne mærket "C" (Fig. 4) fra bordoverfladen, som nu vender nedad (Fig. 15)
- Sæt fræseren løst på plads med de 4 skruer (Fig. 16). Det kan være nødvendigt at dreje fræseren for at kunne anbringe alle 4 skruer korrekt. Hvis fræseren er udstyret med hastighedskontrol, bør man forsøge at anbringe hastighedskontrollen, så der er adgang til den fra bordets forside. Når fræseren sidder korrekt, strammes de 4 skruer tilstrækkeligt til at forhindre fræseren i at bevæge sig, når den kører.
- Sæt fræsereens stik i kontaktboksen.



Dette fræsebord kan kun udstyres med fræsere, hvis bundplade har en diameter på højst 162 mm.

- Dit fræsebord er nu færdigsamlet og klar til brug.

4. BETJENING



I forbindelse med justering osv., skal man altid sikre sig, at fræseren er isoleret fra strømforsyningen ved at slukke for den og fjerne stikket fra stikkontakten.

Bemærk: Brug altid betjeningsmanualen til den aktuelle fræser, når der skal foretages højde- og hastighedsjusteringer osv.

Montering af bits

Når der skal monteres bits i fræseren, når den er monteret i bordet, skal fræseren sænkes mest muligt. Vælg den ønskede bit og monter den. Tilpas bordindlægget, så det er tættest muligt på bittens størrelse, uden at bitten berører indlægget.

Højdejustering

Hæv fræseren indtil den ønskede længde af bitten stikker op gennem bordet. Lav testfræsninger på affaldstræstykker for at kunne indstille nøjagtigt.

Justering af anlægsfladen

Løsn anlægsfladens to klemmeknapper og anbring anlægsfladen som ønsket. Brug målestregerne til at holde anlægsfladen parallel. Lav testfræsninger på affaldstræstykker for at kunne indstille nøjagtigt.

Trykplade

Indstil anlægstrykpladen til at holde træstykket fladt mod bordet og mod anlægsfladen, når den bearbejdes. For at gøre dette, skal du anbringe træstykket mod anlægsfladen og pump den trykplade, der skal justeres, løsn de to låseknappe og sænk pladen, indtil den hviler på træet, skub pladen lidt længere ned for at yde et tilstrækkeligt tryk til at holde træet fladt ned mod bordet. Juster bordets fjederplade på samme måde for at holde træet fast ind mod anlægsfladen.

Samlingsflade

Indstil samlingsfladen til at støtte træet, når der skæres gennem den fulde tykkelse. Juster skæredybde osv. som tidligere beskrevet, fortsæt med at bearbejde træstykket, indtil den forreste ende har passeret forbi samlingsflade med ca. 25 mm. Sluk for fræseren og isoler den fra strømforsyningen. Hold træet fast ind mod anlægsfladen, løsn samlingsfladens klemmeknap, skub samlingsfladen ud mod træet, indtil den rører ved det, og spænd klemmeknappen. Skub arbejdsområdet tilbage fra fræseren, før der tændes igen og bearbejdningen fortsættes.



Som for alt motordrevet værktøj, og især værktøj med knive/klinger, skal hænder og fingre holdes i sikker afstand fra knive og klinger ved at benytte skubbestokke osv., når små arbejdsstykker bearbejdes.

Støvsugning

Fig. 17

Fræsebordet er udstyret med en støvsugningsanordning, hvor en støvsugerenhed kan tilsluttes udtaget bag på bordet ved hjælp af den medleverede adapter. Forbindelsesslangen skal have en indre diameter

på 34 mm for at passe til den medleverede adapter. Slangen skal helst sidde rimeligt stramt på adapterne, som derefter simpelthen skubbes ind i hullet bag på bordet. Bemærk dog at dette ikke udelukker, at brugere skal bære støvmaske for at forhindre inhalering af støvpartikler.

5. VEDLIGEHOLDELSE



Ved udførelse af vedligeholdelse osv. skal man altid sikre sig, at fræseren er isoleret fra strømforsyningen ved at slukke for den og fjerne stikket fra stikkontakten.

Maskinen er konstrueret til at arbejde i lang tid med et minimum af vedligeholdelse. Fortsat tilfredsstillende drift afhænger af passende pleje og regelmæssig rengøring af maskinen.

Rengøring

Hold maskinens ventilationsåbninger rene for at forhindre overophedning af maskinen. Rens maskinhuset regelmæssigt med en blød klud, helst efter hver gang, den har været brugt. Hold ventilationsåbninger fri for støv og snavs. Hvis snavset ikke går af, bruges en blød klud fugtet med sæbevand. Brug aldrig opløsningsmidler som benzin, alkohol, salmiakspiritus osv. Disse opløsningsmidler kan beskadige plasticdelene.

Smøring

Denne maskine kræver ikke yderligere smøring.

Fejl

Skulle der opstå en fejl, f.eks. efter at en del er blevet slidt, kontaktes serviceadressen på garantikortet. Bag i manualen er der en eksplosionstegning, som viser de dele, som kan bestilles.

Miljø

For at forebygge transportskader leveres udstyret i en solid emballage, som hovedsageligt består af genbrugeligt materiale. Benyt derfor mulighederne for genbrug af emballagen.

Garanti

Se det medleverede særskilte garantikort angående garantibetingelser.

ASZTALI MARÓ

Köszönjük, hogy a Ferm Vállalat termékét választotta.

Egy kiváló európai forgalmazó nagyszerű termékének birtokába jutott.

A Ferm által forgalmazott összes termék a legszigorúbb teljesítményeknek megfelelő biztonsági szabvány szerint készül. Üzleti filozófiánk része alapul szolgáló teljes körű minőségi ügyfélszolgálat.

Reméljük, hogy termékünket hosszú éveken át nagy megalégedettséggel fogja használni.

A szövegben levő számok a 2-6. oldalakon levő ábrákra vonatkoznak.



Akészülék használatba vétele előtt figyelmesen olvassa el a használati utasítást. Ismerkedjen meg a készülék funkcióival és a készülék kezelésével. Akészülék akkor fog megfelelően működni, ha azt a használati utasítás előírásai szerint használja. Ahasználati utasítást és az egyéb dokumentációkat a készülékkel együtt tárolja.

Tartalom

1. Információ a gépről
2. Biztonsági utasítások
3. Összeszerelés
4. Használat
5. Karbantartás

1. INFORMÁCIÓK A GÉPRŐL

Miszaki adatok

Tápfeszültség	230 V
Frekvencia	50 Hz
Maximális áram	10 A
IP burkolatosztály	IP 20
Az asztal nagysága	455 x 330 mm
Legnagyobb marógép alapátmérő	162 mm
Súly	6 kg

A gép leírása

1. ábra.

1. Asztallap
2. Asztalláb
3. Oldalsó vezetőlap, kötőelemekkel együtt

4. Asztalbetét
5. Kapcsolószekrény
6. Vezetőlap rögzítő
7. Felső vezetőlap
8. Felső vezetőlap rögzítő
9. Párhuzamvezető profil
10. Mianyag zacskó, kötőelemekkel együtt



A mianyag zacskó nem játék! A fulladásos balesetek elkerülése érdekében a zacskót gyerekektől elzárt helyen tárolja. A zacskót játéokra használni, vagy gyerekágyba, gyerekocsiba tenni tilos! A zacskót kidobás előtt kösse össze.

A csomagolás tartalma

- 1 Asztallap
- 4 Asztalláb
- 1 Oldalsó vezetőlap, kötőelemekkel együtt (készlet)
- 1 Asztalbetét (készlet)
- 1 Kapcsolószekrény
- 1 Vezetőlap ütköző (készlet)
- 1 Felső vezetőlap
- 1 Vezetőlap ütköző (készlet)
- 1 Párhuzamvezető profil
- 4 Gomb
- 1 Mianyag zacskó, kötőelemekkel együtt (a következő tartalommal):
 - 4 M6 x 20 keresztornyó csavar
 - 4 M6 x 16 hatlapfeji csavar
 - 1 M6 x 25 hatlapfeji csavar
 - 1 M6 x 40 hatlapfeji csavar
 - 16 M6 x 12 imbuszcsavar
 - 4 M5 x 50 négyzögfeji kapucsavar
 - 6 M6 anya
 - 4 M5 anya
 - 18 Ø 6 sima alátét
 - 2 Ø 6 nagy sima alátét
 - 16 Ø 6 rugós alátét
 - 2 Biztosító gomb
- 1 Használati utasítás
- 1 Garancialevél

2. BIZTONSÁGI UTASÍTÁSOK

A szimbólumok jelentése



Balesetveszélyt, életveszélyt, vagy a készülék sérülésének kockázatát jelzi (a használati utasítás előírásainak be nem tartása esetén).



Áramütés veszélyére figyelmeztet.



Veszély! A kezét tartsa kellő távolságra a mozgó alkatrészekről.



Munka közben használjon fülvédőt!



Munka közben használjon védőszemüveget!



Munka közben használjon pormaszkot!

Egyéb biztonsági utasítások

A biztonság a figyelmes munka, a hozzáértés, valamint a marógép megfelelő ismeretének kombinációja. A marógép megismeréséhez figyelmesen olvassa el a használati utasítást.

- A védőszemüveget mindig használja.
- A zajszint a munka jellegétől, valamint a munkahelytől függ. A halláskárosodás megelőzése érdekében a marógép használata közben használjon fül dugót, vagy más fülvédőt.
- Amikor munka közben por is keletkezik, akkor a védőszemüveg mellett használja a pormaszkot is.
- Tartsa be a marógépre vonatkozó használati utasításokat.
- Figyelmeztetés! A marógép működése közben keletkező rezgések kilázíthatják a munkadarabot rögzítő elemeket. A megmunkálás megkezdése előtt, valamint munka közben folyamatosan ellenőrizze le, hogy a rögzítőelemek nem lazultak-e ki.
- A gépet a teljes összeszerelés előtt, valamint hiányzó tartozékokkal ne üzemeltesse. Gondoskodjék arról, hogy a gép használói elolvassák, megértsék és betartsák a használati utasítást, valamint a biztonsági előírásokat.
- A marási munkák megkezdése előtt ellenőrizze le, hogy a marószerszám megfelelően be van-e fogva.
- A maróasztalt munkaasztalként, és támaszként ne használja. A rendeltetéstől eltérő használat során az asztal megsérülhet, és a marási munka veszélyessé válhat. A gépet gyalulásra ne használja.

- Ezzel a géppel egyenes deszkalapokat lehet marni. A gépen egyenetlen munkadarabokat megmunkálni nem lehet.
- Ezzel a géppel fa deszkalapokat lehet megmunkálni. A marógépet fém, vagy nem fa anyagok megmunkálására ne használja.
- Amikor hosszú darabokat munkál meg, akkor használjon a be- és kimeneten asztaltoldaléket, vagy más támaszt. A hosszú munkadarabok megtámasztás nélkül a gép felborulását okozhatják.
- A kezét tartsa kellő távolságra a megmunkálás helyétől, valamint a forgó szerszámtól.
- A kis munkadarabok előtolásához használjon léceket.
- Használat után a gépet tisztítsa meg. A gépet porszívóval tisztítsa meg, illetve munka közben ahhoz csatlakoztasson elszívót.
- A munkaasztalt és a munkadarabot a marás megkezdése előtt tisztítsa meg (távolítsa el a port, a forgácsot stb.). A gépet porszívóval tisztítsa meg, illetve munka közben ahhoz csatlakoztasson elszívót.
- A gép tartozékaként adott párhuzamvezető porgyjítővel is el van látva, ehhez porszívó (vagy porszívó) is csatlakoztatható.
- A gép használatba vétele előtt ellenőrizze le az ütközők és megvezetők megfelelő működését. Távolítsa el a port, és a forgácsot, amely akadályozná a megfelelő munkát.
- Figyelmeztetés! A felső védőburkolat alá ne dugja be az ujját, ha a gép áram alatt van, vagy a marószerszám forgog.
- A munkadarabot mindig a marószerszám forgásirányával ellentétes irányból nyomja.
- A marószerszámok élesek, ezért azokat óvatosan, lehetőleg védőkesztyűben fogja meg.
- A munkához csak élezett és sérülésmentes marószerszámokat használjon. Ezek biztosítják a biztonságos és gyors marási munkavégzést.
- A marófej kicsúszhat, amikor a marógépen a fogásmélység állításához meglazítja a bilincset. Beállításkor, vagy bármikor, amikor a bilincset meglazítja, a marót támassza alulról alá.
- Amikor a marógépet be- vagy kikapcsolja, akkor mindig nézze is kapcsolószekrényt az asztal alatt. Ilyenkor semmi mást ne fogjon meg, a kapcsoló kivételével. Amikor a marógép üzemel, akkor az asztal alá nyúlni,

csak a gép kikapcsolása miatt szabad.

- Figyelmeztetés! A marási munkák beállítása előtt a marógépet állítsa le, és várja meg, míg a gép teljesen leáll. A felső védőburkolatot állítsa megfelelő távolságra a munkadarabtól és a marószerszámtól. A gép elindítása előtt próbálja ki az előtolás megfelelőségét.
- Figyelmeztetés! A bekapcsolt és áram alá helyezett, vagy forgó gépet ne hagyja felügyelet nélkül. Amikor eltávolodik a marógéptől, akkor azt kapcsolja le.

Elektromos biztonság



A gépet csak a gépcímkén feltüntetett feszültségi hálózathoz csatlakoztassa.

Hálózati vezeték és csatlakozódugó cseréje

A sérült vezetéket és csatlakozódugót dobja ki, és eredeti vezetékkel és dugóval helyettesítse. A csupasz vezetékeket a konnektorba dugni tilos.

Hosszabbító vezeték használata

Csak a gép teljesítményének megfelelő hosszabbítót használjon. A vezeték minimális keresztmetszete 1,5 mm² legyen. Kábeldob használata esetén a dobról az egész kábelt tekerje le.

3. ÖSSZESZERELÉS

A marógép asztalának összeszerelése 1-13. ábra.



Az asztal összeszerelése előtt ellenőrizze le, hogy megvan-e minden szükséges alkatrész. Amennyiben valamilyen hiányosságot észlel, akkor forduljon a garancialevélben található márkaszervízhez segítségért.

A marógép asztalát a következő módon állítsa össze:

- Helyezze az asztallábat (1. tétel, 1. ábra) fejjel lefelé egyenes helyre (2. ábra).
- Az asztallábat (2. tétel, 1. ábra) négy darab belső kulcsnyílású csavar (M6 x 12) és anya (M6) segítségével erősítse az asztalaphoz, de a csavarokat és anyákat még ne húzza meg.
- Ezt a lépést ismételje meg a további 3 láb

esetében is, majd ellenőrizze le, hogy a lábak egy síkban vannak-e. Majd a csavarokat húzza meg.

- A négy láb felerősítése után fordítsa meg az asztalt, és próbálja ki, hogy az nem billeg-e. Amennyiben igen, akkor a további munkák előtt lazítsa meg a levegőben lévő láb csavarjait és állítsa be a lábat.
- Felülről dugjon be a „B” jeli furatokba (4. ábra) egy-egy kapucsavart (M5 x 50).
- Hatlapfeji csavar, alátét, és gomb segítségével erősítse fel a párhuzamvezetőt (9. tétel, 1. ábra). A csavarokat alulról, az „A” furaton keresztül dugja be (5. ábra). A megvezetést tegye a csavarokra, és a helyzetét alátéttel és gombbal rögzítse le.

Megjegyzés: A megvezetés pontos beállításához használjon derékszöget.

- A felső vezetőlapot (7. tétel, 1. ábra) a következő módon szerelje fel:
 - Vegye le a csavarokat a vezetőlap rögzítőről (6. tétel, 1. ábra), a felszereléséhez.
 - Dugjon be a vezetőlap rögzítő felső furataiba egy-egy kapucsavart (M6 x 25) lásd a 6. ábrát.
 - A vezetőlap rögzítőt helyezze a párhuzamvezető felső részére, illessze a furatokat egymáshoz, majd két csavar (M6 x 25) és anya segítségével rögzítse a vezetőlap rögzítőt a párhuzamvezetőre (7. ábra).
 - Helyezze a vezetőlapot a kapucsavarokra, majd állítsa be a vezetőlap magasságát, és két rögzítógomb segítségével rögzítse a vezetőlapot (8. és 9. ábra).
- Az oldalsó vezetőlapot (3. tétel, 1. ábra) a következő módon szerelje fel:
 - Lazítson meg minden kötőelemet a rögzítőn.
 - Az oldalsó vezetőlap rögzítőt (8. tétel, 1. ábra) helyezze az asztal szélére, illessze egymáshoz a furatokat, és két keresztornyú csavarral, valamint anyával rögzítse azt az asztalhoz.
 - Dugjon be a vezetőlap rögzítő felső furataiba egy-egy kapucsavart (M6 x 25), és helyezze rá az oldalsó vezetőlapot. A vezetőlap helyzetét alátétek és

rögzítógombok segítségével biztosítsa le (11. és 12. ábra).

- A kapcsolószekrényt (5. tétel, 1. ábra) a következő módon szerelje fel:
 - A kapcsolószekrényen található két furatot illessze az asztal mellső oldalfalán található furatokhoz.
 - A furatokba dugjon be egy-egy keresztornyú csavart (előlről), és rögzítse azokat anyával (13. ábra).

A marógép felszerelése 14-16. ábra

A marógépet a következő módon erősítse az asztalhoz:

- Lazítsa meg a párhuzamvezetőt rögzítő gombokat, és húzza minél előbbre; ez megakadályozza, hogy kiessenek a kapucsavarok (M5 x 50) az asztalból, amikor azt fejre állítja.
- Óvatosan fordítsa át az asztalt, és helyezze annak végeit fakockákra, vagy dobozra (14. ábra).
- A marógépet a lehető legpontosabban helyezze alulról az asztalra. A „C” jeli furatokba (4. ábra) az asztal felső feléről dugjon be egy-egy kapucsavart (15. ábra).
- A marógépet rögzítse a négy kapucsavar segítségével (16. ábra). Ha szükséges, akkor a marógépet fordítsa el, hogy a mindegyik csavar megfelelően felüljön. Amennyiben az Ön marógépén fordulatszám váltó kapcsoló is található, akkor a gépet úgy erősítse fel, hogy ez a kapcsoló könnyen elérhető legyen. A marógép megfelelő helyzetbe állítása után húzza meg a csavarokat, hogy a marógép ne mozdulhasson el.
- A marógép hálózati csatlakozódugóját dugja be a kapcsolószekrény konnektorába.



Éz az asztali maró csak a 162 mm-es átmérőnél kisebb alapátmérővel rendelkező gépekhez használható.

- Az Ön marógépe ezzel használata kész.

4. ÜZEMELTETÉS



Beállításakor, karbantartáskor stb. a marógépet a csatlakozódugó kihúzásával áramtalanítani kell.

Megjegyzés: Marási mélység, sebesség stb. beállítását a konkrét marógép használati utasítás szerint végezze el.

Marószerszámok behelyezése

- A marószerszámok behelyezésekor a marógépet teljesen engedje le. Válasszon marószerszámot, és fogja be a gépbe. Az asztalba helyezze bele azt a betétet, amely a legközelebb van átmérőben a szerszámhoz (de a betét nem érhet hozzá a szerszámhoz).

A marási mélység beállítása

A marógépet úgy állítsa be, hogy a marószerszám a marásmélység mértékének megfelelően álljon ki az asztal síkjából. Egy deszkadarabon próbálja ki a marásmélységet, és szükség szerint állítson utána.

Párhuzamvezető beállítása

Lazítsa meg a két rögzítógombot, és állítsa be a munkadarabnak megfelelően a párhuzamvezetőt. A párhuzamosság beállításához használja a távolsági jeleket. Egy deszkadarabon készítsen próbamarást, és szükség szerint állítson utána.

Felső vezetőlap beállítása

A felső vezetőlappal lehet a munkadarabot az asztalon tartani és megvezetni a marás helyén. A munkadarabot helyezze a vezetőlap alá, lazítsa meg a két rögzítógombot, majd a vezetőlapot helyezze a munkadarabra. Majd a rögzítógombokat húzza meg. A munkadarab vastagságának megváltozása esetén a vezetőlapot ismét be kell állítani.

Oldalsó vezetőlap beállítása

Az oldalsó vezetőlap oldalról támasztja és vezeti meg a munkadarabot megmunkálás közben. Előbb állítsa be a marásmélységet, majd a munkadarabot tolja a marógépbe annyira, hogy az 25 mm mélyen bemunkálja azt. Kapcsolja le a gépet. Tartsa a munkadarabot a párhuzamvezető mellett, lazítsa meg a rögzítógombokat az oldalsó vezetőlapon, és nyomja neki a munkadarab oldalának, majd húzza meg a rögzítógombot. Mielőtt bekapcsolná a marógépet, húzza ki a munkadarabot a gépből.



Amikor kis méretű munkadarabot munkál meg, a munkadarab előtöléséhez használjon léceket, és ne kézzel fogja meg a munkadarabot.

A por elszívása

17. ábra.

Az asztali marógép rendelkezik poreszívóval is. Az asztalon található kivezetéshez elszívó adaptert lehet szerelni. Az elszívó tömlő belső átmérője 34 mm-es legyen, hogy azt csatlakoztatni lehessen az adapterhez. Ideális esetben a csatlakoztatás után megfelelően rögzül az adapteren az elszívó cső. Ne felejtse el, hogy az elszívó alkalmazása nem jelenti azt, hogy nem kell pormaszkot használni munka közben.

5. KARBANTARTÁS



Beállításkor, karbantartáskor stb. a marógépet a csatlakozódugó kihúzásával áramtalanítani kell.

A gép a használat folyamán csak minimális karbantartást igényel. A gép megfelelő működéséhez azt időnként meg kell tisztítani.

Tisztítás

A gép szellőzőnyílásait tartsa tisztán, hogy biztosítva legyen a motor megfelelő hűtése. A gépet minden használat után puha ruhával törölje tisztára. A szellőzőnyílásokat tisztítsa meg a porlerakódásoktól, és más szennyeződésektől. Amennyiben a szennyeződések nem tudja eltávolítani, a ruhát enyhén nedvesítse be. A tisztításhoz oldószereket, benzint, ammóniás vizet stb. használni tilos, mert az károsítja a mianyagokat.

Kenés

A gép nem igényel semmiféle kenést.

Meghibásodások

Amennyiben a gép meghibásodik, akkor forduljon a garancialevélen található márkaszervizhez segítségért. A használati utasítás hátlapján egy robbantott ábrát talál azokról az alkatrészekről, amelyeket meg lehet rendelni a javításhoz.

Csomagoló eszköz

A gép sérülésének elkerülése érdekében a készüléket merev, újrafeldolgozható anyagokból készült csomagolóanyagba csomagoltuk be. A csomagolóanyagot adja le újrafeldolgozásra.

Garancia

A garanciával kapcsolatban lásd az önálló garancialevelet.

STOLOVÁ FRÉZA

Děkujeme vám za zakoupení tohoto produktu společnosti Ferm.

Získali jste výborný produkt od předního evropského distributora.

Všechny produkty dodávané společností Ferm se vyrábějí podle nejprísnějších výkonnostních a bezpečnostních norem. Součástí naší obchodní filozofie je poskytování kvalitního zákaznického servisu na základě komplexní záruky.

Věříme, že vám tento produkt bude k plné spokojenosti sloužit řadu let.

Číslo v textu se odvolává na diagramy na strani 2



Pro vaši vlastní bezpečnost a pro bezpečnost ostatních vám doporučujeme, aby jste si před použitím pily pozorně přečetli tento návod k použití. Tento návod k použití a dokumentaci k pile si odložte pro pozdější použití.

Obsah

1. Informace o stroji
2. Bezpečnostní pokyny
3. Montáž příslušenství
4. Provoz
5. Servis a údržba

1. INFORMACE O STROJI

Technické údaje

Napětí	230 V
Frekvence	50 Hz
Velikost hlavního stolu	455 x 330 mm
Velikost nástavce stolu	855 x 330 mm
Max. průměr základní desky frézy	162 mm
Hmotnost	6 kg

1. Vršek stolu
2. Noha stolu
3. Přítlačná deska stolu včetně kování
4. Vložka stolu
5. Spínací skříňka
6. Vodítko přítlačné desky ohrazení
7. Přítlačná deska ohrazení
8. Vodítko přítlačné desky stolu

9. Profil ohrazení
10. Plastový sáček se šrouby a kováním

Informace o výrobku

Obr. 1

1. Vršek stolu
2. Noha stolu
3. Přítlačná deska stolu včetně kování
4. Vložka stolu
5. Spínací skříňka
6. Vodítko přítlačné desky ohrazení
7. Přítlačná deska ohrazení
8. Vodítko přítlačné desky stolu
9. Profil ohrazení
10. Plastový sáček se šrouby a kováním



Plastový sáček není hračka! Zamezte nebezpečí udušení, uchovávejte tento sáček mimo dosah malých dětí. Nepoužívejte jej v dětských ohrádkách, postýlkách, kočárcích nebo na hraní. Sáček před vyhozením zauzlujte.

- 1 Vršek stolu
- 4 Nohy stolu
- 1 Přítlačná deska stolu včetně kování (sada)
- 1 Vložka stolu (sada)
- 1 Spínací skříňka
- 1 Vodítko přítlačné desky ohrazení (sada)
- 1 Přítlačná deska ohrazení
- 1 Vodítko přítlačné desky ohrazení (sada)
- 1 Profil ohrazení
- 4 Knoflíky
- 1 Plastový sáček se šrouby a kováním; podrobnosti viz následující:
 - 4 Šroub s křížovou hlavou M6X20
 - 4 Šrouby se šestihrannou hlavou M6X16
 - 1 Šrouby se šestihrannou hlavou M6X25
 - 1 Šrouby se šestihrannou hlavou M6X40
 - 16 Imbusové šrouby M6X12
 - 4 Šrouby (vratové) se čtyřhranem M5X50
 - 6 Matice M6
 - 4 Matice M5
 - 18 Ploché podložky Ø 6
 - 2 Velké ploché podložky Ø 6
 - 16 Pružné podložky Ø 6
 - 2 Pojistné knoflíky
- 1 Uživatelský návod
- 1 Záruční list

2. BEZPEČNOSTNÍ POKYNY

Vysvětlení symbolů



Označuje nebezpečí zranění osob, ztrátu života nebo škody na nářadí v případě nedodržení pokynů v tomto návodu.



Označuje nebezpečí zranění elektrickým proudem.



Nebezpečí! Udržujte ruce v dostatečné vzdálenosti od pohybujících se částí.



Používejte ochranu sluchu.



Používejte ochranné brýle.



Používejte prachovou masku.

Další bezpečnostní pokyny

Bezpečnost je kombinace zdravého rozumu, trvalé bdělosti a znalosti jak stolová fréza pracuje. Přečtěte si tento návod, abyste této fréze porozuměli.

- Vždy používejte ochranu zraku.
- Hladina hluku se mění podle místa. K zamezení možného poškození sluchu používejte chrániče uší nebo zátky do uší, pokud frézu používáte po delší dobu.
- Při práci, kdy se tvoří prach, používejte spolu s ochrannými brýlemi i prachovou masku.
- Držte se pokynů v návodu pro uživatele frézy.
- Upozornění! Vibrace, způsobené chodem frézy, mohou způsobit uvolnění upínek. Před použitím a dále pravidelně kontrolujte veškeré přípevňovací prvky, zda jsou utažené a zajištěné.
- Nepoužívejte tento výrobek, dokud nejsou dokončeny kroky sestavení a instalace. Zajistěte, abyste si přečetli a pochopili všechny bezpečnostní a provozní pokyny v tomto návodu a v návodu uživatele frézy.
- Před prováděním jakéhokoli řezu zkontrolujte, zda nástavec frézy jeve správné poloze a správně uchyten ve fréze.
- Nepoužívejte stůl frézy jako ponk nebo pracovní povrch. Mohl by se při tom poškodit a způsobit, že by používání frézy nebylo bezpečné. Pro jinou práci používejte ponk..
- Tento výrobek je navržen pro frézování rovných plochých kusů. Nepracovávejte obrobky, které nejsou rovné, ani se o to nepokoušejte.
- Tento výrobek je navržen jen pro opracovávání dřevěných obrobků. Nepoužívejte nástroj na kovové nebo jiné ne dřevěné materiály.
- Používání podpěr na přísun nebo odsun se velmi doporučuje, když se opracovávají dlouhé obrobky. Takové obrobky jinak mohou způsobit převrácení stolu frézy.
- Udržujte ruce v dostatečné vzdálenosti od nástavce frézy a pracovního prostoru.
- K postrkování malých obrobků přes obráběcí prostor používejte tyčky.
- Po použití frézu očistěte. Doporučuje se použití mokrého či suchého vysavače nebo odsávacího zařízení.
- Vždy zkontrolujte, zda pracovní plocha stolu frézy je čistá a bez prachu, třísek a cizích částic, které mohou zasahovat do řezu, který chcete provést. Doporučuje se použití mokrého či suchého vysavače nebo odsávacího zařízení.
- Ohrazení, které přichází se stolem frézy, má sběrač prachu, ke kterému lze připojit mokry či suchý vysavač.
- Před každým použitím zkontrolujte funkci zábrany. Odstraňte všechen prach, třísky a jakékoli cizí částice, které mohou ovlivnit její funkci.
- Upozornění! Nikdy nedávejte prsty pod horní ochranu, když fréza je zapojena do zásuvky nebo když se nástavec otáčí.
- Obrobek posuňte vždy proti směru otáčení frézovacího nástavce.
- Nástavce frézy jsou velmi ostré, tak při manipulaci s nimi a při jejich používání dbejte zvláštní pozornosti.
- Zkontrolujte, zda používané nástavce frézy jsou ostré nebo správně naostřené. Umožní to rychlé, účinné a bezpečné frézování.
- Některé frézy, když jsou v poloze vzhůru nohama (např. na stole frézy), spadnou nebo vypadnou z podstavce frézy, když se objímka podstavce povolí pro nastavení výšky nebo hloubky řezu. Je velmi důležité při těchto seřizováních, nebo kdykoli se objímka

- podstavce povoluje, frézu zespoda podepřít.
- Při zapínání nebo vypínání frézy se vždy podívejte pod stůl frézy, na spínací skříňku. Nedotýkejte se přítom ničeho jiného, než spínací skříňky. Když fréza běží, nikdy nesahejte pod stůl frézy z jiného důvodu, než kvůli jejímu vypnutí.
- Upozornění! Před prováděním jakéhokoli řezu zkontrolujte, zda fréza je vypnutá, nástavec frézy se neotáčí a přívodní šňůra je vytažená ze zásuvky. Pak se bezpečně přesvědčte, zda horní kryt je v bezpečné vzdálenosti od nástavce frézy a od obrobku. Doporučuje se provedení zkušebního posunu s frérou vypnutou a nástavcem v klidu.
- Upozornění! Nikdy nenechávejte stůl frézy bez dozoru, když fréza běží. Před opuštěním stolu frézy z jakéhokoli důvodu frézu vypněte.

Elektrická bezpečnost



Vždy zkontrolujte, zda napájení odpovídá napětí na typovém štítku.

Výměna kabelá nebo vidlic

Ihned vyhoďte staré kabely nebo vidlice, které byly nahrazeny novými. Je nebezpečné zasunovat vidlici volného kabelu do zásuvky.

Používání prodlužovacích kabelá

Používejte jen schválený prodlužovací kabel, vhodný pro příkon stroje. Minimální průřez vodičů je 1,5 mm². Při použití kabelové cívky cívku zcela rozviňte.

3. SESTAVENÍ

Sestavení stolu frézy

Obr. 1 - 13



Před sestavováním stolu zkontrolujte, zda jsou k dispozici všechny součásti. V případě že něco chybí, spojte se se servisním střediskem, jehož adresu máte na záručním listu.

Při sestavování stolu frézy postupujte takto:

- Položte vršek stolu (1, obr. 1) vzhůru nohama na rovnou plochu (obr. 2).
- Přimontujte nohu stolu (2, obr. 1) pomocí čtyř šroubů se šestihrannou hlavou (M6X12) a

- matic (M6), ale ještě nic neutahujte (obr. 3).
- Zopakujte výše uvedené pro ostatní tři nohy a zkontrolujte, zda nohy jsou v rovině. Pak utáhněte všechny šrouby.
- Po připevnění všech čtyř noh sestavu obraťte a zkontrolujte, zda se stůl nekolébá. Jestliže ano, musí se to před dalším pokračováním napravit povolením šroubů na dotyčných nohách a potřebným seřízením.
- Vložte dva vratové šrouby (M5X50) shora stolu do otvorů označených "B" (obr. 4).
- Pomocí šroubů se šestihrannou hlavou, podložek a knoflíků připevněte ohrazení (9, obr. 1). Šrouby vložte zespoda stolu skrz otvory označené "A" (obr. 5). Ohrazení nasaďte na šrouby a zajistěte jeho polohu podložkami a knoflíky.

POZN.: K přesnému zarovnání ohrazení použijte úhломěr.

- Nasaďte přítlačnou desku (7, obr. 1), a to následujícím způsobem:
 - Povolte veškeré kování na vodítku pro přítlačnou desku ohrazení (6, obr. 1).
 - Vložte dva vratové šrouby (M6X25) do otvoru na vrchu vodítka pro přítlačnou desku ohrazení (obr. 6).
 - Nasaďte vodítko pro přítlačnou desku ohrazení na vršku ohrazení a srovnejte dva otvory se dvěma otvory na ohrazení, pak vložte dva šrouby (M6X25) do otvorů a polohu zajistěte maticemi (obr. 7).
 - Posuňte dvě přední ohrazení, abyste měli dost prostoru pro přítlačnou desku ohrazení, pak nasaďte přítlačnou desku ohrazení na dva šrouby a polohu zajistěte podložkami a zajišťovacími knoflíky (obr. 8 a obr. 9).
- Nasaďte přítočnou desku stolu (3, obr. 1), a to takto:
 - Povolte vše na přítlačné desce stolu.
 - Povolte dva šrouby na vodítku pro přítlačnou desku stolu (8, obr. 1) a srovnejte dva otvory na vodítku pro přítlačnou desku stolu se dvěma otvory na přední boční stěně na stole, pak vložte do otvorů dva šrouby a polohu zajistěte maticí (obr. 10).
 - Vložte dva vratové šrouby (M6X25) do otvorů na vodítku pro přítlačnou desku stolu a na ně nasaďte přítlačnou desku stolu. Polohu zajistěte podložkami a pojistnými knoflíky (obr. 11 a obr. 12).

- Nasaďte spínací skříňku (5, obr. 1), a to takto:
 - *Srovnejte dva otvory na spínací skříňce s otvory na přední boční stěně stolu.*
 - *Vložte do otvorů dva křížové šrouby, a to zpredu stolu a zajistěte je dvěma maticemi (obr. 13).*

Montáž frézy

Obr.14 - 16

Připojte frézu ke stolu následujícím způsobem:

- Povolte knoflíky, držící ohrazení a to posuňte co nejdále dopředu; zamezí to vratovým šroubům frézy (M5X50) vypadnout ze stolu, když se stůl obrátí.
- Opatrně stůl obraťte a položte jej na vhodně velké špalky nebo podobné podpěry (obr. 14)
- Nasaďte frézu zespoda stolu co nejpřesněji do středu. Do otvorů označených "C" vložte shora stolu dva vratové šrouby (obr. 4), nyní zespodu (obr. 15).
- Volně frézu zajistěte čtyřmi šrouby (obr. 16). Může být přitom zapotřebí frézou pootočit, aby se všechny čtyři šrouby správně usadily. Je-li fréza vybavena řízením rychlosti, zkontrolujte, je-li možné osadit řízení rychlosti tam, kde bude snadno přístupné zpredu stolu. Po usazení frézy do požadované polohy utáhněte dostatečně čtyři šrouby, aby se zamezilo pohybu frézy při provozu.
- Zasuňte vidlici frézy do zásuvky spínací skříňky.



Tato stolová fréza je jen pro frézy do průměru základní desky 162 mm.

- Vaše stolová fréza je nyní zcela sestavena a připravena k použití.

4. PROVOZ



Při seřizování apod. vždy zajistěte, aby fréza byla oddělena od elektrického napájení vypnutím a vytažením vidlice ze zásuvky.

POZN.: Při seřizování výšky, nastavování rychlosti apod. se vždy držte konkrétních pokynů v návodu ke fréze.

Osazování pracovních nástavců

K osazení pracovních nástavců, když fréza je

na stole, bude třeba frézu zcela spustit. Vyberte požadovaný nástavec a nasaďte jej. Nasaďte vložku stolu co nejbližší velikosti nástavce a tak, aby se nástavec nedotýkal vložky.

Seřízení výšky

Zejeďte frézu, až nástavec vyčnívá nad stůl v požadované výšce. Na odřezku dřeva proveďte zkušební řez pro přesnému seřízení.

Seřízení ohrazení

Povolte dva knoflíky, přidržující ohrazení a to upravte jak je potřeba. K rovnoběžnému seřízení ohrazení použijte značky vzdálenosti. Na odřezku dřeva proveďte zkušební řez pro přesnému seřízení.

Přítlačná deska

Nastavte přítlačnou desku ohrazení tak, aby při obrábění přidržovala kus dřeva na stole naplocho a proti ohrazení. K tomu položte kus dřeva proti ohrazení a pod příslušnou desku, která se má nastavit, povolte dva pojistné knoflíky a desku spusťte, až spočívá na dřevu. Pak desku ještě přítlačte dolů, aby vyvážela na dřevo přítlak vůči stolu. Nastavte desku stolu stejným způsobem, aby dřevo přidržovala pevně proti ohrazení.

Připojné ohrazení

Nastavte připojné ohrazení k podpírání dřeva při řezání celé tloušťky. Nastavte hloubku řezu atd., jak popsáno výše a posouvajte kus dřeva ve stroji, až přední hrana přejde přes připojné ohrazení o cca 25 mm. Stroj vypněte a odpojte od napájení. Přidržte dřevo pevně proti ohrazení, povolte upínací knoflík připojného ohrazení, posuňte připojné ohrazení směrem ke dřevu, až se ho dotýká a upínací knoflík utáhněte. Než stroj zapnete a budete pokračovat v obrábění, vytáhněte obrobek zpět z frézy.



Jako u všech elektrických nástrojů, zejména u těch s řezami a noži, se při práci s malými kusy nepřibližujte prsty a rukama k nožům a používejte postrkovací tyčky.

Odtah prachu

Obr. 17

Stolová fréza je opatřena zařízením k odtahu prachu. Kde může být k vývodu na zádi stolu připojen podtlakový odtah, použijte dodaného

adaptéru. Přípojná hadice musí mít vnitřní průměr 34 mm, aby se shodovala s dodaným adaptérem. V ideálním případě by měla po zasunutí do otvoru v zádi stolu těsně sedět na adaptéru. Pamatujte však, že to nezbavuje uživatele používat obličejovou masku k zamezení vdechování částecek prachu.

5. SERVIS A ÚDRŽBA



Při provádění údržby apod. vždy zajistěte, aby fréza byla odpojena od napájení jejím vypnutím a vytažením vidlice ze zásuvky.

Stroj je navržen k provozu po dlouhou dobu s minimální údržbou. Trvalý uspokojivý chod závisí na správné péči o stroj a jeho pravidelném čištění.

Čištění

Udržujte větrací štěrby stroje čisté, aby se zabránilo přehřívání motoru. Pravidelně čistěte kryty stroje měkkým hadrem, především po každém použití. Udržujte větrací štěrby bez prachu a nečistot. Jestliže nečistoty nejdou odstranit, použijte měkký hadr navlhčený mýdlovou vodou. Nikdy nepoužívejte ředidla, jako benzín, líh, čpavkovou vodu apod., protože by mohla poškodit plastové díly.

Mazání

Tento stroj nevyžaduje žádné dodatečné mazání.

Závady

Jestliže se vyskytne závada, např. po opotřebením dílu, spojte se se servisem, jehož adresu najdete na záručním listu. Na zadní straně tohoto návodu naleznete rozložený pohled, ukazující díly, které lze objednat.

Prostředí

K zamezení poškození při přepravě je výrobek dodáván v pevném obalu, který vesměs sestává ze znovu použitelných materiálů. Proto použijte možnosti recyklace balení.

Záruka

Ohleďte záručních podmínek viz samostatně dodaný záruční list.

STOLOVÁ FRÉZA

Ďakujeme vám za kúpu tohto produktu spoločnosti Ferm.

Získali ste výborný produkt od popredného európskeho distribútora. Všetky produkty dodávané spoločnosťou Ferm sa vyrábajú podľa najprísnejších výkonnostných a bezpečnostných noriem. Súčasťou našej obchodnej filozofie je poskytovanie kvalitného zákazníckeho servisu na základe komplexnej záruky. Veríme, že vám tento produkt bude k plnej spokojnosti slúžiť niekoľko rokov.

Čísla v texte sa odvolávajú na diagramy na strane 2



Pre vašu vlastnú bezpečnosť a pre bezpečnosť ostatných vám odporúčame, aby ste si pred použitím píly pozorne prečítali tento návod na použitie. Tento návod na použitie a dokumentáciu k píle si odložte pre neskoršie použitie.

Obsah

1. Informácie o stroji
2. Bezpečnostné pokyny
3. Montáž príslušenstva
4. Prevádzka
5. Servis a údržba

1. INFORMÁCIE O STROJI

Technické údaje

Napätie	230 V
Frekvencia	50 Hz
Veľkosť hlavného stola	455 × 330 mm
Veľkosť nástavca stola	855 × 330 mm
Max. priemer základnej dosky frézy	162 mm
Hmotnosť	6 kg

1. Vršok stola
2. Noha stola
3. Prítlačná doska stola vrátane kovania
4. Vložka stola
5. Spínacia skrinka
6. Vodidlo prítlačnej dosky ohradenia
7. Prítlačná doska ohradenia
8. Vodidlo prítlačnej dosky stola
9. Profil ohradenia
10. Plastové vrečko so skrutkami a kovaním

Informácie o výrobku

Obr. 1

1. Vršok stola
2. Noha stola
3. Prítláčná doska stola vrátane kovania
4. Vložka stola
5. Spínacia skrinka
6. Vodidlo prítláčnej dosky ohradenia
7. Prítláčná doska ohradenia
8. Vodidlo prítláčnej dosky stola
9. Profil ohradenia
10. Plastové vrečko so skrútkami a kovaním



Plastové vrečko nie je hračka! Zamedzte nebezpečenstvu udusenía, uchovávajte toto vrečko mimo dosahu malých detí. Nepoužívajte ho v detských ohrádkach, postielkach, kočiarkoch alebo na hranie. Vrečko pred vyhodením zauzlíte.

- 1 Vršok stola
- 4 Nohy stola
- 1 Prítláčná doska stola vrátane kovania (súprava)
- 1 Vložka stola (súprava)
- 1 Spínacia skrinka
- 1 Vodidlo prítláčnej dosky ohradenia (súprava)
- 1 Prítláčná doska ohradenia
- 1 Vodidlo prítláčnej dosky ohradenia (súprava)
- 1 Profil ohradenia
- 4 Gombíky
- 1 Plastové vrečko so skrútkami a kovaním; podrobnosti – pozri nasledujúce:
 - 4 Skrútkka s krížovou hlavou M6×20
 - 4 Skrútky so šesťhrannou hlavou M6×16
 - 1 Skrútky so šesťhrannou hlavou M6×25
 - 1 Skrútky so šesťhrannou hlavou M6×40
 - 16 Imbusové skrútky M6×12
 - 4 Skrútky (vratové) so štvorhranom M5×50
 - 6 Matice M6
 - 4 Matice M5
 - 18 Ploché podložky Ø 6
 - 2 Veľké ploché podložky Ø 6
 - 16 Pružné podložky Ø 6
 - 2 Poistné gombíky
- 1 Používateľský návod
- 1 Záručný list

2. BEZPEČNOSTNÉ POKYNY

Vysvetlenie symbolov



Označuje nebezpečenstvo zranenia osôb, úmrtia alebo škody na náradí v prípade nedodržania pokynov v tomto návode.



Označuje nebezpečenstvo zranenia elektrickým prúdom.



Nebezpečenstvo! Udržujte ruky v dostatočnej vzdialenosti od pohybujúcich sa častí.



Používajte ochranu sluchu.



Používajte ochranné okuliare.



Používajte prachovú masku.

Ďalšie bezpečnostné pokyny

Bezpečnosť je kombinácia zdravého rozumu, trvalej bdelosti a znalosti ako stolová fréza pracuje.

Prečítajte si tento návod, aby ste tejto fréze porozumeli.

- Vždy používajte ochranu zraku.
- Hladina hluku sa mení podľa miesta. V prípade dlhšieho používania frézy používajte na zamedzenie možného poškodenia sluchu chrániče uší alebo zátky do uší.
- Pri práci, kedy sa tvorí prach, používajte spolu s ochrannými okuliarmi aj prachovú masku.
- Držte sa pokynov v návode pre používateľa frézy.
- Upozornenie! Vibrácie, spôsobené chodom frézy, môžu spôsobiť uvoľnenie upínačov. Pred použitím a ďalej pravidelne kontrolujte všetky pripevňovacie prvky, či sú dotiahnuté a zaistené.
- Nepoužívajte tento výrobok, pokiaľ nie sú dokončené kroky zostavenia a inštalácie. Zaisťte, aby ste si prečítali a pochopili všetky bezpečnostné a prevádzkové pokyny v tomto návode a v návode používateľa frézy.

- Pred vykonávaním akéhokoľvek rezu skontrolujte, či nástavec frézy je v správnej polohe a správne uchytený vo fréze.
- Nepoužívajte stôl frézy ako ponk alebo pracovný povrch. Mohol by sa pri tom poškodiť a spôsobiť, že by používanie frézy nebolo bezpečné. Na inú prácu používajte ponk.
- Tento výrobok je navrhnutý na frézovanie rovných plochých kusov. Nepracovávajte obrobky, ktoré nie sú rovné, ani sa o to nepokúšajte.
- Tento výrobok je navrhnutý len na opracovanie drevených obrobkov. Nepoužívajte nástroj na kovové alebo iné nie drevené materiály.
- Používanie podpier na prísun alebo odsun sa veľmi odporúča, keď sa opracovávajú dlhé obrobky. Také obrobky inak môžu spôsobiť prevrátenie stola frézy.
- Udržujte ruky v dostatočnej vzdialenosti od nástavca frézy a pracovného priestoru.
- Na postrkovanie malých obrobkov cez obrábací priestor používajte tyčky.
- Po použití frézu očistite. Odporúča sa použitie mokrého či suchého vysávača alebo odsávacieho zariadenia.
- Vždy skontrolujte, či pracovná plocha stola frézy je čistá a bez prachu, triesok a cudzích častíc, ktoré môžu zasahovať do rezu, ktorý chcete vykonať. Odporúča sa použitie mokrého či suchého vysávača alebo odsávacieho zariadenia.
- Ohradenie, ktoré prichádza so stolom frézy, má zberač prachu, ku ktorému je možné pripojiť mokrý či suchý vysávač.
- Pred každým použitím skontrolujte funkciu zábrany. Odstráňte všetok prach, triesky a akékoľvek cudzie častice, ktoré môžu ovplyvniť jej funkciu.
- Upozornenie! Nikdy nedávajte prsty pod hornú ochranu, keď je fréza zapojená do zásuvky alebo keď sa nástavec otáča.
- Obrobok posúvajte vždy proti smeru otáčania frézovacieho nástavca.
- Nástavce frézy sú veľmi ostré, tak pri manipulácii s nimi a pri ich používaní dbajte na zvláštnu pozornosť.
- Skontrolujte, či používané nástavce frézy sú ostré alebo správne naostrené. Umožní to rýchle, účinné a bezpečné frézovanie.
- Niektoré frézy, keď sú v polohe hore nohami (napr. na stole frézy), spadnú alebo vypadnú

z podstavca frézy, keď sa objímka podstavca povolí pre nastavenie výšky alebo hĺbky rezu. Je veľmi dôležité pri týchto nastavovaniach, alebo kedykoľvek sa objímka podstavca povoľuje, frézu zospodu podprieť.

- Pri zapínaní alebo vypínaní frézy sa vždy pozrite pod stôl frézy, na spínaciu skrinku. Nedotýkajte sa pritom ničoho iného, než spínacej skrinky. Keď fréza beží, nikdy nesiahajte pod stôl frézy z iného dôvodu, než kvôli jej vypnutiu.
- Upozornenie! Pred vykonávaním akéhokoľvek rezu skontrolujte, či fréza je vypnutá, nástavec frézy sa neotáča a prírodný kábel je vyťahnutý zo zásuvky. Potom sa bezpečne presvedčte, či horný kryt je v bezpečnej vzdialenosti od nástavca frézy a od obrobku. Odporúča sa vykonanie skúšobného posunu s frézou vypnutou a nástavcom v pokoji.
- Upozornenie! Nikdy nenechávajte stôl frézy bez dozoru, keď fréza beží. Pred opustením stola frézy z akéhokoľvek dôvodu frézu vypnite.

Elektrická bezpečnosť



Vždy skontrolujte, či napájanie zodpovedá napätiu na typovom štítku.

Výmena káblov alebo vidlíc

Ihneď vyhodte staré káble alebo vidlice, ktoré boli nahradené novými. Je nebezpečné zasúvať vidlicu voľného kábla do zásuvky.

Používanie predlžovacích káblov

Používajte len schválený predlžovací kábel, vhodný pre príkon stroja. Minimálny prierez vodičov je 1,5 mm². Pri použití káblovej cievky cievku úplne rozviňte.

3. ZOSTAVENIE

Zostavenie stola frézy

Obr. 1 – 13



Pred zostavovaním stola skontrolujte, či sú k dispozícii všetky súčasti. V prípade, že niečo chýba, spojte sa so servisným strediskom, ktorého adresu máte na záručnom liste.

Pri zostavovaní stola frézy postupujte takto:

- Položte vršok stola (1, obr. 1) hore nohami na rovnú plochu (obr. 2).
- Primontujte nohy stola (2, obr. 1) pomocou štyroch skrutiek so šesťhrannou hlavou (M6×12) a matíc (M6), ale ešte nič nedotiahujte (obr. 3).
- Zopakujte vyššie uvedené pre ostatné tri nohy a skontrolujte, či nohy sú v rovine. Potom dotiahnite všetky skrutky.
- Po pripnutí všetkých štyroch nôh zostavu obráťte a skontrolujte, či sa stôl nekolíše. Ak áno, musí sa to pred ďalším pokračovaním napraviť povolením skrutiek na dotýčajúcich nohách a potrebným nastavením.
- Vložte dve vratové skrutky (M5×50) zhora stola do otvorov označených „B“ (obr. 4).
- Pomocou skrutiek so šesťhrannou hlavou, podložiek a gombíkov pripevnite ohradenie (9, obr. 1). Skrutky vložte zospodu stola skrz otvory označené „A“ (obr. 5). Ohradenie nasadíte na skrutky a zaistíte jeho polohu podložkami a gombíkmi.

POZN.: Na presné zarovnanie ohradenia použite uhlomer.

- Nasadte prítlačnú dosku (7, obr. 1), a to nasledujúcim spôsobom:
 - *Povoľte všetky kovania na vodidle pre prítlačnú dosku ohradenia (6, obr. 1).*
 - *Vložte dve vratové skrutky (M6×25) do otvoru na vrchu vodidla pre prítlačnú dosku ohradenia (obr. 6).*
 - *Nasadte vodidlo pre prítlačnú dosku ohradenia na vršku ohradenia a zarovnajte dva otvory s dvoma otvormi na ohradenie, potom vložte dve skrutky (M6×25) do otvorov a polohu zaistíte maticami (obr. 7).*
 - *Posuňte dve predné ohradenia, aby ste mali dosť priestoru pre prítlačnú dosku ohradenia, potom nasadte prítlačnú dosku ohradenia na dve skrutky a polohu zaistíte podložkami a zaistovacími gombíkmi (obr. 8 a obr. 9).*
- Nasadte prítlačnú dosku stola (3, obr. 1), a to takto:
 - *Povoľte všetko na prítlačnej doske stola.*
 - *Povoľte dve skrutky na vodidle pre prítlačnú dosku stola (8, obr. 1) a zarovnajte dva otvory na vodidle pre prítlačnú dosku stola s dvoma otvormi na*

prednej bočnej stene na stole, potom vložte do otvorov dve skrutky a polohu zaistíte maticou (obr. 10).

- *Vložte dve vratové skrutky (M6×25) do otvorov na vodidle pre prítlačnú dosku stola a na ne nasadte prítlačnú dosku stola. Polohu zaistíte podložkami a poistnými gombíkmi (obr. 11 a obr. 12).*
- Nasadte spínaciu skrinku (5, obr. 1), a to takto:
 - *Zarovnajte dva otvory na spínacej skrinke s otvormi na prednej bočnej stene stola.*
 - *Vložte do otvorov dve križové skrutky, a to spredu stola a zaistíte ich dvoma maticami (obr. 13).*

Montáž frézy

Obr. 14 – 16

Pripojte frézu k stolu nasledujúcim spôsobom:

- *Povoľte gombíky, držiace ohradenie, a to posuňte čo najďalej dopredu; zamedzí to vratovou skrutkou frézy (M5×50) vypadnúť zo stola, keď sa stôl obráti.*
- *Opatrne stôl obráťte a položte ho na vhodné veľké kláty alebo podobné podpery (obr. 14).*
- *Nasadte frézu zospodu stola čo najpresnejšie do stredu. Do otvorov označených „C“ vložte zhora stola dve vratové skrutky (obr. 4), teraz zospodu (obr. 15).*
- *Voľne frézu zaistíte štyrmi skrutkami (obr. 16). Môže byť pritom potrebné frézu pootočiť, aby sa všetky štyri skrutky správne usadili. Ak je fréza vybavená riadením rýchlosti, skúste, či je možné osadiť riadenie rýchlosti tam, kde bude ľahko prístupné spredu stola. Po usadení frézy do požadovanej polohy dotiahnite dostatočne štyri skrutky, aby sa zamedzilo pohybu frézy pri prevádzke.*
- *Zasuňte vidlicu frézy do zásuvky spínacej skrinky.*



Táto stolová fréza je len pre frézy do priemeru základnej dosky 162 mm.

- Vaša stolová fréza je teraz úplne zostavená a pripravená na použitie.

4. PREVÁDZKA



Pri nastavovaní a pod. vždy zaistíte, aby fréza bola oddelená od elektrického napájania vypnutím a vytiahnutím vidlice zo zásuvky.

POZN.: Pri nastavovaní výšky, nastavovaní rýchlosti a pod. sa vždy držte konkrétnych pokynov v návode k fréze.

Osadzovanie pracovných nástavcov

Pre osadenie pracovných nástavcov, keď fréza je na stole, bude potrebné frézu úplne spustiť. Vyberte požadovaný nástavec a nasadte ho. Nasadte vložku stola čo najbližšej veľkosti nástavca a tak, aby sa nástavec nedotýkal vložky.

Nastavenie výšky

Vysuňte frézu, až nástavec vyčnieva nad stôl v požadovanej výške. Na odrezku dreva urobte skúšobný rez pre presné nastavenie.

Nastavenie ohradenia

Povoľte dva gombíky pridržiujúce ohradenie a to upravte ako je potrebné. Na rovnobežné nastavenie ohradenia použite značky vzdialenosti. Na odrezku dreva urobte skúšobný rez pre presné nastavenie.

Prítlačná doska

Nastavte prítlačnú dosku ohradenia tak, aby pri obrábaní pridržiavala kus dreva na stole naplocho a proti ohradeniu. Pre to položte kus dreva proti ohradeniu a pod príslušnou doskou, ktorá sa má nastaviť, povoľte dva poistné gombíky a dosku spustíte, až spočíva na dreve. Potom dosku ešte prítlačte dole, aby vyvíjala na drevo prítlak voči stolu. Nastavte dosku stola rovnakým spôsobom, aby drevo pridržiavala pevne proti ohradeniu.

Prípojnú ohradenie

Nastavte prípojnú ohradenie na podopieranie dreva pri rezaní celej hrúbky. Nastavte hĺbku rezu atď., ako je popísané vyššie, a posúvajte kus dreva v stroji, až predná hrana prejde cez prípojnú ohradenie o cca 25 mm. Stroj vypnite a odpojte od napájania. Pridržite drevo pevne proti ohradeniu, povoľte upínací gombík prípojnú ohradenia, posuňte prípojnú ohradenie smerom k drevu, až sa ho dotýka, a upínací gombík dotiahnite. Než stroj zapnete a budete pokračovať v obrábaní, vytiahnite obrobok späť z frézy.



Ako pri všetkých elektrických nástrojoch, najmä pri tých s frézami a nožmi, sa pri práci s malými kusmi nepribližujte prstami a rukami k nožom a používajte posúvacie tyčky.

Odt'ah prachu

Obr. 17

Stolová fréza je vybavená zariadením na odt'ah prachu. Kde môže byť k vývodu v zadnej časti stola pripojený podtlakový odt'ah, použite dodaný adaptér.

Prípojná hadica musí mať vnútorný priemer 34 mm, aby sa zhodovala s dodaným adaptérom. V ideálnom prípade by mala po zasunutí do otvoru v zadnej časti stola tesne sedieť na adaptéri. Pamätajte však, že to nezbavuje používateľa používať tvárovú masku na zamedzenie vdychovania čistočiek prachu.

5. SERVIS A ÚDRŽBA



Pri vykonávaní údržby a pod. vždy zaistíte, aby fréza bola odpojená od napájania jej vypnutím a vytiahnutím vidlice zo zásuvky.

Stroj je navrhnutý na prevádzku po dlhé obdobie s minimálnou údržbou. Trvalý uspokojivý chod závisí od správnej starostlivosti o stroj a jeho pravidelného čistenia.

Čistenie

Udržujte vetracie štrbiny stroja čisté, aby sa zabránilo prehrievaniu motora. Pravidelne čistite kryty stroja mäkkou handrou, predovšetkým po každom použití. Udržujte vetracie štrbiny bez prachu a nečistôt. Ak sa nečistoty nedajú odstrániť, použite mäkkú handru navlhčenú mydlovou vodou. Nikdy nepoužívajte riedidlá, ako benzín, lieh, čpavkovú vodu a pod., pretože by mohla poškodiť plastové diely.

Mazanie

Tento stroj nevyžaduje žiadne dodatočné mazanie.

Poruchy

Ak sa vyskytne porucha, napr. po opotrebovaní dielu, spojte sa so servisom, ktorého adresu

nájdete na záručnom liste. Na zadnej strane tohto návodu nájdete rozložený pohľad ukazujúci diely, ktoré je možné objednať.

Prostredie

Pre zamedzenie poškodenia pri preprave je výrobok dodávaný v pevnom obale, ktorý prevažne pozostáva z opakovane použiteľných materiálov. Preto použite možnosti recyklácie balenia.

Záruka

Ohľadom záručných podmienok pozrite samostatne dodaný záručný list.

STRUŽNICA

Ďakujeme, že ste si kúpili tento výrobok od firmy Ferm.

Vďaka tomu máte teraz vynikajúci výrobok, dodaný jedným z hlavných distribútorov v Európe. Všetky výrobky, ktoré Vám dodala firma Ferm, sú vyrobené podľa najnovších noriem pre vyhotovenie a bezpečnosť. Súčasťou našej filozofie je poskytovať prvotriedny zákaznícky servis, podložený našou komplexnou trojročnou zárukou.

Veríme, že sa budete tešiť z tohto výrobku po mnoho nadchádzajúcich rokov.

Čísla v texte odkazujú na schémy na stranách 2-6



Pred použitím zariadenia si pozorne prečítajte prevádzkové pokyny. Oboznámte sa s jeho funkciami a základnou prevádzkou. Servis zariadenia vykonávajújte podľa pokynov, aby ste zaručili, že bude vždy správne fungovať. Prevádzkové pokyny a príslušná dokumentácia sa musí uschovať v blízkosti zariadenia.

Vsebina

1. Informácie o stroju
2. Varnostna navodila
3. Sestava
4. Upravljanje
5. Vzdrževanje

1. PODATKI O NAPRAVI

Tehnični podatki

Napetost električnega toka	230 V
Frekvenca	50 Hz
Maksimalen tok	10 A
IP razred	IP 20
Velikost mize	455 x 330 mm
Maks. premer stružne ploščče	162 mm
Teža	6 kg

Informacije o izdelku

Slika 1

1. Zgornji del mize
2. Stojalo
3. Podlaga, vključene so podložke
4. Mizni vložek
5. Stikalo

6. Držalo za vodilo
7. Podloga za vodilo
8. Držalo na mizi
9. Profil vodila
10. Plastična vrečka za vijaki in podložkami



Plastična vrečka ni igrača! Zaradi nevarnosti zadušitve ne sme biti dostopna otrokom. Ne smete je uporabljati v otroških posteljicah, posteljah, vozičkih in v stajicah. Preden vrečko vržete stran, jo zavežite.

Vsebina paketa

- 1 Zgornji del mize
- 4 Stojalo
- 1 Podloga, vključene so podložke (komplet)
- 1 Mizni vložek (komplet)
- 1 Stikalo
- 1 Držalo za vodilo (komplet)
- 1 Podloga za vodilo
- 1 Držalo na mizi (komplet)
- 1 Profil vodila
- 4 Gumb
- 1 Plastična vrečka za vijaki in podložkami, podrobnosti so navedene spodaj:
 - 4 Križni vijak, M6X20
 - 4 Vijak (privijanje z ključem ali francozem), M6X16
 - 1 Vijak (privijanje z ključem ali francozem), M6X25
 - 1 Vijak (privijanje z ključem ali francozem), M6X40
 - 16 Vijak (privijanje z imbusom), M6X12
 - 4 Vijak z ravno glavo, M5X50
 - 6 Matica, M6
 - 4 Matica, M5
 - 18 Podložka ravna, Ø 6
 - 2 Podložka ravna debela, Ø 6
 - 16 Elastična podložka, Ø 6
 - 2 Gumb za privijanje
- 1 Priročnik za uporabnike
- 1 Garancijski list

2. VARNOSTNA NAVODILA

Legenda simbolov



Označuje nevarnost poškodbe, izgube življenja ali poškodbe stroja v primeru neupoštevanja navodil v tem priročniku.



Kaže na možnost električnega šoka.



Nevarnost! Roke stran od premikajočih se delov.



Nositi zaščito za ušesa.



Nositi zaščitna očala



Nositi zaščitno masko

Dodatna varnostna navodila

Varnost je kombinacija zdrave pameti, pozornosti in vedenja, kako ta stroj deluje. Preberite ta priročnik za lažje razumevanje delovanja stružnice.

- Vedno nosite zaščito za oči.
- Jakost zvoka se spreminja z lokacijo. Da bi se izognili poškodbam sluha, nosite čepke za ušesa in naušnike med daljšo uporabo stružnice.
- Kjer je prisoten prah, nosite zaščitno masko in zaščitna očala.
- Sledite navodilom v priročniku.
- Pozor! Vibracije, ki jih povzročajo stružnica med uporabo, lahko razrahlja pritrjevalce. Pred vsakim delom preverite pritrjevalce, da se prepričate, da so pravilno pritrjeni.
- Ne uporabljajte te naprave preden je sestavljena v celoti in ste prepričani, da ste o njenem delovanju poučeni.
- Prepričajte se, da je stružilo pravilno vpeto pred vsako uporabo.
- Stružnice ne uporabljajte kot mizo ali kot delovno podlago. Lahko jo poškodujete, kar lahko nato privede do poškodb.
- Stroj je namenjen obdelavi ravnih izdelkov. Ne režite ali obdelujte izdelkov, ki niso ravni.
- Stroj je namenjen le obdelavi lesenih izdelkov. Z njim ne režite ali kako drugače obdelujte kovinskih ali drugih nelesenih materialov.
- Uporaba podaljškov delovne površine je priporočljiva, kadar delate z daljšimi deli. Drugače lahko ti deli prevrnejo delovno površino.
- Pazite na roke in jih zaščitite.
- Izdelajte in uporabite palico za premikanje manjših izdelkov po delovni površini.
- Očistite stružnico po vsaki uporabi. Uporaba

suhe krpe in sesalca je priporočljiva.

- Delovna površina stružnice mora biti vedno čista, brez prahu, ostružkov in drugih tujkov, ki bi lahko motili njeno delovanje. Uporaba suhe krpe in sesalca je priporočljiva.
- Priloženo vodilo imazbiralec prahu, na katerega lahko pritrđite suho krpo.
- Pred vsako uporabo preverite držalo. Odstranite prašne delce, ostružke in druge tujke, ki bi lahko motili delovanje stroja.
- Opozorilo! Nikoli ne dajajte prstov pod ščitnik med delovanjem stroja ali ko se vrti rezilo.
- Vedno držite kos lesa proti rezilu.
- Stružila so izjemno ostra, zato morate biti zelo previdni med uporabo.
- Delajte le z ostrimi stružili. To bo omogočilo hitrejše, kakovostnejše in bolj varno struženje.
- Nekatera stružila, kadar jih postavimo na glavo (kot npr. na stružni mizi) padejo iz svojega mesta, če je sponka razrahljana pri primeru nastavitve višine ali globine reza. Zato je zelo pomembno, da stružilo podpremo kadar spreminjamo te nastavitve.
- Vedno pogledjte stikalo, kadar ga želite prestaviti. Ne dotikajte se ničesar drugega med tem opravlilom. Nikoli ne segajte z roko pod stružnico, razen kadar stružnica ni v delovanju.
- Opozorilo! Pred vsakim rezom se prepričajte, da je stružnica izklopljena, da se stružilo ne vrti in da vtikalo ni vtičnici. Nato se prepričajte, da ščitnik ni v napoto stružilu. Test je močno priporočen, a le ko je stružnica izklopljena in se stružilo ne vrti.
- Opozorilo! Nikoli ne zapuščajte stružnice med njenim delovanjem. Preden zapustite delovni prostor, izklopite.

uporabi podaljška vedno odvijte kabel do konca.

3. SESTAVA

Sestavitev stružnice

Slika 1 - 13



Preden začnete sestavljati stružnico, se prepričajte, da imate vse potrebne dele. V primeru, da vam kateri izmed delov manjka, pokličite servis naveden na garancijskem listu.

Za sestavitev mize je potrebno storiti sledeče:

- Položite zgornji del mize (1, Slika 1) na glavo na ravno površino (Slika 2).
- Postavite eno nogo mize (2, Slika 1) z štirimi vijaki (M6X12) in maticami (M6) in jih ne privijte do konca (Slika 3).
- Ponovite zgornji korak za ostale tri noge, nato se prepričajte, da so postavljene naravnost in jih privijte do konca.
- Ko pritrđite vse noge, konstrukcijo obrnite in postavite pokonci. Če se miza maje, je potrebno vijake odviti in popraviti noge..
- Vstavite dva vijaka (M5X50) v označeno mesto "B" z vrha mize (Slika 4).
- Pritrđite vodilo (9, Slika 1) s priloženimi vijaki (za privijanje potrebujete ključ ali francoza), podložkami in gumbi za privijanje. Vijake vstavite s spodnje strain mize skozi označeno "A" (Slika 5). Pritrđite vodilo z vijaki in zavarujte s podložkami in gumbi za privijanje.

Opomba: Uporabite lestvico za pravilno poravnavo vodila.

- Varovalno podlogo namestite po sledečih korakih (7, Slika 1):
 - Odvijte vse podložke na varovalni podlogi (6, Slika 1).
 - Vstavite dva vijaka (M6X25) v odprtine na vrhu varovalne podloge (Slika 6).
 - Postavite držalo varovalne podloge na vrh, tako da zravnate dve luknji z dvema luknjama na vodilu, nato pa vstavite dva vijaka (M6X25) v odprtine in ju privijte z maticama (Slika 7).
 - Potisnite obe vodili naprej, da si zagotovit dovolj prostora za pričvrstitev držala za vodilo, nato pa vodila pritrđite z dvema vijakoma in ju privijte z dvema podložkama in gumboma za privijanje.

Električna varnost



Vedno preverite če se napetost električnega oskrbnika sklada z napetostjo, pod katero lahko stroj deluje.

Menjava kablov ali priključkov

Takoj vrzite stran stare kable in priključke, ko jih zamenjate z novimi. Uporaba starih, razrahljanih kablov je nevarna.

Uporaba podaljškov

Uporabljajte le potrjen in primeren podaljšek. Najmanjša velikost prevodnika je 1,5 mm². Pri

(Slika 8 in Slika 9).

- Držalo na mizi (3, Slika 1) namestite po sledečih korakih:
 - Odvijte vse podložke na držalu.
 - Odvijte dva vijaka na vodilu za držalo (8, Slika 1), in poravnajte dve luknji na držalu z dvema luknjama na srednjem delu mize. Nato vstavite ta dva vijaka in ju privijte z dvema maticama (Slika 10).
 - Vstavite dva vijaka (M6X25) v odprtino na držalu, držalo postavite nanj, zavarujte s podložkama in privijte matici (Slika 11 in Slika 12).
- Pritrdite stikalo (5, Slika 1) s naslednjimi koraki:
 - Poravnajte dve luknji na stikalu z dvema luknjama na sprednji strani mize.
 - Pritrdite z dvema križnima vijakoma in zategnite z dvema maticama (Slika 13).

Namestitev stružila

Slika 14 - 16

Stružilo namestite po sledečih korakih:

- Odvijte gumbce za privijanje na vodilu in vodilo potisnite naprej, kolikor gre. To bo preprečilo, da bi vijaki (M5X50) padali skozi mizo, ko je miza obrnjena na glavo.
- Previdno obrnite mizo na glavo in jo podprite z kockami lesa ali čim podobnim. (Slika 14)
- Postavite stružilo na mesto na spodnji strani mize čim bolj na sredi. Vstavite dva vijaka na mesto označeno "C" (Slika 4) z vrha mize, v tem primeru spodaj (Slika 15).
- Narahlo pričvrstite stružilo na mesto s štirimi vijaki (Slika 16). Mogoče boste morali obračati stružilo, da boste lahko pravilno privili vijake. âe ima stružilo nadzorovalec hitrosti, poskusite postaviti nadzorovalec tako, da bo lahko dostopen in dosegljiv. Ko je stružilo na željenem mestu, močno pričvrstite stružilo, da preprečite njegovo premikanje med delovanjem stroja.
- Priključite priključek stružnice v vtikalno dozo stikala.



Tej stružnici se prilegajo stružila s maksimalnim premerom 162mm

- Vaša stružnica je zdaj sestavljena in pripravljena za uporabo.

4. UPRAVLJANJE



Pred opravljanjem sprememb na stroju vedno izklopite stroj in povlecite vtikalno iz vtičnice.

Opomba: Pred vsako spremembo višine ali hitrosti si preberite poglavje o upravljanju stružnice v tem priročniku.

Namestitev stružil

Za namestitev dodatnih stružil je potrebno stružnico popolnoma spustiti in šele nato lahko namestimo dodatna stružila. Stružila se morajo popolnoma prilegati.

Nastavitev višine

Zvišajte stružnico do višine, kjer stružilo pride na želeno mesto. Naredite nekaj poskusnih obdelav na odpadnem lesu. Tako boste zagotovili pravo višino.

Nastavitev vodila

Zrahljajte dve sponki, ki pritrjujeta vodilo in ga namestite po želji. Uporabite oznake, če želite vodilo postaviti vzporedno. Naredite nekaj poskusnih obdelav na odpadnem lesu.

Držalo

Pritrdite držalo tako, da bo le-to držalo kos lesa ob mizo ter vodilo med obdelavo. To naredite tako, da postavite kos lesa ob vodilo, nato pa popustite dva vijaka za privijanje in spustite držalo na les, nanjo rahlo pritisnete in privijte vijaka nazaj.

Vodilo

Nastavite ga tako, da bo podpiral kos lesa po celotni debelini. Nastavite globino reza in potisnite kos lesa naprej tako, da bo vodilni del prečkal rob za približno 25mm. Ugasnite napravo in jo izklopite iz električnega omrežja. Pritisnite kos lesa ob vodilo, razrahljajte sponko, vodilo potisnite proti kosu lesa in pritrdite sponko. Umaknite kos lesa z rezila, preden stroj priključite nazaj in nadaljujete z delom.



Pri vseh električnih napravah in strojih, še posebej pri tistih z rezili, je potrebno posebej paziti na roke in prste. Zato je priporočena uporaba palice pri delu z manjšimi kosi.

Izsesavanje prahu

Slika 17

Stružnica je opremljena z napravo za izsesavanje prahu, na katero je mogoče priključiti sesalec. Cev se mora prilegati na priložen adapter z premerom 34mm. Kljub vsemu je priporočena uporaba zaščitne maske, da bi preprečili vdihavanje prašnih delcev.

5. VZDRĚVANJE



Med vzdrževanjem se vedno prepričajte, da stružnica ni pod električnim tokom. Stroj mora biti ugasnjen in izklopljen iz vtičnice.

Stroj je bil zasnovan tako, da bo deloval daljše obdobje ob minimalnem vzdrževanju. Dolgotrajno zadovoljivo delovanje je odvisno od pravilne nege in rednega čiščenja stroja.

Čiščenje

Prezračevalne odprtine morajo biti čiste. S tem preprečujete pregrevanje stroja. Stroj redno čistite z mehko krpo, zaželjeno je čiščenje po vsaki uporabi. V prezračevalnih odprtinah ne sme biti prahu ali umazanije. V primeru, da se umazanije ne da odstraniti, uporabite mehko krpo, navlaženo z milnato vodo. Nikoli za čiščenje ne uporabljajte bencina, alkohola ipd.. Ti lahko poškodujejo plastične dele.

Podmazanje

Ta stroj ne potrebuje dodatnega podmazovanja.

Okvare

V primeru okvar, npr. po obrabi določenega dela, se obrnite na naslov servisa, ki je naveden na garancijskem listu. Na koncu tega priročnika boste našli seznam delov, ki jih lahko naročite.

Okolje

Da bi preprečili poškodbe med transportom je naprava dostavljena v čvrstem paketu, katerega sestavljajo večinoma iz materialov za ponovno uporabo. Zato vas prosimo, da paket reciklirate.

Garancija

Za pogoje, pod katerimi velja garancija, se obrnite na posebej priloženo garancijsko izjavo.

FREZARKA STOŁOWA

Dziękujemy za zakup tego produktu Ferm.

Kupując ten produkt uzyskaliście Państwo doskonałe urządzenie dostarczone przez jednego z wiodących producentów w Europie. Wszystkie urządzenia Ferm są produkowane zgodnie z najwyższymi normami wydajności i bezpieczeństwa. Częścią naszej filozofii jest zapewnianie doskonałej obsługi klienta wspartej naszą polityką gwarancyjną.

Mamy nadzieję, że będziecie Państwo z przyjemnością korzystali z tego produktu przez wiele lat.

Liczby w tekście odnoszą się do schematów na stronach 2-6.



Przed rozpoczęciem użytkowania urządzenia uważnie przeczytaj instrukcję obsługi. Zapoznaj się z funkcjami i podstawami obsługi urządzenia. Przeprowadzaj naprawy i konserwację urządzenia zgodnie z instrukcją, aby zapewnić jego poprawne funkcjonowanie. Instrukcję obsługi i pozostałą dołączoną dokumentację należy przechowywać w pobliżu urządzenia.

Spis treści

1. Informacje o maszynie
2. Instrukcje bezpieczeństwa
3. Złożenie
4. Obsługa
5. Konserwacja

1. INFORMACJE O MASZYNIE

Dane techniczne

Napięcie	230 V
Częstotliwość	50 Hz
Prąd maksymalny	10 A
Typ osłony IP	IP 20
Wielkość stołu	455 x 330 mm
Maks. średnica podstawowej płyty frezarki	162 mm

Informacje o produkcji

Rys. 1

1. Blat stołu
2. Noga stołu
3. Płyta dociskowa włącznie okucia
4. Wkładka stołu
5. Szafa łącznikowa
6. Listwa prowadząca płyty ogranicznika
7. Płyta dociskowa ogranicznika
8. Listwa prowadząca płyty dociskowej stołu
9. Profil ogranicznika
10. Woreczek plastikowy z śrubkami i okuciem / elementami metalowymi/



Worek plastikowy nie jest zabawką! Zabronić niebezpieczeństwu uduszenia, woreczek przechowywać poza zasięgiem małych dzieci. Nie używać go w dziecięcych kojach, łóżeczkach, wózkach lub do zabawy. Worek przed wyrzuceniem należy związać węzełkiem.

Zawartość opakowania

- 1 Blat stołu
- 4 Nogi stołu
- 1 Płyta dociskowa stołu włącznie z okuciem (zestaw)
- 1 Wkładka stołu (zestaw)
- 1 Szafa łącznikowa
- 1 Listwa prowadząca płytę dociskową ogranicznika (zestaw)
- 1 Płyta dociskowa ogranicznika
- 1 Listwa prowadząca płytę dociskową ogranicznika (zestaw)
- 1 Profil ogranicznika
- 4 Guziki
- 1 Worek plastikowy z śrubkami i z okuciem; szczegóły – patrz poniżej:
 - 4 Śruba z łbem krzyżowym M6X20
 - 4 Śruby z łbem sześciokątnym M6X16
 - 1 Śruby z łbem sześciokątnym M6X25
 - 1 Śruby z łbem sześciokątnym M6X40
 - 16 Śruby imbusowe M6X12
 - 4 Śruby z łbem grzybkowym z czworokątnym podsadzeniem M5X50
 - 6 Nakrętki M6
 - 4 Nakrętki M5
 - 18 Podkładki płaskie Ø 6
 - 2 Duże podkładki płaskie Ø 6
 - 16 Podkładki sprężyste Ø 6
 - 2 Guziki zabezpieczające
 - 1 Instrukcja użytkownika

1 Karta Gwarancyjna

2. INSTRUKCJE BEZPIECZEJSTWA

Objaśnienia symboli



Oznacza niebezpieczeństwo zranienia osób, utraty życia lub szkody na urządzeniu w przypadku niedotrzymania poleceń zawartych w niniejszej instrukcji.



Oznacza niebezpieczeństwo porażenia prądem elektrycznym.



Niebezpieczeństwo! Ręce trzymać z dala od części ruchomych.



Używać środków do ochrony słuchu.



Używać okulary ochronne.



Używać maskę kurzową.

Kolejne instrukcje bezpieczeństwa

Bezpieczeństwo to połączenie zdrowego rozsądku, stałej czujności i znajomości, jak frezarka stołowa pracuje. Proszę przeczytać niniejszą instrukcję w celu zrozumienia działania frezarki.

- Zawsze używać ochronę wzroku.
- Poziom hałasu jest zmienny według miejsca.. W celu uniknięcia ewentualnego uszkodzenia słuchu proszę użyć ochroniacze uszu lub korki do uszy, jeżeli frezarkę używamy przez dłuższy okres.
- Przy pracy, kiedy powstaje kurz, proszę użyć razem z okularami ochronnymi również maskę ochronną.
- Dotrzymywać instrukcje dla użytkownika frezarki.
- Ostrzeżenie! Wibracje spowodowane pracą frezarki, mogą spowodować poluzowanie klamer. Przed użyciem i wciąż regularnie sprawdzając wszelakie elementy przyłączeniowe, czy są dociągnięte i

zabezpieczone.

- Produkt nie wolno używać, jeżeli nie zostały zakończone czynności montażowe i instalacyjne. Zabezpieczyć, aby wszyscy użytkownicy frezy przeczytali i zrozumieli wszystkie instrukcje zawarte w niniejszej instrukcji obsługi.
- Przed wykonaniem jakiegokolwiek cięcia proszę sprawdzić, czy nadstawka frezarki jest we właściwym położeniu i czy jest dobrze zamocowana.
- Stół frezarki nie używać jako rzemieślniczy stół roboczy lub powierzchnię roboczą. Mógłby przy tym doznać uszkodzeń i spowodować, że praca z frezarką mogłaby stwarzać niebezpieczeństwo. Dla innej pracy używać rzemieślniczy stół roboczy.
- Ten produkt jest zaprojektowany do frezowania prostych płaskich sztuk. Nie obrabiać elementy, które nie są proste, nawet tego nie próbuj.
- Ten produkt został zaprojektowany wyłącznie do obróbki przedmiotów drewnianych. Urządzenie nie używać na materiały metalowe lub niedrewniane.
- W przypadku obróbki długich przedmiotów, zaleca się używanie przystawek do dosuwania lub odsuwania. Takie przedmioty w przeciwnym razie mogą spowodować wywrócenie stołu frezarki.
- Ręce trzymać z dala od nadstawki frezarki i części roboczej.
- Do przepychania małych przedmiotów obrabianych przez przestrzeń obrabiającą należy użyć pręty.
- Po użyciu frezarkę należy wyczyścić. Zaleca się użycie mokrego lub suchego odkurzacza lub urządzenia odsysającego.
- Zawsze sprawdzić, czy powierzchnia robocza frezarki jest czysta i bez kurzu, wiórek i elementów, które mogą ingerować w zamierzony proces cięcia. Zaleca się użycie mokrego lub suchego odkurzacza lub urządzenia odsysającego.
- Ograniczniki, które przychodzą razem ze stołem frezarki, posiada zbieracz kurzu, do którego można podłączyć mokry lub suchy odkurzacz.
- Przed każdym użyciem należy sprawdzić działanie bariery. Usunąć wszelaki kurz, wióry i elementy cudze, które mogą wpłynąć na jej działanie.
- Ostrzeżenie! Palce nigdy nie wolno wkładać

pod górną ochronę, jeżeli frezarka jest załączona do gniazdka lub kiedy nadstawka się obraca.

- Element obrabiany posuwając zawsze w przeciwnym kierunku do obrotów nadstawki frezującej.
- Nadstawki frezarki są bardzo ostre, a więc podczas manipulacji z nimi oraz w czasie ich używania proszę zwracać szczególną uwagę na bezpieczeństwo.
- Sprawdzić, czy używane nadstawki frezarki są ostre i właściwie zaostrome. To umożliwi szybkie, skuteczne i bezpieczne frezowanie.
- Niektóre frezarki w położeniu do góry nogami (np. na stole frezarki), spadną i wypadną z podstawy frezarki, kiedy tuleja podstawy jest poluzowana w celu ustawienia wysokości lub głębokości cięcia. Bardzo ważne jest, aby frezarkę podeprzeć z dołu w czasie tych ustawień lub wtedy, kiedy tuleja zostaje poluzowana.
- Przy włączaniu lub wyłączaniu frezarki należy zawsze popatrzeć się pod stół frezarki, na skrzynię łącznikową. Przy tym nie dotykać się niczego innego, tylko skrzyni łącznikowej. Jeżeli frezarka pracuje, to pod stół można sięgać tylko i wyłącznie w celu jej wyłączenia.
- Ostrzeżenie! Przed wykonaniem jakiegokolwiek cięcia sprawdzić, czy frezarka jest wyłączona, nadstawka frezarki nie obraca się a kabel przewodowy jest wyciągnięty z gniazdka. Następnie bezpiecznie sprawdzić, czy górną osłonę jest w bezpiecznej odległości od nadstawki frezarki i od elementu obrabianego. Zaleca się wykonanie posuwu próbnego z wyłączoną frezarką i nadstawką w położeniu bezruchu.
- Ostrzeżenie! Jeżeli frezarka pracuje, to stół frezarki nigdy nie wolno pozostawić bez nadzoru. Frezarkę wyłączyć przed opuszczeniem stołu frezarki z jakiegokolwiek powodu

Bezpieczeństwo elektryczne



Zawsze sprawdzaj, czy zasilanie odpowiada napięciu na tabliczce znamionowej.

Wymiana kabli lub wtyczek

Natychmiast wyrzucić stare kable lub wtyczki, które zostały zastąpione nowymi. Niebezpieczne

jest wkładając wtyczkę luênego kabla do gniazdka.

Używanie przedłużacza

Używaj wyłącznie zaaprobowany przedłużacz, odpowiednio do poboru mocy maszyny. Minimalny przekrój przewodników wynosi 1,5 mm². Przy użyciu cewki kablowej, cewkę zupełnie odwinąć.

3. ZŁOŻENIE

Złożenie stołu frezarki

Rys. 1 - 13



Przed składaniem stołu należy sprawdzić, czy wszystkie części są do dyspozycji. W przypadku braku którejs części, proszą o kontakt z ośrodkiem serwisowym – adres z tyłu Karty Gwarancyjnej.

Podczas składania stołu frezarki proszę postępować w następujący sposób:

- Górną część stołu (1, rys. 1) połóżyc do góry nogami na płaską powierzchnię (rys. 2).
- Nogę stołu (2, rys. 1) zamontować używając cztery śruby z łbem sześciokątnym (M6X12) i nakrętki (M6), ale jeszcze nic nie dociągając (rys.3).
- Wyżej wymieniony proces powtórz w przypadku pozostałych trzech nóg i sprawdź, czy nogi są równe. Następnie dociągnąć wszystkie śrubki.
- Po zamocowaniu wszystkich czterech nóg zestaw należy obrócić i sprawdzić, czy się stół nie hušta. Jeżeli tak, to przed dalszymi robotami poprawić luzując śruby danych nóg i wyregulować je.
- Włóżyc dwie śruby z łbem grzybkowym z czworokątnym podsadzeniem (M5X50) z góry stołu do otworów oznakowanych "B" (rys. 4).
- Używając śruby z łbem sześciokątnym, podkładki i guziki przymocować ogranicznik (9, rys. 1). Śruby włóżyc z dołu stołu przez otwory oznakowane "A" (rys. 5). Ogranicznik nałóżyc na śrubki i zabezpieczyć jego położenie podkładkami i guzikami.

UWAGA: Do precyzyjnego wyrównania ogranicznika należy użyć kątomierza.

- Nałóżyc płytę dociskową (7, rys. 1) w następujący sposób:

- Poluzować wszelakie okucie na listwie prowadzącej płyty dociskowej ogranicznika (6, rys. 1).
- Włóżyc dwie śruby z łbem grzybkowym z czworokątnym podsadzeniem (M6X25) do otworu na górze listwy prowadzącej płytę dociskową ogranicznika (rys. 6).
- Listwę prowadzącą płytę dociskową ogranicznika włóżyc na górną część ogranicznika i wyrównać dwa otwory z dwoma otworami na ogranicznik, następnie włóżyc dwie śruby (M6X25) do otworów i położenie zabezpieczyć nakrętkami (rys. 7).
- Dwa przednie ograniczniki posunąć w celu uzyskania wystarczającej przestrzeni dla płyty dociskowej ogranicznika, następnie nałóżyc deskę dociskową ogranicznika na dwie śruby i położenie zabezpieczyć podkładkami oraz guzikami zabezpieczającymi (rys. 8 i rys. 9).

- Płytę dociskową stołu (3, rys. 1) nałóżyc w następujący sposób:
 - Wszystko poluzować na płycie dociskowej stołu.
 - Poluzować dwie śruby na listwie prowadzącej dla płyty dociskowej stołu (8, rys. 1) i wyrównać dwa otwory na listwie prowadzącej dla płyty dociskowej stołu z dwoma otworami na przedniej bocznej ścianie stołu, następnie włóżyc do otworów dwie śruby i położenie zabezpieczyć nakrętkami (rys. 10).
 - Włóżyc dwie śruby z łbem grzybkowym z czworokątnym podsadzeniem (M6X25) do otworów na listwie prowadzącej dla płyty dociskowej stołu. Położenie zabezpieczyć podkładkami i guzikami zabezpieczającymi (rys. 11 i rys. 12)
- Szafę łącznikową (5, rys. 1) zamontować w następujący sposób:
 - Wyrównać dwa otwory na szafie łącznikowej z otworami na przedniej bocznej ścianie stołu.
 - Do otworów włóżyc dwie śruby krzyżowe, z przodu stołu i zabezpieczyć je dwoma nakrętkami (rys. 13).

Montaż frezarki

Rys. 14 - 16

Frezarkę przyłączyć do stołu w następujący

sposób:

- Poluzować guziki, które trzymają ogranicznik i przesunąć go jak najdalej do przodu; to zabroni śrubą z łbem grzybkowym z czworokątnym podszadzeniem frezarki (M5X50) wypaść ze stołu, kiedy stół będzie obrócony.
- Stół ostrożnie obrócić i położyć go na odpowiednie wielkie klocki lub podobne podpórki (rys. 14).
- Frezarkę nałożyć z dołu stołu jak najbardziej dokładnie na środek. Do otworów oznakowanych "C" włożyć z góry stołu dwie śruby z łbem grzybkowym z czworokątnym podszadzeniem (rys. 4), teraz z dołu (rys. 15).
- Frezarkę luźno zabezpieczyć czterema śrubami (rys. 16). Możliwe, że będzie trzeba frezarkę trochę przekręcić, aby wszystkie cztery śruby dobrze siadły. Jeżeli frezarka posiada sterowanie szybkości, proszę spróbować, jeżeli jest możliwe osadzić sterowanie szybkości tam, gdzie będzie łatwo dostępne z przodu stołu. Po osadzeniu frezarki do pożądanej pozycji należy dociągnąć wszystkie cztery śruby, aby zabronić ruchu frezarki w czasie eksploatacji.
- Wtyczkę frezarki włożyć do gniazdka skrzyni łącznikowej.



Ta frezarka stołowa jest tylko dla frezarek do średnicy płyty podstawowej 162 mm.

- Teraz Państwa frezarka stołowa jest zupełnie złożona i gotowa do użycia.

4. EKSPLOATACJA



Podczas regulacji itp. pracach należy zawsze zabezpieczyć, aby frezarka był odłączony od zasilania elektrycznego wyłączając go i wyciągając wtyczkę z gniazdka.

UWAGA: Podczas ustawiania wysokości, ustawiania szybkości itp. zawsze należy dotrzymywać konkretnych instrukcji frezu.

Osadzanie nadstawek roboczych

Do osadzenia nasadek roboczych, kiedy frezarka jest na stole, frezarka należy zupełnie uruchomić. Proszę wybrać nadstawkę i nałożyć ją

wkładkę stołu o jak najbardziej zbliżonym rozmiarze do nadstawki i to tak, aby nadstawka nie dotykała się wkładki.

Ustawienie wysokości

Frezarkę należy przesunąć do położenia, kiedy nadstawka będzie w pozycji nad stołem w wymaganym położeniu. Na skrawku drewna wykonać próbne cięcie w celu precyzyjnej regulacji.

Ustawienie ogranicznika

Poluzować dwa guziki, które przytrzymują ogranicznik i wyregulować go tak, jak potrzeba. Do równoległego wyregulowania ogranicznika, proszę wykorzystać znaki odległościowe. Na skrawku drewna wykonać próbne cięcie w celu wyregulowania.

Płyta dociskowa

Płytę dociskową ogranicznika ustawić tak, aby podczas obrabiania elementu obrabianego przytrzymywała kawałek drewna na stole na płasko i na przeciw ogranicznika. W tym celu należy położyć kawałek drewna na przeciw ogranicznika i pod właściwą płytę, która ma być ustawiona, poluzować dwa guziki zabezpieczające i spuścić płytę tak, aż spocznie na drewnie. Następnie płytę jeszcze dociśnąć na dół, aby wywieriała na drewno docisk w stosunku do stołu. Ustawić płytę stołu w taki sam sposób, aby drewno przytrzymywała mocno naprzeciw ogranicznika.

Ogranicznik przyłączeniowy

Ustawić ogranicznik przyłączeniowy do podpierania drewna podczas cięcia całej grubości. Ustawić głębokość cięcia itd., jak opisano wyżej i posuwać kawałek drewna w maszynie aż przednia strona przejdzie przez ogranicznik przyłączeniowy o około 25 mm. Maszynę wyłączyć i odłączyć od zasilania. Przytrzymał drewno mocno na przeciw ogranicznika, poluzować guzik zaciskający ogranicznika przyłączeniowego, posunąć ogranicznik przyłączeniowy w kierunku do drewna aż dotknie się go i guziki dociskowy dociągnąć. Przed załączeniem maszyny i kontynuowaniem procesu obróbki, element obrabiany wyciągnąć z powrotem z frezarki.



Tak jak w przypadku wszystkich urządzeń elektrycznych, mianowicie w przypadku tych z frezarkami i nożami, przy pracy z małymi kawałkami nie przybliżać się palcami ani rękami do noży i używać pręty do przepychania.

Odciąg kurzu

Rys. 17

Frezarka stołowa jest wyposażona w urządzenie do odciągania kurzu. Tam, gdzie ródciąg podciśnieniowy może być podłączony do odprowadzenia w tyle stołu, proszę użyć dostarczony zasilacz. Wąż przyłączeniowy musi mieć średnicę wewnętrzną wynoszącą 34 mm, aby była zgodna z dostarczonym zasilaczem. W idealnym przypadku po nałożeniu do otworu w tyle stołu, powinna szczelnie pasować na zasilacz. Proszę jednak pamiętać o tym, że to nie pozbawia użytkownika obowiązku używania maski na twarz w celu zabronienia wchłaniania cząstek kurzu.

5. KONSERWACJA



Podczas wykonywania prac konserwacyjnych i temu podobnych należy zawsze zabezpieczyć, aby frezarka był wyłączony od zasilania poprzez wyłączenie i wyciągnięcie wtyczki z gniazdka.

Maszyna jest zaprojektowana do długookresowej eksploatacji z koniecznością minimalnych prac konserwacyjnych. Stała i zadawalająca praca maszyny jest uwarunkowana właściwą pielęgnacją maszyny i regularnym czyszczeniem.

Czyszczenie

Otwory wentylacyjne należy utrzymywać czyste, w celu uniknięcia przegrzania silnika. Regularnie czyścić osłony maszyny używając miękką szmatkę, przede wszystkim po każdym użyciu. Otwory wentylacyjne utrzymywać bez kurzu i zanieczyszczeń. Jeżeli zanieczyszczenia nie można usunąć, proszę użyć miękką szmatkę nawilżoną wodą mydlaną. Nigdy nie wolno używać rozpuszczalniki takie, jak np.: benzyna, spirytus, woda amoniakowa itp., ponieważ mogą uszkodzić plastikowe osłony.

Smarowanie

Ta maszyna nie wymaga żadne uzupełniające smarowanie.

Awarie

Jeżeli pojawi się awaria, np. po zużyciu części, proszę skontaktować się z działem serwisowym - adres podajemy na Karcie Gwarancyjnej. Na tylnej stronie niniejszej instrukcji znajduje Państwo rozłożony widok uwidaczniający części, które można zamówić.

Środowisko

W celu uniknięcia uszkodzenia podczas transportu produkt jest dostarczany w sztywnym opakowaniu, który w gruncie rzeczy składa się z materiałów do wtórnego użycia.

Gwarancja

Co do warunków gwarancyjnych - patrz osobno dostarczona Karta Gwarancyjna

FREZAVIMO ĮRANKIO STALAS

Dėkojame, kad nusipirkote šį bendrovės Ferm produktą.

Įsigijote puikų gaminį iš vieno geriausių Europos platintojų.

Visi bendrovės Ferm tiekiami produktai gaminami prilaikant griežčiausių technologinių ir saugumo normų. Mūsų komercinės filosofijos dalis yra kokybiškas servisas klientams kompleksinės garantijos pagrindu.

Tikimės, kad šis gaminys jums patikimai tarnaus ilgus metus.

Numeriai tekste atitinka 2-6 puslapiuose esančių paveikslų numerius.



Prieš naudodamiesi prietaisu, atidžiai perskaitykite šią instrukciją. Įsitinkinkite, kad žinote kaip prietaisas veikia ir kaip juo naudotis. Kad prietaisas veiktų tinkami, eksploatuokite jį pagal instrukcijos nurodymus. Saugokite šią instrukciją ir pridėdamą dokumentaciją kartu su prietaisu.

Turinys

1. Informacija apie įrenginį
2. Saugumo reikalavimai
3. Surinkimas
4. Darbas su įrenginiu
5. Techninė priežiūra

1. INFORMACIJA APIE ĮRENGINĮ

Techninės specifikacijos

Įtampa	230 V
Dažnis	50 Hz
Pagrindinio stalo dydis	455 x 330 mm
Pailginamojo stalo dydis	855 x 330 mm
Didžiausias frezavimo įrankio diametras	162 mm
Svoris	6 kg

Informacija apie produktą

1 pav.

1. Stalo viršus
2. Stalo koja
3. Prie stalo priveržiama plokštelė su tvirtinimo detalėmis
4. Stalo tarpiklis

5. Jungiklio dėžutė
6. Vertikalios kreipiančiosios plokštelės kreipiamoji detalė
7. Vertikali kreipiančioji plokštelė
8. Prie stalo priveržiamos plokštelės kreipiamoji detalė
9. Kreiptuvo profilis
10. Plastikinis maišelis su varžtais ir tvirtinimo detalėmis



Plastikinis maišelis nėra žaistas! Maišelį laikykite atokiai nuo kūdikių ir vaikų, nes žaisdami su juo vaikai gali uždusti. Nenaudokite jo vaikiškose lovelėse, lovose, vežimėliuose ir vaikų aptvarėliuose. Prieš maišelį išmesdami jį užriškite.

Pakuotės turinys

- 1 Stalo viršus
- 4 Stalo kojos
- 1 Prie stalo priveržiama plokštelė su tvirtinimo detalėmis (rinkinys)
- 1 Stalo tarpiklis (rinkinys)
- 1 Jungiklio dėžutė
- 1 Vertikalios kreipiančiosios plokštelės kreipiamoji detalė (rinkinys)
- 1 Vertikali kreipiančioji plokštelė
- 1 Prie stalo priveržiamos plokštelės kreipiamoji detalė (rinkinys)
- 1 Kreiptuvo profilis
- 4 Rankenėlės
- 1 Plastikinis maišelis su varžtais ir tvirtinimo detalėmis, smulkesnė informacija apie maišelio turinį pateikta žemiau:
 - 4 Varžtai su kryžmine galvute, M6X20
 - 4 Varžtai su šešiakampe galvute, M6X16
 - 1 Varžtas su šešiakampe galvute, M6X25
 - 1 Varžtas su šešiakampe galvute, M6X40
 - 16 Varžtų su šešiakampiu lizdu galvutėje, M6X12
 - 4 Varžtai lygia galvute, M5X50
 - 6 Veržlės, M6
 - 4 Veržlės, M5
 - 18 Plokščių poveržlių, I 6
 - 2 Didelės plokščios poveržlės, I 6
 - 16 Spyruoklinių poveržlių, I 6
 - 2 Fiksavimo rankenėlės
- 1 Vartotojo vadovas
- 1 Garantijos kortelė

2. SAUGUMO REIKALAVIMAI

Instrukcijoje naudojami šie simboliai:



Įspėjama apie susižeidimo, mirtino susižalojimo arba įrenginio sugadinimo riziką, jei nesilaikoma šio vadovo reikalavimų.



Žymi elektros krūvio smūgio pavojų.



Pavojus! Rankas laikykite atokiai nuo judančių dalių.



Užsidėkite ausines.



Užsidėkite apsauginius akinius.



Užsidėkite respiratorių.

Papildomi saugumo reikalavimai

- Saugumas yra sveikos nuovokos, budrumo ir žinojimo, kaip veikia jūsų frezavimo įrankio stalas, derinys. Kad suprastumėte kaip veikia šis frezavimo įrankio stalas, perskaitykite šį vadovą.
- Visuomet užsidėkite akių apsaugines priemones.
- Priklausomai nuo darbo vietos triukšmo lygis kinta plačiose ribose. Jei dirbate su frezavimo stalu ilgą laiką, kad išvengtumėte klausos pažeidimų, naudokite ausų kištukus arba užsidėkite ausines.
- Atlikdami daug dulkių sukeliančias operacijas užsidėkite respiratorių ir apsauginius akinius.
- Laikykitės frezavimo įrankio savininko vadovo instrukcijų.
- Įspėjimas! Dėl frezavimo įrankio darbo metu atsirandančių vibracijų laikikliai gali atsilaivinti. Prieš dirbdami ir periodiškai darbo metu patikrinkite visus laikiklius ir įsitikinkite, kad visi yra tvirtai ir saugiai priveržti.
- Nenaudokite šio produkto tol, kol nebaigsite visų surinkimo ir įrengimo žingsnių. Įsitikinkite, kad perskaitėte ir supratote visas saugumo ir eksploatavimo instrukcijas, esančias šiame vadove ir frezavimo įrankio savininko vadove.
- Prieš pradėdami frezuoti įsitikinkite, kad freza

yra teisingai įstatyta ir suveržta frezavimo įrankyje.

- Niekada nenaudokite frezavimo įrankio stalo kaip darbastalio arba darbinio paviršiaus. Taip galite jį pažeisti ir padaryti nesaugiu darbui. Tam turi būti naudojamas darbastalis.
- Šis produktas yra suprojektuotas plokščių ruošinių frezavimui. Nepjaukite ir nebandykite nupjauti ruošinių. Nefrezuokite ir nebandykite frezuoti neplokščių ruošinių.
- Šis produktas yra suprojektuotas tik medinių ruošinių frezavimui. Nefrezuokite metalinių ir kitų ruošinių, kurie yra nemediniai.
- Frezuojant ilgus ruošinius itin rekomenduojama naudoti papildomas padavimo ir išėjimo atramas. Be papildomų atramų ilgi ruošiniai gali apversti frezavimo įrankio stalą.
- Rankas laikykite atokiai nuo frezos ir darbinės srities.
- Mažų ruošinių stūmimui per frezavimo sritį pasidarykite ir naudokite stūmimo lentelę.
- Po darbo nuvalykite frezavimo įrankį. Rekomenduojama naudoti drėgno/sauso valymo siurblius.
- Visuomet patikrinkite, ar ant darbinio paviršiaus neliko dulkių, skiedrų ir kitų pašalinių šiukšlių, kurios gali trukdyti frezuojant. Rekomenduojama naudoti drėgno/sauso valymo siurblius.
- Ant frezavimo įrankio stalo esančiame kreiptuve yra dulkėgaudis, prie kurio galima prijungti drėgno/sauso valymo siurbį.
- Kiekvieną kartą prieš pradėdami dirbti patikrinkite apsaugos veikimą. Nuvalykite visas dulkes, skiedras ir kitas pašalines šiukšles, kurios gali paveikti jos funkcionavimą.
- Įspėjimas! Niekada nekiškite pirštų po apsauginiu skydeliu, kai frezavimo įrankis yra prijungtas prie elektros tinklo arba kai freza dar sukasi.
- Ruošinys visuomet turi būti paduodamas priešingai frezos sukimosi kryptčiai.
- Frezos yra labai aštrios, todėl naudodami jas būkite ypač atsargūs.
- Patikrinkite, ar naudojamos frezos yra aštrios ir ar teisingai pagalastos. Naudojant aštrias frezas frezavimas bus spartus, efektyvus ir saugus.
- Atlaisvinus frezavimo įrankio pagrindo laikiklį frezavimo aukščio ir gylio nustatymui, kai kurie atvirkščiai uždėti (pavyzdžiui, ant frezavimo įrankio stalo) frezavimo įrankiai gali nukristi nuo

frezavimo įrankio pagrindo. Todėl reguliuojant frezavimo gylį ir kitais atvejais atlaisvinus laikiklį yra labai svarbu paremti frezavimo įrankį iš apačios.

- Įjungdami arba išjungdami frezavimo įrankį visuomet pažiūrėkite į įrankio jungiklio dėžutę po frezavimo įrankio stalą. Jungdami įrankį nelieskite nieko kito, išskyrus jungiklio dėžutę. Kai frezavimo įrankis yra įjungtas, po stalu nieko neieškokite, nebent jungiklio dėžutės išjungdami įrankį.
- Įspėjimas! Prieš frezuodami išjunkite frezavimo įrankį, įsitikinkite, kad freza nebesisuka ir maitinimo kabelis yra ištrauktas iš maitinimo tinklo lizdo. Tuomet kruopščiai patikrinkite, ar apsauginis skydelis nuvalo frezą ir ruošinį. Pabandydami rekomenduojama prastumti ruošinį esant išjungtam frezavimo įrankiui ir nesisukant frezai.
- Įspėjimas! Niekada nepalikite be priežiūros įjungto frezavimo įrankio. Nesvarbu dėl ko paliekate frezavimo įrankį, palikdami visuomet jį išjunkite.

Elektros saugumo priemonės



Visada patikrinkite, ar maitinimo įtampa atitinka įrankio techniniame pase nurodytą įtampą.

Kabelių ir kištukų pakeitimas

Pakeitę kabelius ir kištukus naujais, senuosius tuoj pat išmeskite. Pavojinga įkišti į maitinimo tinklo lizdą palaido kabelio kištuką.

Pailginimo kabeliai

Naudokite tik aprobuotus pailginimo kabelius, tinkamus įrenginio maitinimo laido kištukui. Minimalus laidininko skerspjūvio plotas yra 1.5 mm². Naudodami kabelio ritę visuomet pilnai ją išvyniokite.

3. SURINKIMAS

Frezavimo įrankio stalo surinkimas

1 - 13 pav.



Prieš surinkdami stalą įsitikinkite, kad visi komponentai yra vietoje. Jei trūksta kokių nors dalių, susisiekite su aptarnavimo skyriumi garantijos kortelėje nurodytu adresu.

- Lai samontėtu frėzmašinas galdu, rikojieties sekojoši:
- Ant lygaus paviršiaus (2 pav.) padėkite atvirksčią stalo viršų (1, 1 pav.)
- Įstatykite stalo koją (2, 1 pav.) ir įtvirtinkite naudodami varžtus su šešiakampe galvute (M6X12) ir veržles (M6), tačiau stipriai dar neveržkite (3 pav.).
- Tokiu pačiu būdu įstatykite likusias tris kojas ir įsitinkinkite, kad visos keturios kojos yra ant to paties lygaus paviršiaus, tuomet užveržkite visus varžtus.
- Tvirtai užveržę visas keturias kojas, apverskite montažą ir patikrinkite, ar stalas nesvyruoja. Jei stalas svyruoja, tai reikia ištaisyti atlaisvinant klibančios kojos (-ų) varžtus ir teisingai priveržiant.
- Įstatykite du varžtus lygia galvute (M5X50) į „B“ raide pažymėtas skylės iš viršutinės stalo pusės (4 pav.).
- Naudodami varžtus su šešiakampe galvute, poveržles ir rankenėles pritvirtinkite kreiptuvą (9, 1 pav.). Įstatykite varžtus į „A“ raide pažymėtas skylės (5 pav.) iš apatinės stalo pusės. Užmaukite kreiptuvą ant varžtų ir užveržkite su poveržlėmis ir rankenėlėmis.

Pastaba: Kreiptuvą tiksliai sulygiuokite pagal sugraduotą liniuotę.

Vertikalią kreipiančiąją plokštelę (7, 1 pav.) pritvirtinkite taip:

- *Atlaisvinkite visus laikiklius ant vertikalios kreipiamosios plokštelės kreipiamosios detalės (6, 1 pav.).*
- *Įstatykite du varžtus lygia galvute (M6X25) į vertikalios kreipiamosios plokštelės kreipiamosios detalės viršutinės skylės (6 pav.).*
- *Uždėkite vertikalios kreipiamosios plokštelės kreipiamąją detalę ant kreiptuvo viršaus, sulygiuokite abi skylės su skylėmis kreiptuve, tuomet įstatykite du varžtus (M6X25) į skylės ir užveržkite su veržlėmis (7 pav.).*
- *Paslinkite dvipusį kreiptuvą, kad liktų pakankamai vietos vertikaliai kreipiančiajai plokštei, tuomet užmaukite vertikalią kreipiančiąją plokštelę ant dviejų varžtų ir priveržkite ją poveržle ir fiksavimo rankenėle (8 ir 9 pav.).*

Prie stalo priveržiamą plokštelę (3, 1 pav.) pritvirtinkite taip:

- *Atlaisvinkite visas prie stalo priveržiamos plokštelės tvirtinimo detales.*
- *Atlaisvinkite du prie stalo priveržiamos plokštelės kreipiamosios detalės (8, 1 pav.) varžtus, sulygiuokite abi prie stalo priveržiamos plokštelės kreipiamosios detalės skylės su abiem skylėm priekinėje stalo pusėje, Tuomet įstatykite du varžtus į skylės ir užveržkite su veržle (10 pav.).*
- *Įstatykite du varžtus lygia galvute (M6X25) į prie stalo priveržiamos plokštelės kreipiamosios detalės angą, uždėkite prie stalo priveržiamą plokštelę ant dviejų varžtų ir priveržkite ją poveržle ir fiksavimo rankenėle (11 ir 12 pav.).*
- Jungiklio dėžutę (5, 1 pav.) pritvirtinkite taip:
 - *Sulygiuokite abi jungiklio dėžutės skylės su skylėm priešakinėje stalo sienelėje.*
 - *Iš priekinės pusės įstatykite du varžtus su kryžmine galvute ir užveržkite su dviem veržlėm (13 pav.).*

Frezavimo įrankio pritvirtinimas 14 - 16 pav.

Frezavimo įrankį prie stalo pritvirtinkite taip:

- *Atlaisvinkite kreiptuvą fiksuojančias rankenėles ir nustumkite jį kiek įmanoma toliau į priekį - taip apvertus stalą neišskris frezavimo įrankio varžtai lygia galvute (M5X50).*
- *Atsargiai apverskite stalą ir paremkite jį ant reikiamo dydžio medinių ar panašių atramų. (14 pav.)*
- *Frezavimo įrankį įstatykite iš stalo apatinės pusės, kiek įmanoma labiau centre. Įstatykite du varžtus lygia galvute į „C“ raide (4 pav.) pažymėtas skylės iš viršutinės stalo pusės (15 pav.).*
- *Nestipriai priveržkite frezavimo įrankį 4 varžtais (16 pav.). Kad teisingai susilygiuotų visi 4 varžtai, frezavimo įrankį gali tekti pasukti. Jei frezavimo įrankis turi greičio valdymo priemonę, pasistenkite pritvirtinti ją taip, kad ji būtų lengvai pasiekama iš priekinės stalo sienelės. Nustatę reikiamą frezavimo įrankio padėtį, visus 4 varžtus užveržkite taip, kad darbo metu įrankis nejudėtų.*
- *Frezavimo įrankio kištuką įkiškite į jungiklio dėžutės lizdą.*



Prie šio frezavimo įrankio stalo galima pritvirtinti ne didesnio nei 162 mm diametro frezavimo įrankius.

- Frezavimo įrankio stalas yra pilnai surinktas ir paruoštas darbui.

4. DARBAS SU ĮRENGINIU



Reguliuodami įrankį įsitikinkite, kad jis yra atskirtas nuo maitinimo tinklo - išjungtas, o kištukas ištrauktas iš maitinimo tinklo lizdo.

Pastaba: Reguliuodami frezavimo įrankio frezavimo aukštį ir greitį visuomet vadovaukitės eksploataavimo vadovo instrukcijomis.

Frezos įdėjimas

Norint įdėti frežą, kai frezavimo įrankis yra pritvirtintas prie stalo, įrankį reikia pilnai nuleisti. Pasirinkite norimą frežą ir įstatykite. Uždėkite stalo tarpiklį, kurio dydis labiausiai atitinka frežą, tačiau įsitikinkite, kad freza nesiliečia prie tarpiklio.

Aukščio nustatymas

Kelkite frezavimo įrankį tol, kol freza išlys pro stalą iki reikiamo aukščio. Kad nustatytumėte tiksliai, atlikite bandomuosius frezavimus su medžio atliekomis.

Kreiptuvo nustatymas

Atleiskite abi kreiptuvo suveržimo rankenėles ir nustatykite reikiamą kreiptuvo padėtį, kad kreiptuvo padėtis būtų lygiagreti, vadovaukitės padalų žymėmis. Kad nustatytumėte tiksliai, atlikite bandomuosius frezavimus su medžio atliekomis.

Kreipiančioji plokštelė

Vertikalią kreipiančiąją plokštelę nustatykite taip, kad apdirbimo metu medžio ruošinys būtų prispaustas prie stalo ir kreiptuvo. Norėdami tai padaryti, įremkite medžio ruošinį į kreiptuvą ir pakiškite po norimą sureguliuoti plokštele, atlaisvinkite dvi fiksavimo rankenėles ir nuleiskite plokštelę taip, kad ji atsiremtų į ruošinį, tuomet stipriau paspauskite plokštelę, kad ruošinys būtų pakankama jėga prispaustas prie stalo. Tuo pačiu būdu nustatykite kryptinį spraustelį, kad jis tvirtai prispaustų medieną prie kreiptuvo.

Sujungiama atrama

Nustatykite sujungiamą atramą taip, kad ji paremtų medieną, kai frezuojama per visą storį. Anksčiau aprašytu būdu nustatykite frezavimo gylį, tuomet paduokite staklėms medienos gabalą tol, kol priekinė briauna išlys už sujungiamos atramos maždaug 25 mm. Išjunkite įrenginį ir atjunkite nuo maitinimo tinklo. Tvirtai prispauskite ruošinį prie kreiptuvo, atlaisvinkite sujungiamos atramos suveržimo rankenėlę, slinkite sujungiamą atramą link ruošinio tol, kol ji palies, tuomet užveržkite suveržimo rankenėlę. Prieš įjungdami įrankį ir tęsdami frezavimą patraukite ruošinį nuo frezos.



Kaip ir su visais elektriniais įrankiais/ asmenis turinčiais įrankiais, apdorojant mažus ruošinius rankas ir pirštus reikia laikyti atokiai nuo ašmenų ir naudoti ruošinio stūmimo lentelę.

Dulkių nusiurbimas

17 pav.

Frezavimo įrankio stalas turi dulkių nusiurbimo įrenginį, prie kurio galima prijungti vakuuminį siurblių, siurblys jungiamas prie išėjimo galinėje stalo pusėje naudojant pridėtą antgalį. Kad būtų pridėtam antgaliui, jungiamosios žarnos vidinis diametras turi būti 34 mm. Idealiu atveju žarna turėtų tvirtai užsimausti ant antgalio, kuris paprasčiausiai įstatomas į angą galinėje stalo pusėje. Atkreipkite dėmesį, kad ir nusiurbiant dulkes vartotojas vis tiek gali užsidėti respiratorių, kad neįkvėptų dulkių.

5. TECHNINĖ PRIEŽIŪRA



Atlikdami techninę įrankio priežiūrą įsitikinkite, kad jis yra atskirtas nuo maitinimo tinklo - yra išjungtas, o kištukas ištrauktas iš maitinimo tinklo lizdo.

Įrenginys suprojektuotas ilgam eksploatacijai laikotarpiui su minimalia technine priežiūra. Pastovus patenkinamas veikimas priklauso nuo tinkamos įrenginio priežiūros ir reguliaraus valymo.

Valymas

Kad neperkaistų variklis, įrenginio aušinimo angos turi būti švarios. Reguliariai nuvalykite

īrenginio korpusā su minkštu audeklu, ģerāusāi po kiekvieno panaudojimo. Neleiskite kautis dulkēms ir purvui aušinimo angose. Jei purvas nenusivalo, naudokite minkštā audeklā sudrēkintā muiļuotu vandeniu. Niekada nenaudokite tokių tirpiklių, kaip benzinas, alkoholis, amoniako tirpalas ir t.t. Šie tirpikliai gali pakenkti plastikinēms dalims.

Sutepimas

Papildomai īrenginio tepti nereikia.

Gedimai

Jei pastebite gedimā, pvz., susidēvi kokia nors dalis, prasme susisiekti su aptarnavimo skyriumi garantijos kortelēje nurodytu adresu. Šio vadovo nugarēlēje pavaizduotas išskeistas dalių, kurias galima užsisakyti, vaizdas.

Aplinkosauga

Kad transportavimo metu īrenginys būtų nepažeistas, jis pristatomas tvirtoje pakuotėje, kuri pagaminta daugiausiai iš tokių medžiagų, kurias galima pakartotinai perdirbti. Todėl prasme pasirūpinti, kad pakuotė būtų perduota perdirbimui.

Garantija

Garantijos sąlygos yra atskirai pridētoje garantijos kortelēje.

FRĒZMAŠĪNAS GALDS

Paldies, ka iegādājāties "Ferm" preci.

Tagad jums ir izcilas kvalitātes prece, ko piegādājis viens no Eiropas vadošajiem izplatītājiem.

Visas "Ferm" piegādātās preces ir ražotas pēc augstākajiem izpildes un drošības standartiem, un saskaņā ar mūsu filozofiju mēs nodrošinām arī lielisku klientu apkalpošanu, kurā ietilpst gadu garantija.

Mēs ceram, ka jūs izbaudīsiet šis preces lietošanu daudzus, jo daudzus gadus.

Turpmāk tekstā norādītie numuri attiecas uz 2-6. lpp. redzamajiem zīmējumiem



Pirms ierices lietošanas rūpīgi izlasiet ekspluatācijas instrukcijas. Iepazīstieties ar tās funkcijām un darbības pamatprincipiem. Lai nodrošinātu ierices pareizu darbību, veiciet tās apkopi atbilstoši instrukcijām. Ekspluatācijas instrukcijas un pievienotā dokumentācija jāglabā ierices tuvumā.

Saturs

1. Informācija par mašīnu
2. Drošības noteikumi
3. Montēšana
4. Ekspluatācija
5. Apkope

1. INFORMĀCIJA PAR MAŠĪNU

Techniniai parametrai

Spriegums	230 V
Frekvence	50 Hz
Maksimālā strāva	10 A
IP kategorija	IP 20
Galda izmērs	455 x 330 mm
Frēzes pamata plāksnes maks. diametrs	162 mm
Svars	6 kg

Informācija par izstrādājumu

Att. 1.

1. Galda virsma
2. Galda kāja
3. Galda spiediena panelis ar piederumiem

4. Galda ieliktnis
5. Slēdžu kārba
6. ležogojuma spiediena paneļa vadītā
7. ležogojuma spiediena panelis
8. Galda spiediena paneļa vadītā
9. ležogojuma profils
10. Plastmasas maisiņš ar skrūvēm un piederumiem



*Plastmasas maisiņš nav rotajlieta!
Nepieļaujiet nosmakšanas risku, glabājiet šo maisiņu tā, lai tam nepieklūtu bērni. Nelietojot to bērnu gultiņās, gultās, ratiņos un manēžās. Sasieniet maisiņu mezglā pirms izmešanas.*

Piegādes saturs

- 1 Galda virsma
- 4 Galda kājas
- 1 Galda spiediena panelis ar piederumiem (komplekts)
- 1 Galda ieliktnis (komplekts)
- 1 Slēdžu kārba
- 1 ležogojuma spiediena paneļa vadītā (komplekts)
- 1 ležogojuma spiediena panelis
- 1 Galda spiediena paneļa vadītā (komplekts)
- 1 ležogojuma profils
- 4 Kloķi
- 1 Plastmasas maisiņš ar skrūvēm un piederumiem, tai skaitā:
 - 4 Krustveida rievās skrūves (Philips head screws), M6X20
 - 4 Sešstūrgalvas bultskrūves, M6X16
 - 1 Sešstūrgalvas bultskrūves, M6X25
 - 1 Sešstūrgalvas bultskrūves, M6X40
 - 16 Cilindriskas galvas skrūve ar sešstūru padziļinājumu atslēgai (Allen hex head bolts), M6X12
 - 4 Sēņveida galvas skrūves (Coach bolts), M5X50
 - 6 Uzgriežņi, M6
 - 4 Uzgriežņi, M5
 - 18 Plakanas paplāksnes, I 6
 - 2 lielas plakana paplāksnes, I 6
 - 16 Atspēriņas paplāksnes, I 6
 - 2 Bloķējošie kloķi
- 1 Lietotāja rokasgrāmata
- 1 Garantijas karte

2. SAUGUMO NURODYMAI

Simboliņu paaškinimas



Apzīmē personāla traumēšanas risku, dzīvības apdraudēšanu un instrumenta bojāšanas iespēju instrukciju neievērošanas gadījumā.



Apzīmē elektriskā šoka bīstamību.



Bīstami! Nepieskarieties ar rokām pie kustīgām daļām.



Lietojiet ausu aizsarglīdzekļus.



Lietojiet aizsargbrilles.



Lietojiet putekļu masku.

Papildus drošības instrukcijas

Drošība rodas, kad apvieno veselo saprātu, piesardzību un frēzmašīnas pārziņāšanu. Izlasiet šo rokasgrāmatu, lai iepazītu frēzmašīnu.

- Vienmēr lietojiet acu aizsardzību.
- Trokšņu līmenis mainās plašā diapazonā atkarībā no izvietojuma. Lai izvairītos no iespējamās dzirdes bojāšanas, lietojiet ausu aizbāžņus vai uzmavas, kad ilgstoši strādājat ar frēzmašīnu.
- Veicot putekļainas operācijas, lietojiet putekļu masku un aizsargbrilles.
- Sekojiet instrukcijām frēzmašīnas lietotāja rokasgrāmatā.
- Brīdinājums! Vibrācijas, kas rodas frēzei strādājot, var izraisīt slēgmehānismu atslābināšanu. Pirms lietošanas un periodiski lietošanas gaitā pārbaudiet visus slēgmehānismus, lai pārliecinātos, ka tie visi ir cieši un droši.
- Nelietojiet šo izstrādājumu, kamēr visi montēšanas un instalēšanas soļi nav pabeigti. Pārliecinieties, ka esat izlasījis un sapratis visas drošības un ekspluatācijas instrukcijas no šīs rokasgrāmatas un no frēzmašīnas lietotāja rokasgrāmatas.
- Pārliecinieties, ka frēzes grieznis ir pareizi

ievietots un iestiprināts frēzmašīnā pirms jebkādu griešanas operāciju veikšanas.

- Nelietojiet frēzmašīnas galdu kā darba galdu vai darba virsmu. Darot tā, jūs varat sabojāt frēzmašīnu, padarot tās izmantošanu nedrošu. Šim nolūkam jāizmanto darba galds.
- Šis produkts ir paredzēts plaknu izstrādājumu griešanai. Negrieziet un nepūlieties griezt izstrādājumus, kas nav plakani.
- Šis produkts ir paredzēts tikai koka izstrādājumu griešanai. Nelietojiet to, lai grieztu metālu un citus materiālus, kas nav koks.
- Apstrādājot garus izstrādājumus, papildus atbalstu izmantošana pavevei un izvadi ir ļoti ieteicama. Pretējā gadījumā gari izstrādājumi var apgāzt frēzmašīnu.
- Nepieskarieties ar rokām frēzes griežņiem un darba zonai.
- Izgatavojiet un lietojiet bīdāmo stieni, lai pārvietotu sīkus izstrādājumus pa darba zonu.
- Notīriet frēzmašīnu pēc lietošanas. Ir ieteicams izmantot mitru/sausu putekļusūcēju vai vakuuma iekārtu.
- Vienmēr pārliecinieties, ka frēzmašīnas galda darba virsma ir tīra un brīva no putekļiem, skaidām un svešķermeņiem, kas varētu traucēt paredzētam griezumam. Ir ieteicams izmantot mitru/sausu putekļusūcēju vai vakuuma iekārtu.
- Iežogojums, kas tiek piegādāts kopā ar frēzmašīnu, ir aprīkots ar putekļu kolektoru, pie kura var pieslēgt mitru/sausu putekļusūcēju.
- Pārbaudiet iežogojuma funkcionēšanu pirms katras lietošanas. Novāciet visus putekļus, skaidas un citus svešķermeņus, kas varētu ietekmēt tā funkcionēšanu.
- Brīdinājums! Nekad nelieciet pirkstus zem augšējā iežogojuma, kad frēzmašīna ir iedakšota elektriskā rozetē, vai kad frēzes grieznis griežas.
- Vienmēr padodiet izstrādājumu pretēji griežņa vai frēzes rotācijas virzienam.
- Frēzes griežņi ir ļoti asi, esiet ļoti uzmanīgi, rīkojoties ar tiem un lietojot tos.
- Pārliecinieties, ka izmantojamie frēzes griežņi ir asi vai tika pareizi uzasināti. Tas nodrošinās ātru, efektīvu un drošu frēzēšanu.
- Dažas frēzes, iestādītas apgrieztā stāvoklī (piemēram, uz frēzmašīnas galda), izkritīs no frēzmašīnas pamata, kad pamata aizspiednis tiks atslābināts griezuma augstuma vai dziļuma regulēšanai. Tāpēc ir ļoti svarīgi

atbalstīt frēzi no apakšas, kad tiek veikta šāda regulēšana vai pie jebkādas pamata aizspiedņa atslābināšanas.

- Vienmēr skatieties uz frēzmašīnas slēdžu kārbu zem frēzmašīnas galda, kad veiciet frēzmašīnas ieslēgšanu un izslēgšanu. Darot to, nepieskarieties nekam citam, izņemot slēdžu kārbu. Nekad nekādai vajadzībai nestiepieties zem frēzmašīnas galda, kad frēzmašīna strādā, izņemot mašīnas izslēgšanu.
- Brīdinājums! Pirms jebkāda griezuma veikšanas pārliecinieties, ka frēzmašīna ir izslēgta, frēzes grieznis nerotē, un barošanas kabelis ir izdakšots no elektriskās rozetes. Tad pārliecinieties, ka augšējais iežogojums atklāj griezni un izstrādājumu. ir ļoti ieteicams veikt pārbaudes gājienu ar izslēgtu frēzmašīnu un nerotējošu frēzes griezni.
- Brīdinājums! Nekad neatstājiet frēzmašīnu bez uzraudzības, kad frēze strādā. Izslēdziet frēzmašīnu, ja jebkāda iemesla dēļ atstājat frēzmašīnu.

Elektriskā drošība



Vienmēr pārbaudiet, vai elektroenerģijas paveve atbilst spriegumam uz parametru plāksnītes.

Kabeļu vai kontaktdakšu nomaīņa

Nekavējoties izmetiet vecus kabeļus un kontaktdakšas pēc to nomaīņas pret jauniem. Ir bīstami iedakšot nogrieztā kabeļa kontaktdakšu sienas elektriskā rozetē.

Pagarinātāju lietošana

Lietojiet tikai atzītus pagarinātājus, kas atbilst mašīnas jaudas pavevei. Vada minimālais izmērs ir 1.5 mm². Lietojot kabeļa spoli, vienmēr pilnīgi attīniet kabeli līdz galam.

3. MONTĒŠANA

Frēzmašīnas galda montēšana

Att.1 - 13



Pirms galda montēšanas, pārliecinieties par visu daļu esamību. Ja kāda daļa trūkst, sazinieties ar servisu, kura adrese ir norādīta uz garantijas kartes.

- Lai samontētu frēzmašīnas galdu, rīkojieties sekojoši:
- Nolieciet galda virsmu (1, Att.1) apgrieztā stāvoklī uz plakanu vietu (Att.2).
- Pielieciet galda kāju (2, Att.1), izmantojot četras sešstūrgalvas skrūves (M6X12) un uzgriežņus (M6), bet vēl nepievelciet tās līdz galam (Att.3).
- Atkārtojiet šo operāciju ar pārējām trim kājām, pārliecinieties, ka visas četras kājas atbalstās uz vienu plakni, tad pievelciet visas skrūves.
- Kad visas četras kājas ir nostiprinātas, apgrieziet galdu, pārliecinieties, ka tas nešūpojas. Ja ir novērojama šūpošanās, tā jānovērš, atslābinot skrūves atbilstoši kājai un ieregulējot to.
- Ievietojiet divas sēņveida galvas skrūves (M5X50) caurumos, apzīmētos "B", no galda augšpusē (Att.4).
- Piestipriniet iežogojumu (9, Att.1), izmantojot pievienotās sešstūrgalvas bultskrūves, paplāksnes un kloķus. Ievietojiet bultskrūves no galda apakšas caur caurumiem, kas apzīmēti "A" (Att.5). Uzlieciet iežogojumu uz bultskrūvēm un nostipriniet pareizā stāvoklī ar paplāksnēm un kloķiem.
- *Atslābiniet visus stiprinājumus uz spiediena paneļa.*
- *Atslābiniet divas skrūves uz galda spiediena paneļa vadules (8, Att.1), savienojiet divus caurumus uz galda spiediena paneļa vadīklas ar diviem caurumiem galda priekšējās malas sienā, tad ievietojiet divas bultskrūves caurumos, un nostipriniet tos pareizā stāvoklī ar uzgriežņi (Att.10).*
- *Ievietojiet divas sēņveida galvas skrūves (M6X25) caurumos galda spiediena panelī, uzlieciet galda spiediena paneli uz divām bultskrūvēm, un nostipriniet to pareizā stāvoklī ar paplāksni un bloķēšanas kloķi (Att.11 un Att.12)*
- Pierīkojiet slēdžu kārbu (5, Att.1), rīkojoties sekojoši:
 - *Savienojiet divus caurumus uz slēdžu kārbas ar diviem caurumiem galda priekšējās malas sienā.*
 - *Piestipriniet to pareizā stāvoklī ar divām krustveida rievās skrūvēm, kas ievietotas no galda augšpusē un pieskrūvētas ar uzgriežņiem (Att.13).*

Piezīme: Izmantojiet graduēšanas skalu, lai precīzi izvietotu iežogojumu.

- Pierīkojiet iežogojuma spiediena paneli (7, Att.1), rīkojoties sekojoši:
 - *Atslābiniet visus stiprinājumus uz iežogojuma spiediena paneļa vadīklas (6, Att.1).*
 - *Ievietojiet divas sēņveida galvas skrūves (M6X25) caurumos iežogojuma spiediena paneļa vadīklas augšpusē (Att.6).*
 - *Uzlieciet iežogojuma spiediena paneļa vadīklu uz iežogojuma augšpusē, savienojiet divus caurumus ar diviem caurumiem iežogojumā, tad ievietojiet divas bultskrūves (M6X25) caurumos, un nostipriniet tos pareizā stāvoklī ar uzgriežņiem (Att.7).*
 - *Nobīdīet priekšējo iežogojumu, lai atbrīvotu pietiekošu vietu iežogojuma spiediena panelim, uzlieciet iežogojuma spiediena paneli uz divām bultskrūvēm, un nostipriniet to pareizā stāvoklī ar paplāksni un bloķēšanas kloķi (Att.8 un Att.9).*
- Pierīkojiet galda spiediena paneli (3, Att.1), rīkojoties sekojoši:

Frēzmašīnas montēšana

Att.14 - 16

Piestipriniet frēzmašīnu pie galda, rīkojoties sekojoši:

- Atslābiniet iežogojuma bloķēšanas kloķus un nobīdīet iežogojumu uz priekšu pēc iespējas tālāk, tas neļaus frēzmašīnas sēņveida galvas bultskrūvēm (M5X50) izkrist cauri galdam, kad tas tiks apgriezts apkārt.
- Uzmanīgi apgāziet galdu un atbalstiet to, noliekot uz atbilstošā izmēra koka klučiem vai citiem piemērotiem priekšmetiem. (Att.14)
- Novietojiet frēzmašīnu galda apakšpusē centrā. Ievietojiet divas sēņveida galvas bultskrūves caurumos, kas apzīmēti "C" (Att.4) no galda augšpusē, kas tagad ir apakšā (Att.15).
- Brīvi piestipriniet frēzmašīnu pareizā stāvoklī ar 4 bultskrūvēm (Att.16). Var izrādīties nepieciešams pagriezt frēzmašīnu, lai izvietotu pareizi visas četras bultskrūves. Ja frēzmašīna ir aprīkota ar ātruma regulētāju, centieties izvietot ātruma regulētāju tā, lai tas būtu ērti sasniedzams no galda priekšpusē. Kad frēzmašīna ir iestādīta vēlamā stāvoklī, nostipriniet 4 bultskrūves pietiekoši stipri, lai

frēzmašīna nekustētos darba laikā.

- Iedakšojiet frēzmašīnas kontaktdakšu slēdžu kārbas kontaktligzdā.



Šis frēzmašīnas galds ir paredzēts tikai frēzmašīnām ar pamata plāksnes diametru līdz 162mm.

- Tagad jūsu frēzmašīnas galds ir pilnīgi samontēts un gatavs darbam.

4. EKSPLUATĀCIJA



Veicot regulēšanu, vienmēr pārliecinieties, ka frēzmašīna ir atslēgta no elektroenerģijas padeves, izslēdzot to izņemot kontaktdakšu no rozetes.

Piezīme: Vienmēr aplūkojiet specifisko frēzmašīnas ekspluatācijas instrukciju rokasgrāmatu, kad veicat augstuma un ātruma regulēšanu.

Griežņu instalēšana

Lai instalētu griežņus, kad frēzmašīna atrodas galdā, nāksies frēzmašīnu pilnīgi nolaist. Izvēlieties vēlamo griezni un instalējiet to. Piemeklējiet galda ieliktni, kas vislabāk atbilst griežņa izmēram, pārliecinieties, ka grieznis nesaskaras ar ieliktni.

Augstuma regulēšana

Celiet frēzmašīnu, kamēr grieznis neizvirzīsies no galda līdz vēlamam attālumam. Veiciet pārbaudes griezumus uz koka atlikumu gabaliem, lai precīzi iestādītu griezni.

Iežogojuma regulēšana

Atslābiniet divus iežogojuma stiprināšanas kloķus, novietojiet iežogojumu vēlamā stāvoklī. Izmantojiet graduēšanas atzīmes, lai iestādītu iežogojumu paralēli. Veiciet pārbaudes griezumus uz koka atlikumu gabaliem, lai precīzi iestādītu iežogojumu.

Spiediena panelis

Iestādiet iežogojuma spiediena paneli tā, lai tas turētu koka gabalu piespiestu plakani pie galda un pret iežogojumu apstrādes laikā. Lai to panāktu, novietojiet koka gabalu, atdurot pret iežogojumu un pabāžot zem atbilstoša regulējamā paneļa, atslābiniet divus regulēšanas kloķus un nolaidiet

paneli, kamēr tas nesaskarsies ar koku. Vēl mazliet nospiediet paneli lejup, lai nodrošinātu pietiekošu spiedienu, kas noturēs koku plakani uz galda. Līdzīgā veidā ieregulējiet galda ķīļa plāksni, lai nodrošinātu koka ciešu atduršanos pret iežogojumu.

Savienošanas iežogojums

Iestādiet savienošanas iežogojumu, lai atbalstītu koku, kad notiek griešana visā biezumā. Ieregulējiet griešanas dziļumu, kā iepriekš aprakstīts. Padodiet mašīnā koka gabalu tiktāl, kamēr priekšējais gals nepaies garām savienošanas iežogojumam apmēram pa 25mm. Izslēdziet frēzmašīnu un atslēdziet elektroenerģijas padevi. Cieši atduri koku pret iežogojumu, atslābiniet savienošanas iežogojuma nostiprināšanas kloķi, izbīdi savienošanas iežogojumu uz koka pusi līdz saskarei, pievelciet nostiprināšanas kloķi. Paveiciet izstrādājumu atpakaļ prom no griežņa pirms mašīnas ieslēgšanas un apstrādes turpināšanas.



Tāpat kā ar visiem elektriskiem instrumentiem, it īpaši aprīkotajiem ar griežņiem/asmeņiem, pasargājiet pirkstus, nepieskarieties asmeņiem, izmantojiet bīdāmos stieņus utt., strādājot ar sīkiem izstrādājumiem.

Putekļu izvākšana

Att. 17

Frēzmašīna ir aprīkota ar putekļu izvākšanas ierīci, kurā vakuuma putekļusūcējs var tikt savienots ar izvadu galda aizmugurē ar pievienotā adaptera palīdzību. Lai pieslēgties adapterim, ir vajadzīga šļūtene ar iekšējo diametru 34mm. Ideāla būtu pietiekoši cieši pieguoša šļūtene, kuru tad varētu vienkārši iebāzt caurumā galda aizmugurē. Tomēr ņemiet vērā, ka tas neatbrīvo lietotāju no putekļu maskas lietošanas, kas pasargā no putekļu daļiņu ieelpošanas.

5. APKOPE



Veicot apkopi, vienmēr pārliecinieties, ka frēzmašīna ir izolēta no elektroenerģijas padeves, izslēdzot to un izņemot dakšu no kontaktligzdas.

Mašīna ir paredzēta ilgstošai ekspluatācijai ar minimālu apkopi. Nepārtraukta apmierinoša

darbība ir atkarīga no pareizās mašīnas aprūpes un regulāras tīrīšanas.

Tīrīšana

Uzturiet mašīnas ventilācijas atveres tīras, lai nepieļautu dzinēja pārkarsēšanu. Regulāri tīriet mašīnas korpusu ar mīkstu drānu, vēlams, pēc katras lietošanas. Pasargājiet ventilācijas atveres no putekļiem un neīrūmjiem. Ja neīrūmus nevar noņemt, izmantojiet mīkstu drānu, saslapinātu ar ziepju ūdeni. Nekad nelietojiet šķīdinātājus, tādus, kā benzīns, spirts, ožamais spirts utl. Šie šķīdinātāji var sabojāt plastmasas daļas.

Eļļošana

Šai mašīnai nav vajadzīga papildus eļļošana.

Kļūmes

Ja notiek kļūme, piemēram, noliecoties kādai daļai, lūdzu, sazinieties ar servisa nodaļu, kura adrese ir norādīta garantijas kartē. Šīs rokasgrāmatas mugurpusē jūs atradīsiet izvērstu skatu, kas parāda daļas, kuras var pasūtīt.

Apkārtējā vide

Lai nepieļautu bojāšanu transportēšanas gaitā, ierīce tiek piegādāta cietā iepakojumā, kas sastāv pārsvarā no pārstrādājamā materiāla. Tāpēc izmantojiet iespējas iepakojuma otrreizējai pārstrādei.

Garantija

Par garantijas noteikumiem skatīt pievienoto atsevišķo garantijas karti.

MASA DE LUCRU PENTRU FREZA DE SUS

Vā mulțumim pentru achiziționarea acestui produs Ferm.

Aveți un produs excelent, oferit de unul dintre cei mai buni furnizori din Europa. Toate produsele care vă sunt oferite de Ferm sunt fabricate în acord cu cele mai înalte standarde de performanță și siguranță. Prin filosofia noastră oferim de asemenea servicii excelente pentru clienți, combinate cu garanția de pentru întregul produs.

Sperăm că vă veți bucura de utilizarea acestui produs pentru mulți ani de acum încolo.

Numerele din acest text fac referire la ilustrațiile de la paginile 2-6.



Citiți instrucțiunile de utilizare cu atenție, înainte de utilizarea acestui aparat. Familiarizați-vă cu funcțiile și utilizarea de bază. Reparați aparatul în acord cu instrucțiunile sale, pentru a asigura că funcționează întotdeauna adecvat. Instrucțiunile de utilizare și documentația însoțitoare trebuie să fie păstrate în apropierea aparatului.

Sumar

1. Datele tehnice ale mașinii
2. Instrucțiunile de securitate
3. Asamblarea și transportul
4. Utilizarea
5. Întreținerea

1. DATELE TEHNICE ALE MAȘINII

Specificațiile tehnice

Voltajul	230 V
Frecvența	50 Hz
Curent maxim	10A
Clasa IP	IP 20
Dimensiunile mesei	455 x 330 mm
Diametrul maxim de baza frezei	162 mm
Greutatea	6 kg

Informațiile privind produsul

Fig. 1

1. Masă de lucru

2. Picioarul mesei
3. Reglajul presiunii al mesei inclusiv Ajustați inguri
4. Garnitura de masă
5. Cutia cu întrerupător
6. Ghidajul reglajului de presiune al opritorului
7. Reglajul de presiune al opritorului
8. Ghidajul reglajului de presiune al mesei
9. Profil de opritor
10. Pungă din plastic cu set de șuruburi și Ajustați inguri



Pungă din plastic nu este o jucărie! Evitați pericolul de sufocare, nu țineți această pungă la îndemână copiilor, mai ales celor mai mici. Nu o uitați în păturile copiilor, în paturi, în cărucioare ori la locurile de joacă. Legați pungă bine, înainte de a o arunca.

Pachetul de livrare conține

- 1 Masă de lucru
- 4 Picioare de masă
- 1 Reglajul presiunii al mesei inclusiv fittinguri (set)
- 1 Garnitura de masă (set)
- 1 Cutie cu întrerupător
- 1 Ghidajul reglajului de presiune al opritorului (set)
- 1 Reglajul de presiune al opritorului
- 1 Ghidajul reglajului de presiune al mesei (set)
- 1 Profil de opritor
- 4 Butoane
- 1 Pungă din plastic cu șuruburi și Ajustați inguri, mai detaliat după cum urmează:
 - 4 Șuruburi cu cap Phillips, M6X20
 - 4 Șuruburi cu cap hexagonal, M6X16
 - 1 Șuruburi cu cap hexagonal, M6X25
 - 1 Șuruburi cu cap hexagonal, M6X40
 - 16 Șuruburi cu gaură hexagonală, M6X12
 - 4 Bolțuri, M5X50
 - 6 Piulițe, M6
 - 4 Piulițe, M5
 - 18 Șaibe plate, Ø 6
 - 2 Șaibe plate largi, Ø 6
 - 16 Șaibe elastice, Ø 6
 - 2 Butoane de strângere
- 1 Manualul utilizatorului
- 1 Scrisoare de garanție

2. INSTRUCȚIUNI DE SECURITATE

Explicarea simbolurilor



Marchează riscul accidentelor de persoane, riscul pierderii de viață ori al pagubei la scula în caz de nerespectarea instrucțiunilor din acest manual.



Indică riscul șocului electric.



Pericol! Nu atingeți de organe de mașina în mișcare.



Folosiți protecția urechilor.



Purtați ochelarii de protecție.



Purtați masca antipraf.

Instrucțiunile de securitate suplimentare

- Securitatea constă într-o combinație de sens comun, vigilență permanentă și cunoștința funcționării mesei pentru freză a D-v. Citiți prezentul manual pentru a cunoaște bine aceasta masa pentru freză.
- Întotdeauna purtați protecția ochilor.
- Nivelul zgomotului variază considerabil în funcție de poziție. Pentru a evita defectarea auzului posibilă, purtați căști sau dopuri de urechi, folosind masa pentru freză a D-v. pe perioade lungi de timp.
- În cazul unor operații cu mult praf, purtați masca antipraf totodată cu ochelarii de protecție.
- Urmăriți instrucțiunile din manualul Dvs. pentru proprietarii frezei de sus.
- Avertizare! Vibrațiile cauzate de freza de sus în decursul utilizării, pot cauza slăbirea elementelor de fixare. Înaintea utilizării și periodic în decursul utilizării, controlați toate elementele de fixare pentru ca să asigurați ca toate să fie strânse și sigure.
- Nu utilizați produsul acesta până când toți pașii de asamblare și instalații nu vor fi completați. Faceți-vă siguri că ați citit și ați

Înțeles bine toate instrucțiunile privind funcționarea și securitatea din manualul prezent și din manualul proprietarului frezei de sus.

- Faceți-vă siguri că bitul frezei de sus este poziționat corect și fixat în freza de sus, înainte de a face orice tăiere.
- Nu utilizați masa pentru freză în loc de un banc de atelier ori o suprafață de lucru. Astfel ați putea s-o deteriorați astfel încât ar deveni nesigură pentru utilizare. Pentru acest scop poate fi utilizat un banc.
- Produsul acesta este proiectat pentru tăierea pieselor de prelucrat plane. Nu tăiați nici nu încercați să tăiați piese de prelucrat care nu sunt plane.
- Produsul acesta este proiectat numai pentru tăierea pieselor de prelucrat din lemn. Nu utilizați pentru a tăia materiale metalice sau altele în afară de lemn.
- Atunci când frezați piese de prelucrat lungi, este recomandată în mod accentuat utilizarea suporturilor auxiliare in-feed și out-feed. Altfel aceste piese de prelucrat pot cauza răsturnarea mesei de freză de sus.
- Nu atingeți cu mâinile de biții frezei de sus și de suprafața de lucru.
- Pregătiți-vă și utilizați un dispozitiv auxiliar pentru manevrarea pieselor de prelucrat de dimensiuni mici pe suprafața de tăiere.
- Curățați freza de sus după ce ați utilizat-o. Este recomandată utilizarea aspiratorului uscat / cu apă ori a echipamentului cu vid.
- Întotdeauna vă faceți siguri că suprafața de lucru a mesei pentru freză este curată și lipsită de praf, așchii și particule străine care pot deranja la tăierea pe care vreți s-o executați. Este recomandată utilizarea aspiratorului la uscat/cu apă ori echipamentului cu vid.
- Opritul care este livrat cu masa pentru freză, este dotat cu colector de praf, la care poate fi racordat aspirator uscat / cu apă.
- Probați funcționarea apărătoarei înainte de orice utilizare. Îndepărtați tot praful, așchile și toate celelalte particule străine care ar putea afecta funcționarea acestuia.
- Avertizare! Niciodată nu puneți degetele sub apărătoarea atunci când freza de sus este conectată de priză electrică ori când bitul frezei de sus se rotește.
- Întotdeauna împingeți piesa de prelucrat împotriva sensului de rotație a frezei ori bitului

de freză de sus.

- Biții de freza de sus sunt extrem de ascuțiți, fiți extrem de atenți tot timpul de manipularea și utilizarea lor.
- Faceți-vă siguri că biții frezei de sus, fiind folosite, sunt ascuțite ori au fost re-ascuțite în mod corect. Aceasta va permite frezarea fastă, eficientă și sigură.
- Unele freze de sus, fiind poziționate cu dosul în sus (cum ar fi pe o masa pentru freză), se vor opri sau cade de pe talpa frezei de sus atunci când dispozitiv de fixare de talpă este desprins pentru a fi ajustată înălțimea sau adâncimea tăierii. De aceea este extrem de importantă rezemarea frezei dedesubt atunci când executăm asemenea reglări sau oricând dispozitivul de fixare de talpă este desprins.
- Uitați-vă întotdeauna sub masa pentru freză la cutia cu întrerupătorul frezei de sus atunci când apăsați pe întrerupătorul în poziția ON ori OFF. Nu atingeți altceva decât cutia cu întrerupătorul atunci când faceți aceasta. Niciodată nu puneți mână sub masa de freză pentru nici un alt motiv decât apăsarea întrerupătorului în poziția OFF, atunci când la masa de freză se lucrează. Este recomandat în mod accentuat un pas de test când freza de sus este pe poziția OFF și bitul frezei nu se rotește.
- Avertizare! Înainte de a face orice tăiere, faceți-vă siguri că freza de sus este pe poziția OFF, freza de sus nu se rotește și cablul de alimentare este deconectat de priză electrică. Apoi faceți-vă siguri în mod absolut că apărătoarea nu atinge bitul frezei de sus și piesa de prelucrat. Este recomandat în mod accentuat un pas de test când freza de sus este pe poziția OFF și bitul frezei nu se rotește.
- Avertizare! Niciodată nu lăsați masa de freză fără supraveghere când freza de sus este în mișcare. Pentru orice eventualitate, puneți întrerupătorul frezei de sus în poziția OFF înainte de a pleca de la masa de freză.

Securitatea electrică



Întotdeauna verificați că priza de energie corespunde cu voltagul de pe plăcuța cu datele privind mașinii.

Înlocuirea cablurilor ori fișelor

- Îndepărtați mediat cablurile ori fișele vechi,

după ce au fost înlocuite cu cele noi. Este periculos să conectați fișa unui cablu de aruncat în priză de perete.

Folosirea cablurilor de prelungire

Pentru priză de putere a mașini întrebuințată numai cablul de prelungire aprobat, potrivit pentru priză de putere a mașinii. Mărimea minimă a conductorului este de 1,5 mm². Atunci când folosiți cablul înfășurați pe tambur, întotdeauna cablul desfășurați complet.

3. ASAMBLAREA

Asamblarea mesei pentru freză

Fig. 1 - 13



Înainte de a asambla masa, asigurați-vă că toate piesele componente sunt prezente. În caz de vreo lipsă, vă rugăm să contactați adresa de servicii din scrisoarea de garanție.

Pentru a asambla masa pentru freză a D-v., procedați după cum urmează:

- Așezați masa de lucru (1, Fig.1) cu vârful în jos pe o suprafață plană (Fig.2).
- Plasați un picior la masa (2, Fig.1) cu ajutorul celor patru șuruburi cu cap hexagonal (M6X12) și piulițele (M6), încă nu strânse până la refuz (Fig.3).
- Repetați aceeași procedeu de mai sus la celelalte trei picioarele și faceți-vă siguri că cele patru picioarele sunt aplanate, prin urmare strângeți toate bolțurile.
- După ce toate cele patru picioarele sunt strânse cu siguranță, turnați tot ansamblul înapoi, probați dacă ansamblul mesei nu se leagănă. În cazul că este detectată vreo clătinare, aceasta trebuie rectificată înainte de a se continua, fiind slăbite bolțurile de la piciorul/picioarele cu pricină și ajustate corect.
- Puneți două bolțuri (M5X50) în orificiile marcate cu "B" de pe masa (Fig.4).
- Atașați opritorul (9, Fig.1) cu ajutorul șuruburilor cu cap hexagonal, șaibe și butoane livrate. Treceți bolțurile dedesubtul mesei prin golurile marcate cu "A" (Fig. 5). Așezați opritorul pe bolțurile și asigurați-le în poziția aceea cu ajutorul șaibelor și butoanelor de strângere.

Notă: Folosiți scară gradată pentru a ajusta opritorul cu acuratețea.

- Ajustați reglajul presiunii al opritorului (7, Fig. 1), procedând după cum urmează:
 - *Slăbiți toate fitingurile de pe ghidajul reglajului de presiune al opritorului (6, Fig. 1).*
 - *Puneți cele două bolțuri (M6X25) în golurile de deasupra ghidajului reglajului de presiune al opritorului (Fig. 6).*
 - *Așezați ghidajul reglajului presiunii al opritorului pe partea de sus a opritorului, și aliniați cele două orificii cu cele două orificii de pe opritorul, apoi puneți două bolțuri (M6X25) în orificii și asigurați în poziția cu piulițe (Fig. 7).*
 - *Deplasați cele două ale opritorului, pentru a obține spațiul suficient pentru reglajul presiunii al opritorului, prin urmare așezați reglajul presiunii al opritorului deasupra celor două bolțuri și asigurați-l în poziția cu o șaibă și cu butonul de strângere (Fig. 8 și Fig. 9).*
- Ajustați reglajul presiunii al mesei (3, Fig. 1) procedând după cum urmează:
 - *Slăbiți toate Ajustați fitingurile de pe reglajul presiunii al mesei.*
 - *Slăbiți cele două șuruburi de pe ghidajul reglajului de presiune al mesei (8, Fig. 1) și aliniați cele două orificii de pe ghidajul reglajului de presiune al mesei cu cele două orificii de pe peretele laturii frontale de masa, apoi puneți cele două șuruburi în orificiile, asigurându-l în poziția cu piulița (Fig. 10).*
 - *Puneți două bolțuri (M6X25) în orificiul de pe ghidajul reglajului de presiune al mesei și așezați reglajul presiunii al mesei pe cele două bolțuri și asigurați-l în poziția cu o șaibă și butonul de strângere (Fig. 11 și Fig. 12)*

Ajustați cutia cu întrerupătorul (5, Fig. 1), procedând după cum urmează:

- *Aliniați cele două orificii de pe cutia cu întrerupător cu cele două orificii de pe peretele laturii frontale de masa.*
- *Ajustați în poziția cu două șuruburi cu cap Phillips trecute din fața mesei, asigurate cu două piulițe (Fig. 13).*

Montajul frezei de sus

Fig. 14 - 16

Atașați freza de sus de masa pentru freză, procedând după cum urmează:

- Slăbiți butoanele de strângere de la opritorul și împingeți opritorul în față cât se poate de mult, prevenind astfel căderea bolțurilor (M5X50) de la freza de sus prin masa atunci când va fi răsturnată.
- Cu grijă răsturnați masa și rezemați-o, așezându-o pe blocuri din lemn ori pe alte suporturi similare. (Fig. 14)
- Poziționați freza de sus pe dosul mesei cât se poate de central. Introduceți două bolțuri în orificiile marcate cu "C" (Fig. 4) din partea de sus a mesei, acum aflată dedesubt (Fig. 15).
- Asigurați freza de sus în poziția cu cele 4 bolțuri (Fig. 16). Poate va fi necesar să rotiți freza de sus pentru a putea poziționa toate cele 4 bolțuri corect. În cazul că freza de sus are ajustată comanda vitezei, încercați, dacă este posibil, poziționarea controlului de viteză acolo unde ar putea fi accesibil ușor din fața mesei. După ce freza de sus a fost așezată în poziția dorită, strângeți cele 4 bolțuri suficient pentru a preveni mișcarea frezei de sus în decursul operații.
- Conectați fișa frezei de sus în mufa cutiei cu întrerupătorul.



Această masa pentru freză poate fi racordată numai cu frezele de sus cu talpă plată de diametrul de până la 162mm.

- Masa pentru freză a D-v. este acum asamblată complet și găta pentru exploatare.

4. FUNCȚIONAREA MAȘINII – RULAJUL



Atunci când executați reglări etcetera, întotdeauna asigurați ca freza de sus să fie izolată de rețeaua electrică, prin oprirea cu întrerupătorul și deconectarea fișei de priză de curent.

Notă: Reglând înălțimea și viteza, etcetera, întotdeauna trebuie să vă referiți la manualul de instrucțiuni de utilizare specific al frezei de sus respective.

Instalarea biților

Pentru a instala biții, freza de sus fiind prinsă în masa, freza de sus trebuie pusă cât se poate de jos. Selectați și instalați bitul dorit. Ajustați garnitura de masă cât se poate de apropiată de mărimea bitului, asigurați-vă că bitul nu atinge de garnitura.

Reglarea înălțimii

Ridicați freza de sus până când bitul nu trece prin masa atât cât este necesar. Executați tăieri de test în bucăți de deșeuri de lemn și reglați cu acuratețea.

Reglarea opritorului

Slăbiți cele două butoane de la dispozitivul de fixare a opritorului și poziționați opritorul după cum este dorit, folosind marcarea liniară pentru ajustarea paralelismului opritorului. Executați tăieri de test în bucăți de deșeuri de lemn și reglați cu acuratețea.

Reglajul de presiune

Ajustați reglajul de presiune al opritorului pentru a susține piesa plană de lemn de pe masa și contra opritorului în decursul prelucrării. Pentru a face această, așezați piesa de lemn contra opritorului și dedesubtul reglajului relevant pentru a fi ajustată, slăbiți cele două butoane de strângere și coborâți reglajul până când nu ajunge până la lemn, mai împingeți reglajul puțin în jos pentru a aplica presiunea suficientă pentru susținerea plăcii de lemn pe masa. Ajustați bară de pană a mesei în același mod pentru a susține lemnul ferm contra opritorului.

Racordarea opritorului

Folosii racordarea opritorului pentru susținerea lemnului atunci când tăierea se execută în toată grosimea. Ajustați adâncimea de tăiere, etcetera, după cum a fost descris mai sus, introduceți în mașina bucată de lemn până când muchia nu trece peste racordarea opritorului cu aproximativ 25mm. Opriți cu întrerupătorul și izolați de rețeaua electrică. Susțineți lemnul ferm contra opritorului, slăbiți butonul dispozitivului de fixare a racordării opritorului, deplasați racordarea opritorului spre lemnul până nu-l atinge, strângeți butonul dispozitivului de fixare. Scoateți piesa de prelucrat de la cuter înainte de a porni din nou și continuați prelucrarea.



Deopotrivă ca la toate aparatele electrice, în special la cele dotate cu cutere / pânze, țineți mâinile și degetele la o distanță sigură de pânzele, ajutându-vă cu dispozitive de împingere etcetera atunci când lucrați cu piese de prelucrat de dimensiuni mici.

Aspirarea prafului

Fig. 17

Masa pentru freză este furnizată cu dispozitiv pentru aspirarea prafului, la care poate fi racordat aspiratorul de o gură pe dosul mesei, cu ajutorul adaptorului livrat. Racordul furtunului necesită diametru interior de 34mm pentru a fi potrivit cu adaptorul livrat, furtunul în caz ideal ar trebui să fie ajustat etanș în mod adecvat de adaptor care prin urmare este înglobat în golul în spatele mesei. Notați însă, că acestea nu scutesc utilizatorul de purtarea măștii antipraf pentru a preveni inhalarea particulelor de praf.

5. ÎNTREȚINEREA



Aveți grijă ca freza de sus să fie oprită și deconectată de priza de curent oricând sunt executate la mașina lucrările de întreținere, etcetera.

Mașina a fost construită pentru funcționarea lipsită de probleme pe o perioadă prelungită și cu întreținerea minimă. Prin curățarea și întreținerea corectă, ajutați la asigurarea funcționării satisfăcătoare prelungite pentru mașina D-v.

Curățarea

Păstrați deschiderile de ventilație a mașinii curate pentru a preveni supraîncălzirea motorului. Curățați mașina regulat cu o cârpă fină, de preferat după fiecare utilizare. Verificați dacă deschiderile de ventilație sunt lipsite de praf și murdărie. Impurități deosebit de persistente curățați cu o cârpă înmuiată în apă cu săpun. Nu folosiți nici un solvent cum ar fi benzină, alcool, amoniac, etcetera. Asemenea chimicale ar deteriora componente sintetice.

Lubrifiere

Această mașină nu necesită lubrifiere suplimentară.

Pana

În caz de pană care poate apare de exemplu în

urma uzurii unei piese, vă rugăm sa contactați adresa de servicii din scrisoarea de garanție. La capătul acestui manual veți găsi o schemă cu piese de schimb care pot fi comandate.

Mediul înconjurător

Pentru prevenirea deteriorării în timpul transportului, mașina este livrată în ambalaj solid executat în majoritate din materiale reciclabile. De aceea vă rugăm să exploatați opțiunile de reciclare a ambalajelor.

Garanția

Pentru modalitățile și condițiile de garanție, vă rugăm să consultați condițiile de garanție incluse.

-

ФРЕЗЕРНЫЙ СТАНОК

Благодарим Вас за покупку данного изделия компании Ферм.

Вы приобрели отличный продукт ведущего европейского дистрибьютора.

Все изделия, поставляемые компанией Ферм, производятся по самым жёстким нормам производства и безопасности. Составной частью нашей коммерческой философии является предоставление нашим заказчикам качественного сервиса на базе комплексного гарантийного обслуживания в течение 3 лет. Мы верим, что данное изделие будет надёжно работать много лет и полностью удовлетворит Ваши требования.

Цифровые обозначения в тексте относятся к изображениям на страницах 2-6.



Для обеспечения собственной безопасности и безопасности других мы рекомендуем внимательно ознакомиться с данной инструкцией перед началом использования изделия. Не выбрасывайте данную инструкцию и другие прилагаемые к изделию документы для возможности их использования в будущем.

Содержание

1. Информация о станке
2. Требования техники безопасности
3. Монтаж
4. Работа
5. Техническое обслуживание

1. ИНФОРМАЦИЯ О СТАНКЕ

Технические данные

Напряжение	230 В
Частота	50 Гц
Максимальная сила тока	10 А
Класс защиты IP	IP 20
Размеры стола	455 x 330 мм
Макс. диаметр основания фрезы	162 мм
Вес	6 кг

Информация об изделии

Рис. 1

1. Верхняя часть стола
2. Нога стола
3. Прижимная панель стола с фурнитурой
4. Вкладка стола
5. Блок выключателя
6. Направляющая прижимной панели ограждения
7. Прижимная панель ограждения
8. Направляющая прижимной панели стола
9. Профиль ограждения
10. Пластиковый пакет с болтами и фурнитурой



Пластиковый пакет не предназначен для игр! Опасность удушья, храните вне досягаемости маленьких детей. Не используйте его в детских оградах, постелях, колясках или для игры. Завяжите пакет перед выбрасыванием.

Содержание упаковки

- 1 Верхняя часть стола
- 4 Ноги стола
- 1 Прижимная панель стола с фурнитурой (комплект)
- 1 Вкладка стола (комплект)
- 1 Шкаф включения
- 1 Направляющая прижимной панели ограждения (комплект)
- 1 Прижимная панель ограждения
- 1 Направляющая прижимной панели ограждения (комплект)
- 1 Профиль ограждения
- 4 Кнопки
- 1 Пластиковый пакет с болтами и фурнитурой; подробнее далее:
 - 4 Болт с крестовой головкой М6х20
 - 4 Болты с шестигранной головкой М6х16
 - 1 Болты с шестигранной головкой М6х25
 - 1 Болты с шестигранной головкой М6х40
 - 16 Болты с внутренней головкой М6х12
 - 4 Болты с квадратным подголовком М5х50
 - 6 Гайка М6
 - 4 Гайка М5
 - 18 Плоская шайба f 6
 - 2 Большие плоские шайбы f 6
 - 16 Пружинные шайбы f 6
 - 2 Фиксирующие кнопки
- 1 Руководство по эксплуатации

2. ТРЕБОВАНИЯ ТЕХНИКИ БЕЗОПАСНОСТИ

Объяснение символов



Обозначает опасность ранения людей, летального исхода или повреждения устройства при несоблюдении указаний настоящей инструкции.



Обозначает опасность поражения электрическим током.



Опасность! Руки должны находиться на достаточном расстоянии от подвижных деталей.



Используйте средства защиты слуха



Используйте защитные очки



Используйте противопыльную маску.

Иные указания по технике безопасности

Безопасность - это совокупность здравого ума, постоянной внимательности и знания принципов работы фрезерного станка. Для ознакомления с работой станка прочтите данную инструкцию.

- Всегда используйте средства защиты глаз.
- Уровень шума изменяется в зависимости от места. Для ограничения возможного повреждения слуха используйте средства защиты слуха или ушные тампоны в случае длительной работы на станке.
- При работе с возникновением пыли совместно с защитными очками используйте респиратор.
- Выполняйте указания инструкции для пользователя фрезерного станка.
- Предупреждение! Возникающая при работе фрезерного станка вибрация может привести к ослаблению крепления
- зажимов. Перед включением и далее регулярно контролируйте все крепёжные элементы на предмет зажатия и фиксации.
- Не используйте данное изделие до полного исполнения операций сборки и установки. Прочтите и поймите все правила по технике безопасности и эксплуатации в данной инструкции и инструкции для пользователя фрезы.
- Перед проведением любого реза проверьте, чтобы надставка фрезы находилась в правильном положении и была правильно закреплена на станке.
- Не используйте стол фрезерного станка в качестве верстака или рабочей поверхности. Он может быть при этом повреждён и эксплуатация станка будет небезопасна. Для иных работ используйте верстак.
- Данное изделие разработано для фрезерования ровных плоских деталей. Не обрабатывайте неровные заготовки и не пытайтесь это сделать.
- Данное изделие разработано для обработки деревянных деталей. Не используйте устройство для обработки металла или иных, не деревянных материалов.
- Настоятельно рекомендуем использовать подпорки на подаче или выходе материала, прежде всего при обработке длинных деталей. В противном случае такие детали могут перевернуть стол станка.
- Руки должны находиться на достаточном расстоянии от надставки фрезы и рабочего пространства.
- Для подачи малых деталей через рабочее пространство используйте рейки.
- После эксплуатации очистите станок. Рекомендуется использовать пылесос с сухой или влажной очисткой или отсасывающее устройство.
- Всегда проверяйте, чтобы рабочее пространство стола фрезы было чистым и без пыли, стружки и посторонних предметов, которые могут попадать в исполняемый рез. Рекомендуется использовать пылесос с сухой или влажной очисткой или отсасывающее устройство.
- Кожух, поставляемый со столом фрезы, имеет пылесборник, к которому возможно подключить пылесос с сухой или влажной

очисткой.

- Перед каждой эксплуатацией проверьте работу защиты. Удалите всю пыль, стружку и любые посторонние предметы, которые могут повлиять на её работу.
- Предупреждение! Никогда не вставляйте пальцы под верхнюю защиту, когда фрезерный станок включен в сеть или при вращении фрезы.
- Подавайте деталь всегда против направления вращения фрезерующей надставки.
- Зубья фрезы очень острые, поэтому при обращении с ними и при их использовании будьте очень внимательны.
- Проверьте, что используемые фрезы остры и правильно заточены. Это позволит произвести работы быстро, эффективно и безопасно.
- Некоторые фрезы, когда они находятся в перевёрнутом положении (напр. на столе станка), могут упасть или выпасть из подставки фрезы, когда муфта подставки будет ослаблена для установки высоты или глубины реза. Очень важно при проведении данной регулировки поддержать фрезу снизу во время ослабления крепления муфты подставки.
- При включении или выключении станка всегда посмотрите под стол фрезы на блок включения. Не прикасайтесь при этом к ни чему другому за исключением блока включения. Никогда не манипулируйте под столом во время работы фрезы за исключением операции выключения.
- Предупреждение! Перед исполнением любого реза убедитесь, что фреза выключена, надставка фрезы не вращается и вилка шнура питания не находится в розетке. После этого убедитесь, что верхний кожух находится на безопасном расстоянии от надставки фрезы и заготовки. Рекомендуем произвести пробную подачу при выключенном станке и остановленной надставке фрезы.
- Предупреждение! Никогда не оставляйте стол фрезы без присмотра во время работы станка. Перед уходом от стола станка по любой причине выключите фрезерный станок.

Электрическая безопасность



Всегда проверяйте, что питание соответствует напряжению на типовой табличке.

Замена кабелей или вилок

Без промедления выбрасывайте старые кабели или вилки после их замены новыми. Опасно вставлять вилку неподключенного кабеля в розетку.

Использование удлинительных кабелей.

Используйте только утверждённые удлинительные кабели, соответствующие потребляемой мощности станка. Минимальное сечение кабеля составляет 1,5 мм². При использовании кабельной катушки полностью раскрутите её.

3. МОНТАЖ

Монтаж стола фрезерного станка

Рис. 1 - 13



Перед сборкой стола убедитесь, что в наличии имеются все детали. Если какие-либо детали отсутствуют, свяжитесь с сервисным центром по адресу, приведенному в гарантийном листе.

При сборке стола фрезерного станка действуйте следующим образом:

- Положите верхнюю часть стола (1, рис. 1) в перевёрнутом положении на ровную поверхность (рис. 2).
- Закрепите ногу стола (2, рис. 1) при помощи четырёх болтов с шестигранной головкой (M6x12) и гаек (M6), но ещё не зажимайте её (рис. 3).
- Повторите приведенную операцию для остальных трёх ног, проверьте, чтобы ноги были в одной плоскости. После этого зажмите все болты.
- После закрепления всех четырёх ног поверните собранный узел и проверьте устойчивость стола. Если стол неустойчив, то перед дальнейшей сборкой снова отпустите болты на необходимой ноге и отрегулируйте устойчивость.

- Вложите два болта с квадратным подголовком (М5х50) сверху в стол в отверстия с обозначением "В" (рис. 4).
- При помощи болтов с шестигранной головкой, шайб и зажимов закрепите ограждение (9, рис. 1). Болты вложите снизу стола через отверстия с обозначением "А" (рис. 5). Ограждение установите на болты и зафиксируйте его положение шайбами и зажимами.

ПРИМ.: Для точного выравнивания ограждения используйте угломер.

- Насадите прижимную панель (7, рис. 1) следующим способом:
 - Отпустите всю фурнитуру на направляющей для прижимной панели ограждения (6, рис. 1).
 - Вставьте два болта с квадратным подголовком (М6х25) в отверстия сверху направляющей для прижимной панели ограждения (рис. 6).
 - Насадите направляющую для прижимной панели на верхнюю часть ограждения и сравните два отверстия с двумя отверстиями в ограждении, после этого вставьте два болта (М6х25) в отверстия и зафиксируйте их положение болтами (рис. 7).
 - Сдвиньте два передних ограждения так, чтобы было достаточно места для прижимной панели ограждения, после этого насадите прижимную панель ограждения на два болта и зафиксируйте положение шайбами и фиксирующими зажимами (рис. 8 и рис. 9).
- Насадите прижимную панель стола (3, рис. 1) следующим образом:
 - Отпустите все крепления на прижимной панели стола.
 - Отпустите два болта на направляющей для прижимной панели стола (8, рис. 1) и выровняйте два отверстия в направляющей для прижимной панели стола с двумя отверстиями на передней боковой стенке стола, после этого вложите в отверстия два болта и положите зафиксируйте гайкой (рис. 10).

- Вложите два болта с квадратным подголовком (М6х25) в отверстия на направляющей для прижимной панели стола и насадите на них прижимную панель стола. Положите зафиксируйте шайбами и предохранительными зажимами (рис. 11 и рис. 12)

- Установите коробку выключателя (5, рис. 1) следующим образом:
 - Выровняйте два отверстия на коробке выключателя с отверстиями в передней боковой стенке стола.
 - Вложите в отверстия два крестовых болта - спереди стола - и зафиксируйте их двумя гайками (рис. 13).

Монтаж фрезы

Рис. 14 - 16

Закрепите фрезу на столе следующим образом:

- Отпустите зажимы, удерживающие ограждение и передвиньте его как можно дальше вперед; это предотвратит выпадение болтов с квадратным подголовком фрезы (М5х50) из стола, когда стол будет перевернут.
- Осторожно переверните стол и положите его на большие бруски или аналогичные опоры (рис. 14)
- Насадите фрезу снизу стола как можно точнее по центру. В отверстия с обозначением "С" сверху вставьте два болта с квадратным подголовком (рис. 4), а после этого снизу (рис. 15).
- Свободно зафиксируйте фрезу четырьмя болтами (рис. 16). При этом возможно придется повернуть фрезу для того, чтобы все болты сели правильно. Если фреза имеет управление скоростью, попытайтесь его установить в месте, где оно будет легко доступно спереди стола. После установки фрезы в требуемое положение с достаточной силой зажмите четыре болта для предотвращения движения фрезы во время работы.
- Вставьте вилку фрезы в разъем блока включения.



Данный фрезерный станок предназначен для фрез с диаметром посадочной панели до 162 мм.

- После этого Ваша настольная фреза полностью собрана и готова к эксплуатации.

4. ЭКСПЛУАТАЦИЯ



При регулировке и т.п. всегда обеспечьте, чтобы фреза была отключена от электросети выключением и вытягиванием вилки из сетевой розетки.

ПРИМ.: При регулировке высоты, установке скорости и т.п. всегда придерживайтесь конкретных указаний инструкции к настольной фрезе.

Установка рабочих надставок

Для установки рабочих надставок, когда фреза находится на столе, необходимо полностью опустить фрезу. Выберите требуемую надставку и насадите её. Установите втулку стола наиболее соответствующую размеру надставки и таким образом, чтобы надставка не прикасалась к втулке.

Регулировка высоты

Установите фрезу в положение, когда надставка выступает над столом на требуемую высоту. На куске древесины произведите пробный рез для точной регулировки.

Регулировка ограждения

Отпустите два зажима, удерживающие ограждение и отрегулируйте его по необходимости. Для параллельной регулировки ограждения используйте метки расстояния. На куске древесины произведите пробный рез для точной регулировки.

Прижимная панель

Установите прижимную панель ограждения таким образом, чтобы при обработке она поддерживала древесину на столе в плоском положении и к ограждению. Для этого положите кусок древесины к ограждению и под регулируемую панель, отпустите два фиксирующих зажима и отпустите панель до касания древесины. После этого панель еще прижмите вниз так, чтобы она прижимала древесину к столу. Настройте панель стола аналогичным способом, чтобы она прочно

прижимала древесину к ограждению.

Монтируемое ограждение

Установите монтируемое ограждение для поддержки древесины при резке по всей толщине. Установите глубину реза и т.д., как описано выше и перемещайте кусок древесины в станке, пока передняя грань перейдёт монтируемое ограждение прил. на 25 мм. Выключите станок и отсоедините от сети. Прочно прижмите дерево к ограждению, отпустите зажим монтируемого ограждения, переместите ограждение в направлении к древесине до контакта и зажмите зажим. Перед включением станка и продолжением обработки достаньте заготовку из станка.



Как и для всех электрических инструментов, прежде всего с фрезами и ножами, при работе с малыми деталями не приближайте пальцы и руки к ножам и используйте для подачи рейки.

33Вытяжка пыли

Рис. 17

Фрезерный станок имеет устройство для вытяжки пыли. К его выводу сзади стола можно подсоединить вытяжку с разряжением. Используйте прилагаемый адаптер. Подсоединяемая трубка должна иметь внутренний диаметр 34 мм для того, чтобы соответствовала поставляемому адаптеру. В идеальном случае она должна плотно сидеть на адаптере после вставления в отверстие на задней стороне станка. При этом помните, что оператор обязательно должен использовать респиратор для предотвращения вдыхания частиц пыли.

5. ТЕХНИЧЕСКОЕ ОБСЛУЖИВАНИЕ



При техническом обслуживании и т.п. всегда обеспечьте, чтобы фреза была отключена от электросети выключением и вытягиванием вилки из сетевой розетки.

Станок предназначен для длительной

експлуатації с мінімальним уходом.
Продолжительная надёжная работа зависит от правильного ухода и регулярной очистки станка.

Очистка

Вентиляционные щели станка должны быть чистыми для предотвращения перегрева двигателя. Регулярно очищайте кожухи станка мягкой тканью, прежде всего после каждого использования. Вентиляционные отверстия должны быть без пыли и загрязнений. Если загрязнения удалить невозможно, используйте мягкую ткань, смоченную в мыльной воде. Никогда не используйте растворители - бензин, спирт, щелочную воду, т.к. они могут повредить пластмассовые детали.

Смазка

Устройство не требует дополнительной смазки.

Неисправности

В случае обнаружения неисправности, напр. из-за износа детали, обратитесь в сервисную службу по адресу, приведенному в гарантийном листе. На задней стороне данной инструкции приведен рисунок с указанием деталей, которые можно заказать.

Среда

Для предотвращения повреждения при транспортировке изделие поставляется в прочной упаковке, которая в основном состоит из перерабатываемых материалов. Поэтому воспользуйтесь возможностью его переработки.

Гарантия

Гарантийные условия см. отдельный гарантийный лист.

ВЕРСТАТНА ФРЕЗА

Дякуємо Вам за те, що Ви придбали цей виріб компанії „Ферм“.

Ви обрали високоякісний виріб від ведучого європейського дистриб'ютора.

Усі вироби, які постачає компанія „Ферм“, виробляються згідно з найстрогішими стандартами що до потужності та безпеки. Складником нашої комерційної філософії є прагнення забезпечити замовникам якісний сервіс на підставі комплексної 3-х річної гарантії.

Ми віримо, що цей виріб буде служити Вам і приносити задоволення протягом багатьох років.



Перед початком експлуатації машини уважно прочитайте дане керівництво. Ознайомтесь з принципом її роботи і керування. Здійсніть технічне обслуговування машини у відповідності до інструкцій для її подальшого бездоганного функціонування. Керівництво з експлуатації і відповідну документацію необхідно зберігати поблизу від машини.

Зміст

1. Інформація про верстат
2. Правила безпеки
3. Комплектація
4. Обслуга
5. Утримування

1. ІНФОРМАЦІЯ ПРО ВЕРСТАТ

Технічні данні

Напруга	230 В
Частота	50 Гц
Максимальна напруга	10 А
Клас ІР	ІР 20
Розмір плити	455 x 330 мм
Макс. діаметр пластини фрези	162 мм
Вага	6 кг

Інформація про виріб

3 обр. 1

1. Кришка столу

2. Нога столу
3. Притискна пластина столу включно з кріпленням
4. Вкладка столу
5. Вмикач запалювання
6. Направляюча притискної пластини огороження
7. Притискна пластина огороження
8. Направляюча притискної пластини столу
9. Профіль огороження
10. Пластиковий пакет з гвинтами та кріпленням



Пластиковий пакет заборонено застосовувати як іграшку! Слід запобігати загрози задущення і зберігати цей пакет далеко від малих дітей. Не застосовувати його у дитячих манежах, ліжечках, коляска та як іграшку. Перш ніж викинути пакет, зв'яжіть його у вузол.

Вміст пакування

- 1 Кришка столу
- 4 Ноги столу
- 1 Притискна пластина столу включно з кріпленням (комплект)
- 1 Вкладка столу (комплект)
- 1 Коробка вмикача
- 1 Направляюча притискної пластини огороження (комплект)
- 1 Притискна пластина огороження
- 1 Направляюча притискної пластини огороження (комплект)
- 1 Профіль огороження
- 4 Регулятори
- 1 Пластиковий пакет з гвинтами та кріпленням; подробиці див. нижче:
 - 4 Гвинти з хрестовиною M6X20
 - 4 Гвинти з шестигранною голівкою M6X16
 - 1 Гвинти з шестигранною голівкою M6X25
 - 1 Гвинти з шестигранною голівкою M6X40
 - 16 Гвинти з внутрішнім шестиграником M6X12
 - 4 Гвинти (ворітні) з квадратної голівкою M5X50
 - 6 Гайки M6
 - 4 Гайки M5
 - 18 Пласкі підкладні шайби f 6
 - 2 Великі пласкі підкладні шайби f 6
 - 16 Гнучкі підкладні шайби f 6

- 2 Запобіжні регулятори
- 1 Вказівки щодо застосування
- 1 Гарантійний талон

2. ПРАВИЛА БЕЗПЕКИ

Пояснення символів



Попереджує про загрозу поранення осіб та можливість наслідку смерті або виникнення шкоди на знарядді у випадку недотримання вказівок цієї інструкції.



Попереджує про загрозу враження електричним струмом.



Небезпека! Тримати руки неа достатній віддалі від рухомих частин.



Користуватися засобами захисту слуху.



Користуватися захисними окулярами.



Користуватися захисною маскою проти порохоу.

Додаткові правила безпеки

Безпека – це комбінація здорового розуму, постійної уважності та знання того, як верстатна фреза працює. Прочитайте дану інструкцію, щоб зрозуміти функцію цієї фрези.

- Завжди користуйтеся засобами для захисту зору.
- Рівень шуму міняється в залежності від місця. Щоб запобігти можливому пошкодженню слуху якщо будете працювати на фрезі довший час, користуйтеся навушниками або ж затичками у вуха.
- Якщо під час роботи виникає порох, то застосовуйте разом з захисними окулярами і захисну маску.
- Дотримуйтеся вказівок у інструкції для користувача фрези.
- Увага! Вібрації, котрі виникають під час роботи фрези, можуть викликати

послаблення прихвтів. Перед роботою та протягом неї слід регулярно контролювати усі елементи кріплення, які мають бути затягнутими та зафіксованими.

- Не слід користуватися цим виробом, доки не закінчено усі кроки комплектації та монтажу. Слід забезпечити, щоб усі прочитали та зрозуміли правила безпеки та робочі вказівки у цій інструкції та у інструкції для користувача фрези.
- Перш ніж проводити будь-який розріз перевірте, що насадка фрези знаходиться у правильній позиції та що її правильно укріплено у фрези.
- Не застосовуйте стіл фрези замість робочого столу або ж робочої поверхні. Ви могли б пошкодити його і у наслідок цього застосування фрези було б небезпечним. Іншу роботу слід виконувати на робочому столі.
- Цей верстат розроблено для фрезерування рівних плоских деталей. Не обробляйте заготовки, котрі не є рівними, і навіть не пробуйте робити цього.
- Цей верстат розроблено тільки для фрезерування дерев'яних деталей. Не слід застосовувати верстат для металічних або ж інших не дерев'яних деталей.
- Застосування підпор для подачі або ж відведення рекомендується, зокрема коли обробляєте довгі деталі. Інакше такі деталі можуть спричинити перекинення столу фрези.
- Тримайте руки на достатній віддалі від насадки фрези та робочого простору.
- Для просування малих деталей у просторі обробки слід застосовувати палиці.
- Фрезу слід після роботи очистити. Рекомендується використання сухого або водяного пілососу або ж витяжного обладнання.
- Завжди слід упевнитися, що стіл фрези чистий, без пороху, трісок та сторонніх часточок, котрі могли б бути на перешкоду розрізу, який Ви хочете виконати. Рекомендується використання сухого або водяного пілососу або ж витяжного обладнання.
- Огородження, яке постачається з столом фрези, має збирач пороху, до якого можна приєднати водяний або ж сухий пілосос.
- Перед кожним використанням слід перевірити функцію огороження.

Необхідно усунути увесь порох, тріски та сторонні часточки, які могли б вплинути на його функцію.

- **Увага!** Ніколи не кладіть пальці під верхній захисний корпус коли фрезу увімкнено у розетку або ж коли насадка обертається.
- Деталь посувайте завжди проти напрямку обертання фрезерувальної насадки.
- Насадки фрези – дуже гострі, тому під час маніпуляції з ними та їх застосування слід бути особливо уважним.
- Перевірте чи використовувані насадки достатньо гострі та чи правильно їх заточено. Це дасть Вам можливість виконувати фрезерування швидко, ефективно та безпечно.
- Деякі фрези можуть у позиції догори ногами (напр. на столі фрези), впасти або ж випасти з підставки, коли обойму фрези відпущено для налагодження висоти або глибини прорізу. Під час такого налагоджування, або коли відпускаєте обойму підставки, слід підкласти фрезу знизу.
- Вмикаючи або вимикаючи фрезу завжди подивіться під стіл на вмикач запалювання. Не доторкайтеся ні до чого іншого, тільки до вмикача запалювання. Коли фреза працює, ніколи не слід сягати під її стіл з іншого приводу ніж для вимкнення верстату.
- **Увага!** Перш ніж проводити будь-який розріз перевірте, що фрезу вимкнено, насадка фрези не обертається, а привідний шнур витягнуто з розетки. Тоді безпечно упевніться, що верхній корпус знаходиться на безпечній віддалі від насадки фрези і від оброблюваної деталі. Рекомендується зробити пробний посун з вимкненої фрезою і з нерухомою насадкою.
- **Увага!** Ніколи не залишайте стіл фрези без догляду, коли фреза працює. Перш ніж з будь-якої причини відійти від столу, вимкніть фрезу.

Правила електричної безпеки



Завжди перевірте, що напруга відповідає напрузі, вказаній на типовому щитку.

Заміна кабелів або вилок.

Слід негайно викинути старі кабелі або вилки,

які було замінено новими. Умикати вилку вільного кабелю у розетку - небезпечно.

Застосування подовжувальних кабелів

Користуйтеся тільки сертифікованим подовжувальним кабелем, відповідним до потужності верстату. Мінімальний переріз провідника – 1,5 мм². При застосуванні кабельної котушки, повністю розмотайте її.

3. КОМПЛЕКТАЦІЯ

Монтаж столу фрези

3 обр. 1 - 13



Перш ніж почати складати стіл слід упевнитися, що у Вашому розпорядженні є усі його деталі. У випадку, коли щось відсутнє, зв'яжіться з сервісним центром, адресу якого вказано у гарантійному талоні.

Під час монтажу фрези слід діяти у такій послідовності:

- Покладіть кришку столу (1, зобр. 1) догори ногами на рівну поверхню (зобр. 2).
- Прикріпіть ногу столу (2, зобр. 1) за допомогою чотирьох гвинтів з шестигранною голівкою (M6X12) та гайок (M6) але ще не затягуйте їх (зобр. 3).
- Повторіть вище вказане для усіх трьох ніг і перевірте, що ноги знаходяться у площині. Потім затягніть усі гвинти.
- Після укріплення усіх чотирьох ніг збірний комплект оберніть і упевніться, що стіл не хитається. Якщо він хитається, то перш ніж продовжувати монтаж, слід виправити це - відпустити гвинти на ногах та вирівняти стіл.
- Вкладіть два ворітні гвинти (M5X50) зверху столу у отвори з позначками "B" (зобр. 4).
- За допомогою гвинтів з шестигранної голівкою, підкладних шайб та регуляторів прикріпіть огородження (9, зобр. 1). Гвинти вкладіть знизу під столом у отвори з позначкою "A" (зобр. 5). Огородження встановіть на гвинти і зафіксуйте його позицію підкладними шайбами та регуляторами.

Прим.: Щоб точно вирівняти огородження

скористайтеся кутоміром.

- Прикріпіть притиску пластину (7, зобр. 1) слудуючим способом:
 - *Відпустіть усі кріплення на направляючій для притиску пластини огородження (6, зобр. 1).*
 - *Вкладіть два ворітні гвинти (M5X50) у отвори у верхній частині направляючої для притиску пластини огородження (зобр. 6).*
 - *Встановіть направляючу притиску пластини огородження у верхній частині огородження і вирівняйте два отвори на огороженні, потім вкладіть два гвинти (M6X25) у отвори і позицію зафіксуйте гайками (зобр. 7).*
 - *Посуньте дві передні частини огородження так, щоб мати досить місця для притиску пластини огородження, потім встановіть притиску пластину огородження на два гвинти і позицію зафіксуйте підкладними шайбами та фіксуєчими регуляторами (зобр. 8 та зобр. 9).*
- Прикріпіть притиску пластину столу (3, зобр. 1) так:
 - *Відпустіть усі кріплення на притиску пластині столу.*
 - *Відпустіть два гвинти на направляючій для притиску пластини столу (8, зобр. 1), вирівняйте два отвори на направляючій для притиску пластини столу з двома отворами на передній боковій стіні столу, потім вкладіть у отвори два гвинти і позицію зафіксуйте гайками (зобр. 10).*
 - *Вкладіть два ворітні гвинти (M6X25) у отвори у направляючій для притиску пластини столу і встановіть на них притиску пластину столу. Позицію зафіксуйте підкладними шайбами і фіксуєчими кнопками (зобр. 11 та зобр. 12)*

Встановіть вмикач запалювання (5, зобр. 1) так:

- *Вирівняйте два отвори на вмикачі запалювання з отворами на передній*

боковій стіні столу.

- Вкладіть у отвори два гвинти з хрестовиною у напрямку спереду столу і зафіксуйте їх двома гайками (зобр. 13).

Монтаж фрези

З обр. 14- 16

Встановіть фрезу на стіл:

- Відпустіть регулятори, котрі тримають огороження і відсуньте якомога далі вперед; це не дозволить ворітнім гвинтам фрези (M5X50) випасти із столу, коли стіл перекинуто.
- Обережно перекиньте стіл і покладіть його на відповідно великі колоди або ж на подібні підпори (зобр. 14)
- Встановіть фрезу знизу під столом якомога точніше у середину. У отвори з позначками "С" вкладіть зверху столу два ворітні гвинти (зобр. Потім знизу (4, зобр. 15)
- Вільно зафіксуйте фрезу чотирма гвинтами (зобр. 16). Може виникнути потреба злегка повернути фрезу, щоб усі чотири гвинти правильно сіли. Якщо фрезу обладнано для керування швидкістю, то можна встановити регуляцію швидкості там, де вона буде легко доступною спереду столу. Встановивши фрезу у необхідну позицію затягніть достатньо усі чотири гвинти, щоб запобігти посуванню фрези під час роботи.
- Засуньте вилку фрези у розетку вмикача запалювання.



Цю верстатну фрезу призначено тільки для фрез з діаметром основною пластини до 162 мм.

- Тепер Вашу верстатну фрезу складено і підготовано до експлуатації.

4. ЕКСПЛУАТАЦІЯ



Виконуючи налагоджування і тп. Слід забезпечити, щоб фрезу було відключено від електричного живлення, вимкнено і вилку витягнуто з розетки.

Прим.: Регулюючи висоту, налагоджуючи швидкість і тд., слід діяти завжди згідно з конкретними вказівками у інструкції до

застосування фрези.

Встановлення робочих насадок.

Для встановлення робочих насадок коли фреза знаходиться на столі, слід фрезу повністю опустити. Виберіть необхідну насадку і встановіть її. Встановіть вкладку столу, якомога більше відповідну до розміру насадкі так, щоб насадка не торкалася вкладки.

Регулювання висоти.

Піднімайте фрезу, доки насадка не буде стирчати над столом на необхідній висоті. За використанням відрізки дерева зробіть пробний розріз для точного налагодження.

Налагодження огороження.

Відпустіть дві кнопки, які притримують огороження і налагодіть його як необхідно. Для паралельного налагодження огороження слід скористатися мірками віддалі. За використанням відрізки дерева зробіть пробний розріз для точного налагодження.

Притискна пластина

Встановіть притискну пластину огороження так, щоб під час роботи вона притримувала шматок дерева на столі у лежачому положенні та проти огороженню. Для цього покладіть шматок дерева навпроти огороження та під відповідну пластину, котру треба відрегулювати, відпустіть два фіксуючі регулятори і спускайте пластину, доки вона не лежатиме на дереві. Потім пластину ще притисніть униз, щоб вона діяла на дерево з притискним зусиллям по відношенню до столу. Відрегулюйте так само дошку столу, щоб вона міцно притримувала дерево навпроти огороженню.

Збірне огороження.

Відрегулюйте збірне огороження, котре має притримувати дерево під час порізу цілої товщини. Налагодивши глибину прорізу та інше, як описано вище, посувайте шматок у верстаті доки переднє ребро не виїде через збірне огороження приблизно на 25 мм. Вимкніть верстат і відключіть від живлення. Міцно притримайте дерево навпроти огороженню, відпустіть фіксуючий регулятор збірного огороження, змістіть огороження у напрямку до дерева, доки вони не

торкатимуться і затягніть фіксуючий регулятор. Перш ніж знову увімкнути верстат і починати роботу, витягніть оброблювану деталь із фрези.



Як і у всіх електричних інструментів, особливо у тих, які мають ножі і фрези, не слід під час роботи з малими шматками наближати пальці та руки до ножів, для просування деталей треба користуватися палицями.

Витяжка пороху

Зобр. 17

Верстатну фрезу обладнано агрегатом для витяжки пороху. Там, де можна до виводу у стіні приєднати вакуумну витяжку, слід скористатися прикладеним адаптером. Шланг для приєднання мусить мати внутрішній діаметр 34 мм, щоб він відповідав адаптерові. У ідеальному випадку шланг має, після встановлення в отвір у задній частині столу, міцно сидіти на адаптері. Однак слід пам'ятати, що це не позбавляє користувача необхідності носити захисну маску, щоб запобігти вдиханню пороху.

5. ПОТОЧНИЙ РЕМОНТ



Виконуючи налагоджування та інші роботи, слід забезпечити, щоб фрезу було відключено від електричного живлення, вимкнено і вилку витягнуто з розетки.

Верстат сконструйовано так, щоб він міг працювати довгий час, не вимагаючи ніякого поточного ремонту. Тривала задовільна робота залежить від правильного утримування верстату та його регулярного чищення.

Чищення

Утримуйте вентиляційні щілини верстату чистими, щоб запобігти надмірному нагріванню двигуна. Регулярно чистіть корпуси верстату м'якою ганчіркою, зокрема після кожного застосування. Утримуйте вентиляційні щілини без пороху та бруду. Якщо нечистоти не можна усунути, скористайтеся м'якою ганчіркою, змоченою у мильній воді. Ніколи не користуйтеся розчинниками, такими як

бензин, спирт, аміачна вода, тощо, які могли б пошкодити пластикові деталі.

Змазування

Цей верстат не вимагає ніякого додаткового змазування.

Завади

При виникненні пошкодження, наприклад, у наслідок зношування деталей, слід звернутися у сервісний центр, адресу якого вказано у гарантійному талоні. На останній сторінці цієї інструкції Ви знайдете розкладене зображення деталей, які можна замовити.

Середовище

Щоб запобігти пошкодженню під час транспорту, виріб постачається у твердому пакуванні, котре повністю складається з матеріалів, які можна знову застосувати. Тому слід скористатися можливостями утилізації пакування.

Гарантія

Що до умов гарантії див. окремо прикладений гарантійний талон.

ΕΠΙΤΡΑΠΕΖΙΑ ΦΡΕΖΑ

Σας ευχαριστούμε που επιλέξατε να αγοράσετε αυτό το προϊόν της Ferm.

Τώρα πλέον διαθέτετε ένα εξαιρετικό προϊόν, κατασκευασμένο από έναν από τους μεγαλύτερους προμηθευτές της Ευρώπης. Όλα τα προϊόντα που προμηθεύεστε από τη Ferm κατασκευάζονται σύμφωνα με τα υψηλότερα πρότυπα απόδοσης και ασφάλειας. Ως μέρος της φιλοσοφίας μας, παρέχουμε επίσης άριστη εξυπηρέτηση πελατών, συνοδευόμενη από την πλήρη εγγύησή μας.

Ελπίζουμε ότι θα μείνετε ευχαριστημένοι από τη χρήση αυτού του προϊόντος για πολλά χρόνια.

Οι αριθμοί που περιέχονται στο κείμενο αναφέρονται στα διαγράμματα, που υπάρχουν στις σελίδες 2-6.



Πριν τη χρήση της συσκευής διαβάστε με λεπτομέρεια τις παρόν οδηγίες χρήσης. Ενημερωθείτε με τις λειτουργίες και τη βασική εξυπηρέτηση. Χειριστείτε τη συσκευή πάντα σύμφωνα με τις οδηγίες, να εξασφαλίστε η σωστή λειτουργικότητά της. Οι οδηγίες χρήσης και το συνοδευόμενο τεχνικό έγγραφο πρέπει να βρίσκεται πλησίον της συσκευής.

Περιεχόμενα

1. Πληροφορίες για το μηχάνημα
2. Οδηγίες ασφαλείας
3. Συναρμολόγηση
4. Λειτουργία
5. Συντήρηση

1. ΠΛΗΡΟΦΟΡΙΕΣ ΓΙΑ ΤΟ ΜΗΧΑΝΗΜΑ

Τεχνικά στοιχεία

Τάση	230 V
Συχνότητα	50 Hz
Μέγεθος του κυρίου τραπεζιού	330 mm
Μέγεθος του πρόσθετου τραπεζιού	855 x 330 mm
Μέγιστη διάμετρος της βασικής φρέζας	162 mm
Βάρος	6 kg

Πληροφορίες για το μηχάνημα

Obr. 1

1. Πάνω μέρος του τραπεζιού
2. Πόδι τραπεζιού
3. Συμπίεστική πλάκα του τραπεζιού μαζί με τη σφυρηλασία
4. Συμπλήρωμα του τραπεζιού
5. Διακόπτης
6. Οδηγός της συμπίεστικής πλάκας της περίφραξης
7. Συμπίεστική πλάκα της περίφραξης
8. Οδηγός της συμπίεστικής πλάκας του τραπεζιού
9. Κατατομή περίφραξης
10. Πλαστική σακούλα που περιέχει βίδες και μεταλλικά αντικείμενα



Δεν είναι παιχνίδι η πλαστική σακούλα! Ελαχιστοποίηση της πιθανότητας πνιγμού, διαφυλάξτε αυτή τη σακούλα μακριά από τα μικρά παιδιά. Μη τη χρησιμοποιείται σε παιδικούς χώρους, κρεβάτια, καροτσάκια ή για παιχνίδι. Πριν την πετάξετε στον κάδο απορριμμάτων βεβαιωθείτε ότι την έχετε κάνει κόμπο.

Περιεχόμενο της συσκευασίας

- 1 Επάνω μέρος του τραπεζιού
- 4 Πόδια τραπεζιού
- 1 Συμπίεστική πλάκα του τραπεζιού μαζί με τη σφυρηλασία (σετ)
- 1 πρόσθετο του τραπεζιού (σετ)
- 1 Διακόπτης
- 1 Οδηγός της συμπίεστικής πλάκας της περίφραξης (σετ)
- 1 Συμπίεστική πλάκα της περίφραξης
- 1 Οδηγός της συμπίεστικής πλάκας της περίφραξης (σετ)
- 1 Κατατομή περίφραξης
- 4 Κουμπιά
- 1 Πλαστική σακούλα που περιέχει βίδες και μεταλλικά αντικείμενα : λεπτομέρειες στη συνέχεια
- 4 Βίδα με σταυρωτή κεφαλή M6X20
- 4 Βίδες με εξάγωνη κεφαλή M6X16
- 1 Βίδες με εξάγωνη κεφαλή M6X25
- 1 Βίδες με εξάγωνη κεφαλή M6X40
- 16 Βίδες Allen M6X12
- 4 Τετραγωνισμένες βίδες 5X50
- 6 Παξιμάδι M6
- 4 Παξιμάδι M5
- 18 Επίπεδη ροδέλα Ø 6

- 2 Μεγάλες επίπεδες ροδέλες Ø 6
- 16 Ροδέλα ασφαλείας Ø 6
- 2 Κουμπιά ασφαλείας
- 1 Οδηγίες χρήσης
- 1 Εγγύηση

2. ΟΔΗΓΙΕΣ ΑΣΦΑΛΕΙΑΣ

Τεχνικές προδιαγραφές



Επισημαίνει την επικινδυνότητα τραυματισμού ατόμων, αφαίρεση ζωής ή την προκάλεση ζημιών σε ανταλλακτικά, σε περίπτωση που αθετήσετε το περιεχόμενο της οδηγίας.



Επισημαίνει την πιθανότητα τραυματισμού από το ηλεκτρικό ρεύμα.



Κίνδυνος ! Απομακρύνετε τα χέρια σας σε επιθυμητή απόσταση από το μέρος εκείνο του μηχανήματος που είναι σε κίνηση.



Χρησιμοποιείτε προστατευτικά ακοής.



Χρησιμοποιείτε προστατευτικά γυαλιά.



Χρησιμοποιείτε προστατευτική μάσκα (για τη σκόνη)

Πρόσθετες οδηγίες ασφαλείας

Η ασφάλεια είναι συνδυασμός της κοινής λογικής, διαρκείς επαγρύπνησης και γνώσης για το πως η επιτραπέζια φρέζα λειτουργεί. Διαβάστε αυτή την οδηγία για, να μπορέσετε να καταλάβετε πως λειτουργεί αυτή η φρέζα.

- Πάντοτε χρησιμοποιείτε προστατευτικά γυαλιά.
- Ο ήχος αλλάζει από μέρος σε μέρος. Για την ελαχιστοποίηση βλάβης από τον ήχο χρησιμοποιείτε προστατευτικά για τα αφτιά σας ή ωτοασπίδες, εφόσον χρησιμοποιείται τη φρέζα για μεγαλύτερο χρονικό διάστημα.
- Κατά την εργασίας σας, όταν δημιουργείται σκόνη, χρησιμοποιείτε παράλληλα προστατευτικά γυαλιά και μάσκα (για τη σκόνη).
- Οι χρήστες της φρέζας να τηρούν το

περιεχόμενο της οδηγίας.

- Προσοχή! Η δόνηση που προκαλείται από τη λειτουργία της φρέζας, μπορεί να χαλαρώσουν οι σφιγκτήρες. Πριν από τη χρησιμοποίηση και στη συνέχεια κάνετε τακτικό έλεγχο για τα μέρη εκείνα που χρειάζονται σύσφιξη, να είστε σίγουροι για την ασφάλειά τους και το σφίξιμό τους.
- Μη χρησιμοποιείται αυτή τη συσκευή, εφόσον δεν έχουν ολοκληρωθεί τα στάδια της συναρμολόγησης. Βεβαιωθείτε, ότι διαβάσατε και κατανόησατε όλα τα περιεχόμενα των οδηγιών ασφαλείας και των οδηγιών λειτουργίας σε αυτές τις οδηγίες καθώς και τις οδηγίες για τους χρήστες της φρέζας.
- Πριν από οποιαδήποτε κοπή ελέγξτε, εάν η βοηθητική φρέζα βρίσκεται στη σωστή θέση και καλά στερεωμένη στη φρέζα.
- Μη χρησιμοποιείτε το τραπέζι της φρέζας ως πάγκο εργασίας η επιφάνεια εργασίας. Μπορεί κατά αυτόν τον τρόπο να το χαλάσετε και να προκαλέσετε ατύχημα με τη χρησιμοποίηση της φρέζας. Για κάποια άλλη εργασία χρησιμοποιείτε πάγκο εργασίας...
- Αυτό το μηχάνημα έχει κατασκευαστεί για την κοπή επίπεδων αντικειμένων επεξεργασίας. Μην εργάζεστε με αντικείμενα επεξεργασίας, τα οποία δεν είναι επίπεδα και ευθεία, και μη το προσπαθείτε.
- Αυτό το προϊόν κατασκευάστηκε για την επεξεργασία ξύλινων αντικειμένων επεξεργασίας. Μη χρησιμοποιείτε το μηχάνημα για μεταλλικά αντικείμενα ή οποιαδήποτε άλλα εκτός από ξύλινα.
- Κατά την κοπή μεγάλων σε έκταση αντικειμένων επεξεργασίας, σας συνιστάμε η χρησιμοποίηση για τη εισαγωγή και εξαγωγή. Με άλλον τρόπο μπορεί να προκληθεί η ανατροπή του τραπεζιού της φρέζας.
- Προσπαθήστε να κρατάτε μακριά τα χέρια σας από το βοηθητικό της φρέζας ή από το χώρο εργασίας σας.
- Για την εισαγωγή μικρών αντικειμένων επεξεργασίας μέσα από το χώρο κοπής, χρησιμοποιείτε λαβίδα.
- Μετά από κάθε χρησιμοποίηση της φρέζας, καθαρίστε την. Σας συνιστάμε η χρησιμοποίηση υγρής ή στεγνής ηλεκτρικής ή αναρροφητικής σκούπας.
- Να ελέγχετε πάντοτε αν η επιφάνεια εργασίας σας είναι καθαρή χωρίς σκόνη, ροκανίδια και άλλων ξένων αντικειμένων, τα οποία μπορούν επηρεάζουν την κοπή, την οποία θέλετε να

τελέσετε. Σας συνιστούμε να χρησιμοποιήσετε υγρή ή στεγνή ηλεκτρική ή αναρροφητική σκούπα.

- Η περίφραξη, την οποία δημιουργεί από μόνο του το τραπέζι της φρέζας, έχει συλλέκτη σκόνης, στο οποίο μπορείτε να συνδέσετε την στεγνή ή υγρή ηλεκτρική σκούπα.
- Πριν από κάθε χρήση ελέγξτε τη λειτουργία του προστατευτικού κιγκλιδώματος. Αφαιρέστε όλη τη σκόνη, τα ροκανίδια και κάθε άλλο ξένο αντικείμενο, που μπορεί να επηρεάσει τη λειτουργία του.
- Προειδοποίηση! Ποτέ μη τοποθετείτε τα δάχτυλά σας πάνω από το προστατευτικό κιγκλιδώμα, όταν η φρέζα είναι συνδεδεμένη με το ηλεκτρικό ρεύμα ή όταν αρχίσει και περιστρέφεται.
- Το αντικείμενο της επεξεργασίας σας κινήστε το πάντοτε προς την αντίθετη μεριά από αυτή που μετακινείτε το βοηθητικό της φρέζας.
- Τα βοηθητικά της φρέζας είναι πολύ αιχμηρά, δώστε μεγάλη προσοχή όταν τα μεταχειρίζεστε ή όταν τα χρησιμοποιείτε.
- Ελέγξτε εάν τα χρησιμοποιούμενα βοηθητικά της φρέζας είναι αιχμηρά ή ωστόσο ακονισμένα. Αυτό σας εξασφαλίζει την ασφαλή, γρήγορη και αποτελεσματική χρησιμοποίηση της φρέζας.
- Μερικές φρέζες, όταν βρίσκονται σε θέση ανάποδη (π.χ. στο τραπέζι της φρέζας), θα πέσουν από τη βάση της φρέζας, όταν ο σφινκτήρας της βάσης χαλαρώσει κατά τη ρύθμιση του ύψους ή βάθους της κοπής. Είναι πολύ σημαντικό κατά τις ρυθμίσεις αυτές, ή οποτεδήποτε ο σφινκτήρας της βάσης χαλαρώσει, να στηρίξετε τη φρέζα από κάτω.
- Κατά την ενεργοποίηση ή απενεργοποίηση της φρέζας πάντοτε να κοιτάτε κάτω από το τραπέζι της φρέζας, το διακόπτη. Μην αγγίζετε παράλληλα τίποτα άλλο, εκτός από το διακόπτη. Όταν η φρέζα βρίσκεται σε λειτουργία, ποτέ μην ακουμπάτε το κάτω μέρος του τραπέζιού, εκτός από την απενεργοποίηση της.
- Προειδοποίηση! Πριν από οποιαδήποτε κοπή ελέγξτε, εάν η φρέζα είναι απενεργοποιημένη, το βοηθητικό της φρέζας δεν περιστρέφεται και το καλώδιο δεν είναι στη πρίζα. Μετά σιγουρευτείτε αν το πάνω κάλυμμα βρίσκεται σε απόσταση ασφαλείας από το βοηθητικό της φρέζας και από το αντικείμενο της επεξεργασίας σας. Σας συνιστούμε να μετακινήσετε δοκιμαστικά τη φρέζα όταν είναι

απενεργοποιημένη και με το βοηθητικό σε ακινησία.

- Προειδοποίηση! Ποτέ μην αφήνετε το τραπέζι της φρέζας χωρίς επίβλεψη, όταν η φρέζα είναι ενεργοποιημένη. Πριν απομακρυνθείτε από τη φρέζα για οποιοδήποτε λόγο, απενεργοποιήστε την.

Ηλεκτρική ασφάλεια



Πάντοτε ελέγξτε, αν η τάση του ηλεκτρικού ρεύματος είναι η ίδια με αυτήν που αναγράφεται στην τυπωμένη etiketa.

Αλλαγή του φις ή του καλωδίου

Αμέσως πετάξτε τα παλιά καλώδια ή φις, τα οποία αντικαταστάθηκαν από καινούρια. Είναι επικίνδυνο να τοποθετείτε το φις ελεύθερου καλωδίου στη πρίζα.

Η χρησιμοποίηση προέκτασης

Χρησιμοποιήστε μόνο γνήσια προέκταση, κατάλληλη για το μηχάνημα. Η ελάχιστη διατομή του οδηγού είναι 1,5 mm². Κατά τη χρησιμοποίηση του καλωδιακού πηνίου ξετυλίξτε εντελώς το πηνίο.

3. ΣΥΝΑΡΜΟΛΟΓΗΣΗ

Συναρμολόγηση του τραπέζιου της φρέζας Εικ. 1 - 13



Πριν από τη συναρμολόγηση του τραπέζιού ελέγξτε, Αν έχετε στη διάθεσή σας όλα τα απαραίτητα εξαρτήματα. Σε περίπτωση που κάτι λείπει, επικοινωνήστε με τα σέρβις, των οποίων οι διευθύνσεις αναγράφονται στο χαρτί της εγγύησης.

Κατά τη συναρμολόγηση του τραπέζιού της φρέζας ακολουθείτε τα εξής στάδια:

- Τοποθετήστε το επάνω μέρος του τραπέζιού (1, εικόνα 1) από την ανάποδη πλευρά σε επίπεδη επιφάνεια. (εικόνα 2).
- Συναρμολογήστε τα πόδια του τραπέζιού (2, εικόνα 1) με τη βοήθεια τεσσάρων βιδών με εξάγωνη κεφαλή (M6X12) και παξιμάδι (M6), αλλά προς το παρόν τίποτα μη σφίγγετε (εικόνα 3).
- Επαναλαμβάνετε το ίδιο και για τα υπόλοιπα τρία πόδια και κάνετε έλεγχο, εάν τα πόδια

βρίσκονται σε μια ευθεία. Στη συνέχεια σφίγγετε όλες τις βίδες.

- Μετά το σφίξιμο των τεσσάρων ποδιών, αναποδογυρίστε το τραπέζι και ελέγξτε, εάν είναι σταθερό. Αν δεν είναι σταθερό, θα πρέπει πριν οποιαδήποτε εργασία να διορθώσετε τα χαλαρωμένα πόδια με την απαραίτητη ρύθμιση.
- Τοποθετήστε δύο τετράγωνης κεφαλής βίδες (M5X50) από την πάνω πλευρά του τραπεζιού στο άνοιγμα που έχει επισημανθεί με το γράμμα "B" (εικόνα 4).
- Μέσω βιδών με εξαγωνικό κεφάλι, ροδέλες και κουμπιά στερεώστε την περίφραξη (9, σελ. 1). Βάλτε τις βίδες από το κάτω μέρος του τραπεζιού δια μέσου τις τρύπες σημαδεμένες „A" (εικ. 5). Θέστε την περίφραξη στις βίδες και ασφαλίστε τη θέση της με τις ροδέλες και τα κουμπιά.

ΣΗΜΕΙΩΣΗ: Για την ορθή ευθυγράμμιση της περίφραξης χρησιμοποιήστε το γωνιόμετρο.

- Θέστε την πλάκα σφίξιματος (7, εικ. 1), με ακόλουθο τρόπο:
 - Χαλαρώστε την σφυρηλασία στον οδηγό της πλάκας σφίξιματος (6, εικ. 1).
 - Θέστε δυο βίδες επιστροφής (M6X25) στην τρύπα πάνω στον οδηγό της πλάκας σφίξιματος (6, εικ. 6).
 - Θέστε τον οδηγό της πλάκας σφίξιματος της περίφραξης στην κορυφή της περίφραξης και σιάξτε τις δυο τρύπες με τις δυο τρύπες στην περίφραξη, μετά βάλτε δυο βίδες (M6X25) στις τρύπες και ασφαλίστε τη θέση με παξιμάδια (εικ. 7).
 - Ωθήστε τις δυο μπροστινές περιφράξεις, για να έχετε περισσότερο χώρο για την πλάκα σφίξιματος της περίφραξης, μετά βάλτε την πλάκα σφίξιματος της περίφραξης σε δυο βίδες και τη ασφαλίστε τη θέση με ροδέλες και κουμπιά ασφάλισης (εικ. 8 και εικ. 9).
- Βάλτε την περιστροφική πλάκα του τραπεζιού (3, εικ. 1), έτσι:
 - Χαλαρώστε ότι υπάρχει στην πλάκα σφίξιματος του τραπεζιού.
 - Χαλαρώστε τις δυο βίδες στον οδηγό της πλάκας σφίξιματος του τραπεζιού (8, εικ. 1) και σιάξτε τις δυο τρύπες στον οδηγό της πλάκας σφίξιματος του τραπεζιού με τις δυο τρύπες στο μπροστινό πλευρικό

χώρισμα, μετά βάλτε στις τρύπες δυο βίδες και ασφαλίστε τη θέση με παξιμάδι (εικ. 10).

- Τοποθετήστε δυο τετράγωνης κεφαλής βίδες (M6X25) στις τρύπες του οδηγού της συμπιεστικής πλάκας του τραπεζιού και βάλτε σ' αυτές την συμπιεστική πλάκα του τραπεζιού. Ασφαλίστε τη θέση με ροδέλες και ασφαλιστικά κουμπιά (εικ.. 11 και εικ.. 12)
- Βάλτε το κιβώτιο σύνδεσης (5, εικ. 1), ως παρακάτω:
 - Σιάξτε τις δυο τρύπες στο κιβώτιο σύνδεσης με τις τρύπες στη μπροστινή πλευρά του τραπεζιού.
 - Τοποθετήστε στις δυο τρύπες δυο σταυρωτές βίδες απ' το μπροστινό μέρος του τραπεζιού και ασφαλίστε τις με δυο παξιμάδια (εικ.. 13).

Συναρμολόγηση της φρέζας

Εικ.14 - 16

Προσθέστε τη φρέζα στο τραπέζι με τον ακόλουθο τρόπο:

- Χαλαρώστε τα κουμπιά, τα οποία κρατούν την περίφραξη και ωθήστε την όσο και πιο μπροστά. Θα περιορίσει τις βίδες επιστροφής της φρέζας (M5X50) να πέσουν από το τραπέζι, όταν το τραπέζι θα αναποδογυριστεί.
- Αναποδογυρίστε το τραπέζι προσεχτικά και τοποθετήστε το σε κατάλληλους μεγάλους τάκους η παρόμοια υποστύλωματα (εικ. 14)
- Βάλτε τη φρέζα από το κάτω μέρος του τραπεζιού όσο πιο ακριβώς στη μέση. Στις τρύπες σημαδεμένες "C" βάλτε απ' το πάνω μέρος του τραπεζιού δυο βίδες (εικ. 4), τώρα από κάτω (εικ.. 15).
- Ασφαλίστε τη φρέζα ελαφρά με 4 βίδες (εικ. 16). Ίσως να χρειαστεί η περιστροφή τις φρέζας για να εγκατασταθούν όλες οι βίδες κανονικά. Εάν η φρέζα εξοπλισμένη με ρύθμιση της ταχύτητας, δοκιμάστε να τοποθετήστε τη ρύθμιση της ταχύτητας εκεί, όπου θα είναι προσιτή μπροστά από το τραπέζι. Μετά την εγκατάσταση της φρέζας στην απαιτούμενη θέση σφίξτε επαρκώς τις 4 βίδες, να περιοριστεί η κίνηση της φρέζας κατά τη λειτουργία.
- Βάλτε το φινις της φρέζας στην πρίζα στο κιβώτιο του διακόπτη.



Η παρόν επιτραπέζια φρέζα είναι μόνο για φρέζες διαμέτρου της βασικής πλάκας 162 mm.

- Η επιτραπέζια φρέζα σας είναι τώρα εντελώς συναρμολογημένη και έτοιμη για χρησιμοποίηση.

4. ΛΕΙΤΟΥΡΓΙΑ



Κατά τη ρύθμιση κτλ. πάντα εξασφαλίστε, η φρέζα να είναι αποσυνδεδεμένη από την ηλεκτρική τροφοδότηση και το φως βγαλμένο από την πρίζα.

ΠΑΡΑΤΗΡΗΣΗ.: Κατά τη ρύθμιση του ύψους, ταχύτητας κτλ. τηρείτε πάντα τις οδηγίες στο εγχειρίδιο της φρέζας.

Εγκατάσταση των προσθημάτων εργασίας

Για την εγκατάσταση των προσθημάτων εργασίας, όταν η φρέζα είναι στο τραπέζι, η φρέζα πρέπει να κινητοποιηθεί. Διαλέξτε το απαιτούμενο πρόσθημα και τοποθετήστε το. Θέστε το ένθετο του τραπέζιού του κοντινότερου μέγιστου του πρόσθετου έτσι, ώστε το πρόσθετο να μην ακουμπάει το πρόσθημα.

Ρύθμιση του ύψους

Σηκώστε τη φρέζα έτσι, ώστε το πρόσθετο να προεξέχει πάνω απ' το τραπέζι. Στο απαιτούμενο ύψος, σε ένα απόκομμα ξύλου εκτελέστε δοκιμαστικό κόψιμο για την ακριβή ρύθμιση.

Ρύθμιση της περιφραξης

Χαλαρώστε τα δυο κουμπιά, τα οποία κρατούν την περιφραξη και ρυθμίστε την όπως χρειάζεται. Για την παράλληλη ρύθμιση της περιφραξης χρησιμοποιείστε σημάδια απόστασης. Στο απαιτούμενο ύψος, σε ένα απόκομμα ξύλου εκτελέστε δοκιμαστικό κόψιμο για την ακριβή ρύθμιση.

Συμπιεστική πλάκα

Ρυθμίστε την συμπιεστική πλάκα της περιφραξης έτσι, ώστε κατά την τόρευση να κρατάει το κομμάτι ξύλου στο τραπέζι επίπεδα και έναντι της περιφραξης. Προς αυτό τοποθετήστε ένα κομμάτι ξύλου έναντι της περιφραξης και υπό την κατάλληλη πλάκα, η οποία θα ρυθμιστεί.. Χαλαρώστε τα δυο ασφαλιστικά κουμπιά και αφήστε την πλάκα να ακουμπήσει στο ξύλο. Μετά πατήστε ακόμη την πλάκα κάτω, να δημιουργεί

πίεση στο ξύλο έναντι του τραπέζιού. Ρυθμίστε την πλάκα του τραπέζιού με ίδιο τρόπο, ώστε να κρατάει το ξύλο σταθερά έναντι της περιφραξης.

Πρόσθετη περιφραξη

Ρυθμίστε την πρόσθετη περιφραξη για την στήριξη του ξύλου κατά την κοπή ολόκληρου του πάχους. Ρυθμίστε το βάθος της κοψιάς κτλ., όπως περιγράφεται άνω ωθήστε το κομμάτι ξύλου στη μηχανή, μέχρι τότε η μπροστινή άκρη περάσει πάνω απ' την πρόσθετη περιφραξη περίπου για 25 χιλιοστά. Διακόψτε τη μηχανή και αποσυνδέστε την από την τροφοδότηση. Κρατήστε το ξύλο σταθερά έναντι της περιφραξης, χαλαρώστε το κουμπί σύσφιξης της πρόσθετης περιφραξης, ωθήστε την πρόσθετη περιφραξη προς το ξύλο, μέχρι να το ακουμπήσει και σφίξτε το κουμπί σύσφιξης. Μέχρι τότε συνδέστε τη μηχανή και θα συνεχίσετε την τόρευση, βγάλε το κομμάτι που επεξεργάζεται έξω από τη φρέζα.



Όπως σε όλα τα ηλεκτρικά όργανα, προπαντός σ' αυτά με φρέζες και μαχαιρία, κατά την εργασία με μικρά κομμάτια μη πηλαζάτε τα δάχτυλα και τα χέρια προς τα μαχαιρία και χρησιμοποιείστε για το σπρώξιμο ράβδους.

Τράβηγμα της σκόνης

Εικ. 17

Η επιτραπέζια φρέζα είναι εξασφαλισμένη με εξοπλισμό τραβήγματος της σκόνης. Όπου μπορεί στον έξοδο του πίσω μέρους του τραπέζιού να συνδεθεί υπό πιεστικό τράβηγμα της σκόνης, χρησιμοποιήστε τον προμηθευμένο προσαρμοστή. Το λάστιχο σύνδεσης πρέπει να έχει εσωτερικό διάμετρο 34 mm, να συμφωνάει με τον προμηθευμένο προσαρμοστή. Μη ξεχνάτε όμως, ότι αυτό δεν απαλλάσσει τον χρήστη να χρησιμοποιεί μάσκα του προσώπου για τον περιορισμό αναπνοής της σκόνης.

5. ΣΥΝΤΗΡΗΣΗ



Κατά την πραγματοποίηση της συντήρησης κτλ. εξασφαλίστε πάντα η φρέζα να είναι αποσυνδεδεμένη από την τροφοδότηση τραβώντας το φως από την πρίζα.

Η μηχανή είναι κατασκευασμένη για λειτουργία μακρόχρονα με ελάχιστη συντήρηση. Διαρκείς ικανοποιητική λειτουργία εξαρτάται από την

σωστή φροντίδα για τη μηχανή και τον ταχτικό του καθαρισμό.

Καθαρισμός

Διατηρείτε τους σχισμούς αερισμού της μηχανής καθαρούς, να περιοριστεί η υπερθέρμανση του κινητήρα. Καθαρίζετε ταχτικά τα καλύμματα της μηχανής με μαλακό πανί, προπαντός μετά κάθε χρήση. Διατηρείτε τους σχισμούς αερισμού δίχως σκόνη και ακαθαρσίες. Αν η ακαθαρσία δεν απαλλάσσεται, χρησιμοποιήστε μαλακό πανί μουσκεμένο σε νερό με σαπούνι. Ποτέ μη χρησιμοποιείτε διαλυτικά, όπως βενζίνη, αλκοόλ, αμμώνιο νερό κτλ., επειδή θα μπορούσαν να βλάψουν τα πλαστικά εξαρτήματα.

Λάδωμα

Η μηχανή αυτή δεν χρειάζεται επιπρόσθετο λάδωμα.

Ελαττώματα

Αν παρουσιαστεί ελάττωμα, π.χ. από την φθορά εξαρτήματος, συνδεθείτε με το σέρβις, τη διεύθυνση του οποίου θα τη βρείτε στην κάρτα εγγύησης. Στο πίσω τμήμα της παρόν οδηγίας θα βρείτε λεπτομερειακή όψη των εξαρτημάτων, τα οποία μπορείτε να παραγγείλετε.

Το περιβάλλον

Να περιοριστεί το βλάψιμο κατά τη μεταφορά, προμηθεύεται το μηχάνημα καλυμμένο σε ασφαλής κάλυμμα. Το κάλυμμα συνθέτεται από παρακάτω χρησιμοποιήσιμο υλικό. Εκμεταλλευτείτε τη δυνατότητα ανακύκλωσης του καλύμματος.

Εγγύηση

Τους όρους εγγύησης θα τους βρείτε στην προμηθευμένη κάρτα εγγύησης.







DECLARATION OF CONFORMITY

PRA1011 - ROUTER TABLE

- (EN) We declare under our sole responsibility that this product is in conformity with directive 2011/65/EU of the European parliament and of the council of 9 June on the restriction of the use of certain hazardous substances in electrical and electronic equipment is in conformity and accordance with the following standards and regulations:
- (DE) Der Hersteller erklärt eigenverantwortlich, dass dieses Produkt der Direktive 2011/65/EU des Europäischen Parlaments und des Rats vom 8. Juni 2011 über die Einschränkung der Anwendung von bestimmten gefährlichen Stoffen in elektrischen und elektronischen Geräten entspricht, den folgenden Standards und Vorschriften entspricht:
- (NL) Wij verklaren onder onze volledige verantwoordelijkheid dat dit product voldoet aan de conform Richtlijn 2011/65/EU van het Europees Parlement en de Raad van 8 juni 2011 betreffende beperking van het gebruik van bepaalde gevaarlijke stoffen in elektrische en elektronische apparatuur en in overeenstemming is met de volgende standaarden en reguleringen:
- (FR) Nous déclarons sous notre seule responsabilité que ce produit est conforme aux standards et directives suivants: est conforme à la Directive 2011/65/EU du Parlement Européen et du Conseil du 8 juin 2011 concernant la limitation d'usage de certaines substances dangereuses dans l'équipement électrique et électronique.
- (ES) Declaramos bajo nuestra exclusiva responsabilidad que este producto cumple con las siguientes normas y estándares de funcionamiento: se encuentra conforme con la Directiva 2011/65/UE del Parlamento Europeo y del Consejo de 8 de junio de 2011 sobre la restricción del uso de determinadas sustancias peligrosas en los equipos electrónicos y electrónicos.
- (PT) Declaramos por nossa total responsabilidade-de que este produto está em conformidade e cumpre as normas e regulamentações que se seguem: está em conformidade com a Directiva 2011/65/EU do Parlamento Europeu e com o Conselho de 8 de Junho de 2011 no que respeita à restrição de utilização de determinadas substâncias perigosas existentes em equipamento eléctrico e electrónico.
- (IT) Dichiariamo, sotto la nostra responsabilità, che questo prodotto è conforme alle normative e ai regolamenti seguenti: è conforme alla Direttiva 2011/65/UE del Parlamento Europeo e del Consiglio dell'8 giugno 2011 sulla limitazione dell'uso di determinate sostanze pericolose nelle apparecchiature elettriche ed elettroniche.
- (SV) Vi garanterar på eget ansvar att denna produkt uppfyller och följer följande standarder och bestämmelser: uppfyller direktiv 2011/65/EU från Europeiska parlamentet och EG-rådet från den 8 juni 2011 om begränsningen av användning av farliga substanser i elektrisk och elektronisk utrustning.
- (FI) Vakuutamme yksinomaan omalla vastuullamme, että tämä tuote täyttää seuraavat standardit ja säädökset: täyttää Euroopan parlamentin ja neuvoston 8. kesäkuuta 2011 päivätyn direktiivin 2011/65/EU vaatimukset koskien vaarallisten aineiden käytön rajoitusta sähkö- ja elektronisissa laitteissa.
- (NO) Vi erklærer under vårt eget ansvar at dette produktet er i samsvar med følgende standarder og regler: er i samsvar med EU-direktiv 2011/65/EU fra Europa-parlamentet og Europa-rådet, pr. 8 juni 2011, om begrensning i bruken av visse farlige stoffer i elektrisk og elektronisk utstyr.
- (DA) Vi erklærer under eget ansvar, at dette produkt er i overensstemmelse med følgende standarder og bestemmelser: er i overensstemmelse med direktiv 2011/65/EU fra Europa-Parlamentet og Rådet af 8. juni 2011 om begrænsning af anvendelsen af visse farlige stoffer i elektrisk og elektronisk udstyr.
- (HU) Felelősségünk teljes tudatában kijelentjük, hogy ez a termék teljes mértékben megfelel az alábbi szabványoknak és előírásoknak: je v souladu se směrnicí 2011/65/EU Evropského parlamentu a Rady EU ze dne 8. června 2011, která se týká omezení použití určitých nebezpečných látek v elektrických a elektronických zařízeních.
- (CZ) Na naši vlastní zodpovědnost prohlašujeme, že je tento výrobek v souladu s následujícími standardy a normami: je v souladu s normou 2011/65/EU Evropského parlamentu a Rady z 8. júna 2011 týkajúcej sa obmedzenia používania určitých nebezpečných látok v elektrickom a elektronickom vybavení.
- (SK) Vyhlásujeme na našu výhradnú zodpovednosť, že tento výrobok je v zhode a súlade s nasledujúcimi normami a predpismi: je v súlade s normou 2011/65/EU Európskeho parlamentu a Rady z 8. júna 2011 týkajúcej sa obmedzenia používania určitých nebezpečných látok v elektrickom a elektronickom vybavení.
- (SL) S polno odgovornostjo izjavljamo, da je ta izdelek v skladu in da odgovarja naslednjim standardom ter predpisom: je v skladu z direktivo 2011/65/EU Evropskega parlamenta in Sveta z dne 8. junij 2011 o omejevanju uporabe določenih nevarnih snovi v električni in elektronski opremi.
- (PL) Deklarujemy na własną odpowiedzialność, że ten produkt spełnia wymogi zawarte w następujących normach i przepisach: jest zgodny z Dyrektywą 2011/65/UE Parlamentu Europejskiego i Rady z dnia 8 czerwca 2011 r. w sprawie ograniczenia stosowania niektórych niebezpiecznych substancji w sprzęcie elektrycznym i elektronicznym.
- (LT) Prisiimdam visą atsakomybę deklaruojame, kad šis gaminyb atitinka žemiau paminėtus standartus arba nuostatus: atitinka 2011 m. birželio 8 d. Europos Parlamento ir Tarybos direktyvą 2011/65/EB dėl tam tikrų pavojingų medžiagų naudojimo elektros ir elektroninėje įrangoje apribojimo.
- (LV) Ir atbilstoši Eiropas Parlamenta un Padomes 2011. gada 8. jūnija Direktīvai 2011/65/ES par dažu bīstamu vielu izmantošanas ierobežošanu elektriskās un elektroniskās iekārtās.
- (ET) Apgalvojam ar visu atbildikku, ka šis produkti ir saskaņā un atbilst sekojošiem standartiem un nolikumiem: ir atbilstoši Eiropas Parlamenta un Padomes 2011. gada 8. jūnija Direktīvai 2011/65/ES par dažu bīstamu vielu izmantošanas ierobežošanu elektriskās un elektroniskās iekārtās.
- (RO) Declaram prin aceasta cu raspunderea deplină că produsul acesta este în conformitate cu următoarele standarde sau directive: este în conformitate cu Directiva 2011/65/UE a Parlamentului European și a Consiliului din 8 iunie 2011 cu privire la interzicerea utilizării anumitor substanțe periculoase la echipamentele electrice și electronice.
- (HR) Izjavljujemo pod vlastitom odgovornošću da je strojem ukladan sa slijedešim standardima ili standardiziranim dokumentima i u skladu sa odredbama: usklađeno s Direktivom 2011/65/EU europskog parlamenta i vijeća izdanom 8. lipnja 2011. o ograničenju korištenja određenih opasnih tvari u električnoj i elektroničkoj opremi.
- (SRL) Pod punom odgovornošću izjavljujemo da je usaglašen sa sledećim standardima ili normama: usaglašen sa direktivom 2011/65/EU Evropskog parlamenta i Saveta od 8.juna.2011. godine za restrikciju upotrebe određenih opasnih materija u električnoj i elektronskoj opremi.
- (RU) Под свою ответственность заявляем, что данное изделие соответствует следующим стандартам и нормам: соответствует требованиям Директивы 2011/65/EU Европейского парламента и совета от 8 июня 2011 г. по ограничению использования определенных опасных веществ в электрическом и электронном оборудовании
- (UK) На свою власну відповідальність заявляємо, що дане обладнання відповідає наступним стандартам і нормативам: задовольняє вимоги Директиви 2011/65/СЄ Європейського Парламенту та Ради від 8 червня 2011 року на обмеження використання деяких небезпечних речовин в електричному та електронному обладнанні.
- (EL) Δηλώνουμε υπεύθυνα ότι το προϊόν αυτό συμφάνει και τπρεί τους παρακάτω κανονισμούς και πρότυπα: συμμορφώνεται με την Οδηγία 2011/65/ΕΕ του Ευρωπαϊκού Κοινοβουλίου και του Συμβουλίου της 8ης Ιουνίου 2011 για τον περιορισμό της χρήσης ορισμένων επικίνδυνων ουσιών σε ηλεκτρικό και ηλεκτρονικό εξοπλισμό.

EN61029-1

2014/35/EU, 2012/19/EU, 2011/65/EU

Zwolle, 01-04-2016

H.G.F. Rosberg
CEO Ferm B.V.

Ferm BV • Lingenstraat 6 • 8028 PM • Zwolle The Netherlands

Spare parts list

No.	Description	Position
400750	Leg complete	1 till 7
400759	Switch	12
400752	Guide set	16, 25
400753	Holder for guide	17
400754	Knob small	19
400755	Flat washer	20
400756	Knob big	21
400757	Inlay (5 pcs.)	27

Exploded view

