

# FERM®

## POWER ARC WELDER 40-100A

POWER SINCE 1965



<b>EN</b> Original instructions	03	<b>HU</b> Eredeti használati utasítás fordítása	79
<b>DE</b> Übersetzung der Originalbetriebsanleitung	09	<b>CS</b> Překlad původního návodu k používání	86
<b>NL</b> Vertaling van de oorspronkelijke gebruiksaanwijzing	17	<b>SL</b> Preklad pôvodného návodu na použitie	92
<b>FR</b> Traduction de la notice originale	24	<b>PL</b> Tłumaczenie instrukcji oryginalnej	99
<b>ES</b> Traducción del manual original	31	<b>RU</b> Перевод исходных инструкций	106
<b>PT</b> Tradução do manual original	38	<b>BG</b> Оригинална инструкция	114
<b>IT</b> Traduzione delle istruzioni originali	46		
<b>SV</b> Översättning av bruksanvisning i original	53		
<b>FI</b> Alkuperäisten ohjeiden käännös	59		
<b>NO</b> Oversatt fra original veiledning	66		
<b>DA</b> Oversættelse af den originale brugsanvisning	72		

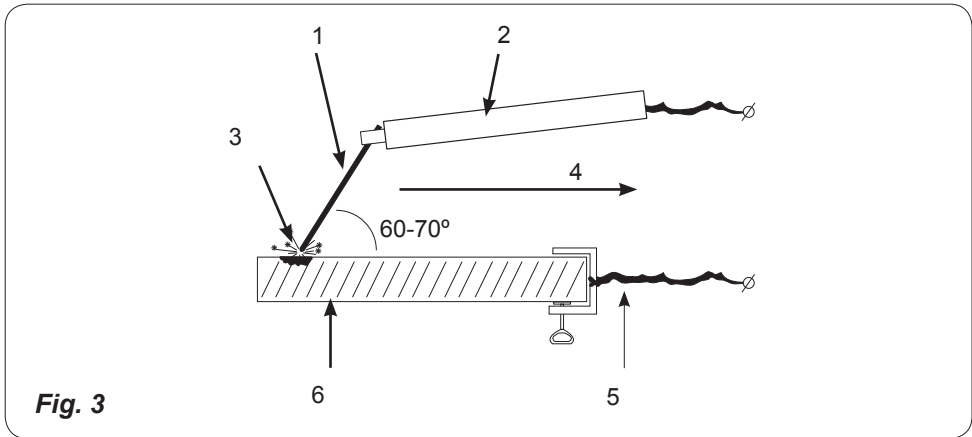
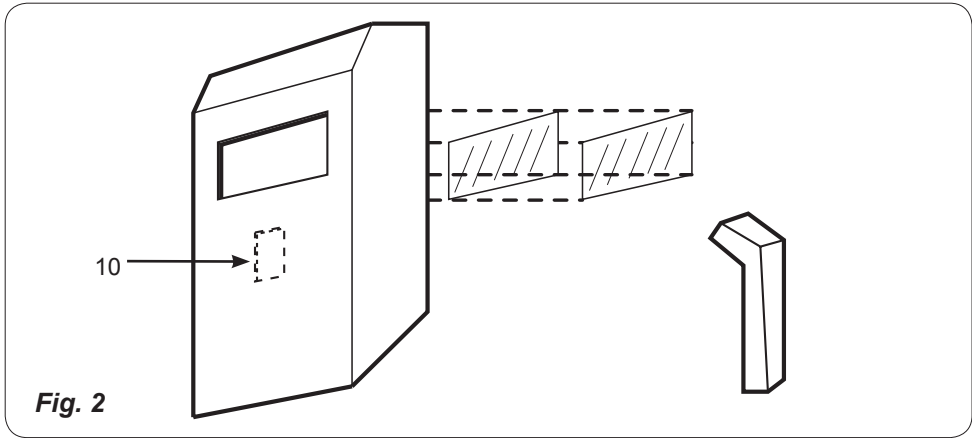
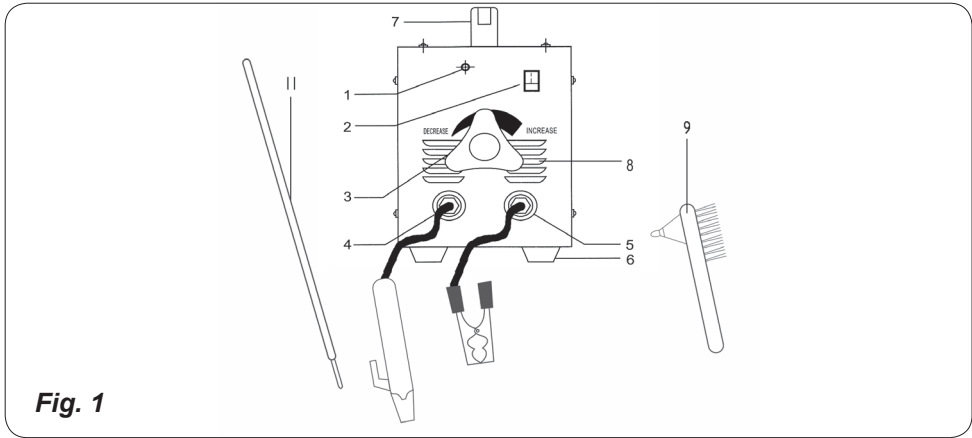
[WWW.FERM.COM](http://WWW.FERM.COM)

FACTORY QS TESTED

CE

WEM1042





## ARC WELDER

*The numbers in the following text refer to the picture on page 2 + 109*



*Read the operating instructions carefully before using this device. Familiarise yourself with its functions and basic operation. Service the device as per the instructions to ensure that it always functions properly. The operating instructions and the accompanying documentation must be kept in the vicinity of the device.*

### Introduction

The fusion welding process is used to melt the workpiece material under the influence of heat supplied. With electrical arc welding use is also made of welding material (electrodes). The weld originates after solidification.

The heat required is obtained by maintaining an electrical arc between the electrode and workpiece. The welding process requires a strong current (40-100 A) with a relatively low voltage (10-48 V). A transformer in the welding appliance ensures the lowering of the mains voltage (230 V).

The device is not suitable for commercial use!

### Contents

1. Machine information
2. Safety instructions
3. Mounting accessories
4. Operation
5. Service & maintenance

## 1. Machine information

### Technical specifications

Voltage	230 V ~
Frequency	50 Hz
Welding power	40-100 A
Ignition voltage	≤ 48 V
Electrode thickness	1.6 - 2.5 mm
Weight	13.2 kg
Dimensions	290x195x170 mm
Thermal protection	100°C ± 5°C
Power cable	H07RN-F, 3G x 1.5 mm <sup>2</sup>
Welding cable	H01N2-D1 x 10 mm <sup>2</sup>

### Contents of packing

- 1 Welding appliance
- 1 Welding mask
- 1 Wire brush/scaling hammer
- 1 User Manual
- 1 Safety instructions
- 1 Guarantee card

Check the machines, loose parts and accessories for transport damage.

### Product information

#### Fig. 1

1. Indicator lamp temperature
2. On/off switch
3. Rotary knob for setting current intensity
4. Welding cable with electrode holder
5. Earth cable with fixture
6. Rubber cap
7. Handle
8. Ventilation slots
9. Wire brush /scaling hammer
10. Welding mask
11. Electrodes

### Table: setting and use

Ø Electrode (mm)	Current intensity (A)	Suitable for, among others:
1.6	45-55	Material thickness ≤ 2 mm Repairing of moped/bicycle
2	50-75	Material thickness 2-3 mm Repairing of wall stand
2.5	70-100	Material thickness 4-5 mm Garden fence, garden toys
3.2	95-150	Material thickness 6-7 mm Carport, garage
4	130-220	Material thickness 8-12 mm Construction (heavy)
5	190-250	Material thickness ≥ 12 mm Construction (very heavy)

## 2. Safety instructions

### Explanation of the symbols



Caution! Read instruction manual



Denotes risk of personal injury, loss of life or damage to the tool in case of non-observance of the instructions in this manual.



Indicates electrical shock hazard.



Immediately unplug the plug from the mains electricity in the case that the cord gets damaged and during maintenance.



Keep bystanders away.



Do not expose in rain



Wear ear and eye protection.



Wear protective gloves.



Always use a welding mask during welding



Wear protecting clothes

**EN60974-6** Standard for welding appliances for manual metal arc welding with limited duty.



Electrode holder



Earth terminal



Falling voltage



Single-phase transformer



Supply circuit, number of phases (for example 1 or 3), symbol for alternating current and the rated frequency (for example 50 Hz or 60 Hz)



Electrode diameter



Fusing 16A



Maximum effective supply current



Secondary current intensity in Ampere



Rated maximum welding time in intermittent mode



Rated maximum welding time in continuous mode

**IP21S** Protection class. Sealed for objects up to 12 mm and against perpendicular falling drip water. Stoppage with water control.



Insulation class



Open voltage in Volts



Mains voltage in Volts



Values of the conventional load voltage

EMC classification in accordance with IEC 60974-10

### General safety instructions for welding appliances

- The user of the machine must have been instructed how to use and operate the machine.
- Ensure a well-illuminated and tidy working environment.
- Always remove the plug from the plug socket before carrying out maintenance on the machine.
- Remove the plug from the plug socket when you leave the machine.
- Do not use the machine before you have fully assembled and installed the machine as described in the manual.

### Specific safety instructions for welding appliance

- Risk of electric shock: Electric shock from welding electrode can kill. Do not weld in the rain or snow. Wear dry insulating gloves. Do not touch electrode with bare hands. Do not wear wet or damaged gloves. Protect yourself from electric shock by insulating yourself from work piece. Do not open the equipment enclosure.
- Risk induced by welding fumes: Breathing welding fumes can be hazardous to your health. Keep your head out of the fumes. Use equipment in an open area. Use ventilating fan to remove fumes.
- Risk induced by welding sparks: Welding sparks can cause explosion or fire. Keep

flammables away from welding. Don't weld near flammables. Welding sparks can cause fires. Have a fire extinguisher nearby and have a watch person ready to use it. Do not weld on drums or any closed containers.

- Risk induced by the arc: Arc rays can burn eyes and injure skin. Wear hat and safety glasses. Use ear protection and button shirt collar. Use welding helmet with correct shade of filter. Wear complete body protection.
- Risk induced by electromagnetic fields: Welding current produces electromagnetic field. Do not use with medical implants. Never coil welding cables around your body. Route the welding cables together.
- Welding causes sparks and hot metal. Remember that this is a fire hazard, and remove all flammable objects from the working environment.
- Ensure good ventilation in the working environment. Gases are released when welding that are a danger to your health.
- Do not weld containers or pipes that contain or have contained flammable liquids or gases (danger of fire or explosion).
- Do not weld materials that have been cleaned with highly flammable liquids or that have painted surfaces (likelihood of the release of dangerous gases).
- Do not work in a humid or wet environment and do not weld in the rain.
- Always protect your eyes with the welding mask supplied.
- Use gloves and protective clothing that are dry and not drenched in oil or dirt.
- The slag to be chipped off is sometimes glowing hot and can cause serious eye injuries during removal. Always wear protective goggles and gloves.
- Ultraviolet radiation can burn your skin during welding. So always wear suitable protective clothing.
- Your welding appliance is protected against overloading. The welding appliance therefore automatically switches off if it overloads. The welding appliance automatically switches on again after it has cooled sufficiently.
- During welding and cooling your workpiece can deform due to stresses. Always bear this in mind.
- Only the welding cables included in the delivery kit may be used ( $\varnothing$  10 mm<sup>2</sup> rubberized welding cable).
- Special regulations apply to areas at risk of

fire or explosions.

- Welded connections that are exposed to high stress and which must fulfill certain safety requirements may only be carried out by specially trained and certified welders. Some examples are: Pressure vessels, slide rails, tow couplings, etc.
- Important: Always connect the ground terminal as close as possible to the weld spot in such a way that the welding current can take the shortest possible path from the electrode to the ground terminal. Never connect the ground terminal to the housing of the welding device! Never connect the ground terminal to grounded components that are located far away from the workpiece, e.g., to a water pipe in another corner of the room. Otherwise, the protective conductor system of the room in which you are welding could become damaged.
- The fusing of the supply lines to the power outlets must correspond to regulations (VDE 0100). Protective contact outlets may be fused with a max of 16A (types and technical data: RT14-20,  $\varnothing$  10 x 38, AC 400 V 16A. IEC 60269. slow blow. Manufacturer: Chint) (fuses or line-protection switches). Higher amperage fuses can lead to burnt cables or fire damage to the building.

### Electrical safety



Switch off the machine at once if:

- There is a defect in the mains plug, power cable or there is damage to the cable.
- Defective switch.
- You see smoke or smell burnt insulation.



*Warning! Depending on the supply mains conditions at the point of connection, the welding power source may cause interference to the supply to other electricity users. If there is any doubt about this question advice should be sought from the electricity supply authority.*

- Make sure that the welding appliance and electric wiring connections are properly made. Any likelihood of electric shock can endanger life.
- Always ensure good connections, both of the

electrode holder and the earth terminal.

- Do not allow electrical cables to be damaged by pulling. Disconnect cables before you move the welding appliance.
- Avoid contact with the electrically conductive part of the welding appliance, the electrode holder and the earth terminal.
- Always check that your mains voltage corresponds to the value on the type plate of the machine.
- With the replacement of cables or plugs: Throw away old cables or plugs as soon as they have been replaced by new ones. Inserting a loose cable plug in a plug socket is dangerous.
- For all welding appliances working on 230 Volts use at least 16 Ampere fusing
- When use is made of extension leads: Use only an approved extension lead that is suitable for the machine power. The cores must have a diameter of at least 1.5 mm<sup>2</sup>. Roll the cord fully out if the extension cord is on a reel.
- Only allow qualified electricians to work on the supply voltage end, e.g., on cables, plug-in connectors, outlets, etc.

### 3. Mounting accessories



*Make sure that the plug has been removed from the plug socket during the assembly of accessories.*

#### Installation of the machine

- Install the welding appliance in a dry and clean space (free of iron powder, dust and paint).
- Place the welding appliance on a firm and flat surface and at least 20 cm from the wall.
- Protect the welding appliance against rain and strong sunlight.

#### The welding mask

##### Fig. 2

- Slide the handle on the welding mask until it locks.
- Place the light glass (protective glass) in front of the dark welding glass. Slide both glasses in front of the opening.
- Make sure that the glasses are positioned so that no (harmful) light can now penetrate the opening.
- Replace the light protective glass when the view of the workpiece becomes insufficient during welding. Replacing the dark welding

glass is considerably more expensive than replacing the light protective glass.

#### Fitting new electrodes

The electrode consists of a metal core enclosed by a coating. At one end of the electrode the core is not covered by the coating.

- Press the handle of the electrode holder against the spring.
- Place an electrode with uncoated end ( $\pm 2$  cm) in the electrode holder. Make sure that the non-coated part makes good contact with the metal part of the electrode holder (electrode not pushed too far in the electrode holder).
- Release the handle of the grip. The electrode is now fixed.



*N.B! Do not allow the electrode to burn to lengths shorter than  $\pm 5$  cm because of overheating and/or the deformation of the electrode holder. The burnt up electrode will then be difficult to remove.*

#### Removing used electrodes

Press the grip of the electrode holder against the spring so that the burnt up electrode can fall from the holder.



*N.B! Do not remove the electrode from the holder by hand. The electrode is very hot!*



*N.B! Watch where the waste electrode falls to prevent a fire hazard and possible injury.*

### 4. Operating

#### Before use:

- General information about electric arc welding
- The electrode
- Protective clothing
- Face protection
- Working environment

#### a. General information about electric arc welding

The temperature of the arc amounts to approx. 7000° Celsius, so the end of the electrode and the workpiece fuse. For as long as the arc is maintained, the electrode will melt and supply the necessary welding material to the parts to be

joined. The distance between the electrode and the workpiece must be as short as possible (approx. 1.5 - 4 mm) depending on the diameter and type of electrode. The current needed for welding is supplied by the welding appliance. The power required by the welding appliance depends on the work to be done. Make sure that the electrodes are completely dry, as moist electrodes cause problems. If the electrode sticks to the workpiece during welding your current intensity is set too low.

#### b. The electrode

- The electrode consists of a metal core enclosed by a coating. The coating has the most important purpose of protecting the welding pool and the transferring droplets against oxygen and nitrogen in the surrounding air. The electrode melts during welding. A part of the coating vaporises so a protective gaseous shield originates. part of the coating floats on the welding pool (it is lighter than steel) and also protects the cooling weld. After cooling this coating becomes a solid but easily removable slag on the welded joint.
- Handle the electrodes with care so the coating is not broken. Make sure that the electrodes are thoroughly dry, so store them in a moisture-free place.
- It is of great importance to use the right electrode to make a good and strong welded joint. A universal electrode will in many cases be suitable for your work. The electrode packaging mentions in which positions welding can be done with the electrodes concerned (above the head, downwards, etc. bearing in mind the speed of melting of the electrode). Separate electrodes are commercially available for the welding of types of stainless steel and cast iron. Consult your dealer about purchasing the right electrode.

#### c. Protective clothing

Wear thoroughly covering clothing so that the likelihood of the skin being burnt by ultraviolet radiation or splashes of metal is minimised. Preferably wear cotton overalls, welding gloves and safety shoes. Make sure that welding spatter cannot end up in gloves or shoes. A (leather) welding apron stops burning and sparks damaging overalls.

#### d. Face protection

#### Fig. 2

Use a good welding mask with (dark) welding glass and protective glass. Check that both glasses are correctly fitted (well-fastened and not allowing any sunlight in).

The welding mask protects the welder against radiation, heat and weld spatter released during the welding process. This also reduces the inhalation of welding fumes. The invisible ultraviolet rays cause so-called "welder's flash". This already originates after a few seconds of looking into the electric arc.

Avoid the effects of this radiation and high temperatures on the face and other exposed body parts such as the neck and arms. Protect yourself against the dangerous effects of the electric arc and keep persons who are not participating in the work at least 15 m from the arc. Persons or assistants working in the vicinity of the electric arc must be advised of the hazards and they must be equipped with the required protective gear. If required, set up protective walls.

#### e. Working environment

- Ensure a well ventilated working environment. Gases are released when welding that are a danger to your health.
- Remove all flammable objects from the working environment. Welding causes sparks and hot metal.
- Make sure that cooling water is present in the vicinity of workplace. Do not leave just welded (hot) workpieces unattended in the workplace. Cool the workpiece before leaving the workplace.

#### Protection against radiation and burns

- At the work place, the hazard to the eyes must be indicated by a sign stating "Caution! Do not look at the flames!" The workstations must be shielded as much as possible in such a manner that personnel standing in the vicinity of the workstation are protected. Keep unauthorized personnel away from the welding work.
- In the immediate vicinity of the stationary workstations, the walls should not be brightly colored or glossy. Windows must be coated with suitable paint to at least eye-level to prevent radiation reflecting or passing through.

#### Bringing into use

#### Fig. 3

Tip: Before you start welding difficult workpieces it is best to first try the welding out on a test piece.

- Ensure a clean workpiece: remove any rust, grease and paint residues.
- Set the required current intensity using the knob on the front of the welding appliance. The choice of current intensity depends on the workpiece and the type of electrode used.
- Place the part of the electrode without coating in the electrode holder and connect the earth terminal to the workpiece.
- Switch the welding appliance on with the main switch.
- Keep the welding mask in front of your face and move the point of the electrode over the workpiece as if you were striking a match. This is the best way to start the welding arc. Do not strike the workpiece with the electrode. This will damage the electrode and impede the creation of the welding arc.
- After creating the welding arc immediately try to keep the distance between point of the electrode and the workpiece equal. Keep this distance equal to the diameter of the electrode. Keep this distance as constant as possible during welding.
- Move the electrode in a gradual pulling movement over the workpiece.
- Keep the angle between electrode and workpiece between 60° and 70° in the direction of movement.
- When the welded joint has been made, break the welding arc by removing the electrode from the workpiece.
- Switch off the welding appliance.



*N.B. If you leave the welding appliance on, the likelihood is great that the electrode will make contact (through the work bench) with the earth cable and spontaneously start to weld.*

- Remove the slag from the welded joint with a scaling hammer.



*Take care for hot flying metal particles. Always wear protective goggles.*

- Never weld over slag residues: the slag forms an insulating and contaminated layer, and as a result weakens the weld (so-called slag inclusion).
- Brush the weld clean using a wire brush.



*N.B. The workpiece is still at a very high temperature.*

Do not leave the hot workpiece unattended.

### Indicator lamp temperature

#### Fig.1

When the temperature of the welding appliance becomes too high, the built-in thermostat will switch off (indicator light comes on). The built-in ventilator cools the machine. After cooling the lamp goes off again.

Preferably allow the machine a sufficient time to cool down; with intensive welding the likelihood is great that the thermal cut-out will trigger again after a few minutes.

## 5. Service & maintenance



*Make sure that the machine is disconnected before carrying out any maintenance.*

This machine has been designed to operate over a long period of time with a minimum of maintenance. Continuous satisfactory operation depends upon proper machine care and regular cleaning.

### Malfunction

Should the machine fail to function correctly, a number of possible causes and the appropriate solutions are given below:

#### The welding appliance is not working.

- Earth terminal does not have good contact with the workpiece.
- Electrode is not properly positioned in its holder.
- Thermal cut-out switched off.
- Fusing defective (in meter box), or the thermal protection was burned.
- The cable is broken.
- The switch is defective/contact your dealer.

#### Electrode continues to 'stick' to the workpiece.

- Use the right type of electrode (universal)
- Current intensity too low/turn button 3 clockwise

#### Electrode is orange-red.

- Current intensity too high for this type of



electrode/turn button 3 anti-clockwise

## SCHWEISSGERÄT

**Electrode spatters excessively and makes a lot of noise during welding.**

- Current intensity too high/turn button 3 anti-clockwise

**The machine is too hot; indicator lamp is on.**

- The ventilation slots are blocked/clean them with a dry cloth; wait a few minutes until the lamp goes off again.



*Repairs and servicing should only be carried out by a qualified technician or service firm.*

### Cleaning

- Make sure that the ventilation slots are free of dust and dirt. Use a soft cloth moistened with soapy water for removing stubborn dirt. Do not use any solvents such as petrol, alcohol or ammonia, etc.
- Make sure that the electrode holder and earth terminal remain corrosion-free so they can continue making good electrical contact.
- Regularly check that welding and workpiece cables are firmly connected in their connections

### Lubrication

The machine requires no additional lubrication.

### Faults

Should a fault occur, e.g. after wear of a part, please contact the service address on the warranty card. In the back of this manual you find an exploded view showing the parts that can be ordered.

### Environment

To prevent damage during transport, the appliance is delivered in a solid packaging which consists largely of reusable material. Therefore please make use of options for recycling the packaging.



*Faulty and/or discarded electrical or electronic apparatus have to be collected at the appropriate recycling locations.*

### Warranty

The guarantee conditions can be found on the separately enclosed guarantee card.

**Die Ziffern im nachstehenden Text verweisen auf die Abbildungen auf Seite 2 + 109**



*Um Ihre eigene Sicherheit und die Sicherheit Anderer zu gewährleisten, empfehlen wir Ihnen, sich diese Bedienungsanleitung vor der ersten Inbetriebnahme gründlich durchzulesen. Bewahren Sie diese Anleitung und die übrige Dokumentation zusammen mit der Maschine auf.*

### Einführung

Beim Schmelzschiessen wird das Werkstückmaterial unter Einfluss zugeführter Wärme zum Schmelzen gebracht. Beim Lichtbogenschweißen werden außerdem Schweißzusätze (Elektroden) eingesetzt. Nach dem Erstarren ist die Schweißverbindung hergestellt.

Die erforderliche Wärme wird mittels eines elektrischen Bogens zwischen Elektrode und Werkstück erzeugt. Für den Schweißvorgang ist eine hohe Stromstärke (40-100 A) mit relativ niedriger Spannung (10-48 V) erforderlich. Ein Transformator im Schweißgerät bewirkt, dass die Netzspannung (230 V) vermindert wird.

Das Gerät ist nicht für den gewerblichen Einsatz geeignet!

### Inhalt

1. Technische Daten
2. Sicherheitsvorschriften
3. Montage des zubehörs
4. Bedienung
5. Wartung und Pflege

## 1. Technische daten

### Gerätedaten

Spannung	230 V ~
Frequenz	50 Hz
Schweißleistung	40-100 A
Zündspannung	≤ 48 V
Elektroden Durchmesser	1.6 - 2.5 mm
Gewicht	13.2 kg
Abmessungen	290x195x170 mm
Thermoschutz	100°C ± 5°C
Netzkabel	H07RN-F, 3G x 1.5 mm <sup>2</sup>
Schweißkabel	H01N2-D1 x 10 mm <sup>2</sup>

## Verpackungsinhalt

- Schweißgerät
- Schweißschild
- Drahtbürste/Schlackenhammer
- Bedienungsanleitung
- Sicherheitsvorschriften
- Garantiekarte

## Produktinformationen

### Abb. 1

1. Temperaturanzeige
2. Ein-/Ausschalter
3. Drehschalter zur Einstellung der Stromstärke
4. Schweißkabel mit Elektrodenhalter (vormontiert)
5. Massekabel mit Werkstückklemme (vormontiert)
6. Gummifuß
7. Handgriff
8. Lüftungsschlitze
9. Drahtbürste/Schlackenhammer
10. Schweißschild
11. Elektroden

## Table: Einstellung und Gebrauch

Ø Electrode (mm)	Stromstärke (A)	Geeignet u.a. für:
1.6	45-55	Materialdicke ≤ 2 mm Reparatur eines Fahrrads (Mopeds)
2	50-75	Materialdicke 2 - 3 mm Reparatur Wandregal
2.5	70-100	Materialdicke 4 - 5 mm Gartentor, Spielgerät
3.2	95-150	Materialdicke 6 - 7 mm Carport, Garage
4	130-220	Materialdicke 8 - 12 mm Konstruktion (schwer)
5	190-250	Materialdicke ≥ 12 mm Konstruktion (sehr schwer)



Ziehen Sie, falls das Kabel beschädigt wird und auch während Wartungsarbeiten, sofort den Netzstecker.



Umstehende fernhalten.



Gegen Regen Schützen



Schutzbrille und Gehörschutz tragen.



Schutzhandschuhe tragen.



Beim Schweißen immer ein Schweißschild verwenden



Schutzkleidung tragen

## EN60974-6

Norm bezüglich Schweißstromquellen zum Lichtbogenhandschweißen für begrenzten Betrieb



Elektrodenhalter



Masseklemme



Abfallende Spannung



Einphasentransformator



Versorgungsstromkreis, Anzahl der Phasen (zum Beispiel 1 oder 3), Symbol für Wechselstrom und die Nennfrequenz (zum Beispiel 50 Hz oder 60 Hz)



Elektroden Durchmesser



Sicherung 16 A

## 2. Sicherheitsvorschriften

### Erläuterung der Symbole



Achtung! Bitte das Benutzerhandbuch lesen



Lebens- und Verletzungsgefahr und Gefahr von Beschädigungen am Gerät bei Nichteinhaltung der Sicherheitsvorschriften in dieser Anleitung.



Deutet das Vorhandensein elektrischer Spannung an.

$I_{eff}$  Maximum des effektiven  
Versorgungsstromkreises

$I_2$  Sekundärstromstärke in Ampere

 Maximale Nenn-Schweißdauer im  
aussetzenden Betrieb

 Maximale Nenn-Schweißdauer im  
Dauerbetrieb

**IP21S** Schutzart. Schutz vor Berührung mit  
mittelgroßen Fremdkörpern ( $\varnothing > 12 \text{ mm}$ )  
und senkrecht fallendem Tropfwasser.

**H** Isolationsklasse

**U<sub>0</sub>** Leerlaufspannung in Volt

**U<sub>1</sub>** Netzspannung in Volt

**U<sub>2</sub>** Werte der konventionellen Lastspannung

EMV-Klassifizierung gemäß IEC 60974-10

### Allgemeine Sicherheitsvorschriften für Schweißgeräte

- Der Gerätebediener muss über Gebrauch, Einstellung und Bedienung des Geräts instruiert sein.
- Sorgen Sie für eine gut beleuchtete und saubere Arbeitsumgebung.
- Ziehen Sie immer den Stecker aus der Steckdose, ehe Sie Wartungsarbeiten am Gerät ausführen.
- Ziehen Sie den Stecker aus der Steckdose, wenn Sie das Gerät zurücklassen.
- Verwenden Sie das Gerät nicht, ehe es den Anweisungen in der Anleitung gemäß völlig montiert und installiert ist.
- Betätigen Sie Schweißgeräte nicht in explosionsgefährdeten Atmosphären, zum Beispiel in der Nähe von entzündbaren Flüssigkeiten, Gasen oder Staub. Schweißgeräte erzeugen Funken, durch die Staub oder Dämpfe entzündet werden können.

### Spezifische Sicherheitsvorschriften für Schweißgeräte

- Gefahr durch Stromschläge: Ein Stromschlag durch die Schweißelektrode kann tödlich sein. Führen Sie keine Schweißarbeiten bei Regen- oder Schneefall durch. Tragen Sie trockene

Isolierhandschuhe. Berühren Sie die Elektrode nicht mit bloßen Händen. Tragen Sie weder nasse noch beschädigte Handschuhe. Isolieren Sie sich selbst vom Werkstück, um sich vor Stromschlägen zu schützen. Öffnen Sie nicht das Gehäuse des Geräts.

- Gefahr durch Schweißrauch: Das Einatmen von Schweißrauch kann sich schädlich auf Ihre Gesundheit auswirken. Halten Sie Ihren Kopf nicht in den Rauch. Verwenden Sie das Gerät in einer optimal durchlüfteten Umgebung. Der Rauch muss durch einen Luftabzug entfernt werden.
- Gefahr durch Schweißfunken: Schweißfunken können Explosionen und Brände auslösen. Halten Sie entzündliche Stoffe und Gegenstände während der Schweißarbeiten vom Arbeitsbereich fern. Tragen Sie keine brennbare Kleidung. Schweißfunken können Brände auslösen. Vergewissern Sie sich, dass eine Aufsichtsperson mit einem Feuerlöscher bereitsteht. Schweißen Sie nicht auf Fässern oder anderen geschlossenen Behältern.
- Gefahr durch den Lichtbogen: Der Lichtbogen kann die Augen sowie die Haut schädigen. Tragen Sie eine Sicherheits-Kopfbedeckung und eine Sicherheitsbrille. Tragen Sie einen Ohrenschutz, und knöpfen Sie Ihren Hemdkragen zu. Tragen Sie einen Schweißhelm mit dem korrekten Filter. Tragen Sie eine Ganzkörper-Schutzausrüstung.
- Gefahr durch elektromagnetische Felder: Der Schweißstrom erzeugt ein elektromagnetisches Feld. Nicht verwenden, wenn Sie medizinische Implantate haben. Führen Sie die Schweißleitungen niemals um Ihren Körper herum. Verbinden Sie die Schweißleitungen.
- Beim Schweißen werden Funken und heißes Metall frei. Dadurch entsteht Brandgefahr! Entfernen Sie daher alles Brennbares aus dem Arbeitsbereich.
- Sorgen Sie für ausreichende Lüftung des Arbeitsbereichs. Beim Schweißen werden gesundheitsgefährdende Gase frei.
- Führen Sie keine Schweißarbeiten an Behältern oder Leitungen aus, die brennbare Flüssigkeiten oder Gase enthalten (Brand- oder Explosionsgefahr).
- Führen Sie keine Schweißarbeiten an Werkstücken aus, die mit leicht entflammaren Flüssigkeiten gereinigt wurden oder eine lackierte Oberfläche haben (dabei

können schädliche Gase frei werden).

- Arbeiten Sie nicht in feuchten oder nassen Umgebungen und schweißen Sie nicht im Regen.
- Die Augen müssen immer mit dem mitgelieferten Schweißschild geschützt werden.
- Tragen Sie trockene und nicht mit Öl oder Schmutz durchtränkte Handschuhe und Schutzkleidung.
- Die abzuklopfende Schlacke kann glühend heiß sein. Das Entfernen der Schlacke kann dann ernsthafte Augenverletzungen zur Folge haben. Tragen Sie immer eine Schutzbrille und Handschuhe.
- Beim Schweißen können durch ultraviolette Strahlung Hautverbrennungen entstehen. Tragen Sie daher angemessene Schutzkleidung.
- Das Schweißgerät ist mit einem Überlastungsschutz ausgestattet. Das bedeutet, dass es bei Überlastung automatisch ausgeschaltet wird. Wenn es ausreichend abgekühlt ist, wird das Gerät automatisch wieder eingeschaltet.
- Berücksichtigen Sie, dass das Werkstück sich während des Schweiß- und Abkühlvorgangs durch Spannungen verformen kann.
- Es dürfen nur die im Lierumfang enthaltenen Schweißleitungen verwendet (Ø 10 mm<sup>2</sup> Gummischweißleitung werden).
- In Feuer- und Explosionsgefährdeten Räumen gelten besondere Vorschriften.
- Schweißverbindungen, die großen Beanspruchungen ausgesetzt sind und bestimmte Sicherheitsforderungen erfüllen müssen, dürfen nur von besonders ausgebildeten und geprüften Schweißern ausgeführt werden. Beispiel sind: Druckkessel, Laufschiene, Anhängerkupplungen usw.
- Achtung: Schliessen Sie die Masseklemme stets so nahe wie möglich an die Schweißstelle an, so dass der Schweißstrom den kürzestmöglichen Weg von der Elektrode zur Masseklemme nehmen kann. Verbinden Sie die Masseklemme niemals mit dem Gehäuse des Schweißgerätes! Schliessen Sie die Masseklemme niemals an geerdeten Teilen an, die weit vom Werkstück entfernt liegen, z.B. einem Wasserrohr in einer anderen Ecke des Raumes. Andernfalls könnte es dazu kommen, dass das Schutzleitersystem des Raumes, in dem Sie

schweißen, beschädigt wird.

- Die Absicherungen der Zuleitungen zu den Netzsteckdosen muss den Vorschriften entsprechen (VDE 0100). Schutzkontaktsteckdosen dürfen mit max 16A (Typen und technische Daten: RT14-20, Ø 10 x 38, AC 400 V 16A. IEC 60269. Traege auslösen. Hersteller: Chint) abgesichert werden (Sicherungen oder Leitungsschutzschalter). Höhere Absicherungen können Leitungsbrand bzw. Gebäudebrandschäden zur Folge haben.

## Elektrische Sicherheit



*In folgenden Fällen muss das Gerät sofort ausgeschaltet werden:*

*Fehler im Stecker/Netzkabel oder beschädigtes Kabel*

- Defekter Schalter
- Qualm oder Gestank von verschmorter Isolierung



*Abhängig von den Netzstrombedingungen am Anschlusspunkt kann die Schweißstromquelle bei anderen Stromnutzern Störungen verursachen. Wenn Sie diesbezüglich irgendwelche Zweifel haben, erkundigen Sie sich bitte bei Ihrem Stromversorgungsunternehmen.*

- Achten Sie darauf, dass die Verbindung zwischen Schweißgerät und Lichtnetz fehlerfrei ist. Jede Elektroschockgefahr kann lebensbedrohlich sein.
- Sorgen Sie für einwandfreie Verbindungen, sowohl für den Elektrodenhalter als die Masseklemme.
- Verhindern Sie, dass Stromkabel kaputt gezogen werden können. Ehe das Schweißgerät versetzt wird, müssen die Kabel erst getrennt werden.
- Vermeiden Sie jeden Kontakt mit dem stromführenden Teil des Schweißgeräts, dem Elektrodenhalter und der Masseklemme.
- Überprüfen Sie immer, ob die Netzspannung mit dem auf dem Typenschild des Geräts angegebenen Wert übereinstimmt.
- Nach Ersetzen eines Kabels oder Steckers, muss das alte Kabel bzw. der alte Stecker sofort weggeworfen werden. Das Einstecken eines losen Kabels in die Netzsteckdose ist

gefährlich.

- Verwenden Sie für alle Schweißgeräte mit 230 Volt Sicherungen von mindestens 16 Ampere.
- Verwenden Sie ausschließlich zugelassene Verlängerungskabel, die für die Leistungsaufnahme des Geräts geeignet sind. Die Leiter müssen einen Querschnitt von mindestens 1,5 mm<sup>2</sup> haben. Bei Verwendung einer Kabeltrommel muss das Kabel immer ganz abgewickelt werden.
- Arbeiten auf der Netzspannungsseite, z.B. an Kabeln, Steckern, Steckdosen usw. nur von einer Elektrofachkraft ausführen lassen.

### 3. Montage des zubehör



*Achten Sie beim Anbringen von Zubehör darauf, dass der Stecker aus der Steckdose gezogen ist.*

#### Aufstellen des Geräts

- Stellen Sie das Schweißgerät in einem trockenen, sauberen Raum (frei von Eisenstaub, Staub und Lack) auf.
- Das Gerät muss auf einem stabilen, flachen Untergrund mit mindestens 20 cm Abstand zur Wand stehen.
- Vor Regen und greller Sonne schützen.

#### Schweißschild

##### Abb. 2

- Den Handgriff auf das Schweißschild schieben, bis er einrastet.
- Das helle Glas (Schutzglas) vor dem dunklen Schweißglas anbringen. Beide Gläser in die dafür vorgesehene Öffnung schieben.
- Achten Sie darauf, dass die Gläser so angebracht sind, dass kein (schädliches) Licht mehr durch die Öffnung eindringen kann.
- Wenn die Sicht auf das Werkstück beim Schweißen nicht mehr ausreicht, muss das helle Schutzglas ausgewechselt werden. Das Ersetzen des dunklen Schweißglases ist erheblich kostspieliger als das Ersetzen des hellen Schutzglases.

#### Einsetzen einer neuen Elektrode

Die Elektrode besteht aus einem Metallkern mit einer Ummantelung. An einem Ende ist die Elektrode nicht von der Ummantelung umhüllt.

- Den Griff des Elektrodenhalters gegen den Federdruck zusammenkneifen.
- Eine Elektrode mit dem nicht ummantelten

Ende ( $\pm 2$  cm) in den Elektrodenhalter einsetzen. Achten Sie darauf, dass der Kontakt zwischen dem nicht ummantelten Teil und dem Metallteil des Elektrodenhalters richtig hergestellt wird (Elektrode nicht zu weit in den Elektrodenhalter stecken).

- Den Hebel des Griffs entspannen. Die Elektrode sitzt jetzt fest.



*Achtung! Um Überhitzung und/oder Verformung des Elektrodenhalters zu vermeiden, darf die Elektrode nicht weiter als auf eine Länge von  $\pm 5$  cm in abtrennen. Außerdem wird das Entfernen der abgebrannten Elektrode dadurch erschwert.*

#### Entfernen der abgebrannten Elektrode

Den Griff des Elektrodenhalters gegen den Federdruck zusammenkneifen, sodass die abgebrannte Elektrode aus dem Halter fallen kann.



*Achtung! Die Elektrode nicht mit der Hand aus dem Halter nehmen, sie ist sehr heiß!*



*Achtung! Achten Sie darauf, wohin der Elektrodenabfall fällt, damit keine Brandgefahr und Verletzungen verursacht werden können.*

### 4. Bedienung

#### Vor der Inbetriebnahme:

- Allgemeine Informationen über Elektroschweißen
- Die Elektrode
- Schutzkleidung
- Gesichtsschutz
- Arbeitsumgebung

#### a. Allgemeine Informationen über Elektroschweißen

Die Temperatur des Lichtbogens beträgt ca. 7000 Grad Celsius, wodurch die Spitze der Elektrode und das Werkstück zum Schmelzen gebracht werden. Solange der Lichtbogen instand gehalten wird, schmilzt die Elektrode ab und erzeugt so das erforderliche Schweißgut zur Verbindung der betreffenden Teile. Der Abstand zwischen Elektrode und Werkstück muss – abhängig von Durchmesser und Art der Elektrode – so kurz wie möglich sein (ca. 1,5–4 mm). Der für das

Schweißen erforderliche Strom wird durch ein Schweißgerät geliefert. Wie hoch die benötigte Leistung des Schweißgeräts ist, hängt von der auszuführenden Arbeit ab.

Sorgen Sie für trockene Elektroden, da feuchte Elektroden Probleme verursachen. Wenn die Elektrode beim Schweißen am Werkstück klebt, ist die Stromstärke zu niedrig eingestellt.

## b. Die Elektrode

- Die Elektrode besteht aus einem Eisenkern mit einer Ummantelung. Der Hauptzweck der Ummantelung ist, das Schmelzbad und die übergehenden Tropfen vor dem in der umgebenden Luft enthaltenen Sauerstoff und Stickstoff zu schützen. Während des Schweißvorgangs schmilzt die Elektrode ab. Die Ummantelung verdampft teilweise, wodurch ein schützender Gasmantel entsteht. Ein Teil der Ummantelung schwimmt auf dem Schmelzbad (das Material ist leichter als Stahl) und schützt so auch die abkühlende Schweißnaht. Nach dem Abkühlen bleibt das Ummantelungsmaterial als feste, aber einfach entfernbare Schlacke auf der Schweißraupe zurück.
- Gehen Sie vorsichtig mit den Elektroden um, damit die Ummantelung nicht beschädigt wird. Die Elektroden müssen immer ganz trocken sein und sind daher feuchtigkeitsgeschützt zu lagern.
- Zur Herstellung einer guten, stabilen Schweißverbindung ist die Verwendung der richtigen Elektrode besonders wichtig. In vielen Fällen ist für die erforderlichen Arbeiten eine Universalelektrode ausreichend. Auf der Verpackung der Elektroden ist angegeben, in welchen Positionen damit geschweißt werden kann (Überkopf-, Fall-, Wannenposition usw.). Für das Schweißen von Edelmetallen und Gusseisen sind spezielle Elektroden im Handel erhältlich. Ziehen Sie zum Erwerb der passenden Elektrode Ihren Händler zu Rate.

## c. Schutzkleidung

Tragen Sie gut abschirmende Kleidung, um die Gefahr von Hautverbrennungen durch fre werdende ultraviolette Strahlen und Metallspritzern zu minimieren.

Tragen Sie vorzugsweise einen Arbeitsoverall aus Baumwolle, Schweißhandschuhe und Sicherheitsschuhe. Stellen Sie sicher, dass keine Schweißspritzer in die Handschuhe oder Schuhe gelangen können. Eine Schweißerschürze (z. B.

aus Leder) schützt vor Einbrennen von Funken in den Overall.

## d. Gesichtsschutz

### Abb. 2

Verwenden Sie ein gutes Schweißschild mit (dunklem) Schweißglas und einem Schutzglas. Überprüfen Sie beide Gläser auf vorschriftsgemäße Montage (fester Sitz und für Sonnenlicht undurchlässig).

Das Schweißschild schützt den Schweißer vor Strahlen, Hitze und Schweißspritzern, die während des Schweißvorgangs frei werden.

Außerdem wird durch das Schild weniger Schweißrauch eingeatmet.

Die unsichtbaren ultravioletten Strahlen verursachen Augenschäden. Diese treten bereits auf, nachdem man einigen Sekunden in den Lichtbogen geblickt hat.

Vermeiden Sie die Einwirkung dieser Strahlen und hoher Temperaturen auf das Gesicht und andere unbedeckte Körperteile, wie z. B. Hals und Arme.

Schützen Sie sich gegen die gefährlichen Effekte des Lichtbogens und halten Sie nicht an der Arbeit beteiligte Personen mindestens 15m vom Lichtbogen entfernt.

Auch in der Nähe des Lichtbogens befindliche Personen oder Helfer müssen auf die Gefahren hingewiesen und mit den nötigen Schutzmitteln ausgerüstet werden. Wenn erforderlich, Schutzwände aufstellen.

## e. Arbeitsumgebung

- Sorgen Sie für ausreichende Lüftung des Arbeitsbereichs. Beim Schweißen werden gesundheitsgefährdende Gase frei.
- Alle brennbaren Objekte müssen aus dem Arbeitsbereich entfernt werden. Beim Schweißen werden Funken und heißes Metall frei.
- Sorgen Sie dafür, dass in der Nähe des Arbeitsorts Kühlwasser vorhanden ist. Frisch geschweißte (heiße) Werkstücke dürfen nicht unbeaufsichtigt am Arbeitsort zurückbleiben. Sorgen Sie vor Verlassen des Arbeitsorts dafür, dass das Werkstück abgekühlt ist.

### Schutz gegen Strahlen und Verbrennungen

- An der Arbeitsstelle durch die Beschilderung "Vorsicht! Nicht in die Flammen sehen!" auf die Gefährdung der Augen hinweisen. Die Arbeitsplätze sind möglichst so abzuschirmen, dass die in der Nähe befindlichen Personen geschützt sind. Unbefugte sind von den Schweißarbeiten fernzuhalten.

- In unmittelbarer Nähe ortsfester Arbeitsstellen sollen die Wände nicht hellfarbig und nicht glänzend sein. Fenster sind mindestens bis Kopfhöhe gegen Durchlassen oder Zurückwerfen von Strahlung zu sichern, z. B. durch geeigneten Anstrich.

## Inbetriebnahme

### Abb. 3

Hinweise: Vor dem Schweißen schwieriger Werkstücke können Sie am besten erst an einem Probestück üben.

- Das Werkstück muss sauber sein: wenn erforderlich Rost, Fett und Lackreste entfernen.
- Die gewünschte Stromstärke mit dem Drehschalter auf der Vorderseite des Schweißgeräts einstellen. Welche Stromstärke verwendet werden muss, hängt vom Werkstück und dem gebrauchten Elektrodentyp ab.
- Den nicht ummantelten Teil der Elektrode in den Elektrodenhalter einsetzen und die Masseklemme mit dem Werkstück verbinden.
- Das Schweißgerät mit dem Hauptschalter einschalten.
- Das Schweißschild vor das Gesicht halten und mit der Elektrodenspitze über das Werkstück streichen (wie zum Zünden eines Streichholzes). Dies ist die beste Methode zum Erzeugen des Lichtbogens. Schlagen Sie nicht mit der Elektrode gegen das Werkstück. Dies hat Beschädigungen an der Elektrode zur Folge und erschwert die Zündung des Lichtbogens.
- Versuchen Sie gleich nach Entstehen des Lichtbogens, den Abstand zwischen Elektrodenspitze und Werkstück gleich zu halten. Dieser Abstand muss gleich dem Durchmesser der Elektrode sein. Während des Schweißvorgangs muss dieser Abstand so weit wie möglich eingehalten werden.
- Mit der Elektrode langsam über das Werkstück fahren.
- Der Winkel zwischen Elektrode und Werkstück muss zwischen 60° und 70° in Bewegungsrichtung gehalten werden.
- Wenn die Schweißverbindung fertig ist, den Lichtbogen durch Entfernen der Elektrode vom Werkstück unterbrechen.
- Schweißgerät ausschalten.



**Achtung:** Wenn Sie das Schweißgerät eingeschaltet lassen, besteht große Gefahr, dass die Elektrode einen Kontakt (über die Werkbank) mit dem Massekabel herstellt und spontan anfängt zu schweißen.

- Die Schlacke mit dem Schlackenhammer von der Schweißnaht abklopfen.



**Vorsicht vor umherfliegenden heißen Metallsplintern.** Tragen Sie immer eine Schutzbrille.

- Schweißen Sie nie über Schlackereste, da die Schlacke eine isolierende und verschmutzende Schicht bildet, wodurch die Schweißnaht geschwächt wird (dies nennt man Schlackeneinschluss).
- Die Schweißnaht mit der Drahtbürste sauber bürsten.



**Achtung:** Die Temperatur des Werkstücks ist immer noch sehr hoch. Lassen Sie es nicht unbeaufsichtigt zurück.

## Temperaturanzeige

### Abb. 1

Wenn die Temperatur des Schweißgeräts zu hoch wird, wird der eingebaute Thermostat automatisch ausgeschaltet (Temperaturanzeige fängt an zu leuchten). Der eingebaute Lüfter kühlt das Gerät. Wenn es sich abgekühlt hat, erlischt die Anzeige wieder.

Lassen Sie das Gerät wenn möglich ausreichend lange abkühlen. Bei intensivem Schweißen ist es sehr wahrscheinlich, dass der Thermoschutz sonst nach einigen Minuten bereits wieder aktiviert wird.

## 5. Wartung und pflege



**Achten Sie darauf, dass die Maschine nicht an das Stromnetz angeschlossen ist, wenn Wartungsarbeiten an den mechanischen Teilen durchgeführt werden.**

Diese Maschinen sind so konzipiert, dass sie lange Zeit bei minimalem Wartungsaufwand problemlos funktionieren. Durch regelmäßiges Reinigen und sachgerechte Behandlung verlängern Sie die Lebensdauer Ihrer Maschine.

## Störungen

Sollte die Maschine nicht korrekt funktionieren, finden Sie nachstehend einige mögliche Ursachen sowie die jeweiligen Lösungen.

#### **Schweißgerät funktioniert nicht.**

- Kein guter Kontakt zwischen Masseklemme und Werkstück.
- Elektrode sitzt nicht richtig im Halter
- Thermoschutz hat angesprochen.
- Defekte Schmelzsicherung (im Verteilerschrank), oder der Wärmeschutz wurde verbrannt..
- Kabelbruch.
- Defekter Schalter/setzen Sie sich mit Ihrem Händler in Verbindung.

#### **Elektrode „klebt“ am Werkstück.**

Passenden Elektrodentyp verwenden (Universalelektrode).

- Zu geringe Stromstärke/Schalter 3 im Uhrzeigersinn verdrehen.

#### **Elektrode wird orange-rot.**

- Zu hohe Stromstärke für den verwendeten Elektrodentyp/Schalter 3 gegen den Uhrzeigersinn verdrehen.

#### **Elektrode spritzt übermäßig viel und erzeugt während des Schweißens.**

- Zu hohe Stromstärke/Schalter 3 gegen den Uhrzeigersinn verdrehen.



*Lassen Sie Ihre Maschine nur von einem qualifizierten Fachmann oder einer qualifizierten Reparaturwerkstatt warten und reparieren.*

#### **Reinigen**

- Stellen Sie sicher, dass die Lüftungsschlitze staub- und schmutzfrei sind. Verwenden Sie bei hartnäckigen Verschmutzungen ein mit Seifenwasser angefeuchtetes weiches Tuch. Verwenden Sie keine Lösungsmittel wie Benzin, Alkohol, Ammoniak usw.
- Sorgen Sie dafür, dass der Elektrodenhalter und die Masseklemme korrosionsfrei bleiben, sodass immer ein guter Kontakt hergestellt werden kann.
- Überprüfen Sie regelmäßig, ob die Schweiß- und Werkstückkabel fest in den Anschlüssen sitzen.

#### **Schmieren**

Die Maschine braucht keine zusätzliche

Schmierung.

#### **Störungen**

Sollte beispielsweise nach Abnutzung eines Teils ein Fehler auftreten, dann setzen Sie sich bitte mit der auf der Garantiekarte angegebenen Serviceadresse in Verbindung.

Im hinteren Teil dieser Anleitung befindet sich eine ausführliche Übersicht über die Teile, die bestellt werden können.

#### **Umwelt**

Um Transportschäden zu verhindern, wird die Maschine in einer soliden Verpackung geliefert. Die Verpackung besteht weitgehend aus verwertbarem Material.

Benutzen Sie also die Möglichkeit zum Recyclen der Verpackung.



*Schadhafte und/oder entsorgte elektrische oder elektronische Geräte müssen an den dafür vorgesehenen Recycling-Stellen abgegeben werden.*

#### **Garantie**

Lesen Sie die Garantiebedingungen auf der separat beigefügten Garantiekarte.



## LASAPPARAAT

De nummers in de nu volgende tekst verwijzen naar de afbeeldingen op pagina 2 + 109



Voor uw eigen veiligheid en die van anderen raden wij u aan deze gebruikershandleiding zorgvuldig door te lezen, voordat u deze machine in gebruik neemt. Bewaar deze gebruikershandleiding en de overige documentatie bij de machine.

### Introductie

Bij de smeltlasprocessen wordt het werkstukmateriaal tot smelten gebracht onder invloed van toegevoerde warmte. Bij het elektrisch booglassen wordt bovendien gebruik gemaakt van lastoevoegmateriaal (elektrode). Na het stollen komt de las tot stand.

De benodigde warmte wordt verkregen door het onderhouden van een elektrische boog tussen elektrode en werkstuk. Voor het lasproces is een hoge stroom nodig (40-100 A) met een relatief lage spanning (10-48 V). Een transformator in het lasapparaat zorgt ervoor dat de netspanning (230 V) wordt verlaagd.

Het apparaat is niet geschikt voor bedrijfsmatig gebruik!

### Inhoudsopgave:

1. Technische informatie
2. Veiligheidsvoorschriften
3. Montage accessoires
4. Bediening
5. Service & Onderhoud

## 1. Technische informatie

### Machinegegevens

Spanning	230 V ~
Frequentie	50 Hz
Lasvermogen	40-100 A
Ontsteekspanning	≤ 48 V
Elektrodendikte	1.6 - 2.5 mm
Gewicht	13.2 kg
Afmetingen	290x195x170 mm
Thermische beveiliging	100°C ± 5°C
Netsnoer	H07RN-F, 3G x 1.5 mm <sup>2</sup>
Laskabel	H01N2-D1 x 10 mm <sup>2</sup>

### Inhoud van de verpakking

- 1 Lasapparaat
- 1 Laskap
- 1 Staalborstel / bikhamer
- 1 Gebruikershandleiding
- 1 Veiligheidsinstructies
- 1 Garantiekaart

Controleer de machine, losse onderdelen en accessoires op transportschade.

### Kenmerken

#### Fig. 1

1. Indicatielampje temperatuur
2. Aan/uit-schakelaar
3. Draaiknop instelling stroomsterkte
4. Laskabel met elektrodehouder
5. Massakabel met werkstuklem
6. Rubber dop
7. Handvat
8. Ventilatiesleuven
9. Staalborstel / bikhamer
10. Laskap
11. Elektrodes

### Tabel: instellen en gebruik

Ø Electrode (mm)	Stroomsterkte (A)	Geschikt voor o.a.:
1.6	45-55	Materiaaldikte ≤ 2 mm Reparatie van (brom-)fiets
2	50-75	Materiaaldikte 2-3 mm Reparatie wandstelling
2.5	70-100	Materiaaldikte 4-5 mm Tuinhek, speeltoestel
3.2	95-150	Materiaaldikte 6-7 mm Carport, garage
4	130-220	Materiaaldikte 8-12 mm Constructie (zwaar)
5	190-250	Materiaaldikte ≥ 12 mm Constructie (zeer zwaar)

## 2. Veiligheidsvoorschriften

### Uitleg van de symbolen



Let op! Lees de instructiehandleiding



**Gevaar voor lichamelijk letsel of materiële schade wanneer de instructies in deze handleiding niet worden opgevolgd.**



**Gevaar voor elektrische schok.**



Verwijder onmiddellijk de stekker uit het stopcontact bij beschadiging van het snoer en tijdens onderhoudswerkzaamheden.



Houd omstanders op afstand.



Beschermen tegen regen.



Draag oog- en gehoorbescherming.



Draag veiligheidshandschoenen.



Draag een laskap tijdens het lassen



Draag beschermende kleding

**EN60974-6**

Norm voor lastoestellen voor booglassen met de hand voor beperkt bedrijf.



Electrode holder



Massaklem



Dalende spanning



Eén-fase transformator



Voedingcircuit, aantal fasen (bijvoorbeeld 1 of 3), symbool voor wisselstroom en de toegekende frequentie (bijvoorbeeld 50 Hz of 60 Hz)



Elektrodediameter



Zekering 16A

**I<sub>eff</sub>**

Maximale effectieve voedingsstroom

**I<sub>2</sub>**

Secundaire stroomsterkte in Ampère  
Maximale toegestane lastijd in intermitterende modus



Maximale toegestane lastijd in continuumodus



**IP21S**

Beschermingsklasse. Dicht voor voorwerpen tot 12 mm en tegen loodrecht vallen druiwater. Stilstand bij watercontrole.

**H**

Isolatieklasse

**U<sup>0</sup>**

Open spanning in Volt

**U<sup>1</sup>**

Netspanning in Volt

**U<sup>2</sup>**

Waarden van de conventionele belastingsspanning

EMC-classificatie conform IEC 60974-10

### Algemene veiligheidsvoorschriften voor lasapparaten

- Risico van elektrische schok: een elektrische schok van een laselektrode kan dodelijk zijn. Las niet in de regen of sneeuw. Draag droge isolerende handschoenen. Raak elektrodes niet met blote handen aan. Draag geen natte of beschadigde handschoenen. Bescherm uzelf tegen elektrische schokken door uzelf te isoleren van het werkstuk. Maak de behuizing van de apparatuur niet open.
- Risico als gevolg van lasrook: het inademen van lasrook kan schadelijk zijn voor uw gezondheid. Houd uw hoofd uit de rook. Gebruik de apparatuur in een open omgeving. Gebruik een ventilator om de rook af te voeren.
- Risico als gevolg van lasvonken: lasvonken kunnen explosies of brand veroorzaken. Houd ontvlambare materialen uit de buurt van de lasapparatuur. Las niet in de buurt van ontvlambare materialen. Lasvonken kunnen brand veroorzaken. Houd een brandblusser in de buurt en zorg dat iemand klaarstaat om deze te gebruiken. Las niet aan vaten of gesloten reservoirs.
- Risico als gevolg van de boog: boogstralen kunnen verbranding van ogen en verwonding van de huid veroorzaken. Draag een helm en veiligheidsbril. Draag gehoorbeschermers en een dichtgeknoopt overhemd. Draag een

lashedhelm met een filter met de juiste tint. Draag volledige lichaamsbescherming.

- Risico als gevolg van elektromagnetische velden: lasstroom wekt een elektromagnetisch veld op. Niet gebruiken als u medische implantaten hebt. Wikkel laskabels nooit rond uw lichaam. Houd de laskabels bij elkaar.
- De gebruiker van de machine dient te zijn geïnstrueerd in het gebruik, afstellen en bedienen van de machine.
- Zorg voor een goed verlichte en opgeruimde werkomgeving.
- Haal altijd de stekker uit het stopcontact als u onderhouden pleegt aan de machine.
- Wanneer u de machine verlaat, neem de stekker uit het stopcontact.
- Gebruik de machine niet voordat u de machine compleet heeft gemonteerd en geïnstalleerd zoals de handleiding voorschrijft. Specifieke veiligheidsvoorschriften voor lasapparaten
- Tijdens het lassen komen vonken en hete metalen vrij. Denk om brandgevaar, verwijder alle brandbare voorwerpen uit de werkomgeving.
- Zorg voor goede ventilatie van de werkomgeving. Bij het lassen komen gassen vrij die een gevaar zijn voor uw gezondheid.
- Las niet op containers of buizen die brandbare vloeistoffen of gassen bevatten of hebben bevat (gevaar voor brand of explosies).
- Las niet op materialen die zijn schoongemaakt met licht ontvlambare vloeistoffen of op geverfde oppervlakken (kans op vrijkomende gevaarlijke gassen).
- Werk niet in een vochtige of natte omgeving en las niet in de regen.
- Bescherm altijd uw ogen met de bijgeleverde laskap.
- Gebruik handschoenen en beschermende kleding die droog zijn en niet gedrenkt zijn met olie of vuil.
- De af te pikken slak is soms gloeiend heet en kan lelijke oogverwondingen veroorzaken tijdens het verwijderen. Draag altijd een veiligheidsbril en handschoenen.
- Tijdens het lassen kan de ultraviolette straling uw huid verbranden. Zorg dus voor de juiste beschermende kleding.
- Uw lasapparaat is beveiligd tegen overbelasting. Dus wordt het lasapparaat bij overbelasting automatisch uitgeschakeld. Na voldoende te zijn afgekoeld schakelt het lasapparaat zich automatisch weer in.

- Tijdens het lassen en afkoelen kan uw werkstuk door spanningen vervormen. Houd daar rekening mee.
- Alleen de meegeleverde laskabels mogen gebruikt worden (rubberen laskabels, Ø 10 mm<sup>2</sup>).
- In ruimtes met brand- en explosiegevaar gelden bijzondere voorschriften.
- Lasverbindingen die aan grote belastingen zijn blootgesteld en aan specifieke veiligheidseisen moeten voldoen, mogen alleen door speciaal opgeleide en gediplomeerde lassers worden uitgevoerd. Voorbeelden zijn: drukketels, looprails, trekhaken enz.
- **Attentie!** Sluit de massaklem altijd zo dicht mogelijk bij de lasplek aan, zodat de lasstroom de kortst mogelijke weg van de elektrode naar de massaklem kan volgen. Verbind de massaklem nooit met de buitenkant van het lasapparaat! Sluit de massaklem nooit op gearde voorwerpen aan die ver van het werkstuk verwijderd zijn, zoals bijvoorbeeld een waterleiding in een andere hoek van de ruimte. Anders kunnen beschadigingen ontstaan aan de aardleiding in de ruimte waarin u last.
- De beveiliging van de toevoerleidingen naar de stopcontacten moet aan de voorschriften voldoen (VDE 0100). Stopcontacten mogen met hoogstens 16A gezekeerd worden door middel van stoppen of automaten. (Types en technische gegevens: RT14-20, Ø 10 x 38, 400 V 16A wisselstroom. IEC 60269. Trage werking. Fabrikant: Chint.) Hogere zekeringen kunnen brand in de leidingen en brandschade aan het gebouw tot gevolg hebben.

## Elektrische veiligheid



*Zet het apparaat onmiddellijk uit bij: Storing in de netstekker, netsnoer of snoerbeschadiging.*

- *schakelaar.*
- *Rook of stank van verschroeide isolatie.*



*Waarschuwing! Afhankelijk van de aanwezige netspanning op het aansluitpunt kan de lasstroombron storingen veroorzaken in de voeding naar andere elektrische verbruikers. Indien u hierover twijfelt, dient u uw elektriciteitsleverancier te raadplegen.*

- Let erop dat de verbinding van lasapparaat en lichtnet in orde zijn. Elke kans op een elektrische schok kan levensbedreigend zijn.
- Draag zorg voor goede verbindingen, zowel voor elektrodehouder als voor de massaklem.
- Voorkom het kapot trekken van de elektrische kabels. Maak ze eerst los voordat u het lasapparaat verplaatst.
- Vermijd contact met het elektrisch geleidende deel van het lasapparaat, de elektrodehouder en de massaklem.
- Controleer altijd of uw netspanning overeenkomt met de waarde op het typeplaatje van de machine.
- Bij vervanging van snoeren of stekkers: Gooi oude snoeren of stekkers direct weg zodra ze door nieuwe exemplaren zijn vervangen. Het is gevaarlijk om de stekker van een los snoer in het stopcontact te steken.
- Gebruik voor alle lasapparaten op 230 Volt minimaal 16 Ampère zekeringen
- Bij gebruik van verlengsnoeren: Gebruik uitsluitend een goedgekeurd verlengsnoer, dat geschikt is voor het vermogen van de machine. De aders moeten een doorsnede hebben van minimaal 1.5 mm<sup>2</sup>. Wanneer het verlengsnoer op een haspel zit, rol het snoer dan helemaal af.
- Werk aan het netspanningsgedeelte – bijvoorbeeld aan kabels, stekkers, stopcontacten e.d. – mag alleen door een elektrotechnicus uitgevoerd worden.

lasglasje. Schuif beide glasesjes voor de daarvoor bestemde opening.

- Zorg ervoor dat de glasesjes zo geplaatst worden, dat er geen (schadelijk) licht meer via de opening kan binnendringen.
- Vervang het lichte beschermingsglasje, wanneer het zicht op het werkstuk tijdens het lassen onvoldoende wordt. Vervangen van het donkere lasglas is aanzienlijk duurder dan vervangen van het lichte beschermglas

### Plaatsen nieuwe elektrode

De elektrode bestaat uit een metalen kern met daaromheen de bekleding. Aan één uiteinde van de elektrode is de kern niet bedekt met bekleding.

- Knijp de handgreep van de elektrodehouder tegen veerdruk in.
- Plaats een elektrode met het niet-beklede uiteinde ( $\pm 2$  cm) in de elektrodehouder. Zorg ervoor dat het niet-beklede deel goed contact maakt met het metalen gedeelte van de elektrodehouder (elektrode niet te ver in elektrodehouder steken).
- Ontspan de hendel van handgreep. De elektrode zit nu vast.



*Let op! Laat de elektrode niet opbranden tot lengtes korter dan  $\pm 5$  cm in verband met oververhitting en/of vervormen van de elektrodehouder. De opgebrande elektrode zal vervolgens moeilijk te verwijderen zijn.*

## 3. Montage accessoires



*Zorg ervoor dat tijdens het monteren van accessoires de stekker uit het stopcontact verwijderd is.*

### Plaatsen van de machine

- Plaats het lasapparaat in een droge en schone ruimte (vrij van ijzerpoeder, stof en verf).
- Plaats het lasapparaat op een stevige en vlakke ondergrond en minimaal 20 cm vanaf de muur.
- Bescherm het lasapparaat tegen regen en felle zon.

### De laskap

#### Fig. 2

- Schuif het handvat aan de laskap, totdat deze blokkeert.
- Plaats het lichte glasje (beschermingsglasje) vóór het donkere

### Verwijderen opgebruikte elektrode

Knijp de handgreep van de elektrodehouder tegen de veerdruk in, zodat de opgebrande elektrode uit de houder kan vallen.



*Let op! Pak de elektrode niet met de hand uit de houder. De elektrode is zeer heet!*



*Let op! Kijk uit waar het elektrode afval terecht komt in verband met brandgevaar en mogelijke verwonding.*

## 4. Bediening

### Voor ingebruikname:

- Algemene informatie over elektrisch lassen
- De elektrode
- Beschermende kleding
- Gelaatbescherming
- Werkomgeving

### a. Algemene informatie over elektrisch lassen

De temperatuur van de vlamboog bedraagt ca. 7000° Celsius, waardoor het einde van de elektrode en het werkstuk tot smelten worden gebracht. Zolang de vlamboog in stand wordt gehouden, zal de elektrode wegsmelten en het benodigde toevoermateriaal leveren voor de te verbinden delen.

De afstand tussen de elektrode en het werkstuk moet zo kort mogelijk zijn (ca. 1,5 - 4 mm) afhankelijk van de diameter en soort elektrode. De benodigde stroom voor het lassen wordt geleverd door een lasapparaat. De benodigde capaciteit van het lasapparaat is afhankelijk van het te verrichten werk. Zorg dat de elektroden goed droog zijn, vochtige elektroden geven problemen. Wanneer de elektrode tijdens het lassen aan het werkstuk kleeft, is uw stroomsterkte-instelling te laag.

### b. De elektrode

- De elektrode bestaat uit een ijzeren kern met daaromheen de bekleding. De bekleding heeft als belangrijkste doel het smeltbad en de overgaande druppels te beschermen tegen zuurstof en stikstof uit de omringende lucht. Tijdens het lassen smelt de elektrode af. Een gedeelte van de bekleding verdampst, waardoor een beschermende gasmantel ontstaat. Een gedeelte van de bekleding drijft op het smeltbad (het is lichter dan staal) en beschermt ook dan de afkoelende las. Na afkoeling bevindt deze bekleding zich als een vaste, doch gemakkelijk te verwijderen slak op de lasrups.
- Behandel de elektroden voorzichtig, zodat de bekleding niet kapot gaat. Zorg dat de elektroden goed droog zijn, dus vochtvrij bewaren.
- Om een goede en sterke lasverbinding te maken is het van groot belang de juiste elektrode te gebruiken. Een universele elektrode zal in veel gevallen geschikt voor uw werkzaamheden zijn. Op de verpakking van de elektroden is vermeld in welke standen gelast kan worden met betreffende elektroden (boven het hoofd, neergaand, onder de hand enz.). Voor het lassen van roestvrije staalsoorten en gietijzer zijn aparte elektroden in de handel. Raadpleeg uw handelaar voor het aanschaffen van de juiste elektrode.

### c. Beschermende kleding

Draag goed afsluitende kleding, zodat de kans op huidverbranding door vrijkomende ultraviolette straling en opspattende metaalspatters wordt geminimaliseerd.

Draag bij voorkeur een katoenen overall, lashandschoenen en veiligheidsschoenen. Zorg ervoor dat lasspatters niet in handschoen of schoen kunnen terechtkomen. Een (leren) lasschort voorkomt inbranden van vonken in de overall.

### d. Gelaatbescherming

#### Fig. 2

Gebruik een goede laskap met (donker) lasglas en een beschermglas. Controleer of beide glasjes correct zijn gemonteerd (goede bevestiging en geen zonlicht doorlatend). De laskap beschermt de lasser tegen straling, hitte en lasspatters welke vrijkomen tijdens het lasproces. Bovendien wordt het inademen en van lasrook gereduceerd. De onzichtbare ultraviolette stralen veroorzaken de zogenaamde "lasogen". Deze ontstaan al nadat er enkele seconden in de lichtboog is gekeken. Vermijd de inwerking van deze straling en de hoge temperaturen op het gelaat en andere blote lichaamsdelen zoals hals en armen. Bescherm u tegen de gevaarlijke uitwerking van de lasvlam en houd personen die niet aan het werk deelnemen op minstens 15 meter afstand. Ook personen die zich in de buurt van de lasvlam bevinden en helpers moeten op de gevaren worden gewezen en voorzien van de nodige bescherming. Stel zo nodig beschermingswanden op.

### e. Werkomgeving

- Zorg voor een goed geventileerde werkomgeving. Bij het lassen komen gassen vrij die een gevaar zijn voor uw gezondheid.
- Verwijder alle brandbare voorwerpen uit de werkomgeving. Tijdens het lassen komen vonken en hete metalen vrij.
- Zorg ervoor dat koelwater aanwezig is in de nabijheid van de werkplek. Laat zojuist gelaste (hete) werkstukken niet onbeheerd achter in de werkplaats. Koel het werkstuk af, alvorens de werkplaats te verlaten.

### Bescherming tegen straling en brandwonden

- Op de werkplek moet door het opschrift "Voorzichtig! Niet in de lasvlam kijken!" op het gevaar voor de ogen worden gewezen. Indien mogelijk moeten de werkplaatsen zo

afgeschermd worden, dat in de buurt zijnde personen geen gevaar lopen. Onbevoegden moeten van de laswerkzaamheden worden weggehouden.

- Muren in de onmiddellijke nabijheid van vaste werkplekken mogen niet helder gekleurd of glimmend zijn. Ramen moeten minstens tot op hoofdhoogte tegen het doorlaten en terugkaatsen van straling worden beveiligd, bijvoorbeeld met een geschikte verflaag.

### Ingebruikname

#### Fig. 3

Tip: Voordat u moeilijke werkstukken gaat lassen kunt u beter eerst oefenen op een proefstukje.

- Zorg voor een schoon werkstuk: verwijder eventueel roest, vet en verfristen.
- Stel de gewenste stroomsterkte in met behulp van de draaiknop aan de voorzijde van het lasapparaat.

De keuze van de stroomsterkte hangt af van het werkstuk en het type elektrode dat wordt gebruikt.

- Plaats het deel van de elektrode zonder bekleding in de elektrodehouder en verbind de massaklem met het werkstuk.
- Zet het lasapparaat aan met de hoofdschakelaar.
- Houd de laskap voor uw gezicht en strijk de elektrodepunt over het werkstuk alsof u een lucifer aansteekt. Dit is de beste manier om de lasboog te starten. Sla de elektrode niet tegen het werkstuk. Dit zal de elektrode beschadigen en het starten van de lasboog bemoeilijken.
- Probeer onmiddellijk nadat de lasboog start de afstand tussen elektrodepunt en werkstuk gelijk te houden. Deze afstand gelijk houden aan de diameter van de elektrode. Bewaar deze afstand zo constant mogelijk tijdens het lassen.
- Beweeg de elektrode in een slepende beweging langzaam over het werkstuk.
- Houd de hoek tussen elektrode en werkstuk tussen 60° en 70° in de beweegrichting.
- Wanneer de lasverbinding gereed is, verbreek dan de lasboog door de elektrode van het werkstuk te verwijderen.
- Schakel het lasapparaat uit.



*Let op. Wanneer u het lasapparaat aan laat staan, is de kans groot dat de elektrode contact maakt (via werkbank) met de massakabel en spontaan begint te lassen.*

- Verwijder de slak van de lasverbinding met de bikhamer.

Kijk uit voor wegvliegende hete metaaldeeltjes. Draag altijd een veiligheidsbril.

- Las nooit over slakresten heen: de slak vormt een isolerende en verontreinigde laag en hierdoor verzwakt de las (zgn. slakinsluiting).
- Borstel de las schoon met behulp van de staalborstel.



*Let op. Het werkstuk heeft nog steeds een zeer hoge temperatuur. Laat het hete werkstuk niet onbeheerd achter.*

### Indicatielampje temperatuur

#### Fig. 1

Wanneer de temperatuur van het lasapparaat te hoog wordt, zal de ingebouwde thermostaat uitschakelen (indicatielampje gaat branden). De ingebouwde ventilator koelt de machine. Na afkoeling zal het lampje weer uitgaan. Laat de machine bij voorkeur voldoende tijd afkoelen; bij intensief lassen is de kans groot dat de thermische beveiliging anders na enkele minuten opnieuw in werking treedt.

## 5. Service en onderhoud



*Zorg dat de machine niet onder spanning staat wanneer onderhoudswerkzaamheden aan het mechaniek worden uitgevoerd.*

Dit apparaat is ontworpen om gedurende lange tijd probleemloos te functioneren met een minimum aan onderhoud. Door het apparaat regelmatig te reinigen en op de juiste wijze te behandelen, draagt u bij aan een hoge levensduur van uw machine.

### Stringen

In het geval het apparaat niet naar behoren functioneert, geven wij onderstaand een aantal mogelijke oorzaken en de bijbehorende oplossingen:

### Het lasapparaat functioneert niet

- Massaklem heeft geen goed contact met het werkstuk
- Elektrode zit niet correct in houder
- Thermische beveiliging uitgeschakeld
- Smeltzekering defect (in meterkast), of de

thermische beveiliging was verbrand.

- Het snoer is onderbroken
- De schakelaar is defect / neem contact op met uw dealer

#### Elektrode blijft 'plakken' aan werkstuk

- Gebruik juiste type elektrode (universeel)
- Stroomsterkte te laag / verdraai knop 3 met de wijzers van de klok mee

#### Elektrode wordt oranje-rood

- Stroomsterkte te hoog voor dit type elektrode / verdraai knop 3 tegen de wijzers van de klok in

#### Elektrode spettert overmatig en maakt veel lawaai tijdens lassen

- Stroomsterkte te hoog / verdraai knop 3 tegen de wijzers van de klok in

#### De machine wordt overmatig warm; indicatielampje brandt

- De ventilatiesleuven zijn verstopt / maak ze schoon met een droge doek; wacht enkele minuten tot lampje weer uitgaat.



*Laat reparaties altijd uitvoeren door een erkend installateur of reparatiebedrijf.*

#### Reinigen

- Zorg dat de ventilatiesleuven vrij van stof en vuil zijn. Gebruik bij hardnekkig vuil een zachte doek bevochtigd met zeepwater. Gebruik geen oplosmiddelen als benzine, alcohol, ammonia, etc.
- Zorg dat de elektrodehouder en aardklem corrosievrij blijven zodat ze een goed elektrisch contact kunnen blijven maken.
- Controleer regelmatig of las- en werkstuklabels goed vastzitten in de aansluitingen.

#### Smeren

De machine heeft geen extra smering nodig.

#### Storingen

Wanneer er zich een storing voordoet, bijvoorbeeld bij slijtage van een onderdeel, neem dan contact op met het onderhoudsadres op de garantiekaart. Achter in deze handleiding ziet u een opengewerkte afbeelding van de onderdelen die besteld kunnen worden.

#### Milieu

Om transportbeschadiging te voorkomen, wordt de machine in een stevige verpakking geleverd. De verpakking is zo veel mogelijk gemaakt van recyclebaar materiaal. Maak daarom gebruik van de mogelijkheid om de verpakking te recyclen.



*Defecte en/of afgedankte elektrische of elektronische gereedschappen dienen ter verwerking te worden aangeboden aan een daarvoor verantwoordelijke instantie.*

#### Garantie

Lees voor de garantievoorwaarden de apart bijgevoegde garantiekaart.

# MACHINE À SOUDER

Les numéros dans le texte suivant réfèrent aux illustrations des pages 2 + 109



Pour votre propre sécurité, et celles des autres, nous vous recommandons de lire ce mode d'emploi avec attention avant de commencer à utiliser l'appareil. Conservez mode d'emploi et documentation à proximité de l'appareil.

## Introduction

Lors du soudage par fusion, l'apport de chaleur fait fondre partiellement le matériau de la pièce à travailler. Lors du soudage à l'arc électrique, un matériau d'apport (électrodes) est utilisé en plus. La soudure se forme lors de la solidification. Pour obtenir la chaleur nécessaire, un arc électrique est maintenu entre l'électrode et la pièce à travailler. Le procédé de soudure exige un courant fort (40-100 A) au voltage relativement faible (10-48 V). Un transformateur à l'intérieur de la machine à souder abaisse la tension du courant réseau (230 V).

L'appareil n'est pas prévu pour une utilisation industrielle!

## Contenu

1. Données de l'appareil
2. Instructions de sécurité
3. Montage des accessoires
4. Utilisation
5. Service & entretien

## 1. Données de l'appareil

### Spécifications techniques

Voltage	230 V ~
Fréquence	50 Hz
Puissance de soudage	40-100 A
Tension d'allumage	≤ 48 V
Calibre d'électrode	1.6 - 2.5 mm
Poids	13.2 kg
Dimensions	290x195x170 mm
Protection thermique	100°C ± 5°C
Câble d'alimentation	H07RN-F, 3G x 1.5 mm <sup>2</sup>
Câble de soudage	H01N2-D1 x 10 mm <sup>2</sup>

### Contenu de l'emballage

- 1 Machine à souder
- 1 Masque de soudure
- 1 Brosse métallique / picot
- 1 Mode d'emploi

- 1 Instructions de sécurité
- 1 Carte de garantie

Vérifiez si la machine, les pièces détachées et les accessoires n'ont pas été endommagés au transport.

## Caractéristiques du produit

### Fig. 1

1. Témoin lumineux de la température
2. Interrupteur marche/arrêt
3. Bouton de réglage de l'ampérage
4. Câble de soudage avec porte-électrode
5. Câble de terre avec pince
6. Pied en caoutchouc
7. Poignée
8. Ouvertures de ventilation
9. Brosse métallique / picot
10. Masque de soudure
11. Électrodes

## Tableau: réglage et utilisation

Ø Electrode (mm)	Ampérage (A)	S'utilise pour, entre autres:
1.6	45-55	Épaisseur du matériau ≤ 2 mm Réparations de vélo(moteur)s
2	50-75	Épaisseur du matériau 2-3 mm Réparation de rayonnages métalliques
2.5	70-100	Épaisseur du matériau 4-5 mm Portail, équipement de jardin
3.2	95-150	Épaisseur du matériau 6-7 mm Abri, garage
4	130-220	Épaisseur du matériau 8-12 mm Construction lourde
5	190-250	Épaisseur du matériau ≥ 12 mm Construction très lourde

## 2. Instructions de sécurité

### Explication des symboles



Attention ! Lisez le manuel d'instructions



Indique un risque de blessures, un danger mortel ou un risque d'endommagement de l'outil en cas du non-respect des consignes de ce mode d'emploi.



Indique un risque de décharges électriques.





Débranchez immédiatement la fiche de l'approvisionnement électrique principal dans le cas où la corde est endommagée et pendant la maintenance.



Ne laissez aucune personne s'approcher de la zone de travail.



N'exposez pas sous la pluie



Protégez-vous les yeux et les oreilles.



Portez des gants de protection.



Portez toujours un masque pendant le soudage



Portez des vêtements de protection

**EN60974-6**

Norme pour machines à souder pour la soudure à l'arc manuelle à usage limité.



Porte-électrode



Mise à la terre



Tension en baisse



Transformateur monophasé



Circuit d'alimentation, nombre de phases (par exemple 1 ou 3), symbole de courant alternatif et fréquence nominale (par exemple 50 Hz ou 60 Hz)



Diamètre de l'électrode



Fusible 16A



courant d'alimentation effectif maximal

**I<sub>2</sub>**

Ampérage secondaire maximum



Durée de soudage maximale nominale en mode intermittent



Durée de soudage maximale nominale en mode continu

**IP21S**

Classe de protection. Impénétrable aux objets de plus de 12 mm et à l'eau de ruissellement tombant perpendiculairement. Arrêt contrôlé par la pénétration d'eau.

**H**

Classe d'isolation

**U<sub>0</sub>**

Tension ouverte en Volt

**U<sub>1</sub>**

Tension réseau en Volt

**U<sub>2</sub>**

Valeurs de la tension de charge conventionnelle

Classification CEM conforme à la norme IEC 60974-10

### Instructions de sécurité générales pour les machines à souder

- Risque de choc électrique : un choc électrique provoqué par une électrode de soudage peut entraîner la mort. N'effectuez pas de soudure sous la pluie ou sous la neige. Portez des gants isolants et secs. Ne touchez pas l'électrode à mains nues. Ne portez pas de gants humides ou endommagés. Protégez-vous de tout choc électrique en vous isolant de la pièce à travailler. N'ouvrez pas l'armoire de l'équipement.
- Danger lié aux fumées de soudage : respirer les fumées de soudage peut être dangereux pour la santé. Protégez votre tête des fumées. Utilisez l'équipement dans une pièce ouverte. Utilisez un ventilateur pour disperser les fumées.
- Danger lié aux étincelles de soudure : les étincelles de soudure peuvent provoquer une explosion ou un incendie. Éloignez les produits inflammables du poste de soudage. Ne soudez pas à proximité de produits inflammables. Les étincelles de soudure peuvent provoquer des incendies. Assurez-vous qu'un extincteur se trouve à proximité et qu'une personne soit prête à l'utiliser. N'effectuez pas de soudure sur des fûts ou

des conteneurs fermés.

- Risque lié à la soudure à l'arc : les rayons de l'arc peuvent provoquer des brûlures oculaires et cutanées. Portez un casque et des lunettes de sécurité. Utilisez des protections auditives et boutonnez le col de votre chemise. Portez un masque de soudage avec la teinte de filtre adéquate. Portez une tenue de protection intégrale.
- Risque lié aux champs électromagnétiques : le courant de soudage génère un champ électromagnétique. N'utilisez pas l'équipement si vous portez des implants médicaux. N'enroulez jamais les câbles de soudage autour de votre corps. Acheminez les câbles de soudage ensemble.
- L'utilisateur doit avoir reçu les instructions nécessaires pour le réglage et l'utilisation de l'appareil.
- Le lieu de travail doit être bien rangé et bien éclairé.
- Avant tout entretien de l'appareil, retirez la fiche de la prise.
- Retirez la fiche de la prise quand vous vous éloignez de l'appareil.
- Ne commencez pas à utiliser l'appareil avant de l'avoir entièrement monté et installé selon les instructions du mode d'emploi. Instructions de sécurité spéciales pour machines à souder
- La soudure s'accompagne d'étincelles et de métaux échauffés. N'oubliez pas le danger d'incendie, et enlevez tout objet ou matériau inflammable du lieu de travail.
- Ventilez suffisamment votre lieu de travail. La soudure libère des gaz nocifs pour votre santé.
- Ne faites pas de soudure sur des récipients ou des tuyaux contenant ou ayant contenu des liquides ou gaz inflammables (danger d'incendie ou d'explosion).
- Ne faites pas de soudure sur des matériaux ayant été nettoyés avec des solvants hautement inflammables, ni sur des surfaces peintes (danger de libération de gaz nocifs).
- Ne travaillez pas dans un environnement humide ou mouillé et ne faites pas de soudures sous la pluie.
- Protégez toujours vos yeux au moyen du masque de soudure fourni.
- Protégez-vous toujours avec des gants et des vêtements de protection, qui doivent être secs et non souillés d'huile ou autre salissures.
- Les scories à faire sauter sont souvent chauffées au rouge et peuvent causer des blessures graves aux yeux. Portez toujours des lunettes de protection et des gants.
- Les rayons ultraviolets peuvent causer des brûlures pendant le soudage. Portez donc toujours des vêtements de protection appropriés.
- Votre machine à souder est équipée d'une protection anti-surcharge. La machine à souder s'arrête donc automatiquement en cas de surcharge. La machine à souder se remet en marche automatiquement une fois qu'elle s'est suffisamment refroidie.
- La pièce que vous travaillez peut se déformer sous l'effet du soudage et du refroidissement. Tenez-en compte.
- Seuls les câbles de soudage fournis doivent être utilisés (câbles de soudage en caoutchouc d'une section de Ø 10 mm<sup>2</sup>)
- Dans des locaux exposés au feu ou aux explosions, les prescriptions particulières s'appliquent.
- Les assemblages par soudure, soumis à d'importantes contraintes et devant satisfaire aux exigences de sécurité établies, doivent être réalisés uniquement par des soudeurs habilités et spécialisés. A titre d'exemple: récipient d'air comprimé, rails de roulement, dispositifs d'attelage, etc.
- Attention : Connectez les bornes de mise à la masse aussi près que possible des soudures afin que le courant de soudage emprunte le chemin le plus court possible entre les électrodes et les bornes de mise à la masse. Ne reliez jamais les bornes de mise à la masse au boîtier du poste de soudure ! Ne reliez jamais les bornes de mise à la masse à des éléments mis à la terre, éloignés de la pièce à travailler, comme par ex. une conduite d'eau dans un autre coin de la pièce. Cela pourrait conduire à une détérioration du conducteur de protection de la pièce dans laquelle vous soudez.
- La protection par fusibles des câbles d'alimentation des prises secteur doit être conforme aux spécifications (VDE 0100). Les prises de courant de sécurité doivent être protégées par fusible avec 16 A max. (types et données techniques: RT14-20, Ø 10 x 38, AC 400 V 16A ; norme CIE 60269 ; fusibles retardés ; fabricant : Chint) (fusibles ou disjoncteur). Des protections par fusibles plus importantes pourraient conduire à un incendie des conduites voire du bâtiment.

## Électricité et sécurité



Arrêtez immédiatement la machine dans les cas suivants:

- Problème au niveau de la fiche ou du câble d'alimentation, ou câble endommagé.
- Interrupteur défectueux.
- Dégagement de fumée ou odeur de matériau d'isolation brûlé.



**Attention!** Suivant l'état du réseau d'alimentation au point de branchement du bloc d'alimentation électrique de la soudeuse, il peut déranger l'alimentation en électricité d'autres utilisateurs du réseau. En cas de doute sur ce sujet, consultez les responsables de l'alimentation électrique.

- Assurez-vous que la machine à souder est correctement raccordée au réseau. Tout risque de choc électrique est un risque de mort.
- Assurez-vous toujours du bon état des connexions, tant pour le porte-électrode que pour le câble de terre.
- Évitez d'endommager les câbles électriques en tirant dessus. Déconnectez toujours les câbles avant de déplacer la machine à souder.
- Ne touchez pas la partie conductrice d'électricité de la machine à souder, ni le porte-électrode, ni la fiche de terre.
- Contrôlez toujours que la tension de votre réseau est la même que celle qui est indiquée sur la plaquette de l'appareil.
- Lors du remplacement de câbles ou de fiches: Jetez les câbles et fiches usagés dès qu'ils ont été remplacés. Il est dangereux de brancher la fiche d'un câble détaché.
- Pour toute machine à souder alimentée en 230 V, utilisez des fusibles d'au moins 16 Ampère.
- Lors de l'utilisation de câbles de rallonge: Utilisez uniquement un câble électrique de rallonge correspondant à la puissance de l'appareil. Le diamètre du conducteur doit être d'au moins 1.5 mm<sup>2</sup>. Si la rallonge est sur un dévidoir, déroulez-la entièrement.
- Les travaux relatifs à la tension du secteur comme par ex. les câbles, connecteurs, prises de courant, etc. doivent être effectués exclusivement par des électriciens

spécialisés.

## 3. Montage des accessoires



Assurez-vous que la fiche est débranchée pendant le montage d'accessoires.

### Installation de l'appareil

- Installez la machine à souder dans un espace sec et propre (sans limaille de fer, poussière ni peinture).
- Posez la machine à souder sur une surface solide et plane, et à au moins 20 cm du mur.
- Abritez la machine à souder de la pluie et du soleil violent.

### Le masque à souder

#### Fig. 2

- Glissez la poignée sur le masque, jusqu'à ce qu'elle se bloque.
- Placez le verre clair (verre de protection) devant le verre de soudage teinté. Glissez les deux verres dans l'ouverture.
- Assurez-vous que les verres sont correctement placés, de sorte qu'aucune lumière nocive ne peut plus pénétrer par l'ouverture.
- Si la visibilité de la pièce que vous travaillez diminue trop pendant le travail, remplacez le verre de protection clair. Il est beaucoup moins coûteux de remplacer le verre de protection clair, que le verre de soudage teinté.

### Montage d'électrodes neuves

L'électrode se compose d'un conducteur métallique avec un revêtement. À un bout de l'électrode, le conducteur n'est pas revêtu.

- Serrez la poignée du porte-électrode, comprimant le ressort.
- Fixez une électrode dans le porte-électrode, par le bout ( $\pm 2$  cm) non revêtu. Contrôlez que le bout non revêtu est correctement en contact avec la partie métallique du porte-électrode (l'électrode n'est pas enfoncée trop loin dans le porte-électrode).
- Relâchez la poignée du porte-électrode. L'électrode est maintenant montée.



**Attention!** Ne laissez pas l'électrode fondre jusqu'à une longueur inférieure à  $\pm 5$  cm, car vous risquez de surchauffer ou de déformer le porte-électrode.

*L'électrode usagée sera difficile à enlever.*

Démontage d'électrodes usagées. Serrez la poignée de la porte-électrode, comprimant le ressort, pour que l'électrode usagée puisse tomber du porte-électrode.



*Attention! Ne retirez pas l'électrode du porte-électrode à la main. L'électrode est brûlante!*



*Attention! Surveillez l'endroit où tombe l'électrode usagée pour éviter tout danger d'incendie ou de blessure.*

## 4. Utilisation

### Avant l'utilisation

- Informations générales sur la soudure à l'arc électrique
- L'électrode
- Vêtements de protection
- Protection du visage
- Lieu de travail

#### a. Informations générales sur la soudure à l'arc électrique

La température de l'arc électrique se monte à environ 7000° Celsius, ce qui fait fondre le bout de l'électrode et la pièce à travailler. Tant que l'arc est maintenu, l'électrode continue de fondre et apporte le matériau de soudage nécessaire aux parties à souder. La distance entre l'électrode et la pièce à travailler doit être la plus petite possible (environ 1.5 - 4 mm) en fonction du diamètre et du type de l'électrode. Le courant électrique nécessaire est fourni par une machine à souder.

Le courant électrique consommé par la machine à souder varie en fonction du travail. Contrôlez que les électrodes sont parfaitement sèches, car les électrodes humides causent des problèmes. Si l'électrode se soude à la pièce à travailler durant le soudage, l'ampérage est trop faible.

#### b. L'électrode

- L'électrode se compose d'un conducteur métallique avec un revêtement. La fonction principale du revêtement est de protéger le bain de fusion, ainsi que les gouttelettes d'apport, contre l'oxygène et l'azote de l'air environnant. L'électrode fond pendant le soudage. Une partie du revêtement s'évapore, formant un manteau gazeux protecteur.

Une partie du revêtement flotte sur le bain de fusion (il est plus léger que l'acier) et protège également la soudure en cours de refroidissement. Après le refroidissement, ce revêtement laisse sur la soudure une scorie solide et facile à détacher.

- Manipulez les électrodes avec précaution pour ne pas abîmer le revêtement. Assurez-vous que les électrodes sont parfaitement sèches, conservez-les donc bien à l'abri de l'humidité.
- Pour obtenir une bonne soudure solide, choisissez avec soin la bonne électrode. L'électrode universelle conviendra dans un grand nombre de cas. L'emballage de l'électrode précise dans quelles positions de travail elle peut être utilisée (au-dessus de la tête, vers le bas, sous la main, etc, selon la vitesse à laquelle l'électrode fond). Pour le soudage des aciers inoxydables et de la fonte, il existe dans le commerce des types d'électrodes spéciales. Veuillez consulter votre fournisseur pour obtenir l'électrode appropriée.

#### c. Vêtements de protection

Portez des vêtements qui vous protègent complètement, pour réduire le risque de brûlures par les rayons ultraviolets ou par des éclaboussures de soudage. Portez de préférence une salopette en coton à manches longues, des gants de soudage et des chaussures de sécurité. Assurez-vous que les éclaboussures de soudage ne peuvent pas se loger à l'intérieur d'un gant ni d'une chaussure.

Un tablier de soudage (en cuir) protège le vêtement contre les étincelles.

#### d. Protection du visage

##### Fig. 2

Utilisez un masque de soudure de bonne qualité, avec un verre de soudure teinté et un verre de protection. Vérifiez que les deux verres sont placés comme il faut, bien fixés et ne laissant pas passer la lumière du soleil).

Le masque de soudure protège le soudeur contre la radiation, la chaleur et les éclaboussures pendant le soudage. L'inhalation des fumées nocives du soudage est également réduite. Les rayons ultraviolets sont la cause du "coup d'arc" ou ophtalmie électrique. Il se produit au bout de quelques secondes quand les yeux fixent l'arc électrique. Évitez d'exposer le visage, le cou, les mains et toute autre partie du corps à ces rayons,

ainsi qu'aux températures élevées.

Protégez-vous des effets nocifs de l'arc électrique et respectez un rayon minimum de 15 m autour de l'arc électrique pour les personnes ne participant pas aux travaux.

Les personnes ou assistants se trouvant à proximité de l'arc électrique doivent être informés des dangers et munis de produits protecteurs. Si nécessaire, installer des écrans protecteurs.

#### e. Lieu de travail

- Ventilez suffisamment votre lieu de travail. La soudure libère des gaz nocifs pour votre santé.
- Enlevez tout objet ou matériau inflammable du lieu de travail. La soudure s'accompagne d'étincelles et de métaux échauffés.
- Prenez toujours soin d'avoir de l'eau de refroidissement à proximité. Ne laissez pas de pièces nouvellement soudées (chaudes) sans surveillance. Refroidissez la pièce avant de quitter le lieu de travail.

#### Protection contre les rayons et les brûlures

- Signaler le risque pour les yeux sur le poste de travail avec la signalisation "Attention ! Ne jamais regarder dans la flamme!" Les postes de travail doivent être isolés de manière à protéger les personnes se trouvant à proximité. Les personnes non autorisées doivent être tenues à l'écart des travaux de soudure.
- Les murs à proximité directe des postes de travail ne doivent pas être de couleur claire ou brillants. Les fenêtres doivent être protégées du passage et de la réflexion des rayonnements au moins jusqu'à une hauteur de tête, par ex. grâce à une peinture appropriée.

#### Mise en service

##### Fig. 3

Conseil: Avant de commencer un travail difficile, il est bon de s'exercer sur un échantillon.

- La pièce à travailler doit être parfaitement propre: ôtez toute trace de rouille, de graisse ou de peinture.
- Réglez l'intensité du courant au moyen du bouton d'ampérage qui se trouve sur l'avant de l'appareil. L'ampérage à sélectionner dépend de la pièce à travailler et du type d'électrode.
- Enfoncez la partie non revêtue de l'électrode dans le porte-électrode. Montez la pince du

câble de terre sur la pièce à travailler.

- Mettez la machine à souder en marche au moyen de l'interrupteur marche/arrêt.
- Gardez le masque de soudure sur votre visage. Frottez la pointe de l'électrode sur la pièce à travailler comme si vous frottiez une allumette. C'est le meilleur moyen de créer l'arc électrique. Ne frappez pas la pièce avec l'électrode. Ceci endommage l'électrode et rend l'arc de soudure plus difficile à établir.
- Dès que l'arc est établi entre l'électrode et la pièce que vous travaillez, appliquez-vous à garder cet écartement constant. L'écartement devrait être égal au diamètre de l'électrode. L'écartement doit être le plus constant possible pendant la soudure.
- Faites glisser l'électrode sur la surface de la pièce lentement et régulièrement.
- L'angle entre l'électrode et la pièce doit être de 60° and 70° dans la direction du mouvement.
- Une fois que la soudure est faite, rompez l'arc en retirant l'électrode de la pièce.
- Arrêtez la machine à souder.



*Attention: si vous laissez la machine à souder en marche, l'électrode risque d'établir le contact avec le câble de terre (si le courant passe par l'établi) et de se mettre à souder toute seule.*

- Ôtez les scories de la soudure avec le picot.



*Prenez garde aux particules de métal brûlant qui peuvent sauter. Portez toujours des lunettes de protection.*

- Ne soudez jamais par-dessus un dépôt de scorie: la scorie crée une couche isolante souillée (inclusion) qui affaiblit la soudure.
- Nettoyez la soudure au moyen de la brosse métallique.



*Attention: la pièce est encore à une température extrêmement élevée. Ne laissez pas la pièce brûlante sans surveillance.*

#### Témoin lumineux de la température

##### Fig. 1

Si la température de la machine à souder monte trop haut, le thermostat l'arrête (et le témoin lumineux s'allume). Le ventilateur s'enclenche pour refroidir l'appareil. Une fois l'appareil suffisamment refroidi, le témoin s'éteint.

Il est préférable de laisser à l'appareil le temps de bien se refroidir. Lors d'un usage intensif, la protection thermique risque de l'arrêter à nouveau au bout de quelques minutes.

## 5. Service en entretien



*Assurez-vous que la machine n'est pas sous tension si vous allez procéder à des travaux d'entretien dans son système mécanique.*

Les machines ont été conçues pour fonctionner longtemps sans problème avec un minimum d'entretien. En nettoyant régulièrement et correctement la machine, vous contribuerez à une longue durée de vie de votre machine.

### Pannes

Si la machine ne fonctionnait pas correctement, un certain nombre de causes potentielles, ainsi que leurs solutions correspondantes, sont données ci-après :



*Les réparations et l'entretien ne doivent être effectués que par un technicien qualifié ou une entreprise spécialisée dans l'entretien.*

### Nettoyage

- Les ouvertures de ventilation doivent être propres, sans poussière ni autre crasse. Pour nettoyer les taches rebelles, utilisez un chiffon doux et de l'eau savonneuse. N'utilisez pas de solvants tels que le pétrole, l'alcool, l'ammoniaque etc.
- Le porte-électrode et la pince de terre doivent être propres et sans rouille pour assurer un bon contact électrique.
- Contrôlez régulièrement que les câbles de soudure et de pièce sont bien solidement connectés.

### Lubrification

Cette machine ne nécessite pas de graissage supplémentaire.

### Dysfonctionnements

Veillez vous adresser au centre de service indiqué sur la carte de garantie en cas d'un dysfonctionnement, par exemple après l'usure d'une pièce. Vous trouverez, à la fin de ce manuel, un schéma avec toutes les pièces que vous pouvez commander.

### Environnement

Pour éviter les dommages liés au transport, la machine est livré dans un emballage robuste. L'emballage est autant que possible constitué de matériau recyclable. Veuillez par conséquent destiner cet emballage au recyclage.



*Tout équipement électronique ou électrique défectueux dont vous seriez débarrassé doit être déposé aux points de recyclage appropriés.*

### Garantie

Pour les conditions de garantie, lisez le certificat de garantie joint à part.

## EQUIPO DE SOLDADURA

Los números que se indican en el siguiente texto hacen referencia a las figuras contenidas en las páginas 2 + 109



Para su propia seguridad y la de otras personas, le recomendamos leer atentamente estas instrucciones de uso antes de poner en funcionamiento el aparato. Conserve este manual del usuario y la demás documentación junto con la herramienta.

### Introducción

El proceso de soldadura por fusión se emplea con el fin de derretir el material de la pieza de trabajo por efectos de aplicación de calor. En la soldadura por arco eléctrico se utiliza, además, un material fundente (electrodos). La soldadura se produce tras la solidificación del material.

El calor requerido para el proceso se obtiene manteniendo un arco eléctrico entre el electrodo y la pieza de trabajo. El proceso de soldadura requiere de una corriente alta (40-100 A) con un voltaje relativamente bajo (10-48 V). Un transformador instalado en el equipo de soldadura se encarga de reducir la tensión de la red (230 V).

¡Este aparato no es adecuado para uso industrial!

### Contenidos:

1. Datos técnicos
2. Normas de seguridad
3. Montaje de los accesorios
4. Funcionamiento
5. Servicio y mantenimiento

## 1. Datos técnicos

### Características técnicas

Voltaje	230 V ~
Frecuencia	50 Hz
Factor de potencia	40-100 A
Voltaje de ignición	≤ 48 V
Diámetro del electrodo	1.6 - 2.5 mm
Peso	13.2 kg
Dimensiones	290x195x170 mm
Protección térmica	100°C ± 5°C
Cable de alimentación	H07RN-F, 3G x 1.5 mm <sup>2</sup>
Cable de soldadura	H01N2-D1 x 10 mm <sup>2</sup>

### Contenido del embalaje

- 1 Equipo de soldadura

- 1 Máscara de soldar
- 1 Cepillo de alambre/martillo desincrustador
- 1 Manual del usuario
- 1 Cuaderno con las normas de seguridad
- 1 Tarjeta de garantía

Revise la máquina, las piezas sueltas y los accesorios asegurándose de que no hayan sufrido daños durante el transporte.

### Partes del producto

#### Fig. 1

1. Piloto luminoso indicador de la temperatura
2. Interruptor de Encendido/Apagado
3. Botón giratorio para ajustar la intensidad de la corriente
4. Cable de soldadura con portaelectrodo
5. Cable de masa con pinza de sujeción
6. Apoyos de caucho
7. Empuñadura
8. Ranuras de ventilación
9. Cepillo de alambre/martillo desincrustador
10. Máscara de soldar
11. Electrodos

### Cuadro: instalación y uso

Ø Electrodo (mm)	Intensidad de corriente (A)	S'utilise pour, entre autres:
1.6	45-55	Diámetro del material ≤ 2 mm Reparación de motos y bicicletas
2	50-75	Diámetro del material 2-3 mm Reparación de murales
2.5	70-100	Diámetro del material 4-5 mm Cercas y juegos de jardín
3.2	95-150	Diámetro del material 6-7 mm Cochera, garaje
4	130-220	Diámetro del material 8-12 mm Construcción (pesado)
5	190-250	Diámetro del material ≥ 12 mm Construcción (muy pesado)

## 2. Normas de seguridad

### Explicación de los símbolos



Precaución. Lea el manual de instrucciones



Indica peligro de accidente, de muerte o riesgo de provocar averías en el aparato en caso de no seguir las instrucciones de este manual.



Indica el peligro de sufrir descargas eléctricas.



Desconecte inmediatamente la toma de corriente en caso de que se dañe el cable de potencia y durante el proceso de mantenimiento.



Mantenga a los presentes a una distancia prudencial de la zona de trabajo.



Proteja contra la lluvia.



Lleve guantes de seguridad.



Lleve protectores para los ojos y los oídos.



Use siempre una máscara de soldar mientras está soldando



Use ropa de protección

**EN60974-6**

Norma relativa a los aparatos para soldadura manual por arco, de uso limitado.

$I_{1eff}$

Corriente de alimentación efectiva máxima

$I_2$

Intensidad de la corriente secundaria en Amperios



Tiempo máximo de soldadura estipulado en modo intermitente



Tiempo máximo de soldadura estipulado en modo continuo

**IP21S** Grado de protección. Sellada contra la penetración de objetos hasta 12 mm y contra el goteo perpendicular de agua. Obstrucción con control de agua.

**H**

Grado de aislamiento

**U<sub>0</sub>**

Voltaje abierto en Voltios

**U<sub>1</sub>**

Tensión de red en Voltios

**U<sub>2</sub>**

Valores de la tensión convencional en carga

Clasificación EMC conforme al estándar IEC 60974-10

### Instrucciones generales de seguridad para equipos de soldadura

- El operario del equipo deberá haber recibido instrucción en el uso y manejo del mismo.
- Asegúrese de que el lugar de trabajo esté ordenado y disponga de la suficiente iluminación.
- Siempre que vaya a hacer mantenimiento al equipo desconecte el cable de alimentación de la toma de corriente.
- Retire el enchufe de la toma de corriente cuando vaya a dejar desatendido equipo.
- No use el equipo hasta haberlo ensamblado e instalado completamente según las instrucciones descritas en el manual.

### Instrucciones específicas de seguridad para equipos de soldadura

- Peligro de descarga eléctrica: las descargas eléctricas provocadas por electrodos de soldadura pueden causar la muerte. No realice tareas de soldadura en condiciones de lluvia o nieve. Utilice guantes aislantes secos. No toque los electrodos directamente con las manos. No utilice guantes húmedos o



Portaelectrodo



Terminal de tierra



Caída de voltaje



Transformador monofásico



Circuito de alimentación, número de fases (por ejemplo, 1 o 3), símbolo para corriente alterna y frecuencia nominal (por ejemplo, 50 Hz o 60 Hz)



Díámetro del electrodo



Fusible 16A



deteriorados. Protéjase frente a las descargas eléctricas utilizando un equipo adecuado que le aisle de la pieza de trabajo. No abra la carcasa del equipo.

- Peligro causado por el humo que se produce durante las tareas de soldadura: la aspiración del humo derivado de las tareas de soldadura puede ser peligrosa para la salud. Mantenga la cabeza alejada del humo. Utilice el equipo en zonas abiertas. Utilice ventiladores para disipar el humo.
- Peligro provocado por las chispas generadas durante las tareas de soldadura: las chispas que se producen durante las tareas de soldadura pueden causar explosiones o incendios. Mantenga todo material inflamable alejado de la soldadura. No realice tareas de soldadura cerca de materiales inflamables. Las chispas generadas durante los trabajos de soldadura pueden provocar incendios. Tenga a mano un extintor y una persona que vigile lista para usarlo. No realice trabajos de soldadura en bidones o contenedores cerrados.
- Peligro provocado por arco eléctrico: los rayos de los arcos eléctricos pueden provocar quemaduras en los ojos y dañar la piel. Utilice gorro y gafas de seguridad. Utilice protección auditiva y ropa que cubra la zona del cuello. Utilice un casco para soldadura con una lente que proporcione un filtro y sombreado adecuado. Utilice un equipo que le proteja completamente el cuerpo.
- Peligros derivados de los campos electromagnéticos: la corriente de soldadura genera campos electromagnéticos. No se exponga a ella si lleva implantes médicos. No enrolle nunca los cables de soldadura alrededor del cuerpo. Despliegue los cables de soldadura juntos.
- Durante el proceso de soldadura se liberan chispas y metales calientes. No olvide el riesgo de incendio. Retire todos los objetos inflamables del área de trabajo.
- Asegúrese de que el lugar de trabajo dispone de suficiente ventilación. Durante el proceso de soldadura se liberan gases tóxicos, perjudiciales para la salud.
- No suelde envases ni tubos que contengan o que hayan contenido líquidos o gases inflamables (peligro de incendio o explosión).
- No suelde materiales que hayan sido limpiados con líquidos altamente inflamables o que tengan superficies pintadas (riesgo de liberación de gases tóxicos).
- No trabaje en ambientes húmedos o mojados, ni suelde bajo la lluvia.
- Proteja siempre sus ojos con la máscara de soldar que se suministra con el equipo.
- Use guantes y ropa de protección seca, limpia y libre de manchas de aceite o de grasa.
- La escoria que se forma al soldar alcanza a menudo altas temperaturas y puede causar lesiones graves en los ojos al retirarla. Use siempre anteojos de seguridad y guantes.
- Los rayos ultravioleta pueden quemar la piel durante el proceso de soldadura. Por tal motivo use siempre la ropa de protección adecuada.
- El equipo de soldadura está protegido contra sobrecarga. Por eso, al producirse éste se apaga automáticamente. El equipo de soldadura se enciende de nuevo en forma automática después de haberse enfriado lo suficiente.
- Durante la soldadura y el enfriamiento, la pieza de trabajo puede deformarse debido a la fatiga del material. Tenga siempre en cuenta este aspecto
- Solamente se deben utilizar los cables de soldadura (cables de soldadura bajo goma Ø 10 mm<sup>2</sup>) suministrados con el equipo.
- En espacios en los que haya peligro de incendio o explosión, se deben tomar medidas especiales.
- Las uniones por soldadura que vayan a estar sometidas a grandes esfuerzos y deban cumplir determinados requisitos de seguridad solamente podrán ser efectuadas por soldadores autenticados con formación especializada.  
Algunos ejemplos son: calderas de presión, carriles de rodadura, enganches para remolque, etc.
- Atención: conecte la toma a tierra siempre tan cerca del punto de soldadura como sea posible, de tal modo que la corriente de soldadura pueda realizar el recorrido más corto posible desde el electrodo hasta la puesta a tierra.  
¡No conecte nunca la toma a tierra a la carcasa del equipo de soldadura! No conecte nunca la conexión a tierra a elementos con toma a tierra que estén alejados de la pieza, como una cañería que esté en el otro lado de la estancia. De lo contrario, podría dañarse el cableado de protección de la estancia en que esté realizando las soldaduras.

- Los fusibles de las conexiones con las tomas de red deben cumplir los requisitos (VDE 0100). Las tomas de seguridad con toma a tierra sólo pueden tener un fusible máximo de 16A (fusibles o interruptores de seguridad; tipos y datos técnicos: RT14-20, Ø 10 x 38, AC 400 V 16A. IEC 60269. Desatar cargas. Fabricante: Chint). Un fusible mayor puede provocar que se quemen los cables o que se produzca un incendio en el edificio.

## Seguridad eléctrica



*Apague inmediatamente el equipo si:*

- El enchufe o el cable de alimentación están dañados o defectuosos.
- El interruptor está dañado.
- Si observa humo o huele a material aislante quemado.



*¡Advertencia! Dependiendo de las condiciones de la red de suministro de fluido eléctrico en el punto de conexión, la fuente de suministro de corriente al equipo de soldadura puede interferir con el suministro de electricidad a otros usuarios. Si tiene dudas al respecto, solicite información a la empresa de suministro eléctrico local.*

- Verifique que las conexiones del equipo de soldadura y de los cables eléctricos se han llevado a cabo correctamente. Todo riesgo de choques eléctricos puede ser mortal.
- Verifique siempre que las conexiones están correctas, tanto la del portaelectrodo como la del terminal de tierra.
- No tire de los cables para evitar que se dañen. Desconecte los cables antes de desplazar el equipo de soldadura de un lado a otro.
- Evite el contacto con las partes del equipo de soldadura que transportan corriente, el portaelectrodo y el terminal de tierra.
- Verifique siempre que el voltaje de alimentación corresponde con el valor indicado en la placa del equipo.
- Cuando sustituya cables o enchufes: Tire inmediatamente todos los cables o enchufes viejos cuando los haya sustituido por nuevos. Introducir la clavija de un cable suelto en una toma de corriente es una acción peligrosa.
- Para todos los equipos de soldadura que funcionan a 230 voltios, use fusibles de un

mínimo de 16 amperios.

- Uso de cables de extensión: use únicamente los cables de extensión aprobados y aptos para la potencia del equipo. El alma o núcleo debe tener un diámetro mínimo de 1,5 mm<sup>2</sup>. Desenrolle completamente el cable si se encuentra enrollado en un carrete.
- Todas las tareas en los elementos bajo tensión como, cables, enchufes machos o hembras, etc., deberán ser realizadas exclusivamente por personal electricista especializado.

## 3. Montaje de los accesorios



*Asegúrese de desconectar el equipo de la toma de alimentación mientras instala cualquier accesorio.*

### Instalación del equipo

- Instale el equipo de soldadura en un lugar seco y limpio (libre de polvillo de hierro, polvo y pinturas).
- Coloque el equipo de soldadura sobre una superficie estable y llana, retirado como mínimo 20 cm de la pared.
- Proteja el equipo de soldadura de la lluvia y de los rayos directos del sol.

### La máscara de soldar

#### Fig. 2

- Deslice la empuñadura de la máscara de soldar hasta que bloquee.
- Coloque el cristal transparente (cristal protector) delante del cristal de soldar oscuro. Deslice ambos cristales en la parte delantera de la abertura.
- Asegúrese de que los cristales quedan instalados en forma tal que no pueda penetrar ninguna luz (perjudicial) a través de la abertura.
- Sustituya el cristal de protección transparente cuando la visibilidad de la pieza de trabajo sea insuficiente mientras está soldando. La sustitución del cristal de soldar oscuro es considerablemente más costosa que la sustitución del cristal transparente de protección.

### Instalación de electrodos nuevos

Un electrodo consiste en un alma de metal provista de un revestimiento. Por uno de los extremos del electrodo el alma está descubierta.

- Presione la empuñadura del portaelectrodo contra el resorte.
- Coloque un electrodo con extremo no recubierto ( $\pm 2$  cm) en el portaelectrodo. Asegúrese de que la parte no recubierta hace buen contacto con la parte metálica del portaelectrodo (no introduzca el electrodo demasiado profundo en el portaelectrodo).
- Suelte nuevamente la empuñadura. El electrodo ha quedado instalado.



*¡Atención! No deje consumir el electrodo hasta longitudes inferiores a  $\pm 5$  cm; esto causa recalentamiento y/o deformación del portaelectrodo. Por otro lado, será difícil de retirar el electrodo quemado.*

#### Extracción de electrodos usados

Presione la empuñadura contra el resorte de manera que el electrodo usado pueda liberarse del portaelectrodo.



*¡Atención! No extraiga el electrodo con la mano. ¡Este estará demasiado caliente!*



*¡Atención! Tenga cuidado con el lugar donde cae el electrodo; así evitará riesgos de incendio y posibles lesiones.*

## 4. Funcionamiento

### Antes de su utilización:

- Información general sobre soldadura eléctrica por arco
- El electrodo
- Ropa de protección
- Protección para el rostro
- El lugar de trabajo

### a. Información general sobre soldadura eléctrica por arco

La temperatura del arco alcanza unos 7.000° centígrados aproximadamente, permitiendo fundir el extremo del electrodo y la pieza de trabajo. Mientras se mantenga el arco, se funde el electrodo proporcionando la cantidad de material fundente para unir las partes. La distancia entre el electrodo y la pieza de trabajo debe ser lo más corta posible (1,5 - 4 mm aprox.). Esto depende del diámetro y del tipo del electrodo. La corriente necesaria para soldar es suministrada por el equipo de soldadura. La potencia que requiere el equipo de soldadura depende del tipo de trabajo que se va a ejecutar.

Asegúrese de que los electrodos están completamente secos; los electrodos húmedos ocasionan problemas. Si durante el proceso de soldadura el electrodo se queda pegado a la pieza de trabajo, es porque la intensidad de la corriente es demasiado baja.

### b. El electrodo

- Un electrodo consiste en un alma de metal provista de un revestimiento. El revestimiento tiene como función principal proteger del oxígeno y del nitrógeno contenidos en el aire circundante el baño de fusión y la transferencia de las gotas de metal fundido. El electrodo se funde durante el proceso de soldadura. Una parte del revestimiento se evapora creando una pantalla protectora gaseosa. Otra parte del revestimiento flota por encima del baño de fusión (es más liviano que el acero) protegiendo también el enfriamiento de la soldadura. Después de enfriarse, el revestimiento queda como una capa de escoria sólida, de fácil remoción, sobre el cordón de la soldadura.
- Manipule los electrodos cuidadosamente para que no se rompa el revestimiento. Asegúrese de que los electrodos están completamente secos; para ello, almacénelos en un lugar libre de humedad.
- Es de vital importancia emplear el electrodo correcto para obtener un cordón de soldadura fuerte y de buena calidad. En muchos casos un electrodo universal será el más adecuado para su trabajo. En el embalaje del electrodo se indica en qué posiciones se puede realizar la soldadura con el electrodo correspondiente (por encima de la cabeza, hacia abajo, etc. teniendo en cuenta la velocidad con que se funde el electrodo). Existen en el mercado electrodos diseñados especialmente para soldar diferentes tipos de acero inoxidable o hierro fundido. Consulte a su distribuidor para adquirir el electrodo correcto.

### c. Ropa de protección

Use ropa de protección que lo cubra completamente, reduciendo así el riesgo de quemaduras de la piel por efectos de los rayos ultravioleta o de las partículas de metal. Use preferiblemente monos de algodón, guantes para soldar y calzado de seguridad. Asegúrese de que las chispas que produce la soldadura no van a parar entre sus guantes o entre sus zapatos. Un delantal (de cuero), especial para soldar, evita

que la ropa se quemara a causa de las chispas que libera la soldadura.

#### d. Protección para el rostro

##### Fig. 2

Use una buena máscara con cristal de soldar (oscuro) y cristal protector. Verifique que ambos cristales están correctamente instalados (bien asegurados y no permiten el paso de la luz del sol).

La máscara de soldar protege al soldador de la radiación, el calor y las chispas producidas durante el proceso de soldadura. Asimismo, reduce el riesgo de inhalación de humos. Los rayos invisibles ultravioleta ocasionan el llamado "resplandor del soldador". Esta quemadura se origina tras mirar directamente el rayo eléctrico por unos cuantos segundos.

Evite exponer el rostro y otras partes del cuerpo como el cuello y los brazos a los efectos de esta radiación y de las altas temperaturas.

Proteja contra los efectos peligrosos del arco y mantenga a las personas que no intervengan en el trabajo a un mínimo de 15 m de distancia del arco.

El personal o los auxiliares que se encuentren también cerca del arco deberán estar informados de los peligros y provistos de los protectores necesarios. Si fuera necesario, instale pantallas protectoras.

#### e. El lugar de trabajo

- Asegúrese de tener una buena ventilación en la zona de trabajo. Durante el proceso de soldadura se liberan gases tóxicos perjudiciales para la salud.
- Retire toda clase de objetos inflamables del área de trabajo. Durante el proceso de soldadura se liberan chispas y metales calientes.
- Asegúrese de tener agua fría en inmediaciones del lugar de trabajo. No deje desatendida ninguna pieza de trabajo (caliente) que haya acabado de soldar. Antes de abandonar el lugar de trabajo, enfríe la pieza soldada.

#### Protección contra radiación y quemaduras

- Señalice, en el lugar de trabajo, el peligro de daño en los ojos mediante el mensaje: "Precaución: No mire hacia la llama." Los lugares de trabajo se deben aislar, en la medida de lo posible, de modo que las personas que se encuentren cerca estén adecuadamente protegidas. Se debe

mantener alejados de las tareas de soldadura a todos los que no estén implicados en ellas.

- En el entorno inmediato a lugares de trabajo fijos, las paredes no deben tener colores claros ni ser brillantes. Las ventanas deben estar protegidas, al menos, hasta la altura de la cabeza contra el paso o el reflejo de radiación, por ejemplo: mediante una pintura adecuada.

#### Utilización del equipo

##### Fig. 3

Consejo: Antes de empezar a soldar piezas difíciles, practique primero soldando piezas de prueba.

- Verifique que el lugar de trabajo está limpio: retire toda clase de residuos de óxido, grasa y pintura.
- Ajuste la intensidad de la corriente haciendo uso del botón ubicado en la parte frontal del equipo de soldadura. La elección de la intensidad de la corriente depende de la pieza a soldar y del tipo de electrodo que vaya a utilizar.
- Coloque la parte del electrodo que no tiene recubrimiento en el portaelectrodo y conecte el terminal de tierra a la pieza de trabajo.
- Encienda el equipo de soldadura haciendo uso del interruptor principal.
- Sostenga la máscara de soldar delante de la cara y deslice la punta del electrodo sobre la pieza de trabajo como si fuese a rastrillar una cerilla. Esta es la mejor manera de iniciar el arco de soldar. No golpee la pieza de trabajo con el electrodo. Esto dañará el electrodo impidiendo la creación del arco de soldar.
- Inmediatamente se haya creado el arco de soldar, trate de mantener la misma distancia entre la punta del electrodo y la pieza de trabajo. Esta distancia debe ser igual al diámetro del electrodo. Mantenga esta distancia lo más constante posible durante el proceso de soldadura.
- Deslice el electrodo con un movimiento lento y gradual sobre la pieza de trabajo.
- Mantenga un ángulo de 60° o 70° en la dirección del movimiento entre el electrodo y la pieza de trabajo.
- Cuando haya terminado el cordón de soldadura, rompa el arco retirando el electrodo de la pieza de trabajo.
- Apague el equipo de soldadura.



*¡Atención! Si deja encendido el equipo de soldadura, hay una alta posibilidad de que el electrodo haga contacto (a través de la mesa de trabajo) con el cable de tierra y se inicie el proceso espontáneamente.*

- Retire la escoria del cordón de soldadura empleando un martillo desincrustador.



*Tenga cuidado con las partes calientes que puedan desprenderse. Use siempre anteojos de seguridad.*

- No suelde nunca sobre residuos de escoria; ésta es una capa aislante y contaminada y, por lo tanto, debilita la soldadura (llamada también inclusión de escoria).
- Limpie la soldadura utilizando un cepillo de alambre.



*¡Atención! La pieza de trabajo aún tiene una alta temperatura. No la deje desatendida.*

### **Piloto luminoso indicador de la temperatura** **Fig. 1**

Cuando la temperatura del equipo de soldadura aumenta demasiado, el termostato incorporado se apaga (la luz del piloto luminoso se enciende). El ventilador incorporado se encarga de enfriar el equipo. Una vez alcanzado el nivel de enfriamiento correcto, el piloto se apaga nuevamente. De preferencia, permita que el equipo se enfríe durante el tiempo suficiente; cuando se está soldando en forma intensiva el riesgo es alto de que el interruptor de corte vuelva a activarse tras unos cuantos minutos.

## **5. Servicio y mantenimiento**



*Antes de cualquier trabajo de mantenimiento o limpieza saque siempre el enchufe de la caja de corriente (enchufe de pared). No utilice nunca agua u otros líquidos para limpiar las partes eléctricas de su pulidora.*

Los aparatos han sido diseñados para funcionar correctamente durante un largo periodo de tiempo necesitando un mantenimiento mínimo. Manteniendo limpio el aparato y usándolo correctamente, conseguirá alargar la vida útil de los aparatos.

### **Fallos**

A continuación se indican varias posibles causas y soluciones si la máquina no funciona correctamente.

#### **El equipo de soldadura no funciona**

- El terminal de tierra no está haciendo buen contacto con la pieza de trabajo.
- El electrodo no está colocado en la posición correcta en el portaelectrodo.
- El interruptor de corte por causas térmicas está apagado.
- El fusible está quemado (en la caja del contador), o la protección térmica se ha quemado.
- El cable está interrumpido.
- El interruptor está malo. Contacte a su distribuidor.

#### **El electrodo se sigue pegando a la pieza de trabajo.**

- Use el tipo de electrodo correcto (universal).
- La intensidad de la corriente es demasiado baja/gire el botón 3 en la dirección de las manecillas del reloj.

#### **El electrodo está de color anaranjado**

- La intensidad de la corriente es demasiado alta para este tipo de electrodo/gire el botón 3 en dirección contraria a las manecillas del reloj.

#### **El electrodo salpica excesivamente y hace mucho ruido durante el proceso de soldadura**

- La intensidad de la corriente es demasiado alta/gire el botón 3 en la dirección contraria a las manecillas del reloj.

#### **El equipo está demasiado caliente; el piloto luminoso está encendido**

- Las ranuras de ventilación están bloqueadas. Límpielas con un paño seco. Espere unos minutos hasta que se apague de nuevo el piloto luminoso.



*Las reparaciones y trabajos de mantenimiento deben realizarlas técnicos cualificados o una compañía de servicios.*

#### **Limpieza**

- Asegúrese de que las ranuras de ventilación están libres de polvo y suciedad.

Para eliminar la mugre tenaz use un paño suave humedecido en agua jabonosa. No use disolventes como gasolina, alcohol, amoníaco, etc.

- Asegúrese de que el portaelectrodo y el terminal de tierra permanezcan libres de óxido para que puedan hacer buen contacto eléctrico.
- Revise regularmente que el cable de soldar y el de la pieza de trabajo estén bien conectados en las clavijas.

### Engrasado

El aparato no necesita ser engrasado.

### Averías

Si se presenta una avería, por ejemplo, por el desgaste de una pieza, póngase en contacto con el proveedor de servicios indicado en la tarjeta de garantía. En el dorso de este manual encontrará un amplio resumen de las partes de recambio que se pueden ordenar.

### Uso ecológico

Para prevenir los daños durante el transporte, el aparato ha sido embalado. Dicho embalaje está hecho, en la medida de lo posible, de material reciclable. Le rogamos, por lo tanto, que recicle dicho material.



*Cualquier aparato eléctrico o electrónico desechado y/o defectuoso tiene que depositarse en los lugares apropiados para ello.*

### Garantía

Lea atentamente las condiciones de garantía indicadas en la tarjeta de garantía que aparece en este manual de instrucciones.

## MÁQUINA DE SOLDAR

**Os números no texto seguinte referem-se aos desenhos na página 2 + 109**



*Para a sua própria segurança e para a segurança dos outros, leia cuidadosamente estas instruções antes de utilizar este aparelho. Vai ajudá-lo a compreender o produto mais facilmente e a evitar riscos desnecessários. Guarde este manual de instruções num local seguro para futuras utilizações.*

### Introdução

O processo de soldagem por fusão é utilizado para fundir o material da peça a trabalhar sob a influência do calor fornecido. Com a soldadura por arco eléctrico também é utilizado material de soldadura (eléctrodos). A solda é originada depois da solidificação.

O calor necessário é obtido mantendo um arco eléctrico entre o eléctrodo e a peça a trabalhar. O processo de soldadura necessita de uma corrente forte (40-100 A) com uma voltagem relativamente baixa (10-48 V) Um transformador na máquina de soldar assegura a redução da voltagem da rede eléctrica (230 V).

O aparelho não foi concebido para o uso industrial.

### Conteúdos

1. Informações da máquina
2. Instruções de segurança
3. Acessórios de montagem
4. Utilização
5. Serviço e manutenção

## 1. Informações da máquina

### Especificações técnicas

Voltagem	230 V ~
Frequência	50 Hz
Potência de soldagem	40-100 A
Voltagem de ignição	≤ 48 V
Espessura do eléctrodo	1.6 - 2.5 mm
Peso	13.2 kg
Dimensões	290x195x170 mm
Protecção térmica	100°C ± 5°C
Cabo de alimentação	H07RN-F, 3G x 1.5 mm <sup>2</sup>
Cabo de soldagem	H01N2-D1 x 10 mm <sup>2</sup>

### Conteúdo da embalagem

- 1 Máquina de soldar
- 1 Máscara de soldar
- 1 Escova de arame/martelo picador
- 1 Manual do Utilizador
- 1 Instruções de segurança
- 1 Postal de garantia

Inspeccione a máquina, as peças soltas e os acessórios quanto a danos de transporte.

## Características

### Fig. 1

1. Lâmpada indicadora de temperatura
2. Interruptor Ligar/Desligar
3. Botão rotativo para regular a intensidade da corrente
4. Cabo de soldagem com suporte do eléctrodo
5. Fio de terra com fixação
6. Tampa de borracha
7. Pega
8. Ranhuras de ventilação
9. Escova de arame/martelo picador
10. Máscara de soldar
11. Eléctrodos

## Tabela: regular e usar

Ø Eléctrodo (mm)	Intensidade da corrente (A)	Adequado para, entre outros:
1.6	45-55	Espessura do material $\leq 2$ mm Reparação de motorizadas/bicicletas
2	50-75	Espessura do material 2-3 mm Reparação de estantes
2.5	70-100	Espessura do material 4-5 mm Vedações de jardim, brinquedos de jardim
3.2	95-150	Espessura do material 6-7 mm Abrigo, garagem
4	130-220	Espessura do material 8-12 mm Construção (pesada)
5	190-250	Espessura do material $\geq 12$ mm Construção (muito pesada)



Desligue imediatamente a ficha da corrente eléctrica caso o fio de alimentação esteja danificado durante as tarefas de manutenção.



Mantenha as pessoas à distância.



Proteja de encontro à chuva.



Utilize protecção visual e auditiva.



Use luvas de protecção.



Use sempre uma máscara de soldadura enquanto soldar.



Use roupa de protecção

**EN60974-6** Norma para máquinas de soldar para soldadura por arco metálica manual com funcionamento limitado.



Suporte do eléctrodo



Terminal de terra



Queda de voltagem



Transformador monofásico



Circuito de alimentação, número de fases (por exemplo, 1 ou 3), símbolo de corrente alternada e frequência nominal (por exemplo, 50 Hz ou 60 Hz)



Diâmetro do eléctrodo



Fusível 16A



Corrente de alimentação efectiva máxima

## 2. Instruções de segurança

### Explicação de símbolos



Cuidado! Leia o manual de instruções




Indica o risco de ferimentos, perda de vida ou danos na ferramenta, se não seguir as instruções deste manual.



Indica o perigo de choque eléctrico.

**I<sup>2</sup>** *Intensidade da corrente secundária em Amperes*

 *Tempo de soldadura máximo nominal no modo intermitente*

 *Tempo de soldadura máximo nominal no modo contínuo*

**IP21S** *Classe de protecção. Protecção contra penetração de objectos até 12 mm e contra a queda de gotas de água na perpendicular. Paragem com controlo de água.*

**H** *Classe de isolamento*

**U<sup>0</sup>** *Voltagem em aberto em Volts*

**U<sup>1</sup>** *Voltagem da rede eléctrica em Volts*

**U<sup>2</sup>** *Valores da tensão convencional de carga*

*Classificação CEM em conformidade com a norma IEC 60974-10*

### Instruções de segurança gerais para máquinas de soldar

- Risco de choque eléctrico: um choque eléctrico provocado pelo eléctrodo de soldadura pode matar. Não realize operações de soldadura quando exposto a chuva ou neve. Utilize luvas isolantes secas. Não toque no eléctrodo com as mãos desprotegidas. Não utilize luvas que estejam molhadas ou danificadas. Proteja-se contra choques eléctricos, mantendo-se isolado da peça de trabalho. Não abra a caixa do equipamento.
- Risco induzido por fumos de soldadura: inalar fumos de soldadura pode ser perigoso para a saúde. Mantenha a cabeça afastada dos fumos. Utilize equipamento em espaços abertos. Utilize um aparelho de ventilação para eliminar os fumos.
- Risco induzido por faíscas de soldadura: as faíscas de soldadura podem provocar explosões ou incêndios. Mantenha materiais inflamáveis afastados do equipamento de soldadura. Não realize operações de soldadura próximo de materiais inflamáveis. As faíscas de soldadura podem provocar incêndios. Mantenha um extintor próximo da zona de trabalho e solicite a presença de alguém que esteja atento ao seu trabalho e pronto para utilizar o extintor. Não realize operações de soldadura em bidões ou outros recipientes fechados.
- Risco induzido pelo arco: os raios do arco podem causar queimaduras nos olhos e ferimentos na pele. Utilize capacete e óculos de protecção. Utilize protecção para os ouvidos e abotoe a gola da camisola. Utilize um capacete de soldador que disponha de um filtro com um nível de protecção adequado. Utilize vestuário de protecção completo para o corpo.
- Risco induzido por campos electromagnéticos: a corrente de soldadura produz um campo electromagnético. Não utilize o equipamento se possui implantes médicos. Nunca coloque os cabos de soldadura em torno do seu corpo. Oriente os cabos de soldadura em conjunto.
- O utilizador da máquina deve ter recebido instrução acerca da utilização e funcionamento da máquina.
- Assegure um ambiente de trabalho bem iluminado e limpo.
- Desligue sempre a ficha da tomada antes de efectuar qualquer manutenção na máquina.
- Retire a ficha da tomada quando deixar a máquina.
- Não use a máquina antes de ter montado e instalado a máquina completamente como descrito neste manual.
- Instruções de segurança específicas para máquinas de soldar
- A soldagem provoca faíscas e metal quente. Não se esqueça que isto representa um perigo de incêndio e, por isso, retire todos os objectos inflamáveis do ambiente de trabalho.
- Assegure uma boa ventilação no ambiente de trabalho. Quando está a soldar são libertados gases que são um perigo para a sua saúde.
- Não solde recipientes ou tubos que contenham ou tenham contido líquidos ou gases inflamáveis (perigo de incêndio ou explosão).
- Não solde materiais que tenham sido limpos com líquidos altamente inflamáveis ou que tenham superfícies pintadas (possibilidade de libertação de gases perigosos).
- Não trabalhe num ambiente húmido ou molhado e não solde à chuva.
- Proteja sempre os seus olhos com a máscara de soldar fornecida.
- Use luvas e vestuário de protecção que



estejam secos e que não tenham óleo ou sujidade entranhados.

- A escória a ser lascada está por vezes muito quente e pode causar graves lesões nos olhos durante a remoção. Use sempre óculos e luvas de protecção.
- Os raios ultravioleta podem queimar a sua pele durante a soldagem. Por isso, use sempre vestuário de protecção adequado.
- A sua máquina de soldar está protegida contra sobrecarga. Deste modo, a máquina de soldar desliga automaticamente se sofrer uma sobrecarga. A máquina de soldar volta a ligar automaticamente depois de ter arrefecido suficientemente.
- Durante a soldagem e o arrefecimento a sua peça a trabalhar pode deformar-se devido à tensão. Tenha sempre isto em conta.
- Só devem ser utilizados os cabos de soldadura fornecidos (cabo de soldadura em borracha  $\varnothing$  10 mm<sup>2</sup>).
- Em compartimentos potencialmente inflamáveis ou explosivos, são válidas prescrições especiais.
- Juntas soldadas, que estejam sujeitas a grande desgaste e tenham de cumprir determinados requisitos de segurança, só devem ser efectuadas por soldadores especialmente formados e certificados.  
Exemplos: recipientes de pressão, carris de rolamento, acoplamentos de reboques etc.
- Atenção: ligue sempre o terminal de terra o mais próximo possível do local da soldadura, de forma que a corrente de soldadura faça o caminho mais curto desde o eléctrodo até ao terminal de terra. Nunca ligue o terminal de terra à caixa do aparelho de soldadura! Nunca ligue o terminal de terra em partes ligadas à terra, que se encontrem afastadas da peça a ser trabalhada, p. ex. um cano de água num outro canto do compartimento. Caso contrário, o sistema de protecção da ligação à terra do compartimento onde estiver a soldar pode ficar danificado.
- As protecções fusíveis das linhas adutoras para as tomadas de rede devem cumprir as directivas (VDE 0100). Tomadas de contacto de protecção devem estar protegidas por fusível (fusíveis ou interruptores automáticos) até um máx. de 16A (tipos e dados técnicos: RT14-20,  $\varnothing$  10 x 38, AC 400 V 16A. IEC 60269. Accionar fusível de acção retardada. Fabricante: Chint). Fusíveis mais potentes podem provocar a combustão dos cabos ou

danos no edifício devido a incêndio.

## Segurança eléctrica



*Desligue imediatamente a máquina se:*

- *Houver um defeito na ficha, cabo de alimentação ou se o cabo estiver danificado.*
- *O interruptor estiver defeituoso.*
- *Vir fumo ou lhe cheirar a isolamento queimado.*



*Aviso! Dependendo das condições de fornecimento de electricidade no ponto de ligação, a fonte de energia para soldar pode causar interferência no fornecimento de electricidade a outros. Se houver alguma dúvida acerca desta questão, aconselhe-se na empresa de electricidade.*

- Certifique-se de que as ligações da máquina de soldar e dos cabos eléctricos estão correctamente feitas. Qualquer possibilidade de choque eléctrico pode colocar a vida em perigo.
- Certifique-se sempre de que as ligações estão bem feitas, tanto para o suporte do eléctrodo como para o terminal de terra.
- Não permita que os cabos eléctricos sejam danificados ao puxar por eles. Desligue os cabos antes de deslocar a máquina de soldar.
- Evite o contacto com a parte condutora de electricidade da máquina de soldar, do suporte do eléctrodo e do terminal de terra.
- Verifique sempre se a voltagem da rede eléctrica corresponde ao valor indicado na chapa de tipo da máquina.
- Com a substituição de cabos ou fichas: Desfaça-se imediatamente de fichas ou cabos velhos assim que estes tenham sido substituídos por novos. É perigoso introduzir uma ficha de cabo solta numa tomada.
- Para todas as máquinas de soldar que funcionem a 230 Volts use pelo menos fusíveis de 16 Amperes
- Quando forem utilizados cabos de prolongamento:
- Use apenas um cabo de prolongamento aprovado que seja adequado para a potência da máquina.
- Os condutores têm que ter um diâmetro de pelo menos 1,5 mm<sup>2</sup>. Desenrole completamente o cabo se o cabo de

prolongamento estiver num enrolador.

- Os trabalhos no lado da tensão de rede, p. ex. em cabos, fichas, tomadas etc. só devem ser efectuados por um electricista.

### 3. Acessórios de montagem



*Certifique-se de que a ficha foi retirada da tomada durante a montagem de acessórios.*

#### Instalação da máquina

- Instale a máquina de soldar num espaço limpo e seco (livre de pó de ferro, poeiras e tinta).
- Coloque a máquina de soldar numa superfície firme e plana e pelo menos a 20 cm da parede.
- Proteja a máquina de soldar contra chuva e luz do sol forte.

#### A máscara de soldar

##### Fig. 2

- Deslize o manípulo na máscara de soldar até que este bloqueie.
- Coloque o vidro claro (vidro de protecção) em frente ao vidro escuro de soldar. Deslize os dois vidros em frente da abertura.
- Certifique-se de que os vidros são posicionados de modo que não possa agora entrar luz (prejudicial) pela abertura.
- Substitua o vidro de protecção claro quando a visão da peça a trabalhar se tornar insuficiente durante a soldagem. Substituir o vidro de soldagem escuro é consideravelmente mais dispendioso do que substituir o vidro de protecção claro.

#### Encaixar novos eléctrodos

O eléctrodo consiste num núcleo metálico fechado por um revestimento. Numa ponta do eléctrodo o núcleo não está coberto pelo revestimento.

- Prima a alavanca do suporte do eléctrodo contra a mola.
- Coloque um eléctrodo com ponta sem revestimento ( $\pm 2$  cm) no suporte do eléctrodo. Certifique-se de que a parte não revestida faz bom contacto com a parte metálica do suporte do eléctrodo (eléctrodo não empurrado para muito longe no suporte do eléctrodo)
- Liberte a alavanca da pega. O eléctrodo está agora fixo.



*Atenção! Não permita que o eléctrodo gaste até comprimentos inferiores a  $\pm 5$  cm devido ao sobreaquecimento e/ou deformação do suporte do eléctrodo. O eléctrodo derretido até ao fim será então difícil de remover.*

#### Retirar eléctrodos usados

Prima a pega do suporte do eléctrodo contra a mola de modo que o eléctrodo gasto possa cair do suporte.



*Atenção! Não retire o eléctrodo do suporte com a mão. O eléctrodo está muito quente!*



*Atenção! Veja onde os desperdícios do eléctrodo caem para evitar o perigo de incêndio e possíveis danos físicos.*

### 4. Utilização

#### Antes de utilizar

- Informação geral acerca da soldadura por arco eléctrico
- O eléctrodo
- Vestuário de protecção
- Protecção facial
- Ambiente de trabalho

#### a. Informação geral acerca da soldadura por arco eléctrico

A temperatura do arco vai até cerca de 7000° Celsius, deste modo a ponta do eléctrodo e a peça a trabalhar fundem-se. Quanto mais tempo o arco for mantido, mais o eléctrodo fundirá e fornecerá o material de soldagem às peças a serem unidas. A distância entre o eléctrodo e a peça a trabalhar deve ser a mais curta possível (aprox. 1,5 - 4 mm) dependendo do diâmetro e do tipo de eléctrodo. A corrente necessária para soldar é fornecida pela máquina de soldar. A potência necessária fornecida pela máquina de soldar depende do trabalho a ser feito. Certifique-se de que os eléctrodos estão completamente secos, isto porque os eléctrodos húmidos causam problemas. Se o eléctrodo se colar à peça a trabalhar durante a soldagem a intensidade da corrente é regulada para muito baixa.

#### b. O eléctrodo

- O eléctrodo consiste num núcleo metálico fechado por um revestimento. O revestimento

tem como objectivo principal proteger o banho de solda e as gotas daí resultantes contra oxigénio e nitrogénio no ar envolvente. O eléctrodo funde-se durante a soldagem. Uma parte do revestimento evapora e forma-se uma protecção gasosa.

Uma parte do revestimento bóia no banho de solda (é mais leve do que o aço) e também protege o arrefecimento da solda. Depois do arrefecimento este revestimento torna-se numa escória sólida mas fácil de remover da junta soldada.

- Manuseie os eléctrodos com cuidado para que o revestimento não se parta. Certifique-se de que os eléctrodos estão bem secos, por isso guarde-os num local onde não haja humidade.
- Para fazer uma junta soldada boa e forte é de grande importância usar o eléctrodo correcto. Um eléctrodo universal será em muitos casos adequado para o seu trabalho. A embalagem do eléctrodo menciona em que posições a soldadura deve ser feita com os respectivos eléctrodos (por cima da cabeça, para baixo, etc., tendo em conta a velocidade de fusão do eléctrodo). Estão disponíveis no mercado eléctrodos vendidos em separado para soldar tipos de aço inoxidável e ferro fundido. Consulte o seu representante acerca da aquisição do eléctrodo correcto.

### c. Vestuário de protecção

Use vestuário que lhe cubra todo o corpo, de modo que a possibilidade de queimar a pele por raios ultravioleta ou por salpicos de metal seja minimizada.

De preferência, use vestuário de algodão em todo o corpo, luvas de soldar e calçado de protecção. Tenha cuidado para que os salpicos de solda não lhe atinjam as luvas e os sapatos.

Um avental de soldar (cabedal) evita que as faíscas queimem o vestuário de soldar.

### d. Protecção facial

#### Fig. 2

Use uma boa máscara de soldar com vidro de soldar (escuro) e vidro de protecção. Verifique se os dois vidros estão correctamente encaixados (bem fixos e não permitindo a entrada de luz solar).

A máscara de soldar protege o soldador contra radiação, calor e salpicos de solda libertados durante o processo de soldadura. Isto também reduz a inalação de fumos de soldadura.

Os raios ultravioleta invisíveis causam a cegueira

do soldador. Este efeito pode acontecer em qualquer exposição aos raios mesmo que olhe apenas alguns segundos para o arco eléctrico. Evite os efeitos desta radiação e de temperaturas elevadas na face e noutras partes do corpo expostas, tais como: pescoço e braços.

Proteja-se contra os efeitos perigosos do arco eléctrico e mantenha as pessoas não afectas à função a, pelo menos, 15 m de distância do arco eléctrico.

Mesmo as pessoas ou ajudantes, que se encontrem próximo do arco eléctrico, devem conhecer os perigos e estar equipados com os meios de protecção necessários. Se necessário, colocar painéis de protecção.

### e. Ambiente de trabalho

- Assegure um ambiente de trabalho bem ventilado. Quando está a soldar são libertados gases que são um perigo para a sua saúde.
- Retire todos os objectos inflamáveis do local de trabalho. A soldagem provoca faíscas e metal quente.
- Certifique-se de que existe água de arrefecimento junto do local de trabalho. Não deixe peças (quentes) acabadas de soldar sozinhas no local de trabalho. Arrefeça a peça antes de deixar o local de trabalho.

### Protecção contra irradiação e queimaduras

- No local de trabalho colocar placas com o aviso “Cuidado! Não olhar para a chama!” de forma a chamar a atenção para os riscos oculares. Os locais de trabalho devem ser resguardados o melhor possível, de forma que as pessoas que se encontrem próximo também estejam protegidas. As pessoas não autorizadas devem manter-se afastadas dos trabalhos de soldadura.
- Na proximidade directa dos locais de trabalho fixos, as paredes não devem ser claras nem brilhantes. As janelas devem estar protegidas até, pelo menos, à altura da cabeça contra os salpicos da irradiação, p. ex. mediante uma pintura adequada.

### Colocar em funcionamento

#### Fig. 3

Dica: Antes de começar a soldar peças difíceis é melhor primeiro tentar soldar numa peça de teste.

- Assegure uma peça a trabalhar limpa: retire quaisquer resíduos de ferrugem, lubrificante e tinta.

- Regule a intensidade de corrente necessária utilizando o botão na parte da frente da máquina de soldar. A escolha da intensidade de corrente depende da peça a trabalhar e do tipo de eléctrodo usado.
- Coloque a parte do eléctrodo sem revestimento no suporte do eléctrodo e ligue o terminal de terra à peça a trabalhar.
- Ligue a máquina de soldar no interruptor principal.
- Mantenha a máscara de soldar na frente da sua face e mova a ponta do eléctrodo sobre a peça a trabalhar como se estivesse a riscar um fósforo. Esta é a melhor maneira para iniciar o arco de soldadura. Não bata com o eléctrodo contra a peça a trabalhar. Isto danificará o eléctrodo e impedirá a criação do arco de soldadura.
- Depois de criar o arco de soldadura, tente imediatamente manter a distância igual entre a ponta do eléctrodo e a peça a trabalhar. Mantenha esta distância igual para o diâmetro do eléctrodo. Mantenha esta distância o mais constante possível durante a soldadura.
- Mova o eléctrodo num movimento de puxar gradual sobre a peça a trabalhar.
- Mantenha o ângulo entre o eléctrodo e a peça a trabalhar entre 60° e 70° na direcção do movimento.
- Quando a junta soldada tiver sido feita, parta o arco de soldadura retirando o eléctrodo da peça a trabalhar.
- Desligue a máquina de soldar.



*Atenção. Se deixar a máquina de soldar ligada, existe uma grande probabilidade do eléctrodo fazer contacto (através da bancada de trabalho) com o fio de terra e começar espontaneamente a soldar.*

- Retire a escória da junta soldada com um martelo picador.



*Tenha cuidado com as partículas de metal quentes que possam ser projectadas. Use sempre óculos de protecção.*

- Nunca solde sobre resíduos de escória: a escória forma uma camada de sujidade e de isolamento, o que resulta num enfraquecimento da soldadura (designado como inclusão de escória).
- Limpe a soldadura escovando-a com uma escova de arame.



*Atenção. A peça a trabalhar continua a uma temperatura muito elevada. Não deixe a peça quente sozinha.*

### Lâmpada indicadora de temperatura

#### Fig.1

Quando a temperatura da máquina de soldar ficar demasiado elevada, o termóstato incorporado desligará (a luz indicadora acende). O ventilador incorporado arrefece a máquina. Depois de arrefecer, a lâmpada apaga-se novamente. De preferência, dê tempo suficiente para que a máquina arrefeça; com soldadura intensa é bastante provável que a segurança térmica desapare novamente após alguns minutos.

## 5. Serviço e manutenção



*Certifique-se que a máquina não está sob tensão sempre que levar a cabo os trabalhos de manutenção no motor.*

As máquinas foram concebidas para operar durante de um período de tempo prolongado com um mínimo de manutenção. A continuidade do funcionamento satisfatório da máquina depende da adequada manutenção da máquina e da sua limpeza regular.

### Falhas

No caso de falha da máquina, há um número de causas possíveis e as soluções apropriadas são dadas a seguir.

#### A máquina de soldar não está a funcionar

- O terminal de terra não tem bom contacto com a peça a trabalhar
- O eléctrodo não está correctamente posicionado no seu suporte
- Segurança térmica desligada
- Fusível defeituoso (na caixa do contador), ou a protecção térmica está queimada.
- O cabo está partido
- O interruptor está defeituoso/contacte o seu representante.

#### O eléctrodo continua a “colar” à peça a trabalhar

- Use o tipo de eléctrodo correcto (universal)
- A intensidade da corrente está baixa demais/ rode o botão 3 para a direita

#### O eléctrodo está laranja-avermelhado

- A intensidade da corrente está alta demais para este tipo de eléctrodo/rode o botão 3 para a esquerda



Os aparelhos eléctricos ou electrónicos avariados e/ou eliminados têm de ser recolhidos nos pontos de reciclagem adequados.

### O eléctrodo salpica excessivamente e faz bastante ruído durante a soldadura

- A intensidade da corrente está alta demais/ rode o botão 3 para a esquerda

### A máquina está quente demais, a lâmpada indicadora está acesa

- As ranhuras de ventilação estão bloqueadas/ limpe-as com um pano seco, espere alguns minutos até que a lâmpada se volte a apagar



*Reparações e assistência apenas devem ser feitas por técnicos qualificados ou empresa de assistência.*

### Limpeza

- Certifique-se de que as ranhuras de ventilação estão livres de poeiras e sujidade. Use um pano suave humedecido com uma solução de água e sabão para remover a sujidade mais entranhada. Não use quaisquer solventes como petróleo, álcool ou amoníaco, etc.
- Certifique-se de que o suporte do eléctrodo e o terminal de terra permanecem livres de corrosão de modo que possam continuar a fazer bom contacto eléctrico.
- Verifique regularmente se os cabos da peça a trabalhar e da máquina de soldar estão firmemente ligados nas suas ligações.

### Lubrificação

A máquina não requer qualquer lubrificação adicional.

### Falhas

Se ocorrer uma falha, por exemplo, como resultado de desgaste duma peça, contacte a assistência.

No fim deste manual do operador encontra um diagrama de componentes expandido com as peças que pode encomendar.

### Protecção do meio ambiente

Com vista a evitar quaisquer danos de transporte, a máquina é fornecida numa embalagem resistente, fabricada na medida do possível em materiais recicláveis. Entregue, portanto, a embalagem para reciclagem.

## SALDATRICE

*I numeri contenuti nel testo sottostante si riferiscono alle illustrazioni a pagina 2 + 109*



*Per la vostra sicurezza e quella degli altri, per favore leggere attentamente queste istruzioni prima di usare questo apparecchio. Vi aiuteranno a capire il funzionamento del vostro prodotto più facilmente e ad evitare rischi.*

*Conservare questo manuale di istruzioni in un luogo sicuro per uso futuro.*

### Introduzione

Nel procedimento di saldatura per fusione il materiale dell'elemento trattato viene fuso per effetto del calore fornito. Nel caso della saldatura mediante arco elettrico si fa inoltre uso di materiale di saldatura supplementare (elettrodi). La saldatura ha luogo dopo la solidificazione. Il calore richiesto viene ottenuto mantenendo un arco elettrico tra l'elettrodo e l'elemento trattato. Il procedimento di saldatura necessita di una corrente elevata (40-100 A) con un voltaggio relativamente basso (10-48 V). Un trasformatore all'interno dell'apparecchiatura della saldatrice assicura la riduzione della tensione di rete (230 V).

L'apparecchiatura non è adatta per l'utilizzo industriale.

### Contenuti

1. Dettagli dell'apparecchio
2. Misure di sicurezza
3. Montaggio accessori
4. Funzionamento
5. Servizi & manutenzione

## 1. Dettagli dell'apparecchio

### Caratteristiche tecniche

Tensione	230 V ~
Frequenza	50 Hz
Potenza di saldatura	40-100 A
Voltaggio d'ignizione	≤ 48 V
Spessore elettrodi	1.6 - 2.5 mm
Peso	13.2 kg
Dimensioni	290x195x170 mm
Protezione termica	100°C ± 5°C
Cavo di alimentazione	H07RN-F, 3G x 1.5 mm <sup>2</sup>
Cavo di saldatura	H01N2-D1 x 10 mm <sup>2</sup>

### Contenuto della confezione

- 1 Saldatrice
- 1 Maschera per saldatura
- 1 Spazzola metallica/martellina
- 1 Manuale utente
- 1 Misure di sicurezza
- 1 Scheda di garanzia

Verificare che la macchina, le singole parti e gli accessori non abbiano subito danni durante il trasporto.

### Informazioni sul prodotto

#### Fig. 1

1. Spia temperatura
2. Interruttore d'accensione
3. Manopola d'impostazione dell'intensità della corrente
4. Cavo di saldatura con porta elettrodo
5. Cavo di massa con morsetto
6. Cappuccio in gomma
7. Maniglia
8. Aperture di ventilazione
9. Spazzola metallica/martellina
10. Maschera per saldatura
11. Elettrodi

### Tabella: impostazione ed uso

Ø Electrodo (mm)	Intensità di corrente (A)	Esempio di elemento trattato:
1.6	45-55	Spessore materiale ≤ 2 mm Riparazione ciclomotore/bici
2	50-75	Spessore materiale 2-3 mm Riparazione sostegno a parete
2.5	70-100	Spessore materiale 4-5 mm Ringhiera giardino; giochi da giardino
3.2	95-150	Spessore materiale 6-7 mm Saracinesca garage
4	130-220	Spessore materiale 8-12 mm Da costruzione (pesante)
5	190-250	Spessore materiale ≥ 12 mm Da costruzione (molto pesante)

## 2. Misure di sicurezza

### Legenda dei simboli



Attenzione! Leggere il manuale d'istruzioni



Segnala il rischio di lesioni personali, di morte o di danni all'apparecchio in caso di non osservanza delle istruzioni di questo manuale.



Indica il rischio di scossa elettrica.



Stacchi la spina immediatamente dalla linea principale in caso di danni al cavo durante la manutenzione.



Tenere gli spettatori a distanza.



Indossare protezioni per occhi e orecchie.



Protegga da pioggia.



Indossare guanti protettivi



Durante la saldatura usare sempre una maschera da saldatore.



Indossare abiti protettivi

**EN60974-6**

Normativa per saldatrici per saldatura manuale ad arco con carico limitato.



Pinza porta elettrodo



Terminale di massa



Caratteristica discendente



Trasformatore monofase



Circuito di alimentazione, numero di fasi (ad esempio 1 o 3), simbolo della corrente alternata e della frequenza nominale (ad esempio 50 Hz o 60 Hz)



Diametro elettrodo



Fusibile 16A

$I_{eff}$

Corrente di alimentazione massima effettiva

$I_2$

Intensità di corrente secondaria in Ampere



Tempo di saldatura massimo nominale in modalità intermittente



Tempo di saldatura massimo nominale in modalità continua

**IP21S** Classe di protezione. Schermato contro la penetrazione di oggetti di grandezza superiore a 12 mm e di acqua in caduta verticale. Arresto con controllo acqua.

**H**

Classe d'isolamento

**U<sup>0</sup>**

Tensione a vuoto in Volt

**U<sup>1</sup>**

Tensione di rete in Volt

**U<sup>2</sup>**

Valori relativi alla tensione di carico convenzionale

Classificazione EMC in conformità alla norma CEI 60974-10

### Norme di sicurezza generali per gli apparecchi di saldatura

- L'utente dell'apparecchio deve essere stato istruito sull'uso e l'azionamento dell'apparecchio.
- Assicurare un ambiente di lavoro ben illuminato ed ordinato.
- Disinserire sempre la spina dalla presa di corrente prima di eseguire lavori di manutenzione sull'apparecchio.
- Disinserire la spina dalla presa di corrente quando ci si allontana dall'apparecchio.
- Non usare l'apparecchio prima di avere completamente montato ed installato l'apparecchio secondo le istruzioni fornite nel manuale.

### Norme di sicurezza specifiche per l'apparecchio di saldatura

- Rischio di scossa elettrica: la scossa elettrica proveniente dall'elettrodo di saldatura può causare la morte. Non saldare in condizioni di pioggia o neve. Indossare guanti isolanti asciutti. Non toccare l'elettrodo con le mani

nude. Non indossare guanti bagnati o danneggiati. Proteggersi dalle scosse elettriche isolando il proprio corpo dal pezzo in lavorazione. Non aprire l'alloggiamento dell'apparecchiatura.

- Rischio provocato dai fumi di saldatura: respirare i fumi di saldatura è pericoloso per la salute. Mantenere la testa lontana dai fumi. Utilizzare l'apparecchio all'aperto. Utilizzare un ventilatore per eliminare i fumi.
- Rischi indotti dalle scintille di saldatura: le scintille di saldatura possono provocare esplosioni o incendi. Mantenere i materiali infiammabili lontano dall'area di saldatura. Non eseguire saldature in prossimità di materiali infiammabili. Le scintille di saldatura possono provocare incendi. Predisporre nelle vicinanze un estintore e una persona pronta per utilizzarlo. Non saldare su tamburi o su contenitori chiusi.
- Rischio indotto dall'arco: i raggi dell'arco possono provocare bruciori agli occhi e lesioni alla pelle. Indossare un cappello e occhiali protettivi. Utilizzare protezioni per le orecchie e un colletto chiuso. Utilizzare un casco per saldatura dotato di filtro con gradazione adeguata. Indossare una protezione integrale per il corpo.
- Rischio indotto dai campi elettromagnetici: la corrente di saldatura genera un campo elettromagnetico. Non utilizzare con dispositivi medici impiantati. Non avvolgere i cavi di saldatura intorno al proprio corpo. Disporre i cavi di saldatura insieme.
- La saldatura causa l'emanazione di scintille e metallo rovente. Ricordarsi che ciò costituisce un pericolo d'incendio e rimuovere gli oggetti infiammabili dall'ambiente di lavoro.
- Assicurare una buona ventilazione nell'ambiente di lavoro. Durante la saldatura vengono emessi dei gas che sono pericolosi per la salute.
- Non saldare contenitori o tubi che contengono o hanno contenuto liquidi o gas infiammabili (pericolo d'incendio o esplosione).
- Non saldare materiali che sono stati puliti con liquidi altamente infiammabili o che hanno superfici dipinte (probabile emanazione di gas pericolosi).
- Non lavorare in ambienti umidi o bagnati e non saldare in condizioni di pioggia.
- Proteggere sempre i propri occhi con la maschera per saldatore in dotazione.
- Usare guanti ed abiti di protezione asciutti e

non macchiati d'olio o sporco.

- Le scorie da staccare sono a volte incandescenti e possono causare gravi lesioni agli occhi durante la rimozione. Indossare sempre occhiali e guanti protettivi.
- La radiazione ultravioletta può bruciare la pelle durante la saldatura. Indossare quindi sempre indumenti protettivi adatti.
- La saldatrice è protetta contro i sovraccarichi. Essa dunque si spegne automaticamente in caso di sovraccarico. La saldatrice si riaccende automaticamente dopo essersi raffreddata a sufficienza.
- Durante la saldatura ed il raffreddamento il pezzo in lavorazione può deformarsi a causa di forze di tensione. Tenerne sempre conto.
- Utilizzare solo i cavi di saldatura inclusi nella fornitura (in gomma, Ø 10 mm<sup>2</sup>).
- Nelle zone a rischio di incendi ed esplosioni si applicano particolari normative.
- I giunti esposti a grandi sollecitazioni, e che devono rispondere a determinati requisiti di sicurezza, possono essere saldati solamente da saldatori appositamente specializzati ed autorizzati. Ad esempio: autoclave, guide di scorrimento, barre di rimorchio, ecc.
- Attenzione: Collegare sempre il terminale di messa a terra il più vicino possibile al giunto saldato, in modo che la corrente di saldatura possa prendere la via più breve dall'elettrodo al terminale di messa a terra. Non collegare mai il terminale di messa a terra alla scatola del saldatore. Non collegare mai il terminale a massa ad elementi a terra lontani dal pezzo, ad esempio un tubo dell'acqua posto in un altro angolo della stanza. In caso contrario potrebbe verificarsi il danneggiamento del sistema conduttore di terra della stanza dove avviene la saldatura.
- Le protezioni delle linee di alimentazione alle prese devono rispettare le normative (VDE 0100). Le prese con messa a terra devono essere protette con massimo 16A - protezioni ed interruttori automatici - (modelli e dati tecnici: RT14-20, Ø 10 x 38, AC 400 V 16A. IEC 60269. Azionare il ritardatore. Produttore: Chint). Protezioni di tipo superiore potrebbero causare l'incendio del cavo e dei danni da incendio all'edificio.

### Sicurezza elettrica



*Spegnere immediatamente l'apparecchio in caso di:*



*Difetto nella presa di corrente o nel cordone di alimentazione e se il cavo è danneggiato.*

- *L'interruttore è difettoso.*
- *Si vede del fumo o si sente odore di isolante bruciato.*



*Attenzione! A seconda delle condizioni del punto di connessione alla rete elettrica, l'alimentatore del saldatore può causare interferenze sull'alimentazione di altre utenze. In caso di dubbio su tale questione richiedere consiglio all'autorità relativa alla fornitura di energia elettrica.*

- Accertarsi che le connessioni dell'apparecchio di saldatura e di cablaggio elettrico siano effettuate in modo corretto. Qualsiasi possibilità di scossa elettrica rappresenta un pericolo di morte.
- Accertare sempre la bontà delle connessioni del porta elettrodo e del terminale di massa. ▸
- Non lasciare che i cavi elettrici vengano danneggiati a causa di trazioni. Scollegare i cavi prima di spostare la saldatrice.
- Evitare il contatto con la parte elettricamente conduttrice della saldatrice, del porta elettrodo e del terminale di terra.
- Controllare sempre che la tensione di rete disponibile corrisponda al valore indicato sulla targhetta di riconoscimento dell'apparecchio.
- In caso di sostituzione di cavi o spine: gettare via i vecchi cavi o spine non appena sostituiti con i nuovi. L'inserimento in una presa di corrente di un cordone elettrico staccato è pericoloso.
- Per tutte le saldatrici funzionanti a 230 Volt usare un fusibile di almeno 16 Ampere
- Quando si fa uso di prolunghe elettriche: usare sempre cavi di prolunga approvati adatti alla potenza dell'apparecchio. I conduttori devono avere un diametro di almeno 1,5 mm<sup>2</sup>. Srotolare completamente la prolunga se avvolta.
- I lavori relativi alla tensione di rete (su cavi, prese, spine ecc.) devono essere effettuati unicamente da personale elettrico specializzato.

### 3. Montaggio accessori



*Accertarsi d'aver rimosso la spina dalla presa di corrente per il montaggio degli accessori.*

### Installazione dell'apparecchio

- Installare la saldatrice in uno spazio asciutto e pulito (scevro di polvere metallica, di polvere e vernici)
- Posizionare la saldatrice su una superficie solida e piana e ad almeno 20 cm di distanza dalla parete.
- Proteggere la saldatrice dalla pioggia e dalla luce solare diretta.

### Maschera per saldature

#### Fig. 2

- Far scivolare la maniglia sulla maschera per saldature finché non si aggancia.
- Posizionare il vetro trasparente (vetro protettivo) davanti al vetro oscurato per saldature. Inserire i due vetri nell'apertura anteriore.
- Accertarsi che i vetri siano posizionati in modo tale che nell'apertura non possa penetrare luce (dannosa).
- Sostituire il vetro protettivo trasparente quando la visione del pezzo trattato diventa insufficiente durante la saldatura. La sostituzione del vetro oscurato di saldatura è considerevolmente più costosa di quella del vetro trasparente di protezione.

### Montaggio di nuovi elettrodi

L'elettrodo consiste di un nucleo metallico racchiuso in un rivestimento. Ad un'estremità dell'elettrodo il nucleo non è ricoperto dal rivestimento.

- Agire sul manico del porta elettrodo stringendo la molla.
- Mettere un elettrodo con l'estremità non rivestita ( $\pm 2$  cm) nel porta elettrodo. Accertarsi che la parte non rivestita effettui un buon contatto con la parte metallica del porta elettrodo (che l'elettrodo non sia inserito troppo a fondo nel porta elettrodo).
- Rilasciare il manico della pinza. L'elettrodo è ora montato.



*N.B! Non lasciare che l'elettrodo bruci fino ad accorciarsi oltre i 5 cm circa, per prevenire il surriscaldamento e/o la deformazione del porta elettrodo. In caso contrario l'elettrodo bruciato sarebbe di difficile rimozione.*

### Rimozione degli elettrodi usati

Agire sul manico del porta elettrodo stringendo la

molla in modo che l'elettrodo bruciato possa cadere dal porta elettrodo.



*N.B! Non rimuovere l'elettrodo dal porta elettrodo con la mano. L'elettrodo è arroventato!*



*N.B! Prestare attenzione al punto in cui l'elettrodo usato cade in modo da prevenire rischi d'incendio o possibili lesioni.*

## 4. Funzionamento

### Prima dell'uso:

- Informazioni generali sulla saldatura ad arco elettrico
- L'elettrodo
- Abiti protettivi
- Protezione facciale
- Ambiente di lavoro

### a. Informazioni generali sulla saldatura ad arco elettrico

La temperatura dell'arco elettrico raggiunge approssimativamente 7.000° Celsius, in modo da fondere l'estremità dell'elettrodo e del pezzo in lavorazione. Finché l'arco viene mantenuto, l'elettrodo si fonde fornendo il materiale di saldatura necessario alle parti da saldare. La distanza tra l'elettrodo e il pezzo in lavorazione deve essere la più corta possibile (circa 1,5-4mm) a seconda del diametro e del tipo d'elettrodo. La corrente necessaria per la saldatura viene fornita dalla saldatrice. La potenza necessaria alla saldatrice dipende dal lavoro da effettuare. Accertarsi che gli elettrodi siano completamente asciutti, dato che gli elettrodi umidi causano problemi. Se l'elettrodo si attacca al pezzo in lavorazione durante la saldatura l'intensità di corrente usata è troppo bassa.

### b. L'elettrodo

- L'elettrodo consiste di un nucleo metallico racchiuso in un rivestimento. Il rivestimento ha l'importantissima funzione di proteggere dall'ossigeno e dall'azoto dell'aria circostante il bagno di fusione e le gocce di apporto. L'elettrodo si fonde durante la saldatura. Una parte del rivestimento evapora creando uno schermo gassoso protettivo. Una parte del rivestimento galleggia sul bagno di fusione (essendo più leggero del metallo) proteggendo anche la saldatura in raffreddamento. Dopo il raffreddamento

questo rivestimento diventa una scoria solida ma facilmente rimovibile sulla giuntura saldata.

- Manipolare gli elettrodi prestando attenzione a non rompere il rivestimento. Accertarsi che gli elettrodi siano totalmente asciutti, e conservarli in luoghi privi d'umidità.
- È estremamente importante utilizzare l'elettrodo giusto ai fini della bontà e della robustezza della giunzione saldata. Gli elettrodi universali saranno in molti casi adatti al lavoro da eseguire.

Le confezioni degli elettrodi fanno menzione delle posizioni in cui è possibile effettuare le saldature con gli elettrodi in esse contenuti (sopra la testa, verso il basso, ecc. tenendo conto della velocità di fusione dell'elettrodo). Sono disponibili in commercio degli elettrodi specifici per le saldature dei diversi tipi di acciaio inossidabile e di ghisa. Consultare il proprio fornitore circa l'acquisto dell'elettrodo giusto.

### c. Abiti protettivi

Indossare abiti a copertura totale in modo che la probabilità di riportare bruciate della pelle a causa della radiazione ultravioletta o di schizzi di metallo sia ridotta al minimo. Indossare preferibilmente tute integrali in cotone, guanti da saldatore e scarpe di sicurezza. Accertarsi sempre che gli sversamenti di fusione non possano introdursi nei guanti o nelle scarpe.

Un grembiale (di pelle) da saldatore ferma le bruciate e il danneggiamento delle coperture da parte delle scintille.

### d. Protezione facciale

#### Fig. 2

Utilizzare un buon vetro (oscurato) per saldature e con vetro protettivo. Accertarsi che entrambi i vetri siano montati in modo corretto (ben fissati e posizionati in modo da non lasciar passare la luce del sole).

La maschera per saldature protegge l'utilizzatore dalle radiazioni, il calore e gli schizzi di fusione emessi durante il processo di saldatura. Essa inoltre riduce l'inalazione dei fumi di saldatura. I raggi ultravioletti invisibili sono causa del cosiddetto "colpo d'arco", un'oftalmia da raggi che si sviluppa entro pochi secondi dopo avere guardato un arco elettrico.

Evitare gli effetti di questa radiazione e delle alte temperature sul viso e le altre parti esposte del corpo, come il collo e le braccia.

È fondamentale proteggersi dagli effetti pericolosi dell'arco elettrico: gli addetti ai lavori devono tenersi ad una distanza minima di 15m.

Aiutanti o persone che si trovano nei pressi dell'arco elettrico devono essere informati dei pericoli e dotati delle protezioni necessarie. Ove richiesto, erigere pareti di protezione.

#### e. Ambiente di lavoro

- Accertarsi che l'ambiente di lavoro sia ben ventilato. Durante la saldatura vengono emessi dei gas che sono pericolosi per la salute.
- Rimuovere tutti gli oggetti infiammabili dall'ambiente di lavoro. La saldatura causa l'emissione di scintille e metallo rovente.
- Accertarsi che nelle vicinanze del luogo di lavoro sia presente dell'acqua di raffreddamento. Non lasciare senza sorveglianza i pezzi in lavorazione (caldi) appena saldati nel luogo di lavoro. Raffreddare il pezzo lavorato prima di lasciare il luogo di lavoro.

#### Protezione da raggi e incendi

- Sul luogo di lavoro, apporre il cartello "Attenzione! Non guardare direttamente la fiamma!" per richiamare l'attenzione sul pericolo per gli occhi. I luoghi di lavoro devono essere protetti il più possibile, onde garantire la tutela delle persone che si trovano nelle immediate vicinanze. Gli estranei devono tenersi lontani dai lavori di saldatura.
- Nelle immediate vicinanze delle postazioni di lavoro permanenti, le pareti non devono essere di colore chiaro o lucenti. Le finestre devono essere protette fino all'altezza del capo dal passaggio o dal riflesso dei raggi, ad esempio mediante una vernice adeguata.

#### Messa in opera

##### Fig. 3

Suggerimento: prima di cominciare a saldare elementi difficili è bene eseguire delle prove su pezzi di prova.

- Accertare la pulizia del pezzo in lavorazione: rimuovere qualsiasi residuo di ruggine, grasso o vernice.
- Impostare l'intensità di corrente necessaria mediante la manopola sulla parte anteriore della saldatrice.  
La scelta dell'intensità di corrente dipende dal pezzo da lavorare e dal tipo di elettrodo usato.

- Posizionare la parte di elettrodo priva di rivestimento nel porta elettrodo e collegare il terminale di terra al pezzo in lavorazione.
- Accendere la saldatrice con l'interruttore generale.
- Mantenere la maschera per saldature davanti al viso e muovere la punta dell'elettrodo sul pezzo in lavorazione come se si stesse accendendo un fiammifero. Questa è la maniera migliore di instaurare un arco elettrico. Non battere l'elettrodo sul pezzo in lavorazione. Ciò danneggerebbe l'elettrodo e impedirebbe la creazione dell'arco elettrico.
- Dopo avere instaurato l'arco elettrico cercare di mantenere da subito una distanza regolare tra l'estremità dell'elettrodo e il pezzo in lavorazione. Mantenere la distanza uguale al diametro dell'elettrodo. Mantenere la distanza il più possibile costante durante la saldatura.
- Muovere l'elettrodo con un movimento di trazione graduale sul pezzo in lavorazione.
- Mantenere l'elettrodo inclinato nella direzione del movimento con un angolo di 60° - 70° gradi tra l'elettrodo e il pezzo in lavorazione.
- Quando la giuntura saldata è stata eseguita, interrompere l'arco elettrico allontanando l'elettrodo dal pezzo in lavorazione.
- Spegnere la saldatrice.



*N.B. Se si lascia la saldatrice accesa è molto probabile che l'elettrodo faccia contatto (mediante il banco di lavoro) con il cavo di massa e cominci a saldare spontaneamente.*

- Rimuovere le scorie dalla giuntura saldata con una martellina.



*Prestare attenzione alle particelle di metallo rovente. Indossare sempre occhiali protettivi.*

- Non saldare mai su residui di scorie: le scorie formano uno strato isolato e contaminato, cosa che determinerebbe una saldatura indebolita (detta inclusione di scoria).
- Spazzolare la saldatura con una spazzola metallica fino a ripulirla.



*N.B. Il pezzo in lavorazione si trova ancora a temperatura molto elevata. Non lasciare il pezzo lavorato privo di sorveglianza.*

## Spia temperatura

### Fig. 1

Quando la temperatura della saldatrice diventa troppo alta il termostato incorporato spegnerà l'apparecchio (la spia si accende). Il ventilatore incorporato raffredda l'apparecchio. Dopo il raffreddamento la lampada si spegne. È bene attendere un tempo sufficiente per il completo raffreddamento dell'apparecchio; in caso di saldatura intensiva sussiste un'elevata probabilità di spegnimento da parte del termostato entro pochi minuti.

## 5. Servizio & manutenzione



*Assicurarsi che la macchina non sia in funzione mentre si effettuano operazioni di manutenzione sul motore.*

Le macchine sono state progettate per funzionare per lunghi periodi di tempo, pur richiedendo interventi di manutenzione minimi. Un funzionamento continuo soddisfacente dipende dall'adeguata conservazione della macchina e da una pulizia regolare.

### Guasti

Qualora la macchina non funzionasse correttamente, consultare l'elenco sottostante con tutte le possibili cause e rimedi:

#### La saldatrice non funziona

- Cattivo contatto del terminale di terra col pezzo in lavorazione
- Elettrodo non correttamente saldato nel porta elettrodo
- Esclusione termica attivata
- Fusibile bruciato (nel contattore), o la protezione termica era bruciata.
- Cavo interrotto
- Interruttore difettoso/contattare il proprio fornitore.

#### L'elettrodo continua ad 'attaccarsi' al pezzo in lavorazione.

- Usare il giusto tipo di elettrodo (universale).
- Intensità di corrente troppo bassa/girare la manopola 3 in senso orario.

#### L'elettrodo è di colore rosso-arancio.

- Intensità di corrente troppo elevata per questo tipo di elettrodo/girare la manopola 3 in senso antiorario.

#### L'elettrodo schizza eccessivamente e fa molto rumore durante la saldatura

- Intensità di corrente troppo elevata/girare la manopola 3 in senso antiorario.

#### L'apparecchio è troppo caldo, la spia è accesa

- Le fessure di ventilazione sono ostruite/pulirle con un panno asciutto; attendere qualche minuto che la spia si spenga.



*Le riparazioni e la manutenzione devono essere eseguite solo da personale qualificato o da un centro di assistenza.*

### Pulizia

- Assicurarsi che le fessure di ventilazione siano libere dalla polvere e dallo sporco. Usare un panno morbido inumidito con acqua e sapone per rimuovere lo sporco più ostinato. Non usare solventi come petrolio, alcool o ammoniaca, ecc.
- Accertarsi che il porta elettrodo e il terminale di massa restino privi di corrosione in modo da poter assicurare un buon contatto elettrico.
- Controllare regolarmente che i cavi di saldatura e del pezzo in lavorazione siano fermamente collegati alle loro connessioni.

### Lubrificazione

La macchina non richiede lubrificazioni aggiuntive.

### Riparazioni e commercianti

Se si presentano problemi a causa di, per esempio, usura di una parte della sega, si prega di contattare il servizio di assistenza all'indirizzo riportato sulla scheda di garanzia.

### Ambiente

Per evitare che si danneggi durante il trasporto, la macchina è imballata in un contenitore resistente. La maggior parte dei componenti dell'imballaggio sono riciclabili. Portare tali materiali presso gli appositi centri di riciclaggio.



*Strumenti elettrici e/o elettronici difettosi o usurati devono essere smaltiti in appropriate aree di riciclaggio.*

### Garanzia

Le condizioni di garanzia sono espone nell'apposita scheda allegata a parte.

## SVETSUTRUSTNING

**Siffrorna i texten nedan hänvisar till bilderna på sidorna 2 + 109**



För din egen och andras säkerhet ska du läsa dessa instruktioner noga innan sågen används. Förvara bruksanvisningen och den medföljande dokumentationen tillsammans med sågen för framtida bruk.

### Introduktion

Smältsvetsning används för att smälta arbetsstycket med tillförd värme. Vid elektrisk bågsvetsning används också svetsmaterial (elektroder). Svetssträngen uppstår efter stelling. Värmen som krävs fås genom att upprätthålla en elektrisk båge mellan elektroden och arbetsstycket. Svetsprocessen kräver hög strömstyrka (40-100 A) med relativt låg spänning (10-48 V). En transformator i svetsutrustningen ser till att sänka nätspänningen (230 V).

**Apparaten är inte avsedd för industriellt bruk!**

### Innehåll

1. Maskindata
2. Säkerhetsföreskrifter
3. Montera tillbehör
4. Använda maskinen
5. Service & underhåll

## 1. Maskindata

### Tekniska data

Spänning	230 V ~
Frekvens	50 Hz
Svetsström	40-100 A
Tändspänning	≤ 48 V
Tjocklek elektrod	1,6 - 2,5 mm
Vikt	13,2 kg
Mått	290x195x170 mm
Termiskt skydd	100°C ± 5°C
Stromkabeln	H07RN-F, 3G x 1,5 mm <sup>2</sup>
Svetskabeln	H01N2-D1 x 10 mm <sup>2</sup>

### Förpackningen innehåller

- 1 Svetsaggregat
- 1 Svetsskärm
- 1 Stålbörste/slagghacka
- 1 Bruksanvisning
- 1 Säkerhetsföreskrifter
- 1 Garantikort

Kontrollera att maskinen, de lösa delarna och tillbehören, inte har skadats under transporten.

### Produktinformation

#### Fig. 1

1. Temperaturindikator
2. På/Av-knapp
3. Ratt för ströminställning
4. Svetskabel med elektrodhållare
5. Jordkabel med återledarklämma
6. Gummifot
7. Handtag
8. Ventilationsöppningar
9. Stålbörste/slagghacka
10. Svetssskärm
11. Elektroder

### Tabell: inställning och användning

Ø Elektrod (mm)	Strömstyrka (A)	Lämpligt för, bland annat:
1.6	45-55	Materialtjocklek ≤ 2 mm Reparation av moped/cykel
2	50-75	Materialtjocklek 2-3 mm Reparation av väggstativ
2.5	70-100	Materialtjocklek 4-5 mm Trädgårdsstaket, utomhusleksaker
3.2	95-150	Materialtjocklek 6-7 mm Carport, garage
4	130-220	Materialtjocklek 8-12 mm Konstruktion (kraftig)
5	190-250	Materialtjocklek ≥ 12 mm Konstruktion (mycket kraftig)

## 2. Säkerhetsföreskrifter

### Symbolernas betydelse



Varning! Läs instruktionsboken



Anger att det föreligger risk för personskador, livsfara eller risk för skador på maskinen om instruktionerna i denna bruksanvisning inte efterlevs.



Anger risk för elektrisk stöt.



Ta omedelbart ut stickkontakten ur eluttaget om sladden har skadats samt när maskinen underhålls.



Förbipasserande får inte komma för nära.



Skydda emot regn.



Bär skyddsglasögon och hörselskydd.



Använd skyddshandskar.



Använd alltid svetskärm under svetsning



Använd skyddskläder

**EN60974-6** Standard för svetsutrustningar för manuell metallbågs svetsning med begränsad användning.



Elektrodhållare



Återledarklämma



Sjunkande spänning



Enfas transformator



Matningskrets, antal faser (till exempel 1 eller 3), symbol för växelström och nominell frekvens (till exempel 50 Hz eller 60 Hz)



Elektroddiameter



Säkring 16A



maximal effektiv matningsström



Sekundär strömstyrka i ampere



Nominell maximal svetsetid i intervalläge



Nominell maximal svetsetid i kontinuerligt läge

**IP21S** Skyddsklass. Kapslad för objekt upp till 12 mm och mot vertikalt fallande vattendropp. Funktionsstopp med

vattenkontroll.

**H** Isolationsklass

**U<sup>0</sup>** Tomgångsspänning i volt

**U<sup>1</sup>** Nätspänning i volt

**U<sup>2</sup>** Värdet för normal belastningsspänning

EMC-klassificering enligt IEC 60974-10

### Allmänna säkerhetsföreskrifter för svetsutrustningar

- Risk för elektriska stötar: elektrisk stöt från svets elektroden kan vara dödlig. Svetsa inte i regn eller snö. Använd torra isolerande handskar. Rör inte vid elektroden med bara händerna. Använd inte våta eller skadade handskar. Skydda dig från elektriska stötar genom att isolera dig själv från arbetsstycket. Öppna inte utrustningens inkapsling.
- Risk som uppstår av svetsångorna: inandning av svetsångor kan vara farligt för din hälsa. Håll huvudet borta från ångorna. Använd utrustningen på en öppen plats. Använd ventileringsfläkt för att få bort ångor.
- Risk som uppstår av svetsloppor: svetsloppor kan orsaka explosion eller brand. Håll brännbara material borta från svetsområdet. Svetsa inte nära brännbara material. Svetsloppor kan orsaka brand. Ha en brandsläckare i närheten och låt en person vakta som är beredd att använda den. Svetsa inte på fat eller slutna behållare.
- Risk som uppstår av svetsbågen: strålning från bågen kan bränna ögonen och skada huden. Använd skyddsmössa och -glasögon. Använd hörselskydd och skjorta med knäppt krage. Använd svets hjälm med rätt skuggning av filtret. Använd hela skyddskläder.
- Risk som uppstår av elektromagnetiska fält: svetsström skapar elektromagnetiska fält. Använd inte om du har medicinska implantat. Linda aldrig svetskablar runt din kropp. Dra svetskablarna tillsammans.
- Den som ska använda maskinen måste ha lärt sig hur man använder och hanterar maskinen.
- Se till att arbetsplatsen är välbelyst och ordnad.
- Dra alltid ut stickkontakten ur nätuttaget innan underhåll utförs på maskinen.
- Dra ut stickkontakten ur nätuttaget när du

lämnar maskinen.

- Använd inte maskinen innan du har monterat och installerat den som beskrivet i bruksanvisningen.  
Specifika säkerhetsföreskrifter för svetsutrustningar
- Svetsning orsakar gnistor och het metall. Kom ihåg att detta är en brandrisk, avlägsna alla lättantändliga föremål från arbetsområdet.
- Se till att arbetsplatsen är ordentligt ventilerad. Gaser som uppstår under svetsning är hälsofarliga.
- Svetsa inte behållare eller rör som innehåller brandfarliga vätskor eller gaser (risk för brand eller explosion).
- Svetsa inte material som har rengjorts med lättantändlig vätska eller material med målad yta (risk för att farliga gaser frigörs).
- Arbeta inte i en fuktig eller blöt omgivning och svetsa inte i regn.
- Skydda alltid dina ögon med den medföljande svetsaskärmen.
- Använd handskar och skyddskläder som är torra och inte nedsmutsade av olja eller smuts.
- Slaggen som ska avlägsnas är ibland glödhet och kan orsaka allvarliga ögonskador under borttagningen. Använd alltid skyddsglasögon och handskar.
- Ultraviolett strålning kan bränna huden när du svetsar. Använd därför alltid lämpliga skyddskläder.
- Din svetsutrustning är skyddad mot överbelastning. Utrustningen stängs därför av automatiskt om den överbelastas. Den startar igen automatiskt när den har kylts av tillräckligt.
- Under svetsning och avkylning kan arbetsstycket deformeras på grund av spänningar. Tänk alltid på detta.
- Den får endast användas med den medföljande svetsledningen (Ø 10 mm<sup>2</sup> gummissvetsledning)
- I utrymmen där det finns risk för brand eller explosion gäller särskilda föreskrifter.
- Svetsfogar som utsätts för stora påfrestningar och måste följa särskilda säkerhetsföreskrifter får endast utföras av särskilt utbildade svetsare. Exempel: tryckluftskammare, hjulbanor, släpvagnskopplingar mm.
- Varning! Stäng jordledningen så nära svetsstället som möjligt så att svetsströmmen kan ta den kortast möjliga vägen från elektroden till jordledningen. Anslut aldrig jordledningen till svetsapparatens hus! Stäng

aldrig jordledningen vid jordade delar som ligger långt från arbetsstycket som t.ex. ett vattenrör i andra änden av rummet. Annars kan det bli så att skyddsledarsystemet i rummet där du svetsar kan skadas.

- Säkringarna för matarledningen till vägguttaget måste följa gällande föreskrifter (VDE 0100). Det isolerade jorduttaget får max lösas ut med 16A (typ och tekniska data: RT14-20, Ø 10 x 38, AC 400 V 16A. IEC 60269. Spänningsutlösning. Tillverkare: Chint) (säkringar eller säkringskydd). Större ampere på säkringen kan leda till brand i ledningarna dvs. brandskador i strukturen.

### Elektrisk säkerhet



*Stäng omedelbart av maskinen: Det är fel på nätuttaget, strömkabeln, eller om kabeln är skadad.*

- Strömbrytaren är trasig.
- Det ryker eller luktar bränd isolering.



*Varning! Beroende på elnätets förhållande vid anslutningspunkten, kan svetsströmkällan orsaka störningar i strömförsörjningen till andra elanvändare. Vid tveksamheter angående detta bör du fråga vederbörande elleverantör eller myndighet.*

- Se till att anslutningen av svetsutrustningen och elkablar är rätt utförd. Risk för elstöt kan innebära livsfara.
- Säkerställ god anslutning av både elektrodhållaren och återledarklämman.
- Dra inte i elkablarna, de kan skadas. Koppla ur kablarna innan du flyttar svetsaggregatet.
- Undvik kontakt med den elektriskt ledande delen på svetsutrustningen, elektrodhållaren och återledarklämman.
- Kontrollera alltid att spänning i nätuttaget motsvarar värdet som anges på maskinens märkplåt.
- Vid byte av kablar eller kontakter: Kasta omedelbart bort gamla kablar eller kontakter så fort de har bytts ut. Det är farligt att stoppa in en lös stickkontakt i nätuttaget.
- Använd en säkring på minst 16 ampere för svetsutrustning som jobbar med 230 V.
- Om förlängningskabel används: Använd endast en godkänd förlängningskabel som passar maskinens effekt. Ledarna måste ha en diameter på minst 1,5 mm<sup>2</sup>. Rulla ut kabeln

helt om den är upprullad på en kabelvinda.

- Arbete vid nätspänningssidan, som exempelvis kablar, kontakter, eluttag osv. får endast utföras av fackmän.

### 3. Montera tillbehör



Kontrollera att stickkontakten är utdragen ur nätuttaget under montering av tillbehör.

#### Installation av maskinen

- Installera svetsutrustningen på en torr och ren plats (fri från järnpulver, damm och färg).
- Placera utrustningen på ett stadigt och slätt underlag och minst 20 cm från väggen.
- Skydda svetsutrustningen mot regn och starkt solljus.

#### Svetsskärmen

##### Fig. 2

- Skjut in handtaget på svetsskärmen tills det låser.
- Placera det ljusa glaset (skyddsglas) framför det mörka svetsglaset. För in båda glasen i öppningen.
- Se till att glasen är placerade så att inget (skadligt) ljus kan tränga in genom öppningen.
- Byt ut det ljusa skyddsglasat när sikten inte är tillräckligt bra under svetsningen. Det är betydligt dyrare att byta ut det mörka skyddsglasat än det ljusa skyddsglasat.

#### Sätta in nya elektroder

Elektroden består av en metallkärna som är täckt av en beläggning. Kärnan i ena änden av elektroden är inte täckt med denna beläggning.

- Tryck handtaget på elektrodhållaren mot fjädern.
- Stoppa in den obelagda änden ( $\pm 2$  cm) på elektroden i elektrodhållaren. Kontrollera att den obelagda delen har god kontakt med metalldelen i elektrodhållaren (elektroden inte för långt inskjuten i elektrodhållaren).
- Släpp upp handtaget på hållaren. Elektroden är nu fixerad.



Obs! Bränn inte ned elektroden till mindre än  $\pm 5$  cm på grund av överhettning och/eller deformering av elektrodhållaren. Det kan annars vara svårt att ta loss elektroden.

#### Ta loss använda elektroder

Tryck handtaget på elektrodhållaren mot fjädern så att den nedbrända elektroden lossnar från hållaren.



Obs! Avlägsna inte elektroden från hållaren med handen. Elektroden är mycket varm!



Obs! Titta var de förbrukade elektroderna faller ned för att förhindra en brandfara och möjlig personskada.

### 4. Använda maskinen

#### Före användning:

- Allmän information om elektrisk bågsvetsning
- Elektroden
- Skyddskläder
- Ansiktsskydd
- Arbetsmiljö

#### a. Allmän information om elektrisk bågsvetsning

Temperaturen i bågen uppgår till ungefär 7 000° Celsius, så att elektrodens ände och arbetsstycket smälter samman. Elektroden smälter så länge som bågen upprätthålls och avger nödvändig svetsmaterial till de delar som ska förenas. Avståndet mellan elektroden och arbetsstycket ska vara så kort som möjligt (ungefär 1,5-4 mm), beroende på elektrodens diameter och typ. Nödvändig ström för svetsning tillhandahålls av svetsutrustningen. Utrustningens effektbehov beror på vilken typ av arbete som ska utföras. Se till att elektroderna är riktigt torra eftersom fuktiga elektroder kan orsaka problem. Strömstyrkan är för låg om elektroden fastnar i arbetsstycket under svetsning.

#### b. Elektroden

- Elektroden består av en metallkärna som är täckt av en beläggning. Beläggningens viktigaste funktion är att skydda smältbadet och de överförande dropparna mot syre och kväve i den omgivande luften. Elektroden smälter under svetsningen. En del av beläggningen förångas så att en skyddande gas uppstår. Del av beläggningen flyter på toppen av smältbadet (den är lättare än stål) och skyddar också svetsgöset under stelningen. Efter stelning blir beläggningen en solid men lättavlägsnad slagg på svetssträngen.



- Hantera elektroderna varsamt så att beläggningen inte går sönder. Se till att elektroderna är helt torra, förvara dem på en fuktfri plats.
- Det är mycket viktigt att använda rätt elektrod för att göra en bra och stark svetsfog. En universalelektrod är i de flesta fallen lämplig för ditt arbete. Elektrodens förpackning nämner i vilka positioner svetsning kan utföras med elektroden i fråga (ovanför huvudet, nedåt, etc. med hänsyn till hur fort elektroden smälter). Separata elektroder finns tillgängliga för svetsning av olika typer av rostfritt stål och gjutjärn. Kontakta din återförsäljare för köp av rätt elektrod.

### c. Skyddskläder

Använd ordentligt täckande kläder så minimeras risken för att huden ska brännas av ultraviolett strålning eller metallstänk. Använd helst overall av bomull, svetshandskar och skyddsskor. Se till så att svetsstänk inte kommer in i handskar eller skor. Ett svetsförkläde (av läder) förhindrar att stänk och gnistor skadar overallen.

### d. Ansiktsskydd

#### Fig. 2

Använd en bra svetskärm med (mörkt) svetsglas och skyddsglas. Kontrollera att båggen glaset är riktigt monterade (väl fastsatta och släpper inte igenom solljus).

Svetskärmen skyddar svetsaren mot strålning, värme och svetsstänk som uppstår under svetsning. Den reducerar också inandningen av svetsrök.

De osynliga ultraviolette strålarna orsakar så kallad svetsblänk. Detta uppstår redan efter ett par sekunder av att titta på den elektriska bågen.

Undvik effekterna av denna strålning och höga temperaturer i ansiktet och andra utsatta kroppsdelar såsom halsen och armar.

Skydda dig mot ljusbågens farliga effekt och se till att personer som inte ägnar sig åt arbetet håller sig på ett säkerhetsavstånd på minst 15 m från ljusbågen.

Även personer som befinner sig i närheten av ljusbågen eller som assisterar måste göras uppmärksamma på faran och utrustas med nödvändig skyddsutrustning. Sätt upp skyddsväggar vid behov.

### e. Arbetsmiljö

- Sörj för en arbetsmiljö med bra ventilation.

Gaser som uppstår under svetsning är hälsofarliga.

- Avlägsna alla lättantändliga föremål från arbetsområdet. Svetsning orsakar gnistor och het metall.
- Se till att det finns kylvatten i närheten av arbetsområdet. Lämna inte arbetsplatsen utan tillsyn om det finns (heta) arbetsstycken som precis har svetsats. Kyl av arbetsstycket innan du lämnar arbetsplatsen.

### Skydd mot strålning och brännskador

- Vid arbetsplatsen används skyltar med "Försiktighet! Se inte in i ljusbågen!" för att uppmärksamma på faran för ögonen. Arbetsplatsen måste i bästa mån avskämmas så att personer som befinner sig i närheten inte utsätts för fara. Obehöriga personer ska hålla sig utom räckhåll vid svetsarbeten.
- Vid fasta arbetsställen ska väggar inte vara målade i ljus färg eller vara glansiga. Fönster måste säkras mot att strålning tränger igenom eller studsar tillbaka, åtminstone i huvudhöjd, t.ex. genom särskild färg.

### Börja använda

#### Fig. 3

Tips: Det är bättre att provsvetsa på en metallbit innan du börjar svetsa svåra arbetsstycken.

- Se till att arbetsstycket är rent: ta bort all rost, fett och rester av målarfärg.
- Ställ in nödvändig strömstyrka med ratten på framsidan av svetsutrustningen. Valet av strömstyrka beror på arbetsstycket och vilken typ av elektrod som används.
- Stoppa in den del av elektroden som inte har någon beläggning i elektrodhållaren och sätt fast återlederarklämman i arbetsstycket.
- Slå på utrustningen med huvudströmbrytaren.
- Håll svetskärmen framför ditt ansikte och för elektrodens spets över arbetsstycket precis som om du skulle tända en tändsticka. Detta är det bästa sättet att tända svetsbågen. Slå inte elektroden mot arbetsstycket. Det kan skada elektroden och förhindrar att svetsbågen skapas.
- Försök att hålla samma avstånd mellan elektrodens spets och arbetsstycket när svetsbågen har skapats. Avståndet ska vara samma som elektrodens diameter. Under svetsningen ska detta avstånd hållas så konstant som möjligt.
- Rör elektroden över arbetsstycket i en jämn

dragrörelse.

- Vinkel mellan elektroden och arbetsstycket ska vara mellan 60° och 70° i rörelseriktningen.
- Bryt svetsbågen när svetssträngen är gjord genom att avlägsna elektroden från arbetsstycket.
- Slå av svetsutrustningen.



*Obs! Om du lämnar utrustningen påslagen är sannolikheten stor att elektroden får kontakt med jordkabeln (via arbetsbänken), och börjar svetsa av sig själv.*

- Knacka bort slagg från svetssträngen med en slagghacka.



*Se upp för flygande heta metallbitar. Använd alltid skyddsglasögon.*

- Svetsa aldrig på slaggrester: slaggen bildar ett isolerade och förorenat lager, och medför att svetsfogen försvagas (så kallad slagginneslutning).
- Borsta rent svetssträngen med en stålborste.



*Obs! Arbetsstycket har fortfarande en mycket hög temperatur. Lämna inte det varma arbetsstycket utan tillsyn.*

## Temperaturindikator

### Fig. 1

Den inbyggda termostaten slår av när temperaturen i svetsutrustningen är för hög (indikatorlampan tänds). Maskinen kyls ned av den inbyggda fläkten. Efter avkylning släcks lampan igen.

Ge helst maskinen tillräckligt med tid att kyla ned; under intensiv svetsning är sannolikheten stor att överhettningsskyddet löser ut igen efter några minuter.

## 5. Service & underhåll



*Tillse att maskinen inte är spänningsförande när underhållsarbeten utförs på de mekaniska delarna.*

Maskiner har konstruerats för att under lång tid fungera problemfritt med ett minimalt underhåll. Genom att regelbundet rengöra maskinen och hantera den på rätt sätt bidrar du till en lång livslängd för din maskin.

## Brister

Om maskinen inte skulle fungera kan nedanstående möjliga orsaker och lämpliga lösningar vara till hjälp:

### Svetsutrustningen fungerar inte

- Återledarklämman har inte bra kontakt med arbetsstycket
- Elektroden sitter inte fast rätt i hållaren
- Överhettningsskyddet har löst ut
- Säkringen är defekt (i mätarhuset), eller värmeskyddet brändes.
- Kabeln är trasig
- Strömbrytaren är defekt/kontakta din återförsäljare

### Elektroden fortsätter att "fastna" i arbetsstycket

- Använd rätt typ av elektrod (universal).
- För låg strömstyrka/vrid ratt 3 medurs

### Elektroden är orange-röd

- För hög strömstyrka för denna typ av elektrod/vrid ratt 3 moturs

### Elektroden stänker överdrivet och låter mycket under svetsning.

- För hög strömstyrka/vrid ratt 3 moturs

### Maskinen är för varm; indikatorlampan lyser

- Ventilationsöppningarna är blockerade/rengör dem med en ren trasa; vänta några minuter tills lampan slocknar igen



*lakta alltid säkerhetsinstruktionerna och respektera gällande föreskrifter.*

### Rengöring

- Se till att ventilationsöppningarna är fri från damm och smuts. Använd en mjuk trasa fuktad med tvålvatten om du behöver ta bort envisa fläckar. Använd inte lösningsmedel såsom bensin, alkohol, ammoniak etc.
- Se till att hålla elektrodhållaren och återledarklämman fri från rost så att de kan fortsätta ge bra elektrisk kontakt.
- Kontrollera regelbundet att svetskabeln och återledarkabeln är ordentligt anslutna i sina kontakter.

### Smörjning

Maskinen behöver ingen extra smörjning.

## Fel

Kontakta servicestället som anges på garantibeviset om ett fel uppstår, t.ex. på grund av en del som är nedsliten. I slutet av den här bruksanvisningen finns en sprängskiss över de delar som kan beställas.

## Driftstörningar

För att undvika transportskador levereras maskinen i en så stadig förpackning som möjligt. Förpackningen har så långt det är möjligt tillverkat av återvinningsbart material. Ta därför tillvara möjligheten att återvinna förpackningen.



*Skadade och/eller kasserade elektriska och elektroniska apparater ska lämnas in enligt gällande miljöregler.*

## Garanti

Garantivillkoren framgår av det separat bifogade garantikortet.

## HITSAUSLAITE

**Tekstin numerot viittaaavat kaavioihin sivuilla 2 + 109**



*Lue nämä käyttöohjeet huolellisesti ennen tämän laitteen käyttämistä oman turvallisuutesi ja muiden henkilöiden turvallisuuden vuoksi. Säilytä tämä ohjekirja ja koneen mukana toimitetut asiakirjat tulevaa käyttöä varten.*

## Johdanto

Sulahihtausmenetelmässä työkalupaleen materiaalia sulatetaan tuodun lämmön avulla. Kaarihihtauskassa hyödynnetään myös hitsimateriaalia (elektrodeja). Hihti syntyy kiinteytymisen myötä.

Tarvittava lämpö saadaan aikaan sähkökaarella elektroodin ja työkalupaleen väliillä. Hihtauskassa tarvitaan suurta virtaa (40-100 A) käyttäen suhteellisen matalaa jännitettä (10-48 V). Hihtauslaitteen muuntaja alentaa verkkojännitteen (230 V).

Laitte ei sovellu ammattikäyttöön!

## Sisältö

1. Laitteen tiedot
2. Turvaohjeet
3. Lisävarusteiden kiinnitys
4. Käyttö
5. Huolto ja kunnossapito

## 1. Laitteen tiedot

### Tekniset tiedot

Jännite	230 V ~
Taajuus	50 Hz
Hihtausvirta	40-100 A
Syöttöjännite	≤ 48 V
Puikon paksuus	1,6 - 2,5 mm
Paino	13,2 kg
Mitat	290x195x170 mm
Lämpösuojaus	100°C ± 5°C
Pääputki kaapeloida	H07RN-F, 3G x 1,5 mm <sup>2</sup>
Hihtauskaapeli	H01N2-D1 x 10 mm <sup>2</sup>

### Pakkauksen sisältö

- 1 Hihtauslaitte
- 1 Hihtausmaski
- 1 Teräsharja/kuonavasara
- 1 Käyttöopas
- 1 Turvaohjeet
- 1 Takuukortti

Tarkista, että kone, irto-osat ja varusteet eivät ole vaurioituneet kuljetuksen aikana.

## Tuotetiedot

### Kuva 1

1. Lämpötilan varoitusvalo
2. Virtakytkin
3. Virran säätönappi
4. Hitsauskaapeli ja puikonpidin
5. Maadoituskaapelin ja kiinnike
6. Kumitassu
7. Kahva
8. Tuuletusaukot
9. Teräsharja/kuonavasara
10. Hitsausmaski
11. Hitsauspuikot

### Taulukko: säädöt ja käyttötarkoitus

Ø Puikko (mm)	Virta (A)	Käyttökohde (esim.):
1.6	45-55	Ainevahvuus ≤ 2 mm Pyörien/mopojen korjaus
2	50-75	Ainevahvuus 2 - 3 mm Hyllyn korjaus
2.5	70-100	Ainevahvuus 4 - 5 mm Teräskäiteet, puutarhatyökalut
3.2	95-150	Ainevahvuus 6 - 7 mm Portti, autotali
4	130-220	Ainevahvuus 8 -12 mm Rakenteet (raskaat)
5	190-250	Ainevahvuus ≥ 12 mm Rakenteet (erittäin raskaat)

## 2. Turvaohjeet

### Symbolien selitys



Varoitus! Lue käyttöohjekirja



Osoittaa loukkaantumisvaaran, hengenvaaran tai työkalun vaurioitumisriskin, jos tämän oppaan ohjeita ei noudateta.



Osoittaa sähköiskuvaaran.



Irrota pistotulppa välittömästi pistorasiasta, jos johto vaurioituu tai jos laitetta aletaan huoltaa.



Älä päästä ulkopuolisia lähelle laitetta.



Ei saa käyttää sateessa.



Käytä suojalaseja ja kuulonsuojaimia.



Käytä suojakäsineitä.



Käytä hitsauksessa aina hitsausmaskia



Käytä suojaavaa vaatetusta

**EN60974-6** Standardi metallien manuaalisen kaarihitsaukseen laitteille, joilla on rajallinen takuu.



Puikonpidin



Maadoitusnapa



Jännite laskee



Yksivaihemuuntaja



Syöttöpiiri, vaiheiden määrä (esimerkiksi 1 tai 3), vaihtovirran ja nimellistaajuuden (esimerkiksi 50 Hz tai 60 Hz) symboli



Puikon halkaisija



Sulake 16A



$I_{eff}$  Tehollinen enimmäissyöttövirta vasemmalla



$I_2$  Toisiopiirin virta (Ampeeria)



Nimellinen enimmäishitsausaika jaksottaisessa käyttötilassa



Nimellinen enimmäishitsausaika jatkuvassa käyttötilassa

**IP21S** Suojausluokka. Tiivis yli 12 mm kokoisille esineille ja pystysuorille vesiroiskeille. Vesisuojauksessa pysäytystoiminto.

**H** Eristysluokka

**U<sup>0</sup>** Avoin jännite voltia

**U<sup>1</sup>** Verkkojännite voltia

**U<sup>2</sup>** Tavalliset kuormausjännitearvot

IEC 60974-10-standardin mukainen EMC-luokitus

### Hitsauslaitteiden yleiset turvaohjeet

- Koneen käyttäjän on opetettava koneen käyttö.
- Huolehdi työtilan valaistuksesta ja puhtaudesta.
- Irrota aina pistoke pistorasiasta ennen huoltotoimia.
- Irrota pistoke pistorasiasta, kun poistut koneen luota.
- Älä käytä konetta, ennen kuin olet koonnut ja asentanut sen käyttöohjeen mukaisesti.

### Hitsauslaitteiden erityiset turvaohjeet

- Sähköiskun vaara: hitsauselektrodista aiheutuva sähköisku aiheuttaa hengenvaaran. Älä hitsaa vesi- tai lumisateessa. Varmista, että eristyskäsineet pysyvät kuivina työskentelyn aikana. Älä koske elektrodiin paljain käsin. Älä käytä työskentelyn aikana märkiä tai vaurioituneita käsineitä. Suojaa itsesi sähköiskulta eristämällä itsesi asianmukaisesti työkohteesta. Älä avaa laitteen kotelo.
- Hitsausohryyn aiheuttama vaara: hitsausohryyt voivat olla vaarallisia terveydelle. Älä hengitä hitsausohryyä. Käytä laitteita vain avoimessa työskentelytilassa. Poista ohryyt asianmukaisella tuulettimella.
- Hitsauskipinöiden aiheuttama vaara: hitsauskipinät voivat aiheuttaa räjähdysten tai tulipalon. Älä säilytä helposti syttyviä aineita hitsausalueella. Älä hitsaa helposti syttyvien aineiden läheisyydessä. Hitsauskipinät voivat aiheuttaa tulipalon. Pidä palosammutin lähellä työskentelyaluetta. Varmista myös, että joku on koko ajan valmiudessa käyttämään sammutinta tarvittaessa. Älä hitsaa tynnyrien tai suljettujen säiliöiden päällä.
- Hitsauskaaren aiheuttama vaara:

hitsauskaaren säteet voivat vaurioittaa silmiä ja ihoa. Käytä työskennellessä suojapäähinettä ja -laseja. Käytä kuulonsuojaimia ja napitettavaa paitaa. Varmista, että kaikki paidan napit on napitettu kaulukseen saakka. Käytä hitsauskypärää, jossa on asianmukaisesti tummennettu suojalasi. Suojaa koko vartalo.

- Sähkömagneettikentän aiheuttama vaara: hitsausvirta saa aikaan sähkömagneettikentän. Hitsaajalla ei saa olla sydämentahdistinta eikä muita lääkinällisiä laitteita. Älä koskaan kiedo hitsauskaapeleita vartalon ympärille. Pidä hitsauskaapelit yhdessä, ja reititä ne kulkemaan samaa matkaa.
- Hitsaaminen aiheuttaa kipinöitä ja metallin kuumenemista. Muista, että tämä aiheuttaa palovaaran. Poista kaikki syttyvät esineet työtalasta.
- Varmista työtilan riittävä ilmanvaihto. Hitsauskaasut ovat terveydelle haitallisia.
- Älä hitsaa säiliöitä tai putkia, joissa on tai on ollut palavia nesteitä tai kaasuja (palo- ja räjähdysvaara).
- Älä hitsaa materiaaleja, jotka on puhdistettu herkästi syttyvillä nesteillä tai joiden pinnat on maalattu (vaarallisten kaasujen kehittymisvaara).
- Älä työskentele kosteassa tai märässä ympäristössä äläkä hitsaa sateessa.
- Suojaa aina silmäsi mukana toimitettavalla hitsausmaskilla.
- Käytä suojakäsineitä ja suojaavaa vaatetusta, jotka ovat kuivat eikä niissä ole öljyä tai likaa.
- Irrotettava kuona voi olla hehkuvan kuumaa ja se voi aiheuttaa vakavia silmävaurioita irrotettaessa. Käytä aina suojalaseja ja -käsineitä.
- Ultraviolettisäteily voi aiheuttaa ihon palamista hitsaamisen aikana. Käytä siksi aina sopivia suojavaatteita.
- Hitsauslaitteessa on ylikuormitusuoja. Ylikuormitustilanteessa laite kytkeytyy pois päältä. Hitsauslaite käynnistyy automaattisesti uudelleen, kun se on jäähtynyt riittävästi.
- Työkappale voi muuttaa muotoaan hitsauksen ja jäähtymisen aikana. Ota tämä huomioon.
- Käytä vain mukana toimitettuja hitsausjohtoja (Ø 10 mm<sup>2</sup> kuminen hitsausjohto).
- Tulipalo- ja räjähdysvaarallisia alueita koskevat erityiset määräykset.
- Sellaiset hitsausliitokset, jotka joutuvat alltiiksi suurelle rasitukselle ja joiden tulee täyttää

tietyt turvallisuusvaatimukset, saa luoda ainoastaan erityisesti koulutetut ja päteviksi todetut hitsaajat. Esimerkkejä ovat: painekattilat, liukukiskot, perävaunukytkennät jne.

- Huomautus: Kytke nipistin aina mahdollisimman lähelle hitsauspaikkaa, jotta hitsausvirralla on mahdollisimman lyhyt matka elektrodista nipistimeen. Älä milloinkaan kytke nipistintä hitsauslaitteen koteloon! Älä milloinkaan kytke nipistintä kaukana työstettävästä kappaleesta sijaitseviin maadoitettuihin osiin, esim. huoneen toisella puolella sijaitsevaan vesiputkeen. Muussa tapauksessa hitsaushuoneen suojajohdinjärjestelmä voi vaurioitua.
- Pistorasioiden tulokaapeleiden suojausten tulee olla määräysten mukaiset (VDE 0100). Suojakosketinpistorasiat saa suojata max 16 A:n (tyypit ja tekniset tiedot: RT14-20, Ø 10 x 38, AC 400 V 16A. IEC 60269. Hitaasti laukeava. Valmistaja: Chint) varokkeilla tai johdonsuojakytkimillä. Voimakkaammat suojaukset voivat syyttää johdon palamaan tai aiheuttaa rakennukseen palovaurioita.

## Köturvallisuus



*Kytke heti virta koneesta, jos:*

- verkkopistokkeessa tai virtajohdossa on vika tai johto vahingoittuu.
- kytkin on viallinen.
- Savua kehittyy tai haistat eristeen palavan.



*Varoitus! Verkkoiliitännän tilasta riippuen hitsauskoneen virtalähteen kytkeminen voi aiheuttaa häiriöitä muihin sähkölaitteisiin. Jos tästä on epäilystä, kysy lisätietoja sähkötyöiltä.*

- Varmista, että hitsauslaitteen sähkökytkennät on tehty oikein. Vähäisinkin sähköiskun mahdollisuus voi olla hengenvaarallinen.
- Varmista aina hyvä kytkentä sekä puikonpitimessä että maadoitusliittimessä.
- Älä vahingoita sähköjohtoja vetämällä. Irrota johdot, ennen kuin siirrä hitsauslaitetta.
- Vältä koskettamasta hitsauslaitteen sähköä johtavia osia, puikonpidintä ja maadoitusliittintä.
- Varmista, että verkkojännite vastaa koneen tyyppikilven arvoa.
- Kun vaihdat johtoja tai liittimiä: Heitä aina

vanhat kaapelit ja pistokkeet pois, jos ne on korvattu uusilla. Väljentyneen pistokkeen käyttäminen on vaarallista.

- Käytä 230 voltin hitsauslaitteiden kanssa vähintään 16 A sulaketta.
- Jatkojohtoja käytettäessä on huomioitava: Käytä vain koneen teholuokitukseen sopivaa jatkojohtoa. Johtimien poikkileikkauksen on oltava vähintään 1,5 mm<sup>2</sup>. Vedä rullalla oleva jatkojohto kokonaan ulos.
- Jätä verkkojännitepuoleen – kaapelit, pistokkeet, pistorasiat jne. – kohdistuvat työt sähköalan ammattilaisen tehtäväksi.

## 3. Lisävarusteiden kiinnitys



*Varmista, että pistoke on irrotettu pistorasiasta, kun kiinnität lisälaitteita.*

### Koneen asennus

- Asenna hitsauslaite kuivassa ja puhtaassa tilassa (jossa ei ole teräs- tai muuta pölyä tai maalia).
- Aseta hitsauslaite lujalle ja vaakasuorassa olevalle pinnalle vähintään 20 cm etäisyydelle seinästä.
- Suojaa hitsauslaite sateelta ja voimakkaalta auringonvalolta.

### Hitsausmaski

#### Kuva 2

- Siirrä hitsausmaskin kahvaa, kunnes se lukittuu.
- Aseta valolasi (suojalasi) tumman hitsauslasin eteen. Siirrä molemmat lasit aukon eteen.
- Varmista, että molemmat lasit estävät (vahingollisen) valon tulemisen aukosta.
- Vaihda valolasi, kun työkalu ei enää näy kunnolla hitsatessa. Tumman hitsauslasin vaihtaminen on selvästi kalliimpaa kuin valolasin vaihto.

### Uuden puikon kiinnittäminen

Puikko koostuu metalliytimestä, joka on pinnoitettu. Puikon toisessa päässä ei ole pinnoitetta.

- Paina puikonpitimen kahvaa jouta vasten.
- Aseta puikon pinnoittamaton pää ( $\pm 2$  cm) puikonpitimeen. Varmista, että pinnoittamaton osa saa hyvän kosketuksen puikonpitimen metalliosasta (puikko ei saa olla liian syvällä pitimessä).
- Vapauta kahva. Puikko on nyt kiinnitetty.



**HUOM!** Älä anna puikon palaa lyhyemmäksi kuin 5 cm puikonpitimen kuumenemisen ja/tai muodonmuutoksen välttämiseksi. Loppuun palanutta puikkoa on vaikea irrottaa.

### Käytetyn puikon irrotus

Paina puikonpitimen kahvaa jousta vasten, jotta käytetty puikko pääsee putoamaan pitimestä.



**HUOM!** Älä irrota puikkoa käsin pitimestä. Puikko on erittäin kuuma.



**HUOM!** Varmista, ettei putoava käytetty puikko sytytä mitään.

## 4. Käyttö

### Ennen käyttöä:

- Yleistä kaarihitsauksesta
- Puikko
- Suojaavat vaatteet
- Kasvojen suojaaminen
- Työympäristö

### a. Yleistä kaarihitsauksesta

Kaaren lämpötila voi olla jopa 7000 °C, joten puikon pää sulaa yhteen työkappaleen kanssa. Kaaren palaessa puikko sulaa ja hitsausainetta siirtyy yhteen liitettäviin osiin. Puikon ja työkappaleen on oltava mahdollisimman lähellä toisiaan (noin 1,5 - 4 mm) puikon halkaisijan ja tyypin mukaan. Hitsaukseen tarvittava virta saadaan hitsauslaitteesta. Hitsauslaitteen ottama teho määräytyy tehtävän työn mukaan. Varmista, että puikot ovat täysin kuivat, koska kosteus aiheuttaa ongelmia. Jos puikko takertuu työkappaleeseen hitsauksen aikana, käytetty virta-asetus on liian pieni.

### b. Puikko

- Puikko koostuu metalliytimeistä, joka on pinnoitettu. Pinnoitteen tärkein tehtävä on suojata hitsausaluetta ja siirtyviä pisaroita ympäröivän ilman hapelta ja typeltä. Puikko sulaa hitsauksen aikana. Osa pinnoitteesta kaasuntuu muodostaen kaasusuojan. Osa pinnoitteesta kelluu hitsisulassa (terästä kevyempänä) ja suojaa siten myös jäähtyvää hitsiä. Jäähtyttyään pinnoite muuttuu kiinteäksi, mutta helposti irrotettavaksi kuonaksi hitsisamallalla.

- Käsittele puikkoja huolellisesti, jotta pinnoite ei murru. Varmista puikkojen kuivana pysyminen säilyttämällä ne kuivassa paikassa.
- Hyvän ja vahvan hitsisauman edellytys on oikean puikon käyttäminen. Useimmissa tapauksissa voidaan käyttää yleispuikkoa. Puikkopakauksessa ilmoitetaan, missä asennoissa sillä voidaan hitsata (pään yläpuolella, alaspäin tms. ottaen huomioon puikon sulamisnopeus). Erilaisia puikkoja voidaan hankkia ruostumattoman teräksen ja valuraudan hitsaamista varten. Kysy myyjältä sopivaa puikkoa.

### c. Suojaavat vaatteet

Käytä peittävää vaateetusta, jotta välttyä ultraviolettisäteilyn tai sulan metalliroiskeiden aiheuttamilta palovammoilta. Suositeltavia ovat puuvillahaalarit, hitsauskäsineet ja turvajalkineet. Varmista, etteivät hitsausroiskeet pääse käsineisiin tai kenkiin. (Nahkainen) hitsausesiiliina estää kipinöiden ja tulen pääsyn haalareille.

### d. Kasvojen suojaaminen

#### Kuva 2

Käytä hyvää hitsausmaskia, jossa on (tumma) hitsauslasi ja suojalasi. Tarkista, että molemmat lasit on kiinnitetty oikein (tiiviisti, jotta valoa ei pääse ohi).

Hitsausmaski suojaa hitsaajaa säteilyltä, kuumuudelta ja hitsausroiskeilta hitsauksen aikana. Maski vähentää myös hitsaushöyryjen hengittämistä.

Näkymätön ultraviolettisäteily aiheuttaa ihon punoitusta. Tämä voi syntyä jo muutamassa sekunnissa valokaarta katsottaessa. Suojaudu säteilyltä ja korkeilta lämpötiloilta kasvojen ja muiden esillä olevien osien, kuten kaulan ja käsivarsien, alueella. Suojaudu valokaaren vaarallisilta vaikutuksilta ja pidä työhön osallistumattomat henkilöt vähintään 15 m:n etäisyydellä valokaaresta. Myös valokaaren läheisyydessä olevien henkilöiden ja avustajien tulee olla tietoisia vaaroista ja heillä tulee olla tarvittavat suojaruusteet. Tarvittaessa on asennettava suojaesineitä.

### e. Työympäristö

- Huolehdi työtilan ilmanvaihdosta. Hitsauskaasut ovat terveydelle haitallisia.
- Poista työtilasta kaikki syttyvät esineet.

Hitsaaminen aiheuttaa kipinöitä ja metallin kuumenemista.

- Varmista, että työtilassa on jäähdytysvettä. Älä jätä juuri hitsattua (kuumaa) työkalua paikalleen. Jäähdytä työkalua, ennen kuin poistut työtilasta.

### Suojautuminen säteilystä ja palovammoilta

- Aseta työskentelyalueelle kyltti "Varo! Älä katso liekkiin!" merkiksi silmiin kohdistuvasta vaarasta. Työskentelyalueet tulee mahdollisuuksien mukaan suojata suojaseinillä lähistöllä olevien henkilöiden suojaamiseksi. Sijatomat henkilöt on pidettävä loitolla hitsausalueesta.
- Kiinteiden työskentelyalueiden välittömässä läheisyydessä olevat seinät eivät saa olla kirkkaan värisiä tai kiiltäviä. Ikkunat on suojattava vähintään pään korkeudelle saakka säteiden läpi pääsemisen ja takaisin heijastumisen estämiseksi, esim. sopivalla maalikerroksella.

### Käytön aloitus

#### Kuva 3

Vihje: Ennen vaikeiden työkalujen hitsaamista kannattaa hitsata helpompia koekappaleita.

- Puhdista työkalua: poista ruoste, rasva ja maalijäämät.
- Säädä virta hitsauslaitteen etuosassa olevasta nupista.
- Virran voimakkuus määräytyy työkalusta ja käytetystä puikosta.
- Aseta puikon pinnoittamatonpää puikonpitimeen ja kytke maadoitusliitin työkaluun.
- Kytke hitsauslaitteeseen virta pääkytkimestä.
- Pidä hitsausmaski kasvoillasi ja liikuta puikon kärkeä työkaluleella siten, kuin sytyttäisit tulitikun. Tämä on paras tapa sytyttää hitsauskaari. Älä iske työkalua puikolla. Puikko voi vahingoittua ja vaikeuttaa hitsauskaaren syttymistä.
- Kun valokaari syttyy, yritä heti pitää puikon kärjen ja työkalun välinen etäisyys vakiona. Puikon halkaisijan mitta on hyvä etäisyys. Pidä etäisyys mahdollisimman vakiona hitsauksen aikana.
- Liikuta puikkoa hitaasti vetäen työkalun pinnalla.
- Pidä puikon ja työkalun välinen kulma 60° - 70° välillä liikkeen suunnassa.

- Kun hitsauskaari on valmis, katkaise kaari vetämällä puikko irti työkalusta.
- Kytke virta pois hitsauslaitteesta.



*Huom. Jos jätät virran päälle, on todennäköistä, että puikko osuu (työtelineen kautta) maadoitusjohtoon ja sytyttää valokaaren.*

- Poista kuona hitsauskaaren kuonavasaran avulla.



*Varo kuumia sinkoilevia metallisiruja. Käytä aina suojalaseja.*

- Älä koskaan hitsaa kuonan päälle: kuona muodostaa eristävän ja huonolaatuisen kerroksen, jolloin tuloksena on heikko sauma (kuonasuulkeuma).
- Harjaa sauma puhtaaksi teräsharjalla.



*Huom. Työkalu on edelleen erittäin kuuma. Älä jätä kuumaa työkalua ilman valvontaa.*

### Lämpötilan varoitusvalo

#### Kuva 1

Jos hitsauslaitteen lämpötila nousee liiaksi, sisään rakennettu termostaatti kytkee pois virran (varoitussignaali syttyy). Sisäänrakennettu tuuletin jäähdyttää koneen. Lamppu sammuu, kun laite on jäähtynyt riittävästi. Anna koneen jäähtyä riittävästi. Voimakkaalla virralla hitsatessa on todennäköistä, että muutoin termostaatti katkaisee virran uudelleen muutaman minuutin kuluttua.

## 5. Huolto ja kunnossapito



*Irrota aina kone virtalähteestä ennen huollon aloittamista.*

Koneet on suunniteltu toimimaan pitkään ja mahdollisimman pienellä huoltotarpeella. Puhdistamalla ja käyttämällä sitä oikealla tavalla voit itseen vaikuttaa koneen käyttöikänsä.

### Viat

Jos kone ei toimi oikein, tarkista alla oleva luettelo, joka sisältää mahdollisia syitä ja niiden ratkaisuja:

### Hitsauslaite ei toimi

- Maadoitusliittimen kosketus työkaluun on huono



- Puikko ei ole oikein pitimessään
- Lämpökytkin on ohitettu
- Viallinen sulake (sulaketaulussa), tai lämpösuoja on palanut.
- Johto on vioittunut
- Kytkin on viallinen / ota yhteys jälleenmyyjään

### Puikko takertuu jatkuvasti työkappaleeseen

- Käytä oikean tyyppistä puikkoa (yleis-)
- Virta-asetus liian pieni / kierrä nuppia 3 myötäpäivään

### Puikko on punahehkuinen

- Virta-asetus liian suuri kyseisen tyyppiselle puikolle / kierrä nuppia 3 vastapäivään

### Puikko roiskii paljon ja pitää kovaa ääntä hitsatessa

- Virta-asetus liian suuri / kierrä nuppia 3 vastapäivään

### Kone on liian kuuma, merkkivalo palaa

- Tuuletusaukot ovat tukkeutuneet / puhdista aukot kuivalla kankaalla. Odota muutama minuutti, että lamppu sammuu



*Korjaukset on aina teetettävä valtuutetussa huoltoliikkeessä.*

### Puhdistaminen

- Varmista, että tuuletusaukot eivät tukkeudu. Käytä tiukasti kiinnittyneeseen likaan pehmeää saippuaveteen kostutettua kangasta. Älä käytä liuottimia, kuten bensiiniä, alkoholia tai ammoniakkaa.
- Pidä huolta, ettei puikonpitimeen tai maadoitusliittimeen muodostu ruostetta hyvän sähköisen yhteyden varmistamiseksi.
- Tarkista säännöllisesti, että hitsaus- ja maadoitusjohdot ovat tiukasti kiinni liittimissään.

### Voitelu

Konetta ei tarvitse voidella.

### Viat

Jos kone vikaantuu esimerkiksi osan kulumisen johdosta, ota yhteys takuukortin huoltopisteeseen. Tämän käyttöoppaan takasivulla on hajotuskuva, jossa on lueteltu tilattavissa olevat osat.

### Ympäristö

Kuljetusvaurioiden välttämiseksi kone on pakattu

tukevaan laatikkoon. Tämä pakkaus on mahdollisimman ympäristöystävällinen. Kierrätä se.



*Vioittuneet tai käytöstä poistettavat sähkölaitteet on toimitettava asianmukaiseen kierrätyspisteeseen.*

### Takuu

Lue takuuehdot koneen mukaan liitetystä takuukortista.

## SVEISEAPPARAT

**Tallene i teksten henviser til diagrammene på side 2 + 109**



For din egen og andres sikkerhets skyld anbefaler vi at du leser denne bruksanvisningen nøye før du bruker denne sagen. Oppbevar denne bruksanvisningen og dokumentasjonen som kom sammen med sagen for fremtidig referanse.

### Innledning

Smeltesveisingssprosessen brukes til å smelte arbeidsstykket under påvirkning av tilført varme. Med elektrisk buesveising brukes også sveisemateriale (elektroder). Sveisen oppstår etter størkning.

Nødvendig varme oppnås med en elektrisk bue mellom elektroden og arbeidsstykket.

Sveiseprosessen krever sterk strøm (40-100 A) med relativ lav spenning (10-48 V). En transformator i sveiseapparatet sørger for senking av nettspenningen (230 V).

Apparatet egner seg ikke til ervervsmessig bruk!

### Innhold

1. Maskininformasjon
2. Sikkerhetsinstruksjoner
3. Montering av tilbehør
4. Bruk
5. Service og vedlikehold

## 1. Maskininformasjon

### Tekniske spesifikasjoner

Spenning	230 V ~
Frekvens	50 Hz
Sveiestrøm	40-100 A
Tenningspenning	≤ 48 V
Elektrodetykkelse	1,6 - 2,5 mm
Vekt	13,2 kg
Mål	290x195x170 mm
Varmebeskyttelse	100°C ± 5°C
Stromkabel	H07RN-F, 3G x 1,5 mm <sup>2</sup>
Sveisekabel	H01N2-D1 x 10 mm <sup>2</sup>

### Pakkens innholder

- 1 Sveiseapparat
- 1 Sveisemaske
- 1 Stålbørste/rusthammer
- 1 Bruksanvisning

- 1 Sikkerhetsinstruksjoner
- 1 Garantikort

Undersøk om det har oppstått skade på maskinen eller tilbehør under transporten.

### Produktopplysninger

#### Fig. 1

1. Indikatorlampe for temperatur
2. På/av-bryter
3. Dreiebryter for innstilling av strømstyrke
4. Sveisekabel med elektrodeholder
5. Jordkabel med feste
6. Gummihette
7. Håndtak
8. Ventilasjonsspalter
9. Stålbørste/rusthammer
10. Sveisemaske
11. Elektroder

### Tabell: montering og bruk

Ø Electrode (mm)	Strømstyrke (A)	Passer blant annet for:
1.6	45-55	Materialtykkelse ≤ 2 mm Reparasjon av moped/sykkel
2	50-75	Materialtykkelse 2-3 mm Reparasjon av veggstativ
2.5	70-100	Materialtykkelse 4-5 mm Hagegjerde, hagegjenstander
3.2	95-150	Materialtykkelse 6-7 mm Carport, garasje
4	130-220	Materialtykkelse 8-12 mm Konstruksjoner (kraftige)
5	190-250	Materialtykkelse ≥ 12 mm Konstruksjoner (svært kraftige)

## 2. Sikkerhetsinstruksjoner

### Forklaring av symboler



Forsiktig! Les brukerhåndboken



Angir fare for personskade, livsfare eller skade på maskinen hvis instruksjonene i denne bruksanvisningen ikke følges.



Fare for elektrisk støt.



Trekk umiddelbart støpselet ut av stikkontakten hvis ledningen skades og i forbindelse med vedlikehold.



Hold andre personer på avstand.



Beskytte imot regne



Bruk vernebriller og hørselsvern.



Bruk vernehansker.



Bruk alltid sveisemaske sveising



Bruk verneklær

## EN60974-6

Standard for sveiseapparater for manuell metalbuesveising med begrenset kapasitet.



Elektrodeholder



Jordingsklemme



Synkende spenning



Énfases transformator



Strømforsyningskrets, antall faser (f.eks. 1 eller 3), symbol for vekselstrøm og den nominelle frekvensen (f.eks. 50 eller 60 Hz)



Elektrodediameter



Sikring 16A

$I_{\text{eff}}$

maksimal effektiv forsyningsstrøm

$I^2$

Sekundær strømstyrke i ampere



Nominell maksimal sveisetid i periodisk modus

Nominell maksimal sveisetid i kontinuerlig modus

IP21S

Beskyttelsesglass. Tett mot objekter opp til 1,2 mm, og mot loddrett fallende vanndrypp. Avbrudd med vannkontroll

H

Isolasjonsklasse

H

Åpen spenning i volt

U<sup>1</sup>

Strømspanning i volt

U<sup>2</sup>

Verdier for den tradisjonelle lastspenningen

EMC-klassifisering i henhold til IEC 60974-10

### Generelle sikkerhetsinstruksjoner for sveiseapparater

- Brukeren av maskinen må ha fått opplæring i bruk av maskinen.
- Sørg for å ha et godt belyst og ryddig arbeidsmiljø.
- Trekk alltid ut kontakten før utførelse av vedlikehold på apparatet.
- Trekk ut kontakten når du forlater apparatet.
- Ikke bruk apparatet før det er ferdig montert og ferdig satt opp slik det er beskrevet i håndboken.

### Spesifikke sikkerhetsinstruksjoner for sveiseapparatet

- Fare for elektrisk støt: Elektrisk støt fra sveiseelektroder kan være livsfarlig. Ikke sveis utendørs når det regner eller snør. Ha på tørre isolasjonshansker. Ikke berør elektroder med bare hender. Ikke ha på våte eller skadde hansker. Beskytt deg selv mot elektrisk støt ved å isolere deg selv fra arbeidsstykket. Ikke åpne utstyrskapslingen.
- Fare forårsaket av sveiserøyk: Innånding av sveiserøyk kan være helseskadelig. Hold hodet unna sveiserøyken. Bruk utstyret i et åpent område. Bruk en ventilasjonsvifte til å fjerne sveiserøyk.
- Fare forårsaket av sveiseegnister: Sveiseegnister kan forårsake eksplosjon eller brann. Hold brennbart materiale borte fra sveiseområdet. Ikke sveis i nærheten av brennbart materiale. Sveiseegnister kan forårsake brann. Ha et brannslukkingsapparat i nærheten, og ha en person klar til å bruke det

like ved. Ikke sveis på tønner eller andre lukkede beholdere.

- Fare forårsaket av lysbuen: Stråler fra lysbuen kan gi brannskader i øynene og skade huden. Ha på hjelm og vernebriller. Bruk hørselsvern og kneppet skjortekrage. Bruk sveisehjelm med riktig nyanse på filteret. Ha på komplett verneutstyr.
- Fare forårsaket av elektromagnetiske felt: Sveisestrøm skaper elektromagnetiske felt. Ikke bruk med medisinske implantater. Ikke vikle sveisekabler rundt kroppen. Føør sveisekablene sammen.
- Sveising fører til gnister og oppvarming av metall. Husk at dette medfører brannfare. Fjern alle brennbare objekter fra arbeidsområdet.
- Sørg for god ventilasjon i arbeidsområdet. Det frigjøres helseskadelige gasser under sveising.
- Ikke sveis på beholdere eller rør som inneholder eller har inneholdt brennbare væsker eller gasser (brann- og eksplosjonsfare).
- Ikke sveis materialer som er rensert med svært brennbare væsker eller som har malt overflate (fare for farlige gasser).
- Ikke arbeid i et fuktig eller vått miljø. Ikke sveis hvis det regner på arbeidsområdet.
- Beskytt alltid øynene med den medfølgende sveisemasken.
- Bruk hansker og beskyttelsesklær som er tørre og som ikke er oljete eller skitne.
- Slagget som avskalles er av og til glødende varmt og kan forårsake alvorlige synsskader under fjerning. Bruk alltid beskyttelsesbriller og -hansker.
- Ultrafiolett stråling kan brenne huden under sveisingen. Bær derfor alltid egnede beskyttelsesklær.
- Sveiseapparatet er sikret mot overbelastning. Sveiseapparatet slår seg derfor automatisk av hvis det overbelastes. Sveiseapparatet slår seg automatisk på igjen når det er tilstrekkelig avkjølt.
- Under sveising og avkjøling kan arbeidsstykket deformeres på grunn av spenninger. Husk alltid dette.
- En må kun bruke de sveiseledningene som følger med i leveransen (Ø 10 mm 2 gummisveiseledning).
- Spesielle foreskrifter gjelder i brann og eksplosjonsfarlige rom.
- Sveiseforbindelser som er utsatt for stor

belastning og må oppfylle bestemte sikkerhetskrav kan bare sveises av spesialutdannete og faglærte sveisere. Eksempler på dette er: Trykkbeholder, gledeskiner, tilhengerkoplere osv.

- NB: Koble alltid jordingsklemmen så nært til sveisestedet som mulig, slik at sveisestrømmen kan ta den korteste mulige veien fra elektroden til masseklemmen. Forbind aldri jordingsklemmen med sveiseapparatkassen! Koble aldri jordingsklemmen til jordete deler som ligger langt fra arbeidsstykket, f.eks et vannrør i et annet hjørne i rommet. Ellers kan jordledningssystemet i rommet hvor du sveiser bli skadet.
- Sikringen til tilførselen i stikkontaktene må være i henhold til forskriftene (VDE 0100). Jordete støpsel kan med maks 16A (Typer og tekniske data: RT14-20, Ø 10 x 38, AC 400 V 16A. IEC 60269) være trege. Produsent: Chint. Sikres (Sicherungen oder Leitungsschutzschalter). Høyere sikring kan føre til ledningsbrann eller bygnings-skade.

### Elektrisk sikkerhet



*Slå av maskinen med en gang dersom*

- *det er feil på strømkontakten og strømkabelen, eller når det er skader på kabelen.*
- *det er feil på bryteren.*
- *du ser røyk eller lukter brent isolasjon.*



*Advarsel! Avhengig av strømforsyningens tilstand ved tilkoblingspunktet, kan sveisestrømkilden forårsake forstyrrelser på strømforsyningen til andre strømførbrukere. Hvis du er i tvil når det gjelder dette, bør du kontakte elektriker.*

- Forsikre deg om at sveiseapparatets elektriske forbindelser er riktig utført. Alle muligheter for elektrisk støt kan medføre livsfare.
- Sørg alltid for gode forbindelser, både for elektrodeholderen og jordingsklemmen.
- Ikke trekk i kablene slik at de skades. Koble fra kablene før du flytter apparatet.
- Unngå kontakt med den elektrisk ledende delen av sveiseapparatet, elektrodeholderen og jordingsklemmen.
- Forsikre deg alltid om at nettspenningen

svarer til spenningen som er angitt på typebetegnelsesplaten på apparatet.

- Når kabler og kontakter skal skiftes: Kast gamle kabler og kontakter når de er skiftet ut med nye. Det er farlig å sette inn en løstnet kontakt.
- I alle sveiseapparater som bruker 230 volt, må det brukes minst 16-ampers sikringer.
- Når det brukes skjøteledning: Bruk bare en godkjent skjøteledning som passer til apparatets strømførbruk. Kabelkjernen må ha en diameter på minst 1,5 mm<sup>2</sup>. Trekk ledningen helt ut av en eventuell snelle.
- Arbeid med nettspenning, f.eks på ledninger stikkontakter, støpsler osv skal kun utføres av godkjent elektriker.

### 3. Montering av tilbehør



*Forsikre deg om at kontakten er trukket ut før montering av tilbehør.*

#### Oppsett av apparatet

- Plasser sveiseapparatet på et tørt og rent sted (uten jernspon, støv og maling).
- Plasser sveiseapparatet på en stødig og flat overflate og minst 20 cm fra vegg.
- Beskytt sveiseapparatet mot regn og sterkt sollys.

#### Sveisemasken

##### Fig. 2

- Skyv håndtaket på sveisemasken i lås.
- Plasser det lyse glasset (beskyttelsesglass) foran det mørke sveiseglasset. Skyv begge glassene foran åpningen.
- Plasser glassene slik at ikke noe skadelig lys kommer gjennom åpningen.
- Skift lysbeskyttelsesglass når sikten mot arbeidsstykket blir for dårlig under sveising. Det er mye dyrere å skifte det mørke sveiseglasset enn det lyse beskyttelsesglasset.

#### Sette på nye elektroder

Elektroden består av en metallkjerne med et belegg. I den ene enden av elektroden er kjernen dekket av belegget.

- Press håndtaket på elektrodeholderen mot fjæren.
- Sett en elektrode, med enden uten belegg ( $\pm 2$  cm), inn i elektrodeholderen. Forsikre deg om at den udekte delen får god

kontakt med metalldelen i elektrodeholderen (elektroden må ikke skyves for hardt inn i elektrodeholderen).

- Slipp håndtaket. Elektroden er nå festet.



*N.B! Elektroden må ikke brennes til kortere lengde enn  $\pm 5$  cm. Dette kan føre til overoppheting og deformasjon av elektrodeholderen. Det blir da vanskelig å ta ut den oppbrente elektroden.*

#### Ta ut brukte elektroder

Press håndtaket på elektrodeholderen mot fjæren, slik at den oppbrente elektroden frigjøres fra holderen.



*N.B! Ikke ta ut elektroden med hendene. Elektroden er svært varm!*



*N.B! Unngå at elektroden faller ned et sted der det kan oppstå brannfare og mulige skader.*

### 4. Bruk

#### Før bruk:

- Generelle opplysninger om elektrisk buesveising
- Elektroden
- Beskyttelsesklær
- Ansiktsbeskyttelse
- Arbeidsmiljø

#### a. Generelle opplysninger om elektrisk buesveising

Temperaturen på buen blir omtrent 7000° Celsius, slik at enden på elektroden og arbeidsstykket smelter sammen. Så lenge buen er tent, smelter elektroden og forsyner delene som skal sveises sammen, med sveisemateriale. Avstanden mellom elektroden og arbeidsstykket må være så kort som mulig, omtrent 1,5 - 4 mm avhengig av elektrodens diameter og type. Nødvendig strøm for sveisingen tilføres av sveiseapparatet, hvilken strømstyrke som kreves av sveiseapparatet, avhenger av arbeidet som skal utføres.

Forsikre deg om at elektrodene er helt tørre.

Fuktige elektroder skaper problemer. Hvis elektrodene fester til arbeidsstykket under sveising, skyldes det at strømstyrken er satt for lavt.

#### b. Elektroden

- Elektroden består av en metallkjerne med et

belegg. Beleggets viktigste oppgave er å beskytte sveiseflaten og overføringsdråpene mot oksygen og nitrogen i den omgivende luften.

Elektroden smelter under sveisingen. Deler av belegget fordamper og danner et beskyttende gassaktig skjold. Deler av belegget flyter på sveiseflaten (det er lettere enn stål) og beskytter også den kjølnende sveisen. Etter nedkjøling blir dette belegget til et fast slag på skjøten, som er lett å fjerne.

- Behandle elektrodene forsiktig slik at belegget ikke sprekker. Forsikre deg om at elektrodene er helt tørre, og oppbevar dem tørt.
- Det er svært viktig å bruke riktige elektroder for å få en god og sterk sveiseskjøt. En universalelektrode kan ofte være passende for det arbeidet du skal utføre.

Elektrodeemballasjen er merket med i hvilke posisjoner sveising med de aktuelle elektrodene kan utføres (over hodet, nedover etc., med tanke på elektrodens smeltehastighet). Det er forskjellige elektroder i handelen, for sveising av forskjellige typer rustfritt stål og støpejern. Kontakt forhandler når det gjelder kjøp av riktige elektroder.

### c. Beskyttelsesklær

Bær godt dekkende klær, slik at faren for at huden skal brennes av ultrafiolett stråling eller metallsprut blir minst mulig. Bruk helst bomullskjeleddress, sveisehansker og vernesko. Forsikre deg om at sveisesprut ikke kommer inn i hansker eller sko.

Et lærforikle hindrer brenning og gnistskader på kjeleddressen.

### d. Ansiktsbeskyttelse

#### Fig. 2

Bruk en god sveisemaske med mørkt sveiseglass og beskyttelsesglass. Sørg for at begge glassene er riktig satt inn (godt festet slik at dagslys ikke kommer inn).

Sveisemasken beskytter brukeren mot stråling, varme og sveisesprut fra sveiseprosessen. Den reduserer også inhalering av sveisegass.

De usynlige ultrafiolette strålene forårsaker såkalt sveiseblink. Dette skjer etter bare noen sekunders kinking på sveisebuen.

Unngå effektene av denne strålingen og av høy temperatur på ansiktet og andre utsatte kroppsdeler som hals og armer.

Beskytt deg mot lysbuenes farlige effekter, personer som ikke tar del i arbeidet må holde seg

minst 15 m borte fra lysbuen.

Også personer som befinner seg i nærheten av lysbuen, eller medhjelpere, må gjøres oppmerksom på farene og bruke nødvendig beskyttelse. Sett opp beskyttelsesvegger om nødvendig.

### e. Arbeidsmiljøet

- Sørg for god ventilasjon. Det frigjøres helseskadelige gasser under sveising.
- Fjern alle brennbare objekter fra arbeidsområdet. Sveising fører til gnister og oppvarming av metall.
- Sørg for at det er tilgjengelig vann til kjøling i nærheten av arbeidsområdet. Ikke forlat nylig sveisede, varme arbeidsstykker ubevoktet. Avkjøl arbeidsstykket før du forlater arbeidsområdet.

### Beskyttelse mot stråler og forbrenninger

- På arbeidsplassen viser skiltet „Forsiktig! Ikke se inn i flammen!“ til faren. Arbeidsplassene skal skjermes så godt som mulig, slik at personer som befinner seg i nærheten er beskyttet. Ufaglærte skal holdes vekke fra sveisearbeider.
- I umiddelbar nærhet av stedfaste arbeidsplasser skal veggene ikke være lyse og blanke. Vinduer må minst til hodehøyde være sikret mot gjennomtrenging og reflektering av ståler, for eksempel med egnet maling.

### Ta i bruk

#### Fig. 3

Tips: Før du sveiser på vanskelige arbeidsstykker, bør du teste på et teststykke.

- Sørg for at arbeidsstykket er rent: fjern rust, fett og malingsrester.
- Still inn riktig strømstyrke med bryteren foran på sveiseapparatet. Valg av strømstyrke avhenger av arbeidsstykket og hvilken type elektrode som brukes.
- Sett elektroden med enden uten belegg inn i elektrodeholderen, og fest jordingsklemmen til arbeidsstykket.
- Slå på sveiseapparatet med strømbryteren.
- Hold sveisemasken foran ansiktet og beveg enden på elektroden over arbeidsstykket på samme måte som når du tenner en fyrstikk. Dette er den beste måten å tenne sveisebuen på. Ikke slå mot arbeidsstykket med elektroden. Det kan skade elektroden og

hindre tenning av sveisebuen.

- Når sveisebuen er tent, skal du straks forsøke å holde en jevn avstand mellom elektroden og arbeidsstykket. Avstanden skal være den samme som diameteren på elektroden. Hold denne avstanden så godt som mulig under sveisingen.
- Beveg elektroden med en jevn trekkende bevegelse over arbeidsstykket.
- Hold vinkelen mellom elektroden og arbeidsstykket på 60°-70° i bevegelsesretningen.
- Når sveiseskjøten er laget, bryter du sveisebuen ved å ta elektroden bort fra arbeidsstykket.
- Slå av sveiseapparatet.



*N.B. Hvis du lar sveiseapparatet være på, er det fare for at elektroden kan skape kontakt (gjennom arbeidsbenken) med jordledningen og starte sveising av seg selv.*

- Fjern slag fra sveiseskjøten med en rusthammer.



*Vær obs på sprut av varme metallpartikler. Bruk alltid beskyttelsesbriller.*

- Sveis aldri over slaggrester: slagget danner et isolerende og forurenset lag som gir en svakere sveis (såkalt slagginnslag).
- Børst sveisen ren med en stålborste.



*N.B. Arbeidsstykket er fortsatt svært varmt. Ikke forlat det varme arbeidsstykket ubevoktet.*

## Indikatorlampe for temperatur

### Fig. 1

Når sveiseapparatet blir for varmt, slår den innbygde termostaten det av (indikatorlampen lyser). Den innbygde ventilatoren avkjøler apparatet. Etter nedkjøling tennes lampen igjen. Gi apparatet tilstrekkelig tid til nedkjøling. Under intens sveising er det sannsynlig at termobryteren vil slå ut igjen etter noen minutter.

## 5. Service og vedlikehold



*Sørg for at maskinen er spenningsløs når det skal utføres vedlikeholdsarbeid på de mekaniske delene.*

Maskinene er konstruert slik at de kan fungere uten problemer med et minimum av vedlikehold. Hvis maskinen rengjøres regelmessig og behandles på riktig måte, bidrar dette til å gi maskinen en lang levetid.

### Feil

Dersom maskinen ikke fungerer som den skal, kan du se gjennom oversikten over mulige årsaker og løsninger nedenfor:

### Sveiseapparatet virker ikke

- Jordingsklemmen har ikke god kontakt med arbeidsstykket
- Elektroden er ikke riktig satt inn i holderen
- Termostatbryteren har slått av
- Sikringen har gått (i sikringsboksen), eller den termiske beskyttelsen ble brent.
- Det er brudd på kabelen
- Bryteren er ødelagt. Kontakt din forhandler

### Elektroden fortsetter å "klebe" til arbeidstykket

- Bruk riktig type elektrode (universell)
- Strømstyrken er for lav. Drei bryter 3 med urviseren.

### Elektroden blir oransjerød

- Strømstyrken er for høy for denne typen elektrode. Drei bryter 3 mot urviseren

### Elektroden spruter veldig mye og lager mye lyd under sveising

- Strømstyrken er for høy. Drei bryter 3 mot urviseren

### Apparatet er for varmt; indikatorlampen er på

- Ventilasjonsspaltene er blokkert. Rengjør dem med en tørr klut. Vent noen minutter til lampen slukker



*La alltid reparasjoner utføres av en anerkjent installatør eller service-bedrift!*

### Vedlikehold

- Sørg for at ventilasjonsspaltene ikke er støvete eller skitne. Bruk en myk klut fuktet med såpevann for å fjerne smuss som har satt seg fast. Ikke bruk løsemidler som bensin, alkohol, ammoniakk eller lignende.
- Sørg for at elektrodeholderen og jordingsklemmen er fri for korrosjon, slik at de

opnår god elektrisk kontakt.

- Undersøk regelmessig at ledningene til sveiseapparatet og arbeidsstykket er godt tilkoblet.

### Smøring

Maskinen trenger ikke ekstra smøring.

### Feil

Hvis det oppstår feil som følge av for eksempel utslitte deler, skal du kontakte serviceadressen på garantikortet. Bakerst i denne bruksanvisningen finner du en splittegning som viser deler som kan bestilles.

### Miljø

For å unngå transportskader leveres maskinen i solid emballasje. Emballasjen er i den grad dette er mulig fremstilt av resirkulerbart materiale. Benytt derfor anledningen til å resirkulere emballasjen.



*Defekte og/eller kasserte elektriske eller elektroniske apparater må avhendes ved egne returpunkter.*

### Garanti

Garantibetingelsene er å finne på det vedlagte garantikortet.

## SVEIJEAPPARAT

*Numrene i den nedenstående tekst henviser til illustrationerne på side 2 + 109*



*For din egen og andres sikkerhed anbefaler vi at du læser denne brugsanvisning nøje igennem, før maskinen tages i brug. Opbevar denne brugsanvisning og den øvrige dokumentation ved maskinen.*

### Indledning

Svejsesmeltningsprosessen anvendes til at sammensmelte arbeidsmaterialer under påvirkning af den tilførte varme. Ved elektrisk buesvejsning anvendes også svejsesmaterialer (elektroder). Svejsningen skabes efter størkning. Den nødvendige varme opnås ved at opretholde en elektrisk bue mellem elektroden og arbeidsstykket. Svejsningsprosessen kræver meget strøm (40-100 A) med en forholdsvis lav spænding (10–48 V). En transformer mellem svejsetilbehøret sikre at hovedstrømmen mindskes (230 V).

Apparatet er ikke egnet til industriel anvendelse!

### Indhold

1. Maskindata
2. Sikkerhedsforskrifter
3. Tilpasning af tilbehør
4. Betjening
5. Service & vedligeholdelse

## 1. Maskindata

### Tekniske data

Spænding	230 V ~
Frekvens	50 Hz
Svejskapasitet	40-100 A
Antændelses-spænding	≤ 48 V
Elektrodetykkelse	1,6 - 2,5 mm
Vægt	13,2 kg
Dimensioner	290x195x170 mm
Termobeskyttelse	100°C ± 5°C
Elektrisk kable	H07RN-F, 3G x 1,5 mm <sup>2</sup>
Svejskable	H01N2-D1 x 10 mm <sup>2</sup>

### Pakkeinnhold

- 1 Svejsetilbehør
- 1 Svejsemaske
- 1 Stålbørste/rusthammer



- 1 Brugervejledning
- 1 Sikkerhedsinstruktioner
- 1 Garantibevis

Kontroller maskinen, løsdele og tilbehør for transportskade.

## Komponenter

### Fig. 1

1. Indikationslampe for temperatur
2. Afbryder
3. Drejeknap til at indstille spændingsintensitet.
4. Svejsekable med elektrodeholder
5. Jordforbindelse med tilbehør
6. Gummilåg
7. Håndtag
8. Ventilationshuller
9. Stålbørste/rusthammer
10. Svejsemaske
11. Elektroder



Hold omkringstående på afstand.



Sikre imod regn



Brug beskyttelsesbriller og høreværn.



Bær beskyttelseshandsker.



Anvend altid en svejsemaske under svejsning



Bær beskyttende tøj

## Tablet 1: Indstilling samt anvendelse

Ø Electrode (mm)	Spændingsintensitet (A)	Anvendelige for, bl.a.:
1.6	45-55	Materialetykkelse ≤ 2 mm Reparation af knallert/cykel
2	50-75	Materialetykkelse 2-3 mm Reparation af vægstand
2.5	70-100	Materialetykkelse 4-5 mm Havehegn, udendørslegetøj
3.2	95-150	Materialetykkelse 6-7 mm Carport, garage
4	130-220	Materialetykkelse 8-12 mm Bygningskonstruktion (tung)
5	190-250	Materialetykkelse ≥ 12 mm Bygningskonstruktion (meget tung)

## EN60974-6

Standard for svejseudstyr for manuelt buesvejsning i metal med begrænset anvendelse.



Elektrodeholder



Jordforbindelse



Aftagende spænding



Enkelt sidet transformer

## 2. Sikkerhedsforskrifter

### Beskrivelse af symboler



Forsigtig! Læs brugervejledningen



Betegnelse for risiko for personskader, dødsfald eller beskadigelse af værktøjet i tilfælde af at du er uopmærksom på instruktioner i denne manual.



Indikerer farer for elektrisk stød.



Tag straks stikket ud af stikkontakten, hvis ledningen beskadiges og i forbindelse med vedligeholdelse.



Elektrisk ledningsnet, antal faser (f.eks. 1 eller 3), symbol for vekselstrøm og mærkefrekvensen (f.eks. 50 Hz eller 60 Hz)



Diameter på elektrode



Smeltesikring 16A



maksimal effektiv strømforsyning



Sekundær spændingsintensitet i Ampere



Maksimalt tilladelig svejsetid i periodisk tilstand

**—** *Maksimalt tilladelig svejsetid i kontinuerlig tilstand*

**IP21S** *Beskyttelsesglas. Plomberet for genstande på op til 12 mm og mod perpendikulært dryppende vand. Standsning med vandkontrol.*

**H** *Isoleringsklasse*

**U<sup>0</sup>** *Åben spænding i Volt*

**U<sup>1</sup>** *Hovedspænding i Volt*

**U<sup>2</sup>** *Værdier for konventionel arbejdsspænding*

*EMC-klassificering i henhold til IEC 60974-10*

### **Generelle sikkerhedsinstruktioner for svejseudstyr**

- Brugeren af maskinen skal have været vejledt i brug samt betjening af maskinen.
- Sørg for at have et godt belyst og ryddet arbejdsmiljø.
- Fjern altid stikket fra stikkontakten før du udfører vedligeholdelsesarbejde med maskinen.
- Fjern stikket fra stikkontakten når du efterlader maskinen.
- Anvend ikke maskinen før du har samlet og installeret maskinen totalt, som beskrevet i brugervejledningen.

### **Særlige sikkerhedsinstruktioner for svejseudstyr**

- Risiko for elektrisk stød: Elektrisk stød fra svejseelektrode kan dræbe. Svejs ikke i regn eller sne. Brug tørre isolerende handsker. Rør ikke ved elektroden med bare hænder. Brug ikke våde eller beskadigede handsker. Beskyt dig selv mod elektrisk stød ved at holde dig selv isoleret fra emnet. Åbn ikke udstyrets beskyttelsesgitter.
- Risiko forårsaget af røg fra svejsning: Indånding af røg fra svejsning kan være skadeligt for dit helbred. Hold hovedet ude af røgen. Anvend udstyret i åbent areal. Anvend ventilator for at fjerne røgen.
- Risiko forårsaget af gnister fra svejsning: Gnister fra svejsning kan forårsage eksplosion eller brand. Hold brændbare materialer væk fra svejsning. Svejs ikke i nærheden af

brændbare materialer. Gnister fra svejsning kan forårsage brand. Hav en ildslukker i nærheden, og en person klar til at bruge den. Svejs ikke på tønder eller andre lukkede beholdere.

- Risiko forårsaget af buen: Stråler fra buen kan forbrænde øjnene og beskadige huden. Brug hat og sikkerhedsbriller. Anvend ørebeskyttelse og lukket flipkrave. Anvend svejsehjelm med det rigtige afskærmningsfilter. Brug beskyttelse på hele kroppen.
- Risiko forårsaget af elektromagnetiske felter: Svejsestrøm producerer et elektromagnetisk felt. Må ikke anvendes sammen med medicinske implantater. Rul aldrig svejsekabler rundt om kroppen. Hold svejsekablerne samlet.
- Svejsning forårsager gnister og varmt metal. Husk at dette udgør en brandfare, og fjern alt brændbare genstande fra arbejdsmiljøet.
- Sørg for at have en god ventilation i arbejdsmiljøet. Gasser udløses under svejsning som kan være til fare for dit helbred.
- Svejs ikke beholdere eller rør som indeholder eller har indeholdt brændbare materialer eller gasarter (fare for brand eller eksplosion).
- Svejs ikke i materialer som er blevet rengjort med meget brændbare materialer, eller som har malet overflader (kan udløse meget farlige gasarter).
- Arbejd ikke i et fugtigt eller vådt arbejdsmiljø, og svejs ikke i regnvejr.
- Beskyt altid dine øjne med den leverede svejsmaske.
- Anvend handsker og beskyttende arbejdstøj som er tørt og ikke gennemvædet af olie eller snavs.
- Slagger som skydes af er nogen gange glødende varmt og kan forårsage alvorlige øjenskader ved fjernelse. Bær altid beskyttelsesbriller og handsker.
- Ultraviolet stråling kan forbrænde din hud under svejsning. Anvend derfor altid passende arbejdstøj.
- Dit svejseudstyr er beskyttet mod overbelastning. Svejseenheden slukkes derfor automatisk hvis det overbelastes. Svejseenheden tændes automatisk igen efter det har kølet nok af.
- Under svejsning og afkøling kan dit arbejdsstykke deformere pga. stress. Vær altid opmærksom på dette.
- Man må kun anvende de medfølgende

svejskabler (Ø 10 mm<sup>2</sup> gummisvejskabel).

- I brand- og eksplosionsfarlige rum gælder særlige forskrifter.
- Svejsforbindelser, der indebærer store risici og skal opfylde bestemte sikkerhedsforanstaltninger, må kun udføres af uddannede og trænedes svejsere. Som eksempel: Trykbeholder, løbeskiner, tilkoblinger, osv.
- Advarsel: Tilslut jordklemmen så tæt som muligt på svejsestedet, så svejsestrømmen har den korteste vej fra elektroden til jordklemmen. Forbind aldrig jordklemmen med svejseapparathuset! Tilslut aldrig jordklemmen til jordafledte dele, der ligger langt fra arbejdsområdet, f.eks. et vandrør i den anden ende af rummet. I modsat fald kan det medføre, at rummets beskyttelsesledersystem bliver beskadiget under svejsning.
- Sikringerne til tilkoblingerne til stikkontakten skal stemme overens med forskrifterne (VDE 0100). Isolerede jordkontakter må kun sikres med max. 16A (typer og tekniske data: RT14-20, Ø 10 x 38, AC 400 V 16A. IEC 60269. Forsinket udløsning. Fabrikant: Chint) (sikringer eller ledningsbeskyttelseskontakt). Højere sikringer kan medføre kabelbrand eller brandskader på bygninger.

## Elektrisk sikkerhed



*Sluk for maskinen øjeblikkeligt hvis:*

- *Der findes en defekt på hovedstik, ledning eller der er beskadigelser på kablet.*
- *Defekt afbryder.*
- *Du ser røg eller lugter brændt isoleringsmateriale.*



*Advarsel! Afhængigt af hovedstrømforsynings tilstand ved tilslutning, kan svejsestrømkilden forårsage forstyrrelser ved strømforsyningen til andre elektriske brugere. Hvis der skulle være nogen tvivl angående dette spørgsmål, bør du kontakte dit elselskab.*

- Sørg for at svejseudstyret og den elektriske kabelforbindelse er sikkert installeret. Enhver fare for elektrisk chok kan være livsfarlig.
- Sikre altid tilslutninger, både på elektrodeholderen og jordforbindelsen.
- Tillad ikke elektriske kabler at blive beskadiget

ved at trække i dem. Frakobl kabler før du flytter svejseenheden.

- Undgå kontakt med elektrisk ledende dele af svejseenheden, elektrodeholderen og jordforbindelsen.
- Check altid at den hovedspænding du anvender stemmer overens med værdien på typepladen på maskinen.
- Ved udskiftning af kabler og stik: Smid øjeblikkeligt gamle kabler og stik ud, når de er blevet udskiftet med nye. Indsætning af et løst kabelstik i stikkontakten er farligt.
- Ved alle svejseenheder som arbejder på 230 Volt anvend mindst 16 Ampere sikringer
- Når der anvendes forlængerledninger: Anvend kun en godkendt forlængerledning som er anvendelig med maskinstrømmen. Ledningen skal have et tværsnit på mindst 1,5 mm<sup>2</sup>. Hvis forlængerledningen er på en rulle, skal denne ruller led ud.
- Lad arbejde på netspændingssiden, f.eks. på kabler, stik, stikdåser, osv., udføres af elektrikere.

## 3. Tilpasning af tilbehør



*Sikre at hovedstikket er fjernet fra stikkontakten under montering af tilbehør.*

### Installation af maskinen

- Installér svejseenheden på et tørt og ryddeligt sted (fri for metalstøv, støv og maling).
- Placér svejseenheden på en fast og flad overflade, og mindst 20 cm fra væggen.
- Beskyt svejseenheden mod regn og stærk sollys.

### Svejsmasken

#### Fig. 2

- Skub håndtaget på svejsmasken indtil det låses.
- Placér det lyse glas (beskyttelsesglas) foran det mørke svejseglass. Skub begge glas foran åbningen.
- Sørg for at glassene er placeret sådan at intet (skadeligt) lys nu kan trænge igennem åbningen.
- Udskift det lyse beskyttelsesglas når synet af arbejdsstykket bliver utilstrækkeligt under svejsning. Udskiftning af det mørke beskyttelsesglas er betydeligt dyrere end udskiftning af det lyse beskyttelsesglas.

## Montering af nye elektroder

Elektroderne består af en metalkerne omgivet af en belægning.

På den ene ende af elektroden er kernen ikke omgivet af en belægning.

- Tryk håndtaget på elektrodeholderen mod fjederen.
- Placér em elektrode med en ubelagt ende ( $\pm 2$  cm) i elektrodeholderen. Sørg for at den ubelagte del har god kontakt med metaldelen af elektrodeholderen (elektrode er ikke skubbet for langt ind i elektrodeholderen).
- Frigør håndtaget på grebet. Elektroden er nu fastsat.



*Bemærk! Lad ikke elektroden brænde ned til en længde på mindre end  $\pm 5$  cm pga. overophedning og/eller misdannelser på elektrodeholderen. Den udrændte elektrode vil herefter være svær at fjerne.*

Fjernelse af brugte elektroder

Tryk grebet på elektrodeholderen mod fjederen, sådan at den udrændte elektrode kan falde ud af holderen.



*Bemærk! Fjern ikke elektroden fra holderen med hånden. Elektroden er meget varm!*



*Bemærk! Hold øje med hvor den gamle elektrode falder, sådan at brandfare og muligheden for skader minimeres.*

## 4. Betjening

**Før brug:**

- Generel information omkring elektrisk lysbuesvejsning
- Elektroden
- Beskyttende arbejdstøj
- Ansigtsbeskyttelse
- Arbejds miljø

### a. Generel information omkring elektrisk lysbuesvejsning

Temperaturen på buens mængde er ca. 7000° Celsius, når elektroden og arbejdsstykket smeltes sammen. Så lang tid buen bibeholdes, vil elektroden smelte og give de nødvendige svejsematerialer sådan et delene kan

sammenføjes. Afstanden mellem elektroden og arbejdsstykket skal være så kort så muligt (ca. 1,5 - 4 mm), afhængig af diameter og elektrodetype. Den nødvendige spænding for svejsning ydes af svejseenheden. Den krævede mængde strøm for svejseenheden, afhænger af arbejdet der skal udføres.

Sørg for at elektroderne er helt tørre, da fugtige elektroder kan forårsage problemer. Hvis elektroderne klæber til arbejdsstykket under svejsning, er din spændingsintensitet for lav.

### b. Elektroden

- Elektroderne består af en metalkerne omgivet af en belægning. Belægningen har den vigtigste hensigt at beskytte svejsepølen og overførelsesdråberne mod oxygen og nitrogen i den omgivende luft. Elektroderne smelter under svejsning. En del af belægningen fordamper, sådan at et beskyttende skjold bestående af gas opstår. En del af belægningen flyder i svejsepølen (det er lettere end stål), og beskytter også den afkølede svejsning. Efter afkøling bliver denne belægning en fast, men let flytbar slagge på de svejsede dele.
- Håndtér elektroderne med forsigtighed, sådan at belægningen ikke brækker. Sørg for at elektroderne er helt tørre, hvilke positioner svejsning kan udføre med de aktuelle elektroder (over hovedet, nedad, osv. Husk på smeltehastigheden på elektroderne). Separate elektroder kan købes i forreterfor bør du opbevare dem et fugtsikkert sted.
- Det er meget vigtigt at anvende de rigtige elektroder for at sikre en god og stærk svejsning. En universal elektrode vil i mange tilfælde være anvendelig til dit arbejde. Elektrodepakningen beskriver i hninger, beregnet på svejsning af nogle typer rustfrit stål og støbejern. Spørg din forhandler angående køb af de rigtige elektroder.

### c. Beskyttende arbejdstøj

Bær komplet beklædning, sådan at muligheden for at din hud bliver forbrændt af ultraviolette stråler eller stænk af metal minimeres. Foretrukket er bomuldsoveralls, svejsehandsker og sikkerhedssko. Sørg for at svejsestænk ikke kan ende nede i handsker eller sko. Et (læder) svejseforklæde stopper brændende materiel og gnister i at beskadige overalls.

### d. Ansigtsbeskyttelse

**Fig. 2**

Anvend en god svejsemaske med (mørkt) svejseglas samt beskyttelsesglas. Sørg for at begge glas er korrekt monteret (sikkert fastgjort og tillader ikke sollys at trænge igennem). Svejsemasken beskytter svejseren mod stråling, varme og svejestænk der frigives under svejseprocessen. Denne reducerer også indåndingen af svejsedampe. De usynlige ultraviolette stråler kan forårsage de så kaldte "svejserøjne". Dette opstår allerede efter at have set på elektrodebuen et par sekunder. Undgå effekterne af denne stråling og de høje temperaturer mod ansigtet samt mod andre kropdele såsom nakken og armene. Beskyt dig mod den farlige lysbuen og sørg for at personer, der ikke tager del i arbejdet, er mindst 15 m væk fra lysbuen. Personer og hjælpere, der befinder sig i nærheden af lysbuen, skal gøres opmærksomme på farerne og være udstyret med de påkrævede beskyttelsesmidler. Opsæt om nødvendigt beskyttelsesværn.

**e. Arbejdsmiljø**

- Sørg for at have et godt ventileret arbejdsmiljø. Gasser udløses under svejsning som kan være til fare for dit helbred.
- Fjern alle brandbare genstande fra arbejdsmiljøet. Svejsning forårsager gnister og varmt metal.
- Sørg for at vand til afkøling er tilgængelig i nærheden af arbejdsstedet. Efterlad ikke nysvejsede (varmt) arbejdsstykker uden opsyn på arbejdsstedet. Afkøl arbejdsstykket før det efterlades på arbejdsstedet.

**Beskyttelse mod stråler og forbrændinger**

- På arbejdsstedet med skiltningen "Forsigtig! Se ikke ind i flammerne!" henvises til farer for øjnene. Arbejdspladserne skal indhegnes således, at de omkringstående personer er beskyttet. Uvedkommende skal holdes væk fra svejsearbejdet.
- I den umiddelbare omkreds af arbejdsstedet må væggene ikke være i lyse og skinnende farver. Vinduer skal op til hovedhøjde være sikret mod gennemtrængning eller tilbagekastning af stråler, f.eks. ved passende overtræk.

**Anvendelse****Fig. 3**

Tip: Før du starter med at svejse komplicerede

arbejdsstykker, er det bedste først at afprøve svejseapparatet på et prøvestykke.

- Sørg for at have et rent arbejdsstykke: Fjern alt rust, fedt og malingsrester.
- Indstil til den rette spændingsintensitet ved at åbne knappen foran på svejseapparatet. Valget af spændingsintensitet afhænger af arbejdsstykket, og den type elektrode som anvendes.
- Placér den del af elektroden uden belægning i elektrodeholderen, og tilslut jordforbindelsen til arbejdsstykket.
- Tænd for svejseapparatet ved at tænde for stikkontakt.
- Hold svejsemasken foran dit ansigt og bevæg enden af elektroden over arbejdsstykket, som hvis du ville tænde en tændstikker. På denne måde starter du svejsebuen. Stryk ikke arbejdsstykket med elektroden. Dette vil beskadige elektroden og hindre frembringelsen af svejsebuen.
- Forsøg øjeblikkeligt efter at have frembragt svejsebuen, at holde den samme afstand mellem elektrodens spids og arbejdsstykket. Hold denne afstand den sammen som elektrodens diameter. Hold denne afstand så konstant som muligt under svejsning.
- Bevæg elektroden i en gradvis trækkebevægelse over arbejdsstykket.
- Hold vinklen mellem elektroden og arbejdsstykket mellem 60° og 70° i retningen af bevægelsen.
- Når den svejsede sammensmeltning er foretaget, stoppes svejsebuen ved at fjerne elektroden fra arbejdsstykket.
- Sluk for svejseapparatet.



*Bemærk. Hvis du efterlader svejseapparatet tændt, er der stor mulighed for at elektroden vil få kontakt (gennem arbejdsbænken) med jordkablet og uvilkarligt begynde at svejse.*

- Fjern slaggen fra svejsepunktet med en rusthammer.



*Pas på flyvende varme metalpartikler. Bær altid beskyttelsesbriller.*

- Svejs aldrig over slaggerrester: Slaggeren former et isolerende og forurenede lag, og som et resultat svækkes svejsningen (så kaldt slaggeindslag).
- Børst svejsningen af med en stålborste.



*Bemærk. Arbejdsstykket er stadig ved meget høj temperatur. Efterlad ikke det varme arbejdsstykke uden opsyn.*

### Indikationslampe for temperatur

#### Fig. 1

Når svejseapparatets temperatur bliver for høj, vil den indbyggede termostat slukke (indikatorlys tændes). Den indbyggede ventilator afkøler maskinen. Efter afkøling slukkes lamperne igen. Lad helst maskinen køle af i tilstrækkelig lang tid; ved intensiv svejsning er der stor mulighed for, at den termiske slukkemekanisme starter igen efter nogle få minutter.

## 5. Service & Vedligeholdelse



*Sørg for at maskinen ikke står under strøm, når der udføres vedligeholdelsesarbejder på mekanikken.*

Maskinerne er udviklet til at fungere længe uden problemer med et minimum af vedligeholdelse. Ved at rengøre maskinen regelmæssigt og behandle den korrekt, bidrager De til en længere levetid for maskinen.

### Fejloversigt

For det tilfælde, at maskinen ikke fungerer korrekt, er herunder angivet en række mulige årsager med tilhørende løsningsforslag:

#### Svejseapparatet fungerer ikke

- Jordforbindelse har ikke god kontakt med arbejdsstykket
- Elektrode er ikke korrekt placeret i dens holder
- Termiskslukning slukket
- Sammensmeltning defekt (i meter boks), eller den termiske beskyttelse blev brændt.
- Kablet er ødelagt
- kontakten er defekt/kontakt din forhandler

#### Elektrode fortsætter med at 'klæbe' til arbejdsstykket

- Anvend den rette type elektrode (universal)
- Spændingsintensitet for lav/drej knap 3 med uret.

#### Elektrode er orangerød

- Anvend den rette type elektrode (universal)
- Spændingsintensitet for lav/drej knap 3 med uret.

#### Elektrode er orangerød

- Spændingsintensitet for høj for denne type elektrode/drej knap 3 mod uret.

#### Elektrode sprøjter meget, og laver en masse støj under svejsning

- Spændingsintensitet for høj/drej knap 3 mod uret.

#### Maskinen er for varm; indikatorlampe er tændt

- Ventilationsåbning er blokeret/rengør dem med en tør klud; vent nogle få minutter indtil lampen slukkes.



*Reparationer må udelukkende udføres af en autoriseret installatør eller et autoriseret serviceværksted.*

### Vedligeholdelse

- Sørg for at ventilationsåbningen er fri for støv og snavs. Anvend en blød fugtig klud med sæbevand for at rengøre for genstridigt snavs. Anvend aldrig nogen former for opløsningsmidler såsom, petroleum, alkohol, ammoniak osv.
- Sørg for at elektrodeholderen og jordforbindelse forbliver rustfri, sådan at de fortsat kan have god elektrisk kontakt.
- Regelmæssig check om svejse- og arbejdskabler er sikkert tilsluttet i deres forbindelser.

### Smøring

Maskinen behøver ingen ekstra smøring.

### Fejl

Skulle en fejl opstå, f.eks. pga. slidtage af en enhed, kontakt venligst serviceadressen på garantibeviset. På bagsiden af denne manual finder du en tegning med alle dele, der kan bestilles.

### Miljø

For at undgå transportbeskadigelse leveres maskinen i en solid emballage. Emballagen er så vidt muligt lavet af genbrugsmateriale. Genbrug derfor emballagen.



*Defekte og/eller kasserede elektriske eller elektroniske maskiner skal afleveres på en genbrugsplads.*

### Garanti

Læs det separat vedlagte garantikort for garantibetingelserne.

# HEGESZTŐ KÉSZÜLÉK

**Aszövegben levo számok a 2+109 oldalakon levo ábrákra vonatkoznak.**



Asaját és mások biztonsága érdekében a furész használata előtt javasoljuk, hogy olvassa el figyelmesen az alábbi használati útmutatót. Ahasználati útmutatót és a furészhez tartozó dokumentációt a jövőbeni hivatkozás érdekében tartsa meg.

## Bevezetés

A fúziós hegesztési eljárást használják a munkadarab anyagának a megolvasztására a biztosított hő hatásával. Elektromos ívhegesztés használat esetén hegesztő anyagot (elektrodákat) is alkalmaznak. A varrat a megszilárdulás után keletkezik.

A szükséges hő az elektróda és a munkadarab között fennálló elektromos ív biztosítja. A hegesztési eljárás nagy áramerősséget igényel (40-100 A) viszonylag alacsony feszültséggel (10-48 V). A hegesztő készülékben levő transzformátor biztosítja a hálózati feszültség (230 V) lecsökkentését.

A hegesztő készülék ipari alkalmazásokra nem használható!

## Tartalom

1. Gépinformáció
2. Biztonsági előírások
3. Kiegészítő tartozékok
4. Mikódtetés
5. Szerviz és karbantartás

## 1. Gép információ

### Miszaki adatok

Feszültség	230 V ~
Frekvencia	50 Hz
Hegesztőáram	40-100 A
Gyújtási feszültség	≤ 48 V
Elektródavastagság	1,6 - 2,5 mm
Súly	13.2 kg
Méret	290x195x170 mm
Hővédelem	100°C ± 5°C
Tápkábelben	H07RN-F, 3G x 1,5 mm <sup>2</sup>
Hegesztő kábel	H01N2-D1 x 10 mm <sup>2</sup>

## A készlet tartalma

- 1 Hegesztő készülék
- 1 Hegesztő álarc
- 1 Drótkéfe/salakoló kalapács
- 1 Használati utasítás
- 1 Biztonsági előírások
- 1 Jótállási jegy

Ellenőrizze, hogy a gép illetve a kiegészítő elemek és a tartozékok nem sérültek-e a szállítás során.

## Termékinformáció

### A. Ábra

1. Hőmérséklet jelzőlámpa
2. Ki- és bekapcsoló gomb
3. Forgógomb az áramerősség beállításához
4. Hegesztő kábel elektródataratóval
5. Földkábel rögzített tartozékkal
6. Gumisapka
7. Fogantyú
8. Szellőzőnyílások
9. Drótkéfe/salakoló kalapács
10. Hegesztő álarc
11. Elektródák

## Táblázat: beállítás és használata

Ø Elektróda (mm)	Áram intenzitása (A)	Többek közt a következőkre alkalmas:
1.6	45-55	Anyagvastagság ≤ 2 mm Moped/kerékpár javítása
2	50-75	Anyagvastagság 2-3 mm Fali tartó javítása
2.5	70-100	Anyagvastagság 4-5 mm Kerti kerítés, kerti játékok
3.2	95-150	Anyagvastagság 6-7 mm Gépkocsibeálló, garázs
4	130-220	Anyagvastagság 8-12 mm Építmény (nehéz)
5	190-250	Anyagvastagság ≥ 12 mm Építmény (nagyon nehéz)

## 2. Biztonsági előírások

### A jelölések magyarázatai



Figyelem! Olvassa el a használati utasítást



A jelen használati utasításban leírtak be nem tartása esetén sérülés, életveszély, és gépsérülés következhet be.



Áramütés veszélye.



A csatlakozódugót húzza ki a konnektorból.



Az illetéktelen személyeket tartsa távol a munkahelytől.



Megvéd ellen eső



Használjon védőszemüveget és hallásvédő eszközt.



Használjon védőkesztyűt.



A hegesztés során mindig viseljen hegesztőálarcot



Viseljen védőruházatot

**EN60974-6**

Korlátozott teljesítményű kézi fém egészítésre szolgáló hegesztő készülékek szabványa.



Elektródatartó



Földelő csatlakozó



Leeső feszültség



Egyfázisú transzformátor



Tápláló áramkör, fázisok száma (például 1 vagy 3), a váltakozó áram és a kijelölt frekvencia jele (például 50 Hz vagy 60 Hz)



Elektróda átmérő



Biztosíték 16A

**I<sub>eff</sub>**

maximum effektív tápáram

**I<sub>1</sub>**

Szekunder áramerősség Amper-ben



Előírt maximum hegesztési idő szakaszos üzemmódban



Előírt maximum hegesztési idő folyamatos üzemmódban

**IP21S** S Védelmi osztály. Legfeljebb 12 mm-es tárgyakkal és merőlegesen hulló csepegő vízzel szemben tömített. Dugulás vízszabályzóval.

**H** Szigetelési osztály

**U<sub>0</sub>** Nyitott feszültség Volt-ban

**U<sub>1</sub>** Hálózati feszültség Volt-ban

**U<sub>2</sub>** Hagyományos terhelési feszültségi értékek

EMC osztályozás IEC 60974-10 szerint

### Hegesztő készülékekre vonatkozó általános biztonsági utasítások

- A gép felhasználójának tájékozódnia kell a gép használatáról és működéséről.
- Jól megvilágított és rendes munkakörnyezetet kell biztosítani.
- Mindig távolítsa el a dugaszt a dugaszolóaljzatból, mielőtt karbantartást végez a gépen.
- Távolítsa el a dugaszt a dugaszolóaljzatból, ha otthagyja a gépet.
- Ne használja a gépet, mielőtt teljesen össze nem szerelte és üzembe nem helyezte a jelen használati utasításban leírtak szerint.

### Hegesztő készülékre vonatkozó különleges biztonsági utasítások

- Áramütés kockázata: A hegesztő elektróda áramütése halálos lehet. Ne hegeszzen esőben vagy hóban. Viseljen száraz szigetelő kesztyűt. Ne érintse meg az elektródát pusztá kézzel. Ne viseljen nedves vagy sérült kesztyűt. Védje magát az áramütéstől a munkaeszköztől való szigeteléssel. Ne nyissa ki a berendezés burkolatát.
- Hegesztési gázok kockázata: A hegesztési gázok belégzése káros lehet az egészségére. Tartsa a fejét távol a gázoktól. Nyílt helyen használja az eszközt. Használjon ventilátort a gázok eltávolítására.
- Hegesztési szikrák kockázata: A hegesztési szikrák robbanást vagy tüzet okozhatnak. A



tűzveszélyes tárgyakat tartsa távol a hegesztéstől. Ne hegeszzen tűzveszélyes tárgyak mellett. A hegesztési szikrák tüzet okozhatnak. Tartsd egy tűzoltó-készüléket a közelben, és alkalmazd a használatára felkészült őrszemélyzetet. Ne hegeszzen hordókon vagy egyéb zárt tárolókon.

- A hegesztőív kockázata: A hegesztőív sugárzása megégetheti szemét vagy bőrsérülést okozhat. Viseljén fejdőt és biztonsági szemüveget. Használjon fűlvédőt és viseljén inget. Viseljén hegesztősisakot megfelelő sötétítéssel. Viseljén teljes testi védelmet.
- Elektromágneses mezők kockázata: A hegesztő elektromágneses mezőt generál. Ne használja, ha van orvosi implantátuma. Soha ne tekerje a hegesztőkábeleket a teste köré. Telepítse a kábeleket együtt.
- A hegesztés szikrákat és forró fémet okoz. Emlékezzon rá, hogy ez tűzveszélyt jelent, ezért távolítsd el minden gyúlékony tárgyat a munkakörnyezetből.
- Gondoskodjon jó szellőzésről a munkakörnyezetben. Hegesztés közben gázok szabadulnak fel, amelyek ártalmasak az egészségre.
- Ne hegeszzen olyan tartályokat vagy csöveket, amelyek gyúlékony folyadékokat vagy gázokat tartalmaznak vagy tartalmaztak (tűz- vagy robbanásveszély).
- Ne hegeszzen olyan anyagokat, amelyeket erősen gyúlékony folyadékkal tisztítottak, vagy amelyeknek festett a felületük (veszélyes gázok kibocsátásának valószínűsége).
- Ne dolgozzon párák vagy nedves környezetbe, és ne hegeszzen esőben.
- Mindig védje a szemét a biztosított hegesztő álarcval.
- Használjon kesztyűt és védőruházatot, amely száraz, és nem olajos vagy szennyezett.
- A lepattogzó salak néha izzóan forró, és az eltávolítás során súlyos szemsérüléseket okozhat. Mindig viseljén védőszemüveget és kesztyűt.
- A hegesztés során az ultraibolya sugárzás égetheti a bőrt. Tehát mindig viseljén megfelelő védőruházatot.
- A hegesztő készülék túlterhelés ellen védett. Ezért túlterhelődés esetén a hegesztő készülék automatikusan lekapcsol. Miután eléggé lehűlt, a hegesztő készülék automatikusan újra bekapcsol.
- A hegesztés és lehűlés során a munkadarab a

feszültségek következtében deformálódhat. Ezt mindig tartsa észben.

- A hegesztéshez csak a készülékhez mellékelte vezetékek szabad használni (O/ 10 mm<sup>2</sup>, gumiszigetelési hegesztő vezetékek).
- A tűz- és robbanásveszélyes helyeken való hegesztéskor tartsa be az idevonatkozó összes előírást.
- A nagy terhelésnek kitett hegesztési varratokat (amelyekre külön biztonsági előírások vonatkoznak) csak megfelelő hegesztői minősítéssel rendelkező és tapasztalt hegesztők készíthetik el. Például: kazánok, sínek, nyomástartályok, függesztett készülékek tartói stb.
- Figyelem: a földelő csipeszt a hegesztési helyhez minél közelebb helyezze el, hogy a hegesztő áram útja minél kisebb legyen a hegesztő elektródától a csipesz csatlakozási helyéig. A hegesztő csipeszt ne csatlakoztassa a hegesztő készülék házához! A hegesztő csipeszt ne csatlakoztassa azokhoz a földelt tárgyakhoz, amelyek túl messze vannak a hegesztés helyétől, pl. a helyiség másik végében levő vízvezetékhez. Mert ilyen esetben előfordulhat, hogy annak a helyiségnek a védővezeték rendszere amelyben hegeszt, tönkremehet.
- A hálózati csatlakozódugó és a konnektor csak a VDE 0100 előírás szerinti lehet. A konnektor védelmét úgy kell biztosítani, hogy azon 16 A-nál nagyobb áram ne áramolhasson (biztosíték, vagy kismegszakító – típus és miszaki adatok: RT 14-20, O/ 10 x 38, AC 400 V 16 A, IEC 60269. Lassú gyártó: Chint). Az ennél nagyobb értékű hálózati ágon való munka esetén a vezeték eléghet.

## Érintésvédelem



*Azonnal kapcsolja ki a gépet az alábbi esetek bármelyikében:*

- *Ha hiba van a hálózati dugaszban, a tápkábelben, vagy a kábel megsérült.*
- *Ha hibás a kapcsoló.*
- *Ha füstöt észlel vagy a szigetelés égésére utaló szagot érez.*
- Bizonyosodjon meg róla, hogy a hegesztő készülék és az elektromos vezetékezés csatlakozásai helyesen kerültek bekötésre. Az áramütés bármely valószínűsége veszélyeztetheti az életet.
- Mindig győződjön meg a csatlakozások jó

állapotáról, az elektród tartón és a földelő csatlakozón egyaránt.

- Ne engedje, hogy az elektromos kábelek húzás miatt megsérüljenek. A hegesztő készülék mozgatása előtt kapcsolja le a kábeleket.
- Kerülje el az érintkezést a hegesztő készülék elektromosan vezető részével, az elektród tartóval és a földelő csatlakozóval.
- Mindig ellenőrizze, hogy a hálózati feszültség megfelel-e a gép típus tábláján levő értéknek.
- Kábelek vagy dugaszok cseréjével: Dobja ki a régi kábeleket és dugaszokat, amint azokat kicserélte újakra. A laza kábel dugasz behelyezése a dugaszoló aljzatba veszélyes.
- Minden 230 Volt-on működő hegesztő készülékhez legalább 16 amperes biztosítékot kell használni
- Hosszabbító vezetékek használata esetén: Csak olyan engedélyezett hosszabbító vezetékot használjon, amely megfelel a gép teljesítményének. Az erek keresztmetszetének legalább 1,5 mm<sup>2</sup>-esnek kell lennie. Teljesen tekerje le a vezetékot, ha az kábeldobon van.
- Az elektromos berendezéseken és annak tartozékain (kábelek, csatlakozók, konnektorok stb.) végzendő munkákat bízva villanyszerelő szakemberre.

### 3. Kiegészítő tartozékok



*Bizonyosodjon meg róla, hogy a dugasz eltávolításra került a dugaszoló aljzatból a tartozékok összeszerelése során.*

#### A gép üzembe helyezése

- A hegesztő készüléket száraz és tiszta (vasportól, portól és festéktől mentes) helyen helyezze üzembe.
- Helyezze a hegesztő készüléket egy szilárd és sík felületre, és legalább 20 cm-re a faltól.
- Védje a hegesztő készüléket az esőtől és az erős napfénytől.

#### A hegesztő álarca

##### 2. Ábra

- Addig csúsztassa a fogantyút a hegesztő álarcra, amíg az nem rögzül.
- Helyezze a világos üveget (védőüveget) a sötét hegesztő üveg elé. Csúsztassa mindkét üveget a nyílás elé.
- Bizonyosodjon meg róla, hogy az üvegek úgy helyezkednek el, hogy semmilyen (káros) fény nem képes behatolni a nyíláson.

- Cserélje ki a világos védőüveget, ha a munkadarabot a hegesztés során elégtelenül látja. A sötét hegesztő üveg cseréje jelentősen drágább, mint a világos védőüveg cseréje.

#### Új elektródák behelyezése

Az elektróda egy bevonattal ellátott fémmagból áll. Az elektróda egyik végén a magot nem borítja a bevonat.

- Nyomja le az elektród tartó fogantyúját a rugó ellenében.
- Tegyen egy elektródát a bevonat nélküli végével (+/- 2 cm) az elektród tartóba. Győződjön meg róla, hogy a bevonat nélküli rész jól érintkezik az elektród tartó fém részével (az elektróda nincs túl messzire betolva az elektród tartóba).
- Engedje el a markolat fogantyúját. Az elektróda rögzítésre került.



*Megjegyzés! Ne hagyja, hogy az elektróda +/- 5 cm-nél rövidebb hosszúságúra égjen, a túlmelegedés és/vagy az elektród tartó deformálódása miatt. Az elégett elektródát nehezen lehet eltávolítani.*

#### Használt elektródák eltávolítása

Nyomja meg az elektród tartó markolatát a rugó ellenében, így az elégett elektróda ki tud esni a tartóból.



*Megjegyzés! Az elektródát ne kézzel távolítsa el a tartóból. Az elektróda nagyon forró!*



*Megjegyzés! A tűvesztély és az esetleges sérülés megelőzéséhez figyelje, hogy hová esik a hulladék elektróda.*

### 4. Működtetés

#### Használat előtt:

- Általános információk az elektromos ívhegesztésről
- Az elektróda
- Védőruházat
- Arcvédelem
- Munkakörnyezet

#### a. Általános információk az elektromos ívhegesztésről

Az ív hőmérséklete megközelítőleg 7000° Celsius,

így az elektróda vége és a munkadarab megolvad. Mindaddig, amíg az ív fennáll, az elektróda megolvad, és biztosítja a szükséges hegesztő anyagot az összekapcsolandó részekhez. Az elektróda és a munkadarab közötti távolságnak a lehető legrövidebbnek kell lennie (körülbelül 1,5 - 4 mm), az elektróda átmérőjétől és típusától függően. A hegesztéshez szükséges áramot a hegesztő készülék szolgáltatja. A hegesztő készülék által igényelt teljesítmény a végzendő munkától függ.

Bizonyosodjon meg róla, hogy az elektródák szárazak, mivel a nedves elektródák problémákat okoznak. Ha az elektróda a hegesztés során hozzáragad a munkadarabhoz, az áramerősség túl alacsonyra van beállítva.

#### b. Az elektróda

- Az elektróda egy bevonattal ellátott fémagyból áll. A bevonat legfontosabb célja, hogy védje a hegesztőanyagot és az átadásra kerülő cseppecskéket a környező levegő oxigénjétől és nitrogénjétől. Az elektróda a hegesztés során megolvad. A bevonat egy része elpárolog, így egy védő gázpajzs keletkezik. A bevonat egy része a hegesztőanyagban lebeg (könnyebb az acélnál), és szintén védi a lehiló varratot. Lehilés után ez a bevonat szilárd, de könnyen eltávolítható salakká válik a hegesztett kapcsolaton.
- Óvatosan kezelje az elektródákat, hogy a bevonat ne törjön el. Bizonyosodjon meg róla, hogy az elektródák teljesen szárazak, ezért tárolja azokat nedvességtől mentes helyen.
- A jó és erős hegesztett kapcsolat készítéséhez nagyon fontos a megfelelő elektróda használata. Az univerzális elektróda sok esetben megfelel a munkához. Az elektróda csomagolásán feltüntetésre kerül, hogy mely helyzetekben lehet az adott elektródákkal hegeszteni (fej fölött, lefelé, stb., észben tartva az elektróda leolvadásának sebességét). Külön elektródák kaphatók kereskedelmi forgalomban rozsdamentes acél és öntöttvas típusok hegesztéséhez. A megfelelő elektróda vásárlásához konzultáljon a kereskedővel.

#### c. Védőruházat

Viseljen teljesen fedő ruházatot, hogy a bőr ultraibolya sugárzás vagy fémfroccsenések általi megégésének a valószínűsége minimális legyen. Leginkább pamut kezéslábas, hegesztő kesztyűt

és biztonsági cipőt viseljen. Bizonyosodjon meg róla, hogy a hegesztési fröccs nem tud bejutni a kesztyűbe vagy a cipőbe.

A (bőr) hegesztő kötényt megállítja az égést és a kezéslábasokat károsító szikrákat.

#### d. Arcvédelem

##### 2. Ábra

Használjon jó hegesztő álarcot (sötét) hegesztő üveggel és védőüveggel. Ellenőrizze, hogy mindkét üveg megfelelően van-e betéve (jól rögzül-e és nem teszi lehetővé a napfény bejutását). A hegesztő álarc megvédi a hegesztőt a sugárzástól, a hőtől és a hegesztési folyamat során kibocsátott hegesztési fröccstől. Ez a hegesztési gázok belélegzését is csökkenti. A láthatatlan ultraibolya sugarak úgynevezett "hegesztő villanást" okoznak. Ez már néhány másodperccel az ívfénybe történő belenézés után keletkezik. Kerülje el ennek a sugárzásnak és a magas hőmérsékletnek a hatásait az arcon és egyéb kitett testrészekben, mint például a nyakon és a karokon.

Védekezzen a hegesztőív egészségre káros hatásai ellen (védőpajzs, védőruha), és a munkában nem részvevő személyeket legalább 15 m távolságra küldje el.

A munkahely közelében tartózkodó személyeket oktassa ki a hegesztőív egészségkárosító hatásairól és az egyéb veszélyekről, valamint lássa őket el a szükséges munkavédelmi eszközökkel. Ha szükséges, akkor a hegesztés helyén állítson fel paravánt.

#### e. Munkakörnyezet

- Biztosítson jól szellőzött munkakörnyezetet. Hegesztés közben gázok szabadulnak fel, amelyek ártalmasak az egészségre.
- Távolítsa el minden gyúlékony tárgyat a munkakörnyezetből. A hegesztés szikrákat és forró fémeket okoz.
- Gondoskodjon róla, hogy legyen hűtővíz a munkahely szomszédságában. Ne hagyja az éppen összehegesztett (forró) munkadarabokat felügyelet nélkül a munkahelyen. A munkahely elhagyása előtt hitse le a munkadarabot.

#### Védelem a sugárzással és a tizzel szemben.

- A munkahelyen ki kell tenni a „Figyelem! Szemszerűlés veszélye” táblát, illetve „A villamos ívbe nézni tilos!” feliratot. A munkahelyet lehetőleg hegesztő paravánnal kell körbevenni, hogy a közelben

tartózkodókat ne érhesse káros sugárzás. Az illetéktelen személyeket küldje el a hegesztés helyétől.

- Az állandó hegesztési munkahelyen a falakat lehetőleg sötét és matt festékkel fesse be. Az ablakokat legalább szemmagasságig a visszatükröződést, és a kisugárzást megakadályozó matt festékkel kell befesteni.

## Használatba vétel

### 3. Ábra

Tipp: Bonyolult munkadarabok hegesztésének elkezdése előtt a legjobb először kipróbálni a hegesztést egy tesztdarabon.

- Gondoskodjon egy tiszta munkadarabról: távolítsa el minden rozsdát, zsírt és festékmарadványt.
- Állítsa be a kívánt áramerősséget a hegesztő készülék elején található gomb használatával. Az áramerősség megválasztása a munkadarabtól és a használt elektróda típustól függ.
- Helyezze az elektróda bevonat nélküli részét az elektródatartóba és csatlakoztassa a földelő csatlakozót a munkadarabhoz.
- A főkapcsolóval kapcsolja be a hegesztő készüléket.
- Tartsa a hegesztő álarcot az arca előtt és mozgassa az elektróda hegyét a munkadarab fölött, mintha egy gyufát gyújtana meg. Ez a legjobb módja a hegesztő ív elindításának. Ne üsse meg a munkadarabot az elektródával. Ez károsítja az elektródát és gátolja a hegesztő ív létrejöttét.
- A hegesztő ív létrejötté után azonnal próbálja meg egyenletesen tartani a távolságot az elektróda hegye és a munkadarab között. Akkor távolságot tartson, amely egyenlő az elektróda átmérőjével. Ezt a távolságot a hegesztés során próbálja annyira állandóként tartani, amennyire csak lehet.
- Az elektródát fokozatos húzó mozgással mozgassa a munkadarab fölött.
- Az elektróda és a munkadarab közötti szöveget tartsa 60° és 70° között a mozgás irányában.
- A hegesztett kapcsolat elkészítése után szakítsa meg az ívet úgy, hogy eltávolítja az elektródát a munkadarabtól.
- Kapcsolja le a hegesztő készüléket.



*Megjegyzés: Ha a hegesztő készüléket bekapcsolva hagyja, nagy a valószínűsége, hogy az elektróda*

*érintkezni fog (a munkapadon keresztül) a földelő kábellel és spontán módon elkezd hegesztetni.*

- A hegesztett kapcsolatról a salakot salakoló kalapáccsal távolítsa el.



*Vigyázzon a forró repülő fémrészekre. Mindig viseljen védőszemüveget.*

- Soha ne hegeszzen salakmaradványok fölött: a salak szigetelő és szennyező réteget alkot, és ennek eredményeként gyengíti a varratot (úgynevezett salakzárvány).
- Drótkéfével kefélje tisztára a varratot.



*Megjegyzés: A munkadarab még mindig nagyon magas hőmérsékletű. Ne hagyja a forró munkadarabot felügyelet nélkül.*

## Hőmérséklet jelzőlámpa

### 1. Ábra

Amikor a hegesztő készülék hőmérséklete túl magassá válik, a beépített termosztát lekapcsol (a jelzőlámpa felgyullad). A beépített ventilátor lehíti a gépet. Lehülés után a lámpa újra kialszik. Inkább hagyjon a gépnek elegendő időt a lehülésre; intenzív hegesztés esetén nagy a valószínűsége, hogy a hőkapcsoló néhány perc után ismét működésbe lép.

## 5. Szerviz és karbantartás



*Ügyeljen, hogy a motor karbantartása során a fűrés mindig le legyen választva az elektromos hálózatról.*

A gépek megtervezésüknek és összeállításuknak köszönhetően hosszú ideig és minimális karbantartással üzemeltethetők. A folyamatos jó működés a gép helyes kezelésével és rendszeres tisztításával biztosítható.

### Meghibásodások

A gép esetleges hibás működésének lehetséges okait és a megfelelő megoldásokat az alábbiakban közöltük.

#### A hegesztő készülék nem működik

- A földelő csatlakozó nem érintkezik jól a munkadarabbal
- Az elektróda nincs jól betéve a tartójába
- A hőkapcsoló lekapcsol

- A biztosíték hibás (a mérődobozban), vagy a hővédelem elégett.
- A kábel megszakadt  
A kapcsoló hibás/lépjen kapcsolatba a kereskedővel

### Az elektróda folyton 'hozzáragad' a munkadarabhoz

- Használjon megfelelő típusú elektródát (univerzálíst)
- Az áramerősség túl alacsony/forgassa a 3-as gombot az óra járásával megegyező irányba

### Az elektróda narancsvörös

- Az áramerősség túl magas ehhez a típusú elektródához/forgassa a 3-as gombot az óra járásával ellenkező irányba

### Az elektróda túlzottan fröcsköl és sok zajt kelt a hegesztés során

- Az áramerősség túl magas/forgassa a 3-as gombot az óra járásával ellenkező irányba

### A gép túl forró; a jelzőlámpa bekapcsolt

- A szellőzőnyílások eldugultak/tisztítsa meg őket egy száraz ruhával; várjon pár percet, amíg a lámpa újra kialszik



*A gép csináltatását csakis elismert elektromos műszerészre bizza!*

### Karbantartás

- Győződjön meg róla, hogy a szellőzőnyílások por- és szennyeződésmentesek. A makacs szennyeződések eltávolításához használjon szappanos vízzel megnedvesített, puha törlőkendőt. Ne használjon oldószereket, pl. benzint, alkoholt vagy ammóniát, stb.
- Győződjön meg róla, hogy az elektródatartó és a földelő csatlakozó korróziómentes maradt, így továbbra is jó elektromos érintkezést tudnak létrehozni.
- Rendszeresen ellenőrizze, hogy a hegesztő és a munkadarab kábelek szilárdan rögzítve vannak-e a csatlakozásaikban.

### Olajozás

A gép külön olajozást nem igényel.

### Meghibásodás

Ha meghibásodás fordulna elő, pl. egy alkatrész kopása után, kérjük, forduljon a garanciajegyen feltüntetett szervizhez. Ennek a kézikönyvnek a hátulján talál egy perspektivikus bontott részábrázolást, amely a rendelhető alkatrészeket

mutatja.

### Környezet

A szállítás során bekövetkező esetleges sérülések elkerülése érdekében a gép meglehetősen erős csomagolásban kerül leszállításra. A csomagoláshoz felhasznált anyagok nagy része újrafeldolgozható. Kérjük, hogy ezeket az anyagokat vigye a megfelelő szemétfeldolgozó telepekre.



*A meghibásodott vagy használhatatlanná vált elektromos berendezéseket adja le újrafeldolgozásra.*

### Garancia

A garanciális feltételeket a kézikönyvhöz csatolt garanciaártya tartalmazza.

# SVÁRECL PRLSTROJ

**Císla v textu se odvolávají na diagramy na stranách 2+109**



*Pro vaší vlastní bezpečnost a pro bezpečnost ostatních vám doporučujeme, aby jste si před použitím pily pozorně přečetli tento návod k použití. Tento návod k použití adokumentaci k pile si odložte pro pozdější použití.*

## Úvod

Proces tavného svarování je založen na tom, že pod vlivem dodaného tepla se opracováváný materiál roztaví. Používá se zde svářecí materiál (elektrody) stejně jako u sváření elektrickým obloukem. Svar vzniká po ztuhnutí.

Potřebné teplo se získá elektrickým obloukem mezi elektrodou a obrobkem. Proces sváření vyžaduje vysoký proud (40-100 A) s relativně nízkým napětím (10–48 V). Transformátor ve svářecím přístroji zabezpečuje snížení napětí sítě (230 V).

Agregát není vhodný pro živnostenské nasazení!

## Obsah

1. Informace o stroji
2. Bezpečnostní pokyny
3. Upevnění příslušenství
4. Obsluha
5. Servis a údržba

## 1. Informace o stroji

### Technické údaje

Napětí	230 V ~
Frekvence	50 Hz
Svářecí výkon	40-100 A
Napětí zapalování	~48 V
Tloušťka elektrod	1,6 - 2,5 mm
Hmotnost	13,2 kg
Rozměry	290x195x170 mm
Tepelná pojistka	100°C ± 5°C
Elektrický kabel	H07RN-F, 3G x 1,5 mm <sup>2</sup>
Svářecí kabel	H01N2-D1 x 10 mm <sup>2</sup>

### Obsah balení

- 1 Svářecí přístroj
- 1 Svářecí maska
- 1 Drátěný kartáč/oklepávací hadlo
- 1 Návod k použití

1 Bezpečnostní předpisy

1 Záruční list

Zkontrolujte, jestli při prepravě nedošlo k poškození přístroje, přiložených součástí nebo příslušenství.

## Informace o výrobku

### Obr. 1

1. Kontrolka teploty
2. Vypínač
3. Otočný knoflík pro nastavení intenzity proudu
4. Svářecí kabel s držákem elektrody
5. Uzemňovací kabel s příslušenstvím
6. Gumová nožička
7. Rukojeť
8. Ventilací prouduchy
9. Drátěný kartáč/oklepávací hadlo
10. Svářecí maska
11. Elektrody

## Stul: nastavení a použití

Ø elektrody (mm) Intenzita proudu (A) Vhodné kromě jiného pro:

1.6	45-55	Tloušťka materiálu <sup>2</sup> 2 mm Oprava mopedu/kola
2	50-75	Tloušťka materiálu 2-3 mm Oprava držáku na zdi
2.5	70-100	Tloušťka materiálu 4-5 mm Zahradní plot, zahradní hracky
3.2	95-150	Tloušťka materiálu 6-7 mm Přístřešek pro auto, garáž
4	130-220	Tloušťka materiálu 8-12 mm Konstrukce (těžká)
5	190-250	Tloušťka materiálu <sup>3</sup> 12 mm Konstrukce (velmi těžká)

## 2. Bezpečnostní pokyny

### Vysvětlení symbolů



Výstraha! Přečtěte si návod k používání



Oznacuje riziko osobního zranění, ztráty života nebo poškození nástroje v případě nedodržení pokynů v tomto návodu.



Oznacuje nebezpečí elektrického šoku.



Vyjmete zástrčku ze sítě.



Udržujte okolo stojící osoby v dostatečné vzdálenosti.



Chránit proti dešti



Noste bezpečnostní brýle a ušní ochranu.



Noste ochranné rukavice.



Behem sváření vždy používejte svářecí ochrannou masku



Používejte ochranný odev

## EN60974-6

Norma pro svářecí přístroje pro manuální sváření kovu obloukem s omezeným výkonem.



Držák elektrody



Koncovka uzemnění



Klesavé napětí



Jednofázový transformátor



Napájecí obvod, počet fází (například 1 nebo 3), symbol střídavého proudu a jmenovitá frekvence (například 50 Hz nebo 60 Hz)



Prumer elektrody



Tavení 16A



Maximální efektivní napájecí proud



Intenzita sekundárního proudu v ampérech



Maximální stanovená doba svařování v přerušovaném režimu



Maximální stanovená doba svařování v nepřetržitém režimu

**IP21S** STřída ochrany. Utesneno vuci predmetum do 12 mm a proti kolmému kapání vody. Prerušení s kontrolou vody.



Trída izolace



Zahajovací napětí ve voltech



Napětí síte ve voltech



Hodnoty konvenčního napětí při zatížení

Klasifikace dle EMC v souladu s normou IEC 60974-10

## Všeobecné bezpečnostní pokyny pro svářecí přístroje

- Uživatel stroje musí být poučený o použití a obsluze stroje.
- Zajistete dobře osvětlené a čisté pracovní prostředí.
- Před prováděním údržby stroje vždy vytáhněte zástrčku z elektrické zásuvky.
- Když stroj opouštíte, vytáhněte zástrčku z elektrické zásuvky.
- Stroj nepoužívejte, dokud není stroj úplně poskládaný a nainstalovaný podle popisu v tomto návode.

## Specifické bezpečnostní pokyny pro svářecí přístroj

- Riziko elektrického šoku: Elektrický šok způsobený svařováním může způsobit smrt. Nesvařujte za deště či ve sněhu. Používejte suché izolační rukavice. Nesahejte na elektrody holými rukama. Nepoužívejte vlhké či poškozené rukavice. Chraňte se před elektrickým šokem tak, že se izolujete od obrobku. Neotvírejte kryt zařízení.
- Riziko představované výparů vznikajícími při svařování: Vdechování výparů ze svařování může být zdraví nebezpečné. Udržujte hlavu mimo výparů. Používejte zařízení v otevřených prostorách. K odstranění výparů použijte ventilátor.
- Riziko představované jiskrami vznikajícími při svařování: Jiskry vznikající při svařování mohou způsobit výbuch či požár. Udržujte hořlaviny mimo oblast svařování. Nesvařujte

v blízkosti hořlavin. Jiskry vznikající při svařování mohou způsobit požár. Mějte v dosahu hasicí přístroj a zajistěte dohled osoby, která jej v případě potřeby použije. Nesvařujte sudy ani jakékoliv uzavřené nádoby.

- Riziko představované svařovacím obloukem: Paprsky oblouku mohou popálit oči a způsobit poranění pokožky. Používejte kuklu a ochranné brýle. Používejte ochranu uší a oděv s límcem. Používejte svářecí kuklu s filtrem s odpovídajícím stíněním. Používejte kompletní ochranu těla.
- Rizika představovaná elektromagnetickými poli: Svařovací proud vytváří elektromagnetické pole. Nepoužívejte, máte-li chirurgické implantáty. Svářecí kabely nikdy neovíjejte okolo těla. Kabely vedte vedle sebe.
- Sváření způsobuje jiskry a horký kov. Nezapomente, že to tvorí požární riziko a odstraňte z pracovního prostředí všechny hořlavé předměty.
- Zabezpečte dobrou ventilaci pracovního prostředí. Při sváření se uvolňují plyny, které jsou nebezpečné pro zdraví.
- Nesvarujte nádoby nebo trubky, které obsahují nebo by mely obsahovat hořlavé kapaliny nebo plyny (nebezpečí požáru nebo exploze).
- Nesvarujte materiály, které byly vycištěny vysoce hořlavými kapalinami nebo mají natřenou povrchy (pravděpodobnost uvolnění nebezpečných plynů).
- Nepracujte v mokřém nebo vlhkém prostředí a nesvářejte v dešti.
- Vždy si chrante oči dodanou svářecí maskou.
- Používejte rukavice a ochranný oděv, který musí být suchý a nezcistený olejem nebo jinými nečistotami.
- Struska, kterou je třeba odštipnout, je někdy rozpálená a může při odstraňování způsobit vážná zranění očí. Vždy používejte ochranné brýle a rukavice.
- Behem sváření může vaši pokožku spálit ultrafialové záření. Proto vždy používejte vhodný ochranný oděv.
- Váš svářecí přístroj je chráněn proti přetížení. Svářecí přístroj se proto při přetížení automaticky vypne. Svářecí přístroj se znovu automaticky zapne, když se dostatečně vychladí.
- Behem sváření a chlazení vašeho obrobku se

muže obrobek kvůli namáhání deformovat. Toto mejte vždy na paměti.

- Smí se používat jen svarovací vodice, které jsou v rozsahu dodávky (O/ 10 mm<sup>2</sup> pryží chránené svarovací vodice).
- V prostorách ohrožených nebezpečím požáru a výbuchu platí zvláštní předpisy.
- Svarované spoje, které jsou vystaveny velkému namáhání a musí splňovat určité bezpečnostní požadavky, se smí provádět jen zvláště vyškolenými a zkušebními sváreči. Například: tlakové kotle, kolejnice, závesná zařízení návesu atd.
- Pozor: připojujte uzemňovací svorku vždy co možná nejbližší ke svarovanému místu, takže svarovací proud může probíhat nejkratší možnou cestou od elektrody k uzemňovací svorce. Nikdy nepřipojujte uzemňovací svorku s teplem svarovacího agregátu! Nikdy nepřipojujte uzemňovací svorku na uzemněné součásti, které jsou příliš vzdáleny od obrobku, např. na vodovodní trubku v jiném rohu místnosti. Jinak by mohlo dojít k tomu, že se poškodí systém ochranného vedení v místnosti, ve které svarujete.
- Zabezpečení přípojek k síťové zásuvce musí odpovídat předpisem (VDE 0100). Ochranné kontakty zásuvek smí být zabezpečeny (pojistkami nebo ochrannými spínacími vedení) s max. 16A (Typy a technické údaje: RT14-20, O/ 10 x 38, AC 400 V 16A. IEC 60269. Málo aktivní. Výrobce: Chint). Vyšší jistištění mohou mít za následek požár vedení, příp. poškození budovy.

## Elektrická bezpečnost



*Stroj okamžitě vypnete, pokud: je chyba v elektrické zásuvce, napájecím kabelu nebo pokud je poškozen kabel.*

- je vadný vypínač.
- vidíte dým nebo cítíte zápach způsobený spálenou izolací.

- Presvědčte se, že zapojení svářecího přístroje a elektrické instalace je řádně provedeno. Nebezpečí elektrického šoku může ohrozit život.
- Vždy zabezpečte dobré spojení držáku elektrody a koncovky uzemnění.
- Nedovolte, aby se elektrické kabely znicily tažením. Před presunutím svářecího přístroje odpojte kabely.
- Vyhnete se kontaktu s elektricky vodivými



částmi svářečického přístroje, držáku elektrody a koncovky uzemnění.

- Vždy zkontrolujte, zda napětí ve vaší síti odpovídá hodnotě na typovém štítku přístroje.
- Při výměně kabelu nebo zástrček: Staré kabely a zástrčky odhodte okamžitě po jejich výměně za nové. Vložení uvolněné zástrčky do zásuvky je nebezpečné.
- Pro všechny svářečické přístroje pracující na 230 voltu použijte nejméně 16 ampérovou pojistku.
- Při použití prodlužovacích kabelů: Používejte pouze schválené prodlužovací kabely vhodné pro napájení tohoto přístroje. Jádru musí mít průměr nejméně 1,5 mm<sup>2</sup>. Pokud je prodlužovací kabel na cívice, úplně ho odrolujte.
- Práce na straně síťového napětí, např. na kabelech, zástrčkách, zásuvkách atd. nechte provést jen odbornými elektrikáři.

### 3. Upevnění příslušenství



*Při montáži příslušenství se přesvědčte, zda byla vytáhnutá zástrčka z elektrické zásuvky.*



*Upozornění! V závislosti od podmínek elektrické sítě v přípojném bodě, zdroj svarovacího výkonu může rušit dodávku elektriny jiným uživateli. Pokud máte pochybnosti ohledně této otázky, odpověď byste měli hledat u dodavatele elektrické energie.*

#### Instalace přístroje

- Svářečický přístroj nainstalujte na suchém a čistém místě (bez železného prášku, prachu a náteru).
- Svářečický přístroj umístěte na pevný a rovný povrch nejméně 20 cm od zdi.
- Svářečický přístroj chrante před deštěm a silným slunečním světlem.

#### Svářečická maska

##### Obr. 2

- Nasadte držáky na svářečickou masku, dokud nezapadnou.
- Svétlé sklo (ochranné sklo) umístěte před tmavé svářečické sklo. Obe skla nasunte na přední stranu otvoru.
- Přesvědčte se, že skla jsou umístěny tak, že přes otvory nemůže přecházet žádné (škodlivé) světlo.
- Když se výhled na obrobek během sváření

stane nedostatečným, vyměňte světlé ochranné sklo. Výměna tmavého svářečického skla je omnoho dražší než výměna světlého ochranného skla.

#### Upevnění nových elektrod

Elektroda pozůstává z kovového jádra uloženého v pouzdře. Na jednom konci není jádro elektrody pokryto pouzdrem.

- Zatlačte rukojet držáku elektrody proti pružině.
- Elektrodu vložte nepokrytým koncem (+/- 2 cm) do držáku elektrody. Přesvědčte se, že nekrytá část je v dobrém kontaktu s kovovými částmi držáku elektrody (elektroda není zatlačena příliš hluboko v držáku elektrody).
- Uvolněte rukojet přichytky. Elektroda je tím upevněna.



*Poznámka! Nedovolte, aby elektroda shorela do délky menší než +/- 5 cm kvůli přehrátí a/nebo deformaci držáku elektrody. Shorenou elektrodu by bylo těžké vyjmout.*

#### Vyjmutí použitých elektrod

Stisknete přichytku držáku elektrody proti pružině, aby vyhorená elektroda mohla z držáku vypadnout.



*Poznámka! Elektrodu nevyjímejte z držáku rukou. Elektroda je velmi horká!*



*Poznámka! Dávejte pozor, kam vyhorená elektroda padne, abyste zabránili riziku požáru a možného zranění.*

### 4. Obsluha

#### Před použitím:

- Všeobecné informace o sváření elektrickým obloukem
- Elektroda
- Ochranný odev
- Chránič obliceje
- Pracovní prostředky

#### a. Všeobecné informace o sváření elektrickým obloukem

Teplota oblouku dosahuje přibližně 7000°C, stejně jako konec elektrody a tavení obrobku. Dokud se oblouk udržuje, elektroda se bude tavit a tím dodávat nezbytný svářečický materiál na části, které je třeba spojit. Vzdálenost mezi

elektrodou a obrobkem musí být co nejmenší (přibližně 1,5 - 4 mm), v závislosti od průměru a typu elektrody. Proud potřebný pro sváření se dodává ze svářečského přístroje. Energie, kterou potřebuje svářečský přístroj, závisí od práce, která se bude dělat.

Presvědčte se, že elektrody jsou úplně suché, protože vlhkost na nich způsobuje problémy. Pokud se elektroda přilepí během sváření k obrobku, intenzita proudu je nastavena příliš nízkou.

## b. Elektroda

- Elektroda pozůstává z kovového jádra uloženého v pouzdře. Pouzdro má nejdůležitější smysl chránit tavnou lázeň a přenášet kapicky proti kyslíku a dusíku v okolním vzduchu. Elektroda se během sváření taví. Část pouzdra se vyparuje, aby se vytvořil ochranný plynový štít. Část pouzdra vytéká do tavné lázně (je lehčí než ocel) a také chrání chladnou svar. Po vychlazení toto pouzdro ztuhne, ale lze ho snadno ze svaru odstranit.
- Selektrodami manipulujte opatrně, aby se pouzdro nezlomilo. Presvědčte se, že elektrody jsou úplně suché, proto je uschovávejte na místě, kde není vlhkost.
- Je velmi důležité použít správnou elektrodu, aby byl vytvořen dobrý a pevný svar. V mnoha případech bude pro vaši práci vhodná univerzální elektroda. Obal elektrody uvádí, ve které pozici je možné provádět sváření s danými elektrodami (nad hlavou, směrem dolů atd., což bere v úvahu rychlost tavení elektrody). Samostatné elektrody jsou komerčně dostupné pro sváření různých typů nerezové oceli a slitiny. Obratě se na svého prodejce, aby vám poradil při výběru správné elektrody.

## c. Ochranný odev

Používejte odev, který vás úplně zahálí, abyste minimalizovali riziko spálení pokožky ultrafialovým zářením nebo vystríknutým kovem. Nejlépe je použít bavlněný overal, svářečské rukavice a ochranné boty. Ujistěte se, že odlítnuté kapky ze sváření nemohou skončit v rukavicích nebo botách.

(Kožená) svářečská zástera zastaví horeň a jiskry, které mohou poškodit overal.

## d. Ochrana obličeje

### Obr. 2

Použijte dobrou svářečskou masku s (tmavým)

svářečským sklem a ochranným sklem. Zkontrolujte, zda jsou obě skla správně namontovaná (dobře upevněná a nepropouštějící žádné světlo).

Svářečská maska chrání svářeče před zářením, teplem a úlomky, které se uvolňují během procesu sváření. Zároveň snižuje inhalaci výparu ze sváření.

Neviditelné ultrafialové paprsky způsobují takzvané "svářečské záblesky". Ty vznikají již po několika vteřinách dívání se do elektrického oblouku.

Vyhnete se účinkům tohoto záření a vysokých teplot na obličeje a jiné vystavené části těla, jako je krk a ramena.

Chraňte se před nebezpečnými efekty světelného oblouku a vzdalte osoby, které se nezúčastní práce, nejméně do vzdálenosti 15 m od světelného oblouku.

Také osoby nebo pomocníci nacházející se v blízkosti světelného oblouku musí být poučeni o nebezpečích a vybaveny potřebnými ochrannými pomůckami. Když je zapotřebí, postaví se ochranné stěny.

## e. Pracovní prostředí

- Zajistíte dobře ventilované pracovní prostředí. Při sváření se uvolňují plyny, které jsou nebezpečné pro zdraví.
- Zpracovního prostoru odstraníte všechny horlavé předměty. Sváření způsobuje jiskry a horký kov.
- Presvědčte se, že v blízkosti pracovního prostoru je k dispozici chladicí voda. Nenechávejte právě svarené (horké) obrobky na pracovišti bez dozoru. Před opuštěním pracoviště obrobek vychladte. Ochrana proti záření a popáleninám.
- Na pracovišti musí být umístěny tabule poukazující na nebezpečí poškození očí "Pozor! Nedívat se do plamene!" Pracoviště je nutné pokud možno odstínit tak, aby se chránily osoby, které se nacházejí v blízkosti. Nepovolané osoby se musí vzdálit od svarovacích prací.
- V bezprostřední blízkosti stabilních pracovišť by stěny neměly být svetlobarevné a lesklé. Okna se musí zajistit nejméně až do výše hlavy proti propuštění nebo zpetného zrcadlení záření, např. vhodným náterem.

## Uvedení do provozu

### Obr. 3

Tip: Před zahájením sváření náročných obrobků je nejlépe vyzkoušet si sváření na pokusném kusu.

- Zajistete čistý obrobek: odstráňte rez, masť a zvyšky náteru.
- Nastavte potrebnú intenzitu proudu pomocou ovladača na prednej strane svárečného prístroja. Vyberte intenzitu proudu závidí od obrobku a typu použitej elektrody.
- Časť elektrody bez pouzdra umiestite do držáku elektrody a koncovku uzemnenia pripojte k obrobku.
- Svárečný prístroj zapnete hlavným vypínačom.
- Svárečnú masku si držte pred obličejom a posuňte hrot elektrody pres obrobek, ako by ste zapalovali zápalku. Je to najlepší spôsob, ako spustiť svárečnú obluku. Obrobek elektrodou neškrtejte. Poškodí sa tým elektroda a zabráni to vytvoreniu svárečnej obluky.
- Po vytvorení svárečnej obluky sa okamžite snažte udržiavať vzdialenosť medzi hrotom elektrody a obrobkom na rovnakej úrovni. Tuto vzdialenosť udržiavajte tak, aby odpovedala priemeru elektrody. Tuto vzdialenosť udržiavajte počas svárenia čo najviac konštantne.
- Elektrodu nad obrobkom posuňte postupným ťažením.
- Úhel medzi elektrodou a obrobkom udržiavajte medzi 60° - 70° vo smeru pohybu.
- Po vytvorení svaru prerušte svárečnú obluku odpojnutím elektrody od obrobku.
- Svárečný prístroj vypnete. Poznámka: Pokiaľ necháte svárečný prístroj zapnutý, je vysoká pravdepodobnosť, že elektroda sa dostane do kontaktu (pres pracovnú stoličku) s uzemňovacím káblom a spontánne začne sváriť.
- Pomocou oklepávadla odstráňte ze svaru strusku. Dávajte pozor na horúce letiace kovové častice. Vždy používajte ochranné brýle.
- Nikdy nesvarujte pres zvyšky strusky: struska vytvára izoláciu a kontaminovanou vrstvu a tým oslabuje svar (takzvaný vnik strusky).
- Svar obrúste docista pomocou drátenej kartáče. Poznámka: Obrobek má stále veľmi vysokú teplotu. Nechávejte horúci obrobek bez dozoru.

## Kontrolka teploty

### Obr. 1

Když se teplota svárečného prístroja príliš zvýši, zabudovaný termostat ho vypne (rozsvítí sa kontrolka). Zabudovaný ventilátor prístroja ochladí. Po vychladení kontrolka opäť zhasne. Radej nechajte prístroj dostatočný čas, aby sa vychladil. Pri intenzívnom svárení je veľká

pravdepodobnosť, že tepelná pojistka prístroja po niekoľkých minútach znovu odstaví.

## 5. Servis a údržba



*Ujistete sa, že prístroj není zapnutý a je odpojen od siete, keďliže provádíte údržbu motoru.*

Prístroje značky sú konštruované pre dlhodobé používanie pri minimálnej údržbe. Budú fungovať bez problému, pokiaľ sa jim bude venovať náležitá starostlivosť a pokiaľ budú pravidelne čistené.

### Závady

Pokiaľ stroj nefunguje správne, nižšie je uvedené niekoľko možných príčin príslušných riešení.

### Svárečný prístroj nefunguje

- Koncovka uzemnenia nemá dostatočný kontakt s obrobkom
- Elektroda není správne umiestnená v držáku
- Tepelná pojistka je vypnutá
- Vadné tavenie (v merickej skrini), alebo došlo ke spáleniu tepelnej ochrany.
- Kabel je zlomený
- Vypínač je vadný/obráťte sa na predajcu

### Elektroda sa stále "lepí" na obrobek

- Použite správny typ elektrody (univerzálny)
- Intenzita proudu je príliš nízka/otočte ovladač 3 vo smeru hodinových ručičiek

### Elektroda je oranžovo-červená

- Intenzita proudu je príliš vysoká pre tento typ elektrody/otočte ovladač 3 proti smeru hodinových ručičiek

### Ze elektrody sa počas svárenia nadmerne jiskrí a vzniká veľký hluk

- Intenzita proudu je príliš vysoká/otočte ovladač 3 proti smeru hodinových ručičiek

### Prístroj je príliš horúci; kontrolka svieti

- Ventiláčny prúdový jso zablokované/-vycistete je suchým hadrom, pockejte niekoľko minút, dokud kontrolka znovu nezhasne



*Opravy prístroja môže provádieť pouze kvalifikovaný opravár alebo servisní stredisko.*

## Údržba

- Presvedctc se, že ventilacní pruduchy jsou bez prachu a necistot. Použijte mekký hadr namocený do mýdlové vody, abyste odstranili zatvrdnuté necistoty. Nepoužívejte žádná rozpouštedla jako benzín, alkohol, cpavek, atd.
- Presvedctc se, že držák elektrody a koncovka uzemnení nejsou zkorodovány, aby vytvářely dobrý elektrický kontakt.
- Pravidelne kontrolujte, zda svárecí kabel a kabel obrobku je pevne prichycen na místě.

## Mazání

Přístroj nevyžaduje žádné dodatečné mazání.

## Závady

Vznikne-li závada na nekeré součástce, například vlivem opotrebení, kontaktujte prosím servisní adresu uvedenou na záruční karte. Na zadní strane návodu naleznete schematický nákras, které součástky lze objednat.

## Životní prostředí

Přístroj je dodáván v odolném balení, které zabranuje jeho poškození během prepravy. Většinu z materiálů, které jsou na balení použity, lze recyklovat. Zbavujte se jich proto pouze na místech určených pro odpad příslušných látek.



*Vadný a nebo vyhozený elektrický ci elektronický přístroj musí být dodán na příslušné recyklační míst.*

## Záruka

Záruka je poskytována za podmínek, jež najdete na samostatném záručním listu, který je priložen k výrobku.

## VARILNANAPRAVA

### Številke v besedilu ustrezajo diagramom na straneh 2+109



*Za vašo varnost in varnost drugih vam priporocamo, da pred uporabo žage natančno preberete ta navodila. Priročnik in priloženo dokumentacijo shranite za nadaljnjo referenco.*

## Uvod

Spstopkom talilnega varjenja se tali material obdelovanca pod vplivom dobavljene vročine. Z elektricnim oblocnim talilnim varjenjem se uporablja tudi varilni material (elektrode). Var nastane po strditvi.

Temperaturo, ki je potrebna za varjenje, ustvarja elektricni oblok med elektrodo in obdelovancem.

Zapostopek varjenja se zahteva mocen tok (40-100 A) z razmeroma nizko napetostjo (10-48 V). Pretvornik v varilni napravi znižuje omrežno napetost (230V).

Agregat ni primeren za obrtniško uporabo.

## Vsebina

1. Informacije o stroju
2. Varnostna navodila
3. Montažni dodatki
4. Obratovanje
5. Servis in vzdrževanje

## 1. Informacije o stroju

### Tehnični podatki

Napetost	230 V ~
Frekvencia	50 Hz
Moc varjenja	40-100 A
Vžigalna napetost	~48 V
Debelina elektrode	1,6 - 2,5 mm
Teža	13.2 kg
Velikosti	290x195x170 mm
Toplotna zaščita	100°C ± 5°C
Napajalnem kablu	H07RN-F, 3G x 1,5 mm <sup>2</sup>
Varilni kabel	H01N2-D1 x 10 mm <sup>2</sup>

### Vsebina paketa

- Varilna naprava
- Varilna maska
- Žična krtaca/kladivo za čiščenje kotlovcva
- Priročnik za uporabnika
- Varnostna navodila

- Garancijski list

Prepricajte se, da izdelek in njegovi nastavki niso bili poškodovani med transportom.

### Tehnicni podatki

#### Slika 1

1. Svetlobni kazalnik temperature
2. Stikalo ON/OFF (vklop/izklop)
3. Vrtilni gumb za nastavljanje jakosti toka
4. Varilni kabel z držalom za elektrodo
5. Ozemljitven kabel z napeljavo
6. Gumast pokrov
7. Rocaj
8. Ventilacijske reže
9. Žična krtaca/kladivo za čiščenje kotlovca
10. Varilna maska
11. Elektrode

### Tabela: nastavitve in uporaba

Ø Elektroda (mm)    Jakost toka (A)    Primerno za med drugim:

1.6	45-55	Debelina materiala <sup>2</sup> 2 mm Popravilo mopeda/kolesa
2	50-75	Debelina materiala 2-3 mm Popravilo stenskega stojala
2.5	70-100	Debelina materiala 4-5 mm Vrtna ograja, vrtna igrala
3.2	95-150	Debelina materiala 6-7 mm Stranska garaža, garaža
4	130-220	Debelina materiala 8-12 mm Konstrukcija (težka)
5	190-250	Debelina materiala <sup>3</sup> 12 mm Konstrukcija (zelo težka)



Druge osebe v bližini morajo stati v varni razdalji.



braniti pred dež.



Uporabljajte zaščitna očala in zaščito za sluh.



Uporabljajte zaščitne rokavice.



Med varjenjem uporabljajte varilno masko.



Uporabljajte zaščitna oblačila.

**EN60974-6** Standard za varilne naprave za ročno kovinsko obločno varjenje z omejeno storilnostjo.



Držalo za elektrode



Priključna sponka za ozemljitev



Padajoca napetost



Enofazni pretvornik

## 2. Varnostnanavodila

### Pomen simbolov



Pozor! Preberite navodila za uporabo



Naprava II. razreda – dvojna izolacija – Ne potrebujete vtikaca z ozemljitvijo.



Oznacuje nevarnost poškodb, smrti ali materialnih škod na napravi in predmetih zaradi neupoštevanja navodil, ki so zajeta v tem priročniku.



Oznacuje nevarnost elektricnega udara.



Vtikac izvlomite iz vtičnice na zidu.



Napajalni tokokrog, število faz (npr. 1 ali 3), znak za izmenični tok in nazivno frekvenco (npr. 50 Hz ali 60 Hz)



Premer elektrode



Talilni vložek 16A



Najvišji efektivni napajalni tok



Sekundarna jakost toka, merjena v amperih

●●● Nazivni najdaljši čas varjenja v intervalnem načinu

■ Nazivni najdaljši čas varjenja v neprekinjenem načinu

**IP21S** SZAščitni razred; zatesnjeno za predmete do 12 mm in proti navpicnemu padanju kapljajoče vode. Zaustavitev z regulacijo vode

**H** Izolacijski razred

**U<sup>0</sup>** Odprta napetost, merjeno v voltih

**U<sup>1</sup>** Omrežna napetost, merjeno v voltih

**U<sup>2</sup>** Vrednosti običajne obremenilne napetosti U2

*Klasifikacija o elektromagnetni združljivosti v skladu z IEC 60974-10*

### **Splošna varnostna navodila za varilne naprave**

- Nevarnost električnih udarov: Električni udari varilne elektrode so lahko smrtno nevarni. Ne varite v dežju ali snegu. Uporabljajte suhe izolacijske rokavice. Elektrode se ne dotikajte z golimi rokami. Ne uporabljajte mokrih ali poškodovanih rokavic. Zaščitite se pred električnimi udari, tako da se izolirate od obdelovanca. Ne odpirajte ohišja opreme.
- Nevarnost zaradi hlapov varjenja: vdihavanje hlapov pri varjenju je lahko škodljivo za vaše zdravje. Glava ne sme biti nikoli v območju plinov. Opremo uporabljajte v odprtih prostorih. Z ventilatorjem odstranite hlapce.
- Nevarnost zaradi iskenja pri varjenju: iskre, ki nastajajo pri varjenju, lahko povzročijo eksplozijo ali požar. Vnetljive snovi ne smejo biti v območju varjenja. Varjenje v bližini vnetljivih snovi je prepovedano. Iskre, ki nastajajo pri varjenju, lahko povzročijo požar. V bližini varjenja naj bo vedno gasilni aparat in oseba, ki ga lahko nemudoma uporabi. Varjenje na bobnih ali v zaprtih prostorih ni dovoljeno.
- Nevarnost zaradi obloka: obločni plameni lahko poškodujejo oči in kožo. Uporabljajte zaščitna pokrivala in zaščito za oči. Uporabljajte zaščito za sluh in oblačila z ovrtniki z gumbi. Uporabljajte zaščitno čelado z ustrežno zatemnitvijo ali filtrom. Uporabljajte

zaščitno opremo za celotno telo.

- Nevarnosti, ki jih povzročajo elektromagnetna polja: varilni tok povzroča nastanek elektromagnetnih polj. Ne uporabljajte, če imate medicinske vsadke. Varilnih kablov nikoli ne ovijte okrog telesa. Varilne kable speljite skupaj.
- Uporabnik stroja mora prejeti ustrezna navodila o tem, kako uporabljati in obratovati stroj.
- Zagotovite dobro osvetljeno in čisto delovno okolje.
- Pred izvajanjem vzdrževalnih del na stroju vedno najprej izvlecite vtac iz omrežne vticnice.
- Izvlecite vtac iz omrežne vticnice, ko zapustite stroj.
- Stroja ne zapustite, preden ga v celoti ne sestavite in montirate v skladu z navodili v priročniku. Posebna varnostna navodila za varilne naprave
- Pri varjenju se iskre in nastajajo vroče kovine. Pomnite, da obstaja nevarnost požara, zato odstranite vse vnetljive predmete iz delovnega okolja.
- V delovnem okolju zagotovite dobro zrcenje. Pri varjenju se sproščajo plini, ki so nevarni za zdravje.
- Ne varite posod ali cevi, ki vsebujejo ali držijo vnetljive tekoce in pline (nevarnost požara ali eksplozije).
- Ne varite materialov, ki so očiščeni s hitro vnetljivimi tekočinami ali materialov z barvanimi površinami (možno sproščanja nevarnih plinov).
- Ne delajte v vlažnem ali mokrem okolju in ne varite na dežju.
- Vedno zaščitite oči s priloženo masko za varjenje.
- Uporabljajte suhe rokavice in zaščitna oblačila, ki ne smejo biti onesnažena z oljem in drugo umazanijo.
- Žindra, ki se mora odščipniti, je včasih žareče vroča in lahko med odstranjevanjem povzroci resne poškodbe oči. Vedno uporabljajte zaščitna očala in rokavice.
- Ultravijolično sevanje lahko med varjenjem ožge kožo. Za delo oblecite primerno zaščitno oblačilo.
- Varilna naprava je zaščitena pred preobremenitvijo. Varilna naprava se samodejno izklopi, ko je preobremenjena. Varilna naprava se samodejno vklopi, ko se zadostno ohladi.

- Med varjenjem in ohlajanjem lahko obdelovanec pod stresi spremeni obliko. Upoštevajte to.
- Lahko se uporabljajo samo varilni prevodniki, ki so sestavni del dobave (O/ 10 mm<sup>2</sup> zgumo zaščiteni varilni prevodniki).
- V prostorih, kjer grozi nevarnost požara in eksplozije veljajo posebni predpisi.
- Varilni spoji, ki so izpostavljeni visokemu naporu in morajo izpolnjevati določene varnostne zahteve, lahko izvajajo samo posebej izučeni in preverjeni varilci. Na primer: tlačni kotli, tirnice, obešalne naprave prikolic, itd.
- Pozor: ozemljitven prižemnik vedno priključujte kar se da najbližje k varilnemu mestu, tako, da tok varjenja lahko poteka po najkrajši možni poti od elektrode k ozemljitvenemu prižemniku. Nikoli ne priključujte ozemljitvenega prižemnika skupaj s trupom varilnega agregata! Nikoli ne priključujte ozemljitvenega prižemnika na ozemljene dele, ki so prevec oddaljeni od obdelovanca, npr. navodovodno cev v drugem kotu prostora. Lahko pride do poškodbe sistem zaščitne napeljave v prostoru, kjer se vari.
- Zaščita priključkov k omrežni vtinici mora odgovarjati predpisom (VDE 0100). Zaščitni kontakti vtinic morajo biti zaščiteni (z varovalkami ali zaščitnimi stikali napeljave) z maks. 16A (Vrste in tehnični podatki: RT14-20, O/ 10 x 38, AC 400 V 16A. IEC 60269. Manj aktivni. Proizvajalec: Chint). Mocnejše varovanje lahko povzroci požar napeljave, oziroma poškodbo zgradbe.
- Varilna naprava in električno ožičenje morata biti pravilno povezana. Vsaka možnost električnega udara lahko ogrozi življenje.
- Zagotovite dobre povezave za držalo in tudi priključno sponko za ozemljitev.
- Preprecite poškodbe električnih kablov in jih ne vlecite. Pred premikanjem varilne naprave prekinite povezave kablov. Preprecite stik z električnim prevodnim delom varilne naprave, držalom in priključno sponko za ozemljitev.
- Omrežna napetost mora ustrezati vrednosti, ki je označena na ploščici s tehničnimi podatki stroju.
- Menjava kablov ali vticev: Stare kable in vtice nemudoma zavržite, takoj ko ste jih zamenjali z novimi. Vstaviti vtac zrahljanega kabla v vtinico je nevarno.
- Za vse varilne naprave, ki delujejo na 230 voltov, uporabljajte vsaj talilni vložek 16A.
- Uporaba podaljškov: Uporabljajte le podaljške z ustreznim potrdilom, ki ustrezajo moci stroja. Najmanjši premer jedra je 1,5 mm<sup>2</sup>. Če uporabljate podaljšek na motku, vedno letega odvijte do konca.
- Dela, ki se nanašajo na električno napetost, npr. kabli, vtikala, vtinice, itd. lahko izvajajo samo strokovni elektricarji.

### 3. Montažni dodatki



*Pred montažo dodatkov je treba vtac izvleci iz vtinice.*

#### Montaža stroja

- Varilno napravo instalirajte v suhem in čistem prostoru (kjer ni železnega praška, prahu in barv).
- Varilno napravo namestite na trdo in ravno podlago, vsaj 20 cm od stene.
- Varilno napravo zaščitite pred dežjem in močno sončno svetlobo.

#### Varilna maska

##### Slika 2

- Rocaj zdrsnite na masko, tako da se zaskoci.
- Lahko steklo (zaščitno steklo) namestite pred temno varilno steklo. Obe stekli zdrsnite pred odprtino.
- Stekli morata biti nameščeni, tako da preprecita prodor (škodljive) svetlobe v odprtino.
- Ko med varjenjem pogled na obdelovanca postane nezadosten, zamenjajte lahko

#### Električna varnost



*Stroj nemudoma izklopite:*

*Okvara v omrežnem vticu, napajalnem kابلu ali poškodbe kabla.*

- Defektno stikalo.
- Prisoten dim oziroma vonj po osmojeni izolaciji.



*Opozorilo! Vir varilne moci lahko povzroci motnje dobave električne energije drugim porabnikom, odvisno od pogojev omrežne napeljave na točki povezave. Če ste v kakršnihkoli dvomih v zvezi s tem, poiščite nasvet pri tehničnih delavcih s področja dobave električne energije.*

zaščitno steklo. Menjava temnega varilnega stekla predstavlja občutno večji strošek kot menjava lahkega zaščitnega stekla.

### Namestitev novih elektrod

Elektroda je sestavljena iz kovinskega jedra, ki ga obdaja prevleka. Na enem koncu elektrode je jedro prekrito s prevleko.

- Pritisnite ročaj držala za elektrodo ob vzmet.
- Konec elektrode, ki nima prevleke (+/- 2 cm), namestite v držalo. Del, ki nima prevleke, mora vzpostaviti dober stik s kovinskim delom držala (elektroda se ne sme potisniti predalec v držalo).
- Sprostite ročaj. Elektroda je pritrjena.



*Pomni! Elektroda ne sme zgoreti na manj kot +/- 5 cm zaradi pregrevanja in/ali spremembe oblike držala. Zgorela elektroda se težko odstrani.*

### Odstranjevanje izrabljenih elektrod

Pritisnite ročaj držala ob vzmet, tako da zgorela elektroda pade iz držala.



*Pomni! Elektrode ne odstranite iz držala z roko. Elektroda je zelo vroča!*



*Pomni! Bodite pozorni na to, kam pade odpadna elektroda in preprečite nevarnost požara in poškodb.*

## 4. Obratovanje

### Pred uporabo:

- Splošne informacije o delovanju obločnega varjenja
- Elektroda
- Zaščitno oblačilo
- Zaščita za obraz
- Delovno okolje

### a. Splošne informacije o delovanju obločnega varjenja

Temperatura obloka se dvigne do približno 7000 °C, tako da se končni del elektrode in obdelovanec stalita. Dokler se ohranja oblok, elektroda tali in dobavlja potrebni varilni material na dele, ki se spajajo. Razdalja med elektrodo in obdelovancem mora biti cim krajša (približno 1,5 - 4 mm), odvisno od premera in vrste elektrode. Zahtevani tok za varjenje dobavlja varilna

naprava. Napetost, ki jo zahteva varilna naprava, je odvisna od vrste dela.

Elektroda mora biti popolnoma suha, saj lahko mokra povzroci težave. Če se elektroda med varjenjem prilepi na obdelovanca, je nastavljena jakost toka prenizka.

### b. Elektroda

- Elektroda je sestavljena iz kovinskega jedra, ki ga obdaja prevleka. Prevleka pomembno ščiti talino in prenaša kapljice ob kisiku in dušiku v okoliškem zraku. Elektroda se med varjenjem topi. Del prevleke izpari, tako da nastane zaščitni plinski ščit. Del prevleke plava na talini (je lažji od jekla) in tudi ščiti hladilni var. Po hlajenju prevleka postane trdna žilindra na zvarnem spoju, ki se enostavno odstrani.
- Z elektrodami delajte skrbno, tako da se prevleka ne zlomi. Elektrode morajo biti popolnoma suhe, torej jih skladiščite v suhem prostoru.
- Za dober in mocen zvarni spoj je pomembna uporaba pravilne elektrode. Univerzalna elektroda je v veliko primerih primerna za posamezna dela. Na embalaži elektrode je označeno, v katerih položajih se lahko izvaja varjenje (nad glavo, proti tlom itn.; pri tem se upošteva hitrost taljenja elektrode). Posamezne elektrode so v prosti prodaji za varjenje vrst nerjavečega jekla in litega železa. O nakupu primerne elektrode se posvetujte s prodajalcem.

### c. Zaščitno oblačilo

Oblecite enodelno oblačilo in s tem zmanjšate nevarnost opeklin zaradi ultravijoličnega sevanja ali pršenja kovine. Priporočamo enodelno delovno obleko (pajaca) iz bombaža, varilne rokavice in zaščitno oblačilo. Škropljenje ne sme koncati v rokavicah ali cvelih. Predpasnik za varjenje (usnje) prepreči, da bi gorenje in iskre poškodovali oblačilo.

### d. Zaščita za obraz

#### Slika 2

Uporabljajte dobro masko za varjenje z varilnim (temnim) steklom in zaščitnim steklom. Obe stekli morata biti pravilno nastavljeni (dobro pritrjeni in nepropustni za sončno svetlobo). Maska ščiti varilca pred sevanjem, vročino in varilnim škropljenjem, ki nastaja med postopkom varjenja. S tem se tudi ublaži vdihavanje varilnih hlapov.



Nevidni ultravijolični žarki povzročajo tako imenovan »varilni blisk«. Tonastane po dveh sekundah gledanja v električni oblok. Preprecite učinke sevanja in visokih temperatur na obraz in druge izpostavljene dele telesa, kot so vrat in roke.

Zavarujte se pred nevarnimi učinki svetlobnega loka in osebe, ki ne delajo, naj se nahajajo v razdalji 15 m od svetlobnega loka.

Prav tako morajo biti osebe ali pomočniki, ki se nahajajo v bližini svetlobnega loka, obveščeni o nevarnostih in opremljeni s potrebnimi zaščitnimi pripomočki. Če je potrebno, se zgradijo zaščitne stene.

### e. Delovno okolje

- Zagotovite dobro zrčenje delovnega okolja. Pri varjenju se sproščajo plini, ki so nevarni za zdravje.
- Odstranite vse vnetljive predmete. Pri varjenju se iskri in nastajajo vroče kovine.
- Voda za hlajenje mora biti pripravljena v bližini delovnega mesta. Ne zapustite ravno zvarjenih (vročih) obdelovancev nenadzorovano v delovnem prostoru. Obdelovanca ohladite in šele nato zapustite delovno mesto. Zaščita pred sevanjem in opekljinami.
- Na delovnem mestu morajo biti nameščene table, na katerih je očitno prikazana nevarnost poškodbe oči "Pozor! Ne glejte v plamene!" Delovno mesto je nujno potrebno (če je le mogoče) osenciti tako, da se zaščitijo osebe, ki se nahajajo v bližini. Nepoklicane osebe se ne smejo nahajati v bližini varilnih del.
- V neposredni bližini stabilnih delovnih mest naj stene ne bodo svetle barve in bleščece. Okna se morajo zavarovati vsaj do višine glave in to proti prepuščanju in povratnemu zrcaljenju sevanja, npr. s primernim premazom.

### Uporaba

#### Slika 3

Nasvet: Pred začetkom varjenja težkih obdelovancev najprej preizkusite varjenje na poskusnem kosu.

- Obdelovanec mora biti čist: odstranite rjo, ostanke masti in barv.
- Z gumbom na sprednji strani varilne naprave nastavite zeleno jakost toka. Jakost toka je odvisna od obdelovanca in vrste elektrode.
- Namestite del elektrode brez prevleke v držalo

in povežite priključno sponko za ozemljitev na obdelovanca.

- Z glavnim stikalom vključite varilno napravo.
- Držite masko pred obrazom in premaknite konico elektrode preko obdelovanca tako, kot bi želeli prižgati vžigalico. To je najboljši način za začetek varilnega obloka. Obdelovanca ne udrihajte z elektrodo. Na ta način se poškoduje elektroda in prepreci oblikovanje varilnega obloka.
- Ko nastane varilni oblok, poskusite ohraniti enako razdaljo med konico elektrode in obdelovancem. Ohranite to razdaljo enako glede na premer elektrode. Torazdaljo poskusite med varjenjem ohraniti po najboljših močeh.
- Elektrodo premikajte s postopno vleko preko obdelovanca.
- Ohranite kot med elektrodo in obdelovancem med 60° in 70° v smeri premikanja.
- Ko nastane zvarni spoj, prekinite varilni oblok tako, da odstranite elektrodo z obdelovanca.
- Varilno napravo izključite.



*Pomni! Če pustite varilno napravo vključeno, lahko elektroda pride v stik (skozi delovni pult) z ozemljitvenim kablom in se varjenje spontano zažene.*

- Skladivom za čiščenje kotlovca odstranite žilindro z zvarnega spoja.



*Bodite pozorni na leteče kovinske dele. Vedno uporabljajte zaščitna očala.*

- Nikoli ne varite preko ostanke žindre: žindra ustvarja izolacijsko in onesnaženo plast in tako slabi var (tako imenovana žilindrin vkljucek).
- Skovinsko krtaco očistite var.



*Pomni! Obdelovanec je še vedno zelo vroc. Vrocega obdelovanca ne pustite nenadzorovano.*

### Svetlobni kazalnik temperature Slika 1

Ko postane temperatura varilne naprave previsoka, se vgrajeni termostat izključi (svetlobni kazalnik se vklopi). Vgrajeni ventilator ohladi stroj. Po ohladitvi svetlobni kazalnik ponovno ugasne.

Pustite stroj, da se ohladi; z intenzivnim varjenjem se lahko po nekaj minutah toplotni izklop ponovno sproži.

## 5. Servis & vzdrževanje



*Preden se lotite vzdrževalnih del na mehanskih delih, se prepričajte, da ste orodje izklopili iz elektricnega omrežja.*

Stroji so narejeni tako, da delujejo dolgo in potrebujejo le malo vzdrževanja. Konstantno dobro delovanje je pogojeno s pravilno nego stroja in rednim čiščenjem.

### Napake

Možni vzroki in rešitve v primeru nepravilnega delovanja stroja:

### Varilna naprava ne deluje.

- Priključna sponka za ozemljitev ni v dobrem stiku z obdelovancem.
- Elektroda ni pravilno nameščena v držalo.
- Toplotni izklop je izključen.
- Defektna varovalka (merilna škatla), ali je bila toplotna zaščita ožgana.
- Kabel je poškodovan.
- Stikalo je v okvari/poklicite zastopnika.

### Elektroda se stalno »lepi« na obdelovanca.

- Uporabite pravilno vrsto elektrode (univerzalno).
- Jakost toka je previsoka/gumb 3 zavrtite v smeri urnega kazalca.

### Elektroda je oranžno rdeca.

- Jakost toka je previsoka za to vrsto elektrode/gumb 3 zavrtite v nasprotni smeri urnega kazalca.

### Elektroda med varjenjem prekomerno prši in ustvarja veliko hrupa.

- Jakost toka je previsoka/gumb 3 zavrtite v nasprotni smeri urnega kazalca.

### Vzrok/rešitev

**Stroj je prevroc; svetlobni kazalnik sveti.**

### Vzrok/rešitev

- Ventilacijske reže so blokirane/ocistite reže s suho krpo; počakajte nekaj minut, da ponovno zasveti svetlobni kazalnik.



*Popravila opravi usposobljeni tehnik oz. pooblaščen servis.*

### Vzdrževanje

- Na ventilacijskih režah ne sme biti prahu in

umazanije. Z mehko krpo, ki ste jo namočili v milnico, s stroja ocistite trdovratno umazanijo. Ne uporabljajte topil, kot so petrolej, alkohol, salmiak tn.

- Držalo za elektrode in priključna sponka za ozemljitev ne smeta korodirati, tako da lahko še naprej ustvarjata dober električni stik.
- Redno pregledujte, ali so kabli varjenja in obdelovanca varno povezani.

### Mazanje

Naprava ne potrebuje dodatnega mazanja.

### Okvare

V primeru okvare, t.j. obrabe posameznega dela, poklicite servisno službo. Naslov je označen na garancijskem listu. Na zadnji strani tega priročnika je povečan prikaz posameznih delov, ki jih lahko narocite.

### Okolje

Orodje transportiramo v krepki embalaži da ga zavarujemo pred poškodbami. Vecino embalaže je mogoče reciklirati zato jo odnesi na zbirališče takšnih odpadkov oz. v za to namenjen kontejner, da bo reciklirana.



*Vadný a nebo vyhozený elektrický či elektronický přístroj musí být dodán na příslušné recyklační míst.*

### Garancija

Garancijski pogoji so opisani na priloženem garancijskem listu.

## SPAWARKA

Liczby w tekście odnoszą się do schematów na stronach 2. + 109.



Zuwagi na bezpieczeństwo własne oraz innych osób przed użyciem pilarki należy dokładnie zapoznać się z instrukcją obsługi. Instrukcja obsługi oraz dokumentacja powinny być przechowywane wraz z urządzeniem.

### Wstęp

Spawanie stanowi proces polegający na roztopieniu obrabianego materiału pod wpływem gorąca. Przy spawaniu łukiem elektrycznym wykorzystywane są materiały spawalnicze (elektrody). Po zastygnięciu materiału powstaje spaw. Wymagane ciepło uzyskiwane jest poprzez wytworzenie i utrzymanie łuku elektrycznego pomiędzy elektroda a obrabianym materiałem. Proces spawania wymaga wysokiego natężenia prądu (40-100 A) przy stosunkowo niskim napięciu (10–48 V). Zamontowany w spawarce transformator zapewnia obniżenie napięcia sieciowego (230 V).

Agregat nie jest przeznaczony do stosowania w drobnym przemyśle!

### Spis treści

1. Informacje dotyczące urządzenia
2. Instrukcje bezpieczeństwa
3. Zakładanie akcesoriów
4. Obsługa
5. Serwis i konserwacja

## 1. Informacje dotyczące

### Dane techniczne

Napięcie	230 V ~
Częstotliwość	50 Hz
Moc spawania	40-100 A
Napięcie zapłonu	≈48 V
Grubość elektrody	1,6 - 2,5 mm
Ciezar	13,2 kg
Wymiary	290x195x170 mm
Ochrona termiczna	100°C ± 5°C
Elektryczny kabel	H07RN-F, 3G x 1,5 mm <sup>2</sup>
Kabel spawalniczy	H01N2-D1 x 10 mm <sup>2</sup>

### Zawartość opakowania

- 1 Spawarka
- 1 Maski spawalnicza
- 1 Szczotka druciana/młotek do czyszczenia
- 12 Elektrody (2 mm)
- 1 Instrukcja obsługi
- 1 Instrukcje bezpieczeństwa
- 1 Karta gwarancyjna

Należy sprawdzić urządzenie, części luzem oraz akcesoria pod kątem uszkodzeń w czasie transportu.

### Informacje dotyczące produktu

#### Rys. 1

1. Lampka wskaźnika temperatury
2. Wylącznik
3. Pokrętko regulacji natężenia prądu
4. Kabel spawalniczy z uchwytem do elektrod
5. Kabel uziemiający z uchwytem
6. Nakrywka gumowa
7. Uchwyt
8. Otwory wentylacyjne
9. Szczotka druciana / młotek do czyszczenia
10. Maski spawalnicza
11. Elektrody

Ø elektrody (mm)	Natężenie prądu (A)	Odpowiednie miedzy innymi dla następujących prac:
1,6	45-55	Grubość materiału <sup>2</sup> 2 mm Naprawa motorowerów/rowerów
2	50-75	Grubość materiału 2-3 mm Naprawa stojaków i wieszaków
2,5	70-100	Grubość materiału 4-5 mm Płoty i wyposażenie ogrodowe
3,2	95-150	Grubość materiału 6-7 mm Wiaty, garaże
4	130-220	Grubość materiału 8-12 mm Elementy budowlane (ciężkie)
5	190-250	Grubość materiału <sup>3</sup> 12 mm Elementy budowlane (bardzo ciężkie)

## 2. Instrukcje bezpieczeństwa

### Objasnienie symboli



Uwaga! Przeczytaj instrukcję



Wrazie nie przestrzegania danej instrukcji obsługi może powstać ryzyko zranienia oraz zginiecia personelu lub uszkodzenia narzędzia.



Wskazuje na niebezpieczeństwo porażenia prądem elektrycznym.



Styk (wtyczkę) odłączyć od głównego przewodu.



Obserwatorzy powinni się znajdować w oddaleniu.



Bronia w stosunku do deszczu.



Nosic okulary ochronne oraz ochraniać uszy.



Nosic rękawiczki ochronne.



Podczas spawania zawsze używać maski spawalniczej



Nosic odzież ochronna

**EN60974-6** Norma dotycząca spawalniczych źródeł energii do recznego spawania łukowego o ograniczonym czasie obciążenia.



Uchwyt do elektrod



Koncówka uziemienia



Topienie 16A



Napięcie spadkowe



Transformator jednofazowy



Obwód zasilający, liczba faz (np. 1 lub 3), symbol prądu przemiennego oraz częstotliwość znamionowa (np. 50 Hz lub 60 Hz)



Średnica elektrody

$I_{eff}^{1}$  maksymalne efektywne natężenie prądu zasilającego

$I_2$  Natężenie prądu wtórnego w Amperach

●●● Maksymalny znamionowy czas spawania w trybie przerywanym

— Maksymalny znamionowy czas spawania w trybie ciągłym

**IP21S** Skłasa ochrony. Uszczelka zapobiegająca przedostawaniu się przedmiotów do 12 mm oraz kapiacej z góry wody. Zatrzymanie z kontrola wody.

**H** Klasa izolacji

$U_0$  Napięcie początkowe w Voltach

$U_1$  Napięcie zasilania w Voltach

$U_2$  Wartości napięcia konwencjonalnego obciążenia

Klasyfikacja EMC wg normy IEC 60974-10

### Ogólne instrukcje bezpieczeństwa dotyczące urządzeń spawalniczych

- Ryzyko porażenia elektrycznego: porażenie elektryczne wywołane elektrodą spawalniczą może być śmiertelne. Nie wolno spawać przy padającym deszczu lub śniegu. Należy zawsze spawać w suchych rękawicach z izolacją. Nie dotykać elektrody gołymi dłońmi. Nie nosić mokrych lub uszkodzonych rękawic. Zabezpieczyć się przed porażeniem elektrycznym poprzez odizolowanie ciała od miejsca pracy. Nie otwierać obudowy urządzenia.
- Ryzyko spowodowane oparami powstającymi w trakcie spawania: wdychanie oparów spawalniczych może być niebezpieczne dla zdrowia. Nie narażać twarzy na bezpośredni kontakt z oparami. Urządzenie należy używać na otwartej przestrzeni. Stosować wyciąg wentylacyjny do odprowadzania oparów.
- Ryzyko spowodowane iskrami: iskry powstające podczas spawania mogą spowodować wybuch lub pożar. Odsunąć wszelkie łatwopalne przedmioty od strefy spawania. Nie spawać w pobliżu palnych

materiałów. Iskry powstające podczas spawania mogą spowodować pożar.

Przygotować gaśnicę i zapewnić sobie asystę drugiej osoby, która może pomóc w gaszeniu ognia. Nie spawać na szpulach ani żadnych zamkniętych pojemnikach.

- Ryzyko spowodowane przez łuk elektryczny: promienie łuku elektrycznego mogą spowodować poparzenie oczu i skóry. Nosić czapkę i okulary ochronne. Używać słuchawek zabezpieczających i odzieży zapinanej na guziki. Używać maskę spawalniczą z odpowiednim filtrem. Nosić wszystkie środki ochrony osobistej.
- Ryzyko spowodowane polem elektromagnetycznym: prąd spawalniczy generuje pole elektromagnetyczne. Osoby, które noszą implanty medyczne nie mogą spawać. Nigdy nie owijać przewodów spawalniczych wokół ciała. Prowadzić przewody spawalnicze razem.
- Użytkownik urządzenia musi znać zasady jego funkcjonowania i obsługi.
- Otoczenie robocze powinno być dobrze oświetlone i uprzątnięte.
- Przed przystąpieniem do jakichkolwiek prac konserwacyjnych należy wyłączyć urządzenie z prądu.
- Przed pozostawieniem urządzenia bez nadzoru należy wyjąć wtyczkę z gniazdka.
- Nie używać urządzenia, jeśli nie zostało w pełni zmontowane i zainstalowane w sposób opisany w niniejszej instrukcji. Szczegółowe instrukcje bezpieczeństwa dotyczące urządzeń spawalniczych
- Spawanie może powodować powstawanie iskier i nagrzewanie metalu. Należy zawsze pamiętać o niebezpieczeństwie pożaru i usunąć z otoczenia roboczego wszelkiego rodzaju materiały łatwopalne.
- Otoczenie robocze powinno posiadać dobrą wentylację. Podczas spawania wydzielają się gazy niebezpieczne dla ludzkiego zdrowia.
- Nie należy spawać zbiorników lub rur, w których znajdują się lub znajdowały ciecze lub gazy łatwopalne (niebezpieczeństwo pożaru lub eksplozji).
- Nie należy spawać materiałów, które były czyszczone cieczami łatwopalnymi oraz posiadającymi pomalowaną powierzchnie (niebezpieczeństwo wydzielania niebezpiecznych gazów).
- Nie należy pracować w otoczeniu wilgotnym lub mokrym oraz na deszczu.
- Zawsze chronić oczy za pomocą dostarczonej wraz z urządzeniem maski spawalniczej.
- Używać suchych, nie nasączonych olejem lub zabrudzonych rekawic i odzieży ochronnej.
- Powstający zuzel może być gorący i spowodować poważne uszkodzenie oczu podczas prób jego usuwania. Należy zawsze nosić okulary i rekawice ochronne.
- Podczas spawania powstaje promieniowanie ultrafioletowe, które może poparzyć skórę. Wzwiązku z powyższym należy zawsze nosić odpowiednią odzież ochronną.
- Spawarka jest zabezpieczona przed przegrzaniem. W przypadku przegrzania urządzenie automatycznie wyłączy się. Urządzenie automatycznie włączy się po schłodzeniu.
- Podczas spawania i chłodzenia obrabiany materiał może ulec deformacji z powodu istniejących naprężeń. Należy zawsze o tym pamiętać.
- Można używać wyłącznie przewodów spawalniczych, które wchodzi w zakres dostawy (O/ 10 mm<sup>2</sup> przewody spawalnicze chronione gumą).
- W pomieszczeniach z zagrożeniem pożarem lub wybuchem obowiązują specjalne przepisy.
- Złącza spawane, które są poddane dużemu obciążeniu, a które powinny spełniać stosowne warunki bezpieczeństwa, może wykonywać wyłącznie specjalnie wyszkolony i doświadczony spawacz. Na przykład: kotły ciśnieniowe, szyny, urządzenia zaczepowe przyczep itd.
- Uwaga: spinacz uziemiający należy przyłączyć zawsze jak najbliżej miejsca spawanego, tak żeby prąd do spawania miał jak najkrótszą drogę od elektrody do spinacza uziemiającego. Nigdy nie wolno przyłączyć spinacza uziemiającego do korpusu agregatu spawalniczego! Nigdy nie wolno przyłączyć spinacza uziemiającego do części uziemionych, które są zbyt oddalone od elementu spawanego, np. do rurociągu w odległym rogu pomieszczenia. W przeciwnym razie może dojść do uszkodzenia systemu ochronnego w pomieszczeniu, w którym przebiega spawanie. Zabezpieczenie łączy do gniazdka sieciowego musi odpowiadać przepisom (VDE 0100). Ochronne styki wtyczkowe muszą być zabezpieczone (bezpiecznikami lub ochronnymi łącznikami przewodów) z maks. 16A (Typy i dane techniczne: RT14-20, O/ 10 x 38, AC 400

V16A. IEC 60269. Mało aktywne. Producent: Chint). Nadmierne zabezpieczenie może spowodować spalenie przewodów, ewent. uszkodzenie pomieszczenia.

## Bezpieczeństwo elektryczne



*Należy natychmiast wyłączyć urządzenie w następujących przypadkach:  
Uszkodzenie gniazdka sieciowego, wtyczki lub kabla zasilającego.*

- Uszkodzenie wyłącznika.
- Widoczny jest dym lub czuć zapach spalenizny pochodzący z izolacji.



*waga! W zależności od stanu sieci zasilania w miejscu podłączenia spawarki może dojść do zakłóceń w dostawie energii elektrycznej do innych użytkownik. W razie jakichkolwiek wątpliwości co do powyższej kwestii należy zasięgnąć opinii u dostawcy energii elektrycznej.*

- Należy zawsze upewnić się, że elektryczne podłączenia urządzenia zostały wykonane prawidłowo. Porażenie prądem elektrycznym stanowi niebezpieczeństwo dla ludzkiego życia.
- Należy zawsze zapewnić prawidłowe podłączenie uchwytu do elektrod oraz końcówki uziemienia.
- Nie ciągnąć za kable elektryczne, gdyż może to spowodować ich uszkodzenie. Przed przenoszeniem spawarki należy odłączyć kable.
- Należy unikać kontaktu z przewodzącymi prąd elementami spawarki, uchwytem do elektrod oraz końcówką uziemienia.
- Należy zawsze upewnić się, że napięcie zasilania odpowiada napięciu wskazanemu na tabliczce znamionowej urządzenia.
- Wymiana kabli lub wtyczek: Zużyte przewody i wtyczki powinny zostać wyrzucone natychmiast po dokonaniu wymiany. Włożenie poluzowanej wtyczki do gniazdka sieciowego jest niebezpieczne.
- We wszystkich urządzeniach spawalniczych o napięciu 230 Volt powinny być używane bezpieczniki o najmniej 16-ampere.
- Jeżeli używane są przedłużacze: Należy używać wyłącznie przedłużacza przeznaczonego do pracy z urządzeniami o takiej mocy. Rdzeń (żyła) przewodu musi

posiadać średnicę co najmniej 1,5 mm<sup>2</sup>. Jeżeli używany jest przedłużacz bebnowy, kabel powinien zostać w pełni rozwinięty.

- Prace związane z napięciem sieciowym, np. na przewodach, wtyczkach, gniaздkach itd. może wykonywać wyłącznie wykwalifikowany elektryk.

## 3. Zakładanie akcesoriów



*Przed przystąpieniem do zakładania akcesoriów upewnić się, że wtyczka została wyjęta z gniazdka.*

### Instalacja urządzenia

- Urządzenie powinno być instalowane w miejscu suchym i czystym (wolnym od opiłków żelaza, brudu i farby).
- Urządzenie powinno zostać ustawione na stabilnej, płaskiej powierzchni, w odległości co najmniej 20 cm od ściany.
- Urządzenie powinno być zabezpieczone przed działaniem deszczu oraz silnego światła słonecznego.

### Maska spawalnicza

#### Rys. 2

- Przesunąć uchwyt maski spawalniczej aż do zablokowania.
- Umieścić jasne szkło (ochronne) przed szkłem ciemnym. Przesunąć oba szkła ochronne, tak aby znajdowały się w otworze.
- Upewnić się, że szkła ochronne znajdują się w położeniu zapewniającym brak dostępu światła przez otwór.
- Jasne szkło zabezpieczające powinno zostać wymienione, kiedy widok obrabianego materiału podczas pracy nie jest wystarczający. Wymiana ciemnego szkła ochronnego jest o wiele bardziej kosztowna niż jasnego szkła ochronnego.

### Zakładanie nowych elektrod

Elektroda składa się z żyły metalowej pokrytej odpowiednią powłoką. Na zakończeniu elektrody żyła nie jest pokryta powłoką.

- Docisnąć uchwyt do elektrod w kierunku sprężyny.
- Umieścić elektrodę z odsłoniętą końcówką (+/- 2 cm) w uchwycie do elektrod. Upewnić się, że odsłonięta końcówka elektrody pozostaje w kontakcie z metalowym elementem uchwytu do elektrod (elektroda nie powinna być

wsunięta do uchwytu zbyt daleko).

- Zwolnic uchwyt. Elektroda jest założona.



**UWAGA!** Nie wolno dopuścić, aby elektroda ulegała spalaniu w odległości mniejszej niż +/- 5 cm od uchwytu ze względu na niebezpieczeństwo jego rozgrzania i deformacji. Spalona elektroda może wówczas być trudna do usunięcia.

### Wymywanie zużytych elektrod

Docisnąć uchwyt do elektrod w kierunku sprężyny, tak aby zużyta elektroda mogła wypaść z uchwytu.



**UWAGA!** Nie należy wymywać elektrody z uchwytu ręką. Elektroda jest bardzo gorąca!



**UWAGA!** Pilnować, gdzie spada elektroda usuwana z uchwytu, aby uniknąć niebezpieczeństwa pożaru lub poparzenia.

## 4. Obsługa

### Przed przystąpieniem do pracy:

- Informacje ogólne dotyczące spawania łukiem elektrycznym
- Elektroda
- Odzież ochronna
- Ochrona twarzy
- Otoczenie robocze

### a. Informacje ogólne dotyczące spawania łukiem elektrycznym

Temperatura łuku elektrycznego wynosi ok. 7000°C, dzięki czemu końcówka elektrody oraz spawany element topią się. Tak długo jak tylko łuk elektryczny jest utrzymywany, elektroda topi się i dostarcza niezbędnego materiału spawalniczego, umożliwiającego połączenie elementów. Odległość pomiędzy elektrodą a spawanym elementem musi być jak najmniejsza (ok. 1,5 - 4 mm), w zależności od średnicy i typu elektrody. Prąd niezbędny do spawania dostarczany jest przez spawarkę. Moc pobierana przez spawarkę zależy od rodzaju wykonywanej pracy. Należy upewnić się, że elektrody są całkowicie suche, ponieważ ich zawilgocenie może spowodować problemy. Jeżeli elektroda przywiera do spawanego elementu podczas spawania, oznacza to, że natężenie prądu jest zbyt niskie.

### b. Elektroda

- Elektroda składa się z żyły metalowej pokrytej odpowiednią powłoką. Powłoka ma na celu zabezpieczenie jeziorka spawalniczego i kropelek przed działaniem tlenu i azotu, znajdujących się w otaczającym powietrzu. Podczas spawania elektroda topi się. Część powłoki odparowuje, co powoduje powstanie ochronnej warstewki gazu. Część powłoki unosi się na powierzchni jeziorka spawalniczego (jest ona lżejsza od stali), chroniąc spoinę ulegającą schłodzeniu. Po schłodzeniu powłoka zamienia się w łatwą do usunięcia warstwę stałą na powierzchni spoiny.
- Z elektrodami należy obchodzić się ostrożnie, aby nie spowodować uszkodzenia powłoki. Elektrody powinny pozostawać suche, należy więc przechowywać je w miejscu zabezpieczonym przed wilgocią.
- W celu uzyskania wysokiej jakości, silnej spoiny bardzo ważne jest zastosowanie odpowiedniej elektrody. W większości przypadków do wykonywanej pracy wystarczy elektroda uniwersalna. Na opakowaniu elektrod znajdują się informacje dotyczące pozycji, w jakich można wykonywać spawanie przy użyciu danej elektrody (nad głową, w dół itd.), w zależności od predkości jej topienia. W handlu dostępne są specjalne rodzaje elektrod przeznaczone do spawania różnych rodzajów stali nierdzewnej i zeliwa. Przy zakupie elektrody można zawsze zasięgnąć opinii sprzedawcy.

### c. Odzież ochronna

Należy nosić odpowiednią odzież ochronną, zabezpieczającą przed poparzeniem skóry spowodowanym promieniowaniem ultrafioletowym lub gorącymi rozpryskami metalu. Zalecane jest noszenie bawełnianego kombinezonu, rękawic spawalniczych i obuwia ochronnego. Należy upewnić się, że rozpryski nie mogą przedostać się do rękawic lub butów. Skórzany fartuch spawalniczy zapobiega poparzeniom oraz uszkodzeniu kombinezonu przez iskry.

### d. Ochrona twarzy

#### Rys. 2

Należy używać odpowiedniej maski spawalniczej z ciemnym i jasnym szkłem ochronnym. Upewnić się, że oba szkła ochronne zostały

właściwie założone (dobrze zamocowane i nie przepuszczające światła). Maską spawalniczą zabezpiecza przed promieniowaniem, goracem i rozpryskami powstającymi podczas spawania. Umożliwia także ograniczenie wdychania oparów. Niewidoczne promieniowanie ultrafioletowe może spowodować tzw. "ślepotę spawacza". Pojawia się ona już po kilku sekundach patrzenia gołym okiem na łuk elektryczny.

Należy zawsze pamiętać o odpowiednim zabezpieczeniu twarzy i innych odsłoniętych części ciała, takich jak kark i ramiona, przed działaniem promieniowania i wysokiej temperatury.

Chronić przed niebezpiecznymi efektami łuku elektrycznego i utrzymywać w bezpiecznej odległości co najmniej 15 m od łuku elektrycznego osoby, które nie biorą udziału w pracy. Również osoby lub pomocnicy znajdujący się w pobliżu łuku elektrycznego powinni być zaznajomieni z zagrożeniem i wyposażeni w potrzebne pomoce ochronne. W razie potrzeby ustawić ściany ochronne.

#### e. Otoczenie robocze

- Otoczenie robocze powinno posiadać dobrą wentylację. Podczas spawania wydzielają się gazy niebezpieczne dla ludzkiego zdrowia.
- Z otoczenia roboczego należy usunąć wszelkie przedmioty łatwopalne. Spawanie może powodować powstawanie iskier i nagrzewanie metalu.
- Upewnić się, że w pobliżu miejsca pracy znajduje się dostęp do zimnej wody. Nie pozostawiać dopiero co spawanych (gorących) elementów bez nadzoru. Przed opuszczeniem miejsca pracy należy schłodzić spawane elementy.

#### Ochrona przed promieniowaniem i poparzeniem.

- Na stanowisku pracy muszą być umieszczone tablice zwracające uwagę na niebezpieczeństwo uszkodzenia wzroku "Uwaga! Nie patrzeć na płomień!" Stanowisko pracy należy w miarę możliwości osłonić tak, aby chronić osoby, które znajdują się w pobliżu. Niepowołane osoby powinny oddalić się od prac spawalniczych.
- W bezpośredniej bliskości stanowisk spawalniczych ściany powinny być jasnokolorowe z połyskiem. Okna powinny

być zabezpieczone przeciw przepuszczaniu lub odzwierciedlaniu promieniowania, na przykład odpowiednim lakierem na wysokość głowy.

#### Rozpoczęcie pracy

##### Rys. 3

Porada: Przed rozpoczęciem spawania o trudnym charakterze należy wykonać spawanie próbne na niewielkim kawałku materiału.

- Zapewnić czystość w miejscu pracy: usunąć pozostałości rdzy, smarów lub farb.
- Ustawić wymagane nateżenie prądu za pomocą pokrętki regulacyjnego urządzenia. Właściwe ustawienie nateżenia prądu zależy od spawanego przedmiotu oraz rodzaju wykorzystywanej elektrody.
- Umieścić część elektrody bez powłoki w uchwycie do elektrod i podłączyć do spawanego elementu końcówkę uziemienia.
- Włączyć spawarkę za pomocą wyłącznika głównego.
- Trzymając maskę spawalniczą przed twarzą, poprowadzić końcówkę elektrody wzdłuż spawanego elementu, tak jak przy zapalaniu zapalniczki. Jest to najlepszy sposób wytworzenia łuku elektrycznego. Nie uderzać elektrodą o spawany element. Spowoduje to uszkodzenie elektrody i nie pozwoli na wytworzenie łuku elektrycznego.
- Po wytworzeniu łuku elektrycznego należy natychmiast odsunąć końcówkę elektrody na odpowiednią, stałą odległość od spawanego elementu. Odległość ta powinna być równa średnicy elektrody. Podczas całego spawania należy starać się zachować tę odległość.
- Stopniowo przesuwając elektrodę nad spawanym elementem.
- Kąt pomiędzy elektrodą a spawanym elementem powinien stale wynosić 60° do 70° w stosunku do kierunku ruchu.
- Kiedy spoina została wykonana, złamać łuk elektryczny, oddalając elektrodę od spawanego elementu.
- Wyłączyć spawarkę.



**UWAGA:** Pozostawienie urządzenia włączonego może spowodować, że elektrodą wejdzie w kontakt (poprzez stół roboczy) z kablem uziemiającym i nieoczekiwane rozpoczęcie spawania.

- Usunąć żuzel ze spoiny posługując się



miotkiem dostarczonym wraz z urządzeniem. Uwazać na odpadające, gorące kawałki metalu. Należy zawsze nosić okulary ochronne.

- Nie należy nigdy spawac nad zużłem: stanowi on warstwę izolacyjną i zanieczyszczająca, co powoduje osłabienie spoiny (tzw. wtarcenie zużłowe).
- Oczyszczyć spoinę za pomocą szczotki drucianej.



**UWAGA:** Spawany przedmiot jest wciąż bardzo gorący. Nie należy pozostawiać go bez nadzoru.

### Lampka wskaźnika temperatury

#### Rys. 1

Jezeli temperatura spawarki będzie zbyt wysoka, wbudowany termostat spowoduje wyłączenie urządzenia (lampka zapali się). Wbudowany wentylator schłodzi urządzenie. Po schłodzeniu lampka ponownie zgasnie. Należy zaczekać na odpowiednie schłodzenie urządzenia; przy intensywnym spawaniu możliwe jest, że automatyczne wyłączenie nastąpi po kolejnych kilku minutach.

## 5. Serwis i konserwacja



*Przed przystąpieniem do konserwacji silnika, sprawdź czy wtyczka jest odłączona od sieci.*

Urządzenia zaprojektowano tak, aby działały bezproblemowo przez długi czas i wymagały konserwacji jedynie w niewielkim zakresie. Stałe poprawne działanie urządzenia zależy od jego właściwej konserwacji i regularnego czyszczenia.

### Nieprawidłowości

Jezeli urządzenie nie działa prawidłowo, należy sprawdzić, czy nie zaistniała jedna z poniższych sytuacji, których rozwiązania zamieszczono poniżej:

Naprawy i prace serwisowe powinny być wykonywane jedynie przez osoby posiadające odpowiednie kwalifikacje lub firmy serwisowe.

### Spawarka nie działa

- Koncówka uziemienia nie posiada odpowiedniego kontaktu ze spawanym elementem

- Elektroda nie jest odpowiednio założona wuchwycie
- Układ automatycznego zabezpieczenia przed przegrzaniem wyłączony
- Uszkodzenie bezpiecznika (w obudowie miernika), lub przepalenie zabezpieczenia termicznego.
- Kabel jest przerwany
- Wyłącznik jest uszkodzony: należy skontaktować się z autoryzowanym serwisem

### Elektroda „przykleja się” do spawanego elementu

- Należy użyć odpowiedniego rodzaju elektrody (uniwersalnej)
- Napięcie prądu zbyt niskie: przekreślić pokrętkę 3 w kierunku zgodnym z ruchem wskazówek zegara

### Elektroda przybrała kolor pomarańczowo-czerwony

- Napięcie prądu jest zbyt wysokie dla tego rodzaju elektrody: przekreślić pokrętkę 3 w kierunku przeciwnym do ruchu wskazówek zegara

### Elektroda rozpryskuje się gwałtownie i powoduje duży hałas podczas spawania

- Napięcie prądu zbyt wysokie: przekreślić pokrętkę 3 w kierunku przeciwnym do ruchu wskazówek zegara

### Urządzenie jest przegrzane; świeci się lampka wskaźnika

- Otwory wentylacyjne zatkane: należy wyczyścić je suchą szmatką, a następnie poczekać kilka minut, aż lampka zgasnie



*Naprawy i prace serwisowe powinny być wykonywane jedynie przez osoby posiadające odpowiednie kwalifikacje lub firmy serwisowe.*

### Konserwacja

- Upewnić się, że otwory wentylacyjne są wolne od pyłu i brudu. Do usuwania zabrudzeń można użyć miękkiej szmatki nawilżonej wodą z mydłem. Nigdy nie należy używać rozpuszczalników, takich jak nafta, alkohol, woda amoniakalna itp.
- Upewnić się, że uchwyt do elektrod i końcówka uziemienia nie są skorodowane, aby kontakt elektryczny był właściwy.
- W regularnych odstępach czasu sprawdzać,

czy kabel sa odpowiednio podlaczone.

### Smarowanie

Urządzenie nie wymaga dodatkowego smarowania.

### Awarie

W przypadku wystąpienia awarii (n.p. zużycie części) należy skontaktować się z punktem serwisowym – adresy punktów serwisowych znajdują się na karcie gwarancyjnej. Na koncu niniejszej instrukcji zamieszczony został schemat części zamiennych, które mogą być zamawiane.

### Ochrona środowiska

Aby zapobiec uszkodzeniom w czasie transportu, urządzenie dostarczane jest w sztywnym opakowaniu składającym się głównie z materiałów nadających się do ponownego przetworzenia. Prosimy o skorzystanie z możliwości ponownego przetworzenia opakowania.



*Uszkodzone oraz /lub wybrakowane urządzenie elektryczne lub elektroniczne musi być utylizowane w odpowiedni sposób.*

### Gwarancja

Proszę zapoznać się z warunkami umowy gwarancyjnej zamieszczonymi na załączonej karcie gwarancyjnej.

## СВАРОЧНЫЙ АППАРАТ

**Цифровые обозначения в тексте относятся к изображениям на страницах 2 + 109**



*Для обеспечения собственной безопасности и безопасности других мы рекомендуем внимательно ознакомиться с данной инструкцией перед началом использования изделия. Не выбрасывайте данную инструкцию и другие прилагаемые к изделию документы для возможности их использования в будущем.*

### Введение

Процесс сварки плавлением используется для плавки обрабатываемого материала под действием подаваемого накала. Дуговая электросварка также производится с помощью сварочного материала (электродов). После застывания сварка считается завершенной. Необходимый накаливание достигается поддержанием электрической дуги между электродом и обрабатываемым материалом. Процесс сварки требует большой силы тока (40-100 А) и относительно низкого напряжения (10-48 В). Трансформатор в сварочном аппарате обеспечивает понижение основного напряжения (230 В).

Агрегат не предназначен для профессионального использования!

### Содержание

1. Информация об устройстве
2. Руководство по безопасности
3. Установка аксессуаров
4. Функционирование
5. Сервис и обслуживание

## 1. Информация об Устройстве

### Технические характеристики

Напряжение	230 В ~
Частота	50 Гц
Сила сварки	40-100 А
Напряжение запала	≤ 48 В
Толщина электрода	1.6 - 2.5 мм
Вес	13.2 кг
Размер	290x195x170 mm
Тепловая защита	100°C ± 5°C
Кабель магистрали	H07RN-F, 3G x 1.5 mm <sup>2</sup>
Сварочный кабель	H01N2-D1 x 10 mm <sup>2</sup>

**Содержимое упаковки**

- 1 Сварочный аппарат
- 1 Сварочная маска
- 1 Металлическая проволочная щетка / градационный молоточек
- 1 Руководство пользователя
- 1 Инструкция безопасности
- 1 Гарантийный талон

Убедитесь, что машина, незакрепленные детали и принадлежности не утеряны и не повреждены при транспортировке.

**Информаци об изделии**

**Рис. 1**

- 1. Лампа индикатора температуры
- 2. Кнопка вкл/выкл
- 3. Поворотная ручка для настройки силы тока
- 4. Сварочный кабель с держателем электрода
- 5. Кабель заземления с креплением
- 6. Резиновый наконечник
- 7. Ручка
- 8. Отверстия для вентиляции
- 9. Металлическая проволочная щетка / градационный молоточек
- 10. Сварочная маска
- 11. Электроды

**Таблица: Установка и использование**

Ø f Электрод (мм)	Сила тока (А)	Подходящий, среди других:
1.6	45-55	Толщина материала ≤ 2 мм Починка мопеда/велосипеда
2	50-75	Толщина материала 2-3 мм Починка настенной подставки
2.5	70-100	Толщина материала 4-5 мм Садовый забор, садовые безделушки
3.2	95-150	Толщина материала 6-7 мм Навес для автомобиля, гараж
4	130-220	Толщина материала 8-12 мм Конструкция (тяжелая)
5	190-250	Толщина материала ≥ 12 мм Конструкция (очень тяжелая)

руководства.



*Вероятность поражения электрическим током.*



*В случае повреждения провода немедленно выньте вилку из источника электропитания; отключайте вилку от источника электропитания и во время проведения техобслуживания.*



*Не позволяйте приближаться посторонним.*



*Не используйте во время дождя.*



*Надевайте средства защиты органов слуха и зрения.*



*Носите защитные перчатки.*



*При проведении сварочных работ всегда надевайте сварочную маску*



*Надевайте защитную одежду*

**EN60974-6** Стандарт для сварочных аппаратов ручной дуговой электросварки ограниченной мощности.



*Держатель электрода*



*Терминал заземления*



*Понижение напряжения*



*Однофазовый трансформатор*



*Цепь питания, количество фаз (например 1 или 3), символ переменного тока и номинальная частота (например 50 Гц или 60 Гц)*

**2. Руководство по Безопасности**

**Расшифровка обозначений**



**Внимание!** Прочитайте справочное руководство



*Риск повреждения инструмента и/или травм, смерти в случае несоблюдения инструкций данного*



Диаметр электрода



Плавка 16А

$I_{\text{эф}}$  Количество реально потребляемой энергии — максимально эффективный ток питания

$I^2$  Ампераж вторичной силы тока

Номинальное максимальное время сварки в переменном режиме

Номинальное максимальное время сварки в непрерывном режиме

**IP21S** SВид защиты. Запаянный, для предметов длиной до 12 мм и защищен от перпендикулярного падения воды. Задержка проверки воды.

**H** Вид изоляции

**U<sub>0</sub>** Значение открытого напряжения в Вольтах

**U<sub>1</sub>** Значение напряжения сети в вольтах

**U<sub>2</sub>** Значения условного напряжения нагрузки

Классификация EMC по стандарту МЭК 60974-10

### Общие инструкции безопасности для сварочных аппаратов

- Пользователь машины должен быть проинструктирован как использовать и управлять этой машиной.
- Обеспечьте хорошо освещенное и чистое рабочее помещение.
- Всегда вынимайте вилку из розетки перед проведением технического обслуживания машины.
- Вынимайте вилку из розетки, если вы отходите от машины.
- Не используйте машину, если она полностью не собрана и не установлена,

так как показано в руководстве.

### Специальные инструкции безопасности для сварочных аппаратов

- Риск поражения электрическим током: поражение электрическим током от электрода сварочного аппарата может привести к смерти. Запрещается выполнять сварочные работы в сырую погоду (например, во время дождя или снегопада). Надевайте сухие диэлектрические перчатки. Не касайтесь электрода голыми руками. Не используйте сырые или поврежденные перчатки. Для защиты от поражения электрическим током от рабочих деталей надевайте изолирующую спецодежду. Запрещается вскрывать корпус оборудования.
- Риск отравления сварочными газами: вдыхание сварочных газов опасно для вашего здоровья. Не приближайте голову к зоне выделения газов. Работайте с оборудованием на открытых площадках. Используйте вентилятор для удаление газов.
- Риск поражения искрами от сварки: искры от сварки могут стать причиной взрыва или пожара. Не оставляйте горючие и легковоспламеняющиеся вещества в зоне сварки. Не проводите сварку вблизи горючих и легковоспламеняющихся веществ. Искры от сварки могут стать причиной пожара. Рядом с зоной сварки обязательно должен быть огнетушитель и персонал, способный им воспользоваться. Запрещается проводить сварку на барабанах или любых других закрытых контейнерах.
- Риск поражения дуговым разрядом: дуговой разряд может обжечь глаза и повредить кожу. Надевайте специальный головной убор и защитные очки. Используйте средства защиты органов слуха и защитный воротник. Используйте сварочный шлем с соответствующим типом фильтра. Обязательно надевайте сварочный костюм.
- Риск поражения в электромагнитном поле: сварочный ток порождает электромагнитное поле. Запрещается работать людям с медицинскими имплантатами. Запрещается обматывать сварочные кабели вокруг тела. Всегда располагайте сварочные кабели вместе.

- Сварка сопровождается искрами и отделением горячего металла. Помните, что сварка огнеопасна, поэтому убирайте все легковоспламеняющиеся предметы с рабочего места.
- Обеспечьте хорошую вентиляцию рабочего помещения. Газы, освобожденные при сварке опасны для вашего здоровья.
- Не производите сварку контейнеров или труб которые содержат или содержали легковоспламеняющиеся жидкости или газы (опасность возникновения огня или взрыва).
- Не производите сварку материалов, которые чистились легковоспламеняющимися жидкостями или которые имеют крашенные поверхности (вероятность освобождения опасных газов).
- Не работайте в сыром или влажном помещении и не производите сварку под дождем.
- Всегда защищайте свои глаза поставляемой сварочной маской.
- Используйте перчатки и защитную одежду, сухую и не испачканную в масле или грязи.
- Освобожденный шлак иногда сильно накаляется и может вызвать серьезные повреждения глаз во время удаления. Всегда носите защитные очки и перчатки.
- Ультрафиолетовое излучение может сжечь вашу кожу во время сварки. Так что всегда носите подходящую защитную одежду.
- Ваш сварочный аппарат защищен от перегрузки. Таким образом, сварочный аппарат автоматически выключается, при перезагрузке. Сварочный аппарат автоматически включается после того, как он достаточно остынет.
- Во время сварки и охлаждения, ваш обрабатываемый материал может деформироваться из за вызванного напряжения. Всегда имейте это ввиду.
- Разрешается использовать только сварочные провода из комплекта поставки (сварочные провода Ø/ 10 мм<sup>2</sup> с резиновой изоляцией)
- В помещениях с опасностью пожара и взрыва действуют специальные нормы.
- Сварные соединения, подвергающиеся большой нагрузке и которые должны соответствовать определённым требованиям безопасности, должны исполняться только специально

обученными и опытными сварщиками. Например: напорные котлы, рельсы, прицепные устройства полуприцепов и т.д.

- Внимание: заземляющую клемму всегда подсоединяйте как можно ближе к месту сварки, при этом сварочный ток проходит наименьший путь от электрода к заземляющей клемме. Никогда не подключайте заземляющую клемму на корпус сварочного агрегата! Никогда не подключайте заземляющую клемму к заземленным деталям, которые слишком удалены от заготовки, напр. к водопроводной трубе в другом углу помещения. Это может привести к повреждению системы защитной проводки в помещении, где производятся работы.
- Защита подключений к розетке сети должна соответствовать нормам (VDE 0100). Предохранительные контакты розеток должны быть защищены (предохранителями или защитными выключателями проводки) с макс. силой тока 16А (Типы и технические данные: RT 14-20, O/ 10 x 38, AC 400 V 16A. IEC 60269. Мало активные. Производитель: Chint). Большие параметры предохранения могут привести к возгоранию проводки или повреждению здания.

### Электрическая безопасность



*Моментально выключайте машину если:*

- Обнаружен дефект в шнуре питания, сетевом штепселе, или поврежден кабель.
- Неисправный переключатель.
- Видно дым или слышно запах сгоревшего изоляционного материала.



*Предупреждение! В зависимости от состояния сети питания в точке подключения, сварочный источник питания может вызывать помехи по питанию других потребителей электроэнергии. Если этот вопрос вызывает сомнение, необходимо обратиться за консультацией на предприятие электроснабжения.*

- Убедитесь, что сварочный аппарат и кабели электропроводки проведены

должным образом. Любая вероятность удара электрического разряда может оказаться опасной для жизни.

- Всегда проверяйте качество проводки, как держателя электрода, так и зажима заземления.
- Следите чтобы не повредить электрические кабели из-за натяжения. Отключайте кабели при переноске сварочного аппарата.
- Избегайте контакта с частями сварочного аппарата, держателя электрода и зажима заземления, проводящих электричество.
- Всегда проверяйте соответствует ли напряжение сети значению изображенному на пластине машины.
- Замена кабелей или пробок: Выбрасывайте старые кабели или пробки, как только они были заменены новыми. Вставка бракованной кабельной пробки в гнездо пробки-опасно.
- Для всех сварочных аппаратов, работающих на 230 Вольт, используйте плавку как минимум в 16 Ампер
- Когда используется удлинительный провод: Используйте только утвержденные удлинительные провода, подходящие мощности машины. Основная часть должна иметь диаметр, как минимум 1.5 мм<sup>2</sup>. Полностью раскрутите провод, если он закручен на катушке.
- Работы на стороне сетевого напряжения, напр. с кабелями, вилками, розетками и т.д. должны производиться только квалифицированными электриками.

### 3. Установка аксессуаров



*Убедитесь, что пробка была удалена с гнезда пробки во время сборки аксессуаров.*

#### Установка машины

- Установите сварочный аппарат в сухом и чистом масле (без железной стружки, пыли и краски).
- Устанавливайте сварочный аппарат на твердую плоскую поверхность, не менее чем на 20 см от стены.
- Защищайте сварочный аппарат от дождя и прямых солнечных лучей.

#### Сварочная маска

Рис. 2

- Опускайте ручку на сварочной маске пока она не защелкнется.
- Вставьте световое стекло (защитное стекло) лицевой частью в темное сварочное стекло. Вставьте оба стекла в переднюю часть отверстия.
- Удостоверьтесь, что стекла установлены таким образом, что (вредное) излучение не попадает через отверстие.
- Замените светозащитное стекло, если видимость обрабатываемого материала становится недостаточной во время сварки. Производить замену темного сварочного стекла значительно дороже, замены светозащитного стекла.

#### Установка новых электродов

Электрод состоит из металлического основания на которое нанесено покрытие. На одном конце электрода на основание не нанесено покрытие.

- Нажмите зажим держателя электрода напротив пружины.
- Вставьте электрод оголенным концом ( $\pm 2$  см) в держатель электрода. Удостоверьтесь хороший ли контакт оголенной части электрода с металлической частью держателя (не вдавливайте электрод слишком далеко в держатель).
- Опустите ручку захвата. Электрод теперь зафиксирован.



*Замечание! Не позволяйте электроду сгорать короче, чем на  $\pm 5$  см из-за возможности перегрева или деформации держателя электрода. К тому же сгоревший электрод в этом случае будет сложно извлечь.*

#### Извлечение использованных электродов

Нажмите на захват держателя электрода против пружины, так, чтобы сгоревший электрод выпал из держателя.



*Замечание! Не извлекайте электрод из держателя руками. Электрод сильно нагревается!*



*Замечание! Следите за тем, куда выбрасываете использованный электрод, чтобы предотвратить опасность возникновения пожара*

или возможную травму.

## 4. Функционирование

### Перед использованием:

- Общая информация про дуговую электро сварку
- Электрод
- Защитная одежда
- Защита лица
- Рабочее помещение

### a. Общая информация про дуговую электро сварку

- Температура дуги равняется приблизительно  $7000^{\circ}\text{C}$  по-этому конец электрода и обрабатываемого материала сплавляются. Пока удерживается температура дуги, электрод будет плавиться и предоставлять сварочный материал для необходимого соединения частей. Расстояние между электродом и обрабатываемым материалом должно быть максимально маленьким (примерно 1.5 - 4 мм) в зависимости от диаметра и типа электрода. Ток необходимый для сварки предоставляется сварочным аппаратом. Сила необходимая для сварочного аппарата зависит от поставленной задачи.
- Убедитесь, что электроды совершенно сухие, поскольку влажные электроды вызывают проблемы. Если электрод прилипает во время сварки, значит установленная сила тока слишком маленькая.

### b. Электрод

- Электрод состоит из металлического основания, на которое нанесено покрытие. Покрытие имеет наибольшее значение защиты области сварки и преобразования капель кислорода и азота в окружающую атмосферу.
- Электрод сгорает во время сварки. Часть покрытия испаряется, таким образом появляется защитный газообразный щит.
- Часть покрытия лежит на поверхности области сварки ( оно легче, чем сталь ) и защищает остывающий сварной шов. После охлаждения, покрытие становится твердым и легко шлакуется на сваренном месте.

- Обращайтесь с электродами бережно, так чтобы не сорвать покрытие. Убедитесь, что электроды совершенно сухие, поэтому храните их во влагонепроницаемом месте.
- Очень важно использовать соответствующий электрод, чтобы создать хороший и прочный сварной шов. Универсальный электрод будет в большинстве случаев подходить для вашей работы.
- На упаковках электродов указывается в каких случаях и положениях можно использовать данные электроды (над головой, под собой, и т.д. подразумевая скорость сгорания электрода). Отдельные электроды доступны для приобретения и сварки различных типов нержавеющей стали и чугуна. Проконсультируйтесь с вашим поставщиком относительно подходящих электродов.

### c. Защитная одежда

Носите тщательно защищающую одежду, так, чтобы возможность ожога кожи ультрафиолетовой радиацией или брызгами частичек металла, была минимальной. Предпочтительно носите хлопковую одежду, перчатки для сварки и защитную обувь. Убедитесь, что брызги частиц сварки не попадут в перчатки или обувь. Фартук для сварки ( кожаный ) предотвращает попадание искр и частиц металла, и порчу одежды.

### d. Защита лица

#### Рис. 2

- Используйте хорошую маску для сварки с (темным) сварочным стеклом и защитным стеклом. Проверьте надежно ли установлены оба стекла (хорошо ли закреплены и не пропускают ли солнечных лучей).
- Сварочная маска защищает сварщика от радиации, жара и сварочных искр производящихся во время сварочного процесса. Это также уменьшает количество вдыхаемых сварочных испарений.
- Невидимые ультрафиолетовые лучи вызывают так называемые "вспышки сварщика". Это происходит после смотра на электрическую дугу на протяжении нескольких секунд. Избегайте действия этой радиации и высоких температур на лицо и другие открытые части тела, как,

например, шею и руки.

- Защитите глаза от опасного эффекта электрической дуги и удалите людей, не принимающих участие в работах, из зоны 15 м от электрической дуги.
- Также необходимо проинформировать помощников, находящихся вблизи электрической дуги об опасностях и предоставить им необходимые средства защиты. В случае необходимости устанавливаются защитные стены.

#### е. Рабочее помещение

- Обеспечьте хорошо проветриваемое рабочее помещение. Газы, испаряющиеся во время сварки опасны для вашего здоровья.
- Уберите все легковоспламеняющийся предметы из рабочего помещения. Сварка вызывает искры и брызги частичек горячего металла.
- Убедитесь, что холодная вода находится недалеко от рабочего места. Не оставляйте только что сваренный, (горячий) обрабатываемый материал без надзора на рабочем месте. Остудите обрабатываемый материал перед тем как покинуть рабочее место.

#### Защита от излучения и ожогов.

- На рабочем месте должны быть размещены таблички с информацией об опасности повреждения глаз «Внимание! Не смотреть на пламя!».
- Рабочее место необходимо отделить таким образом, чтобы были защищены находящиеся поблизости люди. Посторонние лица не должны находиться вблизи места проведения работ.
- В непосредственной близости от постоянных рабочих мест стены не должны быть светлого цвета или глянцевыми. Окна необходимо обработать, напр. походящей краской, не менее чем до уровня головы от прохождения или обратного отражения излучения.

#### Использование

##### Рис. 3

Совет: Перед началом сварки сложных обрабатываемых материалов лучше всего испытать сварку на пробном образце.

- Обеспечьте чистое рабочее место: уберите

ржавчину, жир и остатки краски.

- Установите необходимую силу тока используя ручку на лицевой части сварочного аппарата. Выбор силы тока зависит от обрабатываемого материала и типа использованного электрода.
- Вставьте часть электрода без покрытия в держатель электрода и соедините зажим заземления к обрабатываемому материалу.
- Включите сварочный аппарат, используя главный переключатель.
- Держите сварочную маску перед лицом и двигайте конец электрода к обрабатываемому материалу, так, как будто зажигаете спичку. Это наилучший способ начать работу со сварочной дугой. Не бейте обрабатываемый материал электродом. Это повредит электрод и затруднит создание сварочной дуги.
- После создания сварочной дуги сразу же попробуйте сохранить расстояние между концом электрода и обрабатываемым материалом. Соблюдение этого расстояния равно диаметру электрода. Постарайтесь придерживать и не изменять этого расстояния во время сварки.
- Двигайте электрод постепенно, толкая в сторону обрабатываемого материала.
- Сохраняйте угол между электродом и обрабатываемым материалом равным 60° и 70° в направлении движения.
- Когда создан сваренный шов, разорвите сварочную дугу убрав электрод от обрабатываемого материала.
- Выключите сварочный аппарат.



*Замечание. Если вы оставляете включенным сварочный аппарат, не исключено, что между электродом и кабелем заземления возникнет сцепление ( посредством рабочего места ) и возникнет самопроизвольная сварка.*

- Уберите шлак со сваренного шва с помощью градационного молоточка.



*Позаботьтесь о горячих отлетающих частичках металла. Всегда носите защитные очки.*

- Никогда не производите сварку поверх остатков шлака: шлак создает



непроводящий и загрязненный слой, и в результате ослабляет сварку (так называемое шлаковое включение).

- Очищайте сварку используя металлическую проволочную щетку.



**ЗАМЕЧАНИЕ.** *Обрабатываемый материал до сих пор имеет большую температуру. Не оставляйте горячий обрабатываемый материал без присмотра.*

## Лампа индикатора температуры

### Рис. 1

- Когда температура сварочного аппарата становится слишком высокой, вмонтированный термостат отключится (включится лампа индикатора). Вмонтированный вентилятор охлаждает машину. После охлаждения лампа опять выключится.
- Предоставить машине достаточно времени для того, чтобы остыть; при интенсивной сварке возрастает возможность, что через несколько минут температурный предохранитель опять сработает.

## 5. Сервис и обслуживание



*При выполнении работ по техническому обслуживанию двигателя убедитесь, что машина не находится под напряжением.*

Машины фирмы созданы для работы в течение продолжительного промежутка времени при минимальном техническом обслуживании. Продолжительная удовлетворительная работа зависит от соответствующего ухода за машиной и регулярной очистки.

### Неисправности

На случай, если станок перестанет правильно работать, далее приводятся несколько причин и соответствующих решений:

### Причина/решение

- Зажим заземления плохо контактирует с обрабатываемым материалом
- Электрод плохо установлен в держателе
- Выключен температурный предохранитель
- Дефект сплава (в измерительном счетчике), или тепловая защита была

сожжена.

- Кабель испорчен
- Испорчен переключатель/свяжитесь со своим поставщиком.

### Неисправность

- Электрод продолжает "прилипать" к обрабатываемому материалу
- Электрод стал оранжево-красным

### Неисправность

- Не работает сварочный аппарат

### Электрод сильно брызгает и создает много шума во время сварки

- Машина сильно нагрелась; светится лампа индикатора

### Причина/решение

- Используйте правильный тип электрода (универсальный)
- Сила тока слишком маленькая/поверните колесо 3 по часовой стрелке
- Слишком высокая сила тока для этого типа электрода/поверните колесо 3 против часовой стрелки
- Сила тока слишком высокая/поверните колесо 3 против часовой стрелки
- Закупорены отверстия для вентиляции/почистите их сухой тканью; подождите несколько минут пока лампа снова не выключится



*Ремонт и обслуживание должен производить только квалифицированный специалист или обслуживающая фирма.*

### Очистка

- Проверяйте вентиляционные отверстия на наличие пыли и грязи. Используйте мягкую ткань увлажненную мыльной водой, чтобы удалить въевшуюся грязь. Не используйте никаких растворителей, как например бензин, спирт или аммиак, и т.п.
- Проверяйте остается ли держатель электрода и зажим заземления без ржавчины, для поддержания хорошей электрической проводимости.
- Регулярно проверяйте, жестко ли прикреплены кабели для сварки и заземления к своим контактам.

### Смазка

Машина не нуждае я в допълнителна смазка.

### Неисправности

В случае неисправности, напр., после износа какой-либо части, обратитесь по адресу пункта обслуживания, указанному в гарантийном талоне. Покомпонентное представление изображения частей, которые можете заказать, вы найдете на последней странице руководства.

### Защита окружающей среды

Во избежание транспортных повреждений изделие поставляется в прочной упаковке. Значительная часть материалов упаковки подлежит утилизации, поэтому просим передать упаковку в соответствующую специализированную организацию.



*Неисправный и/или бракованный электрический или электронный прибор должен быть утилизирован должным образом.*

### Гарантия

Услови я гарантии вы найдёте в отдельно прилагаемом гарантийном талоне.

## ЗАВАРЪЧЕН АПАРАТ

**Цифрите, посочените в текста по-долу, се отнасят за илюстрациите на стр. 2+109.**



*Преди да пристъпите към работа с инструмента, внимателно прочетете настоящото ръководство. Убедете се, че знаете как работи инструмента и как да го ползвате. Обслужвайте инструмента според настоящото ръководство и обезпечете правилното му функциониране. Пазете настоящият документ и другите съпровождащи документи заедно с инструмента.*

### Увод

Процесът на заваряване чрез стопяване се използва за стопяване на обработвания материал под въздействието на подавано нажежаване. Електро-дъгвото заваряване също така се извършва с помощта на материал за заваряване (електроди). След застиване, заваряването се счита за завършено. Необходимото нажежаване се постига с поддържане на електрическа дъга между електрода и обработвания материал. Процесът на заваряване изисква голяма сила на тока (40-100 A) и относително ниско напрежение (10-48 В). Трансформаторът в заваръчния апарат осигурява понижаване на основното напрежение (230 В).

Уредът не е предназначен за професионално използване!

### Съдържание:

1. Детайли на уреда
2. Изисквания за техника на безопасност
3. Сглобяване
4. Експлоатация
5. Техническо обслужване и поддръжка

## 1. Детайли на уреда

### Технически характеристики

Напрежение	230 V
Честота	50 Hz
Заваръчен ток	40-100 A

Напрежение на запалване	≤ 48 V
Диаметър на електродите	1,6 – 2,5 mm
Тегло	13,2 kg
Размери	290x195x170 mm
Топлинна защита	100°C ± 5°C
Кабел за мрежата	HO7RN-F, 3G x 1.5 mm <sup>2</sup>
Заваръчен кабел	HO1N2-D1 x 10 mm <sup>2</sup>

## В настоящото ръководство на потребителя се ползват следните символи:



Внимание! Прочетете инструкцията за експлоатация



Опасност от травми за хората, за живота на хората и повреждане на инструмента в случай на неспазване инструкциите на настоящото ръководство



Опасност от поражение от електрическия ток



При повреда на кабела незабавно изключете щепсела от контакта; изключвайте щепсела и при поправка на уреда.



Наблизо не трябва да се намират други хора.



Да се предпазва от дъжд



Ползвайте средства за защита на слуха и зрението



Използвайте защитни ръкавици



При заваряване винаги използвайте маска за заваряване



Използвайте защитни дрехи

## Съдържание на опаковката

- 1 Заваръчен апарат
- 1 Маска за заваряване
- 1 Метална почистваща четка/чукче за сваляне на шлака
- 1 Ръководство за потребителя
- 1 Инструкция за безопасност
- 1 Гаранционна карта

проверете комплекса за повреди и дали е напълно комплектуван.

## Наименование на компонентите

### Фигура 1

1. Лампа на индикатора на температурата
2. Ключ вкл/изкл
3. Ръчка за настройване на силата на тока
4. Заваръчен кабел с държател за електрода
5. Кабел за заземяване със закрепване
6. Гумен накрайник
7. Ръкохватка
8. Вентилационни отвори
9. Метална почистваща четка/чукче за сваляне на шлака
10. Маска за заваряване
11. Електроди

## Таблица: настройване и приложение

Ø на електрода (mm)	Ток (A)	Препоръчително напрежение за:
1,6	45-55	Дебелина на материала ≤2 mm Ремонт на колело/мотопед
2	50-75	Дебелина на материала 2-3 mm Ремонт на стенен стелаж,
2,5	70-100	Дебелина на материала 4-5 mm Градинска ограда, предмети в градината
3,2	95-150	Дебелина на материала 6-7 mm Навес за колата, гараж
4	130-220	Дебелина на материала 8-12 mm Конструкция (тежка)
5	190-250	Дебелина на материала ≥ 12mm Конструкция (много тежка)

**EN60974-6** Стандарт за заваръчни апарати за ръчно електро-дъгово заваряване с ограничена мощност.



Държател на електрода



Заземяваща клема

## 2. Изисквания за техника на



*Падащо напрежение*



*Еднофазен трансформатор*



*Захранваща верига, брой на фазите (например 1 или 3), символ за променлив ток и номиналната честота (например 50 Hz или 60 Hz)*



*Диаметър на електрода*



*Предпазител 16A*



*максимален ефективен захранващ ток*



*Максимална интензивност на тока във вторичния контур в амперы*



*Номинално максимално време за заваряване в прекъсващ режим*



*Номинално максимално време за заваряване в непрекъсващ режим*

**IP21S** *Клас електрическа защита. Защита от допир на чужд предмет с размер до 12 mm и от перпендикулярно падаща вода. Блокиране при проникване на вода.*

**H** *Клас на изолация*

**U<sup>0</sup>** *Напрежение при празен режим, волта*

**U<sup>1</sup>** *Напрежение на мрежата, волта*

**U<sup>2</sup>** *Стойности на конвенционалното напрежение на натоварването*

*Класификация на EMC в съответствие с IEC 60974-10*

**Допълнителни мерки за безопасност при заваръчните апарати**

- Ползвателя на уреда трябва да е инструктиран как да използва и управлява уреда.

- Осигурете добро осветено и чисто помещение
- Преди да извършите техническо обслужване, винаги изключвайте уреда от контакта
- Преди да се отдалечите от уреда, изключете електрозахранването с ключа и извадете вилката от контакта.
- Не използвайте уреда, ако не е напълно сглобен и монтиран, както е посочено в ръководството

**Специални инструкции за безопасност за заваръчни апарати**

- Риск от електрически удар: електрическият удар от заваръчния електрод може да причини смърт. Не заварявайте по време на дъжд или сняг. Носете сухи изолиращи ръкавици. Не докосвайте електродите с голи ръце. Не носете мокри или повредени ръкавици. Пазете се от електрически уред като се изолирате от детайла. Не отваряйте корпуса на оборудването.
- Риск, предизвикан от пушека при заваряване: вдишването на пушека, генериран при заваряване, може да е опасен за вашето здраве. Пазете главата си далече от пушека. Използвайте оборудването на открити пространства. Използвайте вентилация за отвеждане на пушека.
- Риск, предизвикан от пръските при заваряване: пръските при заваряване могат да предизвикат експлозия или пожар. Съхранявайте запалимите материали далече от зоната на заваряване. Не заварявайте в близост до запалими материали. Пръските при заваряване могат да предизвикат пожари. Осигурете наличие на пожарогасител в близост, както и надзорник, който е готов да го използва. Не заварявайте резервоари или затворени контейнери.
- Риск, предизвикан от електрическата дъга: искрите от електрическата дъга могат да изгорят очите и да наранят кожата. Носете каска и предпазни очила. Използвайте защита за слуха и риза с яка с копчета. Използвайте заваръчна маска с подходящ цвят филтър. Носете цялостна защита за тялото.
- Риск, предизвикан от електромагнитни полета: заваръчният ток създава електромагнитно поле. Не използвайте, ако

имате медицински импланти. Никога не увивайте заваръчните кабели около тялото си. Прокарвайте заваръчните кабели заедно.

- Заваряването се съпровожда от искри и отделяне на горещ метал. Помнете, че заваряването е огнеопасно, затова приберете всички лесно запалими предмети от работното си място
- Осигурете добра вентилация на работното помещение. Газовете, които се освобождават при заваряването са опасни за здравето.
- Не заварявайте контейнери или тръби, които съдържат или са съдържали леснозапалими течности или газове (има опасност от запалване или взрив)
- Не заварявайте материали, които са били почиствани с лесно запалими течности или които имат боядисани повърхности (вероятност от освобождаване на опасни газове)
- Не работете във влажно или мокро помещение и не заварявайте на дъжда.
- Винаги предпазвайте очите си със защитна маска за заваряване
- Използвайте ръкавици и защитно облекло, което е сухо и не е изцапано с масло или кал.
- Освобождащата се шлака понякога се нажежава много и може да предизвика сериозни повреди на очите при отстраняване. Винаги носете защитни очила и ръкавици.
- Ултравioletовото лъчение може да изгори кожата ви по време на заваряване. Така че винаги носете подходящо защитно облекло.
- Вашият заваръчен апарат е защитен от претоварване. По такъв начин, заваръчния апарат автоматично се изключва при претоварване. Заваръчния апарат автоматично се включва след като изстине.
- По време на заваряване и охлаждане, материалът, който обработвате може да се деформира поради предизвиканото напрежение. Винаги имайте предвид това.
- Разрешава се използването само на заваръчни кабели, които са включени в комплекта на доставката (заваръчен кабел 0/10 мм<sup>2</sup> с гумена изолация)
- В местата с опасност от пожар или взрив действат специални нормативи
- Заваръчните шевове, които са подложени

на голямо натоварване, и които трябва да съответстват на определени изисквания за безопасност са позволени да се извършват само от специално обучени заварчици, със съответните разрешения. Като например: обеми под напрежение, релси, теглещи устройства и др.

- **Внимание:** Винаги свързвайте заземяващата клема колкото се може близо до местото на заваряване, за да може заваръчния ток от електрода към заземяващата клема да изминава максимално кратък път. Никога на свързвайте заземяващата клема към заваръчното устройство! Никога не включвайте заземяващата клема към заземени части, които се намират далеч от заварявания детайл, например водопроводни тръби в другия край на помещението. Това може да предизвика повреда на системата на защитния кабел в мястото на извършване на заваряването.
- Защитата на включване в контакта трябва да съответства на нормите (VDE0100). Контактите със защита трябва да са защитени с предпазители максимално до 16 A (типове и технически параметри: RT14-20, Ø 10 x 38, AC 400 V 16A. IEC 60269, бавна реакция. Производител: Chint) (предпазители или защитни автомати). Предпазители с високи характеристики в амperi могат да доведат до прегаряне на кабели или повреда на зданието поради пожар.

### Електрическа безопасност



Незабавно изключете уреда, ако:

- Има дефект в захранващия кабел, мрежовия щепсел, или повреден кабел
- Превключвателят е неизправен
- Има дим или се усеща мирис на изгорял изолационен материал



*Предупреждение! В зависимост от състоянието на захранващата мрежа в мястото за включване, заваръчния източник на захранване може да предизвика смущения в захранването на други потребители на електроенергия. Ако има съмнения за това, обърнете се за консултация към*

- Проверете, дали заваръчния апарат и захранващите кабели за разположени надлежно. Всяка вероятност за удар на електрически разряд може да е опасна за живота.
- Винаги проверявайте качеството на кабелите, на държателя на електрода и на клемата за заземяването.
- Проверявайте да не се повредят електрическите кабели от прекалено дърпане. Изключвайте кабелите при пренасяне на заваръчния апарат.
- Избягвайте да влизате в контакт с частите на заваръчния апарат, държателя на електрода и заземяващата клемма, по които минава електричество.
- Винаги проверявайте дали напрежението в мрежата съответства на посоченото на информационната табелка на уреда.
- Смяна на кабели или предпазители: Изхвърляйте старите кабели или предпазители веднага след като ги смените с нови. Слагането на бракуван предпазител в гнездото за предпазители е опасно.
- За всички заваръчни апарати, работещи с 230 Волта, използвайте разтопяване минимум 16 Ампера
- Когато използвате удължител: Използвайте само утвърдени удължители, подходящи за мощността на машината. Основната част трябва да е с диаметър минимум 1,5 mm<sup>2</sup>. Напълно освободете кабела, ако използвате удължаваща макара.
- Дейности с частите на захранването: кабели, розетки, вилки и др. такива трябва да се извършват от квалифицирани специалисти – електричари.

### 3. Сглобяване



*Първо изключете щепсела на захранващия кабел от контакта.*

#### Монтаж на уреда

- Поставете заваръчния апарат на сухо и чисто място (без железни стружки, прах и бои)
- Разположете заваръчния апарат на твърда плоска повърхност на не по-малко от 20 см от стената
- Защитете заваръчния апарат от дъжд и

#### Маска за заваряване

##### Фиг. 2

- Спуснете ръчката на маската за заваряване докато не щракне.
- Поставете защитното стъкло с лицевата част в тъмното заваръчно стъкло. Сложете двете стъкла в предната част на отвора.
- Проверете, дали стъклата са разположени така, че вредното излъчване да не минава през отвори.
- Сменете защитното стъкло, ако видимостта на обработвания материал при заваряване е слаба в процеса на работа. Смяната на тъмното заваръчно стъкло е много по-скъпа, за това сменете стъклото, което предпазва от светлината.

#### Поставяне на нови електроди

Електродът се състои от метална основа върху която е нанесено покритие. От единия край на електрода върху основата няма нанесено покритие.

- Натиснете клемата на държателя на електрода срещу пружината
- Сложете електрода с оголения край ( $\pm 2$  cm) в държателя на електроди. Проверете дали е добър контакта на оголената част на електрода с металната част на държателя (не вкарвайте електрода много надълбоко в държателя)
- Отпуснете хващащата ръчка. Електродът е фиксиран.



*Внимание! Не позволявайте електрода да изгори и да стане по-къс от  $\pm 5$  cm поради опасност от прегряване или деформация на държателя на електрода. Освен това така ще ви е трудно да извадите изгорелия електрод.*

#### Изваждане на използваните електроди

Натиснете клемата на държателя на електрода срещу пружината, така че изгорелия електрод да изпадне от държателя.



*Внимание! Не вадете електрода от държателя с ръце. Електродът е много нагрял!*



**Внимание!** Внимавайте къде изхвърляте използвания електрод, за да предотвратите възникването на пожар или травма.

## 4. Експлоатация

### Преди започване на работа:

- а. Обща информация за дъговото електрическо заваряване
- б. Електрод
- в. Предпазно облекло
- г. Защита на лицето
- д. Работно помещение

### а. Обща информация за дъговото електрическо заваряване

Температурата на дъгата е приблизително 7 000 С и именно за това края на електрода и обработвания материал се разтопяват. Докато се поддържа температурата на дъгата, електродът ще се топи и ще предоставя материал за заваряване за нужното свързване на частите. Разстоянието между електродите и обработвания материал трябва да е максимално малко (например 1,5-4 mm) в зависимост от диаметъра и тип на електрода. Необходимият за заваряването ток се доставя от заваръчния апарат. Силата, която е нужна за заваръчния апарат зависи от поставената задача. Проверете, дали електродите са напълно сухи, тъй като влажните електроди създават проблеми. Ако електродът прилепва по време на работа, значи избраната сила на тока е прекалено малка.

### б. Електрод.

- Електродът се състои от метална основа, върху която е нанесено покритие. Покритието има най-голямо значение за защита на областта на заваряване и преобразуване на капките кислород и азот в околната среда.
- Електродът изгаря в процеса на заваряването. Част от покритието се изпарява, като по този начин се образува защитен газообразен щит.
- Част от покритието остава на повърхността в областта на заваряването (то е по-леко от стоманата) и защитава изстиващия заваръчен шев. След охлаждането, покритието става твърдо и лесно се отстранява от завареното място.
- Внимателно работете с електродите за да

не нараните покритието. Проверете дали електродите са напълно сухи, и ги съхранявайте в защитено от влага място.

- Много е важно да използвате подходящ електрод, за да създадете добър и издръжлив заваръчен шев. Универсалният електрод в повечето случаи е подходящ за вашата работа.
- На опаковките на електродите е посочено за какво и при какви положения могат да се използват дадените електроди (над главата, под вас, и др., скоростта на изгаряне на електрода). Някои електроди са достъпни за закупуване и заваряване на различни типове неръждаема стомана и чугун. Консултирайте се вашия доставчик за подходящите електроди.

### с. Предпазно облекло

Използвайте винаги такова предпазно облекло, което свежда до минимум опасността от изгаряне на кожата от ултравиолетовата радиация или металните пръски. Препоръчваме ви памучни дрехи, ръкавици за заваряване и защитни обувки. Проверете дали пръските от частниците при заваряване няма да попаднат в ръкавиците или обувките. Престилката за заваряване (кожена) предпазва от попадане на искри и метално частици и повреждане на дрехите.

### д. Защита на лицето

#### Фиг. 2

- Използвайте хубава маска за заваряване с (тъмно) заваръчно стъкло и защитно стъкло. Проверете дали са монтирани добре двете стъкла (дали са закрепени добре и дали не пропускат слънчеви лъчи).
- Заваръчната маска предпазва заварчика от радиацията, горещината и заваръчните искри по време на работния процес. Това намалява и количеството на вдишваните изпарения.
- Невидимите ултравиолетови лъчи предизвикват така наречените "избухвания на заварчика". Това става след гледане в електрическата дъга в продължение на няколко секунди. Избягвайте въздействието на тази радиация и на високите температури върху лицето и другите открити части на тялото, като например врата и ръцете.
- Защитете очите си от опасния ефект на електрическата дъга. Лицата, които не

участват в заваряването трябва да са на разстояние най-малко 15 метра от дъгата.

- Работници и помощници, работещи непосредствено до електрическата дъга трябва да са запознати с опасностите и да имат необходимите средства за защита. Ако е необходимо поставете защитни екрани.

#### е. Работно помещение

- Осигурете работно помещение с добро проветряване. Газовете, които се изпаряват при заваряването са опасни за здравето.
- Махнете всички леснозапалими предмети от работното помещение. Заваряването предизвиква искри и пръски от частички горещ метал.
- Проверете да има студена вода близо до работното място. Не оставяйте току що заварения (горещ) обработван материал без надзор на работното си място. Изстудете обработвания материал преди да напуснете работното място.

#### Защита от облъчване и изгаряне

- На работното място трябва да има надпис "Внимание! Не гледайте дъгата", който предупреждава за опасността за очите.
- Отделните работни места трябва да са колкото се може повече екранирани, така че да са защитени хората, които се намират близо до тези работни места. Забранява се присъствието на неспособни лица на работното място.
- В непосредствена близост до работното място стените не трябва да са блестящи или боядисани в светли цветове. Прозорците трябва да са боядисани в съответния цвят на височината на очите за предпазване от отражение на излъчването или от проникването му.

#### Използване

##### Фиг. 3

Съвет: Преди започване на заваряването на сложни за обработване материали е най-добре да изпробвате заваряването на пробен образец.

- Осигурете си чисто работно място: премахнете ръждата, мазнините и остатъците от боя.
- Установете необходимата сила на тока като

използвате ръчката на лицевата част на заваръчни апарат.

Изборът на силата на тока зависи от обработвания материал и типа на използвания електрод.

- Сложете частта на електрода без покритие в държателя за електродите и свържете заземяващата клемма с обработвания материал.
- Включете заваръчния апарат, използвайки главния ключ.
- Дръжте заваръчната маска пред лицето си и придвижвайте електрода към обработвания материал все едно че запалвате клечка кибрит. Това е най-добрият начин да започнете работа със заваръчна дъга. Не удряйте с електрода по заварявания материал. Това ще повреди електрода и ще затрудни създаването на заваръчна дъга.
- След създаване на заваръчна дъга веднага се постарайте да запазите разстоянието между края на електрода и обработвания материал. Спазването на това разстояние е равно на диаметъра на електрода. Постарайте се да се придържате и да не променяте това разстояние по време на заваряването.
- Премествайте електрода постепенно, като го избутвате към обработвания материал., спазвайте ъгъла между електрода и обработвания материал равен на 60 и 70 по посока на движението.
- Когато е направен заваръчния шев, прекъснете заваръчната дъга като махнете електрода от обработвания материал.
- Изключете заваръчния апарат



*Забележка. Ако оставяте заваръчния апарат включен, може между електрода и заземяващия кабел да възникне свързване (посредством работното място) и да възникне самопроизволно заваряване.*

- Премахнете шлага от заваръчния шев с помощта на чукче за сваляне на шлак.



*Внимание! Хвърчат горещи метални частици. Винаги използвайте защитни очила.*

- Никога не заварявайте върху остатъци от



шлак: шлакът създава не проводящ и мръсен слой, в резултат на което заваряването е по-слабо (така наречената шлакова добавка).

- Почиствайте заварката металната четка.



*Забележка. Обработвания материал все още е силно нагрят. Не оставяйте горещия обработван материал без надзор.*

## Лампа на температурния индикатор

### Фиг. 1

Когато температурата на заваръчния апарат стане прекалено висока, вградения термостат се изключва (включва се лампата на индикатора). Вграденият вентилатор охлажда машината. След охлаждането лампата отново загасва.

Дайте на машината време да изстине, при интензивно заваряване се увеличава вероятността след няколко минути температурния предпазител отново да се включи.

## 5. Техническо обслужване и



*Убедете се, че инструментът не е включен в електрическата мрежа по време на техническото обслужване на механичните детайли.*

Този уред е конструиран за продължителна работа при минимални изисквания за обслужване. Постоянната качествена работа зависи от правилната поддръжка, експлоатация на уреда и редовното му почистване.

### Неизправности

Ако уредът боти неправилно, прочетете посочените по-долу вероятни причини и начините на отстраняването им.

Неизправност Причина/решение

### Заваръчния агрегат не работи

- Лош контакт на заземяващата клемма със заварявания предмет.
- Електродът не е правилно сложен в държателя
- Включила се е топлинната защита
- Изгорял предпазител (на ел. табло), или

термичната защита е изгоряла.

- Скъсване на кабела
- При дефект на ключа се обърнете към продавача

### Електродът се “залепва” за заварявания предмет

- Използвайте правилен тип електрод (универсален)
- Много малка интензивност на тока/завъртете регулатора 3 по посока на часовниковата стрелка

### Електродът е оранжево червен на цвят

- Интензивността на тока е много голяма / завъртете регулатора 3 по посока против часовниковата стрелка

### Електродът много пръска при заваряването и издава голям шум

- Интензивността на това е много голяма / завъртете регулатора 3 по посока против часовниковата стрелка

### Уредът е много горещ, свети индикатора

- Вентилационните отвори са замърсени/почистете ги със сух плат; почакайте няколко минути докато изгасне индикатора.



*Ремонтът и поддръжката трябва да се извършват само от квалифициран техник или оторизиран сервиз.*

### Почистване

- Убедете се, че във вентилационните отвори няма прах или кал. Засъхналата кал премахнете с мек парцал, навлажнен със сапунена вода. Не ползвайте никакви разтворители като керосин, спирт, амоняк и т.н.
- Убедете се, че държателя на електродите и заземяващата клемма не са повредени от корозия и осигуряват добър електрически контакт.
- Редовно проверявайте дали заваръчния и заземяващия кабел са здраво закрепени към клемите.

### Смазване

Уредът не изисква допълнително смазване

### Неизправности

В случай на неизправности, например след износване на някой детайл, се обърнете към някой от пунктовете за обслужване, посочени в гаранционната карта. Детайлното изложение на частите, които можете да поръчате, ще намерите на последната страница на ръководството.

### **Защита на околната среда**

За да се избегнат дефекти при транспортиране, изделието се доставя в здрава опаковка.

Голяма част от материалите на опаковката подлежат на утилизация, затова молим да ги предадете на подходяща специализирана организация.



Неизправен и/или бракуван електрически или електронен прибор трябва да се утилизира по подходящ начин.

### **Гаранционни условия**

За запознаване с гаранционните условия са посочени в отделна гаранционна карта.





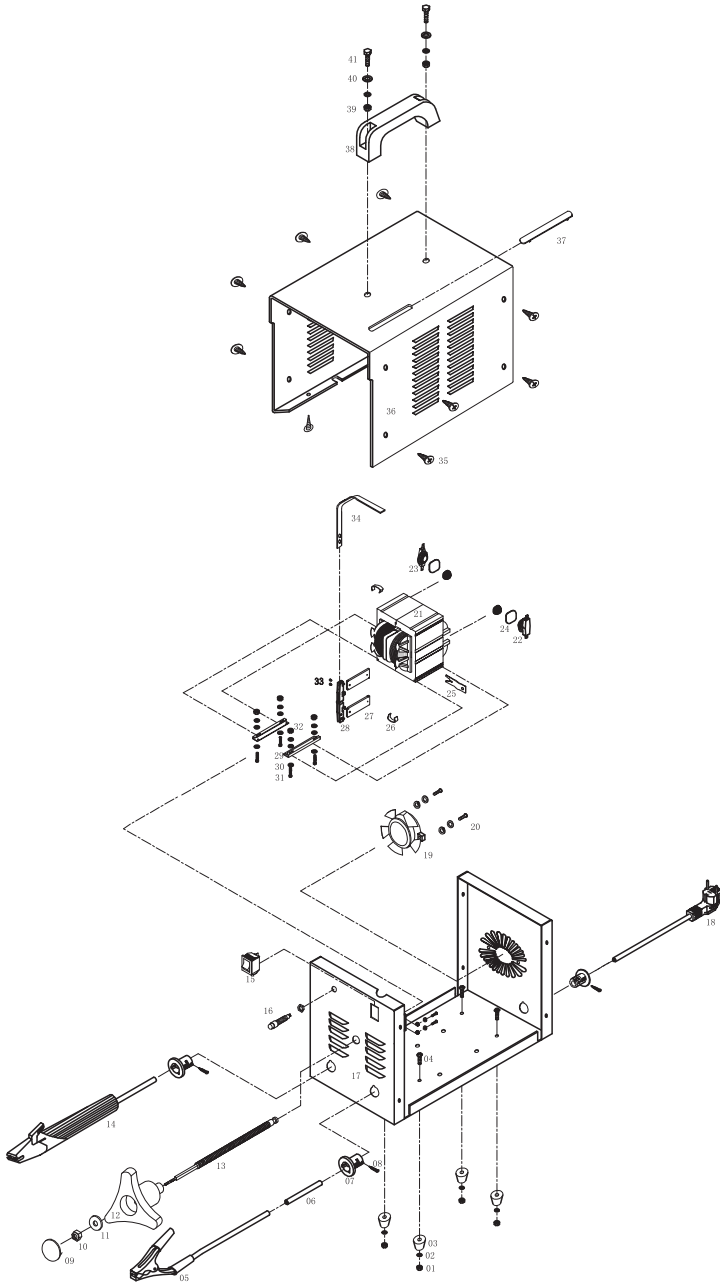
## Spare parts list

No.	Description	Position No.
100166	On/Off switch	15
100165	Indicator lamp	16
100168	Thermic protection	23
100177	Thermic cutout	22
100173	Fan	19
100175	Handle	22
100163	Earthclamp	05
100164	Weldingclamp	14
100005	Wire brush /scaling hammer	-
100006	Welding lens	-
100007	Welding mask (excl. Weldinglens)	-

Art. no. <b>WEM1042 ARC WELDER</b>				
EN 60974-6:2011		Serial no. <span style="border: 1px solid black; display: inline-block; width: 100px; height: 15px;"></span>		
	40A/19.6V - 100A/22.0V			
	$U_0 = 48V$	$I_{2max} = 100A$	$U_2 = 22.0V$	 = 4'11" = 9'30"
	$U_1 = 230V$	$I_{1max} = 22.5A$	$I_{1eff} = 9.24 A$	
1 ~ 50Hz	IP21S			
 <small>FERM B.V. • LINGENSTRAAT 6 • 8028 PM ZWOLLE NL • WWW.FERM.COM          ASSEMBLED IN PRC • DESIGNED IN THE NETHERLANDS 1405-07</small>				

The output is rated at an ambient temperature of 20 °C and the welding time may be reduced at higher temperatures.

Exploded view





# DECLARATION OF CONFORMITY WEM1042, WELDING MACHINE

- (EN) We declare under our sole responsibility that this product is in conformity with the restriction of 2011/65/EU of the European parliament and of the council of 9 June on the restriction of the use of certain hazardous substances in electrical and electronic equipment is in conformity and accordance with the following standards and regulations:
- (DE) Der Hersteller erklärt eigenverantwortlich, dass dieses Produkt der Direktive 2011/65/EU des Europäischen Parlaments und des Rats vom 8. Juni 2011 über die Einschränkung der Anwendung von bestimmten gefährlichen Stoffen in elektrischen und elektronischen Geräten entspricht. den folgenden Standards und Vorschriften entspricht:
- (NL) Wij verklaren onder onze volledige verantwoordelijkheid dat dit product voldoet aan de conform Richtlijn 2011/65/EU van het Europees Parlement en de Raad van 8 juni 2011 betreffende beperking van het gebruik van bepaalde gevaarlijke stoffen in elektrische en elektronische apparatuur en in overeenstemming is met de volgende standaarden en reguleringen:
- (FR) Nous déclarons sous notre seule responsabilité que ce produit est conforme aux standards et directives suivants: est conforme à la Directive 2011/65/EU du Parlement Européen et du Conseil du 8 juin 2011 concernant la limitation d'usage de certaines substances dangereuses dans l'équipement électrique et électronique. Declaramos bajo nuestra exclusiva responsabilidad que este producto cumple con las siguientes normas y estándares de funcionamiento: se encuentra conforme con la Directiva 2011/65/UE del Parlamento Europeo y del Consejo de 8 de junio de 2011 sobre la restricción del uso de determinadas sustancias peligrosas en los equipos eléctricos y electrónicos.
- (PT) Declaramos por nossa total responsabilidade de que este produto está em conformidade e cumpre as normas e regulamentações que se seguem: está em conformidade com a Directiva 2011/65/UE do Parlamento Europeu e com o Conselho de 8 de Junho de 2011 no que respeita à restrição de utilização de determinadas substâncias perigosas existentes em equipamento eléctrico e electrónico.
- (IT) Dichiariamo, sotto la nostra responsabilità, che questo prodotto è conforme alle normative e ai regolamenti seguenti: è conforme alla Direttiva 2011/65/UE del Parlamento Europeo e del Consiglio del 8 giugno 2011 sulla limitazione dell'uso di determinate sostanze pericolose nelle apparecchiature elettriche ed elettroniche.
- (SV) Vi garanterar på eget ansvar att denna produkt uppfyller och följer följande standarder och bestämmelser: uppfyller direktiv 2011/65/UE från Europeiska parlamentet och EG-rådet från den 8 juni 2011 om begränsningen av användning av farliga substanser i elektrisk och elektronisk utrustning.
- (FI) Vakuutamme yksinomaan omalla vastuullamme, että tämä tuote täyttää seuraavat standardit ja sääökset: täyttää Euroopan parlamentin ja neuvoston 8. kesäkuuta 2011 päivätyn direktiivin 2011/65/EU vaatimukset koskien vaarallisten aineiden käytön rajoitusta sähkö- ja elektronisissa laitteissa.
- (NO) Vi erklærer under vårt eget ansvar at dette produktet er i samsvar med følgende standarder og regler: er i overensstemmelse med direktiv 2011/65/UE fra Europa-Parlamentet og Europa-rådet, pr. 8 juni 2011, om begrensning i bruken av visse farlige stoffer i elektrisk og elektronisk utstyr.
- (DA) Vi erklærer under eget ansvar, at dette produkt er i overensstemmelse med følgende standarder og bestemmelser: er i overensstemmelse med direktiv 2011/65/UE fra Europa-Parlamentet og Rådet af 8. juni 2011 om begrænsning af anvendelsen af visse farlige stoffer i elektrisk og elektronisk udstyr.
- (HU) Felelősségünk teljes tudatában kijelentjük, hogy ez a termék teljes mértékben megfelel az alábbi szabványoknak és előírásoknak: je v souladu se směrnicí 2011/65/EU Evropského parlamentu a Rady EU ze dne 8. června 2011, která se týká omezení použití určitých nebezpečných látek v elektrických a elektronických zařízeních.
- (CS) Na naši vlastní zodpovědnost prohlašujeme, že je tento výrobek v souladu s následujícími standardy a normami: Je v souladu s noremou 2011/65/EU Evropského parlamentu a Rady z 8. júna 2011 týkajúcej sa obmedzenia používania určitých

- nebezpečných látok v elektrickom a elektronickom vybavení.
- (SK) Vyhlasujeme na našu výhradnú zodpovednosť, že tento výrobok je v zhode a súlade s nasledujúcimi normami a predpismi: Je v súlade s nornou 2011/65/EU Európskeho parlamentu a Rady z 8. júna 2011 týkajúcej sa obmedzenia používania určitých nebezpečných látok v elektrickom a elektronickom vybavení.
- (SL) S polno odgovornostjo izjavljamo, da je ta izdelek v skladu in da odgovarja naslednjim standardom ter predpisom: je v skladu z direktivo 2011/65/EU Evropskega parlamenta in Sveta z dne 8. junija 2011 o omejevanju uporabe določenih nevarnih snovi v električni in elektronski opremi.
- (PL) Deklarujemy na własną odpowiedzialność, że ten produkt spełnia wymogi zawarte w następujących normach i przepisach: jest zgodny z Dyrektywą 2011/65/UE Parlamentu Europejskiego i Rady z dnia 8 czerwca 2011 r. w sprawie ograniczenia stosowania niektórych niebezpiecznych substancji w sprzęcie elektrycznym i elektronicznym.
- (LT) Prisiimdami visą atsakomybę deklaruojame, kad šis gaminyis atitinka žemiau paminėtų standartus arba nuostatus: atitinka 2011 m. birželio 8 d. Europos Parlamento ir Tarybos direktyvą 2011/65/EB dėl tam tikrų pavojingų medžiagų naudojimo elektros ir elektroninėje įrangoje apribojimo.
- (LV) Ir atbilstoša Eiropas Parlamenta un Padomes 2011. gada 8. jūnija Direktīvai 2011/65/ES par dažu bīstamu vielu izmantošanas ierobežošanu elektriskās un elektroniskās iekārtās.
- (ET) Appalgavim ar viisi altbilidub, ka šis produktis ja saskana n atbilst sekojosiem standardiem n nolikumiem: ir atbilstoša Eiropas Parlamenta n Padomes 2011. gada 8. jūnija Direktīvai 2011/65/ES par dažu bīstamu vielu izmantošanas ierobežošanu elektriskās un elektroniskās iekārtās.
- (RO) Declaram prin aceasta cu răspunderea deplină că produsul acesta este în conformitate cu următoarele standarde sau directive: este în conformitate cu Directiva 2011/65/UE a Parlamentului European și a Consiliului din 8 iunie 2011 cu privire la interzicerea utilizării anumitor substanțe periculoase la echipamentele electrice și electronice.
- (HR) Izjavljujemo pod vlastitom odgovornošću da je strojem ukladan sa slijedećim standardima ili standardiziranim dokumentima i u skladu sa odredbama: uskladeno Direktivom 2011/65/EU evropskog parlamenta i vijeća izdanom 8. lipnja 2011. o ograničenju korištenja određenih opasnih tvari u električnoj i elektroničkoj opremi.
- (SR) Pod punom odgovornošću izjavljujemo da je usaglašen sa sledećim standardima ili normama: usaglašen sa direktivom 2011/65/EU Evropskog parlamenta i Saveta od 8.juna.2011. godine za restrikciju upotrebe određenih opasnih materija u električnoj i elektroničkoj opremi.
- (RU) Под свою ответственность заявляем, что данное изделие соответствует следующим стандартам и нормам: соответствует требованиям Директивы 2011/65/ЕВ Европейского парламента и совета от 8 июня 2011 г. по ограничению использования определенных опасных веществ в электрическом и электронном оборудовании
- (UK) Na svoju vlasnu відповідальність заявляємо, що дане обладнання відповідає наступним стандартам і нормативам: задовольняє вимоги Директиви 2011/65/ЄС Європейського Парламенту та Ради від 8 червня 2011 року на обмеження використання деяких небезпечних речовин в електричному та електронному обладнанні.
- (EL) Δηλώνουμε υπεύθυνα ότι το προϊόν αυτό συμμορφώνεται με την Οδηγία 2011/65/ΕΕ του Ευρωπαϊκού Κοινοβουλίου και του Συμβουλίου της 8ης Ιουνίου 2011 για τον περιορισμό της χρήσης ορισμένων επικίνδυνων ουσιών σε ηλεκτρικό και ηλεκτρονικό εξοπλισμό
- (BG) Ние декларираме на наша отговорност, че този продукт отговаря на съответствие с Директивата 2011/65/ЕС на Европейския парламент и на Съвета от 8 юни 2011 г. относно ограничението на употребата на определени опасни вещества в електрическото и електронното оборудване, в съответствие със следните стандарти и наредби:

**EN60974-1, EN60974-6, EN60974-10**

**2006/95/EC, 2011/65/EU, 2002/96/EC, 2004/108/EC**

Zwolle, 01-06-2014

W. Dekens  
CEO Ferm B.V.

It is our policy to continuously improve our products and we therefore reserve the right to change the product specification without prior notice.

Ferm BV • Lingenstraat 6 • 8028 PM • Zwolle The Netherlands

