

1 Please charge 30 minutes before illuminating the lamp

2

3

4

5

SENSOR

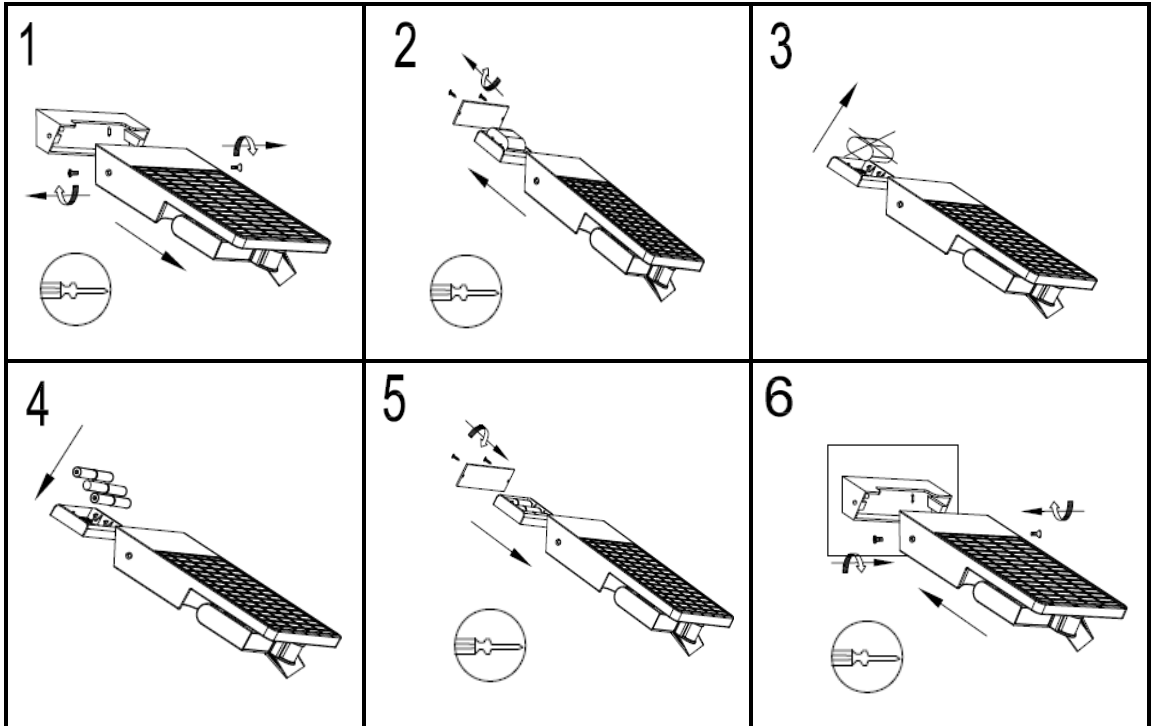
Achtung:

- * Die Batterie nicht in Feuer legen - Explosionsgefahr
- * Die Batterie nicht in Wasser legen
- * Das Solarpanel an einem sonnigen Ort platzieren. Ladezeit 3 Stunden bei sonnigem, Wetter 5 Stunden hinter einer Glasscheibe.
- * Wir empfehlen, den Akku vor erstem Gebrauch 24 Stunden zu laden: Schalter auf OFF und Laden lassen, dann Schalter auf AUTO -> Lampe leuchtet in Verbindung mit Dunkelheit und Bewegung - Schalter auf ON -> Lampe leuchtet permanent.

Important Safety Information:

- Do not put the battery in fire - it may explode.
- Do not immerse into water.
- Do not expose the light to fire or intense heat as the battery may explode.
- The solar charger board should be set in a sunny area, where maximum sunlight can be collected. Typically, the solar board should face a direction (south) where sunlight can charge the board for at least 3 hours per day (5 hours per day if behind glass). It is suggested to charge the light for 24 hours before first use.

AKKU-Wechsel / Battery-Change

**TROUBLESHOOTING**

PROBLEM	POSSIBLE CAUSE	CORRECTIVE ACTION
The fixture will not illuminate.	<ol style="list-style-type: none"> 1. The sensor may be detecting daylight or other bright light source near the unit. 2. The battery is low or drained. 3. The battery plug isn't properly connected. 4. The light didn't turn on. 	<ol style="list-style-type: none"> 1. Reposition the installation place to avoid other lighting source. 2. To charge the battery fully on 8 hours. 3. Make certain the battery is connected well. 4. Turn on the switch.
The battery does not fully charge.	<ol style="list-style-type: none"> 1. There is no enough sunlight. 2. There is dust and debris on the solar panel. 3. There is frequent activity from dusk to dawn, consume a lot of battery power. 	<ol style="list-style-type: none"> 1. Reposition solar panel to receive more sunlight. 2. Clean dust and debris from solar panel. 3. Avoid unnecessary activity.
The light stays on continuously.	<ol style="list-style-type: none"> 1. There are other movements that trigger the light. 	<ol style="list-style-type: none"> 1. Avoid other movements may trigger the light needlessly.
Motion is not detected within the coverage area.	<ol style="list-style-type: none"> 1. The motion is directly towards the sensor. 2. The light may install at the place near air conditioner, central heater, or hot air flow. 3. There is dust on motion sensor lens. 	<ol style="list-style-type: none"> 1. The sensor is more sensitive to motion that across the detection field. 2. Avoid installing the light near such place. 3. Clean the dust on the lens.

Service:

Germany (DE), Austria (AT), Switzerland (CH) :

www.ecolight.biz / +49 228 9691090

France(FR): www.lutec-france.com / +33 04 75602568

**- are members of
Yaohualux Group**

CN8, Far East Industry Park , Yuyao, China

www.yaohualux.com