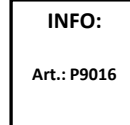
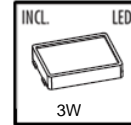
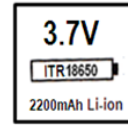


LUTEC



1 Please charge 30 minutes before illuminating the lamp

2

3

4

5

6

7

Brief:
Slide the switch to ON, when at night, the light will illuminate about 5 ~ 90 seconds (by the **Time** setting) when motion in the cover area (by the **Sensitivity** setting) is detected.

Note: Slide the switch to **TEST**, just cover the **Photocell**, and the light will illuminate in daytime when motion is detected.

8

9

10

The cable for the solar panel is 15 ft. long, 6 ft. inside the panel, and can be pulled out if necessary

11

12

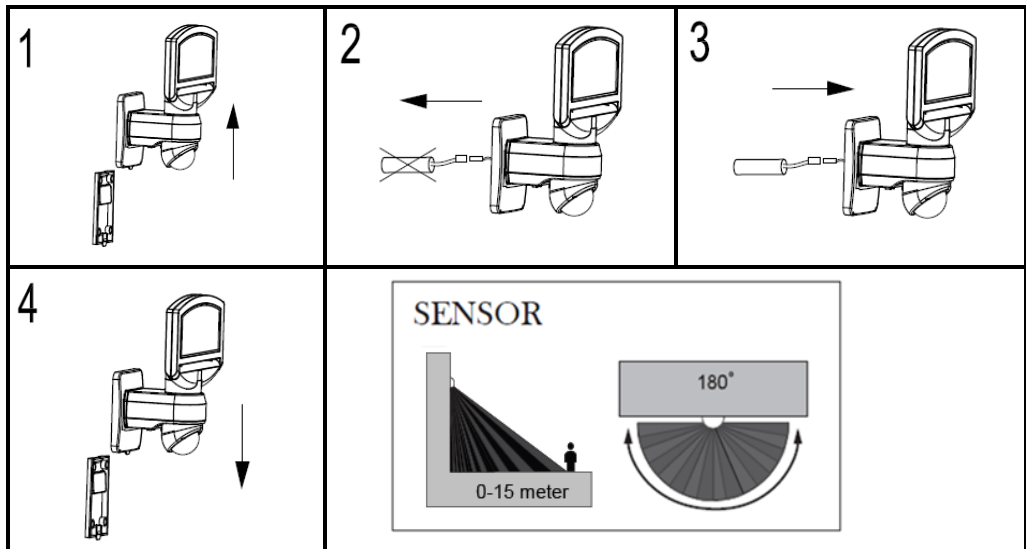
Achtung:

- * Die Batterie nicht in Feuer legen - Explosionsgefahr
- * Die Batterie nicht in Wasser legen
- * Das Solarpanel an einem sonnigen Ort platzieren. Ladezeit 3 Stunden bei sonnigem, Wetter 5 Stunden hinter einer Glasscheibe.
- * Wir empfehlen, den Akku vor erstem Gebrauch 24 Stunden zu laden: Schalter auf OFF und Laden lassen, dann Schalter auf AUTO -> Lampe leuchtet in Verbindung mit Dunkelheit und Bewegung - Schalter auf ON -> Lampe leuchtet permanent.

Important Safety Information:

- Do not put the battery in fire - it may explode.
- Do not immerse into water.
- Do not expose the light to fire or intense heat as the battery may explode.
- The solar charger board should be set in a sunny area, where maximum sunlight can be collected. Typically, the solar board should face a direction (south) where sunlight can charge the board for at least 3 hours per day (5 hours per day if behind glass). It is suggested to charge the light for 24 hours before first use.

AKKU-Wechsel / Battery-Change

**Service:**

Germany (DE), Austria (AT), Switzerland (CH) :

www.ecolight.biz / +49 228 9691090

France(FR): www.lutec-france.com / +33 04 75602568

- are members of

Lutec Group

CN8, Far East Industry Park , Yuyao, China

www.lutec.net