

P800520.4.1

Airfree®

Instruction Manual

Instruction Manual

Bedienungsanleitung

Bedienungsanleitung

Manual de Instrucciones

Manual de Instrucciones

Manuale d'istruzioni

Manuale d'istruzioni



Airfree® E40/ E60/ E80/ E125/ P40/ P60/ P80/ P125/ P150 / babyair
Airfree® E40/ E60/ E80/ E125/ P40/ P60/ P80/ P125/ P150 / babyair

Index

Safety Instructions	7
The Invisible Enemies	8
Applications	8
Airfree and Mould	10
Airfree Description	10
Installing and Connecting	11
How does Airfree Work? Maintenance	12
Technical Characteristics	12
Airfree Independent and Efficiency Tests	13
Frequently Asked Questions.....	14
Warranty	16

Congratulations for having purchased your Airfree.

Airfree air purifiers are manufactured under license of US Patent 5,874,050, and many other patents pending worldwide. Airfree was designed with most advanced American and German technologies, to drastically destroy indoor airborne microorganisms and reduce ozone.

Different from other air purifier manufacturers, Airfree does not spend much time in describing fancy technologies with difficult words and theories. Airfree offers independent efficiency tests instead. For every Airfree claim there is one independent test to prove it!

Please carefully read this manual to achieve the best air purifying results.
Enjoy your Airfree.

Thank you,
AIRFREE PRODUCTS

Copyright 2013 Airfree Produtos Electronicos Lda. All Rights Reserved

All rights reserved. No part of this publication may be reproduced, photocopied, transmitted, transcribed, stored in a retrieval system, or translated into any language in any form or by any means without the express prior written consent of Airfree Produtos Electronicos Lda.

Inhaltsverzeichnis - Deutsch

Sicherheitshinweise.....	17
Die unsichtbaren Feinde	18
Anwendungsbereiche.....	18
Airfree® und Schimmel	20
Eigenschaften des Airfree®	20
Installation und Anschluß des Airfree®.....	21
Technische Spezifikationen	22
Bedienung & Wartung	22
Unabhängige Leistungstests	23
Häufig gestellte Fragen	24
Gwährleistung.....	26

Sie haben ein Produkt von Airfree® erworben, das erstklassige Wirksamkeit mit umweltfreundlicher Technologie vereint. Die Technologie von Airfree® wurde weltweit von unabhängigen Institutionen als äußerst effektiv bei der Beseitigung von Mikroorganismen, Allergiestoffen und Ozon aus der Luft bewertet. Die Produkte von Airfree® werden nach den aktuellen Normen von CE und anderen internationalen Zertifizierungen hergestellt. Die vorrangigen Ziele von Airfree® sind Qualität, Leistung und Zufriedenheit des Kunden.

Copyright 2001-2013 Airfree® Produtos Electrónicos Lda.

Alle Rechte vorbehalten. Kein Teil dieser Veröffentlichung darf ohne vorhergehende schriftliche Zustimmung der Airfree®. reproduziert, fotokopiert, übertragen, eine Durchschrift erstellt, in einem Abrufsystem gespeichert oder in eine andere Sprache übersetzt werden, in jeder Form und auf jedem Übertragungsweg.

Índice - Español

Instrucciones de Seguridad	27
Enemigos Invisibles.....	28
Aplicaciones	28
Airfree y el moho	30
Descripción de Airfree	30
Instalación y Ligación	31
Operación/Mantenimiento	32
Características Airfree	32
Testes de la Eficacia de Airfree	33
Cuestiones Más Frecuentes.....	34
Garantía.....	36

Usted acaba de comprar Airfree, el más eficaz esterilizador del aire en el mundo.

Airfree se fabrica con la mejor y más avanzada tecnología, aprobada por instituciones independientes, extremadamente eficaces en la eliminación de microorganismos y ácaros del polvo aerotransportados.

Los productos de Airfree se fabrican en una moderna fábrica Europea con certificaciones ISO 9002, CE Y U.L.

Los objetivos principales de Airfree son calidad, eficacia y la satisfacción de los clientes.

Copyright 2001-2013 Airfree® Produtos Eletrónicos Lda.

Indice

Istruzioni di sicurezza	37
I nostri nemici invisibili	38
Applicazioni	38
Airfree® e la muffa	40
Descrizione di Airfree®	40
Installazione e collegamenti	41
Caratteristiche di Airfree®	42
Descrizione di Airfree®	42
Test indipendenti sull'efficacia di Airfree®	43
FAQ (Domande frequenti)	44
Garanzia Limitata	46

Avete appena acquistato Airfree® che unisce efficacia e tecnologia ecologica. Airfree® è prodotto con una tecnologia avanzata e sicura per l'eliminazione di microrganismi ambientali ed acari la cui estrema efficacia è comprovata da istituzioni indipendenti di tutto il mondo. I prodotti Airfree® sono fabbricati in un moderno stabilimento europeo certificato CE. Gli obiettivi primari di Airfree® sono la qualità, l'efficacia e la soddisfazione del cliente.

AIRFREE® PRODUCTS

Copyright 2001-2013 Airfree® Produtos Electrónicos Lda.

Tutti i diritti riservati. E' vietata la riproduzione, fotocopiatura, trasmissione, trascrizione, archivio con qualsiasi metodo di reperimento o traduzione in qualunque altra lingua di questo manuale senza prima ricevere il consenso scritto di Airfree® Produtos Electrónicos Lda. Lisboa (Portogallo).

Safety Instructions



This appliance is not intended for use by persons (including children) with reduced physical, sensory or mental capabilities, or lack of experience and knowledge, unless they have been given supervision or instruction concerning use of the appliance by a person responsible for their safety.



Before plugging in Airfree slightly shake it to check for any loose parts in its interior caused by unusual transportation event. If loose parts are noticed, please return the unit to the retailer.



Do not place your Airfree in direct contact with water and liquids which may pose electric shock hazard and damage to the unit itself.



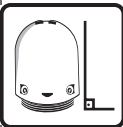
Do not obstruct Airfree air outlets with items such as towels, clothing, curtains, as they can cause overheating and irreparable damage to the unit.



Do not attempt to open Airfree or touch its internal components and/ or insert any objects as it may pose electric shock. Any attempt to open or tamper Airfree will void this warranty.



To clean Airfree, unplug it from the electric outlet and use a dry cloth to wipe off its surface. Do not attempt to open Airfree to clean it inside. Only Airfree authorized dealers have the expertise and authorization to repair your Airfree.



Always keep Airfree in its vertical position as shown in the picture. The anti-stress light will start blinking if Airfree not in its vertical call, or if poor installed or with eventual malfunctioning.



In the event of a return for repair, make sure Airfree is well protected preferably inside its original box to avoid further damage. Airfree nearest dealer may be seen at www.airfree.com



Airfree shall not be placed near flammable and toxic products.

If the supply cord is damaged, it must be replaced by the manufacturer, its service agent or similarly qualified persons in order to avoid a hazard.

The Invisible Enemies

Most people spend around 90% of their time indoors, at home or in the office.

The EPA – Environmental Protection Agency claims the quality of air indoors can be 100 times worse than outdoors. Some factors contribute to indoor contamination:

- High concentration of people in rooms increase fungus, bacteria and virus development, and cross contamination
- New building insulation techniques reduce outside air interchanges and consequently air conditioning running cost, but in turn drastically increase mould, and bacteria colonies
- Deficient air conditioning duct cleaning
- Concentration of organic material such as books, carpeting, curtains, and sofas.

Good air quality indoors is a must for those affected by respiratory diseases and allergies. Contaminated indoor air (fungus, airborne allergens, pollens, ozone) can trigger

- Asthma, bronchitis, rhinitis, and sinusitis
- Fungal infections in immune depressed patients
- Eye, throat and nose irritation
- Headaches, lethargy, irritability
- Cough and difficulty in concentration

Relation between microorganisms and related diseases.

Inoculums(*) X Virulency (**)

human Resistance

(*) Quantity of microorganisms (**) Microorganism aggressiveness

The higher “Inoculums” and “Virulency” and or the lower “Human resistance” results in greater contamination risk to people. The main contamination causes are several types of fungus, (some of them already resistant to the most powerful chemicals and poisons), bacteria, viruses, the fine dust mite excrements and skeletons containing powerful allergens and hazardous fungus, and the seasonal pollens.

Airfree can safely and silently destroy those allergens

Applications



Healthy rooms with pure clean air - The efficient and noiseless Airfree technology safely destroys mould spores, bacteria, viruses and other airborne organic microorganisms.



Respiratory allergies and Asthma - Airfree drastically reduces airborne organic allergens and ozone, providing cleaner and safer environment for allergic people. Airfree destroys mould spores, bacteria, viruses, dust mite allergens, pet dander and reduces ozone, all kept to minimum levels.



Children and Newborns - Studies demonstrate that reducing dust mite allergen exposure to young children will lessen the development of asthma.



Mould and Mildew - Airborne Mould spores that float throughout the house potentially cause allergic reactions. Those spores also start new mould colonies and expand existing ones. Airfree destroys airborne mould and mildew spores, helping to prevent new contaminations.



Odours - Airfree can reduce some odours like “mildew smell” and other organic odours.



Kitchens and Pantries - The reduction of airborne fungi and spores in areas protected by Airfree helps prevent mildew on food.



Video, films, slides, sound and optical equipment - The reduction of airborne spores in rooms protected by Airfree provides the best environment to store cameras, videos, pictures, slides, negatives and any device potentially affected by fungi. Quietly and safely Airfree protects your belongings and memories.



Yatches, Cruisers - Airfree safely eliminates fungi spores, mould, mildew, dust mites, bacteria, and strange odours. Many of which contribute to many common problems to boat owners.



Offices, Public Buildings - Populated rooms, corridors, and elevators offer a constant contamination risk to employees and guests. This situation is aggravated by the flow of hazardous fungi and other microbes entering through the A/C system, and the ozone generated by computers and photocopiers. The spread of airborne transmittable diseases can accelerate in this environment. Airfree is a powerful weapon in the reduction of airborne contamination by viruses, bacteria, fungi, and a myriad of allergens.



Libraries and Museums - The fungi spores that become mould or mildew are always present. When the temperature and moisture in the environment are suitable for germination, the spore bursts and growth begins. This growth contaminates books, clothing, documents, and works of art. Airfree destroys mould and mildew, providing a healthier environment for users and employees.



Schools, Kindergartens - Airborne transmittable diseases are a great concern for students, parents, teachers, and principals. Influenza, meningitis, rubeolla, and other nasty microbes flow freely in the air. The use of Airfree in classrooms demonstrates the principal's concern for their students and staff well being. It also reduce school exposure to lawsuits, like with mould-affected diseases so may common throughout the USA.



Pollens - Pollens are no exception and like other microorganisms are totally destroyed when passing through Airfree patented sterilising core. After being incinerated the resulting harmless particles are released back to the environment.



Ozone (O3) - Ozone is a very toxic gas that according to EPA can damage lung tissue, cause chest pain, throat irritation and trigger asthma. The FDA, the US Food and Drug Administration, recommends not to use any equipment directly or indirectly generating ozone in Hospitals or where the patients are present. Airfree is proven to reduce ozone levels in 26%, every time air passes through its ceramic core.



Viruses, Bacteria, Fungus and Germs - Airfree destroys all airborne microscopic threatening microorganisms cited above including the smallest microbes like those of meningitis, pneumonia and scarlet fever, that can not be trapped in air filters or in other equipment using different technologies. Scientists confirm that virus, fungus, and bacteria molecular structure (composed by proteins), can not survive high temperatures as those seen inside Airfree patented ceramic core.



Hospitals, Clinics and Laboratories - Airborne contamination is quite a concern for most hospitals. With Airfree, the hospital environment becomes safer. Airfree is indispensable in waiting rooms, infirmaries, and recovery rooms due to its efficiency in destroying airborne viruses bacteria, and fungi. Airfree also reduces ozone that can affect patients with respiratory ailments. Laboratories no longer need to stop all activities for chemical air disinfection, gaining working hours.



Restaurants - Airfree offers continuous air sterilisation. Silently, Airfree provides the additional protection that patrons expect. All viruses and bacteria that pass through Airfree's patented sterilising ceramic core are destroyed. Restaurants are recommended to submit their floor plans to insure proper coverage inside their facilities.



Dust Mites - Many allergic reactions are caused by dust mites. The fine dust generated from their skeletons and excrements contain hazardous fungus and allergens that when inhaled cause allergic reactions. Those allergens and fungus are totally destroyed inside Airfree ceramic core. Fungus reduction by Airfree in the indoor environment also reduces dust mite population as they need certain types of fungus to survive.



Hotels and Retire Homes - The use of Airfree in guest rooms shows concern on behalf of the hotel to its guests well being. The use of Airfree can contribute to a higher occupancy rate and may provide a good line of defense in case of lawsuits. Airfree has independent tests proving its efficiency.

Airfree and Mould

Guide for Airfree installation in mould contaminated rooms

- 1 - Install your Airfree unit in accordance with the user manual
- 2 - Allow your unit to run for at least one week to achieve significant airborne mould spore reduction.
- 3 - Clean mould infected items and surfaces, since they are a continuous source of new spores.

It is important to stress that Airfree will not destroy or remove mould from an infected item or surface. Those surfaces must be cleaned manually.

Airfree will prevent spores released by existing mould colonies from contaminating other areas, and will inhibit the growth of existing and new colonies.



Without Airfree



With Airfree

Illustration images based on Airfree Independent Test results. Results may vary depending on the room and environment conditions.

Airfree Description

1- Top Lid with Air outlets and Anti-Stress Light

2- Side Shells

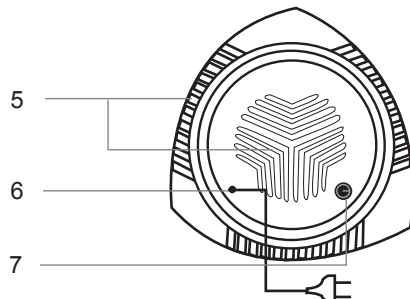
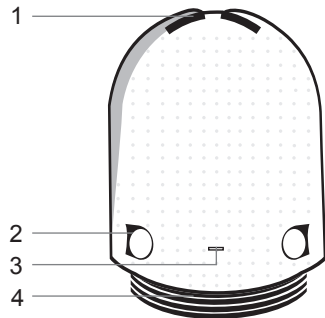
3- On/Off Led

4- Base

5- Air Inlets

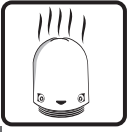
6- Power Cord

7- Anti-Stress Light Dimmer



The Airfree's anti-stress light has an esthetic effect and may be relaxing. It is possible to adjust the light intensity using the dimmer at Airfree's base. The light does not intervene or has any relation with Airfree's patented sterilisation core functioning. (*) **Anti-stress lights not available in the Airfree E40/E60/E80/E125.**

Installing and Connecting



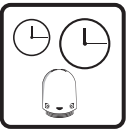
Plug power cord to the nearest outlet.
Make sure the surface is dry (never place Airfree on wet floor or immerge in water) Make sure side blue led is on. Switch on dimmer and the anti-stress light should glow from the top lid (1). After 10 minutes the top lid should be warm. Anti-stress lights not available in the Airfree E40/E60/E80/E125.



Place Airfree on a flat surface not under furniture, shelves, or it under furniture or shelves, behind curtains as it will reduce air flow and Airfree efficiency in reducing microorganisms.



Place each Airfree® in rooms up to 16m² for E40/P40 or 24m² for E60/P60 or 32m² for E80/P80 or 50m² for E125/P125 or 60m² for P150 or 22m² for babyair. For larger rooms use proportionally additional Airfree® units. The use of just one Airfree ® in rooms larger than recommended will reduce Airfree® efficiency.



Airfree must be continuously on in the same room, 24 hours a day.



Airfree is to be used in rooms with minimum air volume of 330 cu. ft. (10 m³), free of obstacles.



Airfree can be placed in corridors but its air sterilisation effects will not affect adjacent rooms



Do not place Airfree in the corridor to try to reach the whole house. In this case Airfree will only reduce air pollution in the corridor area.



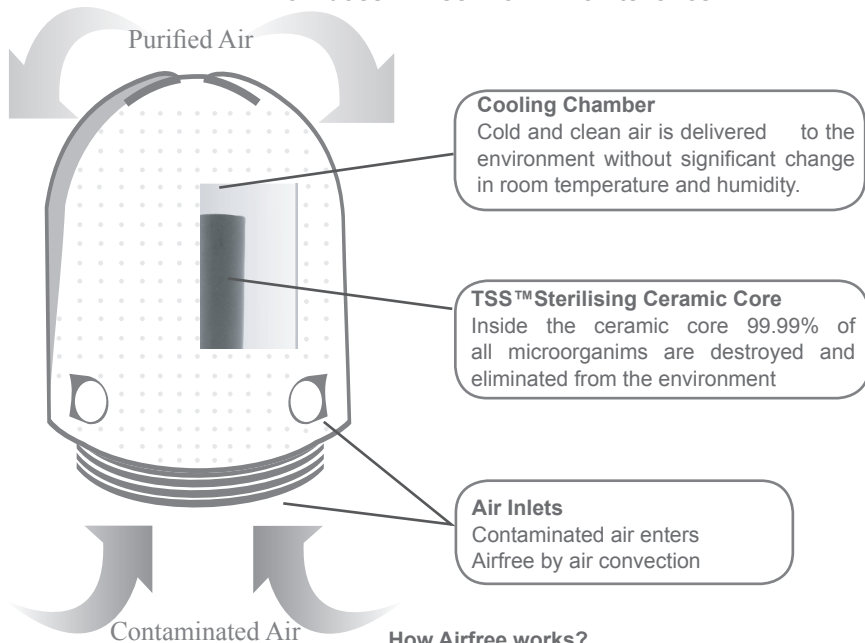
Airfree shall not be placed near doors or under windows to avoid sterilised air to exit the room.

Technical Characteristics



Model	E40/P40	E60/P60	E80/P80	E125/P125	P150	babyair
Capacity	16m ²	24m ²	32m ²	50m ²	60m ²	22m ²
Electric Consumption	40W	45W	48W	50W	52W	45W
Voltage	220V - 240V	220V - 240V	220V - 240V	220V - 240V	220V - 240V	220V - 240V
Noise	Totally Silent	Totally Silent	Totally Silent	Totally Silent	Totally Silent	Totally Silent
Weight	1.09 Kg	1.09 Kg	1.09 Kg	1.27 Kg	1.48 Kg	1.09 Kg
Dimensions	height: 26.5cm diameter: 21.5cm	height: 26.5cm diameter: 21.5cm	height: 26.5cm diameter: 21.5cm	height: 26.5cm diameter: 21.5cm	height: 26.5cm diameter: 21.5cm	height: 26.5cm diameter: 21.5cm

How does Airfree Work? Maintenance



How Airfree works?

Contaminated air silently enters Airfree by air convection and is sterilised inside Airfree patented ceramic core where all microorganisms are destroyed/ incinerated at high temperatures. Regardless of how hazardous a virus, fungus or bacteria might be they can not resist the powerful heat inside the ceramic core and are incinerated. The heat inside the ceramic core forces sterilised air out to the heat exchanger causing air convection, which generates negative pressure underneath the ceramic core, so contaminated air is "sucked" in at Airfree bottom air inlets in a continuous and silent thus efficient air flow.

The association of the ceramic core, special ceramic and air flow reduces at the same time toxic ozone.

**AIRFREE TECHNOLOGY EFFICIENCY TESTS BY INDEPENDENT LABORATORIES,
INSTITUTES AND UNIVERSITIES IN FOLLOWING COUNTRIES.**

Laboratory	Local	Reduction of Microorganisms		
		Fungus	Bacteria	Dust Mite alergens DerP-1
Insect R&D Limited Cambridge, UK	Laboratory			70,6% to 97,95%
SGS Natec Institute* Hamburgo/Germany	Laboratory Office	99%	99%	
Technical Micronics Control Huntsville/USA	Laboratory	93%	78%	
Univ. Complutense de Madrid Madrid/Spain	Clinical Laboratory	69%	79%	
AINIA Valença Spain	Cold Chamber	86%		
INETI* Lisbon/Portugal	Torre do Tombo Portuguese National Archive	93%	94%	
INETI* Lisbon/Portugal	RTP Video Archive	74%	70%	
INETI* Lisbon/Portugal	Bank Branch	77%		
Univ. Nova of Lisbon	Laboratory	90%	62%	
Campana Laboratory/ São Paulo/Brazil	Chemical Laboratory	99%	83%	
INETI* Lisbon/Portugal	Closed Environments	98%	87%	
INETI* Lisbon/Portugal	Hotel Rooms	92%	82%	

Above and other tests can be seen at our web site www.airfree.com

* Certified by ISO 17025

Frequently Asked Questions

1. How does Airfree work?

Airfree destroys microorganisms at its heated capillaries. Contaminated air is dragged into Airfree's ceramic core by air convection and microorganisms are destroyed at high temperatures regardless of how resistant and dangerous they might be.

2. Are there any side effects?

No. Airfree's new technology uses heat to purify the air. No side effects, no emissions, NO IONS, nor new particles are generated. Airfree should be used in all homes and offices, quietly, constantly, and efficiently purifying the air.

3. My Airfree does not stop blinking. What does that mean?

Cause 1: Airfree incorporates an automatic energy-saving feature that automatically shuts off the ceramic core when it reaches over the required temperature to start and maintain the air convection that draws the air into the machine to destroy microorganisms and organic odours. In this event the ceramic core shuts down for a few minutes, and the top lights will blink (in the models that have top lights). During this period Airfree continues to sterilise the air.

Cause 2: Another factor to Airfree's blinking occurrence is the ambient air over 35 °C when Airfree auto-regulates itself to turn off the ceramic core for a few minutes while still sterilising the air, causing the top lights to blink in those models that have the top lights. During this event there is no energy consumption.

Cause 3: Airfree incorporates state of the art electronics detecting any improper placement or device mal-functioning. If the top lights does not stop blinking, please ensure that your Airfree unit is in the upright position. If the top and bottom air inlets are free of blockage, or if your Airfree is connected to a faulty electric outlet. Just in case always plug your Airfree into a different outlet. If in the next 10 minutes the top lights continue blinking and your Airfree unit is correctly installed, that indicates that the device may be defective in which case please contact your dealer.

(*) **The Airfree® E40/E60/ E80/ E125 does not incorporate the Anti-stress lights.**

4. Is there any risk when the top light of Airfree is blinking?

No. When Airfree electronics detect any irregularity it automatically shuts off the TSS™ ceramic core

(*) **The Airfree® E40/E60/ E80/ E125 does not incorporate the Anti-stress lights.**

5. What is Airfree's air cleaning capacity?

E40/P40 was designed for rooms up to 16m². E60/P60 for rooms up to 24m². E80/P80 for rooms up to 32m². E125/P125 for rooms up to 50m². P150 for rooms up to 60m². Airfree® babyair for rooms up to 22m².

6. Can I install Airfree in my walking closet ?

Yes, as long as it has at least 330cu.ft (10m³)*. Airfree should not be placed under shelves or its efficiency will be reduced.

* as reference 330cu.ft (10m³) is approximately 7'x7'

7. Can I use Airfree in air conditioned rooms?

Yes.

8. How do I know if Airfree is no longer working?

Check the top lid, if warm Airfree is working.

9. Can I place Airfree at the corridor to reach the whole house?

No. Airfree will just reduce air pollution in the corridor's area.

10. Can I place Airfree in a closed room?

Yes. Please remember such a room must have at least 330cu.ft (10m³)*. * **330cu.ft is approximately 7'x7'**

11. Does Airfree eliminate bacteria and viruses?

Yes. Unlike the air filters in the market Airfree is more efficient with the smallest microorganisms as they are easily carried by Airfree's airflow into its heated ceramic core.

12. Can I change Airfree from one room to another?

Airfree must always be plugged in the same room 24 hours a day. Airfree's patented technology works gradually and cannot have its cycle interrupted. Moving it from one room to another will interrupt the cycle and will recontaminate the room. See question 13 below.

13. Should I turn off Airfree when I leave house?

No. Airfree must always be on.

14. What happens if Airfree is disconnected or there was a black out?

Airfree will take approximately the same time to recover the previous reduced contamination level.

15. Does CADR measure the effectiveness of the Airfree?

Not at all. CADR is not designed to test the Airfree technology. The AHAM seal (usually found on the back of an air cleaner's box) lists three Clean Air Delivery Rate (CADR) numbers: one for tobacco smoke, one for pollen and one for dust. The CADR indicates volume of filtered air delivered by an air cleaner. The higher the tobacco smoke, pollen and dust numbers, the faster the unit filters the air. The main reason why CADR is not designed for Airfree is because Airfree does not filter but destroys microorganisms instead, CADR only applies to volume of filtered air delivered by an air cleaner as stated above. CADR does not measure microorganism reduction like mould and bacteria only detectable by a microbiology lab. Airfree destroys (not trap or attract to other surface) any microorganism regardless of how small they might be. 99,99% of all organic particles are fully destroyed when passing through the Airfree U.S. patented ceramic core.

16. How does Airfree destroy dust mites?

Mould reduction in the environment causes reduction in the mould dependant dust mite population. Airfree also destroys the harmful toxins and fungus freed by dust mite feces that trigger respiratory allergies.

17. How does Airfree eliminate fungi?

As mentioned before, Airfree eliminates airborne microorganisms included fungi and spores. By eliminating spores new colonies are unlikely to develop, representing less future airborne spores.

18. How does Airfree destroy viruses?

Those microscopic microorganisms are easily eliminated inside Airfree's ceramic core capillaries. The temperature inside of Airfree's capillaries is much higher than required to destroy them. Airfree is your greatest ally in respiratory disease prevention.

19. Does Airfree reduce tobacco smell?

Yes, Airfree reduces any kind of organic smell in the ambience including tobacco.

20. Does Airfree release any gas or chemical product?

No. Airfree's sterilisation process is natural. Please check our website for conclusive tests regarding particles and ozone.

21. Does Airfree heat up a room?

No. Airfree does not noticeable increase room temperature. To have an idea 2 Airfree's plugged in the same room will contribute as much heat as the presence of one adult in that same room.

22. Does Airfree provoke any change in room's the relative humidity?

No.

23. Does Airfree need filter replacement?

No.

24. Does Airfree consume a lot of energy?

No. Airfree's consumption is just 40 Watts for E40/P40, 45 Watts for E60/P60/babyair, 48 Watts for E80/P80, 50 Watts for E125/P125 and 52 Watts for P150.

25 - Does Airfree anti-stress light interfere with Airfree sterilising function?

No. The anti-stress light has an esthetic effect may be relaxing or simply used as a night light in children or newborn bedrooms. According to chromo therapy the blue light has calming and relaxing effect.

26 - Where do the microorganisms go after they are destroyed?

As all living organisms, microorganisms and their products are basically composed by carbon, oxygen and nitrogen. Since Airfree reaches nearly 200°C, all the components are supposed to suffer a combustion process, which liberates carbone dioxide (the same product released by our respiration) and water. Some carbon (or ashes) may remain in the process. If there is some residual allergen left, we might consider that they suffer denaturation, a process involving lost of conformation and function.

It should be noted that we are talking about reactions that occur in a microscopic level, so all these processes or by-products won't be perceived. In this case, there is no need to worry about maintenance.

Warranty

This product is warranted by AIRFREE® PRODUCTS, to the original purchaser to be free from defects in material and workmanship under proper use for a period of two years from date of purchase. During this period, and upon proof of purchase and date of purchase, this product will be repaired or replaced with same or similar model without charges for parts or labor (except for a €10 charge for insurance and handling) at distributor address. To be eligible for the warranty, please register at www.airfree.com or complete your warranty card at the time of purchase and mail it to the distributor. To obtain warranty service, please send the product sales receipt or proof of Purchase, and a check or money order for €10 payable to the distributor. This warranty does not apply to a product that has been misused, abused, or altered without limiting the afore-mentioned, bending or dropping the unit, defects in the electrical installation or fluctuating power levels are presumed to be defects resulting from misuse or abuse.

AIRFREE® PRODUCTS and its affiliates or wholesalers do not make any specific claim as to medicinal uses of this product nor does the manufacturer warrant that the equipment prevents some kind of diseases. NEITHER THIS WARRANTY NOR ANY WARRANTY, EXPRESSED OR IMPLIED, INCLUDING IMPLIED WARRANTIES OR MERCHANTABILITY, SHALL EXTEND BEYOND THE WARRANTY PERIOD. NO RESPONSIBILITY IS ASSUMED FOR ANY INCIDENTAL OR CONSEQUENTIAL DAMAGES, INCLUDING WITHOUT LIMITATION DAMAGES, SOME STATES DO NOT ALLOW LIMITATION ON HOW LONG AN IMPLIED WARRANTY LASTS; SOME STATES DO NOT ALLOW THE EXCLUSION OR LIMITATION OF INCIDENTAL OR CONSEQUENTIAL DAMAGES, SO THE ABOVE LIMITATIONS OR EXCLUSIONS MAY NOT APPLY TO YOU.

AIRFREE® PRODUCTS HEREBY SPECIFICALLY DISCLAIMS ALL EXPRESSED WARRANTIES NOT OTHERWISE SET FORTH HEREIN AND ANY IMPLIED WARRANTIES OR MERCHANTABILITY OR IMPLIED WARRANTIES FOR FITNESS FOR A PARTICULAR PURPOSE. THERE ARE NO WARRANTIES WHICH EXTEND BEYOND THE DESCRIPTION OF THE FACE HEREOF. This warranty gives you specific legal rights; you may have other rights, which vary from state to state, and country to country.

Airfree Produtos Eletrónicos, Lda. Rua Julieta Ferrão nº 12, 1600-131 Lisboa

- Tel.:351 - 213 156 222

- Fax: 351 - 213 516 228

- Web: www.airfree.com

- Mail: info@airfree.com

Sicherheitshinweise



Dieses Gerät ist nicht bestimmt für Personen (einschließlich Kinder) mit verringerten körperlichen, sensorischen oder Geistesfähigkeiten, oder mit Mangel an Erfahrung und Wissen, es sei denn sie werden beaufsichtigt oder ihnen wurden Anweisungen hinsichtlich des Gerätegebrauches von einer Person erteilt, die fuer deren Sicherheit zuständig ist.



Wie alle elektrischen Geräte sollte der Airfree® niemals von Kindern gehandhabt werden.



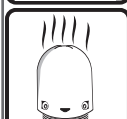
Bevor Sie den Airfree® anschließen, schütteln Sie das Gerät, um sicherzustellen, daß sich während des Transports keine Teile in seinem Inneren gelöst haben. Sollten Sie lose Teile bemerken, senden Sie die Einheit bitte zurück an den Händler.



Bringen Sie den Airfree® niemals in direkten Kontakt mit Wasser oder anderen Flüssigkeiten, da dies zu elektrischen Schlägen und Beschädigungen an der Einheit führt.



Blockieren Sie die Abzüge des Airfree® niemals mit Gegenständen wie Handtüchern, Kleidung oder Vorhängen, da dies zu Überhitzung und irreparablen Schäden an der Einheit führt.



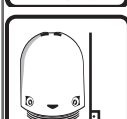
Versuchen Sie nicht, den Airfree® zu öffnen oder seine internen Komponenten zu berühren; führen Sie keinerlei Gegenstände ein, da dies einen Stromschlag hervorruft. Jeder Versuch, den Airfree® zu öffnen oder zu verändern macht diese Garantie nichtig.



Zur Reinigung ziehen Sie den Stecker aus der Steckdose und wischen Sie die Oberfläche mit einem trockenem Tuch. Versuchen Sie nicht, den Airfree® zur Innenreinigung zu öffnen. Nur autorisierte Airfree®-Händler verfügen über die Fachkenntnisse und die Befugnis, Ihren Airfree® zu reparieren.



Bitte auf Kinder achten, um sicherzustellen, dass mit dem Gerät nicht gespielt wird.

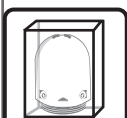


Bitte stellen Sie den Airfree® immer senkrecht auf (wie abgebildet). Versuchen Sie nicht, ihn seitlich geneigt oder unter Möbel zu stellen, oder die Lufteinzugsschlitze und Luftabzüge zu verdecken, so dass die Luft nicht ungehindert ins Gerät ein- und aus dem Gerät ausströmen kann. Sollte einer der genannten Fälle eintreten, so wird der TSS™ Keramik-kern ausgeschaltet, weil das Gerät unter solchen Bedingungen nicht richtig funktionieren kann. Nach ca. einer Minute wird das Anti-Stress-Licht (ausschliesslich in den Modellen P40, P60, P80, P125, P150 und babyair) zu blinken beginnen, um Sie auf die unsachgemäße Aufstellung oder evtl. auf eine Funktionsstörung des Gerätes aufmerksam zu machen. Einige



Sekunden nachdem das Gerät in die richtige Position gebracht wurde, wird das Anti-Stress-Licht aufhören zu blinken.

Stellen Sie den Airfree® nicht in der Nähe von entzündlichen und giftigen Produkten auf.



Wenn Sie den Airfree® zur Reparatur einschicken, stellen Sie sicher, daß das Gerät gut geschützt ist, vorzugsweise in der Originalverpackung, um weitere Schäden zu vermeiden. Den nächstgelegenen Airfree®-Händler finden Sie unter www.airfree.com.

Sollte der Stromkabel beschädigt sein, so muss er vom Hersteller, seinem Dienstleister oder ähnlich qualifiziertem Personal ersetzt werden, um Gefahren vorzubeugen.

Die unsichtbaren Feinde

Die Mehrheit der Menschen verbringt um die 90% ihrer Zeit entweder zuhause oder bei der Arbeit in geschlossenen Räumen. Laut der amerikanischen Umweltschutzbehörde EPA (Environmental Protection Agency) kann die Luftverschmutzung in Innenräumen eine bis zu 100 Mal stärkere Belastung für den menschlichen Organismus darstellen. Folgende Faktoren tragen zur Raumluftverschmutzung bei:

- Eine hohe Ansammlung von Menschen in Räumen erhöht die Entstehung von Pilzen, Bakterien und Viren sowie Kreuzkontamination.
 - Neue Gebäudeinsolierungsarten reduzieren den Luftaustausch zwischen innen und außen und somit auch die Klimaanlagekosten, wobei wiederum Schimmelpilz- und Bakterienkolonien drastisch erhöht werden.
 - Mangelhafte Düsenreinigung der Klimaanlage
 - Konzentration von organischen Materialien wie Büchern, Teppichböden, Vorhängen und Sofas.
- Gute Luftqualität ist ein Muss für diejenigen, die unter Atemwegkrankungen und Allergien leiden. Kontaminierte Luft (Pilze, Allergene in der Luft, Pollen und Ozon) in Innenräumen können folgende Beschwerden hervorrufen:
- Asthma, Bronchitis, Rhinitis und Nebenhöhlenentzündung
 - Pilzinfektionen bei Patienten mit angeschlagenem Immunsystem
 - Gereizte Augen, Hals und Nase
 - Kopfschmerzen, Energielosigkeit, Reizbarkeit
 - Husten und Konzentrationsschwierigkeit

Verhältnis zwischen Mikroorganismen und entsprechenden Erkrankungen.

Inokulum (*) X Giftigkeit (**)

Menschlicher Widerstand

(*) Anzahl von Mikroorganismen (**) Aggressivität der Mikroorganismen

Je höher die Anzahl der "Inokulum" und „Giftigkeit“ und/oder je niedriger der „menschliche Widerstand“, umso höher ist das Kontaminierungsrisiko für Menschen. Die hauptsächlichsten Kontaminierungsursachen sind mehrere Pilzarten wie Bakterien, Viren, Hausstaubmilbenexkremente und Skelette, die kraftvolle Allergene und schädliche Pilze sowie saisonabhängige Pollen enthalten. Mehrere dieser Fremdstoffe sind bereits widerstandsfähig gegen die stärksten Chemikalien und Gifte.

Airfree® zerstört sicher und leise solche Allergene.

Anwendungsbereiche



Gesundes Raumklima mit frischer, sauberer Luft-Die lautlose und effiziente Technologie von Airfree® reinigt konstant die Luft und beseitigt die wachsende Raumluftverschmutzung in Häusern, Büroräumen, Bibliotheken, Museen, öffentlichen Gebäuden, Schulen, Kindergärten, Nahrungsmittelindustrien, militärischen Einrichtungen und überall dort, wo saubere Raumluft unabdingbar ist.



Allergiker und Asthmatiker-Durch die drastische Reduzierung von Allergenen in der Luft sorgt Airfree® für ein saubereres Umfeld für Allergiker. Schimmelpilze, Bakterien, Kot und Überreste von Hausstaubmilben sowie Ozonwerte werden auf ein minimales Maß reduziert.



Babys-Studien bezeugen, dass Kleinkinder weniger anfällig für Asthma sind, wenn sie Hausstaubmilben in geringerem Maße ausgesetzt sind.



Schimmelpilze / Moder-Schimmelpilze und Moder hinterlassen Pilzsporen in der Luft, die durch das ganze Haus zirkulieren und schwere allergische Reaktionen wie tränende Augen, Niesanfälle, eine laufende und verstopfte Nase und Müdigkeit verursachen können. Zudem bilden diese Sporen neue Schimmelpilzkolonien oder vergrößern die bereits existierenden Kolonien. Airfree® zerstört Sporen von Schimmelpilzen und Moder in der Luft und trägt somit dazu bei, ein erneutes Auftreten von Verschmutzungen zu verhindern.



Gerüche-Organische Gerüche werden von Airfree® drastisch reduziert oder gar beseitigt.



Küchen und Vorratskammern-Die Reduzierung von Pilzen und Sporen in der von Airfree® geschützten Luft verhindert Schimmelbildung auf Käse, Brot, Früchten und anderen Lebensmitteln.



Videos, Filme, Dias, akustische und optische Geräte-Die Abwesenheit von Pilzen und Sporen in der durch Airfree® gereinigten Raumluft schafft ein optimales Umfeld für die Lagerung von Kameras, Vi-deos, Bildmaterial, Dias, Negativen und allen anderen Geräten, denen Pilze gefährlich werden können. Airfree® schützt Ihre persönlichen Gegenstände und Erinnerungen zuverlässig und geräuschlos.



Boote und Schiffe-Airfree® beseitigt zuverlässig Pilzsporen, Schimmel, Moder, Staubmilben, Bakterien und strenge Gerüche - einige der typischen Probleme von Bootsbesitzern.



Büroräume und öffentliche Gebäude-Räume, Gänge und Fahrstühle, in denen sich häufig viele Menschen befinden, stellen ein ständiges Ansteckungsrisiko für Angestellte und Besucher dar. Diese Situation wird durch in der Luft befindliche schädliche Pilze, andere Mikroben, die durch die Klimaanlage eintreten, sowie durch das Ozon, das durch Computer und Kopiergeräte erzeugt wird noch verschärft. Solch ein Umfeld kann die Verbreitung von Krankheiten, die durch die Atemluft übertragen werden, noch beschleunigen. Airfree® bekämpft kraftvoll die Luftverschmutzung durch Viren, Bakterien, Pilze, Ozon und unzählige Allergene.



Bibliotheken und Museen-Pilzsporen, aus denen Schimmel oder Moder entsteht, sind überall. Wenn Raumtemperatur und Luftfeuchtigkeit die Keimbildung begünstigen, wachsen und gedeihen die Sporen explosionsartig. Diese Sporen können Bü-cher, Kleidungsstücke, Dokumente und Kunstwerke befallen. Airfree® zerstört Schimmel und Moder und sorgt damit für ein gesünderes Umfeld für Benutzer und Angestellte.



Schulen und Kindergärten-Krankheiten, die durch die Atemluft übertragen werden, stellen eine große Belastung für Schüler, Eltern, Lehrkräfte und Schulleitung dar. Die Erreger der Virusgrippe, der Gehirnhautentzündung und der Röteln sowie andere unangenehme Mikroben schweben frei in der Luft herum. Die Verwen-dung von Airfree® in den Klassenzimmern zeigt, dass das Wohlbefinden von Schülern und Lehrkräften ein großes Anliegen der Schulleitung ist. Außerdem sinkt das Risiko, daß die Schule in einen Rechtsstreit verwickelt wird, wie dies in den Vereinigten Staaten aufgrund von Krankheiten, die durch Schimmelpilze verursacht wurden, bereits häufig der Fall ist.



Pollens-Pollen sind keine Ausnahme und werden genauso wie die Anderen Mirkoorganismen beim Durchlauf durch den patentierten Sterilisierungskern zerstört. Nach Zerstörung werden die entstehenden harmlosen Partikel zurück in die Luft verworfen.



Ozon-Ozon ist ein giftiges Gas, welches das Lungengewebe schädigt, Brustschmerzen, Atemnot und Halsreizungen hervorruft und sogar Asthma auslösen kann. Airfree® reduziert erwiesenermaßen die Ozonwerte im Raum.



Viren und Bakterien-Viren und Bakterien werden bereits bei Temperaturen zerstört, die weit unter der Betriebstemperatur des Airfree® - Keramikerns von etwa 200°C liegen. Auch die tödlichsten und kleinsten Mikroben, wie die Erreger von Gehirnhautentzündungen, Lungenentzündungen und Scharlach, werden beseitigt. All diese gesundheitsgefährdenden Organismen in der Luft werden durch den Airfree® eliminiert.



Krankenhäuser, Kliniken und Labors-Für die meisten Krankenhäuser ist Luftverschmutzung ein sehr wichtiges Thema. Mit dem Gebrauch von Airfree® wird das Krankenhausumfeld sicherer. Durch die effiziente Zerstörung von Viren, Bakterien und Pilzen in der Luft ist Airfree® unabkömmlich in Wartezimmern, Behandlungsräumen und Wachstationen. Zusätzlich reduziert Airfree® den Ozongehalt der Luft, der bei Patienten mit Atemwegsbeschwerden zu Beeinträchtigungen führen kann. Labors müssen die Luft nicht mehr chemisch reinigen lassen und während dieser Zeit sämtliche anderen Aktivitäten unterbrechen. Durch diese Zeitersparnis wird ein ganzer Arbeitstag pro Woche gewonnen.



Restaurants-Airfree® sterilisiert kontinuierlich die Luft und bietet somit ganz dezent zusätzli-chen Schutz für die Gäste. Alle Viren und Bakterien, die den patentierten sterilisierenden Keramikern des Airfree® passieren, werden zerstört. Restaurantinhabern wird empfohlen, uns ihren Grundriß zur Analyse ein-zureichen, um einen flächendeckenden Schutz aller Innenräume zu garantieren.



Hausstaubmilben-Durch die Reduzierung von Schimmelpilzen in der Luft werden auch die Staubmilbenpopulationen reduziert, da diese Schimmelpilze zum Leben brauchen. Airfree® zerstört außerdem den Kot und die Überreste der Staubmilben. Diese Partikelchen sind potentielle Auslöser allergischer Reaktionen und asthmatischer Anfälle.



Hotels und Seniorenheime-Der Gebrauch des Airfree® kann zu einer höheren Belegungsrate beitragen und bietet zudem eine gute Grundlage im Falle eines Rechtsstreits. Die Wirksamkeit von Airfree® wurde in unabhängigen Tests bestätigt.

Airfree® und Schimmel

Anleitung zur Installation von Airfree® in von Schimmel befallenen Räumen:

- 1- Installieren Sie Ihren Airfree® gemäß der Anweisungen der Betriebsanleitung.
- 2- Lassen Sie Ihr Gerät mindestens eine Woche lang laufen, um die Schimmelsporen in der Luft maßgeblich zu reduzieren.
- 3- Reinigen Sie infizierte Gegenstände und Oberflächen, da diese eine unablässige Quelle neuer Sporen sind.

Es wird darauf hingewiesen, dass Airfree® nicht den Schimmel auf infizierten Gegenständen oder Oberflächen zerstört oder entfernt. Diese Oberflächen müssen manuell gereinigt werden.

Airfree® verhindert die Verbreitung der Sporen bestehender Schimmelkolonien auf andere Gebiete und hemmt zugleich das Wachstum der bestehenden Kolonien.

Schimmelsporen in der Luft eines durchschnittlichen Schlafzimmers



Ohne Airfree®-Schutz



Mit Airfree®-Schutz

Die Illustrationen basieren auf unabhängigen Airfree®-Testergebnissen. Die Ergebnisse können je nach Raum und Umweltbedingungen unterschiedlich sein.

Eigenschaften des Airfree®

1- Obere Abdeckung mit Luftabzügen und Anti-Stress-Licht (*)

2- Seitenschalen

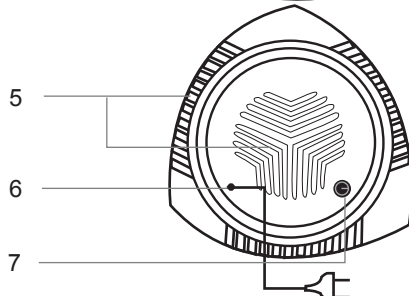
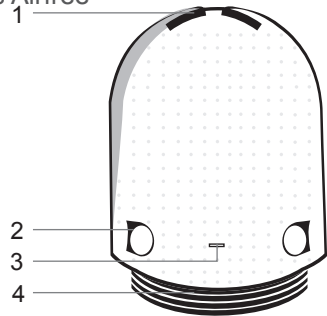
3- Ein/Aus LED-Anzeige

4- Unterteil

5- Lufteinzugsschlitzen

6- Stromkabel

7- Dimmer für Anti-Stress-Licht (*)



Das Anti-Stress-Licht (ausschliesslich in den Modellen P60, P80, P125, P150 und babyair) von Airfree® hat einen ästhetischen Effekt und kann beruhigend wirken. Die Lichtintensität kann mithilfe des Dimmers am Fuss des Airfree® reguliert werden. Das Licht ist nicht störend und funktioniert unabhängig vom Betrieb des patentierten Sterilisierungskerns. (*) Im Airfree® E40/E60/E80/E125 ist kein Anti-Stress-Licht vorhanden.

Installation und Anschluß des Airfree®



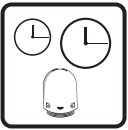
Verbinden Sie das Stromkabel mit der nächstgelegenen Steckdose. Stellen Sie sicher, daß die Oberfläche trocken ist (der Airfree® soll nie auf nassem Fußboden aufgestellt oder in Wasser eingetaucht werden). Vergewissern Sie sich, daß die blaue Leuchtdiode an der Seite leuchtet. Wenn Sie den Dimmer einschalten, sollte das Anti-Stress-Licht (ausschliesslich in den Modellen P60, P80, P125, P150 und babyair) auf der oberen Abdeckung leuchten. Nach 10 Minuten sollte die obere Abdeckung warm werden.



Installieren Sie den Airfree® nicht über oder unter Möbelstücken, da sonst der Luftdurchzug unterbrochen wird und dies die Leistungsfähigkeit des Airfree® einschränkt.



Platzieren Sie den Airfree® in Räumen von Größen bis zu 60 m² für den P150, in Räumen von Größen bis zu 50 m² für den P125/E125, in Räumen von Größen bis zu 32 m² für den P80/E80, in Räumen von Größen bis zu 24 m² für den P60/E60, in Räumen von Größen bis zu 16 m² für den P40/E40, in Räumen von Größen bis zu 22 m² für den babyair. Für größere Räume empfehlen wir, den Proportionen angemessen weitere Airfree®-Einheiten zu verwenden. Die Verwendung eines einzigen Airfree® in Räumen, die die empfohlene Größe überschreiten, vermindert die Wirksamkeit des Airfree®.



Ihr Airfree®-Gerät muss 24 Stunden am Tag im selben Raum in Betrieb sein.



Airfree® sollte nicht in Schränken oder Vorratskammern aufgestellt werden, die kleiner als 11m³ sind, um dort einen Temperaturanstieg zu vermeiden. Stellen Sie den Airfree® auch nicht unter Regale, damit seine luftsterilisierende Leistungsfähigkeit nicht eingeschränkt wird.



Airfree® kann auch in Räumen mit Klimaanlage und Zentralheizung so-wie in Räumen mit tragbaren Heizgeräten installiert werden. Der Airfree® sollte jedoch nicht zu nah an Geräte gestellt werden, die seine Luftströmung beeinträchtigen könnten.



Stellen Sie Airfree® nicht in den Flur, um das gesamte Haus schützen zu versuchen. In diesem Falle reduziert Airfree® nur die Luftverschmutzung im Flurbereich.



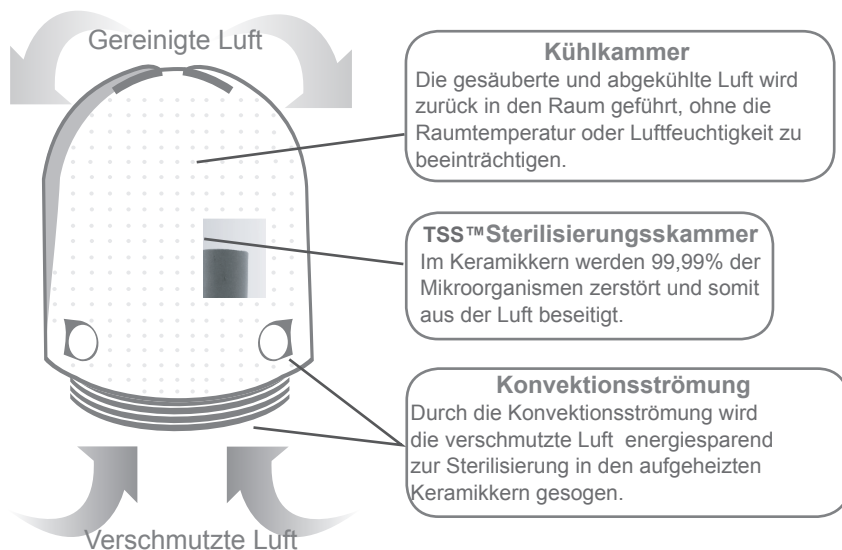
Es ist nicht notwendig, die Räume vollkommen geschlossen zu halten. Die Leistungsfähigkeit des Airfree® wird durch das Öffnen und Schließen von Türen und Fenstern nicht beeinträchtigt. Das Airfree®-Gerät sollte jedoch nicht direkt neben einer Tür oder einem Fenster platziert werden, da die sterilisierte Luft sonst aus dem Raum entweichen kann.

Technische Spezifikationen



Model	E40/P40	E60/P60	E80/P80	E125/P125	P150	babyair
Kapazität	16m ²	24m ²	32m ²	50m ²	60m ²	22m ²
Stromverbrauch	40W	45W	48W	50W	52W	45W
Elektrische Spannung	220-240V	220-240V	220-240V	220-240V	220-240V	220-240V
Geräuschpegel	Lautlos	Lautlos	Lautlos	Lautlos	Lautlos	Lautlos
Gewicht	1.09 Kg	1.09 Kg	1.09 Kg	1.27 Kg	1.48 Kg	1.09 Kg
Maßangaben	Höhe:26.5cm Ø: 21.5cm	Höhe:26.5cm Ø: 21.5cm	Höhe:26.5cm Ø: 21.5cm	Höhe:26.5cm Ø: 21.5cm	Höhe:26.5cm Ø: 21.5cm	Höhe:26.5cm Ø: 21.5cm

Bedienung & Wartung



Bedienung

Verschmutzte Luft wird im Inneren des patentierten Keramikern des Airfree® sterilisiert. Im Keramikern werden Dutzende von Kapillaren auf eine Temperatur von etwa 204°C erhitzt. Mikroorganismen in der Luft werden zerstört (verbrannt), wenn sie den erhitzten Keramikern des Airfree® durchlaufen, egal wie gefährlich oder chemikalienresistent sie sind.

Wenn die sterilisierte Luft aus dem Airfree® strömt, kommt es zur Konvektion. Dieses Phänomen tritt ein, wenn die sterilisierte Luft beim Ausströmen aus den Kapillaren negativen Druck am Eingang des Gerätes aufbaut. So entsteht ein ständiger Kreislauf, in welchem verschmutzte Luft in den Keramikern gesaugt wird, um dort sterilisiert zu werden.

Airfree® - Leistungstests von unabhängigen Laboren, Instituten und Universitäten der folgenden Länder:

Labor	Local	Reduzierung von Mikroorganismen		
		Pilze	Bakterien	DerP-1
Insect R&D Limited Cambridge, UK june, 2005	Labor			70,6% to 97,95%
SGS Natec Institute* Hamburgo/Germany september to november, 2000	Labor-Büro	99%	99%	
Technical Micronics Control Huntesville/USA april 28 to may 14, 1998	Labor	93%	78%	
Univ. Complutense de Madrid Madrid/Spain october 21, 1997	Klinischen Labor	69%	79%	
AINIA Valença Spain june 9 to august 22, 2003	Kältekammer	86%		
INETI* Lisbon/Portugal january 13 to february 18, 1999	Torre do Tombo Portuguese National Archive	93%	94%	
INETI* Lisbon/Portugal may 7 to june 18, 1999	RTP Video-Archiv	74%	70%	
INETI* Lisbon/Portugal april 3 to may 5, 1998	Bankfiliale	77%		
Univ. Nova of Lisbon june 5, 1998	Labor	90%	62%	
Campana Laboratory/ São Paulo/Brazil april 14 to april 29, 1999	Chemielaboranten	99%	83%	
INETI* Lisbon/Portugal november 12 to december 10, 2004	Geschlossenen Räumen	98%	87%	
INETI* Lisbon/Portugal march 19 to april 30, 2001	Hotelzimmer	92%	82%	

Auf die oben stehenden und weitere Testergebnisse kann auf unserer Website www.airfree.com zugegriffen werden.

Häufig gestellte Fragen

1. Wie arbeitet Airfree®?

Der Airfree® zerstört Mikroorganismen in seinen erhitzten Kapillaren. Verschmutzte Luft wird durch Konvektion in den Keramikern des Airfree® gesaugt und alle Mikroorganismen, egal wie resistent oder gefährlich, werden bei hohen Temperaturen zerstört.

2. Gibt es Nebenwirkungen?

Nein. Die neue Technologie des Airfree® arbeitet mit Hitze, um die Raumluft zu optimieren. Es entstehen keine Nebenwirkungen, keine Emissionen, KEINE IONEN oder neuen Partikel. Airfree® sollte in allen Häusern und Büroräumen verwendet werden und wird somit lautlos, konstant und gründlich die Luft reinigen.

3. Das Anti-Stress-Licht meines Airfree® P40 / P60 / P80 / P125 / P150 / babyair blinkt ständig, was bedeutet das? (*)

1e Ursache: Das Airfree®-Gerät beinhaltet eine automatische Energiesparfunktion und schaltet den keramischen Kern automatisch ab, sobald es die Temperaturhöhe erreicht, so dass der Luftstroms stattfindet (die Raufuft wird in das Gerät gesogen, um Unreinheiten, Fremdstoffe und Gerüche zu vernichten). Der Keramische Kern schaltet sich für einige Minuten ab, die Anzeigeleuchte erlischt und die obere Leuchte (LED) blinkt. Das Airfree®-Gerät setzt die Luftsterilisierung fort während dieser Zeit. Somit wird der elektrische Stromverbrauch konserviert und der kermaische Kern nicht abgenutzt.

2e Ursache: Ein weiterer beitragender Grund, dass der Airfree® blinkt, kann die Umgebungsluft sein. Sobald die Umgebungsluft 35 °C erreicht, reguliert sich das Airfree®-Gerät automatisch und schaltet den keramischen Kern für einige Minuten ab, wobei es den Sterilisiervorgang fortsetzt (dies kann durch das Blinken der oberen Leuchte beobachtet werden). Während dieses Prozesses wird Strom konserviert und der Sicherheitsmechanismus des Airfree® verbessert.

3e Ursache: Das Airfree®-Gerät beinhaltet modernste Elektronik, die jedwede unsachgemäße Platzierung oder Fehlfunktion des Gerätes erkennt. Wenn die obere Leuchte nicht aufhört zu blinken, stellen Sie sicher, dass das Airfree®-Gerät sich in aufrechter Position befindet. Falls die oberen und unteren Luftzüge nicht blockiert sind, kann das Blinken auf eine fehlerhafte Steckdose zurückzuführen sein. Stecken Sie es in eine funktionierende Steckdose ein. Sofern die obere Leuchte in den folgenden 10 Minuten wieder losleuchten und Ihr Airfree®-Gerät richtig installiert ist, deutet dies auf ein fehlerhaftes Gerät. Setzen Sie sich mit Ihrem Händler schnellstmöglich in Verbindung. (*) Im Airfree® E40/E60/E80/E125 ist kein Anti-Stress-Licht vorhanden.

4. Bestehen etwaige Risiken, wenn das Licht an der Oberseite des Gerätes (Anti-Stress-Licht) blinkt? (*)

Nein. Wenn die Elektronik des Gerätes irgendeine Unregelmäßigkeit detektiert, wird der TSS™ Keramikern automatisch abgeschaltet. (*) Im Airfree® E40/E60/E80/E125 ist kein Anti-Stress-Licht vorhanden.

5. Wie hoch ist die Luftreinigungskapazität des Airfree®?

Der Airfree® P150 ist konzipiert für Räume mit einer Größe von bis zu 60 m². Der P125/E125 für Räume mit einer Größe von bis zu 50 m². Der P80/E80 für Räume mit einer Größe von bis zu 32 m². Der P60/E60 für Räume mit einer Größe von bis zu 24 m². Der P40/E40 für Räume mit einer Größe von bis zu 16 m². Der babyair für Räume mit einer Größe von bis zu 22 m²

6. Kann ich das Airfree® Gerät auch im Schrank aufstellen?

Ja, solange er mindestens 11m³ groß ist. Airfree® sollte allerdings nicht unter ein Regal gestellt werden, um seine Leistungsfähigkeit nicht einzuschränken.

7. Kann das Airfree® Gerät in Räumen mit Klimaanlage verwendet werden?

Ja.

8. Woran erkenne ich, dass mein Airfree® nicht funktioniert?

Solange die obere Abdeckung warm ist, arbeitet der Airfree® ordnungsgemäß.

9. Kann das Airfree® Gerät im Flur aufgestellt werden, um das gesamte Haus zu schützen?

Nein, Airfree® reduziert sonst nur die Luftverschmutzung im Flurbereich.

10. Kann das Airfree® Gerät in geschlossenen Räumen installiert werden? Ja. Die empfohlene Mindestgröße liegt bei 11m³.

11. Eliminiert der Airfree® Bakterien und Viren?

Ja, sogar kleinste Mikroorganismen werden effektiv zerstört, da sie durch den Luftstrom des Airfree® problemlos in seinen aufgeheizten Keramikern transportiert werden. Darin liegt der große Unterschied zwischen Airfree® und anderen Luftfiltern auf dem Markt.

12. Kann ich einen Airfree® an unterschiedlichen Orten aufstellen?

Nein, der Airfree® muss 24 Stunden am Tag immer im gleichen Raum angeschlossen bleiben. Die patentierte Technologie funktioniert sukzessiv, und der Kreislauf darf nicht unterbrochen werden. Wenn der Airfree® in verschiedenen Räumen aufgestellt wird, wird der Kreislauf unterbrochen.

13. Muss ich den Airfree® ausschalten, wenn ich die Wohnung verlasse?

Nein, der Airfree® sollte immer in Betrieb sein.

14. Was passiert, wenn Airfree® ausgesteckt wird, oder wenn es einen Strom-ausfall gibt?

Der Airfree® benötigt in etwa den gleichen Zeitraum, um den Grad der Luftreinheit vor Unterbrechung der Energiezufuhr wiederherzustellen.

15. Gibt der CADR-Wert die Wirksamkeit des Airfree® an?

Keineswegs. CADR wird nicht dazu verwendet, die Airfree®-Technologie zu testen. Der Airfree® benötigt im Vergleich zu anderen Luftreinigern auf dem Markt eine schwache Luftströmung. Die neue Airfree®-Technologie ist zu 99,99% wirksam und vor allem geräuschlos. Airfree® fängt Partikel nicht ein oder schleust sie zu anderen Oberflächen, sondern zerstört alle Mikroorganismen, egal, wie klein sie sind. 99,99% aller organischen Teilchen (Viren, Bakterien, Schimmel, Sporen, Allergene, Mikroorganismen) werden komplett zerstört, wenn sie den patentierten Keramikern des Airfree® passieren. Die hohe Wirksamkeit des Airfree® wurde von verschiedenen unabhängigen Labors und Universitäten bestätigt. Diese unabhängigen Test wurden in normaler, alltäglicher Umgebung durchgeführt. In den getesteten Räumen wurden durchschnittlich 80% weniger Schimmel und Mikroorganismen in der Luft festgestellt.

16. Wie werden Hausstaubmilben von Airfree® zerstört?

Die Reduzierung von Schimmelpilzen in der Luft führt zu einer Reduzierung der Staubmilbenpopulationen, die sich von Schimmelpilzen ernähren. Airfree® zerstört außerdem die schädlichen Giftstoffe und Pilze aus dem Kot von Hausstaubmilben, die Atemwegsallergien auslösen können.

17. Wie werden Pilze von Airfree® eliminiert?

Wie bereits erwähnt, eliminiert Airfree® alle Mikroorganismen in der Luft, einschließlich Pilze und Sporen. Indem Sporen eliminiert werden, wird die Bildung neuer Kolonien verhindert. Dadurch gibt es weniger Pilze und Sporen in der Luft. Nach und nach werden die Pilzkolonien auf ein Minimum reduziert.

18. Wie zerstört der Airfree® Viren?

Diese mikroskopisch kleinen Organismen werden ganz einfach im Inneren der Kapillaren des Keramikern zerstört. Die Innentemperatur der Kapillaren ist dabei dreimal so hoch, wie sie eigentlich sein müsste, um Viren zu zerstören. Airfree® ist Ihr bester Partner zur Vorbeugung von Atemwegserkrankungen.

19. Reduziert der Airfree® Tabakrauch?

Ja, Airfree® reduziert alle organisch bedingten Gerüche in der Luft, einschließlich Tabakrauch.

20. Setzt der Airfree® Gase oder chemische Produkte frei?

Nein, die Sterilisation basiert auf natürlichen Vorgängen. Bitte lesen Sie dazu auch die eindeutigen Testergebnisse über Partikel und Ozon auf unserer Website.

21. Wird durch Airfree® die Raumtemperatur erhöht?

Nein, die Raumtemperatur wird durch Airfree® nicht erhöht. Zwei Airfree®-Geräte in einem Raum strahlen in etwa die gleiche Wärme aus wie ein Erwachsener im selben Raum.

22. Beeinflusst Airfree® die relative Feuchtigkeit in einem Raum?

Nein.

23. Müssen die Filter des Airfree® gewechselt werden?

Nein, Airfree® arbeitet mit Hitze und nicht mit Filtern. Es entstehen auch keine gefährlichen Emissionen.

24. Braucht der Airfree® viel Strom?

Nein. Der Stromverbrauch des Airfree® liegt lediglich bei 52 Watt für den P150, 50 Watt für den P125/E125, 48 Watt für den P80/E80, 45 Watt für den P60/E60/babyair, 40 Watt für den P40/E40.

25. Wirkt sich das Anti-Stress-Licht des Airfree®-Gerätes negativ auf die Sterilisierungsfunktion aus? (*)

Nein, das Anti-Stress-Licht hat einen ästhetischen Effekt, der entspannend wirken kann. Das Anti-Stress-Licht kann auch als Nachtleuchte in Kinderzimmern benutzt werden. Gemäß der Chromotherapie hat das blaue Licht einen beruhigenden und entspannenden Effekt.

(*) Im Airfree® E40/E60/E80/E125 ist kein Anti-Stress-Licht vorhanden.

26. Wo bleiben die Mikroorganismen nachdem sie zerstört sind?

Wie beliebige lebende Organismen, bestehen Mikroorganismen und Ihre Produkte aus Kohlenstoff, Sauerstoff und Stickstoff. Das Airfree®-Gerät vernichtet diese bei 200 °C, deshalb durchlaufen alle Komponenten der Mikroorganismen einen Verbrennungsprozess, der Kohlendioxid (dieselbe Substanz, die beim Ausatmen entsteht) und Wasser freisetzt. Einiges Kohlenstoff (oder Asche) kann sich während des Prozesses absetzen. Sollten einige Allergene zurückbleiben, so kann man davon ausgehen, dass diese vergaaren bzw. denaturiert werden – ein Vorgang, bei dem die ursprüngliche Konstellation und Funktion verloren geht.

Wir möchten darauf aufmerksam machen, dass es hier um Reaktionen geht, die im mikroskopischen Bereich stattfinden, daher können diese Vorgänge nicht wahrgenommen werden. Aus diesem Grund muss man sich um die Wartung des Gerätes keine Sorgen machen.

Gwährleistung

Für dieses Produkt wird von AIRFREE® PRODUCTS Gewährleistung wie folgt gegeben: Es wird gegenüber dem ursprünglichen Erwerber für eine Dauer von zwei Jahren, beginnend mit dem Kauf, gewährleistet, dass das Produkt bei ordnungsgemäßer Nutzung frei von Defekten im Hinblick auf das Material und die Verarbeitung ist. Während dieser Frist und nach einem Nachweis des Kaufes und des Kaufdatums wird das Produkt repariert oder durch das gleiche Modell ersetzt, ohne Kosten für die Teile oder Arbeitskosten (abgesehen von Kosten in Höhe von €10,00 für Versicherung und Abwicklung) am Ort des Einzelhandelsunternehmens. Um für die Gewährleistung geeignet zu sein, füllen Sie bitte Ihr Gewährleistungszertifikat im Zeitpunkt des Verkaufes aus und senden Sie dieses an das Einzelhandelsunternehmen. Um eine Gewährleistung in Anspruch nehmen zu können, senden Sie bitte die Bestätigung oder den Nachweis über den Kauf und einen Scheck bzw. eine Anweisung über €10,00 an das Einzelhandelsunternehmen. Diese Gewährleistung findet keine Anwendung, wenn das Produkt nicht richtig gebraucht, missbraucht oder verändert wurde, und, ohne das Vorstehende einzuschränken, es wird vermutet, dass Defekte, die zurückzuführen sind auf das Biegen oder das Fallenlassen der Einheit, auf Fehler bei der elektrischen Installation oder schwankende Stromstärken einen Fehlgebrauch oder Missbrauch darstellen.

AIRFREE® PRODUCTS und seine Konzerngesellschaften oder Großhändler erheben keinen besonderen Anspruch im Hinblick auf den medizinischen Gebrauch dieses Produkts noch gewährleistet der Hersteller, dass die Ausrüstung irgend einer Art von Erkrankung vorbeugt.

Weder die Frist dieser Gewährleistung noch sonst eine Gewährleistung, gleich ob diese ausdrücklich oder stillschweigend erklärt wurde, oder Zusagen über die Verkehrsfähigkeit oder die Eignung zu einem bestimmten Zweck soll die hierin festgelegte Gewährleistungsfrist überschreiten.

Es wird keine Verantwortung für unfallbedingte Schäden oder Folgeschäden übernommen, insbesondere nicht für Schäden, für die einige Bundesstaaten keine Beschränkung im Hinblick auf die Dauer einer stillschweigend erklärten Gewährleistung erlauben. Einige Bundesstaaten gestatten den Ausschluss oder die Begrenzung von unfallbedingten Schäden oder Folgeschäden nicht, so dass die vorstehenden Begrenzungen oder Ausschlüsse unter Umständen nicht auf Sie angewendet werden können.

AIRFREE® PRODUCTS schließt hiermit alle ausdrücklichen Gewährleistungen, die nicht auf andere Art hierin in Kraft gesetzt wurden, und alle stillschweigenden Gewährleistungen oder Zusagen über die Verkehrsfähigkeit oder die Eignung zu einem bestimmten Zweck aus. Es gibt keine Gewährleistungen außerhalb denen in den Beschreibungen hierin. Die Gewährleistung gibt Ihnen besondere juristische Rechte; es kann sein, dass Sie weitere Rechte haben, die von Bundesstaat zu Bundesstaat variieren.

Instrucciones de Seguridad



Esta aplicación no está para uso de personas (niños incluyendo) con capacidades físicas, sensoriales o mentales reducidas, o con carencia de la experiencia y del conocimiento, a menos que hayan sido dados la supervisión o la instrucción referente al uso de la aplicación por una persona responsable de su seguridad.



Los niños deben ser supervisados para asegurarse de que no juegan con la aplicación.



Antes de tajarla sacuda levemente Airfree® para saber si hay cuaesquiera partes flojas en su interior causado por acontecimiento inusual del transporte. Si se notan piezas flojas, vuelva por favor la unidad al minorista.



Airfree® no se puede instalar en superficies mojadas.



No colocar ropas, toallas o cualquier objeto arriba o alrededor del Airfree® ya que disminuye la circulación del flujo del aire lo que puede provocar un sobre calentamiento, esto podría dañar el aparato e incluso se podría provocar un corto circuito.



No abrir ni mover piezas internas de Airfree® con potencial de riesgo de la descarga eléctrica. Además, como cualquier dispositivo eléctrico, no puede ser hundido o ser colocado en el agua. Solamente los servicios de reparación autorizados durante y después de la garantía tienen la maestría de reparar Airfree



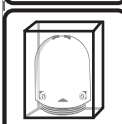
Airfree® como cualquiera otro equipo eléctrico no deberá ser manipulado por los niños.



Para limpiar el Airfree®, desenchufe el hilo y utilice un trapo seco sobre su superficie



Mantener el Airfree® siempre en la vertical según el demostrado en el cuadro. No enchufarlo de lado, debajo de los muebles, o con sus entradas y salidas de aire bloqueadas. Si ocurre cualquiera situación referida anteriormente, la cerámica TSS™ será desconectada porque el Airfree® no trabajará correctamente en esas condiciones. Cerca de 1 minuto después, la luz superior (disponible en los modelos P40/ P60 / P80 / P125 / P150 / babyair) comienza a parpadear para llamar la atención, indicando que la instalación está incorrecta. Pocos segundos después de ser correctamente enchufado, la luz superior parará de parpadear, automáticamente.



Caso sea necesario transportar su Airfree®, asegúrese de que esté protegido, preferentemente en su caja original



Airfree® no deberá ser colocado cerca de productos inflamables y tóxicos.

Si se daña el cable eléctrico, debe ser substituido por el fabricante o el servicio de garantía para evitar ocurrenciasde seguridad.

Enemigos Invisibles

La mayoría de la gente pasa el alrededor de 90% de su tiempo dentro de casa o en la oficina.

El EPA - la Agencia de Protección Ambiental de los E.E.U.U. afirma que la calidad del aire dentro de casa puede ser 100 veces peor que el aire afuera. Algunos factores contribuyen a la contaminación del aire dentro: - La alta concentración de gente en cuartos aumenta los hongos, las bacterias y el desarrollo de los virus, y la contaminación cruzada

- Las nuevas técnicas del aislamiento de los edificios reducen intercambios del aire exterior y por lo tanto la reducción del coste de operación del aire acondicionado, pero alternadamente aumentan drásticamente el molde, y las colonias de las bacterias

- Concentración de material orgánico tal como libros, alfombrado, cortinas, y sofás La buena calidad del aire interno es una necesidad para éstos afectados por enfermedades respiratorias y alergias. El aire interior contaminado (hongos, alergénicos aerotransportados, pollens, ozono) pueden accionar:

- Asma, bronquitis, rinitis, y sinusitis
- Infecciones fungicidas en pacientes inmunes deprimidos
- Irritación de los ojos, de la garganta y de la nariz
- Dolores de cabeza, letargo, irritabilidad
- Tos y dificultad en la concentración

Relación entre los microorganismos y las enfermedades relacionadas:

Inocolums* X Virulency**

Resistencia humana

*cantidad de microorganismos **agresividad del microorganismo

El más alto "Inocolums" y "Virulency" y los resultados más bajos de la "resistencia humana" en mayor riesgo de la contaminación a la gente. Las causas principales de la contaminación son varios tipos de hongos, (algunos de ellos ya resistentes a los productos químicos y los venenos de más gran alcance), las bacterias, los virus, los excrementos y los esqueletos finos de los ácaros del polvo, que contienen los alergénicos de gran alcance y hongos peligrosos, y los pollens estacionales. Airfree® puede destruir con seguridad y silenciosamente esos alergénicos.

Aplicaciones



Ambientes sanos con aire limpio y puro - La tecnología silenciosa y eficaz de Airfree® proporciona la limpieza del aire y la eliminación constante de la contaminación interior en casas, despachos, librerías, museos, edificios públicos, escuelas y todos los sitios donde se necesita bajos niveles de poluciones.



Profilaxis de las alergias - Airfree® es de manera comprobada una solución eficaz en la prevención de la bronquitis, rinitis, asma y otras alergias respiratorias, provocadas por los ácaros, animales domésticos y microorganismos



Bebés - Los estudios demuestran que los niños y bebés con una gran exposición al ácaro tienen una mayor probabilidad de desarrollar asma. Airfree® reduce drásticamente los ácaros y los hongos proporcionando un ambiente mucho más saludable a los bebés.



Moho - El moho es un hongo y por lo tanto es también reducido drásticamente por Airfree®. No más moho en las ropas, artículos del cuero incluso en áreas de humedad. Las paredes pueden ser limpiadas un mes después su instalación que el moho no vuelve. Adiós al moho con Airfree® en su hogar.



Olores - Los olores orgánicos así como el olor del tabaco, se reducen drásticamente con Airfree®.



Cocinas y Despensas - Los hongos y las esporas son reducidos por Airfree®. Evita el moho en el queso, panes, frutas y otros productos alimenticios siendo así conservados por mucho más tiempo.



Dispositivos del vídeo, películas, diapositivas, sonido y ópticos - La ausencia de hongos y de esporas aerotransportados en habitaciones protegidas por Airfree®, proporciona el mejor ambiente a las cámaras fotográficas, videos, cuadros, diapositivas, negativos y cualquier dispositivo potencialmente afectado por los hongos. Airfree® protege con seguridad sus pertenencias y memorias.



Barcos y Cruceros - Airfree® elimina con seguridad las esporas, el moho, las bacterias y los ácaros del polvo que son la causa de problemas comunes para sus dueños.



Despachos y Edificios Públicos - Habitaciones pobladas, pasillos y ascensores son una constante amenaza de contaminación para sus usuarios. Esta situación es agravada pela circulación de peligrosos hongos y otros microbios provenientes del aire acondicionado y por el ozono generado pelos ordenadores y fotocopiadores. La propagación de todos los tipos de enfermedades aero transmisibles pueden prosperar en esos ambientes. Airfree® es un arma segura para reducir todos los potenciales contaminantes microorganismos como los virus, bacterias etc.



Librerías y Museos - Las esporas de los hongos que se transforman en moho están siempre presentes en el aire e en los objetos. Cuando la temperatura y la humedad en el ambiente son las ideales para la germinación, comienza la explotación e crecimiento de los hongos, contaminando libros, ropas, documentos e obras de arte. Airfree® destruye el moho asegurando uno ambiente más saludable para los empleados e visitantes.



Escuelas y Guarderías - Las enfermedades aero transmitidas son una grande preocupación para los padres e directores. Gripe, meningitis, neumonía, rubéola y otros microbios circulan libremente en el aire. Airfree® destruye esos microorganismos reduciendo el riesgo de contaminación.



Polen - El polen no es una excepción y al igual que los microorganismos, este es totalmente destruido cuando pasa por la cerámica esterilizadora patentada del Airfree®. Después de destruidas, las partículas inofensivas son liberadas de nuevo al ambiente.



Ozono - Es un gas toxico que puede danificar los tejidos de la garganta, provocar dolores de pecho, falta de aire, irritación de la garganta e desencadenador de asma.



Virus y Bacterias - Virus y bacterias son destruidos a temperaturas de 200° C. Esto incluye los más pequeños e letales microbios como sars y meningitis. Airfree® destruye todos los microorganismos amenazadores para la salud.



Hospitales, Clínicas y Laboratorios - La contaminación es un problema en la mayoría deseos sitios. Con Airfree® el ambiente general se torna más seguro. La suya eficacia en destruir virus, bacterias y hongos es extraordinaria. Airfree® es indispensable en enfermarías, salas de espera, habitaciones de recuperación etc. Los laboratorios con Airfree® ya no necesitan de parar sus actividades para limpieza del aire, ganando así pelo menos un día de trabajo por semana.



Restaurantes - AIRFREE® ofrece aire esterilizado continuo. Cada Airfree esteriliza 14 m³ de aire por hora. A los clientes les encantará la protección adicional que Airfree proporciona. Todos los virus, bacterias que pasan por este aparato son destruidos. Los restaurantes son aconsejados a fornecer sus planes de suelo a los distribuidores AIRFREE para una mejor instalación de sus unidades en sus instalaciones.



Ácaros Del Polvo - Una reducción de los hongos en el ambiente lleva a una reducción de la población de los ácaros que dependen de estos hongos. Airfree® también destruye las heces e esqueletos de los ácaros del polvo. Esas partículas son grande desencadenadores de las reacciones alérgicas e asmáticas.



Hoteles y Casa De Retiro - El tránsito de clientes y empleados aumenta la población de virus, bacterias y moho en las habitaciones. El denominador común en los hoteles es la escasa ventilación y el aire acondicionado, sinónimos de contaminación interior. Un hotel con Airfree® en sus habitaciones, una muestra más de calidad en sus ervicios y preocupación por el bienestar de sus clientes

Airfree y el moho

Guía para la instalación del Airfree® en habitaciones contaminadas por el moho:

- 1- Instale el Airfree® según el manual;
- 2- Aguarde al menos una semana hasta que se vea una reducción significativa de las esporas del moho;
- 3- Limpie las superficies y los artículos infectados por el moho ya que es una fuente continua de nuevas esporas;

Es importante subrayar que el aparato Airfree® no eliminará el moho de las superficies infectadas. Esas superficies deben ser limpias manualmente. Airfree® evitará que las esporas provenientes de esas fuentes de contaminación, contaminen otras áreas y evitará también el crecimiento de colonias ya existentes.



Sin Airfree



Con Airfree

Las imágenes ilustran las pruebas hechas con Airfree®. Los resultados pueden variar dependiendo de las condiciones de la habitación y del medio ambiente.

Description de Airfree

1-Salida del aire en el topo y luz anti stress (*)

2- Surcos

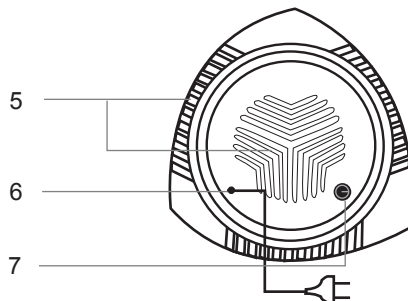
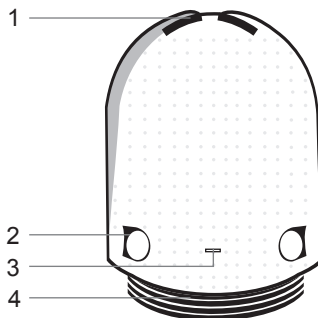
3- Conducto

4- Pies

5- Entrada del aire

6- Cable eléctrico

7- Luz anti stress (*)



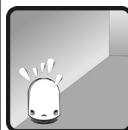
La luz anti stress (disponible en los modelos P40 / P60 / P80 / P125 / P150 / babyair) del Airfree® tiene, aparte de un efecto estético una función relajante. Se puede ajustar su intensidad usando para eso el dimmer que se encuentra en la parte inferior del Airfree®. La luz no interfiere en el funcionamiento de la cerámica esterilizadora. La luz azul tiene un efecto calmante, parece que el tiempo pase mas deprisa, ayudándole a conciliar el sueño. Una agradable sensación de calma y bienestar.



Busque un enchufe cercano. Compruebe que el suelo esté seco (nunca coloque el airfree en un suelo mojado o meterlo en agua). Compruebe que la luz azul se enciende. Encienda el dimmer (disponible en los modelos P150, P125, P80, P60, P40 y babyair) y la luz anti stress debe de salir del topo (1). 10 minutos después el topo debe de estar caliente.



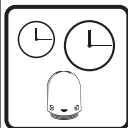
No instale Airfree® debajo de los muebles, esto interrumpe su circulación del aire y reduce su eficacia.



Coloque el Airfree® en habitaciones de hasta 60m² para el modelo P150, 50m² para el modelo P125/E125, 32m² para el modelo P80/E80, 24m² para el modelo P60/E60, 16m² para el modelo P40/E40, 22m² para el modelo babyair. Para habitaciones más grandes, enchufar mas unidades, siempre proporcional a los m². El uso de un único Airfree® en habitaciones más grandes reduce sustancialmente su eficacia.



No instale Airfree® debajo de los muebles, esto interrumpe su circulación del aire y reduce su eficacia.



Airfree® debe estar permanentemente encendido (24 horas al día), siempre en el piso y en el misma habitación.



Airfree® se puede instalar en habitaciones con aire acondicionado central o junto a sistemas de calefacción. Será recomendable no colocar Airfree® demasiado cerca de éstos aparatos pues pueden causar una cierta interferencia en el procedimiento de convección del aire.



La instalación del aparato en los pasillos con el objetivo de esterilizar el aire de las habitaciones o comedores no es aconsejable. Este caso apenas reducirá la polución del asillo.



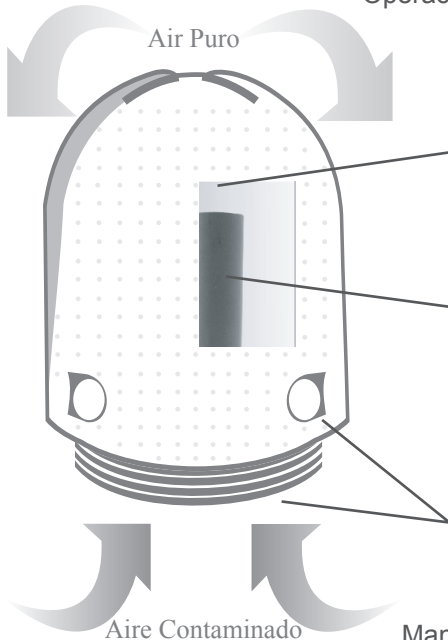
Airfree® no se debe colocar tampoco al lado de puertas o ventanas de forma que el aire esterilizado no pueda salir del ambiente donde está. No es necesario mantener las habitaciones completamente cerradas. La ventilación normal de las casas no perjudica la eficacia del aparato.

Características Airfree



Modelo	E40/P40	E60/P60	E80/P80	E125/P125	P150	babyair
Capacidad	16m ²	24m ²	32m ²	50m ²	60m ²	22m ²
Consumo de Energía	40W	45W	48W	50W	52W	45W
Voltaje	220-240V	220-240V	220-240V	220-240V	220-240V	220-240V
Ruido	Silencioso	Silencioso	Silencioso	Silencioso	Silencioso	Silencioso
Peso	1.09 Kg	1.09 Kg	1.09 Kg	1.27 Kg	1.48 Kg	1.09 Kg
Tamaño	26,5 cm Altura 21,5 cm Ø	26,5 cm Altura 21,5 cm Ø	26,5 cm Altura 21,5 cm Ø	26,5 cm Altura 21,5 cm Ø	26,5 cm Altura 21,5 cm Ø	26,5 cm Altura 21,5 cm Ø

Operación / Mantenimiento



El aire caliente provoca el fenómeno de la convección del aire (el aire caliente sube y sale de los capilares y así se crea una presión negativa en su base y así el nuevo volumen de aire contaminado es aspirado para dentro de los capilares) garantizando un flujo del aire esterilizado de forma continua, silenciosa y eficaz.

TSS™ Núcleo cerámica
La cerámica de esterilización elimina 99,99% de los microorganismos a altas temperaturas (200°C).

El aire es esterilizado dentro de lo conjunto cerámico patentado AIRFREE®.

Mantenimiento

El aire contaminado se esteriliza dentro de la patentada base de cerámica de Airfree®. La base de cerámica de Airfree® tiene docenas de tubos capilares calentados a una temperatura de aproximadamente 200° C. Los microorganismos del aire cuando circulan por esos capilares, son destruidos por el calor (incinerados) por más peligrosos y tóxicos que sean. El aire caliente provoca el fenómeno de la convección del aire (el aire sube y sale de los tubos capilares de cerámica y se crea una presión negativa en la base, así que el nuevo volumen del aire contaminado es aspirado para dentro de los capilares) garantizando una circulación del aire continua, eficaz y silenciosa. Lo extraordinario en la tecnología de Airfree® es que utiliza solamente calor para destruir microorganismos aerotransportados. No hay filtros o piezas móviles a sustituir. Por lo tanto no existe mantenimiento. La tecnología de Airfree® le permite varios años de uso en condiciones normales siguiendo este manual de instrucción.

PRUEBAS DE LA EFICACIA AIRFREE® EN LABORATORIOS INDEPENDENTES DE VARIOS INSTITUTOS Y UNIVERSIDADES EN VARIOS PAÍSES:

Laboratorio	Ciudad/País	Reducción de microorganismos		
		Hongos	Bacteria	Alérgenos de ácaros del polvoDerP-1
Insect R&D Limited Cambridge, UK june, 2005	Laboratorio			70,6% to 97,95%
SGS Natec Institute* Hamburgo/Germany september to november, 2000	Laboratorio	99%	99%	
Technical Micronics Control Huntesville/USA april 28 to may 14, 1998	Laboratorio	93%	78%	
Univ. Complutense de Madrid Madrid/Spain october 21, 1997	Laboratorio Clínico	69%	79%	
AINIA Valença Spain june 9 to august 22, 2003	Cámara fría	86%		
INETI* Lisbon/Portugal january 13 to february 18, 1999	Torre do Tombo Nacional de Portugal archivo	93%	94%	
INETI* Lisbon/Portugal may 7 to june 18, 1999	RTP Archivo de Video	74%	70%	
INETI* Lisbon/Portugal april 3 to may 5, 1998	Sucursal Bancaria	77%		
Univ. Nova of Lisbon june 5, 1998	Laboratorio	90%	62%	
Campana Laboratory/ São Paulo/Brazil april 14 to april 29, 1999	Laboratorio Químico	99%	83%	
INETI* Lisbon/Portugal november 12 to december 10, 2004	Ambientes Cerrados	98%	87%	
INETI* Lisbon/Portugal march 19 to april 30, 2001	Habitaciones del hotel	92%	82%	

Sobre estas pruebas se pueden informar en nuestra Web site www.airfree.com

* Certificado por ISO 17025

1. ¿Cómo funciona Airfree® ?

Airfree® destruye los microorganismos en sus tubos capilares calentados. El aire contaminado se arrastra en Airfree® hasta la base de cerámica por la convección del aire y los microorganismos se destruyen en las altas temperaturas (200°C) por más resistentes que sean.

2. ¿Tiene efectos secundarios?

No. La nueva tecnología de Airfree® utiliza calor para purificar el aire. Ningunos efectos secundarios, ningunas emisiones, NINGUNOS IONES, ni se generan las nuevas partículas. Airfree® se debe utilizar en todos los hogares y oficinas pues es un sistema eficaz, silencioso y constante de purificación del aire.

3. ¿Mi aparato Airfree® no para de parpadear. Que debo hacer? (*)

Causa 1: Airfree® tiene una característica ahorro de energía automática que desconecte la cerámica TSS™ por algunos minutos en que alcanza la temperatura requerida a la convección necesaria del aire (el aire en el cuarto se tira en la máquina para destruir microorganismos, los alérgenos orgánicos y los olores). Durante este período el indicador lateral apaga, y las luces superiores centellan, pero Airfree® continúa esterilizando el aire, asegurando la reducción de la consumición de la energía eléctrica y protegiendo la cerámica TSS™.

Causa 2: Otro factor contributivo a la ocurrencia del centelleo de Airfree® es el aire ambiente. Cuando el aire ambiente alcanza 35°C, Airfree® se auto-se regula "apagando" la cerámica por algunos minutos pero todavía continúa con su actividad de esterilización (el centelleo de las luces superiores y el descoloramiento del LED lateral en los modelos P40/P60/P80/P125/P150/babyair y apenas el descoloramiento del LED lateral en el modelo E40/E60/ E80/ E125, señalan esta ocurrencia). En este proceso se conserva la energía y se mejora la seguridad.

Causa 3: Airfree® incorpora una electrónica avanzada que detecta cualquier colocación o funcionar incorrectos del dispositivo. Si las luces superiores no paran el centellar, asegúrese por favor de que su Airfree® esté en la posición vertical, que las entradas de aire de la tapa y de la parte inferior están libres de obstrucción. El centelleo puede también ser debido a un enchufe eléctrico defectuoso, em este caso, tápelo por favor en un enchufe apropiado. Si en los próximos 10 minutos las luces superiores continúan centellando y su Airfree® está instalado correctamente, és indicación que el dispositivo puede estar defectuoso. En tal caso por favor entre en contacto con su distribuidor autorizado.

(*) El Airfree® E40/E60/E80/E125 no incorpora las luces anti-stress.

4. ¿Hay algun riesgo cuando la luz superior de Airfree® está parpadeando? (*)

No. Cuando la electrónica de Airfree® detecta cualquier irregularidad la luz parpadea automáticamente.

(*) El Airfree® E40/E60/E80/E125 no incorpora las luces anti-stress.

5. ¿Cuál es la capacidad de limpieza del aire de Airfree®?

Airfree® P150 esta recomendado para habitaciones de hasta 60m². Airfree® P125/E125 para habitaciones de hasta 50m². Airfree® P80/E80 para habitaciones de hasta 32m². Airfree® P60/E60 para habitaciones de hasta 24m². Airfree® P40/E40 para habitaciones de hasta 16m². Airfree® babyair para habitaciones de hasta 22m².

6. ¿Puedo instalar Airfree® en mi armario?

Sí, pero debe tener por lo menos 11m³. Airfree® no se debe colocar debajo de estantes pues la eficacia será reducida.

7. ¿Puedo utilizar Airfree® en habitaciones con aire acondicionado?

Sí.

8. ¿Como sé se Airfree® esta funcionando?

Verificar se lo topo de lo aparato esta caliente.

9. ¿Puedo colocar Airfree® en el pasillo para alcanzar la casa entera?

No. Airfree® apenas reducirá la contaminación atmosférica en el área del pasillo.

10. ¿Puedo colocar Airfree® en una habitación cerrada?

Sí. Recuerde por favor que tal sitio debe tener por lo menos 11m³.

11. ¿Airfree® destruye bacterias y virus?

Sí. Al revés de los filtros de aire que existen en el mercado, Airfree® es mucho más eficaz con las más pequeñas partículas ya que son más fácilmente transportadas así a dentro de la cerámica del Airfree®.

12. ¿Puedo cambiar Airfree® de un sitio a otro?

No. Airfree® se debe siempre enchufar en el misma habitación 24 horas al día. La tecnología patentada de Airfree® es gradual y no puede tener su ciclo interrumpido. La mudanza de este de un sitio a otro interrumpirá el ciclo.

13. ¿Debo desconectar Airfree® cuando salgo de la casa?

No. Airfree® debe siempre estar encendido.

14. ¿Qué sucede si se desconecta Airfree® o hay un fallo de luz?

Airfree® tardará aproximadamente el mismo período para recuperar el nivel de contaminación reducido anterior.

15. ¿Puede CADR medir la eficacia de Airfree®?

No. CADR no esta designado para probar la tecnología Airfree®. El sello, normalmente encontrado en la parte de tras de los limpiadores del aire enumeran tres CADR (clean air delivery rate): una para el humo del tabaco, uno para los pólenes y otro para el polvo. El CADR indica el volumen del aire filtrado por un limpiador del aire. Cuanto más altos los valores para el humo del tabaco, del polvo y de los pólenes, más rápido el aparato filtra el aire. Lo principal motivo porque CADR no es indicado para Airfree® es debido a que Airfree® no filtra microorganismos pero si los destruye, y CADR solo se aplica para volumen de aire filtrado como se ha mencionado anteriormente. CADR no mide la reducción de los microorganismos tales como hongos y bacterias que solo se lo puedo hacer en laboratorios de microbiología. Airfree® destruye y (no atrapa o mueve para otras superficies) los microorganismos independientemente de su tamaño. El 99,9% son destruidos cuando pasan a través de la cerámica patentada.

16. Cómo Airfree® destruye los ácaros del polvo?

La reducción del molde en la atmósfera causa una reducción en la población del ácaro del polvo dependiente del molde. Airfree® también destruye las toxinas y los hongos dañosos liberados por las heces del ácaro del polvo que accionan alergias respiratorias.

17. ¿Como Airfree® elimina los hongos?

Según lo mencionado antes el Airfree® elimina los hongos y las esporas incluidos en los microorganismos aerotransportados. Eliminando las esporas no se formará ningunas nuevas colonias, significando menos hongos y esporas en el aire. Se reducirán gradualmente esas colonias de hongos al mínimo.

18. ¿Cómo destruye Airfree® los virus?

Esos microorganismos microscópicos son fácilmente eliminados por Airfree® entrando en el interior de los tubos capilares de cerámica de la base de Airfree®. Airfree® es su más grande aliado en la prevención de las enfermedades respiratorias.

19. ¿Cómo elimina Airfree® el olor del tabaco?

Airfree® elimina cualquier olor orgánico en el ambiente incluyendo el tabaco.

20. ¿Airfree® lanza gas o producto químico?

No. El proceso de la esterilización de Airfree® es natural.

21. ¿El Airfree® calienta una habitación?

No. Airfree® no aumenta la temperatura ambiente. Para tener una idea 2 aparatos de Airfree® enchufados en el misma habitación contribuirán con tanto calor como la presencia de un adulto en el mismo sitio.

22. ¿Airfree® provoca cambio en la humedad relativa del aire?

No.

23. ¿Airfree® necesita el reemplazo del filtro?

No. La tecnología de Airfree® utiliza calor y no filtros ni emisiones peligrosas.

24. ¿Airfree® consume mucha energía?

No. La consumición de Airfree® es apenas 52 vatios para P150, 50 vatios para P125/E125, 48 vatios para P80/E80, 45 vatios para P60/E60/babyair, 40 vatios para P40/E40.

25. ¿La luz anti stress del Airfree® interfiere con la función esterilizadora del aparato? (*)

No. La luz tiene solo un efecto estético y relajante y puede ser usado también por la noche como una luz de presencia en las habitaciones de los niños. de acuerdo con la terapia del cromo la luz azul tiene efectos calmantes y relajantes.

(*) El Airfree® E40/E60/E80/E125 no incorpora las luces anti-stress.

26. ¿Adónde van los microorganismos después de que son destruidos?

Como todos los organismos vivos, los microorganismos y sus productos son compuestos básicamente por el carbón, el oxígeno y el nitrógeno. Puesto que Airfree® alcanza casi 200C, todos los componentes se suponen sufren un proceso de combustión, que libera el dióxido del carbone (el mismo producto lanzado por nuestra respiración) y agua. Un poco de carbón (o las cenizas) pueden permanecer en el proceso. Si hay un poco de alergénico residual, consideramos que sufrieron desnaturalización, un proceso com perda de la conformación y de la función. Debe ser observado que estamos hablando de reacciones que ocurren en un nivel microscópico, así que todos estos procesos o subproductos no serán percibidos. **En este caso, no hay necesidad de preocuparse con mantenimiento.**

Garantía

Para que la garantía tenga validez es necesario la factura de compra y el número de serie.

La garantía cubre defectos de fábrica, material y mano de obra después de ser debidamente comprobado por los servicios técnicos AIRFREE® y por un período de dos años a partir de la fecha de compra. Durante este período, y sobre la prueba de compra y la fecha de compra, este producto será reparado o substituido por el mismo o un modelo similar.

Esta garantía no se aplica a un producto que haya sido usado indebidamente, no conectado de acuerdo con las instrucciones, mal utilizado como por ejemplo pueden ser, una caída del aparato, defectos en la instalación eléctrica o alterar los niveles de la energía, estos defectos se sobreentienden como resultado de uso erróneo o de abuso. Así como se el aparato haya sido alterado o reparado por servicios técnicos extraños a la empresa autorizada por el fabricante.

El fabricante/distribuidor se reserva con el derecho de a cualquier tiempo y sin aviso previo de revisar, modificar o alterar el esterilizador de aire AIRFREE® o cualquier de sus componentes, así como las condiciones aquí mencionadas, sin que con eso incurra en cualquier responsabilidad o obligación para con los revendedores, consumidores o terceros.

Airfree Produtos Eletrónicos, Lda. Rua Julieta Ferrão nº 12, Fracção 201/202 1600-131 Lisboa

- Tel.: 00 351 - 213 156 222

- Fax: 00 351 - 213 516 228

- Web: www.airfree.com

- Mail: info@airfree.com

Istruzioni di sicurezza



Questo apparecchio non può essere utilizzato da persone (bambini compresi) con possibilità fisiche, sensoriali o mentali ridotte, o con mancanza di esperienza, a meno che non siano sotto il controllo di una persona responsabile della loro sicurezza mentre utilizzano l'apparecchio.



I bambini devono essere sorvegliati per accertarsi che non giochino con l'apparecchio.



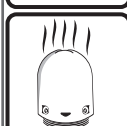
Prima di installare Airfree®, l'apparecchio va agitato delicatamente per controllare che non ci siano delle parti allentate all'interno a seguito di danni riportati durante il trasporto. Se le parti risultano allentate, si prega di restituire l'unità al rivenditore.



Non è raccomandabile installare Airfree® in zone umide/bagnate. Airfree® non deve essere posto vicino a porte o finestre, poiché l'aria trattata potrebbe fuoriuscire.



Non disporre i vestiti, stoffe o alcun articolo sopra o intorno a Airfree® in modo tale che possano arrestare o diminuire la corrente d'aria che Airfree® emette tramite l'uscita superiore. L'ostruzione della presa d'aria può causare un riscaldamento eccessivo, il danneggiamento irreparabile del dispositivo ed il rischio potenziale di incendio.



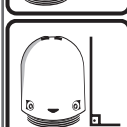
Non cercare di aprire Airfree e non toccare le parti interne. Procedure di questo tipo possono causare potenziali rischi di shock elettrico. Inoltre, come tutti i dispositivi elettrici, non deve essere immerso in acqua. L'apertura e la manutenzione di Airfree® è destinata ai soli tecnici Airfree® durante e dopo la garanzia.



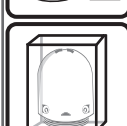
Airfree® come qualunque altra apparecchiatura elettrica non deve essere maneggiato dai bambini.



Per pulire Airfree®, disconnetterlo dalla presa elettrica ed utilizzare un panno asciutto per pulire la superficie esterna. Soltanto i tecnici autorizzati da Airfree® hanno l'autorizzazione per riparare il vostro Airfree®.



Mantenere sempre Airfree® in posizione verticale come indicato nell'immagine. Se disposto in altro modo, il TSS™ (Termodynamic Sterilization System) non funzionerà più in maniera efficace in quanto l'apparecchiatura, in quelle circostanze, non riuscirà a funzionare correttamente e dopo un minuto la *luce anti-stress inizierà a lampeggiare per richiamare la Vostra attenzione. *(disponibile in Airfree® P40, P60, P80, P125, P150 e babyair)



In caso di restituzione per una riparazione, assicurarsi che Airfree® sia protetto all'interno della scatola originale per evitare ulteriori danni. Il rivenditore Airfree® più vicino di può essere trovato su www.airfree.com.



Airfree non deve essere posizionato vicino a prodotti infiammabili o tossici.

Se il cavo di alimentazione è danneggiato, deve essere sostituito dal fornitore o dal servizio della garanzia di Airfree® per evitare rischi legati alla sicurezza.

I nostri nemici invisibili

La maggior parte delle persone trascorrono circa il 90% del loro tempo in casa o in ufficio.

L'agenzia statunitense EPA - Environmental Protection Agency sostiene che la qualità dell'aria degli ambienti interni può essere 100 volte peggiore che all'aperto. Alcuni fattori contribuiscono alla contaminazione interna:

- con un'alta concentrazione di persone aumentano i funghi, i batteri e lo sviluppo di virus e la contaminazione incrociata
- le nuove tecniche di isolamento degli edifici riducono gli interscambi di aria e di conseguenza i costi legati al condizionamento dell'aria, ma a loro volta aumentano drasticamente la muffa e lo sviluppo di colonie di batteri.
- mancanza di pulizia nei condotti dell'aria condizionata.
- concentrazione di materiale organico come libri, moquette, tende e divani.

Una buona qualità dell'aria interna è indispensabile per le persone colpite da malattie respiratorie e da allergie.

I contaminanti dell'aria interna (funghi, allergeni, pollini, ozono) possono innescare

- asma, bronchiti, riniti e sinusiti.
- infezioni fungine nei pazienti immunodeficienti
- irritazioni alla gola, occhi e naso
- emicrania, irritabilità, sonnolenza
- malessere e difficoltà di concentrazione

Rapporto tra microrganismi e inerenti malattie.

Inoculum(*) X Virulency (**)

Resistenza Umana

(*)Quantità di microrganismi (**) Aggressività dei microorganismi

All'aumentare di "Inoculum" e "Virulency" o al diminuire della Resistenza Umana si verifica una maggiore contaminazione ed un maggior rischio per le persone.

Le cause principali di contaminazione sono diversi tipi di funghi, (alcuni dei quali resistenti ai prodotti chimici e ai veleni più potenti), i batteri, i virus, i minuscoli escrementi degli acari della polvere e scheletri contenenti allergeni potenti e funghi pericolosi e i pollini stagionali.

Airfree può tranquillamente e silenziosamente distruggere questi allergeni.

Applicazioni



Ambienti sani con aria depurata - La tecnologia silenziosa ed efficace di Airfree® fornisce aria pulita riduce la contaminazione ambientale.



Individui allergici ed asmatici - La notevole riduzione degli allergeni dovuta all'uso di Airfree® aiuta a depurare gli ambienti per le persone allergiche. Acari ed allergeni sono ridotti ai minimi livelli. Il sollievo per una persona allergica è dato dalla riduzione degli allergeni e quindi dalla riduzione dei sintomi.



Neonati e bambini - Studi hanno dimostrato che una riduzione dell'esposizione agli acari da parte di neonati e bambini diminuisce la possibilità di sviluppare asma.



Funghi - Airfree® riduce drasticamente tutti i tipi di funghi. Non più funghi sulla pelle, né su indumenti, neppure nelle zone più umide della casa. I funghi e le loro spore sono distrutti all'interno del nucleo ceramico di Airfree® ad altissime temperature. Con Airfree® dite addio ai funghi in casa Vostra.



Odori - Gli odori organici sono drasticamente ridotti o addirittura eliminati da Airfree®.



Cucine e dispense - Riduzione di funghi e spore in qualsiasi area protetta da Airfree®. Evita il formarsi di muffe sui formaggi, sul pane, sulla frutta ed altri alimenti.



Video, film, diapositive e dispositivi sonori ed ottici - L'assenza di funghi e spore rende gli ambienti protetti da Airfree® ideali per la conservazione di videocamere, videocassette, foto, diapositive, negativi ed altri dispositivi che sviluppano funghi. Silenziosamente ed in modo sicuro, Airfree® protegge i Vostri oggetti ed i Vostri ricordi.



Yatches, imbarcazioni da turismo e da pesca - Airfree® elimina in modo sicuro le spore dei funghi, la muffa, gli acari della polvere e i batteri che provocano cattivi odori, contribuendo a risolvere questo genere di problemi anche in barca.



Uffici, edifici pubblici - Le stanze, i corridoi e gli ascensori molto frequentati presentano un rischio costante di contaminazione sia per gli impiegati che per gli ospiti. Questa situazione si aggrava a causa del flusso delle spore dei funghi e di altri microbi immessi attraverso l'aria condizionata, e soprattutto dall'ozono prodotto da stampanti laser, computer e fotocopiatrici. La diffusione delle malattie trasmissibili per via aerea viene accelerata in un ambiente chiuso. Airfree® è un'arma potente nella riduzione della contaminazione causata dalla dispersione nell'aria di virus, batteri, funghi, ozono e da una serie di allergeni.



Biblioteche e musei - Le spore dei funghi che creano la muffa sono sempre presenti. Quando la temperatura e l'umidità nell'ambiente creano le condizioni adatte, la spora fa germinare la muffa e lo sviluppo comincia. Questo sviluppo contamina i libri, i vestiti, i documenti e le opere d'arte. Airfree® distrugge la muffa eliminando le spore, contribuendo ad un ambiente più sano per gli utenti e gli impiegati, proteggendo anche le opere antiche.



Scuole, asili - L'uso di Airfree® nelle aule testimonia la cura dei dirigenti per il benessere del personale e dell'allievo.



Pollini - I pollini vengono completamente distrutti attraverso il nucleo di sterilizzazione brevettato da Airfree®. Dopo aver distrutto i pollini le particelle denaturate e rese inoffensive sono liberate di nuovo all'ambiente.



Ozono (O3) - L'ozono è un gas molto tossico che secondo EPA può danneggiare il tessuto polmonare, provocare dolori al torace, irritazione della gola e agli occhi e causare asma. La FDA degli Stati Uniti suggerisce di non utilizzare direttamente o indirettamente alcuna apparecchiatura che generi ozono in ospedali o dove sono presenti i pazienti. Anche le ultime direttive europee impongono la riduzione di tali emissioni. Airfree® riduce i livelli dell'ozono del 26% tramite il suo speciale nucleo di ceramica.



Virus, batteri, funghi e germi - Airfree® distrugge tutti i microrganismi più microscopici e pericolosi dispersi nell'aria sopra citati. Gli scienziati confermano che i virus, i funghi e la struttura molecolare dei batteri (composta di proteine), non possono sopravvivere a temperature elevate come quelle raggiunte nel nucleo di ceramica brevettato di Airfree®.



Ospedali, cliniche e laboratori - Con l'uso di Airfree®, l'ambiente dell'ospedale diventa più igienico. I laboratori di analisi non devono più arrestare tutte le attività per la purificazione dell'aria.



Ristoranti - Airfree® produce la sterilizzazione continua dell'aria. Silenziosamente, Airfree® assicura una protezione addizionale coadiuvando i sistemi usati per l'igiene degli ambienti. Tutti i virus e i batteri che attraversano il nucleo ceramico di sterilizzazione brevettato del Airfree® vengono distrutti.



Acari della polvere - Molte reazioni allergiche sono causate dagli acari della polvere. La polvere fine generata dai loro scheletri e dagli escrementi contiene funghi e allergeni e quando viene inalata causa reazioni allergiche. Questi allergeni e i funghi sono completamente distrutti nel nucleo interno di ceramica di Airfree®. Inoltre, la riduzione dei funghi nell'ambiente riduce la popolazione degli acari della polvere, in quanto hanno bisogno di determinati tipi di funghi per sopravvivere.



Hotels e case di riposo - L'uso di Airfree® nelle stanze degli ospiti dimostra la cura per il benessere dei clienti. Airfree® ha prove di laboratori indipendenti che dimostrano la sua efficienza.

Airfree® e la muffa

Consigli per l'installazione di Airfree® in stanze contaminate dalla muffa:

1 - Installare l'unità Airfree® secondo le norme contenute nel manuale.

2 - attendere che l'unità Airfree® funzioni per almeno una settimana per constatare una significativa riduzione delle spore della muffa.

3 - Pulire gli oggetti e le superfici infettate dalla muffa con apposite soluzioni, poiché sono una continua fonte di nuove spore.

È importante avvertire che Airfree® non distruggerà o non rimuoverà la muffa che ha infettato un oggetto o una superficie. Tali superfici devono essere pulite manualmente rimuovendo la muffa. Airfree® impedirà che le spore liberate dalle colonie di muffa vadano a contaminare altre zone ed inibirà lo sviluppo delle colonie attuali.



Senza Airfree®



Con Airfree®

Immagini e illustrazioni sono basate sui risultati delle prove indipendenti di Airfree®. I risultati possono variare a seconda della stanza e delle condizioni ambientali.

Descrizione di Airfree®

1- Parte superiore

2- Coperture laterali

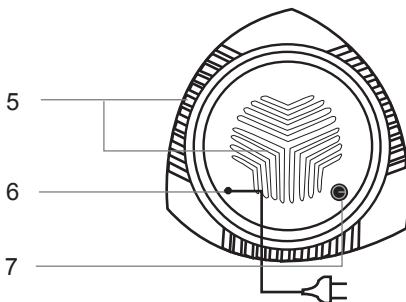
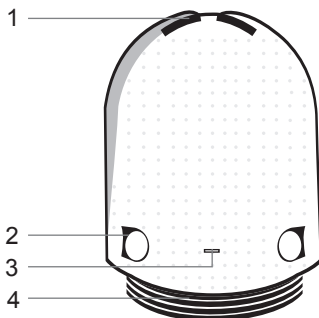
3- Led acceso/spento

4- Piedini

5- Prese d'aria

6- Cavo di alimentazione

7- Luce Anti-Stress (*)



La luce anti-stress di Airfree® ha un effetto estetico e distensivo. È possibile regolare l'intensità della luce per mezzo del regolatore di luminosità che si trova nel comparto inferiore di Airfree®. La luce non interviene o non ha alcun rapporto con il funzionamento del nucleo di sterilizzazione di Airfree®.

*(disponibile in Airfree® P40, P60, P80, P125, P150 e babyair)

Istallazione e connessioni



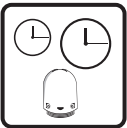
Collegare il cavo di alimentazione alla presa più vicina. Assicurarsi che la superficie sia asciutta (non disporre mai Airfree® su pavimenti bagnati o immergerlo in acqua) assicurarsi che la spia azzurra laterale si accenda. Impostare il regolatore della luminosità (disponibile in Airfree® P40, P60, P80, P125, P150 e babyair) e la luce anti-stress dovrebbe essere emessa dal coperchio superiore (1). Dopo 10 minuti circa il coperchio superiore dovrebbe essere caldo.



Non installare Airfree® sopra o sotto i mobili, poiché questo bloccherebbe i flussi d'aria e ridurrebbe la sua efficacia.



Posizionare P150 in stanze fino a 60m², P125/E125 in stanze fino a 50m², P80/E80 in stanze fino a 32m², P60/E60 in stanze fino a 24m², P40/E40 in stanze fino a 16m², babyair in stanze fino a 22m². Per le stanze più grandi usare altre unità supplementari di Airfree® proporzionandole alla metratura. L'uso di un Airfree® in una stanza con cubatura superiore a quanto suggerito dal modello Airfree® riduce in modo considerevole l'efficacia di Airfree®.



Airfree® deve funzionare 24 ore su 24 e sempre nella stessa posizione.



Airfree® può essere installato in dispense e ripostigli se superiori a 11m³. Non posizionarlo sotto le scaffalature.



Si raccomanda di posizionare Airfree® lontano da apparecchiature che possano causare interferenze con i flussi d'aria emessi da Airfree®.



Non disporre Airfree® nel corridoio per purificare l'aria di tutta la casa. In questo caso Airfree® ridurrà soltanto la contaminazione dell'aria nella zona del corridoio.



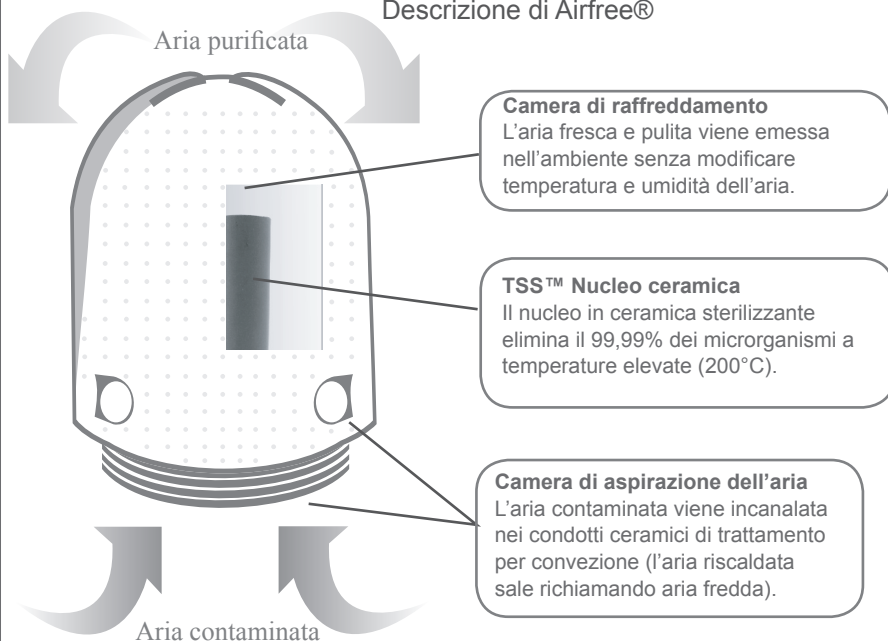
Airfree® funziona meglio nelle sale con le finestre chiuse. Tuttavia aprire la finestra un'ora o due per permettere lo scambio di aria con l'esterno non compromette l'efficienza di Airfree®. Non disporre Airfree® vicino a porte o sotto la finestra per evitare che l'aria sterilizzata esca dalla stanza.

Caratteristiche di Airfree®



Modello	E40/P40	E60/P60	E80/P80	E125/P125	P150	babyair
Capacità	16m ²	24m ²	32m ²	50m ²	60m ²	22m ²
Consumo	40W	45W	48W	50W	52W	45W
Voltaggio	220-240V	220-240V	220-240V	220-240V	220-240V	220-240V
Rumore	Silenzioso	Silenzioso	Silenzioso	Silenzioso	Silenzioso	Silenzioso
Peso	1.09 Kg	1.09 Kg	1.09 Kg	1.27 Kg	1.48 Kg	1.09 Kg
Dimensioni	altezza: 26.5cm Ø 21.5cm	altezza: 26.5cm Ø 21.5cm	altezza: 26.5cm Ø 21.5cm	altezza: 26.5cm Ø 21.5cm	altezza: 26.5cm Ø 21.5cm	altezza: 26.5cm Ø 21.5cm

Descrizione di Airfree®



Funzionalità

L'aria contaminata viene trattata all'interno del nucleo ceramico brevettato di Airfree®. Il nucleo ceramico di Airfree® è provvisto di molteplici condotti riscaldati ad una temperatura di circa 200°C. I microrganismi organici vengono distrutti (inceneriti) nel momento in cui passano attraverso i condotti ceramici riscaldati di Airfree®, a prescindere dalla loro pericolosità o resistenza a sostanze chimiche.

L'EFFICACIA DI AIRFREE® E' STATA COMPROVATA DA LABORATORI, ISTITUTI ED UNIVERSITA' INDIPENDENTI NEI SEGUENTI PAESI.

Laboratorio	Locazione	Riduzione dei microrganismi		
		Funghi	Batteri	DerP-1
Insect R&D Limited Cambridge, UK giugno, 2005	Laboratorio			70,6% to 97,95%
SGS Natec Institute* Hamburgo/Germany settembre - novembre, 2000	Laboratorio di ufficio	99%	99%	
Technical Micronics Control Huntesville/USA 28 aprile - 14 maggio, 1998	Laboratorio	93%	78%	
Univ. Complutense de Madrid Madrid/Spain 21 ottobre, 1997	Laboratorio Clinico	69%	79%	
AINIA Valença Spain giugno - 22 agosto, 2003	Camera fredda	86%		
INETI* Lisbon/Portugal 13 January -18 febbraio, 1999	Torre do Tombo Archivio Nazionale Portoghese	93%	94%	
INETI* Lisbon/Portugal 7 maggio-18 giugno, 1999	RTP Archivio Video	74%	70%	
INETI* Lisbon/Portugal 3 aprile - 05 maggio, 1998	Banca Filiale	77%		
Univ. Nova of Lisbon giugno, 1998	Laboratorio	90%	62%	
Campana Laboratory/ São Paulo/Brazil 14 aprile - 29 aprile, 1999	Laboratorio Chimico	99%	83%	
INETI* Lisbon/Portugal 12 novembre - 10 dicembre, 2004	Ambienti Chiusi	98%	87%	
INETI* Lisbon/Portugal 19 maggio - 30 aprile, 2001	Camera d'Albergo	92%	82%	

I test comprovanti l'efficacia di Airfree® possono essere consultati sul sito www.airfree.com

* Certificato ISO 17025

1. Come funziona Airfree®?

Airfree® distrugge i microrganismi all'interno del nucleo ceramico brevettato. L'aria contaminata viene spinta all'interno del nucleo ceramico per convezione ed i microrganismi vengono distrutti ad alte temperature, a prescindere da quanto possano essere resistenti o pericolosi.

2. Airfree® ha degli effetti collaterali (o indesiderati)?

No. La nuova tecnologia utilizza il calore per depurare l'aria. Non vi sono effetti indesiderati, nessuna emissione né produzione di ioni, né di particelle. Airfree® dovrebbe essere utilizzato in tutte le case e gli uffici per depurare silenziosamente, costantemente ed efficacemente l'aria.

3. Airfree® non smette di lampeggiare. Che significa? (*)

Causa 1: Airfree® ha una funzione economizzatrice d'energia automatica che spegne il piatto ceramico TSS™ quando raggiunge la temperatura interna richiesta per generare il flusso necessario di convezione dell'aria che spinge l'aria contaminata dalla stanza in Airfree®, per distruggere i microrganismi, gli allergeni organici e gli odori. Durante questo processo l'indicatore laterale si spegne, la luce "anti-stress" lampeggia, ma Airfree® continua a sterilizzare l'aria durante questo breve periodo. Questa procedura, riduce il consumo di energia elettrica e protegge il piatto ceramico TSS™.

Causa 2: Un altro fattore può portare al lampeggiamento di Airfree®: è la temperatura dell'aria ambientale. Quando l'aria della stanza raggiunge i 35°C, Airfree® si auto regola e stacca il piatto ceramico TSS™ per alcuni minuti, ma continua a sterilizzare l'aria (il lampeggiamento della luce superiore e l'interruzione della luce LED laterale sui modelli P60/P80/P125/P150/babyair e l'interruzione della luce LED laterale sul modello E40/ E60/ E80/ E125, segnalano questo avvenimento). In questo processo viene conservata energia e aumenta la sicurezza di Airfree®.

Causa 3: Airfree® comprende un'elettronica avanzata che rileva ed avverte della collocazione errata e del funzionamento improprio. Se la luce superiore non smette di lampeggiare, accertarsi che il vostro Airfree® sia nella posizione dritta, che le prese d'aria del basso e dell'alto non siano ostruite. Il lampeggiamento inoltre può essere dovuto a una presa elettrica difettosa, in questo caso utilizzare una presa funzionante. Se in 10 minuti le luci superiori continuano a lampeggiare e se il vostro Airfree® è installato correttamente, indica che il dispositivo non funziona correttamente. In questo caso è necessario riportare Airfree® presso il negozio in cui è stato comprato.

(*) L'Airfree® E40/E60/E80/E125 non comprende la luce Anti-stress.

4. C'è qualche rischio quando la luce superiore di Airfree lampeggia?

No. Quando l'elettronica di Airfree rileva eventuali irregolarità spegne automaticamente il piatto ceramico TSS™

(*) L'Airfree® E40/E60/E80/E125 non comprende le luci Anti-stress.

5. Quale è la capacità di purificazione d'aria di Airfree?

Airfree® P150 è stato progettato per le stanze fino ad un massimo di 60m²; Airfree® P125/E125 è stato progettato per le stanze fino ad un massimo di 50m². Airfree® P80/E80 è stato progettato per le stanze fino ad

un massimo di 32m². Airfree® P60/E60 è stato progettato per le stanze fino ad un massimo di 24m²;

Airfree®

P40/E40 è stato progettato per le stanze fino ad un massimo di 16m². Airfree® babyair è stato progettato per le stanze fino ad un massimo di 22m².

6. Si può installare Airfree® in ripostiglio o in una piccola stanza?

Sì, ma assicurarsi che il locale abbia un volume maggiore di 11m³. Airfree® non deve essere posto sotto le scaffalature poiché potrebbero diminuire la sua efficacia.

7. Airfree® può essere utilizzato in ambienti con aria condizionata?

Sì.

8. Come si fa a sapere se Airfree® non funziona?

Basta toccare la parte superiore, se è calda, Airfree® funziona correttamente.

9. Airfree® può essere installato in corridoio così da poter raggiungere tutta la casa?

No. In questo caso Airfree® ridurrà la contaminazione esclusivamente all'interno del corridoio.

10. Si può installare in una stanza chiusa?

Sì, purché abbia almeno 11m³ di volume.

11. Airfree® elimina batteri e virus?

Sì. A differenza di dispositivi che utilizzano filtri, Airfree® è risultato maggiormente efficace anche con i microrganismi più piccoli, poiché essi vengono facilmente spinti dai flussi di aria all'interno del nucleo ceramico di Airfree®.

12. Si può spostare Airfree® da una stanza ad un'altra?

No. Airfree® deve rimanere collegato sempre nella stessa stanza 24 ore al giorno. La tecnologia brevettata di Airfree® funziona gradualmente e non si deve interrompere il suo ciclo. Spostandolo da una stanza all'altra si interromperebbe il ciclo.

13. Quando si esce da casa Airfree® si deve spegnere?

No. Airfree® deve rimanere sempre acceso.

14. Cosa succede se si scollega Airfree® o in caso di black out?

Airfree® impiegherà approssimativamente lo stesso tempo per recuperare il livello di contaminazione precedentemente ridotto.

15. Il CADR misura l'efficacia del Airfree®?

Assolutamente no. Il CADR (Clean Air Delivery Rate) non è adatto a verificare il grado di efficacia della tecnologia Airfree®. La guarnizione di AHAM (che si trova solitamente sulla parte posteriore di una scatola di un purificatore d'aria) elenca tre livelli di tasso di purificazione d'aria (CADR): uno per il fumo di tabacco, uno per il polline ed uno per la polvere. Il CADR indica il volume di aria filtrata da un depuratore di aria. Più alti sono i valori di fumo di tabacco, polline e polvere, più velocemente l'unità filtra l'aria. La ragione principale per la quale CADR non è progettato per Airfree® è perché Airfree® non filtra ma distrugge i microrganismi denaturandoli attraverso il processo termico. Il CADR si applica invece a volumi di aria filtrata trasportata da un depuratore d'aria come detto in precedenza. Il CADR non misura la riduzione dei microrganismi come la muffa ed i batteri che è un dato rilevabile soltanto da un laboratorio di microbiologia. Airfree® distrugge (non prendendoli o facendoli attrarre da una superficie) tutti i microrganismi senza riguardo a quanto piccoli o pericolosi possono essere. Il 99.99% di tutte le particelle organiche vengono completamente distrutte attraverso il nucleo di ceramica di Airfree® brevettato negli Stati Uniti.

16. In che modo Airfree® distrugge gli acari?

Airfree® elimina i funghi indispensabili per la sopravvivenza degli acari, sia a livello di cibo che per la loro digestione. Gli acari vengono ridotti nella stessa percentuale di riduzione dei funghi.

17. In che modo Airfree® elimina i funghi?

Come spiegato sopra, Airfree® elimina i microrganismi ambientali, inclusi funghi e spore. Eliminando le spore, si bloccherà la formazione di nuove colonie che saranno mantenute a livelli molto bassi.

18. In che modo Airfree® distrugge i virus?

Questi microscopici microrganismi sono facilmente eliminati all'interno dei capillari ceramici di Airfree®. La temperatura interna è tre volte maggiore di quella richiesta per distruggerli. Airfree® è il miglior alleato per prevenire malattie respiratorie.

19. In che modo Airfree® elimina gli odori di tabacco?

Airfree® elimina qualsiasi odore organico ambientale, incluso il tabacco.

20. Airfree® rilascia del gas o delle sostanze chimiche?

No. Il processo di sterilizzazione di Airfree® è naturale. Consultare il sito per i test sulle particelle e O₃ (ozono).

21. Airfree® riscalda l'ambiente?

No. Airfree® non aumenta la temperatura ambientale. Per dare un'idea, due dispositivi Airfree® collegati all'interno di una stanza forniscono tanto calore quanto quello dato dalla presenza di un individuo nella stessa stanza.

22. Airfree® ha effetti sull'umidità?

No.

23. Airfree® ha bisogno della sostituzione di filtri?

No.

24. I consumi di Airfree® sono elevati?

No. Il consumo di Airfree® è di appena 52 watt per P150, di 50 watt per P125/E125 di 48 watt per P80/E80, di 45 watt per P60/E60/babyair, di 40 watt per P40/E40.

25. La luce anti-stress interferisce con la funzione di sterilizzazione di Airfree®? (*)

No. La luce anti-stress ha un effetto estetico, distensivo e rilassante. Può essere usata semplicemente come luce di notte per i bambini o nelle stanze dei neonati. Secondo la cromoterapia, la luce blu ha effetto calmante e distensivo. (*) L'Airfree® E40/E60/E80/E125 non comprende la luce Anti-stress.

26. Dove vanno a finire i microrganismi dopo che sono stati distrutti?

Come tutti gli organismi viventi, i microrganismi ed i loro prodotti sono composti fondamentalmente da carbonio, da ossigeno e da azoto. Poiché Airfree® raggiunge approssimativamente 200° C, tutti i microrganismi sono sottoposti ad un processo di combustione che rilascia il biossido di carbonio (lo stesso prodotto liberato tramite la nostra respirazione) e l'acqua. Parti di carbonio (o delle ceneri) possono rimanere presenti nell'aria a seguito del processo di combustione. Se resiste qualche residuo di allergene, è da considerarsi come sottoposto ad un processo di denaturazione, quindi oramai privo di conformazione e funzione. Ogni reazione descritta avviene a livello microscopico e dunque questi processi ed i relativi sottoprodotti non saranno percepiti. Di conseguenza non c'è nessuna manutenzione.

Garanzia Limitata

Questo prodotto è garantito da AIRFREE® PRODUCTS come privo di difetti sia nei materiali che nella manodopera, se utilizzato adeguatamente per un periodo di due anni dalla data di acquisto. Durante tale periodo, in caso si riscontrino dei difetti di fabbricazione, il prodotto dovrà essere consegnato al rivenditore presso il quale è stato effettuato l'acquisto accompagnato dalla prova d'acquisto con data d'acquisto, il numero di serie ed una breve descrizione del difetto di fabbrica riscontrato. Il rivenditore provvederà quindi all'inoltro del prodotto al centro di assistenza per la riparazione o l'eventuale sostituzione con un apparecchio dello stesso modello o di un modello simile senza alcun costo per materiali o manodopera. Questa garanzia non si intende valida nel caso in cui il prodotto venga utilizzato in modo errato o venga manomesso o alterato, includendo cadute e schiacciamento; difetti nell'installazione elettrica o oscillazioni del livello di potenza elettrica sono difetti che si considerano assimilati all'utilizzo scorretto del prodotto.

AIRFREE® PRODUCTS unitamente ai suoi distributori non fornisce alcuna specifica relativa all'uso medico del prodotto, inoltre il produttore non garantisce che l'apparecchio prevenga alcun tipo di malattia.

NE' QUESTA NE' NESSUN'ALTRA GARANZIA, ESPRESSA O IMPLICITA, INCLUDENDO GARANZIE IMPLICITE O COMMERCIALI, ESTENDERA' IL PERIODO STESSO DI GARANZIA. NON SI ASSUME ALCUNA RESPONSABILITA' PER INCIDENTI O DANNI CONSEGUENTI, INCLUDENDO DANNI SENZA LIMITAZIONI. POICHE' ALCUNI STATI NON PERMETTONO LIMITAZIONI SULLA DURATA DI UNA GARANZIA IMPLICITA ED ALTRI STATI NON PERMETTONO L'ESCLUSIONE O LA LIMITAZIONE DI INCIDENTI O DANNI CONSEGUENTI, LE SUDETTE LIMITAZIONI O ESCLUSIONI NON SONO APPLICABILI. AIRFREE® PRODUCTS DECLINA SPECIFICAMENTE QUALSIASI GARANZIA ESPRESSA NON QUI ALTRIMENTI DESCRITTA E QUALSIASI GARANZIA IMPLICITA O COMMERCIALE O GARANZIE IMPLICITE PER ADEGUATEZZA AD UNO SCOPO PARTICOLARE. NON VI SONO GARANZIE CHE VALGONO, OLTRE A QUELLE DESCRITTE NEL PRESENTE PARAGRAFO. La presente garanzia fornisce specifici diritti legali; potete avere altri diritti, che variano da stato a stato.

Warranty Certificate - 2 years / Certificado de Garantía - 2 años/
Certificato di Garanzia/ Gewährleistungszertifikat

Model/ Modelo/ Modello/ Modell: _____

Serial Number/ Número de Serie/ Numero Seriale/
Seriennummer: _____

Client Name/Nombre del cliente/ Nominativo/
Kundenname: _____

Address/ Dirección/ Indirizzo/ Adresse: _____

City/ Ciudad/ Città/ Stadt: _____

Zip code/ Código Postal/ Codice Postale/ PLZ: _____

Phone/ Teléfono/ Telefono/ Telefon: () _____

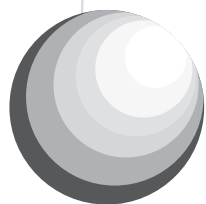
Purchase Date/ Fecha de compra/ Data d'acquisto/ Kaufdatum:
/ /

Store Name/ Revendedor/ Cuño/ Nome del negozio/
Verkaufsstelle: _____

Invoice Number/ Número de Factura/
Numero fattura/ Rechnungsnummer: _____



In order to obtain full warranty terms and conditions as stated above please fill in and return Warranty Certificate to Authorised Airfree® distributor. You may also register your warranty at www.airfree.com. / Para obtener las condiciones completas de la garantía, como se declaró anteriormente, completar y devolver el certificado de garantía a una distribuidora Airfree autorizada. Usted puede también colocar su garantía en www.airfree.com. / Per aver diritto alle condizioni di garanzia sopradescritte, si prega di compilare la scheda e di spedirla al distributore autorizzato. Potete anche registrarvi su www.airfree.com / Um die volle Gewährleistung zu den oben genannten Bedingungen zu erlangen füllen Sie bitte dieses Gewährleistungszertifikat aus und senden Sie es an ein autorisiertes AIRFREE® - Vertriebsunternehmen



Airfree®
P R O D U C T S

Airfree Produtos Electrónicos, Lda.
Rua Julieta Ferrão nº 12, Fracção 201/202
1600-131 Lisboa

- Tel.: 00 351 - 213 156 222
- Fax: 00 351 - 213 516 228
- Web: www.airfree.com
- Mail: info@airfree.com

