

Product Description

The ZM1.UBC10 is a mechanical accessory to mount a device on a flat surface or panel without utilizing a DIN-rail.

The order number ZM1.UBC10 contains one mounting bracket, four mounting screws (M5x8) and four 5mm spring-lock washers.

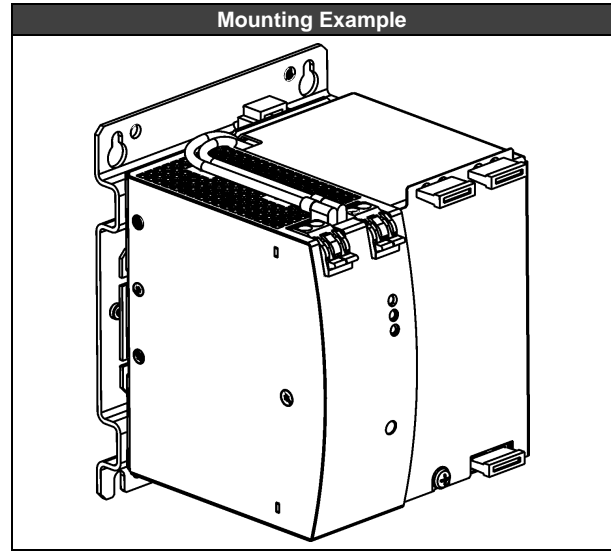
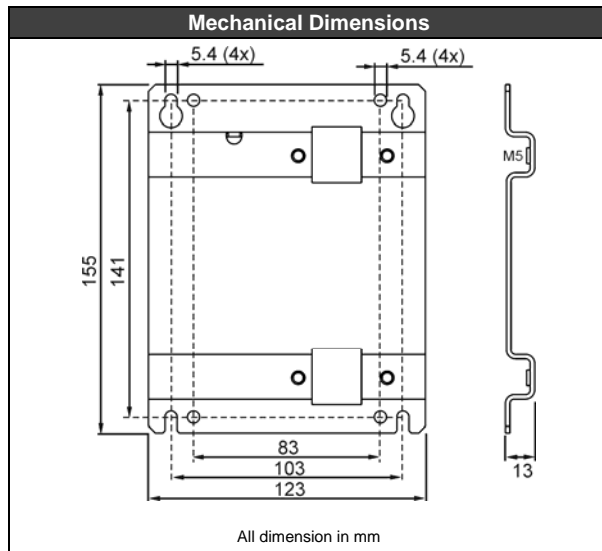
Technical Data

Size (width x height x depth) 123x13x156mm

Weight 340g / 0.75lb

Intended Use

This mechanical accessory is designed for DIN-rail devices. Check the product datasheet of the DIN-rail device to confirm that it is suitable for the desired device.



Headquarters: PULS GmbH, Elektrastr. 6, 81925 Munich, Germany, www.pulspower.com

Germany +49 89 9278 0

France +33 478 668 941

Austria +43 2764 3213

Switzerland +41 56 450 18 10

China +86 512 62881820

North America +1 630 587 9780

Singapore +65 6684 2310

United Kingdom +44 1525 841001

The information in this document is believed to be accurate and reliable and may change without notice.

Installation Instructions

- 1) Put the unit backwards on a flat surface and remove the fuse before working on the unit.
- 2) Loosen the captive cover screw.
- 3) Open the battery compartment.
- 4) Remove the battery without disconnecting the connection wires.
- 5) Put the wall mount bracket behind the unit.
- 6) Screw the four screws and the four spring-lock washers, which were delivered with the mounting bracket, into the shown areas. Tightening torque: 3 Nm (27 lb inch)
- 7) Return the battery into the housing, close the battery compartment and insert the fuse again.

Installation Instructions