

Perfectpro B.V.  
Everdenberg 9A  
4902TT Oosterhout  
The Netherlands  
[www.perfectpro.eu](http://www.perfectpro.eu)



**WARNING: SHOCK HAZARD - DO NOT OPEN**  
**AVIS: RISQUE DE CHOC ÉLECTRIQUE - NE PAS OUVRIR**

**CAUTION**  
**RISK OF ELECTRIC SHOCK**  
**DO NOT OPEN**

DO NOT EXPOSE TO RAIN OR MOISTURE  
NE PAS EXPOSER À LA PLUIE NI À L'HUMIDITÉ

**WARNUNG! NICHT ÖFFNEN, GEFAHR VOR ELEKTRISCHEM SCHLAG. NICHT REGEN ORDER FEUCHTIGKEIT AUSSETZEN.**

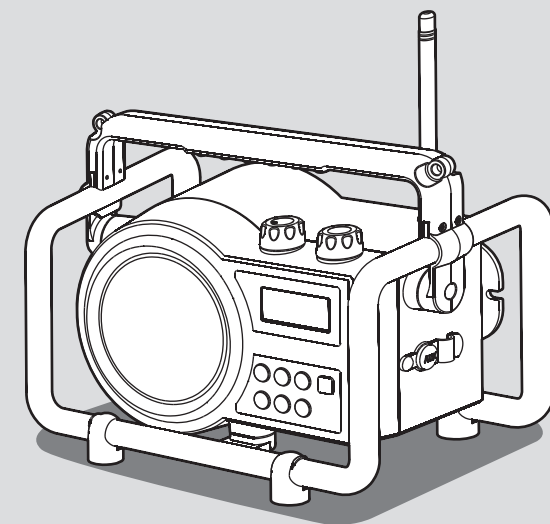
3A81a26L00000



**PERFECTPRO**

Operating instruction	GB
Mode d'emploi	F
Gebbruksaanwijzing	NL
Bedienungsanleitung	D

## **TOUGHBOX2**



**WARNING ! WARRANTY BECOMES VOID ONCE THE DEVICE CABINET HAS BEEN OPENED OR ANY MODIFICATIONS TO THE ORIGINAL DEVICE HAVE BEEN MADE.**

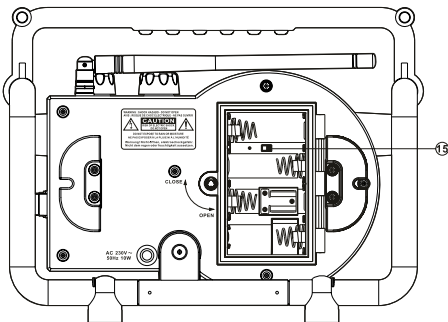
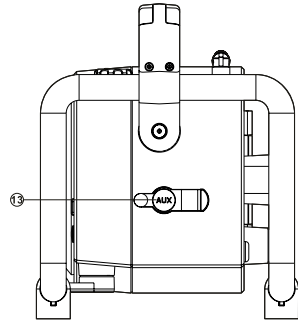
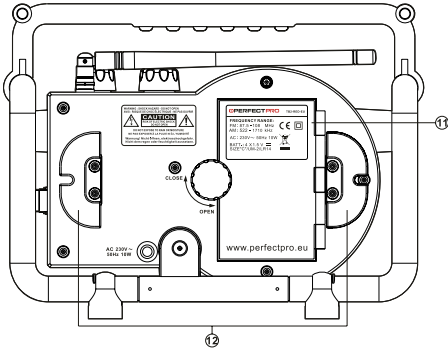
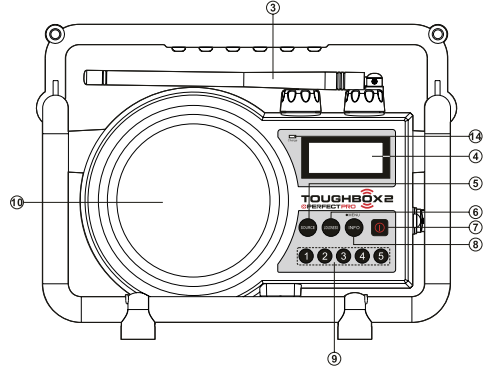
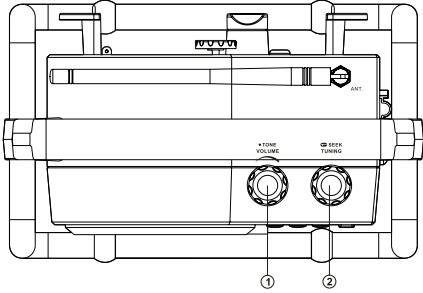
40. Never open the device casing. The manufacturer will not accept any liability for damage resulting from improper handling. The type plate is located on the back of the device.

## Important safety instructions

GB

1. Read these instructions.
2. Keep these instructions.
3. Heed all warnings.
4. Follow all instructions.
5. Do not use this apparatus near water.
6. Clean only with dry cloth.
7. Do not install near any heat sources such as radiators, heat registers, stoves, or other apparatus (including amplifiers) that produce heat.
8. Do not defeat the safety purpose of the polarized or grounding-type plug. A polarized plug has two blades with one wider than the other. A grounding type plug has two blades and a third grounding prong. The wide blade or the third prong are provided for your safety. If the provided plug does not fit into your outlet. Consult an electrician for replacement of the obsolete outlet.
9. Protect the power cord from being walked on or pinched particularly at plugs, convenience receptacles, and the point where they exit from the apparatus.
10. Only use attachments/accessories specified by the manufacturer.
11. Use only with the cart, stand, tripod, bracket, or table specified by the manufacturer, or sold with the apparatus. When a cart is used, use caution when moving the cart/ap paratus combination to avoid injury from tip-over.
12. Unplug this apparatus during lightning storms or when unused for long periods of time.
13. Refer all servicing to qualified service personnel. Servicing is required when the apparatus has been damaged in any way, such as power-supply cord or plug is damaged. liquid has been spilled or objects have fallen into the apparatus, the apparatus has been exposed to rain or moisture, does not operate normally, or has been dropped.
14. To Reduce the Risk of Fire or Electric Shock, Do not Expose This Appliance To Rain or Moisture.
15. The Shock Hazard Marking and Associated Graphical Symbol is provided on the rear of unit.
16. The power plug should be close to the radio, and easy to be approached that during the emergency, to disconnect the power from the radio, just unplug the power plug from the AC power slot.
17. For outdoors use, to avoid electric shock, use battery only during a raining day or the weather is wet.
18. This apparatus is provided with protection against splashing water and dust ingress (IPX4).
19. The batteries shall not be exposed to excessive heat such as sunshine, fire or the like.
20. To prevent possible hearing damage, do not listen at high volume levels for long periods.





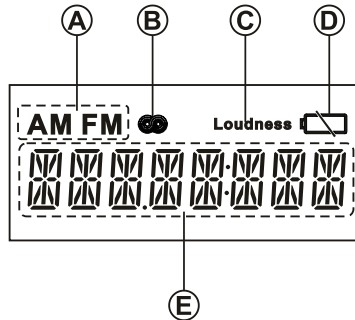
## Control

- ① Volume control/Tone control
- ② Tuning control/Auto-tune control
- ③ FM rubber antenna
- ④ LCD display
- ⑤ Source button
- ⑥ Loudness button
- ⑦ Power button
- ⑧ Info button/Menu button
- ⑨ Preset button
- ⑩ Speaker
- ⑪ Battery compartment
- ⑫ AC cord storage
- ⑬ Aux-in socket
- ⑭ Battery charging indicator LED
- ⑮ NiMH/Alkaline switch

GB

## LCD Display

- A AM/ FM band indicator
- B RDS indicator
- C Loudness indicator
- D Low battery indicator
- E Text display



## Power the radio

### 1. Battery operation


1. Installing the batteries, first turn battery cover fixture anti-clockwise to loosen and open the battery cover.

#### Note:

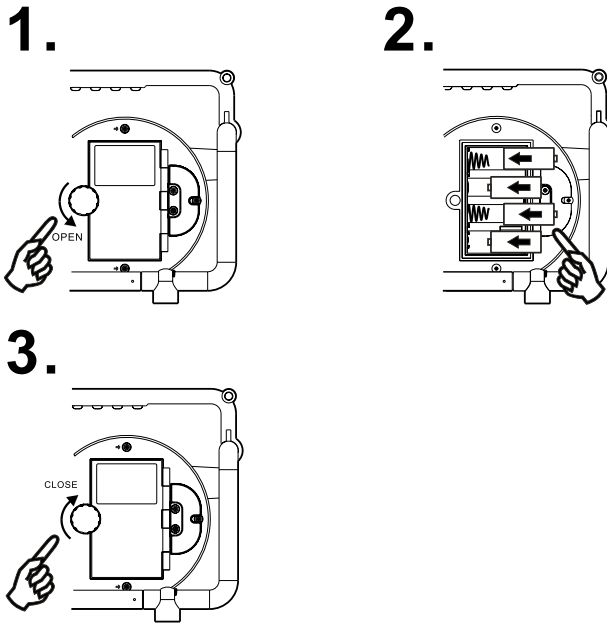
Before you insert the batteries, if you use non-rechargeable batteries, make sure the Charger/Batteries switch which located inside the battery compartment is switched to Batteries position. If you use rechargeable batteries, make sure to switch Charger/Batteries switch to Charger position.

2. Insert 4 X C size (UM-2) battery into the compartment. Ensure the batteries are inserted in accordance with the diagram shown. Close the battery cover and fasten the fixture by turning clockwise.

If the radio is not to be used for any extended period of time, it is recommended that the batteries are removed from the radio.

Reduced power, distortion and a “stuttering sound” or low battery sign  is flashing on the display are all signs that the batteries need replacing or recharged. (see below information on charging the batteries)

When playing on (rechargeable) batteries the output power is less compared to the output power when playing on AC mains power. Because of this the sound can be somewhat distorted at the higher volume settings.



### CHARGING THE BATTERIES

Make sure the radio is switched off and connected to the AC mains socket. When the battery charge indicator LED flashes green. This indicates the batteries are charging. Batteries will be fully charged in around 4-5 hours. The battery charge indicator LED shows steady green light when the battery charging process is complete.

**Note:** Duration for charging your batteries fully can vary according to the mAh capacity of the batteries. Higher mAh batteries require longer charging time.

**Important:**

Under some conditions the charging LED indicator may switch off after flashing briefly. This may happen if the batteries are already freshly charged, or if the radio detects that you may be attempting to recharge alkaline batteries or mixed different types or capacity of rechargeable battery. In these cases the charging will be stopped.

## IMPORTANT INFORMATION ON CHARGING AND USING RECHARGEABLE BATTERIES

1. Recharge the batteries in any case at least every 2 months.
2. Make sure the Battery Select switch next the battery compartment is set to the "CHARGER" position.
3. Put the batteries in the compartment whilst paying attention to the correct polarity of the batteries (+ and-).
4. First use: Charge new batteries in one continuous, uninterrupted, charge until they are full. This first charge may take longer than normal. For longer battery life it is advised to always recharge in one continuous, uninterrupted charge until batteries are full and to not recharge again whilst the batteries are still full.
5. New batteries will only reach their full capacity after some time of use (several charge–discharge cycles).
6. Leave the complete group of batteries in place inside the radio and do not use these batteries or a few of them for other purposes. This will result in a mix of (fully) charged and (partly) empty batteries. This can seriously damage the batteries and radio when recharged.
7. It is advised to only charge batteries at room temperatures between 5 degrees C–35 degrees C. In lower or higher temperatures full charge cannot be achieved.
8. Depending on the capacity of the batteries, charging from "empty" to "full" can take several hours, even up to 5 hours or more.
9. Do not charge batteries when the radio is hot or exposed to heat or heat sources.
10. It is advised to clean the metal contacts of the batteries and of the charger inside the radio e.g. with a contact-spray from time to time.
11. Do not use a mix of old and new rechargeable batteries.
12. Do not use a mix of rechargeable and non-rechargeable batteries.
13. Do not use a mix of full and empty rechargeable batteries.
14. Do not use batteries that have a different mAh capacity.
15. Do not use damaged, deformed or leaking batteries.
16. Battery level indication is an approximate indication only and can vary with battery type used.
17. Batteries can become hot during charging.
18. In cold conditions the capacity of batteries will be much lower than when used at normal room temperature
19. Batteries (even when supplied with the radio), as being consumables, do not fall under the warranty conditions of the radio.
20. It is advised to use Perfectpro rechargeable batteries as the radio and its charger were developed for use with these batteries.
21. Batteries should not be disposed of by incineration and with household waste.
22. Disposable batteries should be taken to a suitable recycling centre if possible.

## 2. AC operation

Before you plug the AC cord into the AC socket, be sure the voltage is correct. If you have batteries in the radio and use the AC power cord, the batteries will automatically be disconnected. AC cable hook is designed to store the cord when the radio is not in use.

## Setting the clock time

### ***Setting the clock automatically-Radio Data System (RDS)***

When you set the clock time using the RDS function, your radio will synchronize its clock time whenever it tunes to a radio station using RDS with CT signals.

1. When tuning to a station transmitting RDS data, press and hold the Menu button to enter the setting menu.
2. Rotate the Tuning control until "RDS CT" shows on the display. Press the Tuning control to enter the setting.
3. Rotate the Tuning control until "CT ON" shows on the display. Press the Tuning control to confirm the selection. The clock time of the radio will be set up automatically according to the RDS data received.
4. If you want to disable the clock time (CT) automatic adjustment function. Rotate the Tuning control to select "CT OFF" and press the Tuning control to disable the function. Now the clock time can be set manually, please follow the steps described in the section of "Setting the clock manually."

### ***Setting the clock manually***

1. Clock can be set either the radio is power on or off.
2. Display will show "--:--" when the batteries are installed or when the radio is connected to the mains supply.
3. Press and hold the Menu button to enter the setting menu. Rotate the Tuning control until "TIME SET" shows on the display. Press the Tuning control to enter the setting.
4. Rotate the Tuning control to set the desired hour. Then press the Tuning control to confirm the setting. The minute digit will flash on the display.
5. Rotate the Tuning control to set the desired minute. Then press the Tuning control to confirm the setting. Press the menu button to exit.

### ***12/24 hour clock format***

1. Press and hold the Menu button to enter the setting menu. Rotate the Tuning control until 'CLOCK 24H (or 12H)' shows on the display. Press the Tuning control to enter the setting.
2. Rotate the Tuning control to choose between 12 or 24 hour clock format. Press the Tuning control to confirm the setting.



## Operating your radio-FM/AM auto-tune

1. Straighten up the antenna.
2. Press the Power button to switch on your radio.
3. Press the Source button until the FM/AM band is selected.
4. Rotate the Tuning control in a clockwise direction. The displayed frequency will increase. Then press the Tuning control to carry out an auto-tune. Your radio will scan up the FM/AM band from the currently displayed frequency and will stop scanning when it finds a station of sufficient strength. To scan down in frequency, rotate the Tuning control in an anticlockwise direction first and then press the Tuning control. Your radio will scan down the FM/AM band from the currently displayed frequency and will stop scanning when it finds a signal of sufficient strength.
5. After a few seconds the display will update. The display will show the frequency of the signal found.
6. To find other stations press the Tuning control as before. When the end of the waveband is reached, your radio will recommence tuning from the opposite end of the waveband.
7. Adjust the Volume to the required setting.
8. To switch off your radio, press the Power button.

### Note:

If you find the reception is poor, try repositioning the antenna.

## Manual Tuning-FM/AM

1. Press the Power button to turn on the radio.
2. Select the required waveband by pressing the Source button.
3. Be sure to screw in the rubber FM antenna properly to get best reception. For AM (MW) band, rotate the radio to get best signal.
4. Rotate the Tuning Control knob will change the frequency in the following increments  
FM: 50 or 100 kHz  
AM (MW): 9 or 10 kHz (10 kHz setting for AM band in North America)
5. Rotate the Volume Control knob to get required sound level.
6. To turn off the radio, press the Power button. Display will show OFF.

## Memory presets stations-FM/AM

Storing stations in preset memories, please follow below step. There are 5 memory presets for each waveband.

1. Press the Power button to turn on the radio.
2. Tune to required station by pressing the Source button and the Tuning control.
3. Press and hold down the required preset until the preset number stops flashing until the radio beeps. The preset number will appear in the display and the station will be stored under chosen preset button.
4. Repeat this procedure for the remaining presets.
5. Stations stored in preset memories can be over written by following above procedures.

## Recall stations from preset memories-FM/AM

1. Press the Power button to turn on the radio.
2. Select the required waveband.
3. Momentarily press the required Preset button, the preset number and station frequency will appear in the display.

## Display modes-FM

Your radio has six display modes for FM radio. These use data provided by broadcasters which is commonly known as RDS. The Radio Data System (RDS) is a system in which inaudible digital information is transmitted in addition to the normal FM radio programme.

RDS offers several useful features. The following are available on your radio:

1. Press the Info button to cycle through the various modes.
  - a. Frequency Displays the frequency of the station being listened to.
  - b. Station name Displays the name of the station being listened to.
  - c. Programme Type Displays the type of station being listened to e.g. Pop, Classic, News, etc.
  - d. Radio text Displays radio text message such as, new item etc.
  - e. Signal strength Displays a graph showing the signal strength for the station being received.
  - f. Time Displays the current time.

### Note:

If there is no RDS data available (or if the signal is too weak), all display option will revert back to the frequency display after 10 seconds. If RDS information of station name is available, on the other hand, all display option will return to the station name display.

## Bandwidth narrowing-AM

In order to obtain better reception of weaker AM stations, your radio has a function to narrow the AM bandwidth to reduce high frequency noise.

1. Press and hold the Menu button to enter the setting menu.
2. Rotate the Tuning control until "AM B.W." is shown on the display. Press the Tuning control to enter the setting.
3. Rotate the Tuning control to select "WIDE", "NORMAL" or "NARROW", then press the Tuning control to confirm the setting.

## Setting tuning step-FM/AM

1. Press and hold the Menu button to enter the menu setting.
2. Rotate the Tuning control until "FACTORY" shows on the display. Press the Tuning control to enter the setting menu.
3. Rotate the Tuning control until 'FM X K' or 'AM X K' shows on the display. Press the Tuning control to enter the setting.
4. Rotate the Tuning control to choose the desired FM tuning step (50 kHz or 100 kHz) or AM tuning step (9 kHz or 10 kHz). Press the Tuning control to confirm the setting.

### Note:

Re-setting the AM tuning step will erase all the preset AM stations.

## Soft Mute (S-MUTE)

Soft Mute is to reduce background noise during weak signal, however it will also reduce radio reception. The initial setting for Soft Mute is ON. Soft Mute can be set either radio is on or off.

1. Press and hold the Menu button to enter the setting menu.
2. Rotate the Tuning control until "SOFTMUTE" is shown on the display. Press the Tuning control to enter the setting.
3. Rotate the Tuning control to select "ON" or "OFF", then press the Tuning control to confirm the setting.

## Treble/Bass control

You may set up a custom treble and bass as following.

1. Press and hold the Tone control until "TREBLE" appears on the display.
2. Rotate the Tone control to adjust the treble level (between -5 and +5). The sound will change as you adjust the level. Press the Tone control to confirm the setting. Now you can adjust Bass control.
3. Rotate the Tone control until the desired bass level (between -5 and +5) is displayed. The sound will change as you adjust the level. Press the Tone control to confirm the setting.

## Loudness

The Loudness function enables to get compensation on lower and higher frequency. The effect will be more audible when the radio is in a lower volume level (Dynamic Loudness).

1. Press the Loudness button to turn on the loudness function. In the display the "Loudness" indicator will be shown.
2. To turn off the loudness function, press the Loudness button again. The "Loudness" indicator will not be shown anymore.

## Auxiliary input socket

A 3.5mm Auxiliary Input socket is provided on the right side of your radio to permit an audio signal to be fed into the unit from an external audio device such as iPod, MP3 or CD player.

1. Repeatedly press and release the Source button until "AUX IN" is shown on the display.
2. Connect an external audio source (for example, iPod, MP3 or CD player) to the Auxiliary Input socket.
3. Adjust the volume setting on your iPod, MP3 or CD player to ensure an adequate signal level from the player, and then rotate the Volume control on the radio as needed for comfortable listening.

**Note:** Never use the Aux-In socket in rainy or moist conditions to prevent moist from entering the radio. Always keep the rubber cover on the side well closed under these conditions.

## Factory reset

If you wish to completely reset your radio to its initial state this may be performed by following this procedure. By performing a factory reset, all user entered settings will be erased.

1. Press and hold the Menu button to enter the setting.
2. Rotate the Tuning control until 'FACTORY' shows on the display. Press the Tuning control to enter the setting menu.
3. Rotate the Tuning control until "RESET" shows on the display. Press the Tuning control to enter the setting menu.
4. Rotate the Tuning control to select 'YES' and press the Tuning control to confirm the setting. A full reset will be performed. Presets will be erased. All the setting will be set to their default values.

If you do not wish to carry out a system reset, select 'No' and then press the Tuning control. The display will revert back to the previous display.

In case of malfunction due to electrostatic discharge, reset the product using the above procedure. In some circumstances it may be necessary to disconnect and then reconnect the mains power in order to resume normal operation.

## Software version

The software display cannot be altered and is just for your reference.

1. Press and hold the Menu button to enter the setting
2. Rotate the Tuning control until "FACTORY" shows on the display. Press the Tuning control to enter the setting menu.
3. Rotate the Tuning control until 'P X' (e.g.P01) appears. Current software version is shown on the display.
4. Press and release the Menu button to exit the software version display.

## Backlight timeout

Your radio allows you to adjust the length of time that the backlight stays on when you are not operating your device.

This feature can be adjusted when the radio is on or off.

1. Press and hold the Menu button to enter the setting
2. Rotate the Tuning control until "LIGHT" shows on the display. Press the Tuning control to enter the setting.
3. Rotate the Tuning control to select your desired backlight timeout option (10 seconds/20 seconds/30 seconds/remain backlight ON), then press the Tuning control to confirm the setting.

**Note:** If you select backlight ON, the display backlight will remain illuminated when the radio is turned on, but when the radio is switched off, the backlight will dim after 30 seconds.

## **WARRANTY**

This radio has a 2 year limited warranty.

**WARNING ! Warranty becomes void once the radio cabinet has been opened or any modifications or alterations to the radio have been made !**

The terms of the warranty of this radio do not cover the following:

- Damage caused by misuse, abuse, neglect, alterations, accidents or unauthorized repair.
- Normal wear and tear.
- Batteries

Never open the device casing. The manufacturer will not accept any liability for damage resulting from improper handling. The type plate is located on the back of the device.

## Specifications

### Frequency Coverage:

FM 87.50–108 MHz

AM (MW) 520–1710 kHz (10 kHz) (For North America)  
522–1710 kHz (9 kHz)

### AC Power:

AC 230V/50Hz/10W (Europe)

**Batteries:** 4xC Size (UM-2) (recommend to use 4000 mAh)

### Output Power:

2 Watt 10% T.H.D. @ 100 Hz @ DC battery 6V

4.5 Watt 10% T.H.D. @ 100 Hz @ AC 230V

*The company reserves the right to amend the specification without notice.*



*If at any time in the future you should need to dispose of this product please note that: Waste electrical products should not be disposed of with household waste. Please recycle where facilities exist. Check with your Local Authority or retailer for recycling advice. (Waste Electrical and Electronic Equipment Directive)*




**AVERTISSEMENT : LA GARANTIE PREND FIN LORSQUE LE BOITIER DE LA RADIO A ETE OUVERT OU LORSQUE LA RADIO A ETE MODIFIEE DE QUELQUE MANIERE QUE CE SOIT PAR L'UTILISATEUR FINAL.**

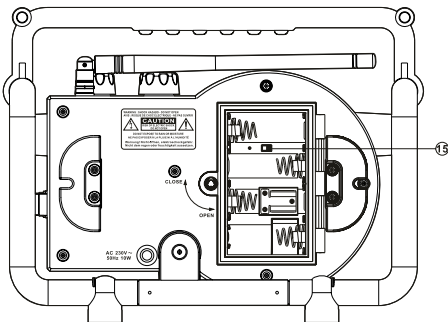
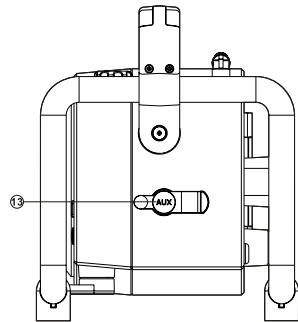
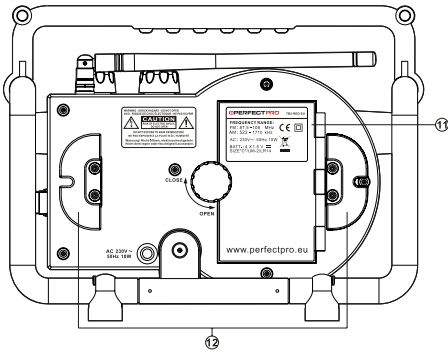
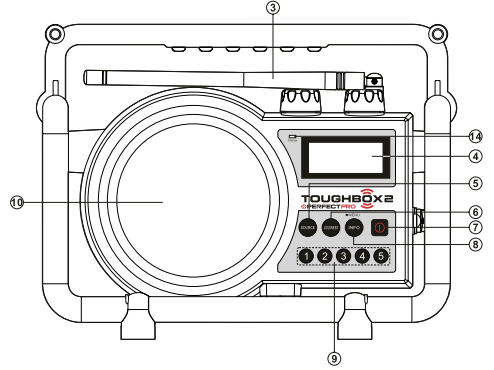
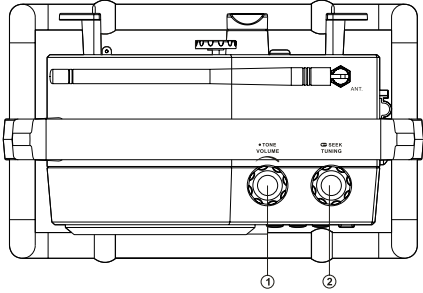
N'ouvrez jamais l'appareil. Le fabricant n'admettra aucune responsabilité pour des dégâts résultant d'un mauvais traitement. La plaque signalétique est situé sous l'appareil.



## INSTRUCTIONS IMPORTANTES CONCERNANT LA SÉCURITÉ

1. Lisez attentivement et complètement le mode d'emploi de la radio.
  2. Conservez soigneusement ce mode d'emploi.
  3. Tenez compte de tous les avertissements.
  4. Suivez toutes les instructions.
  5. N'utilisez pas cet appareil à proximité de l'eau.
  6. Nettoyez la radio exclusivement avec un linge propre et sec.
  7. N'installez pas la radio à proximité de sources de chaleur (radiateurs de chauffage, grilles de ventilation, fours et autres appareils (amplis compris) qui génèrent de la chaleur.
  8. Ne tentez jamais de modifier les fiches et prises polarisées ou comportant un plot de terre destiné à garantir votre sécurité. Une prise polarisée possède deux contacts, dont l'un est plus large que l'autre. Une prise à plot de terre possède deux contacts et un plot de mise à la terre. Le contact le plus large ou le plot de terre est prévu pour assurer votre sécurité. Si la fiche fournie ne s'adapte pas dans la prise de courant de votre installation, consultez un électricien pour le remplacement de la prise de courant.
  9. Protégez le cordon d'alimentation contre les piétinements ou les pincements, particulièrement au niveau des branchements, prises de courant, et du point d'où il sort de l'appareil.
  10. N'utilisez que les extensions/accessoires spécifiés par le fabricant.
  11. N'utilisez qu'avec un chariot, support, trépied, crochet ou table spécifié par le fabricant, ou vendu avec l'appareil. Lorsque vous utilisez un chariot, soyez attentif lorsque vous déplacez la combinaison chariot/appareil pour éviter les blessures dues au renversement.
- 
12. Débranchez cet appareil lors des orages ou lorsqu'il est inutilisé pendant une longue période.
13. Confiez toute réparation à du personnel de maintenance qualifié. La réparation est nécessaire lorsque l'appareil a été endommagé de quelque sorte, par exemple si le cordon d'alimentation ou la prise sont endommagés, si du liquide a été répandu ou si des objets sont tombés dans l'appareil ou si ce dernier a été exposé aux moisissures ou à la pluie, qu'il ne fonctionne pas normalement ou a chuté.
14. Pour réduire le risque d'incendie ou de choc électrique, n'exposez pas cet appareil à la pluie ou l'humidité.
15. Le marquage de risque d'étouffement et les symboles graphiques associés sont présents sur la face arrière de l'unité.
16. La prise d'alimentation doit être proche de la radio, et facilement accessible afin de n' avoir qu'a débrancher la prise du secteur pour pouvoir déconnecter l'appareil en cas d'urgence.
17. Lorsque vous l'utilisez en extérieur, utilisez la radio uniquement sur piles s'il pleut ou si le temps est humide pour éviter un choc électrique. For outdoors use, to avoid electric shock, use battery only during a raining day or the weather is wet.
18. Cet appareil est équipé d'une protection contre les éclaboussures et la pénétration de la poussière (IPX4).
19. Les piles ne doivent pas être exposées à des chaleurs excessives telles que la lumière du soleil, le feu ou autres.
20. Pour éviter d'endommager l'audition, ne pas écouter à volume élevé pendant de longues périodes.





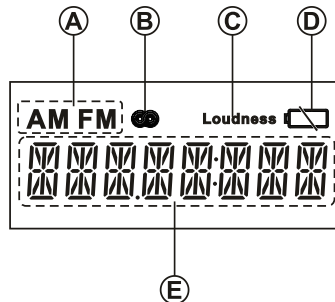
## Commandes

- ① Bouton de réglage du volume/Réglage de la tonalité
- ② Bouton de réglage de la fréquence/Réglage de recherche automatique
- ③ Antenne FM en caoutchouc
- ④ Écran LCD
- ⑤ Touche Source
- ⑥ Touche Loudness
- ⑦ Touche de Mise en marche/Mise en arrêt
- ⑧ Touche Info/Touche Menu
- ⑨ Touche de présélection
- ⑩ Haut-parleur
- ⑪ Compartiment des piles
- ⑫ Rangement du cordon d'alimentation
- ⑬ Entrée auxiliaire
- ⑭ Indicateur LED de la charge des piles
- ⑮ Interrupteur NiMH/Alcaline

F

## Écran LCD

- Ⓐ Indicateur de bande AM/FM
- Ⓑ Indicateur RDS
- Ⓒ Indicateur Loudness
- Ⓓ Indicateur de batterie faible
- Ⓔ Affichage du texte



## Mise en marche de la radio

### 1. Utilisation sur piles


1. Pour installer les piles, tournez tout d'abord le verrou du compartiment à piles dans le sens contraire des aiguilles d'une montre puis retirez le couvercle du compartiment à piles.

#### Remarque:

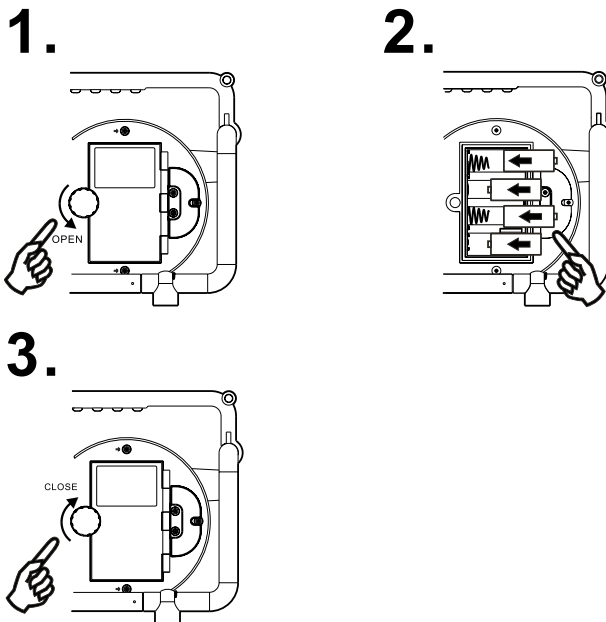
Avant d'insérer les piles, si vous utilisez des piles non rechargeables, assurez-vous que l'interrupteur charge/piles situé à l'intérieur du compartiment des piles est dans la position piles. Si vous utilisez des piles rechargeables, assurez-vous que cet interrupteur est sur la position charge.

2. Insérez 4 piles de taille C (UM-2) dans le compartiment. Assurez-vous d'insérer les piles en respectant le diagramme ci-dessous. Refermez le couvercle du compartiment à piles puis tournez le verrou dans le sens des aiguilles d'une montre.

Il est recommandé de retirer les piles de la radio lorsque vous pensez ne plus l'utiliser pendant longtemps.

Une puissance de sortie affaiblie, des distorsions, un son haché ou un indicateur de batterie faible  clignotant à l'écran sont autant de signes montrant qu'il est nécessaire de changer les piles de la radio ou de les recharger (voir les instructions suivantes pour recharger les piles).

Lorsque vous utilisez la radio sur piles (rechargeables) la puissance de sortie est moins conséquente que lorsque vous utilisez la radio sur courant secteur. Pour cette raison, il est possible que le son soit quelque peu distordu lorsque la radio est réglée sur les volumes les plus élevés.



## RECHARGER LES PILES

Assurez-vous que la radio est éteinte et branchée sur secteur.

Lorsque les piles se chargent, la LED clignote en vert. Les piles seront complètement chargées après 4-5 heures de charge. Lorsque le processus de charge des piles est terminé, la LED ne clignote plus et diffuse une lumière verte continue.

**Remarque:** La durée de charge des piles peut varier en fonction de la capacité mAh des piles que vous utilisez. Des piles à haute capacité mAh prendront plus de temps pour se charger complètement.

### **Important:**

Dans certaines conditions, l'indicateur de charge LED peut s'éteindre après avoir cligné brièvement. Cela peut survenir si les piles sont déjà complètement chargées ou si la radio détecte que vous êtes en train d'essayer de charger des piles alcalines ou de mélanger des piles rechargeables de capacité différente. Dans ce cas, la charge des piles sera stoppée.

## INFORMATIONS IMPORTANTES SUR LA CHARGE ET L'UTILISATION DE PILES RECHARGEABLES

1. Rechargez les piles au moins tous les deux mois.
2. Assurez-vous que l'interrupteur près du compartiment des piles est en position CHARGE.
3. Lorsque vous insérez les piles dans le compartiment, prenez en compte la polarité des piles (+ et -).
4. Première utilisation: Rechargez les piles de façon continue jusqu'à ce qu'elles soient complètement rechargées. Cette première charge peut prendre plus de temps que la normale. Pour une durée de vie des piles optimale, il est recommandé de toujours recharger les piles de façon continue et ininterrompue jusqu'à ce que les piles soient complètement chargées et non pas de recharger les piles à nouveau alors que les piles sont déjà (partiellement) chargées.
5. De nouvelles piles atteindront leur pleine capacité uniquement après un certain temps d'utilisation (plusieurs cycles de charge et de décharge).
6. Laissez le groupe de piles complet dans la radio, et n'utilisez pas ces piles ou certaines d'entre elles à d'autres fins. Cela provoquerait un mélange de piles (complètement) chargées et de piles (partiellement) déchargées. Cela pourrait endommager sérieusement les piles et la radio.
7. Il est conseillé de charger les piles à température ambiante uniquement entre 5°C et 35°C. À des températures plus basses ou plus hautes, les piles ne pourront pas être complètement chargées.
8. En fonction de la capacité des piles, la charge de « vide » à « plein » peut prendre plusieurs heures, même cinq heures ou plus.
9. Ne chargez pas les piles lorsque la radio est chaude ou exposée à des sources de chaleur.
10. Il est conseillé de nettoyer les contact en métal des piles et du chargeur à l'aide d'un spray de temps en temps.
11. N'utilisez pas un mélange de vieilles piles et de nouvelles piles.
12. N'utilisez pas un mélange de piles rechargeables et de piles non rechargeables.
13. N'utilisez pas un mélange de piles rechargeables pleines et de piles rechargeables vides.
14. N'utilisez pas des piles ayant une capacité mAh différente.
15. N'utilisez pas des piles endommagées ou des piles qui fuient.
16. L'indication du niveau des piles est une indication approximative seulement et peut varier en fonction du type de piles utilisées.
17. Les piles peuvent devenir chaudes pendant la charge.
18. À de basses températures, la capacité des piles peut être beaucoup plus basse qu'à température ambiante.
19. Les piles (même lorsqu'elles sont fournies avec la radio) étant des consommables, ne sont pas sujettes à la garantie de la radio.
20. Il est conseillé d'utiliser des piles rechargeables Perfectpro puisque la radio et son chargeur ont été développés pour utiliser ces piles.
21. Les piles ne doivent pas être mises à l'incinération ou jetées avec les autres déchets ménagers.
22. Les piles bonnes à jeter doivent être déposées dans un centre de recyclage agréé si possible.

### 2. Utilisation sur courant secteur

Avant d'insérer la fiche du cordon d'alimentation de la radio dans une prise de courant secteur, assurez-vous que la tension du courant secteur soit correcte. S'il y a des piles dans la radio et que vous utilisez la radio sur secteur, les piles seront automatiquement déconnectées.

Les pattes courbées situées à l'arrière de la radio permettent de ranger le cordon d'alimentation et la fiche lorsque la radio n'est pas utilisée ou lorsque celle-ci est utilisée sur piles.

## Réglage de l'heure

### **Réglage automatique de l'heure - Radio Data System (RDS)**

Lorsque vous réglez l'heure en utilisant la fonction RDS, votre radio synchronisera l'heure dès qu'elle diffusera une station de radio utilisant le système RDS avec des signaux CT.

1. Lorsque votre radio est réglée sur une station transmettant des données RDS, appuyez et maintenez la touche Menu pour entrer dans le menu des réglages.
2. Tournez le bouton de fréquence jusqu'à ce que "RDS CT" s'affiche à l'écran. Appuyez sur le bouton de fréquence pour entrer dans les réglages.
3. Tournez le bouton de fréquence jusqu'à ce que "CT ON" s'affiche à l'écran. Appuyez sur le bouton de fréquence pour confirmer la sélection. L'heure de la radio sera automatiquement mise à jour en fonction des données RDS reçues.
4. Si vous souhaitez désactiver la fonction de réglage automatique de l'heure (CT), tournez le bouton de fréquence pour sélectionner "CT OFF" et appuyez sur le bouton de fréquence pour désactiver la fonction. Dès lors, l'heure de la radio peut être réglée manuellement. Pour cela, merci de suivre les étapes décrites dans la section "Réglage manuel de l'heure".

### **Réglage manuel de l'heure**

1. L'heure peut être réglée lorsque la radio est allumée ou lorsqu'elle est éteinte.
2. L'écran affichera "--:--" lorsque les piles sont installées ou lorsque la radio est branchée sur courant secteur.
3. Appuyez et maintenez appuyée la touche Menu pour entrer dans le menu de réglages. Tournez le bouton de fréquence jusqu'à ce que "TIME SET" s'affiche à l'écran. Appuyez sur le bouton de fréquences pour entrer dans les réglages.
4. Tournez le bouton de fréquence pour régler l'heure souhaitée. Appuyez ensuite sur le bouton de fréquence pour confirmer le réglage. Le chiffre des minutes clignotera à l'écran.
5. Tournez le bouton de fréquence pour régler les minutes souhaitées. Appuyez ensuite sur le bouton de fréquence pour confirmer le réglage. Appuyez ensuite sur la touche Menu pour sortir du réglage de l'heure.

### **Régler le format de l'heure**

1. Appuyez et maintenez appuyée la touche Menu pour entrer dans le menu des réglages. Tournez le bouton de fréquence jusqu'à ce que 'CLOCK 24H (ou 12H)' s'affiche à l'écran. Appuyez sur le bouton de fréquence pour entrer dans les réglages.
2. Tournez le bouton de fréquence pour choisir entre le format 12H et le format 24H. Appuyez sur le bouton de fréquence pour confirmer votre choix.

## Fonctionnement de votre radio-FM/AM auto-tune

1. Redressez l'antenne.
2. Appuyez sur la touche de Mise en marche pour allumer votre radio.
3. Appuyez sur la touche Source jusqu'à ce que la bande FM/AM soit sélectionnée.
4. Tournez le bouton de fréquence dans le sens des aiguilles d'une montre. La fréquence diffusée augmentera. Appuyez ensuite sur le bouton de fréquence pour lancer une recherche automatique des stations. Votre radio procédera alors à un balayage de la bande FM/AM depuis la dernière fréquence de station écoutée. Le balayage cessera une fois que la radio aura trouvé une station au signal suffisamment puissant. Pour balayer les stations dans un ordre de fréquence décroissant, tournez le bouton de fréquence dans le sens inverse des aiguilles d'une montre et appuyez ensuite sur le bouton de fréquence. Votre radio procédera alors à un balayage de la bande FM/AM depuis la dernière fréquence de station écoutée.
5. Après quelques secondes l'écran d'affichage se mettra à jour. L'écran affichera alors la fréquence du signal trouvé.
6. Pour trouver d'autres stations, appuyez sur le bouton de fréquence comme précédemment. Lorsque la fin de la bande a été atteinte, votre radio recommencera le balayage des stations à partir de l'opposé de la bande.
7. Ajustez le volume selon vos préférences.
8. Pour éteindre votre radio, appuyez sur le bouton de Mise en marche.

### Remarque:

Si vous trouvez que la qualité de la réception est faible, tentez de repositionner l'antenne de la radio.

## Réglage manuel-FM/AM

1. Appuyez sur la touche de Mise en marche pour allumer la radio.
2. Sélectionnez la bande souhaitée en appuyant sur la touche Source.
3. Assurez-vous que l'antenne FM en caoutchouc est bien vissée pour obtenir la meilleure réception possible. Pour la bande AM, tournez la radio pour obtenir le meilleur signal.
4. Tourner le bouton de fréquence modifiera la fréquence selon la progression suivante:  
FM: 50 ou 100 kHz  
AM: 9 ou 10 kHz (10 kHz pour la bande AM en Amérique du Nord).
5. Tournez le bouton de Volume pour atteindre le volume souhaité.
6. Pour éteindre la radio, appuyez sur la touche de Mise en marche. L'écran affichera OFF.

## Mémoire de stations présélectionnées-FM/AM

Pour enregistrer des stations dans les mémoires présélectionnées, appliquez les étapes suivantes. Il y a cinq stations de présélection en mémoire pour chaque bande.

1. Appuyez sur le bouton de Mise en marche pour allumer la radio.
2. Naviguez jusqu'à la station désirée en appuyant sur la touche Source et sur le bouton de fréquence.
3. Appuyez et maintenez appuyée la présélection souhaitée jusqu'à ce que le chiffre de présélection arrête de clignoter et que vous entendiez un bip provenant de la radio. Le numéro de la présélection s'affichera à l'écran et la station sera sauvegardée sous le numéro de présélection choisi.
4. Répétez ce processus pour les présélections restantes.
5. Les stations mémorisées dans les mémoires de présélection peuvent être écrasées en suivant la procédure décrite ci-dessus.

## Rappel de stations présélectionnées

1. Appuyez sur la touche de mise en marche pour allumer la radio.
2. Sélectionner la bande souhaitée.
3. Appuyez sur le bouton de présélection souhaité, le numéro de présélection et la fréquence de la station s'afficheront à l'écran.

## Modes d'affichage-FM

Votre radio possède 6 options d'affichage en mode FM. Ces données sont fournies par les diffuseurs et sont communément appelées RDS.

Le système RDS (Radio Data System) est un système dans lequel d'inaudibles informations digitales sont transmises en plus du programme FM habituel.

Le système RDS offre plusieurs caractéristiques utiles. En appuyant sur la touche Info, vous pourrez naviguer entre les différentes caractéristiques suivantes:

- |                      |  |
|----------------------|--|
| a. Fréquence         | Affiche la fréquence de la station à l'écoute.                               |
| b. Nom de la station | Affiche le nom de la station écoutée.  |
| c. Type de programme | Affiche le type de station à l'écoute tel que Pop, Classic, News, etc.       |
| d. Texte radio       | Affiche des messages textes.   |
| e. Force du signal   | Affiche un graphique montrant la force du signal pour la station à l'écoute. |
| f. Heure             | Affiche l'heure.   |

### Remarque:

S'il n'y a pas de données RDS disponibles (ou si le signal est trop faible), toutes les options d'affichage reviendront à l'affichage de la fréquence après 10 secondes. Si en revanche l'information RDS du nom de la station est disponible, toutes les options d'affichage retourneront à l'affichage du nom de la station.

## Réduction de la largeur de bande-AM

Afin d'obtenir une meilleure réception pour les stations AM plus faibles, votre radio possède une fonction qui permet de réduire la largeur de bande AM afin de diminuer le bruit de haute fréquence.

1. Appuyez et maintenez appuyée la Touche Menu pour entrer dans le menu de réglages.
2. Tournez le bouton de fréquence jusqu'à ce que "AM B.W." s'affiche à l'écran. Appuyez sur le bouton de fréquence pour entrer dans la fonction de réglage.
3. Tournez le bouton de fréquence pour sélectionner "WIDE" (Large), "NORMAL" (Normal) or "NARROW" (Réduit), puis appuyez sur le bouton de fréquence pour confirmer le réglage.



## Réglage du pas de fréquences radio-FM/AM

1. Appuyez et maintenez appuyée la touche Menu pour entrer dans le menu des réglages.
2. Tournez le bouton de fréquence jusqu'à ce que "FACTORY" (Usine) s'affiche à l'écran. Appuyez sur le bouton de fréquence pour entrer dans le menu de réglages.
3. Tournez le bouton de fréquence jusqu'à ce que 'FM X K' ou 'AM X K' s'affiche à l'écran. Appuyez le bouton de fréquence pour entrer dans les réglages.
4. Tournez le bouton de fréquence pour choisir le pas de fréquence FM désiré (50 kHz ou 100 kHz) ou le pas de fréquence AM souhaité (9 kHz ou 10 kHz). Appuyez sur le bouton de fréquence pour confirmer le réglage.

### Remarque:

Régler à nouveau le pas de fréquence AM effacera toutes les stations AM présélectionnées.

## Soft Mute (S-MUTE)

Soft Mute est utilisé pour réduire les bruits de fond en cas de signal faible. Cependant cette fonction réduit également la réception de la radio. Le réglage initial pour l'option Soft Mute est ON (Activée). L'option Soft Mute peut être réglée lorsque la radio est en marche ou lorsqu'elle est éteinte.

1. Appuyez et maintenez appuyée la touche Menu pour entrer dans le menu de réglages.
2. Tournez le bouton de fréquence jusqu'à ce que "SOFTMUTE" soit affiché à l'écran. Appuyez sur le bouton de fréquence pour entrer dans le réglage de la fonction.
3. Tournez le bouton de fréquence pour sélectionner "ON" (activé) ou "OFF" (désactivé), puis appuyez sur le bouton de fréquence pour confirmer le réglage.

## Réglage des basses et des aiguës

Vous pouvez régler les basses et les aiguës en suivant ce processus:

1. Appuyez et maintenez appuyé le bouton de réglage de la tonalité jusqu'à ce que "TREBLE" (Aiguës) s'affiche à l'écran.
2. Tournez le bouton de fréquence pour ajuster le niveau des aiguës (entre -5 et +5). Le son se modifiera lorsque vous ajusterez le niveau. Appuyez sur le bouton de réglage de la tonalité pour confirmer le réglage. Vous pouvez désormais ajuster les basses.
3. Tournez le bouton de réglage de la tonalité jusqu'au niveau de basses souhaité (entre -5 et +5). Le son se modifiera lorsque vous ajusterez le niveau. Appuyez sur le bouton de réglage de la tonalité pour confirmer le réglage.

## Loudness

La fonction Loudness vous permet d'obtenir une compensation sur les fréquences basses et hautes. L'effet sera plus audible lorsque la radio est réglée sur un volume plus bas (Dynamic Loudness).

1. Appuyez sur la touche Loudness pour activer la fonction Loudness. Sur l'écran l'indicateur "Loudness" s'affichera.
2. Pour désactiver la fonction Loudness, appuyez de nouveau sur la touche Loudness. L'indicateur "Loudness" ne sera dès lors plus visible.

## Écouter de la musique sur l'entrée auxiliaire

Une entrée auxiliaire stéréo 3,5 mm se trouve sur le côté droit de votre radio pour permettre l'arrivée d'un signal audio dans l'unité depuis un appareil audio externe comme un iPod, MP3 ou lecteur CD.

1. Appuyez sur la touche Source jusqu'à ce que le mode d'entrée auxiliaire "AUX IN" soit affiché à l'écran.
2. Connectez une source audio externe (par exemple, iPod, MP3 ou lecteur CD) sur l'entrée auxiliaire.
3. Réglez le volume sur votre iPod, MP3 ou lecteur CD pour garantir un niveau de signal adéquat depuis le lecteur, puis ajustez le volume sur la radio pour obtenir un niveau d'écoute approprié.

**Remarque:** N'utilisez jamais l'entrée auxiliaire en conditions pluvieuses ou humides, pour éviter que de l'humidité n'entre dans la radio. Gardez toujours la protection de caoutchouc située sur le côté bien fermée dans ces conditions.

## Réglage d'usine

Si vous souhaitez effectuer une réinitialisation complète de votre radio, suivez les étapes suivantes. Attention! Si vous effectuez un réglage d'usine, tous les réglages de l'utilisateur seront effacés.

1. Appuyez et maintenez appuyée la touche Menu pour entrer dans le réglage.
2. Tournez le bouton de fréquence jusqu'à ce que 'FACTORY' (Usine) s'affiche à l'écran. Appuyez sur le bouton de fréquence pour entrer dans le menu de réglage.
3. Tournez le bouton de fréquence jusqu'à ce que "RESET" (réinitialiser) s'affiche à l'écran. Appuyez ensuite sur le bouton de fréquence pour entrer dans le menu de réglage.
4. Tournez le bouton de fréquence pour sélectionner 'YES' (Oui) et appuyez sur le bouton de fréquence pour confirmer le réglage. Une réinitialisation complète du système sera effectuée. Les présélections seront effacées. Tous les réglages reviendront aux réglages d'origine. Si vous ne souhaitez pas effectuer une réinitialisation complète du système, sélectionnez 'No' (Non) et appuyez ensuite sur le bouton de fréquence. L'écran reviendra à l'affichage précédent.

En cas de dysfonctionnement dû à une décharge électrostatique, réinitialisez le produit selon la procédure décrite précédemment. Dans certaines circonstances, il peut être nécessaire de débrancher puis de rebrancher la radio pour l'utiliser correctement.

## Version du logiciel

Il n'est pas possible de modifier l'affichage de la version du logiciel. Cet affichage est donné uniquement à titre d'information.

1. Appuyez et maintenez appuyée la touche Menu pour entrer dans les réglages.
2. Tournez le bouton de fréquence jusqu'à ce que "FACTORY" (Usine) s'affiche à l'écran. Appuyez sur le bouton de fréquence pour entrer dans le menu de réglage.
3. Appuyez sur le bouton de fréquence jusqu'à ce que 'P X' ( par exemple P01) s'affiche. La version actuelle du logiciel s'affiche alors à l'écran.
4. Appuyez sur la touche Menu pour sortir de l'affichage de la version du logiciel.

## Rétroéclairage de l'écran

Il vous est possible d'ajuster la durée de fonctionnement du rétroéclairage de l'écran lorsque vous n'utilisez pas la radio.

Cette option peut être réglée lorsque votre radio est allumée ou lorsqu'elle est éteinte.

1. Appuyez et maintenez appuyée la touche Menu pour entrer dans les réglages.
2. Tournez le bouton de fréquence jusqu'à ce que "LIGHT" (Éclairage) apparaisse à l'écran. Appuyez sur le bouton de fréquence pour entrer dans le réglage de l'éclairage.
3. Tournez le bouton de fréquence pour sélectionner le temps de rétroéclairage souhaité : 10 secondes/20 secondes/30 secondes/remain backlight ON (Laisser le rétroéclairage allumé), puis appuyez sur le bouton de fréquence afin de confirmer le réglage.

**Remarque:** Si vous activez le rétroéclairage, l'écran restera illuminé lorsque la radio est allumée. Mais si vous éteignez la radio, l'écran se mettra en veille après 30 secondes.

## **GARANTIE**

Ce produit est garanti pendant deux ans.

**AVERTISSEMENT : LA GARANTIE PREND FIN LORSQUE LE BOITIER DE LA RADIO A ÉTÉ OUVERT OU LORSQUE LA RADIO A ÉTÉ MODIFIÉE DE QUELQUE MANIÈRE QUE CE SOIT PAR L'UTILISATEUR FINAL.**

La garantie de la radio ne couvre pas :

- Les dommages et le bris résultant d'une utilisation non correcte, d'un usage abusif, d'une négligence, de modifications, d'accidents ou de réparations non autorisées.
- L'usure normale en cours d'utilisation.
- Les piles.

N'ouvrez jamais l'appareil. Le fabricant n'admettra aucune responsabilité pour des dégâts résultant d'un mauvais traitement. La plaque signalétique est situé sous l'appareil.

## INFORMATIONS

### Plage de fréquence:

FM 87.50 – 108 MHz

AM (MW) 520 – 1710 kHz (10 kHz) (pour l'Amérique du Nord)  
522 – 1710 kHz (9 kHz)

**Courant secteur:** AC 230V/50Hz/10W (Europe)

**Piles:** 4 x C (UM-2) (il est recommandé d'utiliser des piles de 4000 mAh)

### Puissance de sortie:

2 Watt 10% T.H.D. @ 100 Hz @ DC battery 6V

4.5 Watt 10% T.H.D. @ 100 Hz @ AC 230V

*La société se réserve le droit de modifier ces caractéristiques techniques sans préavis.*



*Si à l'avenir vous devez vous débarrasser de ce produit, veuillez noter que : Les produits électriques ne peuvent pas être jetés avec le reste des déchets ménagers. Si possible, amenez l'appareil à un centre de recyclage. Vérifiez auprès de votre municipalité ou de votre détaillant pour en savoir plus sur le recyclage. (Directive relative aux déchets d'équipements électriques et électroniques).*



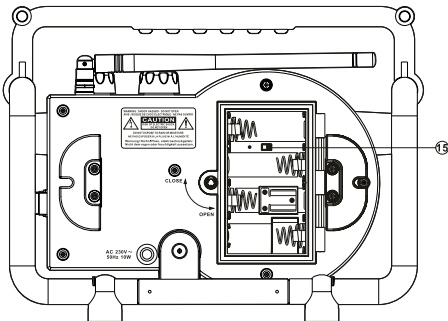
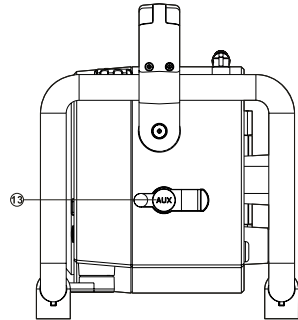
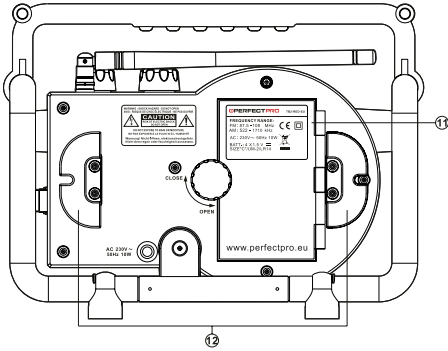
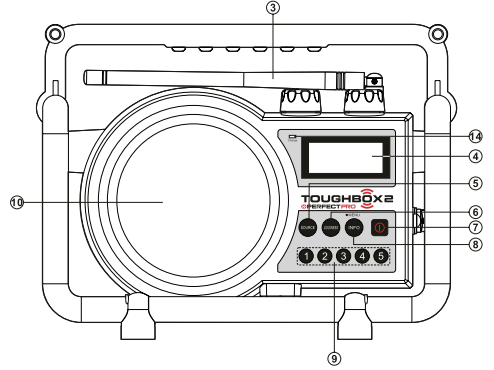
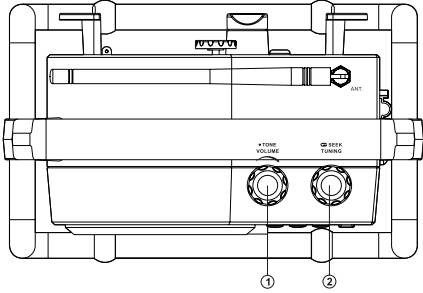
**WAARSCHUWING ! GARANTIE VERVALT ZODRA DE BEHUIZING VAN HET APPARAAT IS GEOPEND OF ER WIJZIGINGEN ZIJN GEMAAKT AAN HET ORIGINELE APPARAAT**

Open nooit de behuizing. De producent aanvaardt geen aansprakelijkheid voor schade en/of letsel veroorzaakt door onjuist gebruik. Het typeplaatje vindt u op de onderzijde van het apparaat.

## Belangrijke Veiligheidsvoorschriften

1. Lees deze instructies.
2. Bewaar deze instructies.
3. Houd u aan alle waarschuwingen.
4. Volg alle instructies.
5. Gebruik dit apparaat niet in de buurt van water.
6. Maak het alleen schoon met een droge doek.
7. Plaats het apparaat niet in de buurt van warmtebronnen, zoals radiatoren, verwarmingsroosters, fornuizen en andere apparaten (waaronder ook versterkers) die warmte produceren.
8. Gebruik de veiligheidsfunctie van de gepolariseerde of geaarde stekker. Een gepolariseerde stekker heeft twee pinnen, één is breder dan de ander. Een geaarde stekker heeft twee pinnen en een derde aardepin. De brede pin of derde pin zijn voorzien voor uw veiligheid. Als de voorziene stekker niet in uw stop- contact past, raadpleeg dan een elektricien voor het vervangen van uw stopcontact.
9. Bescherm het netsnoer tegen stappen of pletten bij de stekker, het stopcontact en het punt waar ze het apparaat verlaten.
10. Gebruik alleen accessoires/hulpstukken die door de fabricant zijn gespecificeerd.
11. Alleen gebruiken met het wagentje, standaard, driepoot, haak of tafel die gespecificeerd is door de fabrikant of verkocht met het apparaat. Beweeg, als er een wagentje wordt gebruikt, het wagentje voorzichtig om verwonding door omvallen te voorkomen.
12. Haal de stekker van het apparaat uit het stopcontact tijdens on- weer of als het apparaat voor lange tijd niet wordt gebruikt.
13. Laat alle onderhoud over aan gekwalificeerd onderhoudspersoneel. Er is onderhoud nodig wanneer het apparaat is beschadigd, bijvoorbeeld wanneer het netsnoer is beschadigd, er vloeistof is gemorst op of voorwerpen zijn gevallen in het apparaat zijn gevallen, het apparaat is blootgesteld aan regen of vocht, niet normaal werkt of is gevallen.
14. Stel het apparaat niet bloot aan regen of vocht om het risico van brand of elektrische schok te voorkomen.
15. De schokgevaar-markering en de bijbehorende afbeelding staan op de achterkant van het apparaat.
16. De stekker moet zich in de buurt van de radio bevinden en moet altijd eenvoudig bereikt kunnen worden, zodat u de radio eenvoudig van het lichtnet kunt ontkoppelen in geval van nood. Haal in zo'n geval gewoon de stekker uit het stopcontact.
17. Gebruik, bij buitenshuis gebruik op regenachtige dagen of bij nat weer, alleen batterijen.
18. Dit apparaat is voorzien van bescherming tegen spattend water (IPX4).
19. De batterijen mogen niet worden blootgesteld aan extreme warmte zoals zonlicht, vuur en dergelijke.
20. Om mogelijke gehoorschade te voorkomen niet op een hoog volume gedurende een lange periode luisteren.







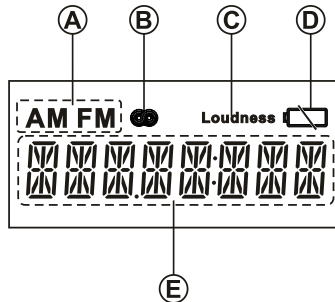
## Bedieningselementen

- ① Volume knop/Toonregeling
- ② Tuning knop/Auto-tune
- ③ Rubberen FM antenne
- ④ LCD Display
- ⑤ Source knop
- ⑥ Loudness knop
- ⑦ Aan/uit knop
- ⑧ Info knop/Menu knop
- ⑨ Voorkeueknoppen
- ⑩ Luidspreker
- ⑪ Batterijen compartiment
- ⑫ Stroomkabel
- ⑬ Aux-ingang
- ⑭ Batterij laad-indicator LED
- ⑮ NiMH/Alkaline batterij-schakelaar

NL

## LCD Display

- A AM/FM-indicator
- B RDS-indicator
- C Loudness-indicator
- D "Batterijen bijna leeg"-indicator
- E Tekst display



## INSCHAKELEN VAN DE RADIO

### 1. Gebruik op batterijen


1. Plaats de batterijen, draai eerst de vergrendeling van het deksel van het batterijen compartiment tegen de klok in los, en open het deksel.

#### Opmerking:

Voor u de batterijen plaatst, indien u niet herlaadbare batterijen gebruikt, verzeker u ervan dat de schakelaar in het batterijen compartiment op de stand "batteries" (batterijen) staat. Indien u herlaadbare batterijen gebruikt, gelieve dan de schakelaar in te stellen op de stand "charger" (opladen).

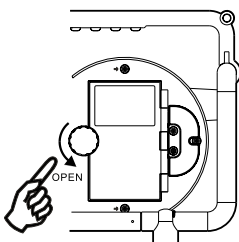
2. Plaats 4 batterijen C (UM-2) in de ruimte. Verzeker u ervan dat de batterijen geplaatst zijn in overeenstemming met de afgebeelde plaatsingswijze. Sluit het deksel van het batterijen compartiment en draai om de vergrendeling met de klok mee vast.

Indien de radio voor langere tijd niet gebruikt wordt, wordt aanbevolen de batterij uit de radio te verwijderen.

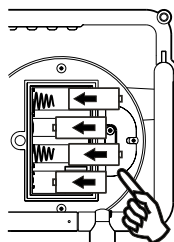
Verminderde capaciteit, storing en een “stotterend geluid” of het symbool  dat op het scherm knippert, zijn allemaal aanduidingen dat de batterijen vervangen of opgeladen moeten worden. (zie onderstaand deel over opladen van de batterijen)

Bij het spelen op (oplaadbare) batterijen is het uitgangsvermogen minder ten opzichte van het uitgangsvermogen bij het spelen op netstroom. Hierdoor kan het geluid enigszins vervormen bij de hogere volume-instellingen.

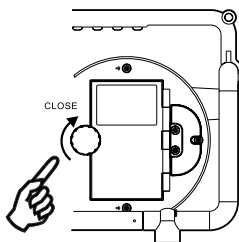
1.



2.



3.



### OPLADEN VAN DE BATTERIJEN

De radio kan enkel opgeladen worden wanneer het toestel uitgeschakeld is.

Tijdens het opladen zal de laad-indicator LED groen knipperen. Het opladen duurt ongeveer 4 a 5 uur. De laad-indicator LED wordt continu groen wanneer het laden is voltooid.

**Opmerking:** De duur van het opladen van uw batterijen kan variëren, afhankelijk van de capaciteit (mAh) van de batterijen. Batterijen met een hogere capaciteit (mAh) moeten langer worden geladen.

#### **Belangrijk:**

Het kan onder bepaalde omstandigheden voorkomen dat de oplaadindicator kort knippert en daarna uitschakelt. Dit kan gebeuren wanneer de batterijen al zijn volgeladen of als de radio detecteert dat u alkaline batterijen of verschillende soorten (type of capaciteit) oplaadbare batterijen probeert op te laden. In deze gevallen zal het opladen worden gestopt.

## **BELANGRIJKE INFORMATIE VOOR HET OPLADEN EN GEBRUIKEN VAN OPLAADBARE BATTERIJEN**

1. Laad de batterijen ten minste iedere 2 maanden op.
2. Zorg ervoor dat de schakelaar in het batterijen compartiment zeker in de "CHARGER" (laden) positie staat.
3. Plaats de batterijen in het compartiment volgens de correcte polariteit (+ en -).
4. Eerste gebruik: Laad de nieuwe batterijen in één, niet onderbroken, laadbeurt tot ze vol zijn. Deze eerste laadbeurt zal langer duren dan een normale laadbeurt. Voor een langere levensduur van de batterijen is het daarna het beste om de batterijen altijd in één, niet onderbroken laadbeurt te laden tot ze volledig vol zijn en niet steeds te laden wanneer ze nog voldoende vol zijn.
5. De nieuwe batterijen zullen hun volle capaciteit pas bereiken na een aantal gebruikscycli (ontladen-laden).
6. Laad de hele groep batterijen, bij regelmatig gebruik, in de radio zitten en gebruik deze niet voor andere doeleinden. Ook nooit een paar batterijen eruit halen en voor iets anders gebruiken. Zo ontstaat een mix van (volledig) geladen en (gedeeltelijk) ontladen batterijen.
7. Laad de batterijen bij een omgevingstemperatuur tussen de 5 graden C en 35 graden C. Bij een hogere of lagere temperatuur kunnen de batterijen niet volledig geladen worden.
8. Door de hoge capaciteit van de meegeleverde batterijen kan het laden van "leeg" tot "vol" ongeveer 5 uur duren.
9. Laad geen batterijen op als de radio warm is of is blootgesteld aan hitte of warmtebronnen.
10. Geadviseerd wordt de metalen contactpunten van de batterijen en van de lader in de radio van tijd tot tijd te reinigen met een contactspray speciaal voor elektronica.
11. Nooit oude en nieuwe oplaadbare batterijen door elkaar gebruiken.
12. Nooit oplaadbare en niet-oplaadbare batterijen door elkaar gebruiken.
13. Nooit lege en volgeladen oplaadbare batterijen door elkaar gebruiken.
14. Nooit batterijen door elkaar gebruiken met een verschillende capaciteit (mAh).
15. Nooit beschadigde, misvormde of lekkende batterijen gebruiken.
16. De batterij status indicatie (batterij-icoon in display) is een indicatie bij benadering en deze kan verschillen afhankelijk van het gebruikte type batterijen.
17. De batterijen kunnen warm worden tijdens het opladen.
18. In koude omstandigheden zal de capaciteit van batterijen lager zijn dan bij normale kamertemperatuur.
19. Batterijen vallen, als zijnde verbruiksgoederen, niet onder de garantiebepalingen zoals deze gelden voor de radio.
20. Het wordt aangeraden om Perfectpro oplaadbare batterijen te gebruiken, omdat de radio en de interne oplader ontwikkeld zijn voor deze batterijen.
21. Batterijen mogen niet bij het normale huisvuil worden aangeboden of worden verbrand als afval.
22. Breng uw niet-herlaadbare batterijen bij voorkeur naar een verzamelstation voor verwerking van batterijen.

### **2. Gebruik op netstroom**

Voordat u de stroomkabel met het stopcontact verbindt, dient u te controleren of de netstroom spanning correct is. Wanneer u alkaline batterijen gebruikt en de schakelaar in het batterijen compartiment op "BATTERIES" (batterijen) staat dan zullen de batterijen automatisch worden uitgeschakeld wanneer u netstroom gebruikt.

De kabel-opbergmogelijkheid, die zich achter op de radio bevindt, dient ervoor om de stroomkabel op te bergen wanneer de radio niet gebruikt wordt of wanneer hij op batterijen speelt.

## DE KLOK INSTELLEN

### ***Automatisch de klok instellen-Radio Data System (RDS)***

Wanneer u de klok instelt met de RDS functie, synchroniseert uw radio de tijd wanneer u een radio station ontvangt met RDS-CT signaal.

1. Wanneer u luistert naar een radiostation met RDS zender informatie, druk de Menu knop in en houd deze ingedrukt tot u in het Menu komt.
2. Draai de Tuning knop tot "RDS CT" wordt weergegeven in het display. Druk op de Tuning knop om te bevestigen.
3. Draai de Tuning knop tot "CT ON" wordt weergegeven. Druk op de Tuning knop om te bevestigen. De klok zal vanaf nu automatisch worden ingesteld met het RDS signaal.
4. Wanneer u deze automatische instel-functie (CT) wilt draai de Tuning knop tot "CT OFF" wordt weergegeven en druk op de Tuning knop om te bevestigen. Nu kunt u handmatig de klok instellen, volg hiervoor de onderstaande stappen:

### ***Handmatig de klok instellen***

1. De tijd kan worden ingesteld als de radio aan of uit staat.
2. Het display zal "--:--" weergegeven wanneer er batterijen zijn geplaatst of de radio is aangesloten op netstroom.
3. Druk op de Menu knop en houd deze ingedrukt tot u in het Menu komt. Draai de Tuning knop tot "TIME SET" wordt weergegeven in het display. Druk op de Tuning knop om te bevestigen.
4. Draai de Tuning knop om het uur in te stellen. Druk op de Tuning knop om te bevestigen. De minuten zullen gaan knipperen op het display.
5. Draai de Tuning knop om de minute in te stellen. Druk op de Tuning knop om te bevestigen. Druk op de Menu knop om af te sluiten.

### ***12 of 24 uren klok-weergave***

1. Druk op de Menu knop en houd deze ingedrukt tot u in het Menu komt. Draai de Tuning knop tot 'CLOCK 24H (of 12H)' wordt weergegeven in het display. Druk op de Tuning knop om te bevestigen.
2. Draai de Tuning knop om te kiezen tussen de 12 of 24 uren klok-weergave. Druk op de Tuning knop om te bevestigen.

## UW RADIO BEDIENEN-FM/AM AUTO-TUNE

1. Zet de antenne rechtop.
2. Druk op de Aan/uit knop om de radio in te schakelen.
3. Druk op de Source knop tot de FM/AM band is geselecteerd.
4. Draai de Tuning knop met de klok mee. De getoonde frequentie neemt toe. Druk daarna op de Tuning knop om een automatische scan uit te voeren. Uw radio scant vanaf de frequentie die getoond wordt naar een hogere frequentie op de geselecteerde band en stopt met scannen als er een zender met voldoende signaalsterkte wordt gevonden. Om naar zenders met een lagere frequentie te scannen, draait u de Tuning knop tegen de klok in en drukt u vervolgens op de Tuning knop. Uw radio scant vanaf de frequentie die getoond wordt naar lagere frequenties op de geselecteerde band en stopt met scannen als er een zender met voldoende signaalsterkte wordt gevonden.
5. Na een paar seconden zal het display worden bijgewerkt. Het display toont de frequentie van de gevonden zender.
6. Druk om andere zenders te vinden met als eerder op de Tuning knop. Wanneer het einde van de golfband is bereikt, dan zal uw radio verder gaan vanaf het andere uiteinde van de golfband.
7. Stel het volume naar wens in.
8. Druk op de Aan/uit knop om de radio uit te schakelen.

### Opmerking:

Als de ontvangst slecht is; probeer de antenne dan te herpositioneren.

## HANDMATIG AFSTEMMEN-FM/AM

1. Druk op de Aan/uit knop om de radio in te schakelen.
2. Druk op de Source knop tot de FM/AM band is geselecteerd.
3. Zorg dat de FM antenne rechtop staat en herpositioneer de antenne indien noodzakelijk voor een betere ontvangst. Voor AM, herpositioneer de radio voor een betere ontvangst.
4. Draai de Tuning knop om af te stemmen op een zender. De frequentie verandert met stappen van:  
FM: 50 of 100 kHz  
AM (MW): 9 of 10 kHz (10 kHz instelling voor AM band in Noord-Amerika)
5. Stel het volume naar wens in.
6. Druk op de Aan/uit knop om de radio uit te schakelen.

## VOORKEURSZENDERS INSTELLEN-FM/AM

Om voorkeurszenders in te stellen, volg de volgende stappen. Voor elke band zijn 5 geheugenplaatsen voor voorkeurszenders beschikbaar.

1. Druk op de Aan/uit knop om de radio aan te zetten.
2. Draai de Tuning knop om de gewenste zender te kiezen.
3. Druk op de gewenste voorkeuzeknop en houd deze ingedrukt totdat de radio een piepgeluid geeft. Het nummer verschijnt in het scherm en de zender wordt opgeslagen onder de gekozen voorkeuzeknop.
4. Herhaal deze procedure voor andere voorkeurszenders.
5. Zenders die opgeslagen zijn onder de voorkeuzeknop kunnen op dezelfde manier ook weer overschreven worden.

## VOORKEURSZENDERS OPROEPEN-FM/AM

1. Druk op de Aan/uit knop om de radio in te schakelen.
2. Druk op Source om de gewenste band te selecteren.
3. Druk kort op de voorkeuzeknop om af te stemmen op de zender die is opgeslagen onder de desbetreffende voorkeuzeknop.

## WEERGAVE-OPTIES-FM

Uw radio heeft verschillende weergave-opties in de FM-modus. Het Radio Data System (RDS) is een systeem waarbij onhoorbare digitale informatie wordt verzonden in aanvulling op het normale FM-radiosignaal.

RDS biedt verschillende handige functies. De volgende functies zijn beschikbaar op uw radio:

1. Druk op de Info knop om door de verschillende opties te bladeren:
  - a. Frequentie Weergave van de huidige frequentie.
  - b. Zendernaam Toont de naam van de huidige zender.
  - c. Programma type Toont het soort zender dat beluisterd wordt, bijv. Pop, Klassiek, Nieuws, etc.
  - d. Radiotekst Toont scrollende tekstberichten, zoals de naam van de artiest of track, telefoonnummer, webadres, etc.
  - e. Signaalsterkte Toont de signaalsterkte van de huidige zender.
  - f. Tijd Toont de huidige tijd.

### Opmerking:

Wanneer er geen RDS-data beschikbaar is (of wanneer het signaal te zwak is), gaat het display na 10 seconden terug naar de frequentie weergave. Wanneer er wel een Zendernaam wordt ontvangen, gaat het display terug naar weergave van de zendernaam.

## BANDBREEDTE BEPERKEN-AM

Met het oog op een betere ontvangst van zwakke AM-zenders is de radio voorzien van een functie om de AM bandbreedte te beperken om zo hoge frequentie-ruis te verminderen.

1. Druk op de Menu knop en houd deze ingedrukt tot u in het Menu komt.
2. Draai de Tuning knop tot "AM B.W." wordt weergegeven op het display. Druk op de Tuning knop om te bevestigen.
3. Draai de Tuning knop om "WIDE" (breed), "NORMAL" (normaal) of "NARROW" (smal) te selecteren, druk daarna op de Tuning knop om te bevestigen.

## AFSTEMSTAP INSTELLEN–FM/AM

1. Druk op de Menu knop en houd deze ingedrukt tot u in het Menu komt.
2. Draai de Tuning knop tot 'FACTORY' wordt weergegeven in het display. Druk op de Tuning knop om te bevestigen.
3. Draai de Tuning knop tot 'FM X K' of 'AM X K' wordt weergegeven in het display. Druk op de Tuning knop om te bevestigen.
4. Draai de Tuning knop om te kiezen tussen de gewenste instelling: FM (50 kHz of 100 kHz) of AM (9 kHz of 10 kHz). Druk op de Tuning knop om te bevestigen.

### Opmerking:

Bij het opnieuw instellen van de afstemstap van de AM band, gaan alle opgeslagen AM-zenders verloren.

## SOFT MUTE (S-MUTE)

Bij Soft Mute worden storende achtergrond geluiden die optreden bij een zwak signaal geminimaliseerd, echter wordt de ontvangststerkte ook iets verminderd door deze functie. Standaard staat de functie aan. Soft Mute kan worden in- en uitgeschakeld wanneer de radio aan of uit staat.

1. Druk op de Menu knop en houd deze ingedrukt tot u in het Menu komt.
2. Draai de Tuning knop tot "SOFTMUTE" wordt weergegeven op het display. Druk op de Tuning knop om te bevestigen.
3. Draai de Tuning knop om "ON" of "OFF" te selecteren, druk daarna op de Tuning knop om te bevestigen.

## TOONREGELING

Met de Toonregeling functie kunnen de lage tonen (Bass) en hoge tonen (Treble) aan uw persoonlijke voorkeur aangepast worden.

1. Druk op de Tuning knop en houd deze ingedrukt tot "TREBLE" wordt weergegeven op het display.
2. Draai de Tuning knop om het gewenste Treble-niveau in te stellen (tussen -5 en +5). Het geluid wordt direct aangepast. Druk op de Tuning knop om te bevestigen. U kunt nu het gewenste Bass-niveau instellen.
3. Draai de Tuning knop om het gewenste Bass-niveau in te stellen (tussen -5 en +5) het geluid wordt direct aangepast. Druk op de Tuning knop om te bevestigen.

## LOUDNESS

De Loudness functie zorgt voor compensatie op de lagere en hogere geluidsfrequenties. Het effect zal het best hoorbaar zijn als de radio is ingesteld op een lager volumeniveau (Dynamic Loudness).

1. Druk op de Loudness knop. In het display zal de "Loudness" indicator verschijnen.
2. Om Loudness uit te zetten, druk nogmaals op de Loudness knop. De "Loudness" indicator wordt dan niet meer weergegeven.

## AUX INGANG

Er zit een 3,5mm aux-ingang op de rechterkant van uw radio om het mogelijk te maken een audiosignaal te ontvangen van een extern audioapparaat zoals een iPod, MP3-of Cd-speler.

1. Druk op de Source knop tot "AUX IN" wordt weergegeven in het display
2. Sluit een externe audiobron (bijvoorbeeld iPod, MP3-of Cd-speler) aan op de aux-ingang.
3. Stel het volume in op uw iPod, MP3-of Cd-speler, zorg voor een adequaat signaalniveau en gebruik vervolgens de Volumeregeling van de radio om het volume naar wens in te stellen.

**Opmerking:** Gebruik de aux-ingang nooit onder regenachtige of vochtige omstandigheden om te voorkomen dat er vocht in de radio kan komen. Houd de rubberen afdekking aan de zijkant goed gesloten onder deze omstandigheden.

## FABRIEKSRESET

U kunt uw radio volledig resetten naar de oorspronkelijke staat door de volgende procedure uit te voeren. Door het uitvoeren van een fabrieksreset worden alle instellingen die door de gebruiker zijn gemaakt gewist.

1. Druk op de Menu knop en houd deze ingedrukt tot u in het Menu komt.
2. Draai de Tuning knop tot 'FACTORY' wordt weergegeven in het display. Druk op de Tuning knop om te bevestigen.
3. Draai de Tuning knop tot "RESET" wordt weergegeven in het display. Druk op de Tuning knop om te bevestigen.
4. Draai de Tuning knop om 'YES' te selecteren en druk op de Tuning knop om te bevestigen. Er wordt een volledig reset uitgevoerd. Voorkeurszenders worden gewist. Alle instellingen worden ingesteld op hun standaardwaarden.

Wanneer u geen reset uit wilt voeren, selecteer 'No' en druk op de Tuning knop om te bevestigen. Het display gaat terug naar de voorgaande weergave.

In geval van een storing als gevolg van een elektrostatische ontlading, reset het product met behulp van de bovenstaande procedure. Onder sommige omstandigheden kan het nodig zijn het apparaat opnieuw op het lichtnet aan te sluiten om normaal gebruik te hervatten.

## SOFTWARE VERSIE

De software kan niet worden geüpgraded en is enkel ter informatie.

1. Druk op de Menu knop en houd deze ingedrukt tot u in het Menu komt.
2. Draai de Tuning knop tot "FACTORY" wordt weergegeven in het display. Druk op de Tuning knop om te bevestigen.
3. Draai de Tuning knop tot 'P X' (e.g.P01) wordt weergegeven in het display. De huidige software versie wordt getoond in het display.
4. Druk op de Menu knop om terug te keren..

## DISPLAY VERLICHTING TIME-OUT

U kunt instellen hoe lang het display wordt verlicht na het indrukken van een toets of het draaien aan een knop.

U kunt dit instellen als de radio aan of uit staat.

1. Druk op de Menu knop en houd deze ingedrukt tot u in het Menu komt.
2. Draai de Tuning knop tot "LIGHT" wordt weergegeven in het display. Druk op de Tuning knop om te bevestigen.
3. Draai de Tuning knop om een keuze te maken uit de time-out instellingen (LIGHT 10S/LIGHT 20S/LIGHT 30S/LIGHT ON (10, 20, 30 seconden, altijd aan), en druk op de Tuning knop om te bevestigen.

**Opmerking:** Wanneer u "LIGHT ON" (altijd aan) selecteert, blijft het display altijd verlicht als de radio is ingeschakeld, maar wanneer de radio wordt uitgeschakeld, zal de verlichting na 30 seconden dimmen.



## **GARANTIE**

Dit product heeft 2 jaar garantie.

**WAARSCHUWING ! DE GARANTIE VERVALT INDIEN DE BEHUIZING VAN HET APPARAAT GEOPEND IS OF INDIEN HET APPARAAT DOOR DE EINGEBRUIKER OP ENIGERLEI WIJZE GEMODIFICEERD OF VERANDERD IS !**

De voorwaarden van de garantie van deze radio dekken niet de volgende zaken:

- Schade, beschadiging en breuk veroorzaakt door verkeerd gebruik, misbruik, verwaarlozing, wijzigingen, ongevallen of ongeautoriseerde reparaties.
- Normale gebruiksslijtage.
- Batterijen.

Open nooit de behuizing. De producent aanvaardt geen aansprakelijkheid voor schade en/of letsel veroorzaakt door onjuist gebruik. Het typeplaatje vindt u op de onderzijde van het apparaat.

## Specificaties

### Frequentiebereik:

FM 87.50 – 108 MHz  
AM (MW) 520 – 1710 kHz (10 kHz)  
522 – 1710 kHz (9 kHz)

### Voeding:

Wisselstroom 230V/50Hz/10W (Europa)

**Batterijen:** 4xC-cel (UM-2) (4000 mAh aanbevolen)

### Uitgangsvermogen:

2 Watt 10% T.H.D. @ 100 Hz @ gelijkstroom batterij 6V  
4.5 Watt 10% T.H.D. @ 100 Hz @ wisselstroom 230V

*Het bedrijf behoudt zich het recht voor om de specificaties te wijzigen zonder voorafgaande kennisgeving.*



*Als u zich op enig moment in de toekomst wenst te ontdoen van dit product, houd er dan rekening mee dat elektrische afvalproducten niet mogen worden weggegooid met het normale huisvuil. Recycle waar mogelijk. Neem contact op met de gemeente of de winkelier voor recycleadvies. (Richtlijn afgedankte elektrische en elektronische apparatuur)*

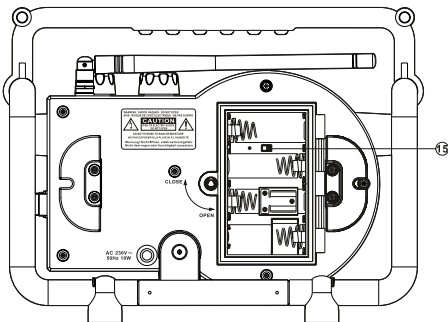
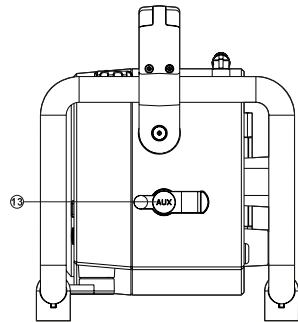
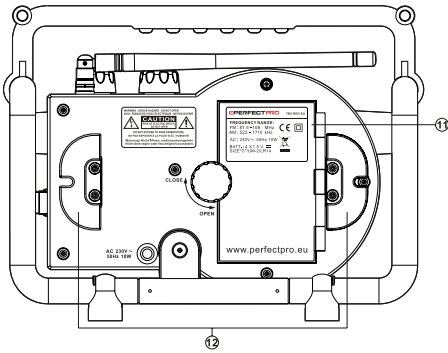
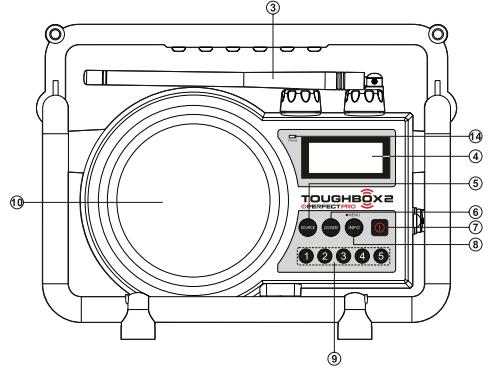
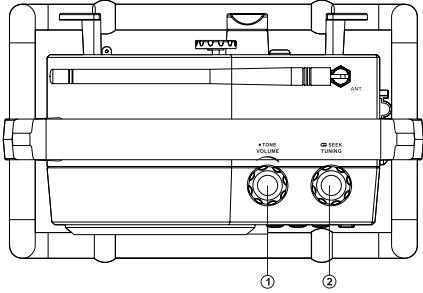


**WARNUNG!** Der Garantieanspruch erlischt, sobald das Gehäuse des Radios geöffnet wird oder Modifikationen oder Änderungen jedweder Art an dem Radio vorgenommen werden!  
Öffnen Sie niemals das Gehäuse des Geräts. Der Hersteller übernimmt keine Haftung für Schäden, die auf einen unsachgemäßen Umgang zurückzuführen sind. Das Typenschild befindet sich an der Rückseite des Geräts.

## Wichtige Sicherheitsvorkehrungen

1. Lesen Sie alle Anleitungen durch.
2. Bewahren Sie diese Anleitungen auf.
3. Beachten Sie alle Warnungen.
4. Befolgen Sie alle Anleitungen.
5. Benutzen Sie dieses Gerät nicht in der Nähe von Wasser
6. Nur mit einem trockenem Tuch reinigen.
7. Installieren Sie das Gerät nicht in der Nähe von Wärmequellen, wie z. B. Heizungen, Herden oder anderen Geräten, die Wärme produzieren (z. B. Verstärker).
8. Wenn Ihr Gerät über einen polarisierten oder geerdeten Stecker verfügt, machen Sie auf keinen Fall diese Sicherheitsfunktion unbrauchbar. Ein polarisierter Stecker hat zwei Flügel, bei denen einer breiter als der andere ist. Verfügt der Stecker über eine Erdung, so ist ein dritter Erdungsflügel vorhanden. Der breite und der Erdungsflügel sind eingebaute Sicherheitsvorrichtungen. Wenn der Stecker Ihres Geräts nicht in Ihre Steckdose passt, wenden Sie sich bitte an einen ausgebildeten Elektriker.
9. Schützen Sie das Netzkabel vor Druckeinwirkung, insbesondere am Stecker, an Steckdosen oder am Ausgangspunkt des Geräts.
10. Verwenden Sie lediglich vom Hersteller angegebenes Zubehör.
11. Das Gerät darf nur dann mit Wagen, Gestellen, Dreifüßen, Halterungen oder Tischen verwendet werden, wenn diese vom Hersteller entsprechend angegeben wurden oder zusammen mit dem Gerät verkauft wurden. Wenn ein Wagen benutzt wird, muss darauf geachtet werden, dass das Gerät nicht zusammen mit dem Wagen umkippt und Verletzungen verursacht.
12. Ziehen Sie bei Gewittern oder bei längerer Nichtbenutzung den Stecker aus der Steckdose.
13. Wenden Sie sich nur an ausgebildetes Wartungspersonal. Das Gerät sollte in Wartung gegeben werden, nachdem es in irgendeiner Weise beschädigt wurde, wie z. B. bei Beschädigung des Netzkabels, nachdem Flüssigkeit über das Gerät gegossen wurde oder Gegenstände in das Gerät gelangt sind, es heruntergefallen ist, nicht auf gewohnte Weise funktioniert oder Regen bzw. Feuchtigkeit ausgesetzt wurde.
14. Um Feuer und elektrischen Schlägen vorzubeugen, vermeiden Sie es, das Gerät Regen oder Feuchtigkeit auszusetzen.
15. Ein entsprechendes Warnsymbol befindet sich auf der Geräteunterseite.
16. Schließen Sie den Netzstecker an eine Steckdose an, die leicht zugänglich ist und sich in der Nähe des Geräts befindet. So wird gewährleistet, dass Sie im Notfall einfach nur den Stecker aus der Steckdose ziehen müssen, um das Gerät vom Netzstrom zu trennen.
17. Um Stromschlägen vorzubeugen, benutzen Sie das Gerät bei Regen oder Nässe nur mit Batterien, wenn Sie es im Freien verwenden.
18. Dieses Gerät ist spritzwassergeschützt (IPX4).
19. Die Batterien dürfen niemals starker Hitze, wie z.B. Sonnenlicht, Feuer o. Ä. ausgesetzt werden.
20. Um mögliche Gehörschäden zu vermeiden, setzen Sie sich nicht über längere Zeiträume hohen.





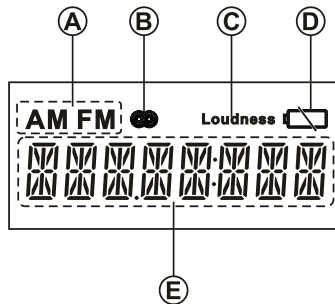
## Bedienelemente

- ① Lautstärkereglер/Ton
- ② Frequenzregler/Sendersuche
- ③ UKW-Antenne
- ④ LCD-Display
- ⑤ Source-Taste
- ⑥ Lautstärke-Taste
- ⑦ Ein-/Aus-Taste
- ⑧ Info-Taste/Menü-Taste
- ⑨ Speichertasten
- ⑩ Lautsprecher
- ⑪ Batteriefach
- ⑫ Netzkabel-Halterung
- ⑬ Aux-Eingang
- ⑭ Ladekontrolllampe
- ⑮ NiMH-/Alkaline-Schalter

D

## LCD-Display

- A) Frequenzbandanzeige
- B) RDW-Anzeige
- C) Lautstärke Ein
- D) Batterieladezustandsanzeige
- E) Textanzeige



## Das Radio einschalten


### 1. Batteriebetrieb

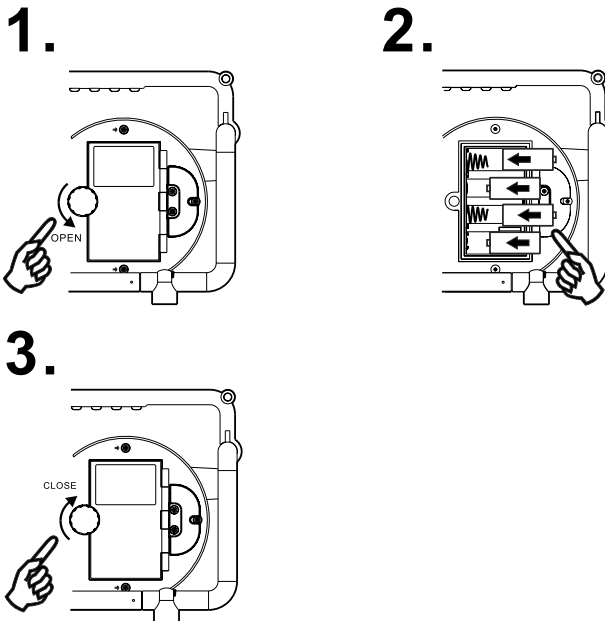
1. Zum Einsetzen der Batterien zuerst die Batteriefachverriegelung gegen den Uhrzeigersinn drehen und dann die Abdeckung abnehmen.

#### Hinweis:

Achten Sie vor dem Einsetzen der Batterien darauf, dass der Batterieschalter, der sich im Inneren des Batteriefachs befindet, auf „Batterien“ gestellt ist. Falls Sie wiederaufladbare Batterien verwenden, muss der Batterieschalter auf „Charger“ gestellt sein.

2. Setzen Sie 4 Batterien (UM-2) in das Fach ein. Achten Sie darauf, dass die Batterien, wie in der Abbildung zu sehen, ausgerichtet sind.

Die Batteriefachabdeckung schließen und die Verriegelung im Uhrzeigersinn drehen.  
 Falls das Radio für längere Zeit nicht benutzt wird, sollten Sie die Batterien entnehmen.  
 Verminderte Leistung, verzerrter und „stotternder“ Ton sowie die auf dem Display blinkende Anzeige  weisen darauf hin, dass die Batterien ersetzt oder wiederaufgeladen werden müssen. (Zum Wiederaufladen der Batterien siehe unten)  
 Beim Abspielen mit (wiederaufladbaren) Batterien ist die Ausgangsleistung niedriger als beim Abspielen über Netzkabel. Aus diesem Grund ist der Klang bei höherer Lautstärke möglicherweise leicht verzerrt.



### Aufladen der Batterien

Vergewissern Sie sich, dass das Radio ausgeschaltet ist und das Netzkabel an der Steckdose angeschlossen ist.

Wenn die LED der Batterie-Ladeanzeige grün blinkt. Das bedeutet dass die Akkus aufgeladen werden. Zum Aufladen der Akkus benötigt das Gerät ca. 4-5 Stunden. Die Ladeanzeige leuchtet grün auf, wenn der Ladevorgang abgeschlossen ist.

**Hinweis:** Die Ladedauer ist dabei abhängig von der Kapazität der Akkus. Die Ladedauer der Akkus hängt von der Kapazität ab. Höhere mAh-Werte benötigen längere Ladezeiten.

### **Wichtig:**

Unter bestimmten Bedingungen kann es passieren, dass die Lade-LED-Anzeige sich nach kurzem Blinken ausschaltet. Dies kann passieren, wenn die Batterien bereits aufgeladen sind, oder wenn das Radio erkennt, dass Sie möglicherweise versuchen alkalische Batterien oder Akkus verschiedener Typen oder Kapazitäten aufzuladen. In diesen Fällen wird der Ladevorgang gestoppt.



## WICHTIGE INFORMATIONEN ZUM LADEN UND VERWENDEN WIEDERAUFLADBARER BATTERIEN

1. Laden Sie die Batterien mindestens alle 2 Monate auf.
2. Der Batterieladeschalter neben dem Batteriefach muss auf der Position „CHARGE/NIMH ON“ stehen.
3. Legen Sie die Batterien unter Berücksichtigung der richtigen Polarität ein (+ und -).
4. Erstmaliger Gebrauch: Laden Sie die Batterien mit einem kontinuierlichen, ununterbrochenen Ladevorgang, bis sie voll sind. Das erstmalige Aufladen kann länger als normale Ladezyklen dauern. Im Hinblick auf eine lange Lebensdauer der Batterien sollten Sie Batterien immer mit einem kontinuierlichen und ununterbrochenen Ladevorgang aufladen, bis sie voll sind und nicht erneut aufladen, solange die Batterien noch voll sind.
5. Neue Batterien erreichen ihre vollständige Kapazität erst nach einiger Zeit (mehrere Lade- und Entladezyklen).
6. Belassen Sie alle Batterien im Radio und entnehmen Sie diese oder einige davon nicht für andere Zwecke. Anderenfalls werden volle und (halb) leere Batterien miteinander vermischt, wodurch die Batterien oder das Radio ernsthaft beschädigt werden könnten.
7. Sie sollten Batterien nur bei Raumtemperatur zwischen 5 Grad und 35 Grad Celsius aufladen. Bei niedrigeren oder höheren Temperaturen kann keine vollständige Ladung erreicht werden.
8. Je nach Kapazität der Batterien kann ein vollständiger Ladevorgang (von „leer“ bis „voll“) einige Stunden dauern, sogar bis zu 5 Stunden oder länger.
9. Laden Sie Batterien nicht auf, wenn das Radio heiß ist oder Wärme bzw. Wärmequellen ausgesetzt ist.
10. Reinigen Sie die Metallkontakte der Batterien und des Ladegeräts im Inneren des Radios von Zeit zu Zeit, z.B. mit einem Kontaktspray.
11. Mischen Sie niemals alte und neue Batterien.
12. Verwenden Sie normale und wiederaufladbare Batterien nicht gemeinsam.
13. Verwenden Sie volle wiederaufladbare Batterien nicht zusammen mit leeren.
14. Verwenden Sie keine Batterien unterschiedlicher mAh-Kapazität.
15. Verwenden Sie keine beschädigten, verformten oder auslaufenden Batterien.
16. Die Batteriestatusanzeige entspricht einer Schätzung und kann je nach Batterietyp variieren.
17. Batterien können während des Ladevorgangs heiß werden.
18. Unter kalten Bedingungen ist die Kapazität von Batterien viel niedriger als bei normaler Raumtemperatur.
19. Batterien (auch falls im Lieferumfang enthalten) sind Verbrauchsgüter und fallen nicht unter die Garantiebestimmungen für das Radio.
20. Wir empfehlen den Gebrauch von wiederaufladbaren PerfectPro Batterien, da das Radio und das Ladegerät für diese Art von Batterien entwickelt wurden.
21. Batterien dürfen nicht verbrannt oder im Haushaltsabfall entsorgt werden.
22. Einwegbatterien sollten möglichst in einem Recycling-Center abgegeben werden.

### 2. Netzbetrieb

Bevor Sie das Netzkabel an einer Steckdose anschließen, vergewissern Sie sich bitte, dass die Netzspannung geeignet ist. Wenn sich im Radio Batterien befinden, wird der Batteriebetrieb bei Netzanschluss automatisch deaktiviert.

Die Kabelhalterung ist dazu gedacht das Kabel aufzubewahren, wenn das Radio nicht benutzt wird.

## Uhrzeit einstellen

### **Automatisches Einstellen der Uhr–RDS (Radio Data System)**

Wenn Sie die Uhrzeit mithilfe der RDS-Funktion einstellen, wird Ihr Radio seine Uhrzeit jedes Mal synchronisieren, wenn es mit einer Radiostation abgestimmt wird, die RDS mit CT-Signalen verwendet

1. Drücken und halten Sie bei einer Abstimmung mit einer Station, die RDS-Daten übermittelt, die Menü-Taste, um das Menü Einstellungen zu öffnen.
2. Drehen Sie den Frequenzregler, bis im Display die Anzeige „RDS CT“ erscheint. Drücken Sie den Frequenzregler.
3. Drehen Sie den Frequenzregler, bis im Display die Anzeige „CT ON“ erscheint. Drücken Sie den Frequenzregler, um Ihre Einstellung zu bestätigen. Die Uhrzeit des Radios wird automatisch entsprechend den empfangenen RDS-Daten eingestellt.
4. Wenn Sie die automatische Einstellung der Uhrzeit (CT) deaktivieren möchten. Drehen Sie den Frequenzregler, bis im Display die Anzeige „CT OFF“ erscheint und drücken Sie den Frequenzregler zum Bestätigen. Die Uhrzeit kann jetzt manuell eingestellt werden. Befolgen Sie bitte die im Abschnitt „Uhrzeit manuell einstellen“ beschriebenen Schritte.

### **Uhrzeit manuell einstellen**

1. Die Uhrzeit kann bei ein-oder ausgeschaltetem Radio eingestellt werden.
2. Das Display zeigt „:-“ an, wenn die Batterien eingelegt werden oder wenn das Radio mit dem Netzkabel angeschlossen wird.
3. Drücken und halten Sie die Menü-Taste gedrückt, um das Menü „Einstellungen“ zu öffnen. Drehen Sie den Frequenzregler, bis im Display die Anzeige „TIME SET“ erscheint. Drücken Sie den Frequenzregler.
4. Drehen Sie den Frequenzregler zur Einstellung der Stunden. Drücken Sie den Frequenzregler zum Bestätigen. Die Minutenanzeige beginnt zu blinken.
5. Drehen Sie den Frequenzregler zur Einstellung der Minuten. Drücken Sie den Frequenzregler zum Bestätigen. Drücken Sie die Menü-Taste, um die Uhrzeiteinstellung zu beenden.

### **12/24 Stunden-Uhrzeitformat**

1. Drücken und halten Sie die Menü-Taste gedrückt, um das Menü Einstellungen zu öffnen. Drehen Sie den Frequenzregler, bis im Display die Anzeige 'CLOCK 24H (oder 12H)' erscheint. Drücken Sie den Frequenzregler.
2. Verwenden Sie den Frequenzregler zur Auswahl des 24-Std.- oder des 12-Std.-Formats. Drücken Sie den Frequenzregler zum Bestätigen.

## Radiobetrieb–Sendersuche–UKW/MW

1. Richten Sie die Antenne aus.
2. Drücken Sie die Ein-/Aux-Taste, um das Radio einzuschalten.
3. Drücken Sie die Source-Taste, um in den UKW-oder MW-Modus zu schalten.
4. Drehen Sie die Feinabstimmung nach rechts. Die angezeigte Frequenz wird verstärkt. Dann drücken Sie die Feinabstimmung, um eine automatische Abstimmung durchzuführen. Ihr Radio wird die UKW-/AM-Frequenz der aktuell angezeigten Frequenz durchsuchen und den Suchlauf beenden, wenn ein Sender mit ausreichender Stärke gefunden wurde. Um Sender in entgegengesetzter Richtung zu suchen, drehen Sie den Frequenzregler links herum und drücken Sie dann den Frequenzregler. Die Suche wird automatisch unterbrochen, sobald das Radio einen Sender mit ausreichender Signalstärke gefunden hat.
5. Nach einigen Sekunden wird das Display aktualisiert. Das Display zeigt die Frequenz des gefundenen Signals an.
6. Drücken Sie den Frequenzregler erneut, um weitere Sender zu suchen. Am Ende des Wellenbands setzt das Radio die Suche am anderen Ende des Wellenbands fort.
7. Zum Einstellen der Lautstärke den Lautstärkeregler drehen.
8. Zum Ausschalten des Radios drücken Sie die Ein-/Aus-Taste.

### Hinweis:

Drehen Sie die Gummiantenne für einen optimalen Empfang.

## Manuelle Sendersuche–UKW/MW

1. Drücken Sie die Ein-/Aux-Taste, um das Radio einzuschalten.
2. Drücken Sie die Source-Taste, um in den UKW-oder MW-Modus zu schalten.
3. Schrauben Sie die UKW-Gummiantenne korrekt ein, um den besten Empfang zu erhalten. Für AM (MW) Funk drehen Sie die Gummiantenne für einen optimalen Empfang.
4. Durch Drehen des Frequenzreglers ändern Sie die Frequenz in den folgenden Schritten  
UKW: 50 oder 100 kHz  
MW: 9 oder 10 kHz
5. Zum Einstellen der Lautstärke den Lautstärkeregler drehen.
6. Zum Ausschalten des Radios drücken Sie die Ein-/Aus-Taste.

## Senderspeicher–UKW/MW

So legen Sie einen Radiosender im Senderspeicher ab:

Für jeden Frequenzbereich stehen 5 Speichertasten zur Verfügung.

1. Drücken Sie die Ein-/Aux-Taste, um das Radio einzuschalten.
2. Stellen Sie den gewünschten Radiosender mit der Source-Taste und dem Frequenzregler ein.
3. Halten Sie die gewünschte Speichertaste gedrückt, bis ein Piepton ertönt. Die Speichertastenummer wird auf dem Display angezeigt. Der Sender kann jetzt über die gewählte Taste aufgerufen werden.
4. Wiederholen Sie diesen Vorgang für die übrigen Speichertasten.
5. Gespeicherte Radiosender können auf die oben beschriebene Weise auch überschrieben werden.

## Gespeicherte Sender aufrufen–UKW/MW

1. Drücken Sie die Ein-/Aux-Taste, um das Radio einzuschalten.
2. Drücken Sie die Source-Taste, um in den UKW-oder MW-Modus zu schalten.
3. Kurz die gewünschte Speichertaste drücken. Die Speichertastenummer und die Frequenz des Senders werden auf dem Display angezeigt.

## Display-Modi–UKW

Ihr Radio verfügt über sechs Display-Modi für UKW Radio. Diese verwenden Daten, die der Rundfunk bereitstellt (sogenanntes RDS).

RDS (Radio Data System) ist ein System, bei dem nicht hörbare digitale Informationen zusätzlich zum normalen UKW-Radioprogramm übertragen werden.

RDS bietet verschiedene nützliche Funktionen. Die folgenden Funktionen stehen mit Ihrem Radio zur Verfügung.

1. Drücken Sie die Info-Taste zur Auswahl der verschiedenen Optionen.
  - a. Frequenz Anzeige der Frequenz des aktuell eingestellten Senders.
  - b. Programmname Anzeige des aktuellen Sendernamens.
  - c. Programmart Anzeige des jeweiligen Sendertyps, z.B. Pop, Klassik, Nachrichten, usw.
  - d. Radiotext Anzeige der Nachricht über den aktuell eingestellten Sender als Lauftext.
  - e. Signalstärke Anzeige der Signalstärke.
  - f. Uhrzeit Anzeige der Uhrzeit.

### Hinweis:

Wenn keine RDS-Daten verfügbar sind (oder wenn das Signal zu schwach ist), wechselt die jeweilige Option nach 10 Sekunden auf die Frequenzanzeige zurück. Wenn RDS-Daten des Sendernamens verfügbar sind, wird der Sendername angezeigt werden.

## Einschränkung der Bandbreite–MW

Um einen besseren Empfang bei schwächeren AM-Sendern zu erhalten, ist Ihr Radio mit einer Funktion zur Einschränkung der Bandbreite zwecks Reduzierung von Hochfrequenzrauschen ausgestattet.

1. Drücken und halten Sie die Menü-Taste gedrückt, um das Menü „Einstellungen“ zu öffnen.
2. Drehen Sie den Frequenzregler, bis im Display die Anzeige „AM B.W.“ angezeigt wird. Drücken Sie den Frequenzregler.
3. Drehen Sie den Frequenzregler und wählen Sie aus „WIDE“ (breit), „NORMAL“ oder „NARROW“ (eng). Drücken Sie den Frequenzregler zum Bestätigen.

## Abstimmungsschritt einstellen–UKW/MW

1. Drücken und halten Sie die Menü-Taste gedrückt, um das Menü „Einstellungen“ zu öffnen.
2. Drehen Sie den Frequenzregler, bis im Display die Anzeige „FACTORY“ erscheint. Drücken Sie den Frequenzregler.
3. Drehen Sie den Frequenzregler, bis im Display die Anzeige 'UKW X K' oder 'AM X K' erscheint. Drücken Sie den Frequenzregler.
4. Drehen Sie den Frequenzregler, um den gewünschten UKW-Einstellungsschritt (50 kHz oder 100 kHz) oder AM-Einstellungsschritt (9 kHz oder 10 kHz) zu wählen. Drücken Sie den Frequenzregler zum Bestätigen.

### Hinweis:

Durch die erneute AM-Einstellung werden alle voreingestellten AM-Sender gelöscht.

D

## Soft Mute (S-MUTE)

Soft Mute dient zur Reduzierung des Hintergrundrauschens bei schwachem Signal. Allerdings wird hierdurch auch der Radioempfang reduziert. Die Funktion „Soft Mute“ steht standardmäßig auf AN. „Soft Mute“ kann bei ein- oder ausgeschaltetem Radio eingestellt werden.

1. Drücken und halten Sie die Menü-Taste gedrückt, um das Menü „Einstellungen“ zu öffnen.
2. Drehen Sie den Frequenzregler, bis im Display die Anzeige „SOFTMUTE“ erscheint. Drücken Sie den Frequenzregler.
3. Drehen Sie den Frequenzregler und wählen Sie „EIN“ oder „AUS“. Drücken Sie den Frequenzregler zum Bestätigen.

## Ton

Mit der Ton-Funktion können Sie niedrige (Bass) und höhere (Treble) Tonfrequenzen konfigurieren.

1. Drücken Sie den Frequenzregler, bis im Display die Anzeige „TREBLE“ erscheint.
2. Drehen Sie den Frequenzregler, um den Hochtton entsprechend einzustellen (zwischen -5 und +5). Der Ton ändert sich mit der Einstellung des Pegels. Drücken Sie den Frequenzregler zum Bestätigen. Sie können jetzt den Bassregler einstellen.
3. Drehen Sie den Frequenzregler, um den Bass entsprechend einzustellen (zwischen -5 und +5). Der Ton ändert sich mit der Einstellung des Pegels. Drücken Sie den Frequenzregler zum Bestätigen.

## Lautstärke

Die Lautstärke-Funktion ermöglicht den Ausgleich bei niedrigen und hohen Frequenzen. Der Effekt ist besser hörbar, wenn am Radio eine niedrigere Lautstärke (dynamische Lautstärke) eingestellt ist.

1. Drücken Sie zum Aktivieren der Lautstärke auf die Lautstärke-Taste. Die „Lautstärke“-Anzeige wird angezeigt.
2. Drücken Sie noch einmal auf die Lautstärke-Taste, um die Lautstärke zu deaktivieren. Die „Lautstärke“-Anzeige wird nicht mehr angezeigt.

## AUX IN MODUS

Unter der Gummiabdeckung an der Seite des Geräts befindet sich ein 3,5 mm Aux-Eingang, an den externe Audiogeräte wie z.B. iPod, MP3-Player oder CD-Player angeschlossen werden können.

1. Betätigen Sie die Source-Taste zur Auswahl des AUX-Eingangssignals. In der Anzeige erscheint „AUX IN“.
2. Schließen Sie eine externe Audio-Quelle (z. B. iPod, MP3 oder CD-Player) an den Aux-Eingang an.
3. Stellen Sie die Lautstärke an Ihrem iPod, MP3 oder CD-Player ein, um eine ausreichende Signalstärke des Abspielgeräts zu erhalten und drehen Sie die Lautstärke am Radio nach Bedarf auf.

**Hinweis:** Verwenden Sie den Aux-Eingang nicht bei Regen oder unter feuchten Bedingungen, damit keine Feuchtigkeit in das Radio eindringen kann. Halten Sie die Gummiabdeckung unter solchen Bedingungen gut verschlossen.

## Systemrückstellung

Wenn Sie Ihr Radio komplett auf die ursprüngliche Einstellung zurücksetzen möchten, können Sie dies durch die folgende Methode erzielen. Indem Sie eine Zurücksetzung auf die Werkseinstellungen durchführen, werden alle Eingaben gelöscht.

1. Drücken und halten Sie die Menü-Taste gedrückt, um die Einstellungen zu öffnen.
2. Drehen Sie den Frequenzregler, bis im Display die Anzeige „FACTORY“ erscheint. Drücken Sie den Frequenzregler zum Bestätigen.
3. Drehen Sie den Frequenzregler, bis im Display die Anzeige „RESET“ erscheint. Drücken Sie den Frequenzregler zum Bestätigen.
4. Drehen Sie den Frequenzregler, um 'YES' auszuwählen und drücken Sie den Frequenzregler zum Bestätigen. Das System führt eine vollständige Rückstellung durch. Alle Senderspeicher werden dabei gelöscht. Alle Einstellungen werden auf die ursprünglichen Werte zurückgesetzt.

Wenn Sie nicht wünschen, dass eine Systemrückstellung durchgeführt wird, gehen Sie auf „No“ und drücken Sie den Frequenzregler zum Bestätigen.

Im Fall einer Fehlfunktion durch elektrostatische Entladung benutzen Sie das oben beschriebene Verfahren, um den einwandfreien Betrieb wiederherzustellen. Unter bestimmten Umständen kann es notwendig sein, die Stromverbindung zu trennen und dann erneut aufzubauen, um den normalen Betrieb wieder aufzunehmen.

## Software-Version

Diese Software-Version wird nur für Informationszwecke angezeigt. Eine Aktualisierung ist nicht möglich.

1. Drücken und halten Sie die Menü-Taste gedrückt, um die Einstellungen zu öffnen.
2. Drehen Sie den Frequenzregler, bis im Display die Anzeige „FACTORY“ erscheint. Drücken Sie den Frequenzregler zum Bestätigen.
3. Drehen Sie den Frequenzregler, bis im Display die Anzeige 'P X' (z. B. P01) erscheint. Die Software-Version wird dann angezeigt.
4. Drücken Sie die Menü-Taste, um die Anzeige der Software-Version zu verlassen.

## Hintergrundbeleuchtung–Beleuchtungsdauer

Sie können an Ihrem Radio einstellen, wie lange die Hintergrundbeleuchtung eingeschaltet bleibt, wenn Sie Ihr Gerät nicht benutzen.

Diese Funktion kann bei ein- oder ausgeschaltetem Radio eingestellt werden.

1. Drücken und halten Sie die Menü-Taste gedrückt, um die Einstellungen zu öffnen.
2. Drehen Sie den Frequenzregler, bis im Display die Anzeige „LIGHT“ erscheint. Drücken Sie den Frequenzregler.
3. Drehen Sie den Frequenzregler und wählen Sie die gewünschte Beleuchtungsdauer (10 Sekunden/20 Sekunden/30 Sekunden/Hintergrundbeleuchtung bleibt AN). Drücken Sie den Frequenzregler zum Bestätigen.

**Hinweis:** Wenn Sie Hintergrundbeleuchtung AN wählen, bleibt der Hintergrund des Displays beleuchtet, wenn das Radio eingeschaltet ist. Wenn das Radio ausgeschaltet wird, dunkelt die Beleuchtung nach 30 Sekunden ab.

## **GARANTIE**

Dieses Gerät wird mit einer beschränkten Garantie von 2 Jahren geliefert.

**WARNUNG! Der Garantieanspruch erlischt, sobald das Gehäuse des Radios geöffnet wird oder Modifikationen oder Änderungen jedweder Art an dem Radio vorgenommen werden!**

Die Garantie des Radios erstreckt sich nicht auf folgende Punkte:

- Schäden aufgrund falscher Nutzung, Missbrauch, Fahrlässigkeit, Unfällen, Änderungen oder nicht genehmigter Reparaturen.
- Normale(r) Abnutzung und Verschleiß.
- Batterien.

Öffnen Sie niemals das Gehäuse des Geräts. Der Hersteller übernimmt keine Haftung für Schäden, die auf einen unsachgemäßen Umgang zurückzuführen sind. Das Typenschild befindet sich an der Rückseite des Geräts.

## Technische Daten

### Frequenzbereich:

UKW 87,50 – 108 MHz

AM (MW) 520 – 1710 kHz (10 kHz)

522 – 1710 kHz (9 kHz)

### Netzspannung:

AC 230V/50Hz/10W (Europa)

**Batterien:** 4 x C (UM-2) (4000 mAh empfohlen)

### Ausgangsleistung:

2 Watt 10% T.H.D. bei 6V Gleichspannung aus Batterien mit 100 Hz

4,5 Watt 10% T.H.D. bei 230V Wechselspannung mit 100 Hz

*Änderungen der Spezifikationen ohne vorherige Ankündigung vorbehalten.*



*Sollten sich irgendwann das Gerät nicht mehr benutzen, bedenken Sie bei der Entsorgung bitte, dass Altgeräte niemals mit dem normalen Hausmüll entsorgt werden sollten. Bitte recyceln Sie, wenn entsprechende Einrichtungen vorhanden sind. Erkundigen Sie sich bei Ihrer örtlichen Behörde oder Ihrem Händler über die sachgerechte Entsorgung des Geräts.*

*(Waste Electrical and Electronic Directive)*