



**MASSTER**  
**CE**

<p><b>MCS Italy S.p.A.</b> Via Tione 12, -37010- Pastrengo (VR), Italy info@mcsitaly.it</p>	<p><b>MCS Italy S.p.A.</b> Виа Тионе, 12, 37010 Пастренго (Верона), Италия info@mcsitaly.it</p>
<p><b>MCS Central Europe Sp. z o.o.</b> ul. Magazynowa 5A, 62-023 Gądkki, Poland office@mcs-ce.pl</p>	<p><b>MCS Central Europe Sp. z o.o.</b> ул. Магазинова, 5А, 62-023 Гадки, Польша office@mcs-ce.pl</p>
<p><b>MCS Russia LLC</b> ul. Transportnaya - 22 ownership 2, 142802, STUPINO, Moscow region, Russia info@mcsrussia.ru</p>	<p><b>ООО «ЭмСиЭс Россия»</b> Ул. Транспортная, владение 22/2, 142802, г.Ступино, Московская обл., РФ info@mcsrussia.ru</p>
<p><b>MCS China LTD</b> Unit A1, No. 1515, Jinshao Rd., Baoshan Industrial Zone, Shanghai, 200949, China office@mcs-china.cn</p>	<p><b>MCS China LTD</b> строение А1, № 1515, ул. Джиньшао, промышленная зона Баошань, Шанхай, 200949, Китай office@mcs-china.cn</p>


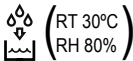







Edition 15

USER AND MAINTENANCE BOOK
LIBRETTO USO E MANUTENZIONE
BEDIENUNGS- UND WARTUNGSANLEITUNG
MANUAL DE INSTRUCCIONES PARA EL USO Y MANTENIMIENTO
MANUEL D'UTILISATION ET DE MAINTENANCE
HANDLEIDING VOOR GEBRUIK EN ONDERHOUD
MANUAL DE USO E MANUTENÇÃO
VEJLEDNING OM BRUG OG VEDLIGEHOLDELSE
KÄYTTÖ- JA HUOLTO-OHJE
HEFTE FOR BRUK OG VEDLIKEHOLD
ANVÄNDAR- OCH UNDERHÅLLSHANDBOK
INSTRUKCJA OBSŁUGI I KONSERWACJI
РУКОВОДСТВО ПО ЭКСПЛУАТАЦИИ И ТЕХНИЧЕСКОМУ ОБСЛУЖИВАНИЮ
PŘÍRUČKA PRO POUŽITÍ A ÚDRŽBU
HASZNÁLATI ÉS KARBANTARTÁSI KÉZIKÖNYV
PRIROČNIK Z NAVODILI ZA UPORABO IN VZDRŽEVANJE
KNJŽICA O UPORABI I ODRŽAVANJU
NAUDOJIMO IR PRIEŽIŪROS KNYGELE
LIETOŠANAS UN TEHNISKĀS APKOPEŠ GRĀMATINA
KASUTUS- JA HOOLDUSJUHEND
LIVRET DE UTILIZARE SI ÎNTREȚINERE
PŘÍRUČKA PRE POUŽITIE A ÚDRŽBU
НАРЪЧНИК ЗА ИЗПОЛЗВАНЕ И ПОДДРЪЖКА
ІНСТРУКЦІЯ З ОБСЛУГОВУВАННЯ
使用和维护手册

en  
it  
de  
es  
fr  
nl  
pt  
da  
fi  
no  
sv  
pl  
ru  
cs  
hu  
sl  
hr  
lt  
lv  
et  
ro  
sk  
bg  
uk  
zh

**DH 716 / DH 720**

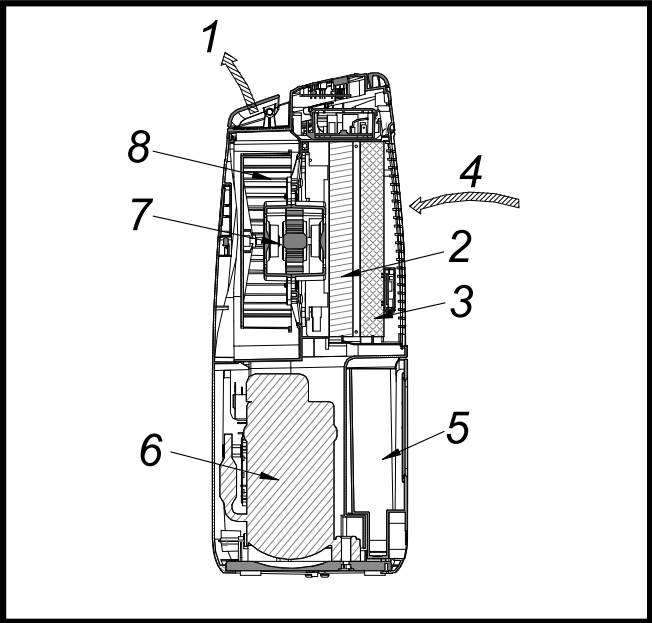
**ТЕХНИЧЕСКИ ДАНИ - TECHNICKÉ ÚDAJE - TECHNISCHE DATEN - TEKNISK DATA -  
TEHNILISED ANDMED - ESPECIFICACIONES TÉCNICAS - TEKNISET TIEDOT -  
DONNÉES TECHNIQUES - TECHNICAL DATA - TEHNIČKI PODACI - MŐSZAKI ADATOK -  
DATI TECNICI - TECHNINIAI DUOMENYS - TEHNISKIE DATI - TECHNISCHE GEGEVENS -  
TEKNISKE DATA - DANE TECHNICZNE - DADOS TÉCNICOS - DADOS TÉCNICOS - INFORMAZIONI  
TEHNICE - ТЕХНИЧЕСКИЕ ДАННЫЕ - TEKNISKA DATA - TEHNIČNI PODATKI -  
TECHNICKÉ PARAMETRE - ТЕХНІЧНІ ДАНІ - 技术参数**

<b>MODEL</b>	<b>DH 716</b>	<b>DH 720</b>
	~220V-240V / 50Hz 260W	~220V-240V / 50Hz 390 W
	16 l/day	20 l/day
	Rotary	Rotary
	R134a	R134a
	5 ~ 32°C	5 ~ 32°C
	35 ~ 95%	35 ~ 95%
	5 L	5 L
	336 x 210 x 547 mm	336 x 210 x 569 mm
	10,4 kg	11 kg

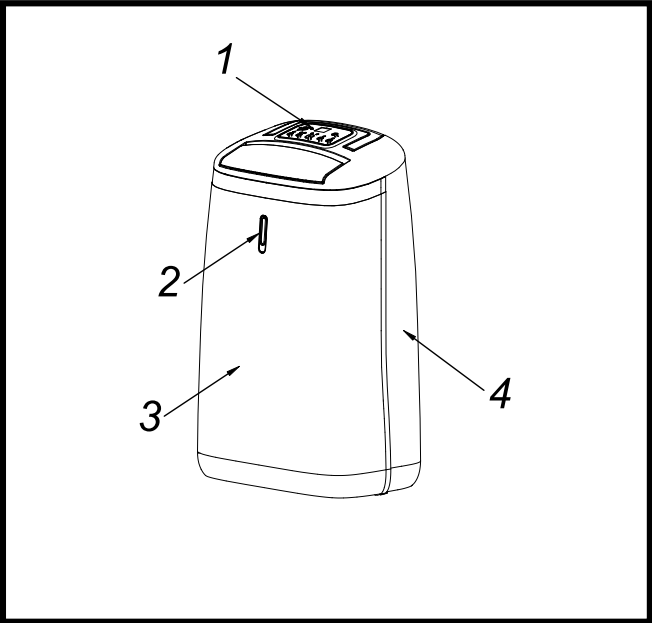
Съоръжението съдържа флуориран парников газ ( хлорофлуоровъглерод), негов коефициент на глобално затопляне (GWP) е равен на = 1300 (CO<sub>2</sub>=1) - Zařizení obsahuje fluorovaný skleníkový plyn, jeho potenciál globálního oteplování je (GWP) = 1300 (CO<sub>2</sub>=1) - Das Gerät enthält fluoriertes Treibhausgas, dessen Treibhauspotential (GWP) beträgt 1300 (CO<sub>2</sub>=1). - Apparatenet indeholder en fluorholdig drivhusgas, dets potentiale for global opvarmning er (GWP) = 1300 (CO<sub>2</sub> = 1) - Seade sisaldab fluoritud kasvuhoo- negaase, selle globaalset soojenemist põhjustav potentsiaal on (GWP) = 1300 (CO<sub>2</sub>=1) - El aparato contiene un gas de invernadero fluorizante cuyo coeficiente de capacidad de calor global es de (COP) = 1300 (CO<sub>2</sub>=1) - Laitte sisältää fluorattua kasvihuonekaasua, jonka globaali lämpenemiskerroin (GWP) on 1300 (CO<sub>2</sub>=1) - L'appareil contient un gaz à effet de serre fluoré, son coefficient de ré- chauffement global est de (GWP) = 1300 (CO<sub>2</sub>=1) - The appliance contains fluorinated greenhouse gas, its global warming potential amounts to (GWP) = 1300 (CO<sub>2</sub>=1) - Uredaj sadrži fluorirani staklenički plin, a njegov koeficijent globalnog zagrijavanja iznosi (GWP) = 1300 (CO<sub>2</sub> = 1) - A berendezés fluorizált üvegházhatású gázt tartalmaz, üvegházhatás együtthatója (GWP) = 1300 (CO<sub>2</sub>=1) - Impianto contiene il gas fluorizzato il cui coefficiente di riscaldamento globale [effetto serra] è (GWP) = (CO<sub>2</sub>=1) - [rengime yra fluoro junginių šiltnamio dujos, kurių globalinio atšilimo potencialas lygus (GWP) = 1300 (CO<sub>2</sub>=1) - Lekārta satur fluorīda siltumnīcas efektu izraisošo gāzi, tā globālas sasilšanas koeficients ir vienāds (GWP) = 1300 (CO<sub>2</sub>=1) - Het apparaat bevat gefluoreerd broeikasgas, waarvan het aardopwarmingsvermogen (GWP) = 1300 (CO<sub>2</sub>=1) bedraagt - Apparatenet inneholder fluorholdig drivhusgass med en GWP verdi på 1300 (CO<sub>2</sub>=1) - Urządzenie zawiera fluorowany gaz cieplarniany, jego współczynnik ocieplenia globalnego wynosi (GWP) = 1300 (CO<sub>2</sub>=1) - O presente aparelho contém os gases de efeito de estufa com flúor, tendo o potencial de aquecimento global (GWP) o valor de 1300 (CO<sub>2</sub>=1) - Aparatul contine gaz fluorat cu efect de sera, cu potential de încălzire globala (GWP) = 1300 (CO<sub>2</sub>=1) - Установка содержит фтористый тепличный газ, его коэффициент глобального потепления составляет (GWP) = 1300 (CO<sub>2</sub>=1) - Avfuktaren innehåller en fluorerad växthusgas, dess globala uppvärmningspotential (GWP) = 1300 (CO<sub>2</sub> = 1) - Naprava vsebuje fluorirani toplo- gredni plin, njegov potencial globalnega segrevanja znaša (GWP) 1300 (CO<sub>2</sub> = 1) - Zariadenie obsahuje fluorovaný skleníkový plyn, jeho potenciál globálneho otepľovania je (GWP) = 1300 (CO<sub>2</sub>=1) - Пристрій містить фторований парниковий газ, його потенціал глобального потепління (GWP) складає 1300 (CO<sub>2</sub>=1)

en  
it  
de  
es  
fr  
nl  
pt  
da  
fi  
no  
sv  
pl  
ru  
cs  
hu  
sl  
hr  
lt  
lv  
et  
ro  
sk  
bg  
uk  
zh

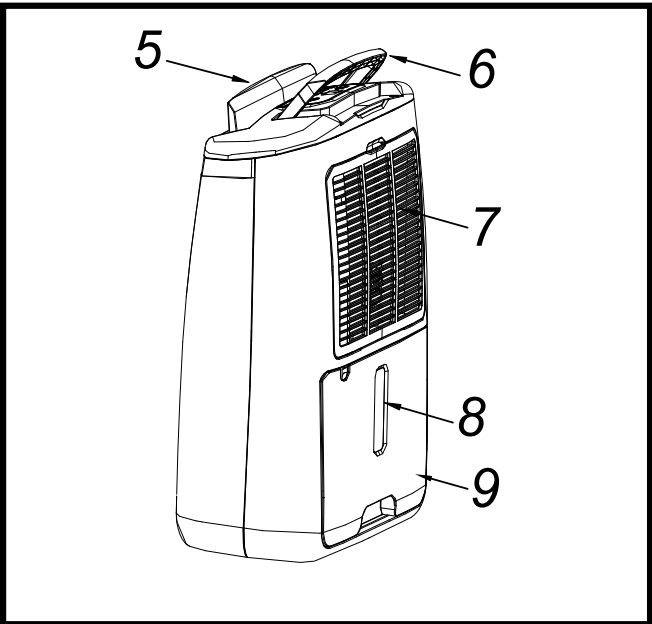
en  
it  
de  
es  
fr  
nl  
pt  
da  
fi  
no  
sv  
pl  
ru  
cs  
hu  
sl  
hr  
lt  
lv  
et  
ro  
sk  
bg  
uk  
zh



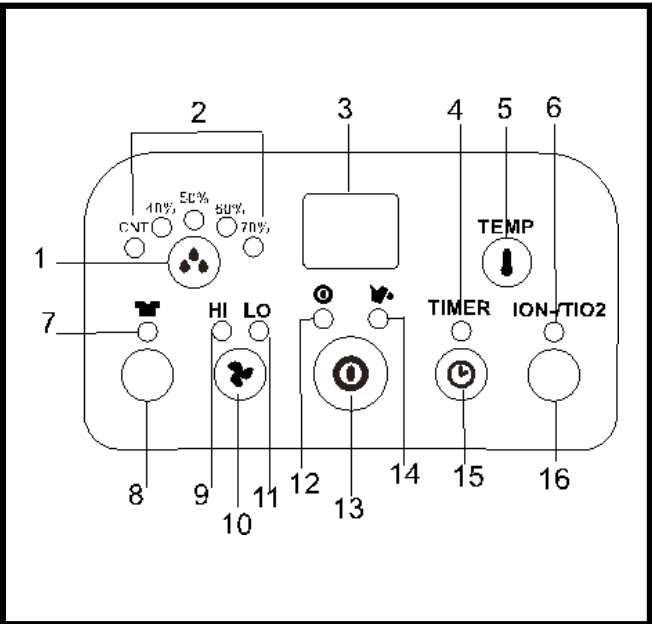
**Fig. 1**



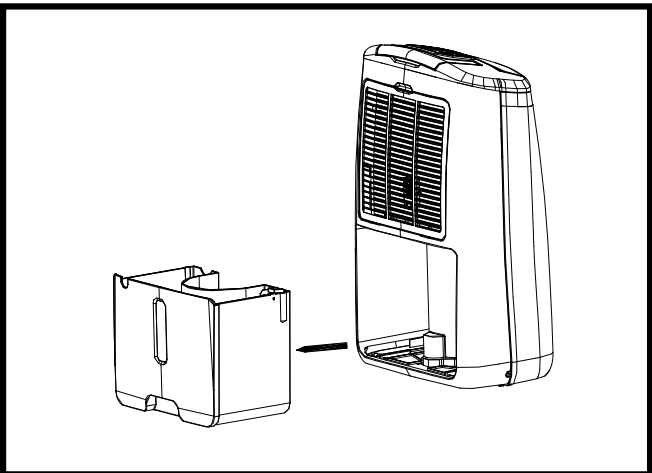
**Fig. 2**



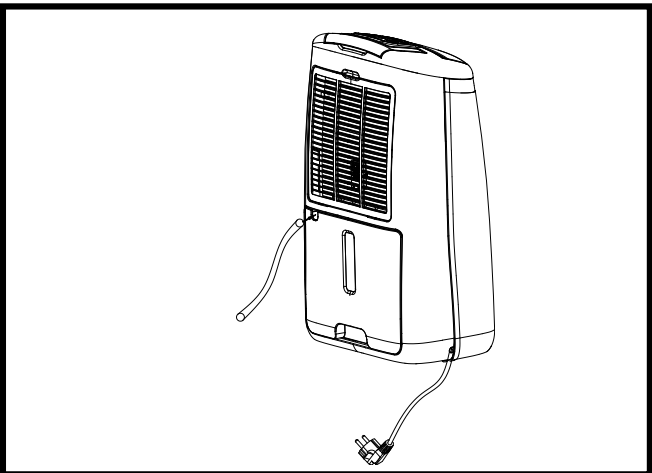
**Fig. 3**



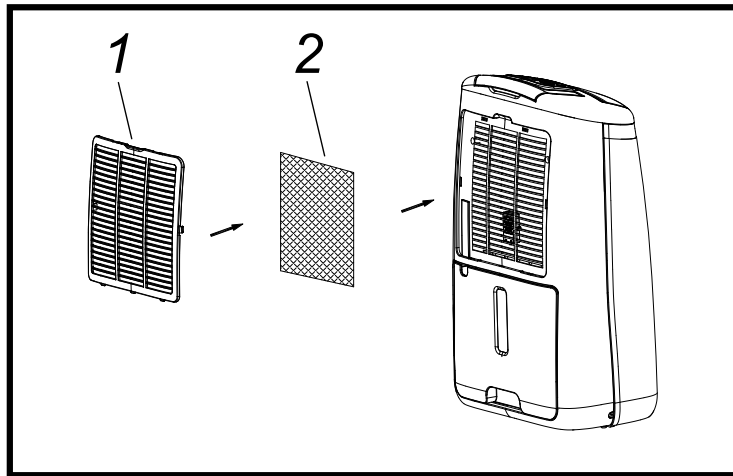
**Fig. 4**



**Fig. 5**



**Fig. 6**



**Fig. 7**

en

it

de

es

fr

nl

pt

da

fi

no

sv

pl

ru

cs

hu

sl

hr

lt

lv

et

ro

sk

bg

uk

zh

<b>1...</b>	<b>HOW IT WORKS</b>
<b>2...</b>	<b>WHERE TO POSITION</b>
<b>3...</b>	<b>BEFORE USE</b>
<b>4...</b>	<b>PARTS</b>
<b>5...</b>	<b>OPERATION</b>
<b>6...</b>	<b>DRAINAGE</b>
<b>7...</b>	<b>MAINTENANCE</b>
<b>8...</b>	<b>TROUBLE SHOOTING</b>

**PLEASE TAKE TIME TO READ THIS MANUAL CAREFULLY BEFORE USE AND SAVE IT FOR FUTURE REFERENCE.**

### ►► 1. HOW IT WORKS

This product is a dehumidifier. It controls relative humidity by passing the air through the unit, forcing the excess moisture to condensate over the cooling elements. Contact with this cold surface causes the moisture in the air to condense. This condensed water then drains safely into the water tank. The dried air then passes through the condenser where it is slightly warmed and re-enters the room at a slightly elevated temperature.

#### ► FIG. 1

1. Dry warmer air
2. Condenser (warmed coil)
3. Evaporator (cold refrigerated coil)
4. Moist saturated air
5. Water tank
6. Compressor
7. Motor
8. Fan rotor

### ►► 2. WHERE TO POSITION

Excess moisture will travel throughout your home, in the same way that cooking smells waft to every room in the house. For this reason, the dehumidifier should be positioned, so that it can draw this moist air towards it from all over the home.

Alternatively, if you have a serious problem in one area you can begin by positioning the dehumidifier close to this area and later moving it to a more central point.

When positioning the dehumidifier, ensure that it is placed on a level surface and that there is a minimum of 10 cm (4") of space on either side of the unit to allow for efficient airflow.

This dehumidifier is fitted with castors for extra mobility, if you move the unit, it should first be switched off and the water tank emptied.

We do not recommend the use of an extension lead, so please try to ensure that the unit is sufficiently close to a fixed mains socket. If it is necessary to use an extension lead, please ensure the diameter of the wires of the cable is at least 1 mm<sup>2</sup>.

When the dehumidifier is in operation, outside doors and windows should be closed when necessary for most efficient use.

### ►► 3. BEFORE USE CAUTION!

- Always keep the unit in vertical position.
- Leave the unit to stand for one hour before connecting to the mains supply after transport or when it has been tilted (e.g. during cleaning).
- Keep all foreign objects away from the air intake or output openings.
- The mains supply must conform to the specification shown on the rating plate at the back of the unit.
- If the supply cord is damaged, it must be replaced by an approved service representative or a similar qualified person in order to avoid a hazard.
- Never use the plug to start and stop the unit. Always use switch on the control panel.
- Before moving the unit, first switch off, then unplug and empty the water tank.
- Don't use bug sprays or other flammable cleaners on the unit.
- Never pour or spray water over the unit.
- THIS APPLIANCE IS NOT INTENDED FOR USE BY PERSONS (INCLUDING CHILDREN) WITH REDUCED PHYSICAL, SENSORY OR MENTAL CAPABILITIES, OR LACK OF EXPERIENCE AND KNOWLEDGE, UNLESS THEY HAVE BEEN GIVEN SUPERVISION OR INSTRUCTION CONCERNING USE OF THE APPLIANCE BY A PERSON RESPONSIBLE FOR THEIR SAFETY. CHILDREN SHOULD BE SUPERVISED TO ENSURE THAT THEY DO NOT PLAY WITH APPLIANCE.

### IMPORTANT!

Do not use this unit at ambient temperatures below 5°C, to prevent the possibility of a heavily ice up evaporating coil.

### ►► 4. PARTS

- Front FIG. 2
  1. Control panel
  2. Ambient light
  3. Front plate
  4. Rear plate
- Rear FIG. 3
  5. Wind flap
  6. Handle
  7. Air inlet / Filters
  8. Water level window
  9. Water tank

### ►► 5. OPERATION

- Control panel FIG. 4
  1. Humidity setting button

2. Working mode indicator (continuous working, humidity 40%, 50%, 60%, 70%)
3. Humidity/Temperature display
4. Timer operation indicator
5. Temperature display button
6. Ionizer or TiO<sub>2</sub> indicator (these are optional function depending on the model you purchased)
7. DRYER indicator
8. DRYER button
9. High ventilation indicator
10. Speed/Ventilation button
11. Low ventilation indicator
12. Power indicator
13. ON/OFF (power) button
14. "Full Water" indicator
15. TIMER button
16. Ionizer or TiO<sub>2</sub> button (these are optional function depending on the model you purchased)

► Ambient light features

- Blue light – room humidity > 70%
- Green light – room humidity 50~70%
- Red light – room humidity < 50%
- Red light flash – water full alarm

Operation

1. Plug the unit into a correct mains socket. (Please refer to the rating label at the rear of the unit for correct voltage/frequency.)
2. Press ON/OFF button to turn on the unit. The compressor will start to work.
3. Press humidity setting button to set the working model you need: continuous working, humidity 40%, 50%, 60% or 70%. The relative indicator will light on.
4. Press speed/ventilation button to set the ventilation speed, high or low. The relative indicator will light on.
5. Press the TIMER button to set the operating hour you need (1~24 hours). The display window will show the hour(s) you set as you press the TIMER button, after releasing it for 8 seconds around, the display window will return to the room humidity. As the set time has been reached, the compressor will stop working automatically.
6. By pressing the "TEMP" button, the display window will show the room temperature, after releasing the button for 8 seconds around, the display window will return to the room humidity.
7. DRYER function is turbo ventilation to dry the moisture in the air continuously, so it could help to dry the laundry.
8. To turn off the unit, press ON/OFF button again.
9. Pre-setting function By pressing TIMER button but without turning on the other functions (including ON/OFF button), you can PRE-SET the time for the machine to work. For example, if you press the timer to '2', the unit will work automatically after 2 hours

►► 6. DRAINAGE

While the water tank is full, the compressor will stop for self-protection and the water full indicator will turn into red. To move the water tank, pull it out squarely from the unit. After emptying the water tank, place the water tank into space. Make sure it is properly positioned, in order for the 'water full' sign to go out and your dehumidifier is operating.

Please note, in case, the water tank has not been positioned well, the water full indicator will turn into red.

►► CONTINUOUS DRAINAGE

When the dehumidifier is operated at very high humidity levels, the water tank will require more frequent drainage. In this situation, it may be more convenient to set the unit up for continuous drainage with the following procedures:

1. Pull out the water tank (FIG. 5).
2. Connect the drain hole with water tube of inner diameter: 11 mm. The water tube is not supplied with the unit (FIG. 6).
3. Ensure the water will always drain away freely and the tube will remain in right place. Note! In very cold weather conditions, precautions should be taken to prevent the water tube from freezing.
4. Put the water tank back to its position.

►► 7. MAINTENANCE

Always unplug the unit from the mains before carrying out any maintenance or cleaning of the unit.

CLEANING THE BODY

Use soft cloth to wipe the unit clean. Don't ever use volatile chemicals, gasoline, detergents, chemically treated clothes, or other cleansing solutions. These all could possibly hurt the cabinet.

CLEANING THE FILTER

This dehumidifier is equipped with 2 filters (FIG. 7):

1. ANTI-DUST FILTER  
Extract the filter holder, remove the active carbon filter. Use a vacuum cleaner or tap the filter lightly for easy cleaning. If the filter is particularly dirty, use warm water with a small amount of a small amount of medium strength detergent. Make sure the filter is completely dry before replacing. Do not expose the filter to sunlight.
2. ACTIVE CARBON FILTER (for capturing the particles of dust suspended in the air and preventing the production of bacteria.)  
The active carbon filter placed under the anti-dust filter is not washable. Its life span is variable and depends on the ambient conditions where the unit is used. The filter should be checked periodically and replaced if necessary.

STORAGE

If not use the unit for an extended period of time. Please: Turing the unit off, unplug and tidy AC cord.

- Completely empty the water tank and wipe it clean.
- Cover the unit and store where it will not receive direct sunlight.

►► 8. TROUBLE SHOOTING

THE UNIT DOES NOT OPERATE:

- Is the unit plugged in?
- Is the house electricity on?
- Is the room temperature below 5°C or above 35°C? If so, then it is out of the working range of the unit.
- Ensure the humidistat (or ON/OFF switch) is turned on.
- Check the water tank is positioned properly in the unit and it is not full.



en ► Make sure the air inlet and outlet are not obstructed.

**THE UNIT SEEMS TO DO NOTHING:**

- Is the filter dusty, contaminated ?
- Is the air intake or outlet blocked up?
- Is the room humidity already quite low?

**THE UNIT SEEMS TO DO LITTLE:**

- Are too many windows or doors open?
- Is there something in the room producing lots of humidity?

**THE UNIT IS TOO NOISY:**

- Check whether the unit is sitting on a level surface.

**THE UNIT IS LEAKING:**

- Make sure the unit is in good shape.
- If you are not using continuous drainage, make sure the rubber plug (at the bottom of the unit) is in its position.

Error codes on display		
Code	Cause	Solution
E1	The room temperature sensor (with resin head) is open or short circuit fault	Checking if the room temperature sensor is plugged in properly on the PCB.
		Replace the room temperature sensor of room temp.
		Replace main PC board.
		The humidity level is below RH40%
E2	The system sensor (with copper head) is open or short circuit fault	Checking if the system sensor is plugged in properly on the PCB.
		Replace the system sensor
		Replace main PC board.





## INDICE

1...	<b>FUNZIONAMENTO</b>
2...	<b>UBICAZIONE</b>
3...	<b>CONSIGLI PRIMA DELL'USO DELL'IMPIANTO</b>
4...	<b>PARTI</b>
5...	<b>SERVIZIO</b>
6...	<b>USCITA DELL'ACQUA</b>
7...	<b>MANUTENZIONE E CONSERVAZIONE</b>
8...	<b>RIVELAZIONE DEI DIFETTI</b>

**PRIMA DI USARE L'IMPIANTO BISOGNA LEGGERE ATTENTAMENTE L'ISTRUZIONE DI USO E CONSERVARLA PER POTER CONSULTARLA IN FUTURO.**

### ►► 1. FUNZIONAMENTO

L'impianto serve alla deumidificazione dell'aria. Controlla l'umidità relativa lasciando passare l'aria per l'impianto, conducendo alla condensazione dell'eccesso di umidità sugli elementi refrigeranti. Il contatto con la superficie fredda provoca la condensazione dell'umidità nell'aria. Poi l'acqua condensata è tras messa al contenitore dell'acqua. Poi, l'aria secca passa per condensatore dove viene un po riscaldata, e poi introdotta di nuovo nel locale, ma la sua temperatura è adesso un po aumentata.

#### ► FIG. 1

1. uscita l'aria secca,
2. condensatore,
3. evaporatore,
4. entrata l'aria umida,
5. contenitore acqua,
6. compressore
7. motore
8. rotore del ventilatore

### ►► 2. UBICAZIONE

l'eccesso di umidità andrà in tutta la casa, nello stesso modo che si diffonde l'odore durante la cottura. per questo, il deumidificatore deve avere il posto giusto per poter raccogliere l'aria umida di tutta la casa.

Eventualmente se in un posto scopriamo il problema possiamo mettere il deumidificatore nella sua vicinanza, e poi spostarlo nel punto centrale.

Posizionando il deumidificatore, bis ognna assicurarsi che si trovi sul posto piatto e che da ogni parte dell'impianto ci sono 10 cm (4") di spazio libero per garantire flusso libero dell'aria.

il deumidificatore è dotato In ruote autoallineantesi per garantir la mobilità migliore. Durante lo spostamento, l'impianto deve esser spento, e il contenitore dell'acqua svuotato.

Non consigliamo di usare la prolunga, quindi bisogna assicurarsi che l'impianto si trovi abbastanza vicino alla presa di corrente. quando l'uso della prolunga è inevitabile, bisogna assicurarsi che il diametro dei fili del cavo è di almeno 1 mm<sup>2</sup>.

Durante la deumidificazione, tutte le finestre e le porte devono essere chiuse, per garantire il massimo rendimento dell'impianto.

### ►► 3. CONSIGLI PRIMA DELL'USO DELL'IMPIANTO

#### ATTENZIONE:

- Impianto deve trovarsi in posizione verticale.
- Dopo il trasporto oppure dopo esser inclinato (a.e. durante la pulizia), l'impianto deve trovarsi per un ora in posizione verticale prima di esser inserito all'alimentazione
- Tenere lontano da tutti i fori di entrata ed uscita dell'aria, ogni corpo estraneo.
- Alimentazione elettrica deve essere conforme alla specificazione dal targhetto dati dell'impianto.
- Se il cavo di alimentazione è rotto, deve esser subito sostituito dal personale autorizzato, per evitare il pericolo.
- Non si deve usare la spina elettrica per accendere o spegnere l'impianto. Bisogna sempre usare il pulsante sul pannello comando.
- Prima di spostare l'impianto si deve spegnerlo, e poi svuotare il contenitore dell'acqua.
- Non usare l'aerosolo insetticida oppure altri detergenti infiammabili.
- E vietato di spruzzare o bagnare l'impianto
- IL PRESENTE DISPOSITIVO NON È DESTINATO ALL'UTILIZZO DA PARTE DELLE PERSONE (COMPRESI BAMBINI), CON CAPACITÀ FISICHE, SENSORIALI O MENTALI LIMITATE, OPPURE DA PERSONE INESPERTE, SENZA UN CORSO DI FORMAZIONE DA PARTE DI UNA PERSONA RESPONSABILE DELLA LORO SICUREZZA. SI PREGA DI FARE ATTENZIONE A NON FARE GIOCARE I BAMBINI CON IL DISPOSITIVO.

#### AVVERTENZE !

Non usare l'impianto nella temperatura ambientale inferiore a 5°C, per evitare il gelo dell'evaporatore.

### ►► 4. PARTI

#### ► Fronte FIG. 2

1. Quadro dei comandi
2. Illuminazione
3. Piastra anteriore
4. Piastra posteriore

#### ► Didietro FIG. 3

5. Aletta di ventilazione
6. Mandrino
7. entrata d'aria / filtri
8. Finestra livello acqua
9. Contenitore dell'acqua

## ►► 5. SERVIZIO

► Pannello di comando FIG. 4

1. Pulsante di impostazione dell'umidità
2. Indicatore della modalità di lavoro (continuo, umidità del 40%, 50%, 60%, 70%)
3. Visualizzatore della temperatura/umidità
4. Indicatore dell'orologio
5. Pulsante della visualizzazione della temperatura
6. Indicatore dello ionizzatore e TiO 2 (funzioni opzionali a seconda del modello acquistato)
7. Indicatore DEUMIDIFICATORE
8. Pulsante DEUMIDIFICATORE
9. Indicatore della ventilazione ad alta velocità
10. Pulsante di velocità/ventilazione
11. Indicatore della ventilazione a bassa velocità
12. Indicatore dell'alimentazione
13. Pulsante ON/OFF (alimentazione)
14. Indicatore del "Riempimento dell'acqua"
15. Pulsante dell'OROLOGIO
16. Pulsante dello ionizzatore e TiO 2 (funzioni opzionali a seconda del modello acquistato)

► Funzione dell'illuminazione (FIG. 6)

Luce blu – umidità del locale > 70%

Luce verde - umidità del locale 50~70%

Luce rossa - umidità del locale < 50%

Luca rossa lampeggiante – allarme del riempimento dell'acqua

► Servizio

1. Collegare il dispositivo all'apposita presa elettrica (Controllare il valore della tensione/frequenza sulla targhetta dati del dispositivo).
2. Premere il pulsante ON/OFF per avviare il dispositivo. Il compressore viene attivato.
3. Premere il pulsante dell'impostazione dell'umidità per selezionare la modalità di lavoro: fisso, livello d'umidità del 40%, 50%, 60% o del 70%. Si accende un indicatore relativo per un dato valore
4. Premere il pulsante della velocità/ventilazione per impostare la ventilazione ad alta o bassa velocità. Si accende un indicatore relativo per un dato valore
5. Premere il pulsante OROLOGIO, per impostare il tempo di lavoro desiderato (1~24 ore). Dopo aver premuto il pulsante OROLOGIO, il visualizzatore indicherà il tempo attualmente impostato, liberando il pulsante dopo 8 secondi il visualizzatore ritorna ad indicare l'umidità del locale. Dopo che è passato il tempo impostato, il compressore si disattiva automaticamente.
6. Premendo il pulsante „TEMP” viene visualizzata la temperatura attuale del locale, liberandolo, dopo 8 secondi, il visualizzatore ritorna ad indicare l'umidità del locale.
7. La funzione del DEUMIDIFICATORE attiva la modalità turbo del sistema di ventilazione attivando una continua deumidificazione dell'aria, la funzione permette di asciugare la biancheria lavata.
8. Per disattivare il dispositivo, premere il pulsante ON/OFF.
9. Con la funzione di preattivazione (PRE-SET), tramite il pulsante OROLOGIO è possibile programmare l'orario dell'avvio della macchina senza attivare altre funzioni del dispositivo (compreso il pulsante ON/OFF)/ Per esempio, impostando l'orologio sul '2', il dispositivo si attiverà dopo 2 ore.

## ►► 6. USCITA DELL'ACQUA

Con il serbatoio pieno, il compressore - per motivi di sicurezza - viene disattivato automaticamente e l'indicatore di riempimento dell'acqua si illumina in rosso.

Per rimuovere il serbatoio dell'acqua, estrarlo perpendicolarmente dalla macchina.

Una volta svuotato il serbatoio, rimetterlo al suo posto. Dopo il riposizionamento del serbatoio, la spia del riempimento dell'acqua si spegne e il deumidificatore si avvia. Nel caso in cui il serbatoio venga inserito male, l'indicatore del riempimento rimane illuminato in rosso.

## ►► SCOLLO CONTINUO

Utilizzando il deumidificatore in condizioni di elevata umidità dell'aria, il serbatoio dell'acqua richiederà uno svuotamento più frequente. In tale situazione, più conveniente è impostare l'opzione dello svuotamento continuo del serbatoio, a tale scopo eseguire le seguenti operazioni:

1. Rimuovere il serbatoio dell'acqua (FIG. 4)
2. Collegare il conduttore d'acqua all'uscita del diametro: 11 mm (il condotto non è fornito con il dispositivo) (FIG. 5)
3. Assicurarsi, che il condotto sia fissato bene e l'acqua scorra senza intoppi. Attenzione! Alle temperature molto basse, proteggere il condotto dal congelamento.
4. Posizionare il serbatoio al suo posto (FIG. 6).

## ►► 7. MANUTENZIONE E CONSERVAZIONE

Prima di cominciare la manutenzione o la pulizia bisogna scollegare l'impianto dalla rete elettrica.

### PULIZIA DELLA CARCASSA

Per pulire l'impianto bisogna usare il tessuto morbido.

Vietato di usare delle sostanze chimiche volatili, detersivi, benzina, vestiti trattati chimicamente, pure altre soluzioni di pulizia. Ogni sostanza sopra citata può danneggiare la carcassa dell'impianto.

### PULIZIA DEL FILTRO

Questo modello di deumidificatore è dotato di 2 tipi di filtri (FIG. 7):

#### 1. FILTRO ANTIPOLVERE

-staccare il fissaggio del filtro, rimuovere il filtro a carboni attivi.

- Pulire il filtro delicatamente tramite l'aspirapolvere o sciacquandolo al rubinetto. -Se il filtro è molto sporco, usare acqua calda e una piccola quantità di detersivo delicato.

- prima del suo utilizzo, assicurarsi che il filtro sia completamente asciutto

- non esporre il filtro alla luce solare diretta.

#### 2. FILTRO A CARBONI ATTIVI (per legare le particelle di polvere sospese nell'aria e per ridurre la proliferazione di batteri).

Il filtro a carboni attivi si trova dietro il filtro antipolvere e contrariamente a quest'ultimo, non è lavabile. La durata del filtro a carboni attivi dipende dalle condizioni dell'ambiente dove viene utilizzato il dispositivo. Il filtro deve essere controllato periodicamente e sostituito, se necessario.

### CONSERVAZIONE:

Se l'impianto non è usato per lungo tempo bisogna spegnerlo. Filo di alimentazione deve esser scollegato e pulito:

► Svuotare completamente il contenitore acqua ed asciugarlo con cura.

- ▶ Coprire l'impianto per proteggerlo contro i raggi del sole.

it

## ▶▶ 8. RIVELAZIONE DEI DIFETTI

### IMPIANTO NON FUNZIONA:

- ▶ Impianto non collegato alla rete elettrica?
  - ▶ Rete elettrica a casa è accesa?
  - ▶ Temperatura ambientale è di 5°C oppure più di 35°C?
- Rispondendo sì alle domande, sappiamo che la temperatura è fuori il regime di lavoro dell'impianto.
- ▶ Bisogna assicurarsi se umidostato (oppure commutatore ON/OFF) sia acceso.
  - ▶ Controllare se il contenitore acqua sia posizionato correttamente nell'impianto e se non sia pieno.
  - ▶ Assicurarsi che l'entrata e l'uscita dell'aria non siano bloccate.

### IMPIANTO SEMBRA NON LAVORARE:

- ▶ Filtro è sporco ?
- ▶ Entrata ed uscita sono bloccate?
- ▶ Umidità nel locale non è troppo bassa?

### LAVORO DELL'IMPIANTO SEMBRA ESSER INEFFICIENTE:

- ▶ Troppe porte e finestre aperte?
- ▶ Nel locale funziona l'impianto che genera troppa umidità?

### IMPIANTO E TROPPO RUMOROSO:

- ▶ Controllare se l'impianto sia stabile sulla superficie piana.

### IMPIANTO PERDE:

- ▶ Assicurarsi che stato tecnico dell'impianto sia buono
- ▶ Se lo scollo continuo dell'acqua non è usato, bisogna assicurarsi che il tappo di gomma (parte inferiore dell'impianto) sia ben posizionato.

#### Codici di errore sul display

Codice	Causa	Soluzione
E1	Il sensore di temperatura dell'ambiente (con un riparo di resina) è aperto o funziona male per cortocircuito	Controllare che il sensore di temperatura dell'ambiente sia correttamente collegato alla piastra PCB
		Sostituire il sensore di temperatura dell'ambiente.
		Sostituire la piastra PCB principale.
		Il livello di umidità dell'aria è inferiore al 40% di umidità relativa.
E2	Il sensore del sistema di refrigerazione (con riparo di rame) è aperto o funziona male per cortocircuito	Controllare che il sensore sia correttamente collegato alla piastra PCB
		Sostituire il sensore
		Sostituire la piastra PCB principale.



## BEDIENUNGSANLEITUNG

1...	<b>FUNKTIONSWEISE</b>
2...	<b>PLATZIERUNG</b>
3...	<b>EMPFEHLUNGEN VOR DEM ERSTBETRIEB</b>
4...	<b>TEILE</b>
5...	<b>BEDIENUNG</b>
6...	<b>WASSERABLEITUNG</b>
7...	<b>WARTUNG UND INSTANDHALTUNG</b>
8...	<b>MÄNGELERKENNUNG</b>

**VOR DER ANWENDUNG DIESES GERÄTES SOLL MAN SICH AUSFÜHRICH MIT DER ANLEITUNG BEFASSEN UND SIE DANN AUFBEWAHREN UM SPÄTER NUTZEN ZU KÖNNEN.**

### ►► 1. FUNKTIONSWEISE

Das vorliegende Produkt dient zum Trocknen von Luft. Es überwacht die relative Feuchtigkeit indem es die Luft durch das Gerät verarbeitet und zur Kondensierung des Übermaßes an Feuchtigkeit an den Kälteteilen führt. Die Berührung mit kalter Oberfläche bewirkt, dass sich die Feuchtigkeit in der Luft verflüssigt. Danach wird das Kondenswasser sicher in den Wasserbehälter abgeleitet. Die getrocknete Luft geht durch den Kondensator, in dem sie leicht erwärmt wird und dann wieder in den Raum eingespeist wird, wobei ihre Temperatur ist gering erhöht.

#### ► FIG. 1

1. TROCKNE WÄRMERE LUFT,
2. KONDENSATOR,
3. VERDAMPFER – kalte Rohren,
4. MIT FEUCHTIGKEIT GESÄTTIGTE LUFT,
5. WASSERBE-HÄLTER,
6. KOMPRESSOR,
7. MOTOR
8. VENTILATORROTOR

### ►► 2. PLATZIERUNG

Das Übermaß an Feuchtigkeit wird sich im ganzen Haus verteilen auf die selbe Art und Weise wie sich Gerüche während des Kochens im ganzen Raum ausbreiten. Deswegen sollte die Trocknungsanlage so platziert werden, dass er feuchte Luft aus dem ganzen Haus aufnehmen kann.

Es besteht auch die Möglichkeit, dass, wenn an einer Stelle im Haus es zu einem ernsthaften Problem kommt, man die Trocknungsanlage in der Nähe dieser Stelle stellt und danach sie in einen mehr zentralen Punkt verschiebt.

Während die Trocknungsanlage aufgestellt wird, soll man sich vergewissern, dass sie sich auf ebener Fläche befindet und, ob an jeder Seite 10 cm (4") Freiraum vorhanden sind, um einen leistungsfähigen Luftfluss zu ermöglichen. Diese Trocknungsanlage ist mit Rädern ausgestattet, um ihm bessere Bewegungsfreiheit zu garantieren. Wenn das Gerät verschoben werden soll, muss man es vorher ausschalten und den Wasserbehälter entleeren.

Es wird nicht empfohlen einen Verlängerungskabel zu benutzen, im Zusammenhang damit soll man sich vergewissern, ob das Gerät sich ausreichend Nah an einer Steckdose befindet. Wenn die Verwendung eines Verlängerungskabels notwendig sein wird, muss man sich vergewissern, ob der Kabeldurchmesser mindestens 1 mm<sup>2</sup>

beträgt.

Während das Gerät arbeitet, sollten bei Notwendigkeit die Außentüren und Fenster geschlossen bleiben, und die maximale Leistungsfähigkeit des Gerätes zu sichern.

### ►► 3. EMPFEHLUNGEN VOR DEM ERSTBETRIEB

#### ACHTUNG!

► Das Gerät muss immer in vertikaler Stellung aufgestellt sein.

► Das Gerät muss sich vor dem Anschließen ans Versorgungsnetz eine Stunde lang in vertikaler Stellung befinden, nachdem es transportiert oder geneigt (z.B. bei der Reinigung) wurde.

► Alle Fremdkörper solle weit von den Ein- und Ausgangsöffnungen aufbewahrt werden.

► Die Stromversorgung muss mit der Nenntafel übereinstimmen, die sich auf der Rückseite des Gerätes befindet.

► Wenn der Versorgungskabel beschädigt ist, muss er vom autorisierten Fachhändler unserer Serviceabteilung oder einer Person, die über entsprechende Befugnisse verfügt, ausgetauscht werden, damit es zu keine Gefahr kommt.

► Zum Ein- und Ausschalten darf man in keinem Fall den Stecker benutzen. Man muss immer den Schalter auf dem Bedienungsfeld benutzen.

► Bevor das Gerät verstellt oder verschoben wird, muss man es erst ausschalten und den Wasserbehälter entleeren.

► Man darf keine Sprühsubstanzen gegen Insekten oder andere leichtbrennbare Reinigungsmittel verwenden.

► In keinem Fall darf man das Gerät mit Wasser besprühen oder begießen.

► DAS GERÄT SOLL NICHT DURCH PERSONEN (EINSCHLISSLICH DER KINDER) MIT BEGRENZTEN KÖRPERLICHEN, SENSORISCHEN ODER MENTALEN FÄHIGKEITEN ODER DURCH PERSONEN, DIE KEINE ERFAHRUNG BESITZEN UND NICHT DURCH EINE FÜR IHRE SICHERHEIT VERANTWORTLICHE PERSON GESCHULT WURDEN, BEDIENT WERDEN. ES IST SICHERZUSTELLEN, DASS KINDER MIT DEM GERÄT NICHT SPIELEN.

#### WICHTIG!

Das Gerät darf man nicht einsetzen, wenn die Raumtemperatur unter 5°C fällt, damit es nicht zum Vereisen des Verdampferschlauches kommt.

## ►► 4. TEILE

### ► Vorderseite FIG. 2

1. Bedienfeld
2. Hintergrundbeleuchtung
3. Vorderplatte
4. Hinterplatte

### ► Rückseite FIG. 3

5. Lüftungsklappe
6. Griff
7. Lufteinlassöffnung / Filter
8. Regulierungsfenster des Wasserniveaus
9. Wasserbehälter

## ►► 5. BEDIENUNG

### ► Bedienungsfeld FIG. 4

1. Feuchtigkeitstaste
2. Betriebsanzeiger (Dauerbetrieb, Feuchtigkeit 40%, 50%, 60%, 70%)
3. Temperatur-/Feuchtigkeitsanzeige
4. Schaltuhranzeige
5. Taste für Temperaturanzeige
6. Anzeige für Ionisierer und TiO<sub>2</sub> (optionale Funktionen abhängig vom Modell)
7. Anzeige LUFTENTFEUCHTER
8. Taste LUFTENTFEUCHTER
9. Anzeige Gebläsegeschwindigkeit hoch
10. Taste Geschwindigkeit/Lüftung
11. Anzeige Gebläsegeschwindigkeit niedrig
12. Versorgungsanzeige
13. Ein/Aus-Taste (Energieversorgung)
14. Wasserstandanzeige
15. Taste SCHALTUHR
16. Taste für Ionisierer und TiO<sub>2</sub> (optionale Funktionen abhängig vom Modell)

### ► Funktion Hintergrundbeleuchtung:

- Blaues Licht - Raumfeuchtigkeit > 70%
- Grünes Licht - Raumfeuchtigkeit 50~70%
- Rotes Licht - Raumfeuchtigkeit < 50%
- Blinkendes rotes Licht – Überfüllungsalarm

### Bedienung

1. Schließen Sie das Gerät an die geeignete Steckdose an. (Bitte überprüfen Sie die Spannung / Frequenz auf dem Typenschild).
2. Drücken Sie die Ein/Aus-Taste, um das Gerät einzuschalten. Der Kompressor wird gestartet.
3. Drücken Sie die Feuchtigkeitstaste und wählen Sie den gewählten Betriebsmodus aus: Dauerbetrieb, Feuchtigkeit 40%, 50%, 60% oder 70%. Die entsprechende Anzeige leuchtet für den bestimmten Wert auf.
4. Drücken Sie die Taste Geschwindigkeit/Lüftung, um die Geschwindigkeit auf hoch oder niedrig einzustellen. Die entsprechende Anzeige leuchtet für den bestimmten Wert auf.
5. Drücken Sie die SCHALTUHR-Taste, um die gewünschte Arbeitszeit (1 bis 24 Stunden) einzustellen. Nach dem Drücken der SCHALTUHR-Taste zeigt die Anzeige die gewählte Arbeitszeit an. 8 Sekunden nach dem Loslassen der Taste wird an der Anzeige wieder die Raumfeuchtigkeit angezeigt. Nach Ablauf der eingestellten Arbeitszeit schaltet der Kompressor automatisch ab.

6. Die Taste „TEMP“ zeigt die aktuelle Raumtemperatur an. 8 Sekunden nach dem Loslassen der Taste wird an der Anzeige wieder die Raumfeuchtigkeit angezeigt.

7. Mit der Funktion LUFTENTFEUCHTER wird der Turbobetrieb des Lüftungssystems und zugleich dauerhafte Luftentfeuchtung eingeschaltet, die zum Trocknen der Wäsche besonders gut geeignet ist.

8. Um das Gerät auszuschalten, drücken Sie die Ein/Aus-Taste.

9. Die Voreinstellfunktion (PRE-SET) - mit Hilfe der SCHALTUHR-Taste und ohne Nutzung weiterer Funktionen (einschließlich Ein/Aus-Taste) kann die Einschaltzeit programmiert werden. Zum Beispiel wenn die Schaltuhr auf '2' gesetzt wird, schaltet sich das Gerät automatisch in 2 Stunden ein.

## ►► 6. WASSERABLEITUNG

Wenn der Wassertank überfüllt ist, wird der Kompressor aus Sicherheitsgründen automatisch ausgeschaltet und die Wassertankanzeige leuchtet rot auf.

Um den Wassertank zu entfernen, ziehen Sie ihn senkrecht aus dem Gerät heraus.

Nach dem Entleeren des Wassertanks stellen Sie ihn wieder zurück. Vergewissern Sie sich, dass er richtig positioniert ist, wenn ja, dann geht die Wasserstandanzeige aus und der Luftentfeuchter wird wieder eingeschaltet.

Wenn der Wassertank inkorrekt eingesetzt wird, wird die Wasserstandanzeige weiterhin rot leuchten.

## STÄNDIGE ABLEITUNG

► Wenn der Luftentfeuchter in einer Umgebung mit hoher Feuchtigkeit verwendet wird, muss der Wassertank häufiger entleert werden. So ist es bequemer, die kontinuierliche Wassertankentleerung einzustellen. Hierfür muss man Folgendes tun:

- 1. Wassertank entfernen (FIG. 5).
- 2. Wasserschlauch an die Austrittsöffnung mit folgendem Durchmesser anschließen: 11 mm (Schlauch ist nicht im Lieferumfang enthalten) (FIG. 6).
- 3. Vergewissern Sie sich, dass der Schlauch richtig angeschlossen ist und das Wasser problemlos abfließt. Wichtig! Bei sehr niedrigen Temperaturen muss der Schlauch vor dem Einfrieren geschützt werden.
- 4. Stellen Sie den Wassertank wieder zurück.

## ►► 7. WARTUNG UND INSTANDHALTUNG

Bevor Wartungs- oder Reinigungsarbeiten am Gerät vorgenommen werden, soll man es immer von der Stromversorgung trennen.

## GEHÄUSEREINIGUNG

Um das Gerät zu reinigen, soll man einen weichen Lappen verwenden.

In keinem Fall darf man chemische Sprühsubstanzen, Detergentien, Benzin, Kleidung, die chemisch verarbeitet wurde, oder andere Reinigungslösungen verwenden. Jede dieser Substanzen kann das Gehäuse beschädigen.

## FILTERREINIGUNG

Der Luftentfeuchter verfügt über zwei Filterarten (FIG. 7):

### 1. STAUBFILTER

- Nehmen Sie die Filterbefestigung ab, entfernen Sie den Aktivkohlefilter.

- Reinigen Sie den Filter sanft mit Hilfe eines Staubsaugers



oder unter fließendem Wasser. Wenn der Filter sehr verschmutzt ist, verwenden Sie lauwarmes Wasser und eine kleine Menge eines milden Reinigungsmittels.

- Vergewissern Sie sich, dass der Filter vor Wiederverwendung völlig trocken ist.

**de** - Schützen Sie den Filter vor direkter Sonneneinstrahlung.  
2. **AKTIVKOHLEFILTER** (bindet Staubpartikel aus der Luft und verhindert Vermehrung der Bakterien).

Der Aktivkohlefilter befindet sich hinter dem Staubfilter, und im Gegensatz zu ihm, ist er nicht abwaschbar. Die Haltbarkeit des Aktivkohlefilters hängt von den Umgebungsbedingungen ab. Der Filter sollte regelmäßig überprüft und gegebenenfalls ausgetauscht werden.

### **AUFBEWAHRUNG**

Wenn das Gerät eine länger Zeitlang nicht benutzt wird, soll man es ausschalten. Den Stromversorgungskabel soll man abschalten und reinigen:

- ▶ Man soll vollständig den Wasserbehälter entleeren und ihn abwischen.
- ▶ Das Gerät soll man abdecken und an einem Ort aufbewahren, wo es keinen Sonnenstrahlen ausgesetzt wird.

### **▶ ▶ 8. MÄNGELERKENNUNG**

#### **DAS GERÄT FUNKTIONIERT NICHT:**

- ▶ Ist das Gerät an das Stromnetz angeschlossen?
  - ▶ Ist die Elektrizität im Haus eingeschaltet?
  - ▶ Beträgt die Raumtemperatur 5°C oder mehr als 35°C?
- Wenn ja, dann liegt sie außerhalb des Arbeitsbereichs des Gerätes.

- ▶ Man soll sich vergewissern, ob das Humidostat (oder die ON/OFF-Taste) eingeschaltet ist.
- ▶ Man soll überprüfen, ob der Wasserbehälter ordnungsgemäß im Gerät eingebaut ist und ob er nicht voll ist.
- ▶ Man soll sich vergewissern, ob die Luftein- und Luftauslassöffnungen nicht gesperrt sind.

#### **ES SCHEINT, DASS DAS GERÄT NICHT ARBEITET:**

- ▶ Ist der Filter verunreinigt oder verstaubt?
- ▶ Ist die Lufteinlass- oder Luftauslassöffnung blockiert?
- ▶ Ist die Umgebungsluftfeuchtigkeit nicht schon zu niedrig?

#### **ES SIEHT SO AUS ALSOB DAS GERÄT UNPRODUKTIV ARBEITEN WÜRD:**

- ▶ Sind zu viele Fenster oder Türen geöffnet?
- ▶ Befindet sich im Raum irgendetwas, was hohe Feuchtigkeit verursacht?

#### **DAS GERÄT IST ZU LAUT:**

- ▶ Man muss überprüfen ob das Gerät auf gerader Fläche steht.

#### **DAS GERÄT HAT EINEN LECK:**

- ▶ Man soll sich vergewissern, ob das Gerät im guten technischen Zustand ist.
- ▶ Wenn der Modus der ständigen Wasserableitung nicht genutzt wird, soll man sich vergewissern ob die Gummiblende (unten am Gerät) in ihrem Platz ist.

### **Fehlercode-Anzeigen auf dem Bildschirm**

Code	Verursacher	Lösung
E1	Der Temperatursensor (mit Harzummantelung) ist offen oder aufgrund des Kurzschlusses nicht funktionsfähig.	Überprüfen, ob der Temperatursensor an die Leiterplatte richtig angeschlossen ist.
		Den Temperatursensor austauschen.
		Die Hauptleiterplatte austauschen.
E2	Der Kühlsensor (mit Kupferummantelung) ist offen oder aufgrund des Kurzschlusses nicht funktionsfähig.	Die Luftfeuchtigkeit liegt unter 40 % der relativen Feuchte.
		Überprüfen, ob der Sensor an die Leiterplatte richtig angeschlossen ist.
		Den Sensor austauschen.
		Die Hauptleiterplatte austauschen.





## INDICE

1...	<b>FUNCIONAMIENTO</b>
2...	<b>UBICACIÓN</b>
3...	<b>RECOMENDACIONES ANTES DE LA UTILIZACIÓN</b>
4...	<b>COMPONENTES</b>
5...	<b>COMO MANEJARLO</b>
6...	<b>ELIMINACIÓN DEL AGUA ALMACENADA</b>
7...	<b>LIMPIEZA Y MANTENIMIENTO</b>
8...	<b>DIAGNOSTICAR LOS PROBLEMAS</b>

**ANTES DE UTILIZAR ESTE APARATO HAY QUE LEER DETENIDAMENTE EL MANUAL DE INSTRUCCIONES Y GUARDARLA PARA SUS FUTURAS CONSULTAS.**

### ►► 1. FUNCIONAMIENTO

Este producto está destinado a deshumidificar el aire. Controla la humedad relativa al pasar el aire por el aparato, provoca la condensación del exceso de la humedad en los elementos refrigeradores. El contacto con una superficie fría provoca la condensación de la humedad en el aire. Seguidamente el agua condensada se conduce de forma segura hacia el depósito de agua. El aire deshumidificado pasa por el condensador donde se calienta ligeramente y seguidamente queda expulsado y la temperatura del ambiente sube ligeramente.

#### ► FIG. 1

1. salida del aire seco,
2. condensador,
3. evaporador, 4. entrada del aire húmedo,
5. depósito de agua,
6. compresor
7. motor
8. rotor del ventilador

### ►► 2. UBICACIÓN

El exceso de humedad va a extenderse por toda la casa del mismo modo que lo hace el olor cuando estamos cocinando. Por este motivo el deshumidificador debería ser ubicado de manera que pueda absorber el aire húmedo de toda la casa. Como excepción, si en un lugar determinado aparece un problema grave, podemos acercarnos al deshumidificador al dicho lugar y más tarde desplazarlo a un punto más central de la casa.

Cuando estemos ubicando el deshumidificador tenemos que asegurarnos de que este se encuentra en una superficie plana y tenga alrededor un espacio de 10 cm (4") libres para facilitar un flujo eficaz de aire. Este deshumidificador tiene unas ruedas auto ajustables que le dan una mejor movilidad. Antes de desplazar el aparato hay que apagarlo y vaciar el depósito de agua.

No se aconseja el uso de un alargador. Por eso hay que asegurarse de que el aparato se encuentra suficientemente cerca de un enchufe. En el caso de que el uso del un alargador fuera necesario hay que asegurarse de que el diámetro de los cables es de 1 mm<sup>2</sup> como mínimo. A medida de lo posible, mientras el deshumidificador esté funcionando es aconsejable mantener las puertas y las ventanas cerradas para asegurar de esta manera la mayor

eficacia del aparato.

### ►► 3. RECOMENDACIONES ANTES DE LA UTILIZACIÓN

#### ¡ATENCIÓN!

- El aparato tiene que estar en la posición vertical.
- Después de haber transportado el aparato o haberlo dejado inclinado (p.ej. durante su limpieza) hay que dejarlo en la posición vertical durante una hora antes de enchufarlo a la corriente eléctrica.
- No introduzca los dedos u objetos en la entrada y salida del aire.
- La fuente alimentadora tiene que coincidir con la especificación indicada en la placa nominal de la parte trasera del aparato.
- Si el cable o la clavija están dañados hay que sustituirlos por una persona autorizada del servicio técnico (una persona debidamente cualificada) para evitar situaciones de riesgo.
- Para encender y apagar el aparato no se debe utilizar la clavija. Siempre hay que utilizar el interruptor del panel de control.
- Antes de desplazar el aparato hay que apagarlo y vaciar el depósito de agua.
- No utilice insecticidas ni otros detergentes limpiadores inflamables.
- Bajo ningún concepto eche agua encima del aparato.
- EL PRESENTE APARATO NO DEBE SER MANEJADO POR PERSONAS (LOS NIÑOS INCLUIDOS) CON LIMITACIONES FÍSICAS, SENSORIALES O MENTALES, O PERSONAS SIN EXPERIENCIA, QUE NO HAYAN SIDO INSTRUIDAS POR LOS RESPONSABLES DE SU SEGURIDAD.

#### ¡IMPORTANTE!

No se debe utilizar el aparato en la temperatura del ambiente más baja que 5°C, para evitar el del evaporador se cubra de escarcha.

### ►► 4. COMPONENTES

- Frente FIG. 2
  1. Panel de control
  2. Iluminación
  3. Panel delantero
  4. Panel trasero
- Atrás FIG. 3
  5. Puerta de ventilación
  6. Asa

7. Entrada de aire / Filtros
8. Ventana de nivel de agua
9. Depósito de agua

## ►► 5. COMO MANEJARLO

### ► Panel de control FIG. 4

1. Botón de ajuste de la humedad
2. Indicador del modo de trabajo (continuo, humedad 40%, 50%, 60%, 70%)
3. Visualizador de temperatura/humedad
4. Indicador de funcionamiento del reloj
5. Botón para visualizar la temperatura
6. Indicador del ionizador y TiO 2 (disponibles en función del modelo adquirido)
7. Indicador DESHUMIDIFICADOR
8. Botón DESHUMIDIFICADOR
9. Indicador de alta velocidad de ventilación
10. Botón velocidad/ventilación
11. Indicador de baja velocidad de ventilación
12. Indicador de alimentación
13. Pulsador ON/OFF (alimentación)
14. Indicador del „Depósito lleno”
15. Botón RELOJ
16. Pulsador del ionizador y TiO 2 (disponibles en función del modelo adquirido)

### ► Función de la iluminación:

Luz azul - humedad en la habitación > 70%

Luz verde - humedad en la habitación 50~70%

Luz roja - humedad en la habitación < 50%

Luz roja parpadeante - alarma de depósito lleno

### ► Para utilizar el deshumidificador

1. Conecta el aparato al enchufe adecuado. (Se ruega verificar el valor de tensión/frecuencia en la placa nominal del aparato).
2. Pulsa el botón ON/OFF para encender el aparato. El compresor empezará a funcionar.
3. Pulsa el botón de ajuste de la humedad para elegir el modo de funcionamiento: continuo, nivel de humedad 40%, 50%, 60% o 70%. Se encenderá el indicador adecuado para el valor correspondiente.
4. Pulsa el botón velocidad/ventilación para ajustar la velocidad alta o baja de la ventilación. Se encenderá el indicador adecuado para el valor correspondiente.
5. Pulsa el botón RELOJ para ajustar el tiempo de funcionamiento deseado (1~24 horas). Al pulsar el botón RELOJ la pantalla visualizadora indicará el tiempo actualmente seleccionado. Libera el botón durante 8 segundos para que la pantalla vuelva al modo de la humedad en la habitación. Una vez pasado el tiempo preseleccionado el compresor se apagará automáticamente.
6. Con el botón „TEMP” se visualiza la temperatura actual en la habitación. Libera el botón durante 8 segundos para que la pantalla vuelva al modo de la humedad en la habitación.
7. La función DESHUMIDIFICADOR enciende el modo turbo del circuito de ventilación y hace bajar el nivel de humedad en el aire. Esta función permite que se seque la colada.
8. Para apagar el aparato pulsa el botón ON/OFF .
9. La función de encendido automático (PRE-SET), a través del botón RELOJ y sin utilizar programar funciones del aparato (incluido el botón ON/OFF), se puede ajustar la

hora para encender la máquina/ Por ejemplo, si programas el reloj en '2', el aparato se encenderá automáticamente pasadas 2 horas.

## ►► 6. ELIMINACIÓN DEL AGUA ALMACENADA

Cuando el depósito de agua esté lleno el compresor se enciende automáticamente por seguridad, y el indicador del depósito lleno se encenderá con la luz roja.

Para retirar el depósito de agua sácalo del aparato de forma perpendicular al mismo.

Una vez vaciado el depósito de agua colócalo de nuevo en su sitio. Asegúrate de que el depósito está colocado de forma correcta. En este caso la luz de control del depósito lleno se apagará y el deshumidificador se encenderá.

Fíjate que en el caso de que el depósito no esté colocado de forma correcta el indicador del depósito lleno seguirá señalizándolo con la luz roja.

## VACIADO CONTINUO

Si el deshumidificador se utiliza en las condiciones de alta humedad del aire el depósito de agua necesitará que éste se vacíe más a menudo. En este caso resultará más cómodo programar el vaciado continuo del depósito. Para ello hace falta seguir estos pasos:

1. Retirar el depósito de agua (Fig. 5)
2. Conectar el conducto para el agua al orificio de salida de diámetro: 11 mm (este conducto no viene incluido en el kit) (Fig. 6).
3. Asegúrate de que el conducto está conectado de forma correcta y el agua cae sin obstáculos. ¡Atención!: En el caso de las temperaturas muy bajas, además, hay que proteger el conducto para que este no se congele.
4. Colocar el depósito de agua en su sitio.

## ►► 7. LIMPIEZA Y MANTENIMIENTO

Antes de empezar las labores de limpieza o mantenimiento hay que desconectar el aparato de la red eléctrica.

### LIMPIEZA EXTERIOR

Usar un paño suave para limpiar el aparato.

Bajo ningún concepto use sprays, detergentes, gasolina, ropa tratada con productos químicos u otras sustancias limpiadoras. Cualquiera de las sustancias mencionadas puede dañar la caja del aparato.

### LIMPIEZA DEL FILTRO

Este modelo de deshumidificador viene equipado con 2 tipos de filtros (FIG. 7):

#### 1. FILTRO ANTIPOLVO

- Quita la conexión del filtro, saca el filtro con carbón activado.

- Limpia el filtro con cuidado utilizando una aspiradora o aclarándolo bajo un chorro de agua corriente. - Cuando el filtro está muy sucio utiliza el agua caliente y un detergente suave.

- Asegúrate de que el filtro está completamente seco antes de utilizarlo de nuevo.

- No se debe exponer el filtro a los rayos directos del sol.

#### 2. FILTRO DE CARBÓN ACTIVADO

(adhiera las partículas de polvo suspendidas en el aire y limita el proceso de reproducción de las bacterias).

El filtro de carbón activado se ubica detrás del filtro antipolvo y al contrario que el segundo, el primero no es lavable. La durabilidad del filtro de carbono depende de las condi-

ciones ambientales en el lugar donde se utiliza el aparato. El filtro se debe verificar periódicamente y en caso de necesidad cambiarlo.

### ALMACENAMIENTO

Si el aparato no se utiliza durante una temporada se recomienda apagarlo. Se debe desenchufar el cable y limpiarlo:

- ▶ Es necesario vaciar completamente el depósito de agua y secarlo.
- ▶ A continuación tapamos el aparato y lo guardamos en un lugar donde no esté expuesto a rayos de sol.

## ▶▶ 8. DIAGNOSTICAR LOS PROBLEMAS

### EL APARATO NO ARRANCA:

- ▶ ¿El cable de alimentación está desenchufado?
- ▶ ¿La corriente eléctrica en casa está cortada?
- ▶ ¿La temperatura de la habitación es más baja que 5°C o más alta que 35°C? Si es así la temperatura está fuera de la temperatura de servicio.
- ▶ Asegurarse de que el humidostato (o el interruptor ON/OFF) está encendido.
- ▶ Verificar si el depósito de agua está colocado correctamente en el aparato y si está lleno.
- ▶ Asegurarse de que la salida y la entrada de aire no están bloqueadas.

### EL APARATO PARECE QUE NO FUNCIONA:

- ▶ ¿El filtro está sucio o con polvo?
- ▶ ¿La salida y la entrada de aire están bloqueadas?
- ▶ ¿La humedad del ambiente está ya demasiado baja?

### EL APARATO PARECE QUE NO FUNCIONA EFICAZMENTE:

- ▶ ¿Hay demasiadas puertas y ventanas abiertas?
- ▶ ¿Hay algo en la habitación que sube el nivel de humedad?

### EL APARATO ES DEMASIADO RUIDOSO:

- ▶ Verificar si el aparato está apoyado en una superficie lisa.

### EL APARATO PIERDE AGUA:

- ▶ Asegurarse de que el aparato está en buena condición técnica.
- ▶ Si la opción de la salida continua de agua no está en uso, hay que asegurarse de que el tapón de goma (que se encuentra en la parte inferior del aparato) está en su sitio.

## Códigos de errores en la pantalla

Código	Causa	Solución
E1	El sensor de temperatura del ambiente (con la protección de resina) está abierto o no funciona correctamente debido a un cortocircuito.	Verificar si el sensor de temperatura del ambiente está conectado al circuito impreso de forma correcta.
		Cambiar el sensor de temperatura del ambiente.
		Cambiar el circuito impreso principal.
		El nivel de humedad del aire está por debajo del 40% de la humedad relativa.
E2	El sensor del circuito de refrigeración (con la protección de cobre) está abierto o no funciona correctamente debido a un cortocircuito	Verificar si el sensor está conectado al circuito impreso de forma correcta.
		Cambiar el sensor.
		Cambiar el circuito impreso principal.



## TABLE DES MATIÈRES

1...	<b>FONCTIONNEMENT</b>
2...	<b>LOCALISATION</b>
3...	<b>CONSEILS AVANT L'UTILISATION</b>
4...	<b>PIÈCES</b>
5...	<b>EXPLOITATION</b>
6...	<b>EVACUATION D'EAU</b>
7...	<b>ENTRETIEN ET MAINTENANCE</b>
8...	<b>DÉTECTION DE DÉFAUTS</b>

**AVANT D'UTILISER L'APPAREIL, IL FAUT LIRE ATTENTIVEMENT LA NOTICE AINSI QUE LA CONSERVER POUR L'UTILISER ULTÉRIEUREMENT.**

### ►► 1. FONCTIONNEMENT

Le produit suivant sert à déshumidifier l'air. Il contrôle l'humidité relative en faisant passer l'air à travers l'appareil, en amenant à la condensation du surplus d'humidité sur les éléments frigorifiques. Le contact avec une surface froide provoque la liquéfaction de l'humidité dans l'air. Ensuite, l'eau condensée est évacuée en sécurité dans le réservoir d'eau. L'air déshumidifié passe par le condenseur où il est chauffé un peu et ensuite il est à nouveau conduit dans la pièce, mais sa température est légèrement élevée.

#### ► FIG. 1

1. sortie d'air sec,
2. condenseur,
3. évaporateur,
4. entrée d'air humide,
5. réservoir d'eau,
6. compresseur
7. moteur
8. rotor du ventilateur

### ►► 2. LOCALISATION

Le surplus d'humidité va se propager dans la maison de la même manière que l'odeur pendant la cuisson se propage dans la pièce. C'est pour cela que le déshumidificateur devrait être placé de manière à prélever l'air humide de toute la maison.

Eventuellement, s'il y a un grave problème dans une pièce, il existe la possibilité de placer le déshumidificateur près de cette pièce et ensuite de le mettre dans un endroit plus central.

Pendant la pose de l'humidificateur, il faut s'assurer qu'il se trouve sur une surface droite ainsi que de chaque côté de l'appareil il y a 10 cm (4") d'espace afin de permettre un passage d'air effectif.

Le présent déshumidificateur est équipé de roues flottantes afin de permettre une meilleure mobilité. Au moment de changement de place de l'appareil, il faut d'abord l'éteindre et vider le réservoir d'eau.

Il n'est pas conseillé d'utiliser une rallonge, c'est pourquoi il faut s'assurer que l'appareil se trouve suffisamment près d'une prise de contact. En cas de nécessité d'utiliser une rallonge, il faut s'assurer que le diamètre des câbles est de 1 mm<sup>2</sup> minimum.

Pendant le fonctionnement du déshumidificateur, en cas

de nécessité les portes et fenêtres devraient être fermées afin de permettre une meilleure efficacité de l'appareil.

### ►► 3. CONSEILS AVANT L'UTILISATION ATTENTION !

► L'appareil doit se trouver toujours en position verticale.

► Il faut mettre l'appareil pour une heure en position verticale avant de le brancher dans le réseau d'alimentation après l'avoir transporté ou s'il a été basculé (par exemple lors du nettoyage).

► Il faut tenir les corps étrangers loin des ouvertures d'entrée et de sortie d'air.

► L'alimentation en courant doit être conforme à la spécification se trouvant sur la plaque signalétique à l'arrière de l'appareil.

► Si le câble d'alimentation est endommagé, il doit être remplacé par un représentant du service autorisé (une personne possédant les qualifications nécessaires) afin d'éviter le danger.

► Il est interdit d'utiliser la fiche de contact afin d'allumer et d'éteindre l'appareil. Il faut toujours utiliser l'interrupteur se trouvant sur le panneau de commande.

► Avant de déplacer l'appareil, il faut d'abord l'éteindre et ensuite vider le réservoir d'eau.

► Il ne faut pas utiliser d'insecticides en aérosol ni d'autres produits nettoyants inflammables.

► Il ne faut en aucun cas arroser ou asperger l'appareil d'eau.

► LE PRESENT APPAREIL N'EST PAS DESTINE A ETRE UTILISE PAR DES PERSONNES (ENFANTS INCLUS) POSSEDANT DE RESTREINTES CAPACITES PHYSIQUES, SENSORIELLES OU MENTALES OU PAR DES PERSONNES SANS EXPERIENCE QUI N'ONT PAS ETE FORMEES PAR LA PERSONNE RESPONSABLE DE LEUR SECURITE. IL FAUT FAIRE ATTENTION A CE QUE LES ENFANTS NE JOUENT PAS AVEC CET APPAREIL.

### IMPORTANT !

Il ne faut pas utiliser l'appareil dans une température ambiante en-dessous de 5°C afin d'éviter le recouvrement de glace sur l'évaporateur.

### ►► 4. PIÈCES

► Avant FIG. 2

1. Panneau de commande
2. Rétroéclairage
3. Panneau avant
4. Panneau arrière

- Arrière FIG. 3
- 5. Clapet de ventilation
- 6. Poignée
- 7. Entrée d'air / Filtres
- 8. Fenêtre du niveau d'eau
- 9. Réservoir d'eau

## ►► 5. EXPLOITATION

- Panneau de commande FIG. 5
- 1. Bouton de réglage de l'humidité
- 2. Voyant de mode (continu, humidité 40%, 50%, 60%, 70%)
- 3. Affichage de la température / de l'humidité
- 4. Voyant de fonctionnement de la minuterie
- 5. Bouton d'affichage de la température
- 6. Voyant d'ionisateur et TiO 2 (fonctions en option selon le modèle acheté)
- 7. Voyant SECHEUR
- 8. Bouton SECHEUR
- 9. Voyant de haute vitesse de la ventilation
- 10. Bouton vitesse/ventilation
- 11. Voyant de basse vitesse de la ventilation
- 12. Voyant d'alimentation
- 13. Bouton MARCHE/ARRET (alimentation)
- 14. Voyant «Remplissage d'eau»
- 15. Bouton MINUTERIE
- 16. Bouton d'ionisateur et TiO 2 (fonctions en option selon le modèle acheté)

### ► Fonction de rétroéclairage:

- Lumière bleue - l'humidité ambiante > 70%
- Lumière verte - l'humidité ambiante > 50~70%
- Lumière rouge - l'humidité ambiante < 50%
- Lumière rouge clignotante - alarme de remplissage d'eau

### ► Exploitation:

1. Branchez l'appareil à une prise appropriée. (Vérifiez la tension / la fréquence sur la plaque signalétique de l'appareil).
2. Appuyez sur le bouton MARCHE/ARRET pour démarrer l'appareil. Le compresseur démarre.
3. Appuyez sur le bouton de réglage d'humidité pour sélectionner le mode de fonctionnement: constant, niveau d'humidité 40%, 50%, 60% ou 70%. Le voyant correspondant s'allume.
4. Appuyez sur le bouton de vitesse / ventilation pour régler la vitesse du ventilateur (haute ou basse). Le voyant correspondant s'allume.
5. Appuyez sur le bouton MINUTERIE pour régler une durée souhaitée (1~24 heures). Lorsque vous appuyez sur le bouton MINUTERIE, la fenêtre d'affichage indique la durée sélectionnée, relâchez le bouton pendant 8 secondes pour que la fenêtre d'affichage revienne au mode d'affichage de l'humidité ambiante. Après l'écoulement du temps indiqué, le compresseur se met automatiquement hors tension.
6. Le bouton TEMP permet d'afficher la température actuelle de la pièce, relâchez le bouton pendant 8 secondes pour que la fenêtre d'affichage revienne au mode d'affichage de l'humidité ambiante.
7. La fonction de séchage active le mode turbo du système de ventilation ce qui provoque le drainage permanent de l'humidité dans l'air, cette fonction permet de sécher le linge.
8. Appuyez sur le bouton MARCHE/ARRET pour démarrer

l'appareil.

9. La fonction de la mise hors tension précoce (PRE-SET) en utilisant le bouton MINUTERIE sans activer toutes les autres fonctions (y compris le bouton MARCHE/ARRET), vous pouvez programmer le temps de la mise hors tension de l'appareil / par exemple, si vous réglez la minuterie à '2', l'appareil démarre automatiquement après 2 heures.

## ►► 6. EVACUATION D'EAU

Lorsque le réservoir est rempli d'eau, le compresseur s'arrête automatiquement pour la sécurité, et le voyant de remplissage d'eau s'allume en rouge.

Pour retirer le réservoir d'eau, enlevez-le perpendiculairement de l'appareil.

Après avoir vidé le réservoir d'eau, remettez-le à sa place. Assurez-vous qu'il est correctement positionné, alors le voyant de remplissage d'eau s'éteint et le sècheur démarre.

Notez que si le réservoir n'est pas insérée correctement, le voyant de remplissage s'allume toujours en rouge.

## EVACUATION CONTINUE

Si le sècheur est utilisé dans des conditions de forte humidité, le réservoir d'eau doit être vidé plus fréquemment. Dans une telle situation, il est beaucoup plus pratique de régler le vidage continu du réservoir, pour le faire, procédez aux opérations suivantes:

1. Retirez le réservoir d'eau (fig. 5).
2. Raccordez le conduit d'eau à un trou de sortie d'un diamètre: 11 mm (le conduit n'est pas fourni avec l'appareil) (Fig. 6).
3. Assurez-vous que le conduit est correctement connecté et l'eau écoule bien. Attention! À de très basses températures, protégez le conduit contre le gel.
4. Mettez le réservoir d'eau à sa place.

## ►► 7. ENTRETIEN ET MAINTENANCE

Avant d'effectuer l'entretien ou avant le nettoyage de l'appareil, il faut toujours le débrancher du réseau d'alimentation.

### NETTOYAGE DU CORPUS

Afin de nettoyer l'appareil, il faut utiliser un chiffon doux. En aucun cas on ne peut utiliser des substances chimiques, des détergents, de l'essence, des vêtements souillés à un traitement chimique ou autres substances nettoyantes. Chacune de ces substances peut endommager le boîtier de l'appareil.

### NETTOYAGE DU FILTRE

Ce modèle du sècheur est équipé de 2 types de filtres (FIG. 7):

#### 1. FILTRE ANTI-POUSSIÈRE

- Retirez le porte-filtre, enlever le filtre au charbon actif.
- Nettoyez délicatement le filtre avec un aspirateur ou le rincez sous le robinet. Si le filtre est très sale, utilisez de l'eau chaude et une petite quantité de détergent doux.
- Assurez-vous que le filtre est complètement sec avant sa réutilisation.
- Ne pas exposer le filtre à lumière directe du soleil.

2. Filtre à charbon actif (pour lier les particules de poussière suspendues dans l'air et limiter la multiplication des bactéries).

Le filtre à charbon actif est placé derrière le filtre anti-pous-



sière, et, contrairement à ce filtre, il n'est pas lavable. La durabilité du filtre à charbon dépend des conditions environnementales à l'emplacement où l'appareil est utilisé. Le filtre doit être périodiquement vérifié et remplacé si nécessaire.

### STOCKAGE

Il faut éteindre l'appareil s'il n'est pas utilisé pendant une longue période. Il faut débrancher le câble d'alimentation et le nettoyer :

- Il faut vider complètement le réservoir d'eau et le nettoyer jusqu'à ce qu'il soit sec.
- Il faut ensuite couvrir l'appareil et le stocker dans un endroit où il ne sera pas exposé au rayonnement du soleil.

## ►► 8. DÉTECTION DE DÉFAUTS

### L'APPAREIL NE FONCTIONNE PAS :

- L'appareil a-t-il été branché au réseau d'alimentation ?
- Le courant est-il allumé dans la maison ?
- Est-ce que la température ambiante est de 5°C ou de plus de 35°C ? Si oui, la température dépasse le domaine d'action de l'appareil.
- Il faut s'assurer si l'humidostat (ou le commutateur ON/OFF) est enclenché.
- Il faut vérifier si le réservoir d'eau est placé convenablement sur l'appareil et s'il n'est pas plein.
- Il faut s'assurer que l'entrée et la sortie d'air ne sont pas bloquées.

### L'APPAREIL SEMBLE NE PAS ETRE EN MARCHÉ

- Le filtre est-il empoussiéré, sale ?
- L'entrée et la sortie d'air ne sont-elles pas bloquées ?
- L'humidité de l'environnement n'est-elle pas plus basse ?

### L'APPAREIL SEMBLE NE PAS TRAVAILLER EFFICACEMENT :

- Est-ce qu'il n'y a pas trop de portes et fenêtres ouvertes ?
- Est-ce que dans la pièce il n'y a pas quelque chose qui provoque une grande humidité ?

### L'APPAREIL EST TROP BRUYANT

- Il faut vérifier si l'appareil se trouve sur une surface droite

### L'APPAREIL A DES FUITES :

- Il faut vérifier si l'appareil est en bon état technique.
- Si la fonction d'évacuation continua d'eau n'est pas utilisée, il faut s'assurer que le bouchon en caoutchouc (en bas de l'appareil) se trouve à sa place.

Codes d'erreur sur l'affichage		
Code	Motif	Solution
E1	Le capteur de température ambiante (avec la couverture de résine) est ouvert ou a une défaillance due à un court-circuit.	Vérifier si le capteur de température ambiante est connecté de manière correcte à la carte électronique.
		Remplacer le capteur de température ambiante.
		Remplacer la carte électronique.
E2	Le capteur de système réfrigérant (avec la couverture de cuivre) est ouvert ou a une défaillance due à un court-circuit.	Le niveau d'humidité de l'air est inférieur à 40% de l'humidité relative.
		Vérifier si le capteur est connecté de manière correcte à la carte électronique.
		Remplacer le capteur
		Remplacer la carte électronique.



## INHOUDSOPGAV

1...	<b>WERKING</b>
2...	<b>PLAATSING</b>
3...	<b>INSTRUCTIES VÓÓR HET GEBRUIK</b>
4...	<b>ONDERDELEN</b>
5...	<b>BEDIENING</b>
6...	<b>WATERAFVOER</b>
7...	<b>ONDERHOUD</b>
8...	<b>VERHELPELEN VAN STORINGEN</b>

**ALVORENS HET APPARAAT TE GEBRUIKEN, DIEN DE HANDLEIDING AANDACHTIG TE WORDEN BESTUDEERD EN BEWAARD VOOR LATERE RAADPLEGING.**

### ►► 1. WERKING

Dit apparaat is een luchtontvochtiger. De luchtontvochtiger regelt de relatieve vochtigheid in afgesloten ruimtes door lucht op te zuigen en over koelelementen te leiden. Het koude oppervlak van de koelelementen laat het vocht in de lucht condenseren. Het condenswater wordt opgevangen in de watertank. De gedroogde lucht wordt door de uitblaasrooster weer in het vertrek geblazen. De lucht wordt nog iets opgewarmd, voordat deze door de uitblaasrooster weer in het vertrek wordt geblazen.

#### ► FIG. 1

1. uitlaat droge lucht
2. condensor
3. verdamper
4. inlaat vochtige lucht
5. watertank
6. compressor
7. motor
8. ventilatorblad

### ►► 2. PLAATSING

Vochtige lucht verspreidt zich, net als hinderlijke (kook) luchtjes, door het gehele huis. Het is dan ook raadzaam om de luchtontvochtiger op een centrale plaats neer te zetten, zodat de vochtige lucht van alle kanten uit het gehele huis kan worden aangezogen. Heeft u een serieus vochtprobleem in een vertrek, begin dan in dit vertrek. Later als het vochtprobleem is opgelost, kunt u de luchtontvochtiger desgewenst verplaatsen naar een meer centrale plaats.

Plaats de luchtontvochtiger nooit te dicht bij een radiator of andere warmtebron.

Zet de luchtontvochtiger stabiel op een vlakke ondergrond. Zet de luchtontvochtiger zoveel mogelijk waterpas en zorg ervoor dat de lucht onbelemmerd kan worden aangezogen en uitgeblazen. Zorg er dus voor dat aan alle kanten van het apparaat minstens 10 cm (4") vrije ruimte wordt behouden. Voor extra praktisch gebruik en mobiliteit heeft uw luchtontvochtiger 4 wieltjes. Indien u het apparaat wilt verplaatsen, dient u het eerst uit te zetten, het snoer uit het stopcontact te halen en de watertank te legen. Het gebruik van een verlengsnoer wordt afgeraden. Zorg er dus voor dat het apparaat niet te ver van een stopcontact wordt geplaatst.

Indien een verlengsnoer toch noodzakelijk blijkt te zijn,

let erop dat de diameter van de stroomkabels minstens 1 mm<sup>2</sup> bedraagt. Het beste effect wordt verkregen in een ruimte met buitendeuren en ramen gesloten wanneer de luchtontvochtiger aan staat.

### ►► 3. INSTRUCTIES VÓÓR HET GEBRUIK

#### LET OP!

- het apparaat moet altijd rechtop staan;
  - vóór het aansluiten van uw luchtontvochtiger moet deze minimaal 1 uur rechtop hebben gestaan na het transport ervan of nadat deze is gekanteld (bijv. tijdens reiniging ervan);
  - Stop geen vreemde voorwerpen in de openingen (lucht in- en uitlaten);
  - Controleer de netspanning. De luchtontvochtiger is uitsluitend geschikt voor de aansluitspanningen die staan aangegeven op het typeplaatje aan de achterkant van het apparaat;
  - Als de stroomkabel van de luchtontvochtiger is beschadigd, dient deze vervangen te worden door een deskundige servicemonteur om ieder risico te voorkomen;
  - zet het apparaat nooit aan en schakel het nooit uit door de stekker uit het stopcontact te trekken. Gebruik hiervoor altijd de schakelaar op het bedieningspaneel;
  - indien u het apparaat wilt verplaatsen, dient u het eerst uit te zetten, de stekker uit het stopcontact te halen en de watertank te legen;
  - gebruik geen spray tegen ongedierte of anderen brandbare schoonmaakmiddelen;
  - reinig de luchtontvochtiger nooit door het apparaat met water te besproeien of in water te dompelen.
- DIT APPARAAT IS NIET BESTEMD VOOR GEBRUIK DOOR PERSONEN (INCLUSIEF KINDEREN) MET EEN BEPERKT LICHAAMELIJK, ZINTUIGLIJK OF GEESTELIJK VERMOGEN OF DOOR PERSONEN ZONDER ERVARING DIE NIET ZIJN GETRAIND DOOR IEMAND DIE VERANTWOORDELIJK IS VOOR HUN VEILIGHEID. LET ER OP DAT KINDEREN NIET MET HET APPARAAT SPELEN.**

#### BELANGRIJK!

Het apparaat mag niet worden gebruikt bij temperaturen onder 5°C, om zo ijsafzetting op de verdamper te voorkomen.

### ►► 4. ONDERDELEN

- Voorkant FIG. 2
- 1. Bedieningspaneel

2. Verlichting
3. Voorplaat
4. Achterplaat

- ▶ Achterkant FIG. 3
- 5. Ventilatie klep
- 6. Handgreep
- 7. Luchtinlaat /Filters
- 8. Kijkglas waterpeil
- 9. Watertank

## ▶▶ 5. BEDIENING

### ▶ FIG. 4

1. Knop voor het instellen van de luchtvochtigheid
2. Indicator van de werkmodus (ononderbroken, luchtvochtigheid 40%, 50%, 60%, 70%)
3. Temperatuur/luchtvochtigheid weergave
4. Indicator werking van de tijd klok
5. Knop voor temperatuur weergave
6. Indicator ionisator en TiO<sub>2</sub> (optionele functies afhankelijk van het gekochte model)
7. Indicator LUCHTONTVOCHTIGER
8. Knop LUCHTONTVOCHTIGER
9. Indicator hoge snelheid van de ventilatie
10. Regelknop snelheid/ventilatie
11. Indicator lage snelheid van de ventilatie
12. Indicator stroomvoorziening
13. Knop ON/OFF (voorziening)
14. Indicator "Vulling met water"
15. Knop KLOK
16. Knop ionisator en TiO<sub>2</sub> (optionele functies afhankelijk van het gekochte model)

### ▶ Verlichting functie:

Blauw licht – luchtvochtigheid van de ruimte >70%  
Groen licht - luchtvochtigheid van de ruimte 50~70%  
Rood licht -luchtvochtigheid van de ruimte < 50%  
Knipperend rood licht - alarm voor hoog waterniveau.

### ▶ Bediening

1. Sluit het apparaat op het juiste stopcontact aan. (Gelieve de waarde van de spanning/frequentie controleren op de voorgeschreven typeplaat van het apparaat)
2. Druk op de knop ON/OFF om het apparaat in te schakelen. De compressor gaat aan.
3. Druk op de knop voor het instellen van de luchtvochtigheid om de werkmodus te selecteren: permanent, luchtvochtigheidsniveau 40%, 50%, 60% of 70%. De juiste indicator voor de gegeven waarde gaat branden.
4. Druk op de knop snelheid/ventilatie om de hoge of lage snelheid van de ventilatie in te stellen. De juiste indicator voor de gegeven waarde gaat branden.
5. Druk op de knop KLOK om de verwachte werktijd (1~24 uur) in te stellen. Na het drukken op de knop KLOK, vertoont het display de geselecteerde tijd. Laat de knop los gedurende 8 seconden zodat het display teruggaat naar de weergave van de luchtvochtigheid van de ruimte. Na het verloop van het aangegeven aantal uren, gaat de compressor automatisch uit.
6. Door het drukken op de knop "TEMP" wordt de huidige temperatuur in de ruimte vertoond. Laat de knop los gedurende 8 seconden zodat het display teruggaat naar de weergave van de luchtvochtigheid van de ruimte.

7. De functie LUCHTONTVOCHTIGER zet de turbo-modus van het ventilatiesysteem aan en dit veroorzaakt het permanent afdrogen van de luchtvochtigheid. Door middel van deze functie kan men de was drogen.

8. Om het apparaat uit te zetten, druk op de knop ON/OFF.
9. Functie PRE-SET. Door middel van de knop KLOK zonder het starten van enige functies (knop ON/OFF inbegrepen) kan men de tijd van het aanzetten van het apparaat instellen, bv. als men de klok op '2' instelt, dan gaat het apparaat automatisch 2 uur later aan.

## ▶▶ 6. WATERAFVOER

Wanneer de watercontainer vol is, voor de beveiliging gaat de compressor automatisch uit en de indicator 'vulling met het water' gaat rood branden.

Om de watercontainer te verwijderen, til hem voorzichtig uit het apparaat.

Na het legen van de watercontainer, plaats hem weer terug. Verzekert u zich dat de watercontainer goed terug geplaatst is. Als de watercontainer goed terug geplaatst is, gaat het verklikkerlicht 'vulling met het water' uit en de luchtontvochtiger wordt gestart.

Als de watercontainer niet goed terug geplaatst is, zal de indicator 'vulling met het water' nog steeds rood branden.

## AANSLUITEN OP EEN VASTE WATERAFVOER

Als de luchtontvochtiger bij een hoge luchtvochtigheid wordt gebruikt, zal de watercontainer vaker dienen gelegd te worden. In een dergelijke situatie is het veel makkelijker het ononderbroken legen van de watercontainer in te stellen. Daarvoor dient men de volgende handelingen uit te voeren:

1. Verwijder de watercontainer (FIG. 5)
2. Sluit de waterafvoer aan op de luchtuitlaat van diameter: 11 mm (de waterafvoer wordt niet met het apparaat meegeleverd) (FIG. 6)
3. Verzekert u zich dat de waterafvoer goed bevestigd is en dat het water zonder obstakels weg kan lopen. Let op! Bij hele lage temperatuur dient men aanvullend de waterafvoer tegen het bevriezen te beveiligen.
4. De watercontainer op zijn plek zetten.

## ▶▶ 7. ONDERHOUD

Neem altijd eerst de stekker uit het stopcontact voordat u het apparaat of onderdelen hiervan gaat reinigen of vervangen.

## SCHOONMAKEN VAN DE BUITENKANT VAN HET APPARAAT

Gebruik alleen een zachte doek om de buitenkant van het apparaat schoon te maken.

Gebruik geen bijtende of agressieve schoonmaakmiddelen. Deze middelen kunnen het apparaat blijvend beschadigen.

## SCHOONMAKEN VAN HET LUCHTFILTER

Dit model van de luchtontvochtiger is uitgerust met soorten filters (FIG. 7):

### 1. LUCHTFILTER

- Verwijder de filterhouder en verwijder dan het koolstof-filter.

- Maak het filter voorzichtig schoon met de stofzuiger of spoel hem af onder de kraan. Als het filter zeer vies is, gebruik warm water met een kleine hoeveelheid van een

zacht schoonmaakmiddel.

- Voor het hergebruik van het filter, verzekert u zich dat het filter helemaal droog is.

- Men dient het filter niet aan direct zonlicht bloot te stellen.

2. **ACTIEF KOOSTOFLFILTER** (bestemd voor het binden van stofdeeltjes die in de lucht aanwezig zijn en voor het beperken van de vermenigvuldiging van bacteriën)

Het actieve koolstoffilter is gelegen achter het luchtfilter. In tegenstelling tot het luchtfilter kan het actieve koolstoffilter niet gereinigd worden. De duurzaamheid van het koolstoffilter hangt af van de omgevingsomstandigheden van de ruimte waar het apparaat wordt gebruikt. Het filter dient periodiek gecontroleerd te worden en als het nodig vervangen te worden.

### OPSLAG

Wanneer u de luchtontvochtiger langere tijd niet wilt gebruiken, dient het apparaat te worden uitgeschakeld. Trek het snoer uit het stopcontact en reinig het apparaat.

- ▶ Leeg de watertank en droog alle onderdelen goed.
- ▶ Bedek de luchtontvochtiger en bewaar het apparaat op een plaats waar het niet wordt blootgesteld aan direct zonlicht.

## ►► 8. VERHELPEN VAN STORINGEN

### DE LUCHTONTVOCHTIGER WERKT NIET:

- ▶ Is de stekker aangesloten op een stopcontact?
- ▶ Is er stroomaansluiting in het gebouw?
- ▶ Is de kamertemperatuur 35°C of hoger? Zo ja, dan is valt dit buiten de werkingstemperatuur van het apparaat.
- ▶ Check of de hygrostaat (of de ON/OFF knop) is ingeschakeld.
- ▶ Zorg ervoor dat de watertank leeg is en goed in de luchtontvochtiger geplaatst.
- ▶ Zorg ervoor dat de luchtinlaat en -uitlaat vrij zijn.

### DE LUCHTONTVOCHTIGER LIJKT NIET GOED TE WERKEN:

- ▶ Is het filter vuil of verstopt?
- ▶ Zijn de luchtinlaat of -uitlaat geblokkeerd?
- ▶ Is het vochtigheidsgehalte van de omgeving niet al laag genoeg?

### DE LUCHTONTVOCHTIGER ONTVOCHT NIET OF SLECHTS HEEL WEINIG:

- ▶ Zijn er niet te veel deuren en ramen open?
- ▶ Is er iets in de kamer dat voor een hoog vochtigheidsgehalte zorgt?

### HET APPARAAT MAAKT VEEL LAWAAI:

- ▶ Controleer of de luchtontvochtiger stabiel is en op een vlakke ondergrond staat.

### ER LOOPT WATER UIT DE LUCHTONTVOCHTIGER:

- ▶ Controleer of the apparaat in goede technische staat is.
- ▶ Indien het apparaat niet op een vaste waterafvoer is aangesloten, dient te worden gecontroleerd of de rubberen dop aan de onderkant van het apparaat goed vastzit.

## Foutcodes op het scherm

Code	Oorzaak	Oplossing
E1	De omgevingstemperatuursensor (omhulsel: hars) is geopend of er is een storing vanwege een kortsluiting.	Controleer of de omgevingstemperatuursensor goed is aangesloten op de printplaat.
		Vervang de omgevingstemperatuursensor.
		Vervang de hoofdprintplaat.
E2	De koelsysteemsensor (omhulsel: koper) is geopend of er is een storing vanwege een kortsluiting.	Het niveau van luchtvochtigheid is lager dan 40% relatieve vochtigheid.
		Controleer of de sensor goed is aangesloten op de printplaat.
		Vervang de sensor.
		Vervang de hoofdprintplaat.



# MANUAL DE INSTRUÇÕES

1...	<b>FUNCIONAMENTO</b>
2...	<b>LOCALIZAÇÃO</b>
3...	<b>INDICAÇÕES DE SEGURANÇA ANTES DA UTILIZAÇÃO DO APARELHO</b>
4...	<b>ELEMENTOS</b>
5...	<b>OPERAÇÃO</b>
6...	<b>ESCOAMENTO DE ÁGUA</b>
7...	<b>LIMPEZA E CONSERVAÇÃO</b>
8...	<b>INDIVIDUAÇÃO DOS DEFEITOS</b>

**pt** **ANTES DE PROCEDER À UTILIZAÇÃO DO PRESENTE APARELHO, É NECESSÁRIO TOMAR O CONHECIMENTO DO SEU MANUAL DE INSTRUÇÕES E CONSERVÁ-LO PARA A POSTERIOR UTILIZAÇÃO.**

## ▶▶ 1. FUNCIONAMENTO

O presente aparelho serve para secar o ar. O secador controla a humidade relativa através da passagem do ar pelo dispositivo, levando à condensação do excesso de humidade em elementos resfriadores. O contacto com uma superfície fria causa a condensação da humidade do ar. Logo a seguir, a água condensada é seguramente distribuída para o depósito de água. O ar seco passa pelo condensador no qual é aquecido por um instante e a seguir é novamente libertado num dado local, sendo a temperatura do ar libertado insignificamente aumentada.

### ▶ FIG. 1

1. saída do ar seco
2. condensador
3. vaporizador
4. entrada do ar húmido
5. depósito de água
6. compressor
7. Motor
8. Rotor do ventilador

## ▶▶ 2. LOCALIZAÇÃO

O excesso de humidade em casa distribui-se de maneira igual aos cheiros produzidos durante a cozedura. Por isso o secador deve ser colocado de modo a poder apanhar o ar de toda a casa.

Caso num compartimento de casa ocorra um problema grave, pode-se colocar o secador na proximidade deste lugar, e a seguir deslocá-lo para um lugar mais centralizado. É necessário assegurar-se de que o secador está colocado numa superfície plana e está garantido um espaço livre de pelo menos 10 cm (4") de todos os lados do mesmo.

O presente secador está equipado com rodas auto-fixantes que garantem uma melhor mobilidade do aparelho. Antes de se pôr a deslocar o secador, o mesmo deve ser desligado e o depósito de água esvaziado.

Não se recomenda a utilização da extensão elétrica, por isso é necessário assegurar-se de que o secador se encontra na proximidade de uma tomada elétrica. Caso seja necessário utilizar uma extensão elétrica, assegurar-se de que o diâmetro dos fios do cabo elétrico tem pelo menos 1 mm<sup>2</sup>.

Durante o trabalho do secador, todas as janelas e a porta

de entrada devem estar fechadas, garantindo deste modo uma melhor eficácia do aparelho.

## ▶▶ 3. INDICAÇÕES DE SEGURANÇA ANTES DA UTILIZAÇÃO DO APARELHO

### ATENÇÃO!

- ▶ O aparelho deve estar sempre na posição vertical.
- ▶ Antes de ligar o secador à rede de alimentação elétrica e uma vez transportado ou inclinado (p.ex. durante a limpeza) o mesmo deve ser colocado na posição vertical durante uma hora.
- ▶ Todos e quaisquer objetos devem ser mantidos afastados dos buracos de entrada e de saída de ar.
- ▶ A alimentação elétrica deve ser conforme com a especificação apresentada na placa informadora do fabricante colocada na parte traseira do aparelho.
- ▶ Caso o cabo de alimentação esteja danificado, o mesmo deve ser substituído por uma pessoa autorizada e bem qualificada do departamento de assistência técnica do fabricante, evitando-se deste modo qualquer perigo.
- ▶ De modo nenhum se pode utilizar a ficha do cabo de alimentação para ligar ou desligar o aparelho.
- ▶ Deve-se sempre utilizar para este fim o botão situado no painel de operação.
- ▶ Antes de proceder à deslocação do aparelho, deve-se desligá-lo e logo a seguir esvaziar o depósito de água.
- ▶ Não se deve aplicar os sprays anti-insetos ou outros agentes de limpeza inflamáveis.
- ▶ De modo nenhum se pode deitar a água para o secador ou borrifá-lo com água.
- ▶ ESTE EQUIPAMENTO NÃO SE DESTINA A SER UTILIZADO POR PESSOAS (INCLUINDO CRIANÇAS) COM DEFICIÊNCIAS FÍSICAS, SENSORIAIS OU MENTAIS, OU PESSOAS QUE NÃO TÊM NENHUMA EXPERIÊNCIA OU CONHECIMENTO DO EQUIPAMENTO, A MENOS QUE SEJA FEITA SOB SUPERVISÃO OU DE ACORDO COM INSTRUÇÕES DE UTILIZAÇÃO DE EQUIPAMENTOS FORNECIDOS PELA PESSOAS RESPONSÁVEIS PELA SUA SEGURANÇA.

### IMPORTANTE!

O secador não pode ser utilizado na temperatura de ambiente inferior a 5°C, evitando-se deste modo o congelamento do tubinho do vaporizador.

## ▶▶ 4. ELEMENTOS

- ▶ Parte frontal FIG. 2
- 1. Painel de controlo
- 2. Luz de sinalização



3. Placa frontal
4. Placa traseira
- ▶ Parte traseira FIG. 3
5. Tapa de ventilação
6. Pega
7. Entrada de ar/ Filtros
8. Janela do nível de água
9. Depósito de água

## ▶▶ 5. OPERAÇÃO

- ▶ Painel de operação FIG. 4

1. Botão de configuração de humidade
2. Indicador do modo de trabalho (contínuo, humidade de 40%, 50%, 60%, 70%).
3. Mostrador de temperatura/ humidade
4. Indicador de funcionamento do temporizador
5. Botão de mostra de temperatura
6. Indicador de ionizador ou TiO 2 (opção em função do modelo adquirido).
7. Indicador SECADOR
8. Botão SECADOR
9. Indicador de alta velocidade de ventilação
10. Botão velocidade/ ventilação
11. Indicador de baixa velocidade de ventilação
12. Indicador de alimentação elétrica
13. Botão ON/ OFF (alimentação)
14. Indicador de "Depósito cheio"
15. Botão TEMPORIZADOR
16. Botão de ionizador e TiO 2 (opção em função do modelo adquirido).

- ▶ Função de luz de sinalização:

Luz azul – humidade do quarto > 70%

Luz verde – humidade do quarto 50~70%

Luz vermelha – humidade do quarto < 50%

Luz vermelha a piscar – alarma de depósito de água cheio

- ▶ Operação

1. Ligar o dispositivo a uma fonte de alimentação adequada. (verificar o valor de tensão elétrica/ frequência na placa de identificação do dispositivo).
2. Premir o botão ON/ OFF para pôr o dispositivo em funcionamento. O compressor começará a funcionar.
3. Premir o botão de configuração de humidade para selecionar o modo de trabalho: contínuo, nível de humidade 40%, 50%, 60% ou 70%. Acenderá o indicador apropriado a um dado valor.
4. Premir o botão velocidade/ ventilação para selecionar a velocidade alta ou baixa de ventilação. Acenderá o indicador apropriado a um dado valor.
5. Premir o botão TEMPORIZADOR para selecionar o tempo de funcionamento desejado (1~24 horas). Uma vez premido o botão TEMPORIZADOR no mostrador aparecerá o tempo atualmente selecionado. Libertado o botão e passados uns 8 segundos, o mostrador voltará a mostrar a humidade do quarto. Passadas horas desejadas, o compressor desligar-se-á automaticamente.
6. Premindo o botão "TEMP", no mostrador aparecerá a temperatura atual no quarto. Libertado o botão e passados uns 8 segundos, o mostrador voltará a mostrar a humidade do quarto.
7. A função SECADOR ativa o modo turbo do sistema de ventilação, causando uma seca contínua da humidade de ar. Esta função permite secar a roupa lavada.

8. Para desativar o dispositivo premir o botão ON/ OFF.
9. Função de ativação preliminar (PRE-SET). Premindo o botão TEMPORIZADOR sem ativar outras funções do dispositivo (também o botão ON/OFF), pode programar o tempo de ativação da máquina. Por ex. selecionando 2 fará com que o dispositivo se ative depois de 2 horas.

## ▶▶ 6. ESCOAMENTO DE ÁGUA

Quando o depósito de água está cheio o compressor desativa-se automaticamente para fins de segurança, enquanto que o indicador do depósito cheio acende com luz vermelha.

Para remover o depósito de água, retire-o do dispositivo de modo perpendicular.

Uma vez esvaziado o depósito de água, coloque-o novamente no seu lugar. Assegure-se de que o depósito de água está adequadamente colocado, neste caso o indicador do depósito cheio apaga-se, ativando-se o secador.

Note-se que se o depósito de água não for corretamente colocado, o indicador do depósito cheio continuará a ficar aceso com a luz vermelha.

## ESCOAMENTO CONTÍNUO DE ÁGUA

Caso o secador esteja utilizado em condições de alta humidade de ar, o depósito de água necessitará ser esvaziado com maior frequência. Neste caso é mais confortável selecionar a função de esvaziamento contínuo do depósito, fazendo para este fim as seguintes ações:

1. Remover o depósito de água (FIG. 5).
2. Ligar a mangueira de água ao orifício de saída com diâmetro de: 11 mm (a mangueira não é fornecida com o dispositivo) (FIG. 6).
3. Assegure-se de que a mangueira está corretamente fixada e a água é evacuada sem obstáculos. Atenção! Em temperaturas extremamente baixas, proteger adicionalmente o cabo do congelamento.
4. Colocar o depósito de água no seu lugar.

## ▶▶ 7. LIMPEZA E CONSERVAÇÃO

Antes de se pôr à conservação ou limpeza do aparelho, é necessário desligá-lo da rede de alimentação elétrica.

### LIMPEZA DA CAIXA

Para limpar o aparelho, utilizar um tecido mole.

De modo nenhum se pode utilizar substâncias químicas voláteis, detergentes, gasolina, roupa sujeita ao processamento térmico ou outras soluções de limpeza. Todas as referidas substâncias podem danificar a caixa do aparelho.

### LIMPEZA DO FILTRO

Este modelo do secador está equipado com 2 tipos de filtros (FIG. 7):

#### 1. FILTRO DE POEIRA

- Retirar a fixação do filtro, remover o filtro de carvão ativado.

- Limpar delicadamente o filtro mediante um aspirador ou lavando-o debaixo da torneira. Caso o filtro esteja muito sujo, lavá-lo em água quente e uma gota de detergente delicado.

- Antes de se voltar a utilizar o filtro, assegurar-se de que o mesmo está completamente seco.

- Não se deve expor o filtro à luz solar direta.

2. FILTRO DE CARVÃO ATIVADO (para capturar as partículas de poeira suspensas no ar e limitar a proliferação de

bactérias).

O filtro de carvão ativado encontra-se atrás do filtro de poeira, não sendo este lavável. A sua vida útil depende das condições de ambiente do local no qual o dispositivo é utilizado. O filtro deve ser controlado e substituído no caso de necessidade.

### ARMAZENAMENTO

Caso não se utilize o aparelho por um tempo prolongado, o mesmo deve ser desligado. O cabo de alimentação deve ser desligado e limpo.

- ▶ O depósito de água deve ser esvaziado e secado.
- ▶ O secador deve ser armazenado coberto e ao abrigo da luz solar.

pt

## ▶▶ 8. DETEÇÃO DE FALHAS

### ○ APARELHO NÃO FUNCIONA:

- ▶ O aparelho está ligado à rede de alimentação?
- ▶ A eletricidade em casa funciona?
- ▶ A temperatura do ambiente é de 5°C ou superior a 35°C? Se a resposta for afirmativa, a temperatura está fora do âmbito de trabalho do secador.
- ▶ Assegurar-se de que o humidóstato (ou botão ON/OFF) está ativado.
- ▶ Assegurar-se de que o depósito de água está adequadamente fixado no aparelho e está preenchido
- ▶ Assegurar-se de que a entrada e a saída de ar não estão bloqueadas.

### ○ APARELHO PARECE NÃO FUNCIONAR:

- ▶ O filtro está sujo?
- ▶ A entrada e a saída de ar estão bloqueadas?
- ▶ A humidade do ambiente já não está demasiado baixa?

### ○ APARELHO PARECE NÃO TRABALHAR EFICIENTEMENTE:

- ▶ Estão abertas demasiadas janelas e portas?
- ▶ No local encontra-se um objeto que produza humidade?

### APARELHO PRODUZ MUITO RUÍDO:

- ▶ Assegurar-se de que o aparelho está colocado numa superfície plana.

### DO APARELHO SAI A ÁGUA:

- ▶ Assegurar-se de que o aparelho está em bom estado técnico.
- ▶ Caso a opção de escoamento contínuo não esteja a ser usada, assegurar-se de que a tampa cega de borracha (na parte inferior do secador) está no seu lugar.

### Códigos de erro no visor

Código	Causa	Solução
E1	O sensor de temperatura ambiente (coberto de resina) está aberto ou funciona mal devido a um curto-circuito.	Verificar se o sensor de temperatura ambiente está devidamente ligado ao PCB
		Substituir o sensor de temperatura ambiente.
		Substituir o PCB principal.
E2	O sensor do sistema de refrigeração (coberto de cobre) está aberto ou funciona mal devido a um curto-circuito.	O nível de humidade está abaixo dos 40% de humidade relativa.
		Verificar se o sensor está devidamente ligado ao PCB.
		Substituir sensor
		Substituir o PCB principal.



## INDHOLD

1...	<b>VIRKNING</b>
2...	<b>BELIGGENHED</b>
3...	<b>ANBEFALINGER FØR BRUG</b>
4...	<b>BESTANDSDELE</b>
5...	<b>BETJENINGSPANEL</b>
6...	<b>BORTLEDNING AF VAND</b>
7...	<b>PLEJE OG VEDLIGEHOLDELSE</b>
8...	<b>FEJLFINDING</b>

**INDEN DE BRUGER DETTE APPARAT SKAL DE LÆSE OMHYGGELIGT INSTRUKTIONEN OG HOLDE DEN TIL SENERE BRUG.**

### ►► 1. VIRKNING

Dette produkt bruges til lufttørring. Den styrer den relative fugtighed ved at sende luft gennem apparatet, hvilket fører til overdreven kondens på køleelementer. Kontakt med kolde overflader forårsager kondensering af fugtighed i luften. Derefter kan kondensvandet sikkert udledes i vandbeholderen. Den tørrede luft passerer gennem kondensatoren, hvor den bliver lidt opvarmet, og derefter indført i rummet og dens temperatur er steget en smule.

#### ► FIG. 1

1. afløb af tørt luft,
2. kondensator,
3. fordamper,
4. indløb af fugtig luft,
5. vandbeholder,
6. kompressor
7. motor
8. ventilatorrotor

### ►► 2. BELIGGENHED

Overskydende fugt vil sprede over hele huset på samme måde som duften under tilberedningen spreder rundt i lokalet. Af denne grund bør affugteren placeres sådan, så den kan hente den fugtige luft fra hele huset.

Alternativt, hvis et pågældende sted vil være problematisk, er det muligt at placere affugteren nær det sted, og derefter overføre den til et mere centralt punkt.

På tidspunktet for fastsættelsen af affugteren, sørg for, at det er placeret på en lige overflade, og på hver side af apparatet skal der være 10 cm (4 ") afstand for at muliggøre en effektiv luftstrømning.

Denne affugter er udstyret med hjul for at forbedre mobilitet. Hvis du ønsker at overflytte apparatet, skal det først slukkes og vandbeholderen bør fjernes.

Det anbefales ikke at bruge en forlængerledning, derfor skal du sørge for, at apparatet er placeret tæt nok til stikkontakten. Hvis du skal bruge en udvidelse, så sørg for, at diameteren på netledningen er mindst 1 mm<sup>2</sup>.

Under apparatets drift. Tørretumbleren, når det er nødvendigt, udvendige døre og vinduer skal lukkes for at sikre maksimal effektivitet.

### ►► 3. ANBEFALINGER FØR BRUG

#### BEMÆRK!

- Apparatet skal holdes i lodret position.
- Enheden skal stå i en time i stående stilling før tilslutning til lysnettet efter transport, eller hvornår det skulle vippe (f. eks. ved rengøring).
- Alle fremmede genstande skal holdes væk fra indløbet og afgang af luften.
- Strømforsyningen skal være i overensstemmelse med de specifikationer angivet på navnepladen på bagsiden af apparatet.
- Hvis ledningen er beskadiget, skal den udskiftes af en autoriseret service repræsentant (en person med passende kvalifikationer) for at undgå fare.
- Hvis apparatet skal tændes eller slukkes, brug aldrig stikket. Brug altid knappen på kontrolpanelet.
- Inden apparatet flyttes, skal det først deaktiveres og derefter vandbeholderen skal tømmes.
- Brug ikke aerosoler til orme eller andre brændbare rengøringsmidler.
- Under ingen omstændigheder hæld ikke eller sprøjt ikke vandet direkte på apparatet.
- **DETTE APPARAT ER IKKE BEREGNET TIL BRUG AF PERSONER (HERUNDER BØRN) MED NEDSAT FYSISK, SENSORISK ELLER MENTAL BEGAVELSE ELLER PERSONER UDEN ERFARING, SOM IKKE HAR VÆRET TRÆNET AF DEN RETTE PERSON, SOM HAR ANSFAR FOR DERES SIKKERHED. MAN SKAL SØRGE FOR, AT BØRN IKKE LEGE MED APPARATET.**

#### VIGTIGT!

Udstyret bør ikke anvendes ved stuetemperatur lavere end 5°C for at forhindre isdannelse på fordamperen.

### ►► 4. BESTANDSDELE

#### ► Frontside FIG. 2

1. Kontrolpanel
2. Baggrundsbelysning
3. Frontplade
4. Bagplade

#### ► Bagside FIG. 3

5. Luftklappe
6. Håndtag
7. Luftindløb / Filtre
8. Vandniveau-vindue
9. Vandbeholder

## ►► 5. BETJENINGSPANEL

### ► Betjeningspanel FIG. 4

1. Trykknop for fugtighedsindstilling
2. Kontrollampe for driftsmåde (kontinuerlig drift, fugtighed på 40%, 50%, 60%, 70%)
3. Temperatur-/fugtighedsdisplay
4. Kontrollampe for timerdrift
5. Trykknop for temperaturvisning
6. Kontrollampe for ioniser og TiO 2 (optionelle funktioner, afhængigt af den købte model)
7. Kontrollampe for TØRRER
8. Trykknop for TØRRER
9. Kontrollampe for høj ventilationshastighed
10. Trykknop for hastighed/ventilation
11. Kontrollampe for lav ventilationshastighed
12. Strømindikator
13. ON/OFF trykknop
14. Kontrollampe for "Fyldt Vandbeholder"
15. Trykknop for TIMER
16. Trykknop for ioniser og TiO 2 (optionelle funktioner, afhængigt af den købte model)

### ► Baggrundsbelysning:

Blåt lys – fugtighed i rummet er > 70%

Grønt lys – fugtighed i rummet er 50~70%

Rødt lys – fugtighed i rummet er < 50%

Blinkende rødt lys – alarm for fyldt vandbeholder.

### ► Betjening:

1. Tilslut enheden den rigtige netspænding. (Check venligst værdier for spænding/frekvens på enhedens mærkeplade)
2. Tryk på ON/OFF for at starte enheden. Kompressoren er sat i gang.
3. Tryk på knappen for fugtighedsindstilling for at vælge den ønskede driftsmåde: kontinuerlig drift, fugtighed på 40%, 50%, 60% eller 70%. Kontrollampe for den valgte værdi vil lyse.
4. Tryk på knappen hastighed/ventilation for at indstille en høj eller lav ventilationshastighed. Kontrollampe for den valgte værdi vil lyse.
5. Tryk på TIMER-knappen for at indstille den ønskede driftstid (1~24 timer). Efter tryk på TIMER-knappen vil displayets vindue vise den indstillede tid, frigiv knappen for ca. 8 sekunder og displayet vil vende til visning af fugtighed i rummet. Kompressoren vil stoppe automatisk når den indstillede tid er udløbet.
6. Ved tryk på „TEMP“-knappen vil displayet vise den aktuelle temperatur i rummet, frigiv knappen for ca. 8 sekunder og displayet vil vende til visning af fugtighed i rummet.
7. TØRRER funktion aktiverer ventilationens turbo driftsmåde, hvad betyder en vedvarende tørring af luftfugtighed; funktionen tillader at tørre vasketøj indendørs.
8. For at slukke for enheden tryk på ON/OFF knappen.
9. Forindstilling (PRE-SET) – ved at trykke på TIMER-knappen kan man programmere tidspunktet for enhedens start uden at aktivere andre funktioner (heller ikke ON/OFF trykknop). Hvis man eksempelvis indstiller timeren på '2' vil enheden automatisk starte efter 2 timer.

## ►► 6. BORTLEDNING AF VAND

Når vandbeholderen er fyldt med vand stopper kompressoren automatisk og kontrollampen for fyldt vandbeholder vil lyse rødt.

For at tage vandbeholderen ud træk den vinkelret ud fra enheden.

Efter tømning af vandbeholderen placer den igen på det sædvanlige sted. Vær sikker, at vandbeholderen er godt placeret, kontrollampen for fyldt vandbeholder vil slukke og affugteren bliver aktiveret.

Bemærk: er vandbeholderen ikke placeret rigtigt, vil kontrollampen for fyldt vandbeholder fortsat lyse rødt.

## KONTINUERLIG BORTLEDNING

Når affugteren bruges i meget høj luftfugtighed, skal vandbeholderen tømmes oftere. I den situation kan det være mere praktisk at indstille en kontinuerlig tømning af vandbeholderen ved at følge følgende procedure:

1. Tag vandbeholderen ud (Fig. 5).
2. Tilslut tømningsslangen til vandudløbet med en diameter på: 11 mm (tømningsslangen er ikke medleveret) (Fig. 6).
3. Vær sikker, at tømningsslangen er korrekt monteret og at vand kan løbe frit. Bemærk! I meget kolde vejrforhold er det nødvendigt at træffe foranstaltninger for at sikre tømningsslangen mod frysning.
4. Placer vandbeholderen på det sædvanlige sted.

## ►► 7. PLEJE OG VEDLIGEHOLDELSE

Apparatet skal altid være afbrudt fra el-nettet før rengøring.

### RENGØRING AF KASSE

For rengøring af apparatet brug en blød klud. Brug ikke flygtige kemikalier, rengøringsmidler, benzin, tøj, kemisk behandlet rensmidler, eller andre rengøringsløsninger. Hvert af disse stoffer kan beskadige apparatets kasse.

### RENGØRING AF FILTER

Denne model af affugter er forsynet med 2 filtertyper (FIG. 7):

#### 1. STØVFILTER

- Fjern filterholderen, tag filteret med aktivt kul ud.
- Rens filteret forsigtigt med anvendelse af støvsuger eller skyl det af under vandhane. Er filteret meget forurenet brug varmt vand med en lille mængde mildt vaskemiddel.
- Vær sikker, at filteret er tørt før det bruges igen.
- Filtret må ikke udsættes for direkte sollys.

2. AKTIV KULFILTER (til optagelse af støvpartikler suspenderet i luften samt begrænsning af bakterieformering). Aktiv kulfilter er placeret under støvfilteret, og er ikke afvaskelig. Aktiv kulfilters levetid er afhængig af omgivelserforhold på det sted, hvor filteret bruges. Filtret kontrolleres periodisk og udskiftes efter behov.

### OPBEVARING

Hvis apparatet ikke anvendes i en længere periode, sluk for det. Tag strømkablet og rens det. Vandbeholderen skal tømmes og tørres rent. Apparatet skal dækkes og opbevares på et sted, hvor det ikke udsættes for sollys.

## ►► 8. FEJLFINDING

### APPARATET VIRKER IKKE?

- Er apparatet tilsluttet til netværket?
- Er el-forsyningen i huset?
- Er rumtemperaturen på 5° C eller større end 35° C? Hvis ja, betyder det, at temperaturen ligger uden for områ-

det af apparatets arbejde.

- ▶ Tjek, om hygrostaten (eller ON / OFF- knappen) er tændt.
- ▶ Sørg for, at vandbeholderen er placeret korrekt på apparatet, og om den er fuld.
- ▶ Sørg for, at indløbet og udløbet af luften er ikke blokeret.

#### **APPARATET VIL IKKE ARBEJDE:**

- ▶ Er filteret støvet, beskidt?
- ▶ Er luftindløbet og afløbet blokeret?
- ▶ Er luftfugtigheden ikke for lav?

#### **APPARATETS YDEEVNE ER MEGET SVAG:**

- ▶ Har du åbnet for mange døre og vinduer?
- ▶ Er der noget i rummet, der fører til høj luftfugtighed?

#### **da APPARATET STØJER MEGET VED ARBEJDET:**

- ▶ Sørg for, at apparatet står på en flad overflade.

#### **UDSIVNING FRA APPARATET:**

- ▶ Sørg for, at apparatet er i god stand.
- ▶ Hvis muligheden for kontinuerlig dræning ikke anvendes, sørg for, at gummibælgen (nederst på apparatet) er på plads.

#### **Fejlkode på displayet**

Kode	Årsag	Afhjælpning
E1	Føler for omgivelsestemperatur (med følerhus i harpiks) er åben eller virker ukorrekt på grund af kortslutning.	Kontroller, at føleren for omgivelsestemperatur er korrekt tilsluttet printkortet.
		Udskift føleren for omgivelsestemperatur.
		Udskift hovedprintkortet.
E2	Føler for kølekreds (med følerhus i kobber) er åben eller virker ukorrekt på grund af kortslutning.	Luftfugtighedsniveau er under 40% af den relative luftfugtighed.
		Kontroller, at føleren er korrekt tilsluttet printkortet.
		Udskift føleren.
		Udskift hovedprintkortet.





# SISÄLTÖ

1...	<b>TOIMINTA</b>
2...	<b>SIJAINTI</b>
3...	<b>SUOSITUKSET ENNEN KÄYTTÖÖNOTTOA</b>
4...	<b>RAKENNE</b>
5...	<b>OHJAUS</b>
6...	<b>VEDENPOISTO</b>
7...	<b>PUHDISTUS JA HUOLTO</b>
8...	<b>VIANETSINTÄ</b>

**ENNEN LAITTEEN KÄYTTÖÖNOTTOA ON TUSTUTTAVA HUOLELLISESTI TÄHÄN KÄYTTÖ-OHJEESEEN JA SÄILYTETTÄVÄ SE TULEVAN KÄYTÖN VARALTA.**

fi

## ►► 1. TOIMINTA

Tämä tuote on tarkoitettu ilman kuivaamiseen. Se hallitsee suhteellista kosteutta johdattamalla ilmaa laitteen läpi, jolloin ylimääräinen kosteus tiivistyy sen jäädytys-elementteihin. Ilman kylmään pintaan koskettaessa siihen sisältyvä kosteus tiivistyy. Seuraavaksi näin tiivistynyt vesi johdetaan pois vesisäiliöön. Kuivattu ilma siirtyy kondensaattoriin, jossa se lämmitetään pienen verran ja palautetaan sisätilaan hieman kohotetulla lämpötilalla.

### ► FIG. 1

1. kuivan ilman poistoaukko
2. kondensaattori
3. haihdutin
4. kostean ilman tuloaukko
5. vesisäiliö
6. kompressori
7. moottori
8. tuulettimen roottori

## ►► 2. SIJAINTI

Ylimääräinen kosteus leviää koko talossa samalla tavalla kuin tuoksu ruoanlaittoaikana.

Näin ollen kuivainta on sijoitettava sellaiseen paikkaan, josta se voi ottaa

kosteaa ilmaa koko talosta. Vaihtoehtoisesti paikallisen kuivaustarpeen syntyessä kuivain voidaan sijoittaa ensin sen lähelle ja sitten siirtää keskeisemmälle paikalle.

Kuivaimen sijaintipaikkaa valittaessa on varmistettava, että paikan alusta on tasainen ja sen jokaiselta sivulta säilyy pienin 10 cm:n (4") väli tehokasta ilmanvirtausta varten.

Tämä kuivain on varustettu itseasettavalla pyörällä parempaa siirtomukavuutta varten.

Ennen laitteen siirtoa on se kytkettävä pois päältä ja sen vesisäiliö on tyhjennettävä.

Ei suositella käyttämään jatkojohtoja, joten varmista, että laitteen lähellä on pistorasia. Mikäli jatkojohdon käyttö ei ole vältettävissä, varmista, että johdon poikkipinta-ala on vähintään 1 mm<sup>2</sup>. Kuivaimen käyttöaikana ovet ja ikkunat on mahdollisuuksien mukaan suljettava mahdollisimman parhaan kuivaustehokkuuden saavuttamiseksi.

## ►► 3. SUOSITUKSET ENNEN KÄYTTÖÖNOTTOA

### HUOM!

- Laitteen tulee olla aina pystyasennossa;

- Ennen laitteen sähköverkkoon kytkemistä kuljetuksen tai kallistumisen jälkeen (esim. puhdistuksen yhteydessä) on laite jätettävä pystyasentoon yhden tunnin ajaksi;

- Kaikkia esineitä ja epäpuhtauksia on pidettävä pois ilman tulo- ja poistoaukkojen läheisyydessä;

- Virtalähteen tulee olla laitteen takaosassa olevan tyyppikilven mukainen;

- Sähköjohdon vaurioituessa on haettava valtuutetun huoltomiehen tai muun pätevän henkilön apua sen turvallisen vaihdon varmistamiseksi.

- laitetta ei saa kytkeä päälle ja pois päältä pistokkeen avulla. Tätä varten on aina käytettävä ohjauspaneelin kytkintä;

- ennen laitteen siirtoa on se ensin kytkettävä pois päältä ja tyhjennettävä vesisäiliö;

- ei saa käyttää tuholaismyrkkäjä tai muita tulenarkoja puhdistusaineita;

- ei millään saa kaataa tai ruiskuttaa vettä tai muita nesteitä laitteen päälle.

- LAITE EI OLE TARKOITETTU LASTEN TAI TAITAMATTOMIEN HENKILÖIDEN KÄYTTÖÖN. LAPSET EIVÄT SAA LEIKKIÄ LAITTEELLA.

### HUOM!

Laitetta ei saa käyttää alle 5°C:n lämpötilassa haihduttimen jäätyminen välttämiseksi.

## ►► 4. RAKENNE

- Etupuoli FIG. 2

1. Ohjauspaneeli
2. Taustavalo
3. Etulevy
4. Takalevy

- Takapuoli FIG. 3

5. Ilmaläppä
6. Kahva
7. Ilman tuloaukko/suodattimet
8. Vedentason asteikko
9. Vesisäiliö

## ►► 5. OHJAUS

- Näyttö FIG. 4:

1. Kosteusarvon asetuspainike
2. Asetusilmaisain (jatkuva, kosteusarvo 40%, 50%, 60%, 70%)
3. Lämpötilan/kosteusarvon näyttö
4. Ajastimen ilmaisain
5. Lämpötilan näyttöpainike

6. Ionisaattorin ja TiO<sub>2</sub>:n ilmaisin (mallinmukaiset lisävarusteet)
7. KUIVAIMEN ilmaisin
8. KUIVAIMEN painike
9. Korkean tuuletusnopeuden ilmaisin
10. Nopeus/ilmanvaihto
11. Matalan tuuletusnopeuden ilmaisin
12. Jännitteen ilmaisin
13. ON/OFF-painike (virransyöttö)
14. Maksimin vesitason ilmaisin
15. AJASTIN-painike
16. Ionisaattorin ja TiO<sub>2</sub>:n painike (mallinmukaiset lisävarusteet)

► Taustavalo:

Vaaleansininen valo – tilan kosteusarvo > 70%

Vihreä valo – tilan kosteusarvo 50-70%

Punainen valo – tilan kosteusarvo < 50%

Vilkkuva punainen valo – maksimi vesitaso

► Käyttö

1. Kytke laite pistorasiaan. (tarkista laitteen tyyppikilvestä ilmenevät jännite-/tajuusarvot).
2. Paina ON/OFF-kytkintä laitteen käynnistämiseksi. Kompressori käynnistyy.
3. Paina kosteusarvon asetuspainiketta (jatkuva, kosteusarvo 40%, 50%, 60%, 70%). Vastaavan arvon ilmaisin syttyy.
4. Paina tuuletusnopeuden painiketta matalan tai korkean tuuletustehon valitsemiseksi. Vastaavan arvon ilmaisin syttyy.
5. Paina AJASTIMEN painiketta laitteen toiminta-ajan asettamiseksi (1-24 tuntia). Tällöin näytölle tulee valittu aika. Kun jätät koskematta painikkeeseen 8 sekunnin ajan, laite näyttää edelleen tämänhetkistä kosteusarvoa. Laite sammuu asetetun ajan kuluttua.
6. TEMP-painike näyttää tämänhetkisen ympäristölämpötilan. Kun jätät koskematta siihen 8 sekunnin ajan, siirtyy näyttö takaisin tämänhetkisen kosketusarvon ikkunaan.
7. KUIVAIN-toiminto käynnistää tuuletusjärjestelmän turbo-toiminnon, joka aiheuttaa jatkuvan kosteuden poiston esim. pyykin kuivaamiseksi.
8. Laitteen sammuttamiseksi paina ON/OFF-painiketta.
9. Esiasetetun käynnistystoiminnon (PRE-SET) AJASTIN-painikkeen avulla voi muita toimintoja (myös ON/OFF-painiketta) käynnistämättä ohjelmoida koneen käynnistysaika. Kun esim. asetat ajastimen 2:ksi, käynnistyy laite automaattisesti 2 tunnin kuluttua.

►► 6. VEDENPOISTO

Kun vesisäiliö on täynnä, kompressori sammuu automaattisesti ja maksimin vesitason ilmaisin palaa punaisena.

Vesisäiliön irrottamiseksi, vedä se kohtisuorasti koneesta pois.

Tyhjennä vesisäiliö ja asenna se takaisin paikalleen. Varmista, että se on asetettu oikein, jolloin vesitason merkkivalo sammuu ja kuivain käynnistyy.

Huomioi, että vesisäiliön ollessa asennettu väärin, palaa maksimin vesitason valo punaisena.

**KIINTEÄ VEDENPOISTO**

Jos kuivainta käytetään hyvin kosteassa ympäristössä, vesisäiliötä joudutaan tyhjentämään useammin. Tällöin säiliöön on asennettava johto jatkuvaa tyhjentämistä varten

seuraavien ohjeiden mukaisesti:

1. Poista vesisäiliö (kuva 5).
2. Kytke vesijohto poistoaukkoon, jonka halkaisija on 11 mm (vesijohto ei kuulu toimitukseen) (kuva 6).
3. Varmista, että johto on kiinnitetty oikein ja vesi valuu esteettömästi. Huom! Hyvin matalissa lämpötiloissa johto on lisäksi suojattava jäätymiseltä.
4. Aseta vesisäiliö paikalleen.

►► 7. PUHDISTUS JA HUOLTO

Aina ennen huolto- ja puhdistustöiden aloittamista on laite kytkettävä irti sähköverkosta.

**RUNGON PUHDISTUS**

Laitteen puhdistuksessa käytä pehmeää kangasta.

Ei missään tapauksessa saa käyttää haihtuvia kemikaleja, bensiiniä, puhdistusaineita, kemiallisesti muutettuja kankaita tai muita puhdistusliuoksia, sillä ne voivat vaurioittaa laitteen kotelon.

**SUODATTIMEN PUHDISTUS**

Tämä kuivaimen malli on varustettu 2 suodatintyyppillä (FIG. 7):

1. PÖLYSUODATIN

- Irrota suodatin ja poista suodatin aktiivisella hiillillä.

- Puhdista suodatin imurilla tai huuhtelemalla sitä vesiastian avulla. Jos suodatin on hyvin likainen, käytä lämmintä vettä ja pientä miedon puhdistusaineen määrää.

- Varmista, että suodatin on täysin kuiva ennen sen uudelleen käyttämistä.

- Älä altista suodatinta suoralle auringonsäteilylle.

2. AKTIIVINEN HIILISUODATIN (sitoo ilmassa olevia pölyhiukkasia ja rajoittaa bakteerien lisääntymistä).

Aktiivinen hiilisuodatin sijaitsee pölysuodattimen takapuolella ja päinvastoin kuin pölysuodatin, se ei ole pesukelpoinen. Aktiivisen hiilisuodattimen kestävyys riippuu laitteen käyttöolosuhteista. Suodatinta on tarkastettava ajoittain ja tarvittaessa uusittava.

**SÄILYTYS**

Mikäli kuivainta ei käytetä pidempiaikaisesti, on se kytkettävä pois päältä. Sähköjohto on kytkettävä irti ja puhdistettava.

► Sen lisäksi vesisäiliö on tyhjennettävä ja pyyhittävä.

► Laite on peitettävä ja säilytettävä sellaisessa paikassa, jossa se ei joudu auringonsäteilylle alttiiksi.

►► 8. VIANETSINTÄ

**LAITE EI TOIMI:**

- Onko laite kytketty sähköverkkoon?
- Onko talon sähköasennus jännitteen alla?
- Onko huonelämpötila vähintään 35°C? Mikäli niin, se on laitteen käyttölämpötila-alueen ulkopuolella.
- Varmista, että kosteudensäädin (tai pääkytkin) on päällä.
- Varmista, että vesisäiliö on asetettu laitteeseen oikein ja se on täynnä.
- Varmista, ettei ilman tulo- ja poistoaukko ole estetty.

**LAITE ON PYSÄHTYNYT:**

- Onko suodatin pölyinen tai saastunut?
- Onko ilman tulo- ja poistoaukko estetty?
- Onko ympäristön kosteus laskenut liian alhaalle?

### LAITE EI TOIMI TEHOKKAASTI:

- ▶ Onko liian paljon avattuja ikkunoita ja ovia?
- ▶ Onko samassa tilassa kosteuden lähteitä?

### LAITE PITÄÄ KOVASTI ÄÄNTÄ:

- ▶ Tarkista, onko laite asetettu tasaiselle alustalle.

### LAITE VUOTAA:

- ▶ Varmista, että laite on hyvässä teknisessä kunnossa.
- ▶ Ellei käytetä kiinteää vedenpoistotoimintoa, on varmistettava, että laitteen alaosassa oleva
- ▶ kumitulppa on paikallaan.

### Näytön virheilomitus

Koodi	Syy	Ratkaisu
E1	Ympäristölämpötilan anturi (hartsisuojausella) on auki tai se toimii väärin oikosulun takia	Tarkista, onko ympäristölämpötilan anturi kytketty asianmukaisesti piirilevyyn.
		Vaihda ympäristölämpötilan anturi.
		Vaihda pääpiirilevy.
		Suhteellinen ilmankosteusarvo on alle 40%.
E2	Jäähdytysjärjestelmän anturi (kuperisuojausella) on auki tai se toimii väärin oikosulun takia	Tarkista, onko anturi kytketty asianmukaisesti piirilevyyn.
		Vaihda anturi.
		Vaihda pääpiirilevy.



## INNHALDSFORTEGNEL

1...	<b>VIRKEMÅTE</b>
2...	<b>PLASSERING</b>
3...	<b>FØR BRUK</b>
4...	<b>BESTANDDELER</b>
5...	<b>BETJENING</b>
6...	<b>DRENERING AV ANN</b>
7...	<b>RENGJØRING OG VEDLIKEHOLD</b>
8...	<b>FEILSØKING</b>

**VENNLIGST GJØR DEG KJENT MED DENNE BRUKSANVISNINGEN FØR DU BEGYNNER Å BRUKE MASKINEN OG OPPBEVAR DEN FOR FREMTIDIG BRUK.**

### ►► 1. VIRKEMÅTE

Apparatet skal brukes til lufttørrking. Det kontrollerer den relative fuktigheten i værelset – luften strømmer gjennom apparatet og den overskytende fuktigheten kondenserer på kjølelementene. Kontakten med en kald overflate forårsaker kondensering av fuktigheten i luften. Deretter blir det kondenserte vannet ført videre til vanntanken. Den avfuktede luften går gjennom kondensatoren, der den blir varmet opp, deretter er luften innblåst i værelset med en litt høyere temperatur.

#### ► FIG. 1

1. utblåsning av tørr luft
2. kondensator 3-fordamper
4. inntak av fuktig luft
5. vanntank
6. kompressor
7. motor
8. vifterotor

### ►► 2. PLASSERING

Fuktigheten i luften sprer seg overalt i hele huset, akkurat slik som lukter som oppstår ved koking. Av denne grunnen skal lufttørkeren plasseres slik at den kan ta inn fuktig luft fra hele huset. Alternativt, dersom fuktskader er stedlige, kan man plassere lufttørkeren i nærheten av et slikt sted og etter hvert kan man flytte den til en mer sentral plass.

Ved plassering av lufttørkeren skal man påse at den settes på et jevnt underlag og at det finnes 10 cm (4") fritt rom rundt apparatet. Dette er viktig for en effektiv luftgjennomstrømming.

Apparatet er utstyrt med selvjusterende hjul for å sikre bedre bevegelighet. Før apparatet skal flyttes, må man først slå det av og tømme vanntanken.

Det frarådes bruk av skjøteledning og med hensyn til dette skal man sjekke om apparatet befinner seg nært nok stikkontakten. Hvis det er nødvendig å bruke skjøteledning skal man påse at diameteren på ledningene er minst 1 mm<sup>2</sup>. Når apparatet er i drift, er det best at alle dører og vinduer er lukket – slik oppnås de beste avfuktingsresultater.

### ►► 3. FØR BRUK

#### OBS!

- apparatet skal til enhver tid stå i lodd;
- apparatet skal stå én time i lodd etter at det har blitt tilkoblet strøm etter apparatet har blitt flyttet og dersom det har stått i skråstilling (f.eks. ved rengjøring);
- pass på at det ikke er noen fremmede gjenstander i nærheten av luftinntaket og uttaket;
- spenningstilførselen må tilsvare nettspenningen som er oppgitt på apparatets merkeplate;
- dersom tilførselskabelen blir skadet, skal den bli byttet ut av en autorisert serviceperson (en person med faglig kompetanse);
- APPARATET SKAL IKKE BRUKES AV PERSONER (SÆRLIG BARN) SOM HAR FYSISKE, SENSORISKE ELLER PSYKISKE PROBLEMER OG HELLER IKKE AV PERSONER SOM IKKE HAR FÅTT NØDVENDIG OPP-LÆRING FRA EN SERTIFISERT PERSON. PASS PÅ AT BARN IKKE LEKER MED APPARATET.

#### VIKTIG !

For å forhindre at kjølestaven fryser, skal apparatet ikke brukes i værelser med temperatur lavere enn 5°C.

### ►► 4. BESTANDDELER

#### ► FIG. 2

1. Styrepanel
2. Bakgrunnbelysning
3. Frontplate
4. Bakplate

#### ► FIG. 3

5. Ventilasjonsklaffe
6. Håndtak
7. Luftinntak/Filtre
8. Seglasset for vannsnivå
9. Vanntank

### ►► 5. BETJENING

#### ► FIG. 4

1. Knapp til justering av fuktighet
2. Indikator av arbeidsmodus (kontinuerlig, fuktighet 40%, 50%, 60%, 70%)
3. Temperatur-/fuktighetsdisplay
4. Indikator av tidsklokke
5. Temperaturdisplay
6. Indikator av ioniserer og TiO 2 (valgfrie funksjoner av-

hengig av en kjøpt modell)

7. Indikator TØRKER

8. Knapp TØRKER

9. Indikator av høy hastighet på ventilasjon

10. Knapp hastighet/ventilasjon

11. Indikator av lav hastighet på ventilasjon

12. Indikator av forsyning

13. Knapp ON/OFF (forsyning)

14. Indikator av vannutfylling

15. Knapp KLOKKE

16. Knapp på ioniserer og TiO 2 (valgfrie funksjoner avhengig av en kjøpt modell)

► Bakgrunnbelysning:

Blålys – rommets fuktighet > 70%

Grønnlys – rommets fuktighet 50~70%

Rødlys – rommets fuktighet < 50%

Blinkende rødlys – alarm i tilfelle vannutfylling

► Betjening

1. Koble apparatet til en riktig forsyningskontakt. (Vennligst kontroller spenningsverdier/frekvenser på apparatets informasjonsskilt).

2. Trykk på knappen ON/OFF for å starte apparatet. Kompressoren begynner å virke.

3. Trykk på knappen for fuktighetsjustering for å velge arbeidsmodus: fast, fuktighetsnivå 40%, 50%, 60% eller 70%. En indikator som er aktuell for en gitt verdi begynner å lyse.

4. Trykk på knappen hastighet/ventilasjon for å innstille hastighet på ventilasjon – høy eller lav. En indikator som er aktuell for en gitt verdi begynner å lyse.

5. Trykk på knappen KLOKKE for å innstille en ønsket arbeidstid (1-24 timer). Når du trykker på knappen KLOKKE viser displayvinduet tid som er innstilt, slipp knappen for 8 sekunder for at vinduet går over til modus der det vises rommets fuktighet. Etter at et innstilt antall timer er gått, slukkes kompressoren automatisk.

6. Dersom du trykker knappen TEMP vises det rommets aktuelle temperatur, slipp knappen for 8 sekunder for at vinduet går over til modus der det vises rommets fuktighet.

7. Funksjon TØRKER slår på turbomodus på ventilasjonssystemet, noe som forårsaker kontinuerlig tørking av fuktighet i lufta, funksjonen gjør det mulig å tørke klesvask.

8. For å slukke apparatet, trykk på knappen ON/OFF.

9. Funksjon av tidlig oppstart (PRE-SET) ved hjelp av knapp KLOKKE uten å starte andre apparatets funksjoner (heller knappen ON/OFF), det er mulig å innstille apparatets oppstartstid, f.eks. setter du klokken på 2, startes apparatet automatisk etter 2 timer.

►► 6. DRENERING AV ANN

Når vanntanken er full, slukkes kompressoren automatisk for sikkerhets skyld, mens indikator for vannutfylling lyser med rødlys.

For å fjerne vanntanken, skyv den vinkelrett ut fra apparatet.

Etter å ha tømt vanntanken, sett den på plass. Kontroller om den sitter riktig, varsellyset for vannutfylling er da slukket og tørkeren slukkes.

Legg merke til at hvis tanken sitter feil, lyser utfyllingsindikatoren fortsatt med rødlys.

►► KONTINUERLIG DRENERING

Dersom tørkeren er brukt ved høy luftfuktighet, må vann-

tanken tømmes oftere. I et slikt tilfelle er det mye enklere å innstille kontinuerlig tømming av tanken. For å gjøre det, gjør følgende:

1. Fjern vanntanken (Fig. 5).

2. Koble vannledningen til uttaksåpning med diameter på: 11 mm (ledningen er ikke inkludert i sett med apparatet) (Fig. 6).

3. Kontroller om ledningen er festet på en riktig måte og om vann renner uten problemer. Varsel! I veldig lave temperaturer skal ledningen beskyttes også mot frysing.

4. Sett vanntanken tilbake på plass.

►► 7. RENSGJØRING OG VEDLIKEHOLD

Apparatet skal alltid frakobles strøm før det skal utføres vedlikeholdsarbeider eller rengjøring av apparatet.

RENGJØRING AV HUSET

Bruk en myk klut til rengjøring av apparatet.

Det er strengt forbudt med bruk av gasser, bensin, rengjøringsmidler, klær som har blitt kjemisk rensset og andre oppløsninger av rengjøringsmidler. Dette kan føre til skader i huset til apparatet.

RENGJØRING AV FILTERET

Denne modellen av tørkeren er utstyrt med to typer filtre (FIG. 7):

1. STØVFILTER

- Fjern feste på filteret, fjern filteret med aktivt kull.

- Rengjør filteret forsiktig ved hjelp av en støvsuger eller ved å skylle under vann/kran. Dersom filteret er veldig tilsusset, bruk varmt vann og et mildt rengjøringsmiddel.

- Kontroller om filteret er helt tørt før du bruker det igjen.

- Filteret skal ikke utsettes for direkte sollys.

2. AKTIVT KULLFILTER (til binding av støvpartikler i luften og til reduksjon av bakterieoppvekst).

Aktivt kullfilter ligger bak støvfilteret, og i motsetning til det, er kullfilteret ikke rengjørbar. Kullfilterets levetid kommer an på miljøforhold der apparatet er brukt. Filteret skal kontrolleres periodevis og skiftes ved behov.

OPPBEVARING

Dersom apparatet ikke skal brukes i en lengre tid skal det slås av. Trekk ut tilførselskabelen og rengjør den.

Vanntanken skal tømmes fullstendig og tørkes nøyaktig.

Apparatet skal tildekkes og oppbevares på et sted unna fra sollys.

►► 8. FEILSØKING

APPARATET VIRKER IKKE:

► Er apparatet tilkoblet strømmettet?

► Er det strøm i huset?

► Er romtemperaturen på 35°C eller høyere? Hvis ja, er apparatet ikke tilegnet til bruk i slike temperaturer.

► Sjekk at fuktighetsregulatoren (eller PÅ/AV-bryteren) er satt på.

► Sjekk om vanntanken er montert på riktig måte og om den ikke er full.

► Sjekk at luftinntaket og uttaket ikke er tett.

INGEN TØRKING:

► Er filteret skittent? Er det mye støv i filteret?

► Er luftinntaket og uttaket tett?

► Er fuktigheten i værelset ikke for lav?

### APPARATET VIRKER Å VÆRE LITE EFFEKTIVT:

- ▶ Er det for mange åpne dører og vinduer?
- ▶ Er det noe i rommet som øker fuktigheten?

### APPARATET LAGER FOR MYE STØY:

- ▶ Sjekk at apparatet står på en jevn overflate.

### DET LEKKER FRA APPARATET:

- ▶ Sjekk at apparatet er i god teknisk stand.
- ▶ Sjekk at blindlokket nede i apparatet er på sin plass (med mindre det brukes kontinuerlig drenering).

#### Feilkoder på displayet

Kode	Årsak	Løsning
E1	Omgivelsestemperatur sensor (innkapslet i harpiks) er åpen eller fungerer ikke riktig pga. kortslutning	Sjekk om omgivelsestemperatur sensor er riktig tilkoblet til kretskortet.
		Skift ut omgivelsestemperatur sensor
		Skift ut kretskortet.
		Luftfuktigheten er lavere enn 40% RF.
E2	Sensoren i kjølesystemet (innkapslet i kobber) er åpen eller fungerer ikke riktig pga. kortslutning	Sjekk om sensoren er riktig tilkoblet til kretskortet.
		Skift ut sensoren.
		Skift ut kretskortet.





## INNEHÅLL

1...	<b>FUNGERING</b>
2...	<b>PLACERING</b>
3...	<b>ANVISNINGAR FÖRE ANVÄNDNING</b>
4...	<b>DELAR</b>
5...	<b>DRIFT</b>
6...	<b>TÖMNING AV VATTEN</b>
7...	<b>RENGÖRING OCH UNDERHÅLL</b>
8...	<b>FELSÖKNING</b>

### **INNAN DU ANVÄNDER AVFUKTAREN LÄS BRUKSANVISNINGEN NOGGRANT OCH SPARA DEN FÖR FRAMTIDA BRUK.**

#### **►► 1. FUNGERING**

Produkten används för att torka luft. Den styr den relativa luftfuktigheten genom att dra in luften och passera den genom avfuktaren, vilket leder till att överflödigt fukt kondenseras på kylelement. Kontakt med den kalla ytan får fukten i luften att kondensera. Senare samlas kondensvattnet säkert upp och rinner ner i vattenbehållaren. Den avfuktade luften passerar genom kondensatorn, där det värms upp något och senare blåses den ut i rummet med en något förhöjd temperatur.

#### ► FIG. 1

1. luftutlopp, torr luft
2. kondensator 3-förångare
4. luftintag, fuktig luft
5. vattenbehållare
6. kompressor
7. motor
8. fläktimpeller

#### **►► 2. PLACERING**

Överflödigt fukt sprider sig i hela huset på samma sätt som matos. Av denna anledning ska avfuktaren placeras på en sådan plats att den kan dra in fuktiga luften från hela huset. Alternativt, om ett allvarligt problem på ett ställe, kan avfuktaren placeras så nära detta ställe som möjligt och sedan flyttas till en mer central plats.

När du placerar avfuktaren kontrollera att den står på en plan yta och att det finns 10 cm (4") utrymme på avfuktarens varje sida så att ett effektivt luftflöde blir möjligt. Den här avfuktaren är försedd med länkhjul för att lätt kunna förflyttas. Innan du flyttar avfuktaren, stäng av den och töm vattenbehållaren. Det rekommenderas inte att använda en förlängningssladd. Därför ska du kontrollera att avfuktaren placeras tillräckligt nära ett vägguttag. Om du ändå måste använda en förlängningssladd, se till att kabelnarean är åtminstone på 1 mm<sup>2</sup>. När luftavfuktare är igång bör ytterdörrar och fönster vara stängda, om det behövs, för största möjlig effektivitet.

#### **►► 3. ANVISNINGAR FÖRE ANVÄNDNING**

- avfuktaren bör alltid stå upprätt ;
- avfuktaren bör ställas upprätt i 1 timme innan du kopplar till strömmen efter transport och när avfuktaren har luftats (t.ex. vid rengöring);
- alla främmande föremål bör hållas borta från luftintag

eller luftutlopp;

- strömförsörjningen måste stämmas överens med specifikation angiven på tillverkningsskylten på avfuktarens baksida;
- om elkabeln är skadad måste den bytas av en auktoriserad servicerepresentant (kvalificerad person) för att undvika olyckor;
- använd aldrig stickkontakten för att starta eller stänga av luftavfuktaren. Använd alltid strömbrytaren på kontrollpanelen;
- innan du flyttar avfuktaren, stäng av den och töm vattenbehållaren;
- använd inte insektspray eller andra brandfarliga medel för rengöring;
- luftavfuktaren får under inga omständigheter hållas eller sprayas med vatten.
- APPARATEN ÄR INTE AVSEDD ATT ANVÄNDAS AV PERSONER (INKLUSIVE BARN) MED NEDSATT MOTORISK, SENSORISK ELLER PSYKISK FÖRMÅGA SAMT AV OERFARNA PERSONER SOM INTE HAR INSTRUERATS AV NÅGON SOM AVSVARAR FÖR DERAS SÄKERHET. SE TILL ATT BARN INTE LEKER MED APPARATEN.

#### **OBSERVERA!**

Använd inte avfuktaren vid rumstemperaturer under 5°C, för att undvika nedisning av förångaren.

#### **►► 4. DELAR**

- Front FIG. 2
  1. Styrpanel
  2. Belysning
  3. Frontpanel
  4. Bakpanel
- Bak FIG. 3
  5. Ventilation klaff
  6. Handtag
  7. Luftintag/Filter
  8. Fönster för vattennivå
  9. Vattenbehållare

#### **►► 5. DRIFT**

- FIG. 4
  1. Knappen för inställning av fuktighet
  2. Lägesindikator (kontinuerligt, fukt 40%, 50%, 60%, 70%)
  3. Visare för temperatur/fuktighet
  4. Visare för tidur
  5. Knappen för temperaturvisaren

6. Indikator för joniserare och TiO 2 (tillval beroende på modell)
7. Indikatorn TORKAREN
8. Knappen TORKAREN
9. Indikator för höghastighet av ventilationen
10. Knappen för hastighet/ventilation
11. Indikator för låghastighet av ventilationen
12. Strömindikatorn
13. Knappen ON/OFF (ström)
14. Indikator för "Vattenfyllning"
15. Knappen TIDUR
16. Knappen för joniserare och TiO 2 (tillval beroende på modell)

► Belysningsfunktion:

Ljusblått - rums luftfuktighet > 70%

Grönt - rums luftfuktighet 50~70%

Rött - rums luftfuktighet < 50%

Blinkande rött – varning för vattenfyllning

► Drift

1. Anslut enheten till rätt uttag. (Kontrollera värdet för spänning/frekvens på märkskylten).
2. Tryck in knappen ON/OFF för att starta enheten. Kompressorn kommer att starta.
3. Tryck in knappen för inställning av fuktigheten för att välja arbetsläge: kontinuerligt, fuktighetsnivå 40%, 50%, 60% eller 70%. Motsvarande indikator kommer att lysa för ett givet värde.
4. Tryck in knappen för hastighet/ventilation för att ställa in ventilationshastigheten till hög eller låg. Motsvarande indikator kommer att lysa för ett givet värde.
5. Tryck på CLOCK knappen för att ställa in önskad tid (1 ~ 24 timmar). Om du trycker på knappen TIDUR kommer displayen visa den valda tiden. Släpp för 8 sekunder och displayen kommer att visa igen fuktighet i utrymmet. Efter det angivna antalet timmar kompressorn att stängas av automatiskt.
6. Om man trycker på "TEMP" får man upp den aktuella temperaturen i utrymmet. Om man släpper knappen i 8 sekunder kommer fuktighetsnivån i utrymmet att visas igen.
7. Funktionen TORKAREN sätter igång ventilationssystemets turboläge vilket leder till konstant torkning av fuktighet i luften. Den funktionen låter torka tvätten.
8. För att stänga av enheten tryck in knappen ON/OFF.
9. Funktionen för tidigare start (PRE-SET) kan med hjälp av knappen TIDUR, utan att starta upp andra funktioner (även knappen ON/OFF) programmeras för att starta maskinen på ett visst tidslag. T.ex. om du ställer in klockan på '2' kommer maskinen att starta efter 2 timmar.

►► 6. TÖMNING AV VATTEN

Om vattenbehållaren blir fylld kommer kompressorn av säkerhetsskäl att stängas av automatiskt. Indikatorn för vattenfyllning kommer att lysa rött.

För att ta bort vattenbehållaren dra den rakt ut ur maskinen.

Sätt tillbaka vattenbehållaren på plats efter tömningen. Se till att den sitter rätt på plats. Indikator för vattenfyllning kommer att slockna och torkaren kommer igång.

Observera att om vattenbehållaren sitter fel kommer indikatorn för vattenfyllning lysa rött.

**KONTINUERLIG DRÄNERING**

Om torkaren används i utrymmen med en hög luftfuktighet måste vattenbehållaren tömmas oftare. I det läget är det bättre att ställa in konstant vattentömning. Detta gör man på följande sätt:

1. Ta bort vattenbehållaren (FIG. 5).
2. Koppla vattenslangen till utloppsöppningen med diametern: 11 mm (slangen medföljer ej) (FIG. 6).
3. Se till att slangen är rätt monterad och att vatten kan ledas bort utan hinder. Observera! Vid mycket låga temperaturer bör man även säkra slangen mot frost.
4. Placera vattenbehållaren på plats.

►► 7. RENGÖRING OCH UNDERHÅLL

Koppla alltid bort strömmen innan underhåll eller rengöring.

**RENGÖRING AV HÖLJET**

Använd en mjuk trasa att rengöra avfuktaren.

Du får under inga omständigheter använda flyktiga kemikalier, rengöringsmedel, bensin, kemiskt behandlade kläder eller andra rengöringsmedel. Alla dessa ämnen kan skada höljet.

**RENGÖRING AV FILTER**

Denna torkmodellen är utrustad med 2 typer av filter (FIG. 7):

1. DAMMFILTER

- Ta bort filterhuset, ta bort filter med aktivt kol.
- Rengör försiktigt filtret med en dammsugare eller skölj med vatten. Om filtret är mycket smutsigt använd varmt vatten och en liten mängd mildt rengöringsmedel.
- Se till att filtret är helt torrt innan det används igen.
- Utsätt inte filtret för direkt solljus.

2. AKTIVT KOLFILTER (för bindning dammpartiklar som finns i luften och för att minska spridningen av bakterier). Det aktiva kolfiltret är placerat bakom dammfiltret och är inte tvättbar. Hållbarheten av kolfiltret beror på miljöförhållandena på platsen där enheten används. Filtret bör kontrolleras regelbundet och bytas ut vid behov.

**FÖRVARING**

Om avfuktaren inte används under en längre tid, ska den stängas av. Dra ut stickkontakten ur vägguttaget och rengör den.

Töm och torka rent vattenbehållaren. Täck avfuktaren och förvara den på en sådan plats, där den inte utsätts för solljus.

►► 8. FELSÖKNING

**AVFUKTAREN FUNGERAR INTE:**

- Är avfuktaren kopplad till strömmen?
- Finns det ström i vägguttaget?
- Är rumstemperatur lika med eller högre än 35°C? Om temperaturen överstiger 35 °C, ligger den utanför avfuktarens arbetsområde.
- Kontrollera att hygrostaten (eller knappen „ON/OFF”) är på.
- Kontrollera att vattenbehållaren sitter som den ska i avfuktaren och att den inte är full.
- Kontrollera att luftintaget och luftutloppet inte är blockerade.

### AVFUKTAREN VERKAR INTE FUNGERA:

- ▶ Är filtret dammigt, smutsigt?
- ▶ Är luftintaget och luftutloppet blockerade?
- ▶ Är omgivande luftfuktighet inte redan för låg?

### AVFUKTAREN VERKAR FUNGERA INEFFEKTIVT:

- ▶ Är för många dörrar och fönster öppna?
- ▶ Finns det något i rummet som orsakar hög luftfuktighet?

### AVFUKTAREN ÄR ALLTFÖR HÖGLJUDD:

- ▶ Kontrollera att avfuktaren står på en plan yta.

### AVFUKTAREN LÄCKER:

- ▶ Kontrollera att avfuktaren är i gott skick.
- ▶ Om du inte använder möjligheten till kontinuerlig dränering, kontrollera att pluggen (längst ner på avfuktaren) är på sin plats.

#### Felkoder i displayen

Kod	Orsak	Lösning
E1	Sensorn för den omgivande temperaturen (fylld med kåda) är i öppet läge eller fungerar felaktigt på grund av kortslutning	Kontrollera om sensorn för den omgivande temperaturen är korrekt ansluten till kretskortet.
		Byt ut sensorn för den omgivande temperaturen.
		Byt ut huvudkortet.
		Luftfuktighetsnivå är under 40% av den relativa fuktigheten.
E2	Sensorn för kylsystemet (med koparskydd) är i öppet läge eller fungerar felaktigt på grund av kortslutning	Kontrollera om sensorn är korrekt ansluten till kretskortet.
		Byt ut sensorn.
		Byt ut huvudkortet.



# INSTRUKCJA OBSŁUGI

1...	<b>DZIAŁANIE</b>
2...	<b>UMIEJSCOWIENIE</b>
3...	<b>ZALECENIA PRZED UŻYCIEM URZĄDZENIA</b>
4...	<b>CZĘŚCI</b>
5...	<b>OBSŁUGA</b>
6...	<b>ODPROWADZENIE WODY</b>
7...	<b>CZYSZCZENIE I KONSERWACJA</b>
8...	<b>WYKRYWANIE USTEREK</b>

**PRZED UŻYCIEM NINIEJSZEGO URZĄDZENIA NALEŻY DOKŁADNIE ZAPOZNAĆ SIĘ Z INSTRUKCJĄ I ZACHOWAĆ JĄ DO WYKORZYSTANIA W PRZYSZŁOŚCI.**

## ►► 1. DZIAŁANIE

Niniejszy produkt służy do osuszania powietrza. Kontroluje on wilgotność względną poprzez przepuszczenie powietrza przez urządzenie, doprowadzając do skraplania się nadmiaru wilgoci na elementach chłodzących. Kontakt z zimną powierzchnią powoduje skraplanie się wilgoci w powietrzu. Następnie skroplona woda zostaje bezpiecznie odprowadzona do zbiornika wody. Wysuszone powietrze przechodzi przez skraplacz, w którym zostaje nieznacznie ogrzane, a następnie ponownie zostaje wprowadzone do pomieszczenia, przy czym jego temperatura jest nieznacznie podwyższona.

### ► FIG. 1

1. wylot suchego powietrza,
2. skraplacz,
3. parownik,
4. wlot wilgotnego powietrza,
5. zbiornik wodny,
6. kompresor
7. silnik
8. wirnik wentylatora

## ►► 2. UMIEJSCOWIENIE

Nadmiar wilgoci będzie rozprzestrzeniać się po całym domu w takim sam sposób jak zapach w czasie gotowania roznosi się po pomieszczeniu. Z tego powodu, osuszacz powinien być umieszczony tak, by mógł pobierać wilgotne powietrze z całego domu.

Opcjonalnie, jeśli w jednym miejscu pojawi się poważny problem, możliwe jest umieszczenie osuszacza w pobliżu tego miejsca, a następnie przeniesienie go w bardziej centralny punkt.

W czasie ustawiania osuszacza, należy upewnić się, że jest on umieszczony na równej powierzchni oraz, że z każdej strony urządzenia jest 10 cm (4") przestrzeni, aby umożliwić wydajny przepływ powietrza.

Niniejszy osuszacz wyposażony jest w kółka samonastawne, aby zapewnić jego lepszą mobilność. W momencie przemieszczania urządzenia, należy je przedtem wyłączyć, natomiast zbiornik z wodą należy opróżnić.

Nie zaleca się używania przedłużacza, w związku z tym należy upewnić się, że urządzenie znajduje się dostatecznie blisko zamocowanego gniazdka. W razie konieczności użycia przedłużacza, należy upewnić się, że średnica,

przewodów kabla wynosi co najmniej 1 mm<sup>2</sup>.

W czasie pracy osuszacza, w razie konieczności drzwi zewnętrzne i okna powinny być zamknięte, aby zapewnić jak największą wydajność urządzenia.

## ►► 3. ZALECENIA PRZED UŻYCIEM

### UWAGA!

► Urządzenie musi zawsze znajdować się w pozycji pionowej.

► Urządzenie należy pozostawić na jedną godzinę w pozycji stojącej przed podłączeniem do sieci zasilającej po przetransportowaniu lub gdy zostało przechylone (np. podczas czyszczenia).

► Wszelkie ciała obce należy trzymać z dala od otworów wlotowych i wylotowych powietrza.

► Zasilanie elektryczne musi być zgodne ze specyfikacją wskazaną na tabliczce znamionowej z tyłu urządzenia.

► Jeżeli kabel zasilający jest uszkodzony, musi on zostać wymieniony przez autoryzowanego przedstawiciela serwisu (osobę o odpowiednich kwalifikacjach), aby uniknąć zagrożenia.

► Do załączenia i wyłączenia urządzenia, w żadnym wypadku nie należy używać wtyczki. Zawsze należy używać włącznika na panelu sterowniczym.

► Przed przemieszczeniem urządzenia, należy je najpierw wyłączyć, a następnie opróżnić zbiornik z wodą.

► Nie należy stosować aerozoli na robaki lub innych łatwopalnych środków czyszczących.

► W żadnym wypadku urządzenia nie wolno polewać lub spryskiwać wodą.

► NINIEJSZY SPRZĘT NIE JEST PRZEZNACZONY DO UŻYTKOWANIA PRZEZ OSOBY (W TYM DZIECI) O OGRANICZONEJ ZDOLNOŚCI FIZYCZNEJ, CZUCIOWEJ LUB PSYCHICZNEJ, LUB OSOBY NIE MAJĄCE DOŚWIADCZENIA LUB ZNAJOMOŚCI SPRZĘTU, CHYBA ŻE ODBYWA SIĘ TO POD NADZOREM LUB ZGODNIE Z INSTRUKCJĄ UŻYTKOWANIA SPRZĘTU, PRZEKAZANEJ PRZEZ OSOBY ODPOWIADAJĄCE ZA ICH BEZPIECZEŃSTWO.

### WAŻNE!

Urządzenia nie należy używać w temperaturze pokojowej niższej niż 5°C, aby uniemożliwić oblodzenie węzownika parownicy.

## ►► 4. CZĘŚCI

► Pród FIG. 2

1. Panel sterowania
2. Podświetlenie
3. Płyta przednia

#### 4. Płyta tylna

- ▶ Tył FIG. 3
- 5. Kłapa wentylacyjna
- 6. Uchwyt
- 7. Wlot powietrza / Filtry
- 8. Okno poziomu wody
- 9. Zbiornik wody

#### ▶▶ 5. OBSŁUGA

- ▶ Panel sterowniczy FIG. 4
- 1. Przycisk ustawienia wilgotności
- 2. Wskaźnik trybu pracy (ciągła, wilgotność 40%, 50%, 60%, 70%)
- 3. Wyświetlacz temperatury/wilgotności
- 4. Wskaźnik pracy zegara czasowego
- 5. Przycisk wyświetlenia temperatury
- 6. Wskaźnik jonizatora oraz TiO 2 (funkcje opcjonalne w zależności od zakupionego modelu)
- 7. Wskaźnik OSUSZACZ
- 8. Przycisk OSUSZACZ
- 9. Wskaźnik wysokiej prędkości wentylacji
- 10. Przycisk prędkość/wentylacja
- 11. Wskaźnik niskiej prędkości wentylacji
- 12. Wskaźnik zasilania
- 13. Przycisk ON/OFF (zasilanie)
- 14. Wskaźnik „Wypełnienia Wodą”
- 15. Przycisk ZEGAR
- 16. Przycisk jonizatora oraz TiO 2 (funkcje opcjonalne w zależności od zakupionego modelu)

#### ▶ Funkcja podświetlenia:

- Światło błękitne – wilgotność pomieszczenia > 70%
- Światło zielone – wilgotność pomieszczenia 50~70%
- Światło czerwone – wilgotność pomieszczenia < 50%
- Migające światło czerwone – alarm wypełnienia wodą

#### ▶ Praca

1. Podłącz urządzenie do właściwego gniazda zasilającego. (Proszę sprawdzić wartości napięcia/częstotliwości na tabliczce znamionowej urządzenia).
2. Naciśnij przycisk ON/OFF aby uruchomić urządzenie. Sprężarka zacznie działać.
3. Naciśnij przycisk ustawienia wilgotności aby wybrać tryb pracy: stały, poziom wilgotności 40%, 50%, 60% lub 70%. Zaświeci się odpowiedni wskaźnik dla danej wartości.
4. Naciśnij przycisk prędkość/wentylacja by ustawić prędkość wentylacji na wysoką lub niską. Zaświeci się odpowiedni wskaźnik dla danej wartości.
5. Naciśnij przycisk ZEGAR, aby ustawić oczekiwany czas pracy (1~24 godziny) Okienko wyświetlacza wskaże aktualnie wybrany czas, naciśnij przycisk ZEGAR aby zmienić godzinę, zwolnij na 8 sekund aby okienko wróciło do trybu wyświetlania wilgotności pomieszczenia. Po upływie wskazanej liczby godzin, sprężarka automatycznie wyłączy się.
6. Przycisk „TEMP” spowoduje wyświetlenie aktualnej temperatury w pomieszczeniu, zwolnij na 8 sekund aby okienko wróciło do trybu wyświetlania wilgotności pomieszczenia.
7. Funkcja OSUSZACZ włącza tryb turbo układu wentylacji, co powoduje stałe osuszanie wilgoci w powietrzu, funkcja ta pozwala na suszenie prania.
8. Aby wyłączyć urządzenie, naciśnij przycisk ON/OFF.
9. Funkcja wczesnego włączenia (PRE-SET), za pomocą

przycisku ZEGAR bez uruchamiania żadnych innych funkcji urządzenia (także przycisku ON/OFF), można zaprogramować czas włączenia maszyny/ Na przykład, jeśli ustawisz zegar na '2', urządzenie uruchomi się automatycznie po 2 godzinach.

#### ▶▶ 6. ODPROWADZENIE WODY

Gdy zbiornik wody jest wypełniony, sprężarka wyłączy się samoczynnie dla bezpieczeństwa, a wskaźnik wypełnienia wodą zaświeci się na czerwono.

Aby usunąć zbiornik wody, wysuń go prostopadle z urządzenia.

Po opróżnieniu zbiornika wody, umieść go z powrotem na jego miejscu. Upewnij się, że jest on właściwie umieszczony, wtedy kontrolka zapelnienia wodą zgaśnie i osuszacz włączy się.

Zauważ, że jeśli zbiornik nie zostanie prawidłowo włożony, wskaźnik zapelnienia wciąż będzie się świecił na czerwono.

#### CIĄGŁE ODPROWADZENIE

Jeśli osuszacz jest użytkowany w warunkach wysokiej wilgotności powietrza, zbiornik wody wymagać będzie częstszego opróżniania. W takiej sytuacji znacznie wygodniej jest ustawić ciągłe opróżnianie zbiornika, w tym celu należy wykonać następujące czynności:

1. Usuń zbiornik wody (FIG. 5).
2. Podłącz przewód na wodę do otworu wylotowego o średnicy: 11 mm (przewód nie jest dostarczony w komplecie z urządzeniem) (FIG. 6).
3. Upewnij się, że przewód jest właściwie przymocowany i woda ścieka bez przeszkód. Uwaga! W bardzo niskich temperaturach należy dodatkowo zabezpieczyć przewód przed wypadnięciem.
4. Umieść zbiornik wody na jego miejscu.

#### ▶▶ 7. CZYSZCZENIE I KONSERWACJA

Przed wykonaniem konserwacji lub czyszczenia urządzenia należy je zawsze odłączać od sieci zasilającej.

#### CZYSZCZENIE KORPUSU

Aby oczyścić urządzenie, należy użyć miękkiej szmatki. W żadnym wypadku nie należy używać lotnych substancji chemicznych, detergentów, benzyny, ubrań poddanych obróbce chemicznej, lub innych roztworów czyszczących. Każda z tych substancji może uszkodzić obudowę urządzenia.

#### CZYSZCZENIE FILTRA

Ten model osuszacza wyposażony jest w 2 rodzaje filtrów (FIG. 7):

##### 1. FILTR PRZECIWPYŁOWY

- Zdejmij mocowanie filtra, usuń filtr z aktywnym węglem.
- Delikatnie oczyść filtr za pomocą odkurzacza lub splukując pod kranem. Jeśli filtr jest bardzo zabrudzony, użyj ciepłej wody i niewielkiej ilości siły.
- Upewnij się, że filtr jest zupełnie suchy przed jego ponownym użyciem.
- Nie należy wystawiać filtra na działanie bezpośredniego światła słonecznego.

2. AKTYWNY FILTR WĘGLOWY (do wiązania cząstek kurzu zawierzonych w powietrzu oraz ograniczania namnażania się bakterii).

Aktywny filtr węglowy znajduje się za filtrem przeciwpyłowym,



w przeciwieństwie do niego, nie jest on zmywalny. Trwałość filtra węglowego zależy od warunków środowiskowych w miejscu, gdzie używane jest urządzenie. Filtr należy okresowo sprawdzać i wymieniać w razie potrzeby.

### PRZECHOWYWANIE

Jeżeli urządzenie nie jest używane przez dłuższy okres czasu, należy je wyłączyć. Kabel zasilający należy odłączyć i oczyścić:

- ▶ Należy całkowicie opróżnić zbiornik wodny i wytrzeć do czysta.
- ▶ Urządzenie należy przykryć i przechowywać w miejscu, w którym nie będzie narażone na promienie słoneczne.

### ▶▶ 8. WYKRYWANIE USTEREK

#### URZĄDZENIE NIE DZIAŁA:

- ▶ Czy urządzenie jest podłączone do sieci?
- ▶ Czy włączona jest elektryczność w domu?
- ▶ Czy temperatura pokojowa wynosi 5°C lub więcej niż 35°C? Jeżeli tak, to jest to temperatura poza zakresem roboczym urządzenia.
- ▶ Należy upewnić się czy humidostat (lub przełącznik ON/OFF) jest załączony.
- ▶ Należy sprawdzić czy zbiornik wodny jest umiejscowiony prawidłowo w urządzeniu i czy nie jest pełny.
- ▶ Należy upewnić się, że wlot i wylot powietrza nie są zablokowane.

#### URZĄDZENIE WYDAJE SIĘ NIE PRACOWAĆ:

- ▶ Czy filtr jest zapyłony, zabrudzony?
- ▶ Czy wlot powietrza i wylot są zablokowane?
- ▶ Czy wilgotność otoczenia nie jest już zbyt niska?

#### URZĄDZENIE WYDAJE SIĘ PRACOWAĆ NIEWYDAJNIE:

- ▶ Czy otwartych jest zbyt wiele drzwi i okien?
- ▶ Czy w pomieszczeniu jest coś, co wywołuje dużą wilgotność?

#### URZĄDZENIE JEST ZBYT HAŁĄŚLIWE:

- ▶ Należy sprawdzić czy urządzenie stoi na równej powierzchni

#### URZĄDZENIE PRZECIEKA:

- ▶ Należy upewnić się, że urządzenie jest w dobrym stanie technicznym.
- ▶ Jeżeli opcja ciągłego odprowadzania wody nie jest wykorzystywana, należy upewnić się, że gumowa zaśleпка (na dole urządzenia) jest na swoim miejscu,

### Kody błędów na wyświetlaczu

Kod	Przyczyna	Rozwiązanie
E1	Czujnik temperatury otoczenia (z osłoną z żywicy) jest otwarty lub działa nieprawidłowo w wyniku zwarcia	Sprawdzić czy czujnik temperatury otoczenia jest prawidłowo podłączony do płytki drukowanej.
		Wymienić czujnik temperatury otoczenia.
		Wymienić główną płytkę drukowaną.
		Poziom wilgotności powietrza jest poniżej 40% wilgotności względnej.
E2	Czujnik układu chłodniczego (z osłoną miedzianą) jest otwarty lub działa nieprawidłowo w wyniku zwarcia	Sprawdzić czy czujnik jest prawidłowo podłączony do płytki drukowanej.
		Wymienić czujnik.
		Wymienić główną płytkę drukowaną.



## СОДЕРЖАНИЕ

1...	<b>ПРИНЦИП ДЕЙСТВИЯ</b>
2...	<b>РАСПОЛОЖЕНИЕ</b>
3...	<b>РЕКОМЕНДАЦИИ ПЕРЕД ПРИМЕНЕНИЕМ</b>
4...	<b>ЧАСТИ</b>
5...	<b>ОБСЛУЖИВАНИЕ</b>
6...	<b>ОТВОД ВОДЫ</b>
7...	<b>ТЕХОБСЛУЖИВАНИЕ И СОДЕРЖАНИЕ</b>
8...	<b>ОБНАРУЖЕНИЕ НЕИСПРАВНОСТЕЙ</b>

**ПЕРЕД ПРИМЕНЕНИЕМ ДАННОГО ОБОРУДОВАНИЯ СЛЕДУЕТ ВНИМАТЕЛЬНО ИЗУЧИТЬ ДАННУЮ ИНСТРУКЦИЮ И СОХРАНИТЬ ЕЕ С ЦЕЛЬЮ ДАЛЬНЕЙШЕГО ИСПОЛЬЗОВАНИЯ.**

### ►► 1. ПРИНЦИП ДЕЙСТВИЯ

Данное оборудование предназначено для осушения воздуха. При прохождении воздуха через осушитель, контролируется его относительная влажность, а на охлаждающих элементах конденсируется избыточная влажность. Контакт с холодной поверхностью приводит к конденсации паров воды в воздухе. Далее сконденсированная вода безопасным способом отводится в резервуар для воды. Осушенный воздух проходит через конденсатор, в котором он незначительно подогревается, а далее опять попадает в помещение, причем его температура на выходе немного повышается.

#### ► FIG. 1

1. СУХОЙ ТЕПЛЫЙ ВОЗДУХ,
2. КОНДЕНСАТОР,
3. ИСПАРИТЕЛЬ,
4. ВОЗДУХ, НАСЫЩЕННЫЙ ВЛАЖНОСТЬЮ,
5. РЕЗЕРВУАР ДЛЯ ВОДЫ,
6. КОМПРЕССОР,
7. ДВИГАТЕЛЬ
8. РОТОР ВЕНТИЛЯТОРА

### ►► 2. РАСПОЛОЖЕНИЕ

Избыток влажности распространится по всему помещению таким же образом, как запах во время приготовления. Поэтому, осушитель должен быть расположен так, чтобы поглощать влажность со всего помещения.

Если в одном месте появится повышенная потребность поглощения влажности, осушитель можно установить вблизи этого места, а позже переставить его в центр помещения.

Во время установки осушителя, следует убедиться, что он расположен на ровной поверхности, а также в том, что с каждой стороны прибора есть 10 см (4") пространства для обеспечения эффективного потока воздуха.

Данный осушитель имеет самоустанавливающиеся колеса, чтобы обеспечить его лучшую мобильность. Перед перемещением прибора, его следует выключить, а резервуар для воды опорожнить.

Не рекомендуется использовать удлинитель, в связи

с этим следует убедиться, что прибор находится достаточно близко от электрического гнезда. В случае необходимости использования удлинителя, следует убедиться, что диаметр проводов составляет не менее 1 мм<sup>2</sup>.

Во время работы осушителя, в случае необходимости внешние двери и окна должны быть закрыты, чтобы обеспечить максимальную эффективность прибора.

### ►► 3. РЕКОМЕНДАЦИИ ПЕРЕД ПРИМЕНЕНИЕМ

#### **ВНИМАНИЕ!**

► Осушитель должен находиться в вертикальном положении.

► После транспортировки или в случае наклона (например, во время очистки) осушитель следует оставить на один час в вертикальном положении перед подключением к сети питания.

► Все посторонние предметы следует хранить вдали от входных и выходных отверстий воздуха.

► Электропитание должно соответствовать спецификации, указанной на информационном щитке на задней стенке прибора.

► Если провод питания поврежден, во избежание угрозы его должен заменить авторизованный представитель сервисного обслуживания или лицо с соответствующими квалификациями.

► Для включения и выключения прибора, ни в коем случае не следует пользоваться штепсельной вилкой. Всегда следует пользоваться выключателем на панели управления.

► Перед перемещением прибора, его следует сначала выключить и опорожнить резервуар для воды.

► Не следует применять аэрозолей и других легковоспламеняющихся чистящих средств.

► Ни в коем случае прибор нельзя поливать или обрызгивать водой.

► **ДАННОЕ ОБОРУДОВАНИЕ НЕ МОЖЕТ ОБСЛУЖИВАТЬСЯ ЛИЦАМИ(ВКЛЮЧАЯ ДЕТЕЙ) С ОГРАНИЧЕННЫМИ ФИЗИЧЕСКИМИ, РЕЦЕПТОРНЫМИ ИЛИ УМСТВЕННЫМИ СПОСОБНОСТЯМИ, ЛИБО ЛИЦАМИ, НЕ ИМЕЮЩИМИ НЕОБХОДИМОГО ОПЫТА И НЕ ПРОШЕДШИМИ СПЕЦИАЛЬНОГО ОБУЧЕНИЯ У ЛИЦ, НЕСУЩИХ ОТВЕТСТВЕННОСТЬ ЗА ИХ БЕЗОПАСНОСТЬ. СЛЕДУЕТ СЛЕДИТЬ ЗА ТЕМ, ЧТОБЫ ДЕТИ НЕ ИГРАЛИ С ОБОРУДОВАНИЕМ.**

## **ВАЖНО!**

Прибором не следует пользоваться при температуре ниже 5°C, чтобы исключить оледенение испарителя.

### **►► 4. ЧАСТИ**

#### **► Передняя часть FIG. 2**

1. Панель управления
2. Подсветка
3. Передняя панель
4. Задняя панель

#### **► Задняя часть FIG. 3**

5. Вентиляционный клапан
6. Ручка
7. Вход воздуха / Фильтры
8. Окно регулирования уровня воды
9. Резервуар для воды

### **►► 5. ОБСЛУЖИВАНИЕ**

#### **► Панель управления FIG. 4**

1. Кнопка настройки уровня влажности
2. Индикатор режима работы (непрерывный, влажность 40%, 50%, 60%, 70%)
3. Дисплей температуры/влажности
4. Индикатор работы таймера
5. Кнопка индикации температуры
6. Индикатор ионизатора и TiO<sub>2</sub> (опциональные функции, в зависимости от приобретенной модели)
7. Индикатор ОСУШИТЕЛЬ ВОЗДУХА
8. Кнопка ОСУШИТЕЛЬ ВОЗДУХА
9. Индикатор высокой скорости вращения вентилятора
10. Кнопка скорость/вентиляция
11. Индикатор низкой скорости вращения вентилятора
12. Индикатор питания
13. Кнопка ON/OFF (питание)
14. Индикатор «Уровень заполнения водой»
15. кнопка ВРЕМЯ
16. Кнопка ионизатора и TiO<sub>2</sub> (опциональные функции в зависимости от приобретенной модели)

#### **► Функция подсветки:**

Синий свет – влажность помещения > 70%

Зеленый свет – влажность помещения 50~70%

Красный свет – влажность помещения < 50%

Мигающий красный свет – сигнал, информирующий о наличии воды в резервуаре.

#### **► Обслуживание**

1. Подключите устройство к соответствующей сети питания. (Необходимо проверить напряжение/частоту на заводской табличке прибора).
2. Нажмите кнопку ON/OFF, чтобы включить устройство. Компрессор начнет работать.
3. Нажмите кнопку настройки уровня влажности, чтобы выбрать режим работы: непрерывный, уровень влажности 40%, 50%, 60% или 70%. Загорится соответствующий индикатор для данного значения.
4. Нажмите кнопку скорость/вентиляция, чтобы выбрать высокую или низкую скорость вращения вентилятора. Загорится соответствующий индикатор для данного значения.
5. Нажмите кнопку ВРЕМЯ, чтоб настроить необходимое время работы (1~24 часа). После нажатия кнопки ВРЕМЯ на дисплее высветится актуально выбранное

время, отпустите кнопку на 8 секунд, чтобы окно вернулось в режим индикации уровня влажности в помещении. По истечении указанного времени компрессор автоматически выключится.

6. После нажатия кнопки „TEMP” на экране высветится текущая температура в помещении, после отпуская на 8 секунд кнопки, окно вернется в режим индикации влажности воздуха в помещении.

7. Функция ОСУШИТЕЛЬ ВОЗДУХА включает режим турбо системы вентиляции, после чего включается непрерывное удаление влаги воздуха, эта функция позволяет сушить выстиранные вещи.

8. Чтобы выключить устройство, нажмите кнопку ON/OFF.

9. Функция предварительной настройки включения (PRE-SET), при помощи кнопки ВРЕМЯ без включения каких-либо других функций устройства (также кнопки ON/OFF), можно запрограммировать время включения устройства / Например, если настроить время на '2', устройство автоматически включится через 2 часа.

### **►► 6. ОТВОД ВОДЫ**

Если резервуар с водой заполнен, компрессор автоматически выключится в целях безопасности, а индикатор уровня воды загорится красным цветом.

Чтоб вынуть резервуар с водой его следует выдвинуть перпендикулярно из устройства.

После удаления из резервуара воды, его следует установить обратно. Проверьте правильность его установки - лампочка, сигнализирующая о заполненности резервуара водой, погаснет и включится осушитель воздуха.

Обратите внимание, если резервуар будет установлен неправильно, индикатор уровня воды будет гореть красным светом.

### **НЕПРЕРЫВНЫЙ ОТВОД**

Если осушитель воздуха используется в условиях высокой влажности воздуха, резервуар с водой необходимо чаще опорожнять. В этом случае более удобно будет предусмотреть постоянное опорожнение резервуара, для этого необходимо выполнить следующие действия:

1. Выньте резервуар с водой (Рис. 5).
2. Подсоедините водопровод к выпускному отверстию диаметром: 11 мм (провод не поставляется в комплекте с устройством) (Рис. 6).
3. Проверьте, чтобы провод был правильно закреплен и вода вытекала без препятствий. Внимание! При очень низких температурах необходимо дополнительно защитить провод от замерзания.
4. Вставьте резервуар с водой обратно в устройство.

### **►► 7. ТЕХОБСЛУЖИВАНИЕ И СОДЕРЖАНИЕ**

Перед проведением техобслуживания или очистки осушитель следует всегда отключать от сети электропитания.

#### **ОЧИСТКА КОРПУСА**

Для очистки осушителя следует пользоваться мягкой салфеткой.

Ни в коем случае не следует применять легко улетучивающиеся химические вещества, детергенты, бензин, одежду после химической обработки или

другие чистящие растворы. Каждое из этих веществ может повредить корпус прибора.

### ОЧИСТКА ФИЛЬТРА

Данная модель осушителя воздуха оборудована двумя видами фильтров (FIG. 7):

#### 1. ПРОТИВОПЫЛЬНЫЙ ФИЛЬТР

- Снимите крепление фильтра, выньте фильтр с активным углем.

- Аккуратно очистите фильтр при помощи пылесоса или промойте его под проточной водой. Если фильтр очень загрязнен, промойте его при помощи теплой воды и небольшого количества неагрессивного моющего средства.

- Убедитесь, что фильтр полностью сухой, перед его повторным использованием.

- Необходимо избегать воздействия прямых солнечных лучей на фильтр.

#### 2. АКТИВНЫЙ УГОЛЬНЫЙ ФИЛЬТР (для связывания частиц пыли, содержащейся в воздухе, а также предотвращения размножения бактерий).

Активный угольный фильтр расположен за противопылевым фильтром, в отличие от него, его нельзя мыть. Срок службы угольного фильтра зависит от условий окружающей среды в месте, в котором работает устройство. Фильтр необходимо периодически проверять и заменять в случае необходимости.

### ХРАНЕНИЕ

Если осушитель не будет эксплуатироваться в течение длительного периода, его следует выключить. Провод электропитания следует отключить и очистить:

► Резервуар для воды следует полностью опорожнить и вытереть насухо.

► Прибор следует прикрыть и хранить в месте, где нет воздействия прямых солнечных лучей.

## ►► 8. ОБНАРУЖЕНИЕ НЕИСПРАВНОСТЕЙ

### ОСУШИТЕЛЬ НЕ РАБОТАЕТ:

► Подключено ли оборудование к сети?

► Включено ли электропитание в здании/помещении?

► Не превышает ли комнатная температура диапазон 5°C - 35°C? Если превышает, то осушитель не может работать в таких условиях.

► Следует убедиться, что гигростат (или переключатель ON/OFF) включен.

► Следует проверить, расположен ли резервуар для воды в осушителе правильно и не переполнен ли он.

► Следует убедиться, что вход и выход воздуха не заблокированы.

### ОСУШИТЕЛЬ ВОЗМОЖНО НЕ РАБОТАЕТ:

► Не загрязнен ли фильтр?

► Заблокирован ли вход и выход воздуха?

► Не слишком ли низкая влажность окружающей среды?

### ОСУШИТЕЛЬ ОБНАРУЖИВАЕТ ПРИЗНАКИ НЕ ЭФФЕКТИВНОЙ РАБОТЫ:

► Открыты ли окна и двери?

► Есть ли в помещении объект, вызывающий большую влажность?

### ОСУШИТЕЛЬ РАБОТАЕТ СЛИШКОМ ГРОМКО:

► Следует проверить, расположен ли прибор на ровной поверхности

### ОСУШИТЕЛЬ ПРОТЕКАЕТ:

► Следует убедиться, что оборудование находится в хорошем техническом состоянии.

► Если опция непрерывного отвода воды не используется, следует убедиться, что резиновая заглушка (в нижней части прибора) находится на своем месте.

### Коды ошибок на дисплее

Код	Причина	Решение
E1	Датчик температуры окружающей среды (с прикрытием из смолы) открыт или действует неправильно в результате короткого замыкания	Проверить, правильно ли подсоединен датчик температуры окружающей среды к печатной плате.
		Заменить датчик температуры окружающей среды.
		Заменить главную печатную плату.
E2	Датчик системы охлаждения (с медным прикрытием) открыт или действует неправильно в результате короткого замыкания	Проверить, правильно ли подсоединен датчик к печатной плате.
		Заменить датчик.
		Заменить главную печатную плату.



# NÁVOD K OBSLUZE

1...	<b>FUNKCE</b>
2...	<b>UMÍSTĚNÍ</b>
3...	<b>DOPORUČENÍ PŘED POUŽITÍM</b>
4...	<b>SOUČÁSTI</b>
5...	<b>OBSLUHA</b>
6...	<b>ODVOD VODY</b>
7...	<b>ÚDRŽBA A ČIŠTĚNÍ</b>
8...	<b>ZJIŠŤOVÁNÍ ZÁVAD</b>

**PŘED POUŽITÍM TOHOTO ZAŘÍZENÍ JE NUTNÉ DŮKLADNĚ SE SEZNÁMIT S NÁVODEM A USCHOVAT JEJ PRO BUDOUCÍ POUŽITÍ.**

## ►► 1. FUNKCE

Toto zařízení je určeno k vysoušení vzduchu. Kontrola relativní vlhkosti probíhá průtokem vzduchu přes zařízení, který způsobuje zkapalnění přebytku vlhkosti na chladicích částech. Kontakt se studeným povrchem způsobuje zkapalnění vlhkosti ve vzduchu. Potom zkapalněná voda je bezpečně odvedená do zásobníku na vodu. Vysušený vzduch proudí výparníkem, v němž se nepatrně ohřívá, a potom je opětovně veden do místnosti, přičemž jeho teplota je nepatrně vyšší.

### ► FIG. 1

1. SUCHÝ TEPLEJŠÍ VZDUCH,
2. KONDENZÁTOR,
3. VÝPARNÍK,
4. VLHKÝ NASYCENÝ VZDUCH,
5. ZÁSOBNÍK NA VODU,
6. KOMPRESOR
7. MOTOR
8. ROTOR DEL VENTILADOR

## ►► 2. UMÍSTĚNÍ

Nadbytek vlhkosti se bude šířit po celém domě stejným způsobem, jakým se šíří vůně v místnosti během vaření. Z tohoto důvodu musí být odvlhčovač umístěn tak, aby mohl pohlcovat vlhký vzduch v celém domě. Je zde možnost, pokud se na jednom místě vyskytne vážný problém, umístit odvlhčovač poblíž tohoto místa a potom jej přenést blíže k centrálnímu bodu.

Během ustavování odvlhčovače je třeba se ujistit, že je umístěn na rovném povrchu a z každé strany zařízení je 10 cm (4") volného prostoru pro účinný průtok vzduchu.

Tento odvlhčovač je pro zlepšení mobility vybaven nastavovacími kolečky. Před přemístěním je třeba jej odpojit a zásobník na vodu vyprázdnit.

Nedoporučuje se používat prodlužovací kabel, a proto je třeba se ujistit, že se zařízení nachází v blízkosti zásuvky. V případě nutnosti použití prodlužovacího kabelu je třeba se ujistit, že minimální průřez kabelu je 1 mm<sup>2</sup>. Během práce odvlhčovače v nutném případě musí být vnější dveře a okna zavřeny pro zajištění maximální účinnosti zařízení.

## ►► 3. DOPORUČENÍ PŘED POUŽITÍM

### UPOZORNĚNÍ!

- Zařízení musí být vždy v kolmé poloze.

- Zařízení je třeba ponechat v kolmé poloze hodinu před připojením k napájení po přemístění nebo přechýlení (např. během čištění).

- Všechna cizí tělesa musí být ve větší vzdálenosti od otvorů pro přívod a odvod vzduchu.

- Napájecí napětí musí být shodné s tím, které je uvedeno na výkonovém štítku na zadní straně zařízení.

- Pokud je poškozen napájecí kabel, může jej vyměnit oprávněný servisní pracovník nebo osoba s příslušnou kvalifikací.

- Pro zapnutí a vypnutí zařízení se v žádném případě nemá používat zástrčka.

- Vždy je třeba používat spínač na ovládacím panelu.

- Před přemístěním je třeba zařízení nejdříve odpojit a potom vypustit vodu ze zásobníku.

- Nesmí se používat rozprašovače proti hmyzu nebo jiné lehce hořlavé materiály.

- Zařízení se nesmí v žádném případě polévat nebo stříkat vodou.

- **TENTO PŘÍSTROJ NESMÍ OVLÁDAT OSOBY (VČETNĚ DĚTÍ) S OMEZENÝMI FYZICKÝMI, SMYSLOVÝMI NEBO MENTÁLNÍMI SCHOPNOSTMI ANI OSOBY BEZ ZKUŠENOSTÍ, KTERÉ NEBYLY VYŠKOLENY OSOBOU ODPOVĚDNOU ZA JEJICH BEZPEČNOST. HLÍDEJTE DĚTI, ABY SI S PŘÍSTROJEM NEHRÁLY.**

### DŮLEŽITÉ!

Zařízení nelze používat při pokojové teplotě nižší než 5°C, aby nedošlo k námraze na výparníkovém hadu.

## ►► 4. SOUČÁSTI

- Přední strana FIG. 2

1. Ovládací panel
2. Podsvícení
3. Přední panel
4. Zadní panel

- Zadní strana FIG. 3

5. Ventilační klapka
6. Madlo
7. Přívod vzduchu / Filtry
8. Ukazovatel nastavení hladiny vody
9. Zásobník na vodu

## ►► 5. OBSLUHA

- Ovládací panel FIG. 4

1. Tlačítko pro nastavení vlhkosti

2. Signalizace provozního režimu (nepřetržitý, vlhkost 40%, 50%, 60%, 70%)



3. Zobrazení teploty/vlhkosti
4. Signalizace práce časovače
5. Tlačítko zobrazení teploty
6. Signalizace ionizátoru a TiO 2 (volitelné funkce v závislosti na zakoupeném modelu)
7. Signalizace VYSOUŠEČ
8. Tlačítko VYSOUŠEČ
9. Signalizace vysoké rychlosti ventilace
10. Tlačítko rychlost/ventilace
11. Signalizace nízké rychlosti ventilace
12. Signalizace napájení
13. Tlačítko ON/OFF (napájení)
14. Signalizace „Naplnění vodou“
15. Tlačítko HODINY
16. Tlačítko ionizátoru a TiO 2 (volitelné funkce v závislosti na zakoupeném modelu)

► Funkce podsvícení:

Modré světlo - vlhkost místnosti > 70%

Zelené světlo - vlhkost místnosti 50~70%

Červené světlo - vlhkost místnosti < 50%

Blikající červené světlo - alarm naplnění vodou

► Obsluha

1. Přístroj zapojte do správné elektrické zásuvky. (Zkontrolujte hodnoty napětí/frekvence na výrobním štítku přístroje).
2. Pro spuštění přístroje stiskněte tlačítko ON/OFF. Spustí se kompresor.
3. Pro výběr provozního režimu stiskněte tlačítko nastavení vlhkosti. Na výběr jsou režimy - nepřetržitý, vlhkost 40%, 50%, 60% nebo 70%. Rozsvítí se příslušná kontrolka pro danou hodnotu.
4. Pro nastavení rychlosti ventilace (nízká/vysoká) stiskněte tlačítko rychlost/ventilace. Rozsvítí se příslušná kontrolka pro danou hodnotu.
5. Stiskněte tlačítko HODINY pro nastavení očekávané doby práce (1~24 hodin). Po stisknutí tlačítka HODINY okénko displeje zobrazí aktuálně vybraný čas. Pokud tlačítko uvolníte na 8 sekund, v okénku se znovu začne zobrazovat vlhkost v místnosti. Po uplynutí nastaveného počtu hodin se kompresor automaticky vypne.
6. Stisknutím tlačítka „TEMP“ zobrazíte aktuální teplotu v místnosti. Pokud tlačítko uvolníte na 8 sekund, v okénku se znovu začne zobrazovat vlhkost v místnosti.
7. Funkce VYSOUŠEČ zapíná turbo režim ventilačního systému - vlhkost v místnosti se bude neustále vysoušet - tato funkce umožňuje sušit prádlo.
8. Pro vypnutí přístroje stiskněte tlačítko ON/OFF.
9. Funkce nastavitelného zapnutí (PRE-SET) - pomocí tlačítka HODINY bez spuštění jakýchkoli dalších funkcí přístroje (včetně tlačítka ON/OFF) lze nastavit čas zapnutí přístroje/ Například pokud nastavíte hodiny na '2', přístroj se automaticky spustí po 2 hodinách.

►► 6. ODVOD VODY

Je-li vodní nádržka naplněna, kompresor se z bezpečnostních důvodů automaticky vypne a signalizace naplnění vodou se rozsvítí červeně.

Chcete-li nádržku vyjmout, vysuňte ji kolmo z přístroje.

Po vyprázdnění zasuňte nádržku zpět na její místo. Ujistěte se, že je správně umístěna - kontrolka naplnění vodou zhasne a vysoušeč se zapne.

Všimněte si, že pokud nádržka není vložena správně, signalizace naplnění vodou bude dále svítit červeně.

**PLYNULÝ ODVOD**

Je-li vysoušeč používán při vysoké vlhkosti vzduchu, vodní nádržku bude nutno vyprazdňovat častěji. V tomto případě je značně pohodlnější nastavit nepřetržitě vyprazdňování nádržky. Chcete-li tak učinit, proveďte následující:

1. Vyjměte vodní nádržku (Obr. 5).
2. Vodní hadici zapojte do výstupního otvoru o průměru: 11 mm (hadice není součástí balení) (Obr. 6).
3. Ujistěte se, že je hadice správně připevněná a voda bez problémů odtéká. Pozor! Při velmi nízkých teplotách je potřeba provést další zabezpečení hadice proti zamrznutí.
4. Nádržku vložte na její místo.

►► 7. ÚDRŽBA A ČIŠTĚNÍ

Před provedením údržby a čištění zařízení je třeba jej vždy odpojit od napájecí sítě.

**ČIŠTĚNÍ TĚLESA ZAŘÍZENÍ**

K vyčištění zařízení je třeba použít měkký hadřík.

V žádném případě se nemají používat plynné chemické substance, detergenty, benzín, chemicky ošetřené oblečení nebo jiné čisticí roztoky. Každá z těchto látek může poškodit plášť zařízení.

**ČIŠTĚNÍ FILTRU**

Tento model vysoušeče je vybaven 2 typy filtrů (FIG. 7):

1. PRACHOVÝ FILTR

- Sundejte držák filtru, odstraňte filtr z aktivním uhlíkem.
- Filtr jemně vyčistěte pomocí vysavače nebo opláchnutím pod kohoutkem vodovodu. Je-li filtr silně znečištěný, použijte teplou vodu a malé množství detergentu.
- Před opětovným použitím se ujistěte, že je filtr zcela suchý.

- Filtr nevystavujte přímému slunečnímu světlu.

2. AKTIVNÍ UHLÍKOVÝ FILTR (pro vázání částic prachu rozvířených ve vzduchu a omezení množení bakterií).

Aktivní uhlíkový filtr se nachází za prachovým filtrem a na rozdíl od něj není omývatelný. Životnost uhlíkového filtru závisí na podmínkách prostředí, ve kterém se přístroj používá. Filtr je nutno pravidelně kontrolovat a v případě potřeby měnit.

**ÚSCHOVA**

Pokud zařízení nebude delší dobu používáno, je třeba jej odpojit. Napájecí kabel je třeba odpojit a očistit:

- Zásobník na vodu je třeba úplně vyprázdnit a vytřít dočista.
- Zařízení je třeba přikrýt a uchovávat na místě chráněném před slunečními paprsky.

►► 8. ZJIŠŤOVÁNÍ ZÁVAD

**ZAŘÍZENÍ NEFUNGUJE:**

- Je zařízení připojeno k napájecí síti?
- Je připojený v domě elektrický proud?
- Má pokojová teplota 5°C nebo více než 35°C? Pokud ano, jedná se o teplotu mimo pracovní rozsah zařízení.
- Je třeba se ujistit, zda hygrostat (nebo přepínač ON/OFF) je zapnut.
- Je třeba se ujistit, zda zásobník na vodu je správně us-taven v zařízení a zda není plný.
- Je třeba se ujistit, že ventilační otvory nejsou zablokované.

### **ZDÁ SE, ŽE ZAŘÍZENÍ NEPRACUJE:**

- ▶ Není filtr zaprášený nebo špinavý?
- ▶ Nejsou ventilační otvory zablokovány?
- ▶ Není vlhkost okolí již příliš nízká?

### **ZDÁ SE, ŽE ZAŘÍZENÍ NEPRACUJE EFEKTIVNĚ :**

- ▶ Není otevřeno příliš mnoho dveří a oken?
- ▶ Není v místnosti něco, co způsobuje velkou vlhkost?

### **ZAŘÍZENÍ JE PŘÍLIŠ HLUČNÉ:**

- ▶ Je třeba zkontrolovat, zda zařízení stojí na rovném povrchu

### **ZE ZAŘÍZENÍ VYTÉKÁ VODA:**

- ▶ Je třeba se ujistit, že zařízení je v dobrém technickém stavu.
- ▶ Pokud není využívána možnost plynulého odtékání vody, je třeba se ujistit, že gumová záslepka (zespodu zařízení) je na svém místě.

#### **Códigos de errores en la pantalla**

Código	Causa	Solución
E1	El sensor de temperatura del ambiente (con la protección de resina) está abierto o no funciona correctamente debido a un cortocircuito.	Verificar si el sensor de temperatura del ambiente está conectado al circuito impreso de forma correcta.
		Cambiar el sensor de temperatura del ambiente.
		Cambiar el circuito impreso principal.
E2	El sensor del circuito de refrigeración (con la protección de cobre) está abierto o no funciona correctamente debido a un cortocircuito	El nivel de humedad del aire está por debajo del 40% de la humedad relativa.
		Verificar si el sensor está conectado al circuito impreso de forma correcta.
		Cambiar el sensor.
		Cambiar el circuito impreso principal.



## TARTALOMJEGYZÉK

1...	<b>MŰKÖDÉS</b>
2...	<b>ELHELYEZÉS</b>
3...	<b>TANÁCSOK A BERENDEZÉS ÜZEMBEHELYEZÉSE ELŐTT</b>
4...	<b>A BERENDEZÉS ELEMEI</b>
5...	<b>KEZELÉS</b>
6...	<b>VÍZ ELVEZETÉSE</b>
7...	<b>KARBANTARTÁS ÉS TÁROLÁS</b>
8...	<b>HIBAELHÁRÍTÁS</b>

**AZ ALÁBBI BERENDEZÉS HASZNÁLATBA VÉTELE ELŐTT ALAPOSAN ISMERKEDJEN MEG AZ ÚTMUTATÓVAL ÉS AZT ŐRIZZE MEG KÉSŐBBI FELHASZNÁLÁS CÉLJÁBÓL.**

### ►► 1. MŰKÖDÉS

Az alábbi termék levegő szárítására szolgál. A berendezés a levegő átáramlása során a relatív páratartalmat ellenőrzi, lecsepegtetve a felesleges nedvességet a hűtőelemeken. A hideg felülettel való érintkezés a pára kicsapódását okozza a levegőben. Ezután a kicsapódott víz biztonságosan elvezetésre kerül a víztartályba. A kiszáritott levegő átáramlik a kondenzátoron, ahol egy kicsit felmelegszik, majd kissé magasabb hőmérsékleten újra visszaáramlik a helyiségbe.

#### ► FIG. 1

1. Száraz melegebb levegő,
2. Kondenzátor,
3. Párolgató,
4. Nedvességgel telített levegő,
5. Víztartály,
6. Kompresszor
7. Motor
8. Ventilátor lapátok

### ►► 2. ELHELYEZÉS

A túlzott pára ugyanúgy terjed szét az egész házban, mint ahogyan a főzés során keletkező szagok terjednek szét a helyiségben. Ezért a párátlanítót úgy kell elhelyezni, hogy az az egész házban felszívhassa a nedves levegőt. Opcionálisan, amennyiben az egyik helyen komoly probléma lép fel, ide helyezheti a párátlanítót, majd azt később más, központibb pontra helyezheti át.

A párátlanító beállítása során meg kell győződni róla, hogy azt egyenes felületre állította, valamint hogy a berendezés körül minden oldalt 10 cm (4") szabad teret hagyott, amely lehetővé teszi a levegő hatékony áramlását. Az alábbi párátlanító önbeálló kerékkel rendelkezik, amely könnyebb mozgatót biztosít a készüléknek. A berendezés áthelyezése során előbb ki kell kapcsolni a berendezést és ki kell üríteni a víztartályt.

Nem ajánlatos hosszabbító használata, ezért meg kell győződni róla, hogy a berendezés elég közel található a hálózati aljzathoz. Amennyiben elengedhetetlenné válna hosszabbító használata, győződjön meg róla, hogy a kábelvezeték átmérője legalább 1 mm<sup>2</sup>.

A párátlanító leghatékonyabb működése érdekében a bejárati ajtónak és az ablakoknak zárva kell lenniük.

### ►► 3. TANÁCSOK A BERENDEZÉS ÜZEMBEHELYEZÉSE ELŐTT

#### FIGYELEM!

► A berendezésnek mindig függőleges helyzetben kell lennie.

► A berendezést szállítás vagy megdöntés után (pl. tisztítás után) a hálózati tápellátásra való csatlakoztatás előtt egy óráig álló helyzetben kell hagyni.

► Minden idegen tárgyat távol kell tartani a levegő be- és kivezetésétől.

► Az áramellátásnak meg kell egyeznie a berendezés hátulján lévő adattáblán szereplő műszaki adatokkal.

► Amennyiben a hálózati kábel sérült, azt a márkaszerviz erre feljogosított képviselőjének, vagy erre megfelelő képesítéssel rendelkező személynek ki kell cserélnie, hogy elkerülje a veszélyhelyzetet.

► A berendezés bekapcsolásához és kikapcsolásához semmilyen esetben sem szabad a hálózati dugaszt használni. A berendezés be- és kikapcsolásához mindig a vezérlőpanel kapcsológombját kell használni.

► A berendezés áthelyezése előtt azt előbb ki kell kapcsolni, majd ki kell üríteni a víztartályt.

► A berendezés közelében nem szabad rovarirtó aeroszolt vagy más könnyen égő tisztítószer használni (néhány alkatrész működés közben felmelegszik).

► Semmilyen esetben sem szabad a berendezést vízzel leönteni vagy locsolni.

► AZ ALÁBBI BERENDEZÉST NEM KEZELHETI ÖNÁLLÓ CSELEKVÉSRE KÉPTELEN SZEMÉLY (BELEÉRTVE A GYERMEKEKET), AKI FIZIKAI, MOZGÁSI VAGY LELKI ÁLLAPOTA MIATT NEM KÉPES SEGÍTSÉG NÉLKÜL A BERENDEZÉST MŰKÖDTETNI, ILLETVE AZOK A SZEMÉLYEK, AKIKET A BIZTONSÁGUKÉRT FELELIS SZEMÉLYEK A BERENDEZÉS KEZELÉSÉRE KI NEM OKTATOTTAK. ÜGYELNI KELL RÁ, HOGY GYERMEKEK NE JÁTSZANAK A BERENDEZÉSSSEL.

#### FONTOS!

A berendezést nem szabad 5°C hőmérsékletnél alacsonyabb szobahőmérsékleten használni, mert az a párolgató csöveinek az eljegesedéséhez vezethet.

### ►► 4. A BERENDEZÉS ELEMEI

► Előnézet FIG. 2

1. Vezérlő panel
2. Megvilágítás
3. Előlap
4. Hátlap

- ▶ Hátulnézet FIG. 3
- 5. Szellőzés fedőlapja
- 6. Fogantyú
- 7. Levegő bevezetés / Szűrők
- 8. Vízszint jelző ablak
- 9. Víztartály

## ▶▶ 5. KEZELÉS

- ▶ Vezérlőpanel FIG. 4
- 1. Páratartalom beállító gomb
- 2. Üzem mód kijelző (folyamatos, 40%, 50%, 60%, 70% páratartalom)
- 3. Hőmérséklet / páratartalom kijelző
- 4. Üzemidő beállító óra kijelzője
- 5. Hőmérséklet kijelző gombja
- 6. Ionizátor és TiO 2 kijelző (opcionális funkció a megvásárolt modelltől függően)
- 7. PÁRAELSZÍVÓ kijelzője
- 8. PÁRAELSZÍVÓ nyomógombja
- 9. Ventilátor magas fordulatszámának kijelzője
- 10. Sebesség / ventiláció nyomógomb
- 11. Ventilátor alacsony fordulatszámának kijelzője
- 12. Áramellátás jelző
- 13. ON/OFF gomb (áramellátás)
- 14. „Víz telítettség” kijelző
- 15. ÓRA nyomógombja
- 16. Ionizátor és TiO 2 nyomógombja (opcionális funkció a megvásárolt modelltől függően)

### ▶ Megvilágítási funkció:

- Kék fénnel - helyiség páratartalma > 70%
- Zöld fénnel – helyiség páratartalma 50~70%
- Piros fénnel - helyiség páratartalma > 50%
- Villogó piros fény - megtelt a víz tartály riasztás

### ▶ Kezelés

1. Csatlakoztassuk a készüléket a megfelelő konnektorba. (Ellenőrizd, hogy megfelelnek-e a feszültség/frekvencia értékek a készüléken elhelyezett adattáblának.)
2. Nyomjuk le az ON/OFF gombot a készülék bekapcsolása érdekében. A kondenzátor elkezd működni.
3. Nyomjuk le a páratartalom beállító gombot a megfelelő üzemmód kiválasztás érdekében: állandó 40%, 50%, 60% vagy 70% páratartalom. Kigyullad a kiválasztott értéknek megfelelő kijelző.
4. Nyomjuk le a sebesség/ventilátor gombot, hogy beállítsuk a ventiláció fordulatszámát alacsony vagy magas fokozatra. Kigyullad a kiválasztott értéknek megfelelő kijelző.
5. Nyomjuk le az ÓRA gombot, hogy beállítsuk az üzemeles hosszát (1~24 óra). Az ÓRA gomb lenyomása után a kijelzőn megjelenik az aktuális beállított üzemidő, engedjük fel a nyomógombot legalább 8 másodpercre és a kijelző visszatér az alap üzemmódra a helyiség páratartalom kijelzésére. A meghatározott idő letelte után a kondenzátor automatikusan kikapcsol.
6. A "TEMP" gomb lenyomása után a kijelzőn a helyiség aktuális hőmérséklete jelenik meg, engedjük fel a nyomógombot legalább 8 másodpercre és a kijelző visszatér az alap üzemmódra a helyiség páratartalom kijelzésére.
7. A PÁRÁTLANÍTÓ funkció bekapcsolása, beindítja a ventilátor turbó üzemmódját, ennek következtében a helyiség nedvességtartalma folyamatosan csökken, e funkció segítségével lehet pl. mosást szárítani.
8. A készülék kikapcsolásának érdekében nyomjuk le az

ON/OFF gombot.

9. A korai bekapcsolás funkcióban (PRE-SET) az Óra nyomógomb segítségével, minden más bekapcsolási nyomógomb nélkül (beleértve a ON/OFF gombot is), beprogramozható a készülék automata bekapcsolásának ideje/ Például, ha az órán '2'-t állítunk be, akkor a készülék 2 óra elteltével automatikusan bekapcsol.

## ▶▶ 6. VÍZ ELVEZETÉSE

Amikor a víz tartály megtelik akkor a kondenzátor önműködően, biztonsági okok miatt, kikapcsol, és a víz tartály kijelzője pirosan fog világítani.

Ahhoz, hogy kivegyük a víz tartályt, toljuk el a készülékkel párhuzamosan.

A tartályt kiürítés után helyezzük vissza a helyére. Bizonyosodjunk meg róla, hogy megfelelően van-e berakva, ekkor a kontroll lámpa elalszik és a készülék automatikusan bekapcsol.

Érdemes megfigyelni, hogy ha a tartályt nem rakjuk vissza megfelelően, akkor a kontroll lámpa továbbra is világítani fog.

## ▶▶ FOLYAMATOS ELVEZETÉS

Amennyiben a készülék magas páratartalmú helyiségben üzemel, a víz tartályt gyakran kell üríteni. Ebben a helyzetben jóval kényelmesebb beállítani a tartály folyamatos ürítését.

1. Távolítsuk el a víz tartályt (FIG. 5).
2. Csatlakoztassunk egy víz elvezető csövet, amelynek átmérője: 11 mm (e cső nem tartozik a készülék alapfelszereltségéhez) (FIG. 6).
3. Bizonyosodjunk meg róla, hogy a csövet megfelelően rögzítettük, és a víz szabadon távozhat. Figyelem! Nagyon alacsony környezeti hőmérséklet esetében védjük meg a csöveket a fagyástól.
4. A víz tartályt rakjuk a helyére.

## ▶▶ 7. KARBANTARTÁS ÉS TÁROLÁS

A karbantartási és tisztítási művelet végrehajtása előtt mindig le kell kapcsolni a berendezést a hálózati tápellátásról.

### A KÜLSŐ HÁZ TISZTÍTÁSA

A berendezés tisztításához puha törlőkendőt kell használni. Semmilyen esetben sem szabad agresszív vegyi anyagokat, mosószert, benzint, vagy egyéb erős tisztító oldatot használni. A fent említett anyagok a berendezés károsodását okozhatják.

### A SZŰRŐ TISZTÍTÁSA

E páratlanító modell 2 szűrőtípussal rendelkezik (FIG. 7):

#### 1. PORSZŰRŐ

- Vegyük le a szűrő rögzítését, távolítsuk el az aktív szénes szűrőt.

- Óvatosan tisztítsuk meg a szűrőt porszívó segítségével vagy öblítsük le folyóvízben. Amennyiben a szűrő nagyon szennyezett használjunk meleg vizet és egy kevés kémialetes tisztítószer.

- Mielőtt betennénk a szűrőt, győződjünk meg róla, hogy az teljesen megszáradt.

- A szűrőt ne tegyük ki közvetlenül napfény hatásának.

2. AKTÍVSZÉN SZŰRŐ (a levegőben szálló por megkötésére és baktériumok szaporodásának gátlására).

Az aktív szén szűrő a porfogó szűrő után található és azzal ellentétben nem mosható. Az aktív szén szűrő élettartama

nagyban függ attól, hogy a készüléket hol, milyen körülmények közt használjuk. A szűrőt időnként, szükségletek szerint, ellenőrizzük és cseréljük.

## TÁROLÁS

Amennyiben a berendezést hosszabb ideig nem használja, azt ki kell kapcsolni. Húzza ki a hálózati kábelt és tisztítsa meg a berendezést:

- ▶ Teljesen ki kell üríteni a víztartályt majd szárazra kell törölni.
- ▶ A berendezést le kell takarni és olyan helyen kell tárolni, ahol nem éri közvetlen napsugárzás.

## ▶▶ 8. HIBAEHÁRÍTÁS

### A BERENDEZÉS NEM MŰKÖDIK:

- ▶ Csatlakoztatta a berendezést az elektromos hálózatra?
- ▶ Be van kapcsolva az elektromos hálózat az otthonában?
- ▶ A szobahőmérséklet 5°C vagy annál kevesebb, vagy 35°C-nál magasabb? Amennyiben igen, akkor a hőmérséklet nincs a készülék működési tartományában.
- ▶ Győződjön meg róla, hogy a kapcsoló ON állásban van.
- ▶ Ellenőrizze, hogy a víztartály megfelelően van a berendezésbe helyezve és nem telt meg.
- ▶ Győződjön meg róla, hogy a levegő bevezetése és kivezetése nincs eltömődve.

### A BERENDEZÉS MINTHA NEM MŰKÖDNE:

- ▶ Nem poros, szennyezett a szűrő?
- ▶ Nincs eltömődve a levegő bevezetése és kivezetés?
- ▶ Nem túl alacsony a környezeti páratartalom?

### hu A BERENDEZÉS NEM MŰKÖDIK TELJES HATÉKONYSÁGGAL:

- ▶ Nincs kinyitva túl sok ablak vagy ajtó?
- ▶ Nincs-e valami a helyiségben, ami túl nagy páratartalmat okoz?

### TÚL HANGOS A BERENDEZÉS:

- ▶ Ellenőrizze, hogy a berendezés vízszintes felületen áll

### FOLYIK A BERENDEZÉS:

- ▶ Győződjön meg róla, hogy a berendezés jó műszaki állapotban van.
- ▶ Amennyiben nem használja a folyamatos vízvezetést, győződjön meg róla, hogy a gumi dugasz (a berendezés alján) a helyén található.

## Hibakódok a kijelzőn

Kód	Ok	Megoldás
E1	A környezet hőmérséklet érzékelője (a gyanús bevonatú) nyitva van, vagy helytelenül működik rövidzárlat miatt.	Ellenőrizzük, hogy a környezet hőmérséklet érzékelője helyesen van-e csatlakoztatva a nyomtatott alaplap-hoz. Cseréljük ki a környezet hőmérséklet érzékelőjét. Cseréljük ki a nyomtatott alaplapot. A páratartalom 40% relatív páratartalomnál kevesebb.
E2	Hűtőrendszer hőérzékelője (réz burkolat) nyitva van, vagy helytelenül működik rövidzárlat miatt.	Ellenőrizzük, hogy a érzékelő helyesen van-e csatlakoztatva a nyomtatott alaplap-hoz. Cseréljük ki az érzékelőt. Cseréljük ki a nyomtatott alaplapot.





## KAZALO

1...	<b>DELOVANJE</b>
2...	<b>LOKACIJA</b>
3...	<b>PRIPOROCILA PRED UPORABO</b>
4...	<b>DELI</b>
5...	<b>UPRAVLJANJE</b>
6...	<b>ODVOD VODE</b>
7...	<b>ČIŠČENJE IN VZDRŽEVANJE</b>
8...	<b>ODKRIVANJE OKVAR</b>

### **PRED UPORABO NAPRAVE SE NATANČNO SEZNANITE Z NAVODILI IN JIH SHRANITE, DA JIH BOSTE LAHKO UPORABILI V PRIHODNJE.**

#### **►► 1. DELOVANJE**

Izdelek je namenjen za sušenje zraka. Nadzoruje relativno zračno vlažnost tako, da medtem, ko zrak prehaja skozi napravo, privede do kondenzacije cezmerne vlage na hladilnih elementih. Stik s hladno površino povzroca kondenzacijo zračne vlage. Nato se kondenzirana voda varno odvede v za to namenjeno posodo. Osušen zrak prehaja skozi kondenzator, kjer se neznatno segreje, nato pa se vrne v prostor, pri čemer je njegova temperatura nekoliko povišana.

#### ► FIG. 1

1. odvod suhega zraka
2. kondenzator,
3. uparjalnik
4. dovod vlažnega zraka
5. posoda z vodo,
6. kompresor
7. motor
8. rotor ventilatorja

#### **►► 2. LOKACIJA**

Cezmerna vlažnost se širi po celi hiši na enak način, kakor se med kuhanjem vonj širi v prostoru. Zaradi tega bi moral biti sušilec nameščen tako, da lahko odvzema zrak iz cele hiše. V primeru, ce se na nekem mestu pojavi resna težava, lahko namestite sušilec v bližini tega mesta, nato pa ga ponovno prenesete v bolj osrednji položaj.

Med nameščanjem sušilca preverite, ali stoji na ravnih tleh in ali na vsaki njegovi strani ostane 10 cm (4") prostora, da se zagotovi učinkovit pretok zraka. Ta sušilec je opremljen s samodejno se nastavljaljocimi kolesci, da se zagotovi njegova največja mobilnost. Pred premeščanjem naprave jo je treba izključiti in izprazniti posodo z vodo.

Odsvetujemo uporabo podaljškov, zato priporočamo, da preverite, ali se naprava nahaja dovolj blizu vticnice.

Ce je nujno potrebno uporabiti podaljšek, preverite, ali je premer vodov v kablu vsaj 1 mm<sup>2</sup>. Za zagotavljanje največje učinkovitosti sušilca naj bodo zunanja vrata in okna zaprta.

#### **►► 3. PRIPOROCILA PRED UPORABO**

##### **POZOR!**

► naprava se mora vedno nahajati v pokoncnem položaju,

► ce napravo prevažate ali pa jo nagnete (npr. med čiščenjem), jo pustite za eno uro v stojcem položaju, preden jo priključite na električno omrežje,

► nobenih predmetov ne približujte odprtina za dovod in odvod zraka,

► električno napajanje se mora ujemati s specifikacijo iz podatkovne ploščice, ki se nahaja na zadnji strani naprave,

► ce je napajalni kabel poškodovan, ga zaradi preprečevanja nevarnosti mora zamenjati pooblaščen predstavnik servisa (ustrezno usposobljena oseba),

► za vklop in izklop naprave v nobenem primeru ne uporabljajte vtica; vedno uporabljajte stikalo na nadzorni ploščici,

► ce želite napravo prenesti, jo najprej izklopote, nato pa še izpraznite posodo z vodo,

► ne uporabljajte sredstev proti crvom v razpršilu in drugih vnetljivih čistilnih sredstev,

► v nobenem primeru naprave ne polivajte in ne škropite z vodo.

► OVA OPREMA NIJE NAMENJENA ZA KOROŠČENJE OD STRANE OSOBA (UKLJUČUJUČI DECU) SA OGRANIČINIM FIZIČKIM, OSEĆAJNIM ILI PSIHIČKIM SPOSOBNOSTIMA ILI OD STRANE OSOBA KOJE NEMAJU ISKUSTVA ILI ZNANJA ODNOSNO FUNKCIONIRANJA OPREME – U OVOM SLUČAJU MOŽE TO BITI IZVRŠENO SAMO POD NADZOROM ILI U SKLADU SA INSTRUKCIJAMA KORIŠČENJA KOJE SU OVE OSOBE DOBILE OD LICA ODGOVORNIH ZA BEZBEDNOST.

##### **POMEMBNO!**

Naprave ne uporabljajte pri temperaturi sobni nižji od 5°C, sicer lahko pride do zaledenitve uparjalnika.

#### **►► 4. DELI**

► Sprednja stran FIG. 2

1. Krmilni panel
2. Osvetlitev
3. Prednji panel
4. Zadnji panel

► Zadnja stran FIG. 3

5. Ventilacijski pokrov
6. Rocica
7. Dovod zraka / Filtri
8. Okence za preverjanje nivoja vode
9. Posoda za vodo

#### **►► 5. UPRAVLJANJE**

► FIG. 4

1. Gumb za nastavitev vlage
2. Indikator načina delovanja (stalen, vlaga 40%, 50%,

60%, 70%)

3. Zaslon s temperaturo/vlago
4. Indikator delovanja časovne ure
5. Gumb za prikazovanje temperature
6. Indikator ionizatorja ter TiO 2 (fakultativna funkcija odvisno od modela)
7. Indikator SUŠILEC
8. Gumb SUŠILEC
9. Indikator visoke hitrosti ventilacije
10. Gumb hitrost/ventilacija
11. Indikator nizke hitrosti ventilacije
12. Indikator napajanja
13. Gumb ON/OFF (napajanie)
14. Indikator 'poln vode'
15. Gumb URA
16. Gumb ionizatorja ter TiO 2 (fakultativni funkciji odvisno od modela)

► Funkcija osvetlitve:

Modra luč – vlaga v prostoru > 70%

Zelena luč – vlaga v prostoru 50~70%

Rdeča luč – vlaga v prostoru <50%

Utripajoča rdeča luč – alarm, naprava polna vode

► Delo z napravo

1. Priključite napravo k pravilni napajalni vtičnici. (Preverite vrednost napetost/frekvence na tablici s podatki na napravi).
2. Če želite vklopiti napravo, pritisnite gumb ON/OFF. Kompressor začne delovati.
3. Pritisnite gumb odgovoren za vlago, če želite izbrati način dela: stalen, nivo vlage 40%, 50%, 60% ali 70%. Zasvetil bo indikator, ki označuje dano vrednost.
4. Če želite nastaviti visoko ali nizko hitrost ventilacije, pritisnite gumb hitrost/ventilacija. Zasvetil bo indikator, ki označuje dano vrednost.
5. Če želite določiti čas delovanja naprave (1~24 ur), pritisnite gumb URA. Ko pritisnete gumb URA, bo okence na zaslonu prikazalo izbran čas. Pustite gumb za 8 sekund in v okencu boste spet videli vlago prostora. Po določenem času se bo kompressor avtomatično izklopil.
6. Pritisnite gumb 'TEMP', če želite preveriti aktualno temperaturo v prostoru. Pustite gumb za 8 sekund in v okencu boste spet videli vlago prostora.
7. Funkcija SUŠILEC vklopi turbo način ventilacije, kar povzroča stalno osuševanje vlage v zraku. Ta funkcija pomaga pri sušenju perila.
8. Če želite izklopiti napravo, pritisnite gumb ON/OFF.
9. Funkcija zamik vklopa (PRE-SET) S pomočjo gumba URA in ne da bi vklopili druge funkcije naprave (tudi gumb ON/OFF), lahko programirate čas, v katerem se bo naprava vklopila. Na primer če nastavite '2', se bo naprava avtomatično vklopila po 2 urah.

►► 6. ODVOD VODE

Če je tank za vodo poln, se bo kompressor zaradi varnostnih ukrepov samodejno izklopil ter indikator, ki označuje polnost tanka, bo rdeč.

Da bi odstranili tank za vodo, potegnite ga naravnost iz naprave.

Izpraznite tank za vodo ter ga namestite nazaj v napravo. Preverite, ali ste ga pravilno namestili. Takrat se bo kontrolna luč ugasnila, sušilec pa se bo samodejno vklopil.

Bodite pozorni, da če ne boste pravilno namestili tanka, se

ne bo kontrolna luč ugasnila in bo rdeča.

**NEPREKINJENO ODVAJANJE VODE**

Če uporabljate sušilec pri zelo vlažnem zraku, morali boste pogosteje izprazniti tank za vodo. V takšnem primeru priporočamo, da se odločite za stalno izpraznitev tanka za vodo, ki jo dosežete na naslednji način:

1. Odstranite tank za vodo (FIG. 5).
2. K odtealki priključite cev z notranjim premerom 11 mm. (Bodite pozorni, da cev ni sestavni del naprave) (FIG. 6)
3. Preverite, da bo voda vedno tekla brez ovir in da se ne bo cev premaknila. Pozor! V primeru nizke temperature dodatno zaščitite cev pred zmrzovanjem.
4. Namestite tank za vodo nazaj v napravo.

►► 7. ČIŠČENJE IN VZDRŽEVANJE

Pred čiščenjem ali vzdrževalnimi deli napravo vedno izključite iz elektricnega omrežja.

**ČIŠČENJE OHIŠJA**

Za čiščenje naprave uporabite mehko krpo.

V nobenem primeru ne uporabljajte hlapnih kemijskih snovi, detergentov, bencina, oblacil, ki so bila kemijsko obdelana in drugih raztopin za čiščenje. Vsaka od teh snovi lahko poškoduje ohišje naprave.

**ČIŠČENJE FILTRA**

Ta model sušilca ima 2 vrsti filtrov (FIG. 7):

1. PROTIPRAŠNI FILTER

- Odstranite držalo za filter, odstranite filter z aktivnim ogljem.

- Nežno očistite filter s pomočjo sesalnika ali ga izplaknite pod pipo. Če je filter zelo umazan, uporabite toplo vodo in nežen detergent.

- Preden nazaj namestite filter, preverite, ali je popolnoma suh.

- Ne izpostavljajte filtra neposredni sončni svetlobi.

2. FILTER Z AKTIVNIM OGLJEM (za odstranjevanje delcev prahu, ki se nahajajo v zraku ter za omejitvev razmnoževanja bakterij).

Filter z aktivnim ogljem, ki se nahaja za protiprašnim filtrom, ni pralen. Trajnost filtra z aktivnim ogljem je odvisna od okoliških razmer v prostoru, kjer uporabljate napravo. Filter morate včasih preveriti in menjati, če je potrebno.

**SHRANJEVANJE**

Ce naprave dalj časa ne uporabljate, jo izklopite. Napajalni kabel izključite in očistite.

► Popolnoma izpraznite posodo za vodo in jo obrišite do suhega.

► Napravo pogrnite in shranjujte v mestu, kjer ne bo izpostavljena sončnim žarkom.

►► 8. ODKRIVANJE OKVAR

**NAPRAVA NE DELUJE:**

► Ali je naprava priključena na elektricno omrežje?

► Ali je elektrika v hiši vklopljena?

► Ali sobna temperatura znaša 35°C oz. več? Če je tako, potem je temperatura izven delovnega temperaturnega območja naprave.

► Preverite, ali je vlagometer (oz. stikalo ON/OFF) vklopljen.

► Preverite, ali je posoda za vodo pravilno nameščena v

napravi in ali ni polna.

- ▶ Preverite, ali nista dovod in odvod zraka zamašena.

#### **IZGLEDA, DA NAPRAVA NE DELUJE:**

- ▶ Ali je filter zaprašen, umazan?
- ▶ Ali sta dovod in odvod zraka zamašena?
- ▶ Ali ni vlaga v okolju že prenizka?

#### **IZGLEDA, DA NAPRAVA DELUJE NEUCINKOVITO:**

- ▶ Ali ni odprtih prevec vrat in oken?
- ▶ Ali je mogoče v prostoru nekaj, kar povzroca visoko vlažnost?

#### **NAPRAVA DELUJE PREGLASNO:**

- ▶ Preverite, ali stoji naprava na ravnih tleh.

#### **NAPRAVA PUŠČA:**

- ▶ Preverite, ali je tehnično stanje naprave dobro.
- ▶ Če ne uporabljate možnosti neprekinjenega odvajanja vode, preverite, ali je gumijast cep (v spodnjem delu naprave) na svojem mestu.

#### **Kode napak na zaslonu**

Koda	Vzrok	Rešitev
E1	Senzor temperature (v zaščiti iz rastlinske smole) je odprt ali ne dela pravilno zaradi kratkega stika	Preverite, ali je senzor zunanje temperature pravilno priključen k tiskanemu vezju.
		Menjajte senzor zunanje temperature.
		Menjajte glavno tiskano vezje.
		Nivo vlage zraka je nižji kot 40% relativne vlažnosti.
E2	Senzor hladilnega sistema (z bakreno zaščito) je odprt ali ne dela pravilno zaradi kratkega stika	Preverite, ali je senzor pravilno priključen k tiskanemu vezju.
		Menjajte senzor.
		Menjajte glavno tiskano vezje.



## SADRŽAJ

1...	<b>DJELOVANJE</b>
2...	<b>SMJEŠTANJE UREDAJA</b>
3...	<b>PREPORUKE PRIJE POCETKA KORIŠTENJA</b>
4...	<b>DIJELOVI</b>
5...	<b>OPSLUŽIVANJE</b>
6...	<b>ODVOD VODE</b>
7...	<b>ČIŠĆENJE I ODRŽAVANJE</b>
8...	<b>DETEKTIRANJE KVAROVA</b>

**PRIJE POCETKA KORIŠTENJA OVOG UREDAJA, MOLIMO PROCITAJTE UPUTE I SACUVAJTE IH ZA BUDUĆE KORIŠTENJE.**

### ▶▶ 1. DJELOVANJE

Ovaj proizvod se koristi za sušenje zraka. On kontrolira relativnu vlažnost propuštanjem zraka kroz uređaj, gdje dolazi do kondenzacije viška vlage na rashladnim elementima. Kontakt s hladnim površinama uzrokuje kondenzaciju vlage u zraku. Nakon toga kondenzirana voda se na siguran način odvodi u spremnik vode. Osušeni zrak prolazi kroz kondenzator u kojem se malo zagrijava, a zatim ponovno ulazi u prostoriju, pri čemu je njegova temperatura neznatno povišena.

#### ▶ FIG. 1

1. izlaz suhog zraka
2. kondenzator
3. isparivač
4. ulaz vlažnog zraka
5. spremnik vode
6. kompresor
7. motor
8. rotor ventilatora

### ▶▶ 2. SMJEŠTANJE UREDAJA

Višak vlage se širi u cijeloj kući kao što se širi miris u prostoriji tijekom kuhanja.

Zbog toga bi sušać trebao biti postavljen tako da može izvući vlažan zrak iz cijele kuće.

Opcionalno, ako se na jednom mjestu pojavi ozbiljan problem, moguće je sušać postaviti blizu tog mjesta, a zatim ga prenijeti više prema središnjem mjestu.

Tijekom postavljanja sušaca treba provjeriti je li na ravnoj podlozi, odnosno da sa svake strane uređaja ima najmanje 10 cm (4") udaljenosti kako bi bilo osigurano slobodno strujanje zraka. Ovaj uređaj je opremljen kotacima, kako bi se osiguralo njegova bolja pokretljivost. Tijekom premještanja uređaj mora biti sklopljen, a spremnik za vodu je potrebno potpuno isprazniti. Ne preporučuje se koristiti produžni kabel, pa stoga treba provjeriti je li uređaj dovoljno blizu strujne uticnice. Ako morate koristiti produžni kabel, pobrinite se da promjer žice kabla bude najmanje 1mm<sup>2</sup>. Tijekom rada sušaca, ako je to potrebno, vanjska vrata i prozori trebaju biti zatvoreni, kako bi se osigurala maksimalna učinkovitost ovog uređaja.

### ▶▶ 3. PREPORUKE PRIJE POCETKA KORIŠTENJA

#### UPOZORENJE!

- ▶ Ovaj uređaj mora uvijek biti u vertikalnoj poziciji;
- ▶ Uređaj treba ostaviti na jedan sat u vertikalnom položaju, prije uključivanja na mrežni napon, nakon prijevoza, ili kada je bio nagnut (npr. tijekom čišćenja);
- ▶ Svako strano tijelo treba držati podalje od usisnih i ispušnih otvora zraka;
- ▶ Napajanje mora biti u skladu sa specifikacijom navedenom na nazivnoj pločici na stražnjoj strani uređaja;
- ▶ Ako je priključni kabel oštećen, mora ga zamijeniti ovlašten predstavnik (kvalificirana osoba) servisa kako bi se izbjegla opasnost;
- ▶ za pokretanje i zaustavljanje uređaja, ni u kom slučaju, nemojte koristiti uticnicu.
- ▶ Uvijek treba koristiti prekidač na ploči za upravljanje;
- ▶ Prije premještanja uređaja, prvo ga treba isključiti, a zatim isprazniti spremnik za vodu;
- ▶ Ne smije se rasprskavati sprej protiv insekte ili druga zapaljiva sredstva za čišćenje;
- ▶ Ni u kom slučaju uređaj se nesmiije polivati ili prskati vodom.
- ▶ OVAJ UREĐAJ NIJE NAMIJENJEN DA NJIME RUKUJU OSOBE (UKLJUČUJUĆI I DJECU) KOJE SU OSJETLJIVE SA SMANJENIM PSIHIČKIM ILI MENTALNIM MOGUĆNOSTIMA, KAO I OSOBE KOJE NEMAJU DOVOLJNO ISKUSTVA I ZNANJA, OSIM AKO NISU POD NADZOROM ILI AKO NISU INSTRUIRANE O UPOTREBI UREĐAJA OD OSOBE KOJA JE SADUŽENA ZA NJIHOVU SIGURNOST.

#### VAŽNO!

Ne koristiti uređaj na temperaturi ispod 5°C, kako bi se spriječilo zaledivanje isparivača !

### ▶▶ 4. DIJELOVI

- ▶ Prednja strana FIG. 2
  1. Upravljačka ploča
  2. Pozadinsko svjetlo
  3. Prednji panel
  4. Stražnji panel
- ▶ Stražnja strana FIG. 3
  5. Ventilacijska klapna
  6. Rukohvat
  7. Ulaz zraka /Filteri
  8. Pokazivač razine vode
  9. Spremnik za vodu

## ►► 5. OPSLUŽIVANJE

### ► FIG. 4

1. Gumb za podešavanje vlage
2. Indikator načina rada ( kontinuiran, vlažnost 40 %, 50 %, 60 %, 70 % )
3. Displej temperature/vlažnosti
4. Indeks rada vremenskog sata
5. Gumb za prikaz temperature
6. Indeks ionizatora TiO<sub>2</sub> (opcionalne funkcije ovisno o kupljenom modelu)
7. Indikator SUŠAČ
8. Gumb SUŠAČ
9. Indikator visoke brzine ventilacije
10. Gumb brzine/ventilacija
11. Indikator niske brzine ventilacije
12. Indikator napajanja
13. Gumb ON/OFF (napajanje)
14. Indikator „Napunjenost vodom ”
15. Gumb SAT
16. Gumb ionizatora i TiO<sub>2</sub> (opcionalne funkcije ovisno o kupljenom modelu)

### ► Funkcija pozadinskog osvjetljenja:

Plavo svjetlo - vlažnost u prostoriji > 70 %  
Zeleno svjetlo –vlažnost u prostoriji 50 ~ 70 %  
Crveno svjetlo vlažnost u prostoriji < 50 %  
Trepćeće crveno svjetlo - alarm ispunje vodom

### ► Rukovanje

1. Spojite uređaj na odgovarajuću utičnicu napajanja. (Provjerite napon/frekvenciju na nazivnoj pločici).
2. Pritisnite gumb ON/OFF za pokretanje uređaja. Kompresor počinje raditi.
3. Pritisnite gumb vlage da odaberete načina rada: stalna razina vlažnosti zraka od 40 %, 50%, 60% ili 70 %. Svjetli se odgovarajući indikator, za određenu vrijednost.
4. Pritisnite gumb brzine/ventilacija za podešavanje ventilatora na visoku ili nisku brzinu. Svjetli se odgovarajući indikator, za određenu vrijednost.
5. Pritisnite gumb SAT da postavite očekivano vrijeme rada ( 1 ~ 24 sati). Nakon pritiska na gumb SAT prozorčić prikazuje trenutno odabrano vrijeme. Oslobodite gumb kroz 8 sekundi, da bi se prozorčić vratio u način pokazivanja vlage u prostoriji. Nakon određenog broja sati, kompresor se automatski isključuje.
6. Gumb „TEMP” uzrokuje prikazivanje trenutne sobne temperature, oslobodite gumb kroz 8 sekundi da bi se prozorčić vratio u način pokazivanja vlage u prostorijama.
7. Funkcija SUŠAČ uključuje način rada turbo sustava ventilacije, uzrokujući trajno sušenje vlage u zraku. Ta funkcija omogućuje sušenje rublja.
8. Za isključivanje uređaja, pritisnite gumb ON/OFF.
9. Funkcija ranog uključivanja (PRE - SET) pomoću gumba SAT bez pokretanja bilo koje druge funkcije (uključujući gumb ON/OFF), možete programirati vrijeme uključivanja uređaja. Na primjer, ako postavite sat na '2', uređaj će se automatski uključiti nakon 2 sata.

## ►► 6. ODVOD VODE

Kada je spremnik za vodu napunjen, kompresor se samostalno automatski isključuje za sigurnost, a indikator punjenja vodom počinje svijetliti na crveno.

Za uklanjanje spremnika za vodu, povucite ga okomito prema gore iz uređaja.

Nakon pražnjenja spremnika vode, stavite ga natrag na njegovo mjesto. Uvjerite se da je pravilno postavljen, tada se kontrolna lampica napunjenosti vodom gasi, a sušač se uključuje.

Imajte na umu da, ako spremnik nije ispravno umetnut, indikator napunjenosti će stalno svijetliti na crveno.

## KONTINUIRANO ODVOĐENJE VODE

Ako se sušač koristi u uvjetima visoke vlažnosti, spremnik vode će zahtijevati češće pražnjenje. U takvoj situaciji puno je prikladnije podesiti na kontinuirano pražnjenje spremnika, a za to je potrebno učiniti sljedeće:

1. Uklonite spremnik za vodu (FIG. 5).
2. Priključite crijevo za vodu na otvor za odvod promjera: 11 mm (crijevo nije isporučeno s uređajem) (FIG. 6).
3. Uvjerite se da je crijevo pravilno priključeno i voda teče ravnomjerno i bez smetnji. Napomena! Na vrlo niskim temperaturama, treba crijevo dodatno osigurati od smrzavanja.
4. Postavite spremnik za vodu na njegovo mjesto.

## ►► 7. ČIŠĆENJE I ODRŽAVANJE

Prije početka bilo kakvih radova na održavanju ili čišćenju uređaja, isti mora biti isključen s mreže za napajanje.

### ČIŠĆENJE KUCIŠTA

Za čišćenje kucišta uređaja treba koristiti isključivo meku krpu.

Ni u kom slučaju se nesmiju koristiti: hlapljive kemikalije, kemijska sredstva za čišćenje, benzin, krpe odjece koja je bila kemijski tretirana ili druga sredstva za čišćenje. Svaka od gore navedenih tvari može oštetiti kucište.

### ČIŠĆENJE FILTRA

Ovaj model sušača je opremljen s 2 vrste filtera (FIG. 7):

#### 1. FILTER ZA PRAŠINU

- Uklonite držač filtera, izvadite filter s aktivnim ugljenom.
- Pažljivo očistite filter sa usisavačem ili ispiranjem pod mlazom vode. Ako je filter vrlo prljav, koristite toplu vodu i malu količinu blagog deterdženta.
- Uvjerite se da je filter potpuno suh prije njegovog ponovnog korištenja.
- Ne izlažite filter izravnoj sunčevoj svjetlosti.

#### 2. AKTIVNI KARBONSKI FILTER (za vezanje čestice prašine koje lebde u zraku i ograničava razmnožavanje bakterija).

Aktivni karbonski filter nalazi se iza filtera prašine, a za razliku, od njega nije ga moguće prati. Trajnost karbonskog filtera ovisi o uvjetima okoliša na mjestu gdje se koristi uređaj. Filter treba povremeno provjeriti i zamijeniti ako je to potrebno.

### SKLADIŠTENJE

Ako se uređaj ne koristi na duže vrijeme, treba ga isključiti. Kabel za napajanje treba isključiti sa meže i ocistiti:

- Treba potpuno isprazniti spremnik vode i dobro obrisati cistom krpom.
- Uređaj treba biti pokriven i pohranjen u mjestu gdje neće biti izložen sunčevim zrakama.

## ►► 8. DETEKTIRANJE KVAROVA

### UREDAJ NE RADI:

- Je li uređaj priključen na mrežu za napajanje?



- ▶ Ima li električne energije u kući?
- ▶ Je li sobna temperatura viša od 35°C? Ako je tako, to je temperatura koja je izvan raspona rada ovog uređaja.
- ▶ Treba provjeriti je li mjerac vlage (ili prekidač ON / OFF), uključen.
- ▶ Treba provjeriti je li spremnik za vodu ispravno postavljen u uređaju ili nije pun.
- ▶ Treba provjeriti da izlazni i ulazni otvori nisu blokirani.

#### **CINI SE KAO DA UREDAJ NE RADI :**

- ▶ Je li filter prašnjav, onecišćen?
- ▶ Je li dovod i izlaz zraka blokirani?
- ▶ Da nije vlažnost okoline preniska?

#### **UREDAJ NE RADI DOVOLJNO UCINKOVITO:**

- ▶ Jesu li vrata i prozori previše otvoreni
- ▶ Nalazi li se u sobi nešto što stvara visoku vlažnost zraka?

#### **UREDAJ JE PREVIŠE GLASAN:**

- ▶ Treba provjeriti je li uređaj na ravnoj površini

#### **UREDAJ PROPUŠTA:**

- ▶ Treba provjeriti je li uređaj u dobrom tehničkom stanju.
- ▶ Ako se ne koristi opcija kontinuiranog odvođenja vode, treba provjeriti da li se gumena kapica (na dnu uređaja) nalazi na svom mjestu.

#### **Kodovi grešaka na displeju**

Kod	Uzrok	Rješenje
E1	Senzor temperature okoline (sa zaštitom od smole) je otvoren ili radi nepravilno zbog kratkog spoja	Provjeriti, je li senzor temperature okoline ispravno spojen na štampanu ploču.
		Zamijeniti senzor temperature
		Zamijeniti glavnu štampanu ploču
		Razina relativne vlage u zraku je ispod 40%
E2	Senzor sustava hlađenja (s bakarnim kućištem) je otvoren ili radi nepravilno zbog kratkog spoja.	Provjeriti, je li senzor pravilno priključen na štampanu ploču
		Zamijeniti senzor
		Zamijeniti glavnu štampanu ploču





## TURINYS

1...	<b>VEIKIMAS</b>
2...	<b>VIETOS PRIETAISUI PARINKIMAS</b>
3...	<b>REKOMENDACIJOS PRIEŠ PRIETAISO NAUDOJIMĄ</b>
4...	<b>DALYS</b>
5...	<b>NAUDOJIMAS</b>
6...	<b>VANDENS IŠLEIDIMAS</b>
7...	<b>VALYMAS</b>
8...	<b>GEDIMŲ ŠALINIMAS</b>

**PRIEŠ ŠIO PRIETAISO NAUDOJIMĄ ATIDŽIAI PERSKAITYKITE INSTRUKCIJĄ IR JOS NEIŠMESKITE.**

### ►► 1. VEIKIMAS

Šis prietaisas naudojamas oro sausinimui. Perleisdamas orą, prietaisas kontroliuoja santykinę drėgmę, o jos perteklius yra kondensuojamas ant šaldymo elementų. Kontaktas su šaltu paviršiumi lemia tai, kad oro drėgmė yra kondensuojama. Tuomet susikaupęs vanduo yra saugiai nuleidžiamas į vandens talpą. Nusausintas oras pereina per kondensatorių, kuriame yra šiek tiek pašildomas, o tuomet yra vėl išleidžiamas į patalpą. Jo temperatūra yra šiek tiek aukštesnė.

#### ► FIG. 1

1. SAUSAS ŠILTESNIS ORAS ,
2. KONDENSATORIUS,
3. GARINTUVAS – šaltas gyvatukas,
4. DRĖGMĖS PRISODRINTAS ORAS,
5. VANDENS TALPA,
6. KOMPRESORIUS,
7. MOTORE
8. ROTORE DEL VENTILATORE

### ►► 2. VIETOS PRIETAISUI PARINKIMAS

Drėgmės perteklius pasklinda visame name taip pat, kaip ir kvapas virimo metu. Todėl sausintuvas turi būti pastatytas tokioje vietoje, kur jis galėtų surinkti drėgną orą iš viso namo. Reikalui esant, jeigu didelis drėgmės kiekis bus vienoje vietoje, sausintuvą galima pastatyti arčiau tos vietos, o vėliau vėl jį pernešti į vietą, kur jis galės paimti orą iš viso namo.

Sausintuvo statymo metu įsitikinkite, kad statote jį ant lygaus pagrindo bei kad iš visų prietaiso pusių yra 10 cm (4") tuščios erdvės. Tai leis orui tinkamai cirkuliuoti. Šis sausintuvas turi ratukus, kurių dėka jį galima lengvai perstumti. Prieš perstatydami prietaisą, jį pirmiausiai išjunkite, o vandens talpą ištuštinkite.

Nerekomenduojama naudoti prailgintuvo, todėl įsitikinkite, kad prietaisas stovi pakankamai arti elektros lizdo. Jeigu būtinai turite panaudoti prailgintuvą, įsitikinkite, kad kabelio skersmuo yra mažiausiai 1 mm<sup>2</sup>. Sausintuvo darbo metu išorinės durys ir langai turi būti uždaryti, nes tai užtikrina geriausią prietaiso efektyvumą.

### ►► 3. REKOMENDACIJOS PRIEŠ PRIETAISO NAUDOJIMĄ

#### DĖMESIO!

Prietaisas visada turi būti vertikaloje padėtyje.

► Prietaisą reikia pastatyti vertikaloje padėtyje vienai valandai prieš įjungiant į elektros tinklą po transportavimo arba kuomet jis buvo palenktas (pvz., valymo metu).

► Visus pašalinius daiktus reikia laikyti toliau nuo oro įpūtimo ir išpūtimo angų.

► Elektros maitinimas turi visuomet atitikti technines specifikacijas, nurodytas techninių duomenų skydelyje, esančiame užpakalinėje prietaiso dalyje.

► Jeigu elektros kabelis yra pažeistas, jį turi būti pakeisti autorizuoto serviso darbuotojas arba asmuo, turintis atitinkamas kvalifikacijas, tam, kad būtų išvengta grėsmės.

► Prietaiso įjungimui ir išjungimui niekuomet nenaudokite kištuko. Visuomet naudokite jungiklį, esantį valdymo skydelyje.

► Prieš prietaiso perstatymą, reikia jį pirmiausiai išjungti, o tuomet ištuštinti vandens talpą.

► Nenaudokite aerosolių nuo vabzdžių ir kitų degių valymo priemonių.

► Jokių būdu negalima prietaiso aplieti ar aptaškyti vandeniu.

► ŠIUO PRIETAISU NEGALI NAUDOTIS ASMENYS (TAIP PAT IR VAIKAI), TURINTYS FIZINĘ, SENSORINĘ ARBA PROTINĘ NEGALIĄ, ARBA ASMENYS, NETURINTYS NAUDOJIMOSI PRIETAISU PATIRTIES, JEIGU JŪNEAPMOKŪŽ JŪSAUGĄ ATSAKINGAS ASMUI. ĮSITIKINKITE, KAD VAIKAI NEŽAIDŽIA ŠIUO PRIETAISU.

#### SVARBU!

Prietaiso nenaudokite, jeigu kambario temperatūra yra žemesnė nei 5°C, nes gyvatukas gali apledėti.

### ►► 4. DALYS

► Priekis FIG. 2

1. Valdymo pultas
2. Apšvietimas
3. Priekinė korpuso plokštė
4. Užpakalinė korpuso plokštė

► Užpakalinė dalis FIG. 3

5. Ventilacinis atvartas
6. Laikiklis
7. Oro įpūtimo anga / Filtrai
8. Vandens lygio reguliavimo langelis
9. Vandens talpa

## ►► 5. NAUDOJIMAS

► Valdymo skydelis FIG. 4

1. Drėgmės nustatymo mygtukas
2. Darbo režimo indikatorius (iššisinis, 40%, 50%, 60% arba 70% drėgmės)
3. Temperatūros ir (arba) drėgmės lygio displejus
4. Laikmačio darbo indikatorius
5. Temperatūros mygtukas
6. Jonizatoriaus bei TiO 2 indikatorius (papildoma funkcija, priklausanti nuo įsigyto modelio)
7. Indikatorius DŽIOVINTUVAS
8. Mygtukas DŽIOVINTUVAS
9. Didelio greičio ventiliacijos indikatorius
10. Greičio ir (arba) ventiliacijos mygtukas
11. Mažo greičio ventiliacijos indikatorius
12. Elektros maitinimo indikatorius
13. ON/OFF (elektros maitinimo) mygtukas
14. „Pilnos vandens talpos“ indikatorius
15. Mygtukas LAIKRODIS
16. Jonizatoriaus bei TiO 2 mygtukas (papildoma funkcija, priklausanti nuo įsigyto modelio)

► Apšvietimo funkcija:

Šviesiai mėlyna šviesa – patalpos drėgmė > 70%

Žalia šviesa - patalpos drėgmė 50~70%

Raudona šviesa - patalpos drėgmė < 50%

Mirganti raudona šviesa – pilna vandens talpa.

► Naudojimas

1. Įrenginį įjunkite į atitinkamą elektros lizdą. (Patikrinkite įtampos ir dažnio parametrus, nurodytus įrenginio vardinių parametrų lentelėje).
2. Norėdami įjungti prietaisą, paspauskite ON/OFF mygtuką. Pradės veikti kompresorius.
3. Norėdami pasirinkti darbo režimą, paspauskite drėgmės lygio nustatymo mygtuką (iššisinis, 40%, 50%, 60% arba 70% drėgmės režimas). Užsidegs atitinkamos vertės indikatorius.
4. Norėdami nustatyti didelio arba mažo greičio ventiliaciją, paspauskite greičio ir (arba) ventiliacijos mygtuką. Užsidegs atitinkamos vertės indikatorius.
5. Norėdami nustatyti įrenginio darbo laiką (1~24 valandos), paspauskite mygtuką LAIKRODIS. Displėjuje pasirodys pasirinktas laiko tarpas. Paspaudus mygtuką LAIKRODIS, displėjuje pamatysite pasirinktą laiką; nebespaudžiant mygtuko, po 8 sekundžių displėjuje bus vėl rodomas patalpoje esantis drėgmės lygis. Praėjus nurodytam laikui, kompresorius automatiškai išsijungs.
6. Paspaudus mygtuką „TEMP“, displėjuje bus rodoma patalpoje esanti temperatūra, atleidus mygtuką, po 8 sekundžių displėjuje bus vėl rodomas patalpoje esantis drėgmės lygis.
7. DŽIOVINTUVO funkcija įjungia turbo ventiliacijos darbo režimą, kas reiškia pastovų drėgmės patalpoje džiovinimą; ši funkcija leidžia džiovinti skalbinius.
8. Norėdami išjungti įrenginį, paspauskite ON/OFF mygtuką.
9. Išankstinių nuostatų funkcija (PRE\_SET). Paspaudus mygtuką LAIKRODIS, neįjungiant jokių kitų įrenginio funkcijų (įskaitant ir ON/OFF mygtukus), galite iš anksto nustatyti prietaiso darbo laiką. Pavyzdžiui, jei laikrodą nustatysite ant "2", įrenginys automatiškai įsijungs po 2 valandų.

## ►► 6. VANDENS IŠLEIDIMAS

Kuomet vandens talpa yra pilna, saugos tikslais kompresorius automatiškai išsijungs, o užsidegs raudona pilnos vandens talpos indikatorius lemputė

Norėdami išimti vandens talpą, ištraukite ją statmena įrenginiui kryptimi.

Išpylę vandenį, talpą vėl įstatykite į jos vietą. Įsitikinkite, ar ji yra tinkamai įstatyta: tuomet pilnos vandens talpos indikatorius lemputė užges ir sausintuvas automatiškai įsijungs.

Nepamirškite, kad jeigu talpa nebus įstatyta tinkamai, pilnos vandens talpos indikatorius lemputė visą laiką švies raudona šviesa.

## PASTOVUS VANDENS NUTEKĖJIMAS

Jeigu oro sausintuvas yra naudojamas labai drėgnoje patalpoje, talpą reikės dažnai ištuštinti. Tokiu atveju daug patogiau yra naudoti pastovaus talpos ištuštinimo režimą. Tam reikia atlikti tokius veiksmus:

1. Išimti vandens talpą (FIG. 5)
2. Prie angos prijungti žarną vandeniui, kurios skersmuo yra 11 mm (žarnos nėra įrenginio komplekte) (FIG. 6).
3. Patikrinti, ar žarna yra tinkamai pritvirtinta ir ar vanduo išteka be kliūčių. Dėmesio! Labai žemoje temperatūroje būtina žarną papildomai apsaugoti nuo užšalimo.
4. Vandens talpą įstatykite į jo vietą.

## ►► 7. VALYMAS

Prieš valymo ir taisymo darbus visuomet prietaisą išjunkite iš elektros tinklo.

### KORPUSO VALYMAS

Prietaiso valymui naudokite minkštą šluostę.

Jokiu būdu nenaudokite lakių cheminių medžiagų, tirpiklių, benzino, cheminio valymo būdu valytų drabužių bei kitų valymui naudojamų tirpiklių. Kiekviena iš šių medžiagų gali sugadinti prietaiso korpusą.

### FILTRO VALYMAS

Šis oro sausintuvo modelis turi 2 filtrų rūšis (FIG. 7):

#### 1. DULKIŲ FILTRAS

- Išimkite filtro laikiklį, išimkite aktyviosios anglies filtrą.
- Atsargiai išvalykite filtrą dulkių siurbliu arba nuskalaukite po tekančiu vandeniu. Jeigu filtras yra labai nešvarus, plaukite jį šiltu vandeniu su nedideliu švelnaus valiklio kiekiu.
- Prieš panaudojimą įsitikinkite, ar filtras yra visiškai sausas.

- Saugokite filtrą nuo tiesioginių saulės spindulių poveikio.

2. AKTYVIOSIOS ANGLIES FILTRAS (dulkių dalelių iš oro surinkimui bei apsaugai nuo bakterijų dauginimosi). Aktyviosios anglies filtras yra už dulkių filtro. Šio filtro negalima plauti. Aktyviosios anglies filtro patvarumas priklauso nuo sąlygų, esančių įrenginio darbo aplinkoje. Filtrą reikia periodiškai tikrinti ir, reikalui esant, keisti.

### LAIKYMAS

Jeigu prietaisas nebus naudojamas ilgesnį laiką, reikia jį išjungti. Išjunkite ir išvalykite elektros kabelį.

► Visiškai ištuštinkite ir sausai iššluostykite vandens talpą.

► Prietaisą pridenkite ir laikykite tokioje vietoje, kurioje jo neveiks saulės spinduliai.

## ►► 8. GEDIMŲ ŠALINIMAS

### **PRIETAISAS NEVEIKIA:**

- Ar prietaisas yra įjungtas į elektros tinklą?
- Ar namuose yra įjungta elektros srovė?
- Ar kambario temperatūra yra žemesnė nei 5°C arba aukštesnė nei 35°C? Jeigu taip, tai tokia temperatūra nėra darbinės prietaiso temperatūros ribose.
- Įsitikinkite, ar higrostatas (arba jungiklis ON/OFF) yra įjungtas.
- Patikrinkite, ar vandens talpa prietaise yra tinkamai įstatyta ir ar ji nėra pilna.
- Patikrinkite, ar oro įpūtimo ir išpūtimo angos nėra užkištos.

### **ATRODO, KAD PRIETAISAS NEVEIKIA:**

- Ar filtras nėra dulkinas arba purvinas?
- Ar oro įpūtimo ir išpūtimo angos nėra užkištos?
- Ar aplinkos drėgmė nėra per žema?

### **ATRODO, KAD PRIETAISAS VEIKIA NENAŠIAI:**

- Ar nėra per daug atidarytų durų ir langų?
- Ar patalpoje nėra ko nors, kas labai didina aplinkos drėgmę?

### **PRIETAISAS VEIKIA LABAI GARSIAI:**

- Patikrinkite, ar prietaisas stovi ant lygaus paviršiaus

### **IŠ PRIETAISO TEKA VANDUO:**

- Patikrinkite, ar prietaiso techninė būklė yra gera.
- Jeigu nenaudojate pastovaus vandens nuleidimo funkcijos, patikrinkite, ar guminė tarpinė (prietaiso apačioje) yra savo vietoje.

### **Codici di errore sul display**

Codice	Causa	Soluzione
E1	Il sensore di temperatura dell'ambiente (con un riparo di resina) è aperto o funziona male per cortocircuito	Controllare che il sensore di temperatura dell'ambiente sia correttamente collegato alla piastra PCB
		Sostituire il sensore di temperatura dell'ambiente.
		Sostituire la piastra PCB principale.
		Il livello di umidità dell'aria è inferiore al 40% di umidità relativa.
E2	Il sensore del sistema di refrigerazione (con riparo di rame) è aperto o funziona male per cortocircuito	Controllare che il sensore sia correttamente collegato alla piastra PCB
		Sostituire il sensore
		Sostituire la piastra PCB principale.



## SATURS

1...	<b>DARBĪBA</b>
2...	<b>NOVIETOŠANA</b>
3...	<b>IETEIKUMI PIRMS IERĪCES LIETOŠANAS</b>
4...	<b>SASTĀVDAĻAS</b>
5...	<b>LIETOŠANA</b>
6...	<b>ŪDENS IZVADE</b>
7...	<b>KONSERVĀCIJA UN UZTURĒŠANA</b>
8...	<b>KĻŪDU NOTEIKŠANA</b>

### **PIRMS IERĪCES LIETOŠANAS PRECĪZI IEPAZĪSTĪETIES AR INSTRUKCIJU UN SAGLABĀJIET TO TURPMĀKAJAI IZMANTOŠANAI.**

#### **►► 1. DARBĪBA**

Šī ierīce kalpo gaisa sausināšanai. Tā kontrolē relatīvo mitrumu, uzsūcot gaisu caur ierīci un kondensējot mitruma pārmērību uz dzesējošiem elementiem. Kontakts ar aukstu virsmu izraisa gaisa mitruma kondensāciju. Vēlāk kondensēts ūdens tiek droši izvadīts ūdens tvertnē. Izsusināts gaiss iziet caur kondensatoru, kur tas tiek nedaudz uzsildīts un pēc tam ievadīts atpakaļ telpā, pie kam tā temperatūra ir nedaudz augstāka.

#### **► FIG. 1**

1. SILTĀKS SAUSS GAISS,
2. KONDENSATORS,
3. IZTVAIKOTĀJS – auksta serpentīncaurule,
4. AR MITRUMU PIESĀTINĀTS GAISS,
5. ŪDENS TVERTNE,
6. KOMPRESORS,
7. DZINĒJS,
8. VENTILATORA ROTORS.

#### **►► 2. NOVIETOŠANA**

Mitruma pārmērība izplatās mājā, tādā pašā veidā kā smarža izplatās telpā, kurā vāra ēdienu. Tādēļ sausinātāju ir jānovieto tā, lai tas varētu uzsūkt mitru gaisu no visas mājas.

Gadījumā, ja vienā vietā uzradīsies problēma, sausinātāju var pārvietot tuvāk tai vietai, bet vēlāk jāpārvieto to uz centrālāku punktu.

Novietojot sausinātāju ir jāpārbauda, vai tas tiek uzstādīts uz līdzenas virsmas un ka no katras ierīces puses ir 10 cm (4") brīvas telpas, lai nodrošinātu ražīgu gaisa plūsmu. Sausinātājs ir aprīkots ar skrutiņiem lai nodrošinātu labāku manevrēšanu.

Pirms ierīces pārvietošanas izslēdziet sausinātāju un iztukšojiet ūdens tvertni.

Nav ieteicams lietot pagarinātāju, tādēļ ir jāpārbauda, ka ierīce atrodas pietiekami tuvu rozetei. Ja ir nepieciešams izmantot pagarinātāju, pārbaudiet, vai kabeļa vada diametrs ir vismaz 1 mm<sup>2</sup>.

Sausinātāja lietošanas laikā ārējām durvīm un logiem ir jābūt aizvērtiem lai nodrošinātu vislielāko ierīces ražību.

#### **►► 3. IETEIKUMI PIRMS IERĪCES LIETOŠANAS**

#### **UZMANĪBU!**

- Ierīcei ir vienmēr jāatrodas vertikālā stāvoklī.
- Ierīci ir jāatstāj uz vienu stundu vertikālā stāvoklī pirms pievienošanas pie enerģijas avota pēc transportācijas, vai gadījumā ja tas tika noliekts (piem. tīrīšanas laikā)
- Visus svešķermeņus ir jāpatur tālu no gaisa ieplūdes uz izplūdes caurumiem.
- Elektroapgādei ir jāatbilst specifikācijai norādītai uz datu plāksnītes, novietotas ierīces aizmugurē.
- Ja barošanas vads ir bojāts, to ir jānomaina. To var veikt autorizēts servisa pārstāvis vai persona ar atbilstošām kvalifikācijām, lai izvairītos no briesmām.
- Ierīces ieslēgšanai un izslēgšanai nekādā gadījumā neizmantojiet kontaktdakšu. Vienmēr ir jāizmanto slēdzi uz vadības pults.
- Pirms ierīces pārvietošanas izslēdziet sausinātāju un iztukšojiet ūdens tvertni.
- Nelietojiet aerosolus pret tārpiem un citus viegli uzliesmojošus tīrīšanas līdzekļus.
- Nekāda gadījumā ierīci nedrīkst apliet vai apsmidzināt ar ūdeni.
- ŠĪ IERĪCE NAV PAREDZĒTA PERSONĀM (IESKAITOT BĒRŅUS) AR IEROBEŽOTĀM FIZISKAJĀM, SENSORISKAJĀM VAI PSIHISKAJĀM SPĒJĀM VAI PERSONĀM BEZ PIEREDZES UN APMĀCĪBAS NO ATBILDĪGAS PAR DROŠĪBU PERSONAS PUSES. BĒRNIEM NEDRĪKST SPĒLĒT AR IERĪCI.

#### **SVARĪGI!**

Neizmantojiet ierīci ja telpas temperatūra ir zemāka par 5°C lai izvairītos no iztvaikotāja serpentīncaurules apledošanas.

#### **►► 4. SASTĀVDAĻAS**

- Priekšpuse FIG. 2
  1. Vadības panelis
  2. Apgaismošana
  3. Priekšēja plāksnīte
  4. Aizmugurēja plāksnīte
- Aizmugure FIG. 3
  5. Ventilācijas vāks
  6. Rokturis
  7. Gaisa ieplūde / Filtri
  8. Ūdens līmeņa regulācijas logs
  9. Ūdens tvertne

#### **►► 5. LIETOŠANA**

- Vadības pults FIG. 4
  1. Mitruma uzstādīšanas poga

2. Darba režīma rādītājs (pastāvīgs darbs, mitrums 40%, 50%, 60%, 70%)
3. Temperatūras/mitruma displejs
4. Laikdeva darba rādītājs
5. Poga temperatūras parādīšanai
6. Jonizatora un TiO 2 rādītājs (papildu funkcijas, atkarīgi no pirktā modeļa)
7. Rādītājs SUSINĀTĀJS
8. Poga SUSINĀTĀJS
9. Ventilācijas augstā ātruma rādītājs
10. Ātrums/ventilācija poga
11. Ventilācijas zemā ātruma rādītājs
12. Barošanas rādītājs
13. ON/OFF poga (barošana)
14. „Ūdens aizpildīšanas” rādītājs
15. Poga PULKSTENIS
16. Jonizatora un TiO 2 poga (papildu funkcijas, atkarīgi no pirktā modeļa)

► Apgaismošanas funkcija:

Zila gaisma - gaisa mitrums > 70%

Zaļa gaisma - gaisa mitrums > 50~70%

Sarkana gaisma - gaisa mitrums < 50%

Mirgojoša sarkana gaisma - ūdens aizpildīšanas signalizācija

► Lietošana

1. Pieslēdziet ierīci pie attiecīgas barošanas ligzdas. (Lūdzam pārbaudīt sprieguma/frekvences vērtību uz ierīces nominālas tabuliņas).

2. Piespiediet ON/OFF pogu, lai iedarbināt ierīci. Kompresors sāks funkcionēt.

3. Piespiediet mitruma uzstādīšanas pogu, lai izvēlēt darba režīmu: pastāvīgais darbs, mitruma līmenis 40%, 50%, 60% vai 70%. Uzliesmos attiecīgs izvēlētas vērtības rādītājs.

4. Piespiediet ātrums/ventilācija pogu, lai noteikt ventilācijas ātrumu, augstu vai zemu. Uzliesmos attiecīgs izvēlētas vērtības rādītājs.

5. Piespiediet PULKSTENIS pogu, lai noteikt nepieciešamu darba laiku (1~24 stundas). Pēc PULKSTENIS pogas piespiešanas displejs parādīs aktuāli izvēlētu laiku, pēc apm. 8 sekundēm displejs atkārtoti sāks attēlot telpas mitruma līmeni. Pēc attiecīga laika pabeigšanas kompresors automātiski izslēgs.

6. „TEMP” poga ierosinās aktuālas telpas temperatūras demonstrēšanu, pēc apm. 8 sekundēm displejs atkārtoti sāks attēlot telpas mitruma līmeni.

7. SUSINĀTĀJS funkcija ieslēdz ventilācijas sistēmas turbo režīmu, kas atļauj pastāvīgi susināt mitrumu no gaisa, funkcija atļauj susināt mazgātu veļu.

8. Lai izslēgt ierīci, piespiediet ON/OFF pogu.

9. Agrākas ieslēgšanas funkcija (PRE-SET), ar pogu PULKSTENIS, bez citu ierīces funkciju ieslēgšanas (arī ON/OFF pogas), atļauj programmēt ierīces ieslēgšanas laiku / Piem, kad pulkstenis ir uzstādīts uz '2', ierīce iedarbinās automātiski pēc 2 stundām.

►► 6. ŪDENS IZVADE

Kad ūdens tvertne ir pilna, kompresors automātiski izslēgs pēc drošības iemesliem, un ūdens aizpildīšanas rādītājs uzliesmos ar sarkanu krāsu.

Lai noņemtu ūdens tvertni, izbāziet to perpendikulāri no ierīces.

Pēc ūdens tvertnes iztukšošanas novietojiet to uz vietas. Pārbaudiet, vai tvertne ir pareizi novietota, tad aizpildīšanas signāls izslēgs un susinātājs ieslēgs.

Kad ūdens tvertne nav pareizi novietota, aizpildīšanas signāls turpinās spīdēšanu ar sarkanu krāsu.

**PASTĀVĪGĀ ŪDENS IZVADE**

Gadījumā, kad susinātājs ir izmantots augstā mitruma apstākļos, ūdens tvertni būs nepieciešami biežāk iztukšot. Tādā situācijā ērtāk būs pārslēgt ierīci uz pastāvīgu tvertnes iztukšošanu, lai to darīt, veiciet sekojošu darbību:

1. Noņemiet ūdens tvertni (FIG. 5).

2. Pieslēdziet ūdens vadu pie izejas caurumu ar diametru: 11 mm (vads nav piegādāts komplektā ar ierīci) (FIG. 6).

3. Pārbaudiet, vai vads ir attiecīgi piestiprināts un ūdens var tecēt bez traucējumiem. Uzmanību! Ļoti zemās temperatūras jāpasargā vads no sasalšanas.

4. Novietojiet ūdens tvertni savā vietā.

►► 7. KONSERVĀCIJA UN UZTURĒŠANA

Pirms ierīces konservācijas vai tīrīšanas uzsākšanas, ierīci vienmēr ir jāatslēdz no enerģijas avota.

**KORPUSA TĪRĪŠANA**

Lai notīrītu ierīci, izmantojiet mīkstu švammi.

Nekāda gadījuma neizmantojiet gaistošas ķīmikālijas, detergentus, degvielu, ķīmiski apstrādātas drānas vai citus tīrīšanas šķīdumus. Katra no šīm vielām var bojāt ierīces apvalku.

**FILTRA TĪRĪŠANA**

Šis susinātāja modelis ir apgādāts ar 2 filtru veidiem (FIG. 7):

1. PRETPUTEKĻU FILTRS

- Noņemiet filtra fiksēšanu, noņemiet aktīvas ogles filtru.

- Delikāti notīrīt filtru ar putekļu sūcēju vai noskalot zem ūdens. Ja filtrs ir stipri piesārņots, izmantot siltu ūdeni ar delikāta deterģenta nelielu daudzumu.

- Pārbaudiet, vai filtrs ir pilnīgi sauss pirms atkārtotas izmantošanas.

- Nedrīkst atstāt filtru zem tiešiem saules stariem.

2. AKTĪVS OGLES FILTRS (putekļu daļiņu absorbēšanai no gaisa un baktēriju attīstības ierobežošanai)

Aktīvs ogles filtrs atrodas aiz pretputekļu filtra, un otrādi, tas nav mazgājams. Ogles filtra izturība ir atkarīga no apkārtnes apstākļiem vietā, kur ierīce ir izmantota. Filtrs jābūt periodiski pārbaudīts un mainīts pēc nepieciešamības.

**UZGLABĀŠANA**

Ja ierīce netiek izmantota ilgāko laiku, to ir jāizslēdz. Barošanas vadu ir jāatslēdz un jāiztīra:

► Pilnīka ir jāiztukšo un līdz sausumam jānotīra ūdens tvertne.

► Ierīci ir jānoglabā vietā, kas būs pasargāta no saules stariem.

►► 8. KĻŪDU NOTEIKŠANA

**IERĪCE NEDARBOJĀS:**

► Vai ierīce ir pievienota pie elektrotīkla?

► Vai mājā ir elektrība?

► Vai vides temperatūra ir zemāka par 5°C vai augstāka par 35°C? Ja tā ir, tad temperatūra ir ārpus ierīces darbības diapazona.



- ▶ Ir jāpārbauda vai higrostats (vai ON/OFF pārslēgs) ir ieslēgts.
- ▶ Ir jāpārbauda vai ūdens tvertne ir pareizi novietota un nav pilna.
- ▶ Ir jāpārbauda, vai gaisa ieplūdes un izplūdes caurumi nav nobloķēti,

#### **LIEKĀS KA IERĪCE NEKO NEDARA:**

- ▶ Vai filtrs nav putekļains, netīrs?
- ▶ Vai gaisa ieplūdes un izplūdes caurumi nav nobloķēti?
- ▶ Vai gaisa mitrums nav jau pārāk zems?

#### **LIEKĀS KA IERĪCE NESTRĀDĀ RAŽĪGI:**

- ▶ Vai nav pārāk daudz atvērtu durvju un logu?
- ▶ Vai telpā atrodas kaut kas, kas izraisa lielu mitrumu?

#### **IERĪCE IR PĀRĀK SKAĻA**

- ▶ Ir jāpārbauda vai ierīce ir novietota uz līdzenas virsmas

#### **IERĪCE SŪCĀS**

- ▶ Ir jāpārbauda vai ierīce ir labā tehniskā stāvoklī.
- ▶ Ja jūs neizmantojiet pastāvīgās ūdens izvades opciju, pārbaudiet vai gumijas aizbāznis atrodas savā vietā (ierīces apakšdaļā)

#### **Kļūdu kodi uz displeja**

Kods	Cēlonis	Risinājums
E1	Apkārtnes temperatūras devējs (ar sveķu apvalku) ir atvērts vai nepareizi funkcionē pēc īsslēguma.	<p>Pārbaudīt, vai apkārtnes temperatūras devējs ir attiecīgi pieslēgts pie drukātas plāksnītes.</p> <p>Mainīt apkārtnes temperatūras devēju.</p> <p>Mainīt galveno drukāto plāksnīti.</p> <p>Gaisa mitruma līmenis ir zemāks par relatīvā mitruma 40%.</p>
E2	Dzesēšanas sistēmas devējs (ar vara apvalku) ir atvērts vai nepareizi funkcionē pēc īsslēguma.	<p>Pārbaudīt, vai devējs ir attiecīgi pieslēgts pie drukātas plāksnītes.</p> <p>Mainīt devēju.</p> <p>Mainīt galveno drukāto plāksnīti.</p>



# KASUTAMISE JUHEND

1...	<b>TÖÖVIIS</b>
2...	<b>PAIGALDAMINE</b>
3...	<b>SOOVITUSED ENNE SEADME KASUTAMIST</b>
4...	<b>OSAD</b>
5...	<b>KÄSITLEMINE</b>
6...	<b>VEE EEMALDAMINE</b>
7...	<b>KONSERVEERIMINE JA HOOLDUS</b>
8...	<b>RIKETE LEIDMINE</b>

## ENNE ALLTOODUD SEADME KASUTAMIST TULEB ÜKSIKASJALIKULT TUTVUDA ALL TOODUD KASUTAMISE JUHENDIGA JA SÄILITADA KASUTAMISEKS TULEVIKUS.

### ►► 1. TÖÖVIIS

Siintoodud seade on ette nähtud õhu kuivatamiseks. Seade reguleerib relatiivset õhuniiskust, lastes õhu läbi seadme, eemaldades sel viisil üleliigse niiskuse, mis koguneb külmadel spiraalitorudel. Õhus sisalduv niiskus kondenseerub külma pinnaga kokkupuutumisel. Järgnevalt, sel viisil tekkinud veepiisad eemaldatakse ohutult veemahutisse. Kuivatatud õhk liigub edasi läbi kondensaatori, kus lisaks veel soojendatakse natuke ja uuesti viiakse ruumi ringlusesse juba kõrgema temperatuuriga võrreldes ümbruskonnaga.

#### ► FIG. 1

1. KUIV SOOJENDATUD ÕHK,
2. KONDENSAATOR,
3. AURUSTI (külm spiraalatoru),
4. NIISKE ÕHK,
5. VEEMAHUTI,
6. KOMPRESSOR,
7. MOOTOR,
8. VENTILAATORI ROOTOR.

### ►► 2. PAIGALDAMINE

Üleliigne niiskus kandub mööda maja laiali sama moodi, kui lõhn söögi valmistamise käigus, mis liigub mööda tuba. Sellepärast peab õhukuivati olema paigutatud sellises kohas, kust oleks tal võimalikult lihtne korjata niiskust antud ruumist.

Kui ühes kohas tekib päris tõsine probleem niiskusega, siis on võimalik, et paigutame õhukuivati just selle koha lähedusse ja hiljem paigutame ta jälle üle oma endise koha peale.

Õhukuivati paigutamise käigus, peame veenduma, et seade on paigutatud sirgel pinnal ning et seade on ümbritsetud vähemalt 10 cm (4") vaba ruumiga, et kindlustada efektiivset õhu läbivoolu.

Allpool kirjeldatud õhukuivati on varustatud reguleeritavate ratastega, et kindlustada seadme paremat mobiilsust. Enne seadme ümbertõstmist tuleb ilmingimata lahti ühendada kaabel vooluvõrgust ja tühjendada veemahuti veest.

Ei ole soovitatud kasutada pikendusjuhet, seoses millega tuleb veenduda, kas seade asub voolupistikuga läheduses. Äärmisel juhul, kui pikendusjuhe kasutamine on vältimatu, siis tuleb ülekontrollida, et juhtme läbimõõt ei oleks väiksem, kui 1 mm<sup>2</sup>.

Õhukuivati töö käigus tuleb jälgida, et välisüksed ja aknad

oleksid kinni, et kindlustada seadme kõige kõrgemat tööefektiivsust.

### ►► 3. SOOVITUSED ENNE SEADME KASUTAMIST

#### TÄHELEPANU!

- Seade peab alati asuma vertikaalasendis;
- Peale seadme transportimist või hooldustööde tegemist (seade oli kallutatud külje peale) lasta seadmel enne elektritoitega ühendamist seista vähemalt üks tund vertikaalasendis;
- Kõiksugu võõrkehade tuleb hoida ohutus kauguses, seadme sisse- ja väljalaske avadest;
- Toitepinge peab vastama seadme tagaküljel oleval andmesildil näidatule;
- Kui seadme toitekaabel on vigastatud, tuleb viimane välja vahetada autoriseeritud hooldusesindaja poolt või vastavate kvalifikatsioonidega elektrikuga poolt, et vältida ohtu tervisele;
- Mitte mingil juhul ei tohi kasutada toitekaablit seadme sisse- ja väljalülitamiseks. Alati tuleb kasutada lüliti, mis on paigutatud juhtimispaneelil;
- Enne seadme koha muutmist, tuleb seade välja lülitada ja tühjendada veemahuti;
- Seadme läheduses ei ole lubatud kasutada putukatõrje aerosoole või teisi kergestiühtivaid puhastusvahendeid;
- Mitte mingil juhul, ei tohi seadet kasta ega pritsida tema peale vett.
- KÄESOLEV SEADE EI OLE MÕELDUD KASUTAMISEKS PIIRATUD FÜÜSILISTE, SENSOORSETE VÕI VAIMSETE VÕIMETEGA ISIKUTELE (ERITI LASTELE), SAMUTI PIISAVATE OSKUSTETA ISIKUTELE, KEDA NENDE ISIKUTE TURVALISUSE EEST VASTUTAVAD ISIKUD EI OLE ÕPETANUD SEADET KASUTAMA. ÄRGE LUBAGE LASTEL SEADMEGA MÄNGIDA.

#### TÄHTIS!

Seadet ei tohi kasutada ruumides, kus toatemperatuur on vähem kui 5°C, et vältida aurusti keerdtorustiku külmumise ohtu.

### ►► 4. OSAD

- Eespool FIG. 2
- 1. Juhtpaneel
- 2. Taustavalgustus
- 3. Esiplaat
- 4. Tagaplaad

- ▶ Tagapool FIG. 3
- 5. Tuuleklapp
- 6. Käepide
- 7. Öhu sisenemine / Filtrid
- 8. Vee taseme jälgimise aken
- 9. Veemahuti

## ▶▶ 5. KÄSITLEMINE

- ▶ Juhtimise paneel FIG. 4
- 1. Õhuniiskuse seadenupp
- 2. Töörežiimi näidik (pidev töö, õhuniiskus 40%, 50%, 60%, 70%)
- 3. Õhuniiskuse/temperatuuri näidik
- 4. Ajasti kasutamise signaaltuli
- 5. Temperatuurikuva nupp
- 6. Ioniseerija või TiO<sub>2</sub> näidik (need on valikulised funktsioonid, sõltuvalt ostetud mudelist)
- 7. KUIVATI signaaltuli
- 8. KUIVATI nupp
- 9. Rohke ventileerimise signaaltuli
- 10. Kiiruse/Ventilatsiooni nupp
- 11. Vähese ventileerimise signaaltuli
- 12. Toite signaaltuli
- 13. SISSE/VÄLJA (toide) nupp
- 14. "Vett täis" signaaltuli
- 15. TAIMERI nupp
- 16. Ioniseerija või TiO<sub>2</sub> nupp (ostetud mudelist sõltuv valikuline funktsioon)

- ▶ Taustavalgustuse omadused:
- Sinine valgus - toa õhuniiskus > 70%
- Roheline valgus - toa õhuniiskus 50~70%
- Punane valgus - toa õhuniiskus < 50%
- Vilkuv punane valgus - vett täis -häire

### ▶ Käsitlemine

1. Ühenda seade õigesse seinakontakti. (Palun vaata tagaosa andmesildilt seadme õiget pinget/sagedust.)
2. Vajuta seadme sisse lülitamiseks nupule SISSE/VÄLJA. Kompressor hakkab tööle.
3. Vajuta soovitud töörežiimi seadmiseks õhuniiskuse seadenupp: pidev töö, õhuniiskus 40%, 50%, 60% või 70%. Süttib vastav signaaltuli.
4. Vajuta kiiruse/ventilatsiooni nuppu ventilatsiooni kiiruse määramiseks: rohke või vähene. Süttib vastav signaaltuli.
5. Vajuta nupule TAIMER soovitud tööaja tundide seadmiseks (1~24 tundi). Vajutades nupule TAIMER, kuvatakse näidikul seadistatud tund/tunnid ja umbes 8 sekundit pärast selle vabastamist taastub näidikul ruumi õhuniiskuse näit. Kui määratud aeg on täis, peatub kompressori töö automaatselt.
6. Vajutades nupule "TEMP", kuvatakse näidikul toatemperatuur, umbes 8 sekundit pärast nupu vabastamist taastub näidikul ruumi õhuniiskuse näit.
7. KUIVATI funktsioon on võimendatud ventilatsioon õhuniiskuse pidevaks eemaldamiseks, et see võiks aidata pesu kuivatada.
8. Seadme välja lülitamiseks vajuta uuesti nuppu SISSE/VÄLJA.
9. Eelhäälestamine Vajutades nuppu TAIMER muid funktsioone (sh SISSE/VÄLJA nupp) sisse lülitamata, saad masina tööaega EELSEADA. Näiteks, vajutades taimeril '2', hakkab seade automaatselt 2 tunni pärast tööle.

## ▶▶ 6. VEE EEMALDAMINE

Kui veepaak on täis, peatub kompressor enesekaitseks ja veega täitumist näitav signaaltuli muutub punaseks. Veemahuti teisaldamiseks tõmba see täisnurga all seadmest välja.

Pärast veemahuti tühjendamist aseta veemahuti oma kohale tagasi. Veendu selle õiges asendis, et 'vett täis' -tähis kaoks ja sinu õhukuivati hakkaks tööle.

Palun pane tähele, et kui veemahuti pole korralikult paigas, muutub 'vett täis' -signaaltuli punaseks.

## ▶▶ PIDEV VEE EEMALDAMINE

Kui õhukuivati töötab väga rohke niiskusega õhus, on vajalik veemahuti sagedam tühjendamine. Sel juhul võib olla mugavam määrata seadme pidev äravool järgmiste protseduuridega:

1. Eemalda veemahuti (FIG. 5).
2. Ühenda äravooluava veevoolikuga, mille siseläbimõõt on 11 mm (veevoolik pole seadmega kaasas) (FIG. 6).
3. Veendu, et vesi voolaks alati vabalt ära ja voolik jääks õigesse kohta. Pane tähele! Väga külma ilma puhul tuleb rakendada ettevaatusabinõusid, et vältida veevooliku külmumist.
4. Pane veemahuti tagasi oma kohale.

## ▶▶ 7. KONSERVEERIMINE JA HOOLDUS

ENNE SEADME KONSERVEERIMISE VÕI PUHASTAMISE TÖÖDE ALUSTAMIST, TULEB ALATI LAHTI ÜHENDADA VOOLUVÕRGUST!

### SEADME KERE PUHASTAMINE

Et puhastada seadet, tuleb kasutada pehmet kaltsu. Mitte mingil juhul ei tohi kasutada auruvaid keemilisi vedelikke, puhastusvahendeid, bensiini, riideid, mis olid keemiliselt töödeldud või teisi puhastus lahusteid. Nende kasutamine võib jäädavalt vigastada seadme korpust.

### FILTRI PUHASTAMINE

See õhukuivati on varustatud 2 filtriga (FIG. 7):

1. TOLMUFILTER
  - Eemalda filtrihoidja, eemalda aktiivsõefilter.
  - Kasuta tolmuimejat või koputa filtrit kergelt selle lihtsaks puhastamiseks. Kui filter on eriti määrdunud, kasuta sooja vett vähese koguse keskmise tugevusega pesuvahendiga.
  - Veendu, et filter on enne tagasi asetamist täiesti kuiv.
  - Ära jäta filtrit päikesevalguse kätte.
2. AKTIIVSÕEFILTER (õhus hõljuvate tolmuosakeste püüdmiseks ja bakterite paljunemise takistamiseks.)
  - Tolmufiltri all asuv aktiivsõefilter ei ole pestav. Selle eluiga varieerub ja sõltub seadme kasutamiskeskonna tingimustest. Filtrit tuleb regulaarselt kontrollida ja vajadusel vahetada.

### LADUSTAMINE

Kui seade ei ole kasutusel pikemat aega, tuleb ta välja lülitada. Voolukaabel eemaldada vooluvõrgust ja ära puhastada:

- ▶ Täielikult tühjendada veemahuti ja kuivatada.
- ▶ Seade tuleb katta ja säilitada kohas, kus ta ei ole päikesekiirguse mõju all.

## ►► 8. RIKETE LEIDMINE

### SEADE EI TÖÖTA:

- Kas seade on ühendatud vooluvõrku?
- Kas majas on sisselülitatud vool?
- Kas ruumi temperatuur on madalam kui 5°C või rohkem kui 35°C? Kui nii, siis on see temperatuur, mis on seadme töökorrast väljaspool.
- Tuleb ülekontrollida, kas niiskuseandur (või lüliti ON/OFF) on sisselülitatud.
- Tuleb ülekontrollida, kas veemahuti on õieti paigutatud või kas ei ole veega täitunud.
- Tuleb ülekontrollida, kas õhu sisse- ja väljapääs ei blokeeritud.

### TUNDUB, ET SEADE EI TÖÖTA:

- Kas filter on tolmunud, määrdunud?
- Kas õhu sisse- ja väljapääs on blokeeritud?
- Kas ümbruskonna niiskus ei ole liiga madal?

### TUNDUB, ET SEADE EI TÖÖTA EFEKTIIVSELT:

- Kas on avatud liiga palju uksi ja aknaid?
- Kas samas ruumis on midagi, mis kutsub esile kõrge niiskuse taseme?

### SEADE ON LIIGA KÄRARIKAS:

- Tuleb kontrollida, kas seade on paigutatud sirgele pinnale.

### SEADE LASEB LÄBI:

- Tuleb veenduda, et seade on heas tehnilises seisukorras.
- Kui seadmes ei ole kasutusel pidev vee eemaldamine, tuleb veenduda, et kummist kork (seadme all osas) on ikka oma kohapeal.

### Veakoodid displeil

Kood	Põhjus	Lahendus
E1	Keskkonna temperatuuri andur (vaigust kattega) on avatud või töötab häiretega lühise tõttu	Kontrollige, kas keskkonna temperatuuri andur on õieti ühendatud trükkplaadiga.
		Vahetage välja keskkonna temperatuuri andur.
		Vahetage välja peamine trükkplaat.
E2	Jahutussüsteemi andur (vasest kattega) on avatud või töötab häiretega lühise tõttu.	Õhu niiskustase on alla 40% relatiivsest niiskusest.
		Kontrollige, kas andur on õieti ühendatud trükkplaadiga.
		Vahetage andur välja.
		Vahetage välja peamine trükkplaat.



## CUPRINS

1...	<b>FUNȚIONAREA</b>
2...	<b>AMPLASAREA</b>
3...	<b>RECOMANDARI ÎNAINTE DE UTILIZARE</b>
4...	<b>PIESE</b>
5...	<b>DESERVIREA</b>
6...	<b>EVACUAREA APEI</b>
7...	<b>CURATARE SI PASTRARE</b>
8...	

**ÎNAINTE DE A SE UTILIZA ACEST APARAT, VA RUGAM SA CITITI CU ATENTIE ACEASTA INSTRUCȚIUNE SI SA O PASTRATI PENTRU O VIITOARE UTILIZARE.**

### ►► 1. FUNȚIONAREA

Acest produs este folosit pentru uscarea aerului. Acesta controlează umiditatea relativă prin trecerea aerului prin aparat, care conduce la condensarea excesivă a umidității pe elementele de răcire. Contactul cu suprafața rece cauzează condensarea umezelii din aer. Apa condensată este în siguranță colectată în rezervorul de apă. Aerul uscat trece prin condensator, în care este ușor încălzit și apoi reîntra în camera, dar atunci temperatura lui este puțin mai ridicată.

#### ► FIG. 1

1. orificiul de evacuare a aerului uscat
2. condensator 3-vaporizator
4. orificiul de admisie a aerului umed
5. rezervor pentru apă
6. compresor
7. motor
8. rotorul ventilatorului

### ►► 2. AMPLASAREA

Excesul de umiditate se va răspândi în întreaga casă în același fel ca mirosul care se răspândește în jurul camerei în timpul gătitului. Din acest motiv, aparatul ar trebui să fie plasat astfel încât să poată atrage aerul umed din toată casa. Opțional, în cazul în care într-un singur loc va apărea o problemă gravă, este posibil ca dehumidificatorul să fie amplasat lângă acest loc, și apoi să fie amplasat într-un punct mai central.

În timpul amplasării dehumidificatorului, asigurați-vă că acesta este amplasat pe o suprafață plană și că pe fiecare parte a aparatului există un spațiu de 10 cm (4"), pentru a permite fluxul eficient de aer. Acest dehumidificator este dotat cu roți, pentru a asigura o mai mare mobilitate. Atunci când dehumidificatorul este deplasat, acesta trebuie înaintea oprit, iar rezervorul de apă trebuie golit.

Nu se recomandă folosirea prelungitorului, prin urmare, trebuie să vă asigurați că dehumidificatorul este suficient de aproape de priză. Dacă este nevoie de folosirea prelungitorului, trebuie să vă asigurați că diametrul firelor cablului este de cel puțin 1 mm<sup>2</sup>. În timpul funcționării dehumidificatorului, dacă este necesar, usa de la intrare și ferestrele trebuie să fie închise pentru a asigura o eficacitate mai mare a aparatului.

### ►► 3. RECOMANDARI ÎNAINTE DE UTILIZARE

#### ATENȚIE!

- aparatul trebuie să fie întodeauna în poziție verticală;
- aparatul trebuie să fie lăsat timp de o oră într-o poziție verticală înainte de conectarea la rețeaua de alimentare după ce a fost transportat sau atunci când a fost înclinat (de exemplu, în timpul curățării);
- orice corp străin ar trebui să fie ținut departe de orificiile de intrare și ieșire a aerului;
- tensiunea de alimentare trebuie să respecte specificațiile indicate pe plăcuța de fabricație din spatele aparatului;
- în cazul în care cablul de alimentare este deteriorat, acesta trebuie înlocuit de către reprezentantul autorizat al service-ului (o persoană cu calificare corespunzătoare) pentru a evita pericolele.
- pentru a porni și opri aparatul, în niciun caz nu folosiți fișa. Utilizați întodeauna întrerupătorul de pe panoul de control;
- înainte ca aparatul să fie deplasat, trebuie mai întâi să fie oprit, iar apoi golit rezervorul de apă;
- nu trebuie să folosiți aerosoli împotriva viermilor sau alte produse de curățare care sunt inflamabile;
- în niciun caz aparatul nu trebuie udat sau stropit cu apă.
- ACEST APARAT NU ESTE DESTINAT PENTRU A FI UTILIZAT DE CĂTRE PERSOANELE (INCLUSIV CU COPILII) CUCAPACITĂȚII FIZICE, SENZORIALE ȘI MENTALE REDUSE, SAU DE PERSOANE FĂRĂEXPERIENȚĂ, CARE NU AU FOST ȘCOLARIZATE DE CĂTRE PERSOANA RESPONSABILĂ DE SIGURANȚA LOR. TREBUIE SĂ FIȚI ATENȚI CA, COPILII SĂ NU SE JOACE CU APARATUL.

#### IMPORTANT!

Nu trebuie folosit la o temperatură a camerei sub 5°C pentru a preveni înghețarea evaporatorului.

### ►► 4. PIESE

- Fata FIG. 2
- 1. Panou comandă
- 2. Iluminare
- 3. Placă frontală
- 4. Placă din spate



- Spate FIG. 3
- 5. Clapă de ventilație
- 6. Mâner
- 7. Orificiul de admisie a aerului / Filtrele
- 8. Fereastra pentru observarea nivelului de apă
- 9. Rezervor de apă

## ►► 5. DESERVIREA

### ► FIG. 4

1. Buton de selectare a umidității
2. Indicator de mod de funcționare (continuă, umiditate 40%, 50%, 60%, 70%)
3. Indicator temperatură/umiditate
4. Indicator de funcționare a ceasului
5. Buton pentru afișarea temperaturii
6. Indicator ionizator precum și TiO 2 (funcții opționale în funcție de modelul achiziționat)
7. Indicator DEZUMIDIFICATOR
8. Buton DEZUMIDIFICATOR
9. Indicator viteză mare de ventilare
10. Buton de viteză/ventilare
11. Indicator viteză mică de ventilare
12. Indicator alimentare
13. Buton ON/OFF (alimentare)
14. Indicator „Umplere Apă”
15. Buton CEAS
16. Buton pentru ionizator precum și TiO 2 (funcții opționale în funcție de modelul achiziționat)

### ► Funcția iluminare:

- Lumină albastră – umiditatea din încăpere > 70%
- Lumină verde – umiditatea din încăpere 50~70%
- Lumină roșie – umiditatea din încăpere < 50%
- Lumină roșie intermitentă – alarma de umplere cu apă

### ► Deservirea

1. Conectați aparatul la rețeaua de alimentare corespunzătoare. (Vă rog să verificați valoarea tensiunii/frecvenței pe plăcuța de fabricație a dispozitivului).
2. Apăsăți butonul de ON/OFF, pentru pornirea dispozitivului. Compresorul începe să funcționeze.
3. Apăsăți butonul de setare a umidității ca să alegeți modul de lucru: continuu, nivel de umiditate 40%, 50%, 60% sau 70%. Se va aprinde indicatorul corespunzător pentru valoarea aleasă.
4. Apăsăți butonul viteză/ventilare pentru a seta viteza de ventilare mai mare sau mică. Se va aprinde indicatorul corespunzător pentru valoarea aleasă.
5. Apăsăți butonul CEAS, pentru a seta timpul de lucru așteptat (1~24 ore) După apăsarea butonului CEAS ecranul va indica ora aleasă, micșorați timp de 8 secunde pentru ca ecranul să revină la modul de indicare a umidității din încăpere. După expirarea orelor indicate, compresorul de va opri automat.
6. Butonul „TEMP” afișează temperatura actuală din încăpere, micșorați timp de 8 secunde pentru ca ecranul să revină la modul de indicare a umidității din încăpere.
7. Funcția DEZUMIDIFICATOR pornește modul turbo a sistemului de ventilație, ceea ce duce la o continuă eliminare a condensului din aer, această funcție permite uscare rufelor.
8. Ca să opriți aparatul, apăsați butonul ON/OFF.
9. Funcția PRE-SET, cu ajutorul butonului CEAS fără pornirea altor funcții ale dispozitivului (de asemenea butonul

ON/OFF), se poate programa ora de pornire a mașini/ De exemplu, dacă se va seta ceasul la '2', dispozitivul va porni automat după 2 ore.

## ►► 6. EVACUAREA APEI

Când rezervorul de apă este plin, compresorul se va opri automat pentru siguranță, iar indicatorul de plin cu apă se va aprinde roșu.

Pentru a îndepărta rezervorul de apă, scoateți perpendicular din dispozitiv.

După golirea rezervorului de apă, puneți-l la loc. Asigurați-vă că este amplasat corect, atunci indicatorul se va stinge iar dezumidificatorul va porni din nou.

Rețineți că, în cazul în care rezervorul nu este introdus corect, indicatorul de prea plin va lumina în continuare roșu.

## DRENAREA CONTINUA A APEI

Când dezumidificatorul funcționează în condiții de umiditate foarte mare, rezervorul de apă va necesita golirii frecvente. În această situație este bine setarea golirii continue a rezervorului, în acest scop trebuie efectuate următoarele activități:

1. Scoateți rezervorul de apă (FIG. 5).
2. Cuplați furtunul de evacuare a apei la orificiul cu diametrul de: 11 mm (furtunul nu este furnizat împreună cu setul dispozitivului) (FIG. 6).
3. Asigurați-vă, că dispozitivul este montat corect și apa se scurge fără probleme. Atenție! La temperaturi foarte scăzute trebuie, în plus să protejați furtunul împotriva înghețului.
4. Amplasați rezervorul de apă la locul lui.

## ►► 7. CURATARE SI PASTRARE

Înainte de conservare sau curățare, aparatul trebuie întodeauna oprit de la rețeaua de alimentare.

### CURATAREA CARCASEI

Pentru a curăța carcasa folosiți o cârpă moale. În orice caz, nu folosiți produse chimice volatile, detergenți, benzina, haine tratate chimic, sau alte soluții de curățare. Fiecare din aceste substanțe poate deteriora carcasa aparatului.

### CURATAREA FILTRULUI

Acest tip de dezumidificator este echipat cu două filtre (FIG. 7):

1. FILTRU ANTI-PRAF
  - Scoateți fixarea rezervorului, scoateți filtru cărbune activ.
  - Curățați filtru delicat cu ajutorul aspiratorului sau clătit sub jet de apă. Dacă filtrul este foarte murdar, folosiți apă caldă cu soluții cu putere medie de curățare.
  - Trebuie să vă asigurați că filtrul este uscat înainte de a folosi din nou.
  - Filtrul nu trebuie expus la acțiunea directă a razelor solare.
2. FILTRU CĂRBUNE ACTIV (leagă particulele de praf din aer și reduce înmulțirea bacteriilor).
 

Filtru de cărbune activ este amplasat în spatele filtrului anti-praf spre deosebire de el nu se poate spăla. Durabilitatea filtrului cărbune activ depinde de condițiile de mediu unde este utilizat dispozitivul. Filtrul trebuie verificat periodic și schimbat în caz de necesitate.

## PASTRAREA

Dacă aparatul nu este folosit un timp îndelungat trebuie oprit. Cablul de alimentare trebuie decuplat și curățat:

- ▶ Rezervorul de apă trebuie golit de tot și apoi sters până va fi complet uscat.
- ▶ Aparatul trebuie acoperit și păstrat într-un loc unde nu este supus la acțiunea razelor solare.

## ▶▶ 8. DETECTAREA DEFECTELOR

### APARATUL NU FUNCȚIONEAZĂ:

- ▶ Aparatul este cuplat la rețea?
- ▶ Energia electrică în casă este oprită?
- ▶ Temperatura în cameră este mai mare decât 35°C? Dacă da, aceasta este temperatura în afară intervalului de funcționare a aparatului .
- ▶ Trebuie să vă asigurați dacă umidostatul (sau butonul ON/OFF) este pornit.
- ▶ Trebuie să verificați dacă rezervorul de apă este amplasat corect în aparat și dacă nu este plin.
- ▶ Trebuie să vă asigurați că admiterea și evacuarea aerului nu sunt blocate.

### DEZUMIDIFICATORUL NU FUNCȚIONEAZĂ:

- ▶ Filtrul este înfundat, murdar?
- ▶ Orificiul de admitere și evacuare a aerului este înfundat?
- ▶ Umiditatea ambiantă nu este prea scăzută?

### SE PARE CĂ DEZUMIDIFICATORUL FUNCȚIONEAZĂ INEFICIENT:

- ▶ Sunt deschise prea multe uși și ferestre
- ▶ În încăperea există ceva ce provoacă o umiditate prea mare?

### DEZUMIDIFICATORUL FACE ZGOMOT PEA MARE:

- ▶ Trebuie să verificați dacă aparatul stă pe o suprafață plană.

### DEZUMIDIFICATORUL de AER are SCURGERI:

- ▶ Trebuie să vă asigurați că aparatul este într-o stare tehnică acceptabilă.
- ▶ Dacă opțiunea de drenare continuă a apei nu este folosită, trebuie să vă asigurați, că dopul din cauciuc (aflat în partea de jos a aparatului) este la locul lui.

## Coduri de erori pe afișaj

Cod	Cauza	Rezolvare
E1	Senzorul temperaturii ambiante (cu protecția din rășină) este deschis sau funcționează incorect din cauza a unui scurt circuit.	Verificați dacă senzorul de temperatură este cuplat corect la placa de circuit imprimat. Înlocuiți senzorul temperaturii ambiante. Înlocuiți placa principală cu circuit imprimat . Nivelul de umiditate a aerului este sub 40% de umiditate relativă.
E2	Senzorul sistemului de răcire (cu protecție de cupru) este deschis sau funcționează incorect din cauza a unui scurt circuit.	Verificați dacă senzorul este cuplat corect la placa cu circuit imprimat. Înlocuiți senzorul. Înlocuiți placa principală cu circuit imprimat.



## OBSAH

1...	<b>FUNKCIA</b>
2...	<b>UMIESTNENIE</b>
3...	<b>ODPORÚČANIA PRED POUŽITÍM ZARIADENIA</b>
4...	<b>KOMPONENTY</b>
5...	<b>OBSLUHA</b>
6...	<b>ODVOD KONDENZOVANEJ VODY</b>
7...	<b>ÚDRŽBA A ČISTENIE</b>
8...	<b>ZISŤOVANIE CHÝB</b>

**PRED POUŽITÍM TOHTO ZARIADENIA JE POTREBNÉ SA DÔKLADNE OBOZNÁMIŤ S NÁVODOM NA OBSLUHU A USCHOVAŤ HO PRE POUŽITIE V BUDÚCNOSTI.**

### ►► 1. FUNKCIA

Tento výrobok slúži na odvlhčovanie vzduchu. Kontroluje relatívnu vlhkosť prostredníctvom prietoku vzduchu cez zariadenie, čo spôsobuje kondenzáciu nadmernej vlhkosti na chladiacich prvkoch. Kontakt so studeným povrchom vyvoláva kondenzáciu vlhkosti obsiahnutej vo vzduchu. Ďalej je zrazená voda bezpečne odvádzaná do nádržky na vodu. Vysušený vzduch prechádza cez kondenzátor, v ktorom sa nepatrne zohreje, a ďalej je opätovne odvádzaný do miestnosti, pričom je jeho teplota nepatrne zvýšená.

#### ► FIG. 1

1. suchý teplejší vzduch,
2. kondenzátor
3. výparník
4. vzduch presýtený vlhkosťou
5. nádržka na vodu
6. kompresor
7. motor
8. rotor ventilátora

### ►► 2. UMIESTNENIE

Prebytok vlhkosti sa bude šíriť po celom dome tým istým spôsobom, ako sa šíria vône počas varenia. Z tohto dôvodu by mal byť odvlhčovač umiestnený tak, aby mohol absorbovať vlhký vzduch z celého domu.

Ako jedna z možností, ak sa na jednom mieste vyskytne vážny problém, je možné umiestniť odvlhčovač v blízkosti tohto miesta, a následne ho premiestniť na viac ústredné miesto.

Počas umiestnenia odvlhčovača je potrebné sa uistiť, že bol postavený na rovnom povrchu a že z každej strany zariadenia je 10 cm (4") voľného priestoru, ktorý umožňuje výdatnú cirkuláciu vzduchu.

Tento odvlhčovač je vybavený samonastaviteľnými kolieskami pre zabezpečenie jeho lepšej pohyblivosti. Pri premiestňovaní zariadenia je potrebné ho najskôr vypnúť, a vyprázdniť nádržku na vodu.

Neodporúča sa používanie predlžovacieho kábla, preto je potrebné sa vopred uistiť, že sa zariadenie nachádza v dostatočnej vzdialenosti od elektrickej zásuvky. V prípade nutnosti použitia predlžovacieho kábla je potrebné sa uistiť, že priemer vodičov kábla je aspoň 1 mm<sup>2</sup>. Počas práce odvlhčovača, by v prípade nutnosti mali byť zatvorené

vonkajšie dvere a okná, aby sa zabezpečila čo najväčšia výkonnosť zariadenia.

### ►► 3. ODPORÚČANIA PRED POUŽITÍM

#### UPOZORNENIE!

- Zariadenie sa musí nachádzať vždy v zvislej polohe.
- Po prevoze alebo ak bolo naklonené (napr. počas čistenia) musí zariadenie ostať v zvislej polohe jednu hodinu pred napojením do napájacej siete.
- Je potrebné, aby sa všetky cudzie telesá nachádzali v bezpečnej vzdialenosti od otvorov na prívod a odvod vzduchu.
- Elektrické napájanie sa musí zhodovať so špecifikáciou uvedenou na popisnom štítku umiestnenom v zadnej časti zariadenia.
- Ak je napájací kábel poškodený, musí byť vymenený autorizovaným predstaviteľom servisu alebo osobou s príslušnými kvalifikáciami, aby sa zabránilo úrazu.
- Na zapínanie a vypínanie zariadenia sa nesmie za nijakých okolností používať zástrčka. Je potrebné vždy používať prepínač na ovládacom paneli.
- Pred premiestnením zariadenia je potrebné ho najskôr vypnúť a následne vyprázdniť nádržku na vodu.
- Na zariadenie sa nesmie striekať sprej proti hmyzu alebo používať horľavé čistiace prostriedky.
- V žiadnom prípade nie je dovolené liať alebo striekať vodu na zariadenie.
- TOTO ZARIADENIE NESMÚ POUŽÍVAŤ OSOBY (VRÁTANE DEŤÍ), KTORÉ MAJÚ OBMEDZENÉ FYZICKÉ, SENZORICKÉ ALEBO MENTÁLNE SCHOPNOSTI, ALEBO OSOBY BEZ POTREBNÝCH SKÚSENOSTÍ, KTORÉ NEBOLI PREŠKOLENÉ OSOBOU, KTORÁ ZODPOVEDÁ ZA ICH BEZPEČNOSŤ. JE POTREBNÉ DOHLIADNUŤ, ABY SA DETI SO ZARIADENÍM NEHRALI.

#### DÔLEŽITÉ!

Zariadenie sa nesmie používať pri izbovej teplote nižšej ako 5°C, aby sa predišlo pokrytiu ľadom odtokovej hadičky kondenzátora.

### ►► 4. KOMPONENTY

#### ► Predná časť FIG. 2

1. Ovládací panel
2. Podsvietenie
3. Predný panel
4. Zadný panel

#### ► Zadná časť FIG. 3

5. Ventiláčna klapka
6. Držiak

7. Prívod vzduchu / Filtre
8. Ukazovateľ hladiny vody
9. Nádržka na vodu

## ►► 5. OBSLUHA

### ► Ovládací panel FIG. 4

1. Tlačidlo nastavenia vlhkosti
2. Ukazovateľ režimu práce (stála, vlhkosť 40%, 50%, 60%, 70%)
3. Displej teploty/vlhkosti
4. Ukazovateľ práce timeru
5. Tlačidlo zobrazenia teploty
6. Ukazovateľ ionizátora a TiO<sub>2</sub> (voliteľné funkcie v závislosti od kúpeného modelu)
7. Ukazovateľ SUŠIČ
8. Tlačidlo SUŠIČ
9. Ukazovateľ vysokej rýchlosti ventilácie
10. Tlačidlo rýchlosť/ventilácia
11. Ukazovateľ nízkej rýchlosti ventilácie
12. Ukazovateľ napájania
13. Tlačidlo ON/OFF (napájanie)
14. Ukazovateľ „Naplnenie vodou“
15. Tlačidlo TIMER
16. Tlačidlo ionizátora a TiO<sub>2</sub> (voliteľné funkcie v závislosti od kúpeného modelu)

### ► Funkcia podsvietenia:

Svetlomodré – vlhkosť vzduchu > 70%

Zelené – vlhkosť vzduchu 50-70%

Červené – vlhkosť vzduchu < 50%

Blikajúce červené svetlo – alarm naplnenia vodou

### ► Obsluha

1. Zariadenie pripojte k elektrickému napätiu. (Skontrolujte hodnoty napätia/frekvencie na výrobnom štítku zariadenia).
2. Stlačte tlačidlo ON/OFF, a zariadenie sa spustí. Kompresor začne pracovať.
3. Stláčajte tlačidlo nastavenie vlhkosti a vyberte žiadaný režim práce: stála, úroveň vlhkosti 40%, 50%, 60% alebo 70%. Zasvieti sa príslušný ukazovateľ danej vybranej hodnoty.
4. Stláčajte tlačidlo rýchlosť/ventilácia a nastavte žiadanú rýchlosť ventilácie – nízku alebo vysokú. Zasvieti sa príslušný ukazovateľ danej vybranej hodnoty.
5. Stláčajte tlačidlo TIMER a nastavte očakávané trvanie práce (1-24 hodín). Na displeji TIMERu sa zobrazí aktuálne vybraný čas, stláčajte tlačidlo TIMER a meňte hodinu. Ak sa tlačidlo nestlačí v priebehu 8 sekúnd, na displeji sa opäť zobrazí hodnota úrovne vlhkosti v miestnosti. Po skončení nastaveného času sa kompresor automaticky vypne.
6. Stlačením tlačidla „TEMP“ sa na displeji zobrazí aktuálna teplota vzduchu v danej miestnosti, ak sa tlačidlo nestlačí v priebehu 8 sekúnd, na displeji sa opäť zobrazí hodnota úrovne vlhkosti v miestnosti.
7. Funkcia SUŠIČ spúšťa režim TURBO ventilačnej jednotky a zariadenie začne osušovať vlhkosť vzduchu v miestnosti. Táto funkcia umožňuje napr. sušiť bielizeň.
8. Ak chcete zariadenie vypnúť, stlačte tlačidlo ON/OFF.
9. Pomocou tlačidla TIMER, bez spúšťania žiadnych iných funkcií zariadenia (vrátane tlačidlo ON/OFF), je možné nastaviť funkciu skorého spustenia (PRE-SET) zariadenia. Napríklad, ak sa nastaví trvanie 2 hodiny, zariadenie sa automaticky spustí po 2 hodinách od nastavenia.

## ►► 6. ODVOD VODY

Keď je zásobník na vodu plný, kompresor sa z bezpečnostných dôvodov automaticky vypne a ukazovateľ naplnenia zásobníka vodou začne svietiť na červeno.

Keď je zásobník plný, vysuňte ho zo zariadenia a vylejte. Prázdny zásobník vsuňte naspäť do zariadenia. Uistite sa, či je správne umiestnený a zatlačený, ak áno, ukazovateľ naplnenia vodou zhasne a osušovač sa znovu spustí. Ak je nádrž na vodu vsunutá nesprávne, ukazovateľ naplnenia vodou bude stále svietiť na červeno.

## STÁLY ODVOD

Ak sa osušovač používa v miestnostiach, v ktorých je vysoká vlhkosť vzduchu, kondenzovaná voda v nádrži sa bude musieť často vylievať. V takom prípade oveľa praktickejšie riešenie je nastavenie neustáleho odvádzania vody. Postupujte podľa nasledujúcich pokynov:

1. Vysuňte zásobník na vodu (FIG. 5).
2. K výpustnému otvoru pripojte hadicu s priemerom: 11 mm (hadica nie je dodávaná v komplete so zariadením) (FIG. 6).
3. Uistite sa, či je hadica správne upevnená a voda môže bez problémov odtekať. Pozor! Ak sa zariadenie používa pri veľmi nízkych teplotách, hadica sa musí dodatočne zaistiť pred zamrznutím.
4. Umiestnite zásobník na vodu na jeho mieste.

## ►► 7. ÚDRŽBA A ČISTENIE

Pred prístupom k údržbe alebo čisteniu zariadenia je potrebné ho vždy odpojiť od napájacej siete.

### ČISTENIE TELA ZARIADENIA

Na čistenie zariadenia používajte mäkkú handričku.

V žiadnom prípade sa nesmú používať prchavé chemické látky, detergenty, benzín, odevy, ktoré boli chemicky ošetrované, alebo iné roztoky určené na čistenie. Každá z týchto látok môže poškodiť telo zariadenia.

### ČISTENIE FILTRA

Súčasťou tohto modelu sušiča sú 2 typy filtrov (FIG. 7):

#### 1. PROTIPRACHOVÝ FILTER

- Zložte upevnenie filtra, vyberte filter s aktívnym uhlím.
- Filter jemne vyčistite pomocou vysávača alebo ho opláchnite pod tečúcou vodou. Ak je filter veľmi zašpinený, použite teplú vodu s malým množstvom jemného čistiaceho prostriedku.
- Pred založením očisteného filtra sa uistite, že je úplne suchý.
- Filter nevystavujte na pôsobenie priamych slnečných lúčov.

#### 2. FILTER S AKTÍVNYM UHLÍM (zachytáva prach zavesený vo vzduchu a obmedzuje rozmnožovanie baktérií).

Filter s aktívnym uhlím je umiestnený za protiprachovým filtrom, ale na rozdiel od neho, nedá sa umývať. Trvácnosť uhlíkového filtra závisí od podmienok, v ktorých sa zariadenie používa. Filter sa musí pravidelne kontrolovať, a keď je to potrebné, vymeniť.

### USKLADNENIE

Ak sa zariadenie dlhší čas nepoužíva, je potrebné ho vypnúť. Napájací kábel je potrebné odpojiť a očistiť:

- Nádržku na vodu úplne vyprázdniť a utrieť dosucha.
- Je potrebné zakryť zariadenie a uskladniť ho na mieste, kde nebude vystavené pôsobeniu slnečných lúčov.

## ►► 8. ZISTOVANIE PORÚCH

### ZARIADENIE NEFUNKUJE:

- Je pripojené k elektrickej sieti?
- Funguje v dome elektrina?
- Je teplota v miestnosti 5°C alebo viac ako 35°C? Ak áno, táto teplota je mimo pracovný rozsah zariadenia.
- Je potrebné sa uistiť, že je zapnutý humidostat (alebo prepínač ON/OFF).
- Je potrebné skontrolovať, či je nádržka na vodu správne vložená do zariadenia a či nie je plná.
- Je potrebné sa uistiť, že nie je blokovaný prívod a odvod vzduchu.

### ZDÁ SA, ŽE ZARIADENIE NEPRACUJE:

- Je filter zaprášený, znečistený?
- Je prívod a odvod vzduchu blokovaný?
- Nie je už vlhkosť prostredia príliš nízka?

### ZDÁ SA, ŽE ZARIADENIE NEPRACUJE EFEKTÍVNE:

- Nie je otvorených priveľa dverí a okien?
- Nachádza sa v miestnosti niečo, čo vyvoláva veľkú vlhkosť?

### ZARIADENIE JE PRÍLIŠ HLUČNÉ:

- Je potrebné preveriť, či zariadenie stojí na rovnom povrchu

### ZO ZARIADENIA VYTEKÁ VODA:

- Je potrebné sa presvedčiť, či je zariadenie v dobrom technickom stave.
- Ak nie je využívaná možnosť stáleho odvádzania vody, je potrebné sa uistiť, že sa gumená záslepka (na spodnej časti zariadenia) nachádza na svojom mieste.

### Kódy chýb na displeji

Kód	Príčina	Riešenie
E1	Senzor teploty okolia (so živinicovou clonou) je otvorený alebo nefunguje správne kvôli skratu	Overte, či je senzor teploty okolia správne pripojený k doske plošných spojov.
		Vymeňte senzor teploty okolia.
		Vymeňte hlavnú dosku plošných spojov.
		Relatívna vlhkosť vzduchu je nižšia ako 40%.
E2	Senzor chladiaceho systému (s medenou clonou) je otvorený alebo nefunguje správne kvôli skratu	Overte, či je senzor správne pripojený k doske plošných spojov.
		Vymeňte senzor.
		Vymeňte hlavnú dosku plošných spojov.





## Инструкция за обслужване

1...	<b>ДЕЙСТВИЕ</b>
2...	<b>РАЗПОЛОЖЕНИЕ</b>
3...	<b>ПРЕПОРЪКИ ПРЕДИ ИЗПОЛЗВАНЕТО НА УРЕДА</b>
4...	<b>ЧАСТИ</b>
5...	<b>ОБСЛУЖВАНЕ</b>
6...	<b>ОТВЕЖДАНЕ НА ВОДАТА</b>
7...	<b>ПОДДЪРЖАНЕ И ЧИСТЕНЕ</b>
8...	<b>КОНСТАТИРАНЕ НА ПОВРЕДИ</b>

**ПРЕДИ ДА ЗАПОЧНЕТЕ ДА УПОТРЕБЯВАТЕ ТОЗИ УРЕД, ЗАПОЗНАЙТЕ СЕ ПОДРОБНО С ТАЗИ ИНСТРУКЦИЯ И Я ЗАПАЗЕТЕ ЗА ИЗПОЛЗВАНЕ В БЪДЕЩЕ.**

### ►► 1. ДЕЙСТВИЕ

Този уред служи за извличане на влагата от въздуха. Той контролира относителната влажност на въздуха пропускайки го през съоръжение, което предизвиква кондензиране на излишната влажност върху охлаждащите елементи. Контактa със студената повърхнина предизвиква кондензация на влагата от въздуха. След това водата от кондензираната пара се отвежда към съда за вода. Изсушеният въздух минавайки през кондензатора бива леко загряван, след което отново се въвежда в помещението, при което неговата температура е леко повишена.

#### ► FIG. 1

1. СУХ ПО-ТОПЪЛ ВЪЗДУХ,
2. КОНДЕНЗАТОР,
3. ИЗПАРИТЕЛ,
4. ВЛАЖЕН ВЪЗДУХ,
5. СЪД ЗА ВОДА,
6. КОМПРЕСОР,
7. МОТОР,
8. МОТОР НА ВЕНТИЛАТОРА.

### ►► 2. РАЗПОЛОЖЕНИЕ

Влагата се разпространява по целия дом по същия начин както миризмите от готвенето се разнасят по цялото помещение. Поради тази причина, влагоабсорбатора трябва да е разположен така, че да може да извлича влажния въздух от целия дом.

При положение, че в някое място се появи сериозен проблем с влагата – можете да разположите влагоабсорбатора близо до това място, след което го пренесете в по-централно място.

**bg** По време на разполагането на влагоабсорбатора трябва да проверите, дали е разположен на равна повърхнина, и дали от всяка страна на уреда има свободно разстояние от 10 см (4"), за да е осигурено ефективното преминаване на въздуха.

Този влагоабсорбатор е съоръжен с колела, за да се постигне по-добра мобилност на уреда. Преди преместване на уреда го изключете, а съда с водата изпразнете.

Не се препоръчва използването на разклонители, затова проверете дали уреда се намира достатъчно близо до мястото на монтиране на контакта. В случаите когато използването на разклонител е неизбежно,

трябва да проверите дали диаметъра на кабела е най-малко 1мм<sup>2</sup>.

По време на работа на влагоабсорбатора вратите и прозорците в къщи би трябвало да са затворени, за да се осигури най-висока ефективност на работата на уреда.

### ►► 3. ПРЕПОРЪКИ ПРЕДИ ИЗПОЛЗВАНЕТО НА УРЕДА

#### ВНИМАНИЕ!

► Уреда трябва винаги да се намира във вертикално положение.

► След транспортирането му или след като е бил в хоризонтално положение (например по време на чистенето), уреда трябва да стои във вертикално положение един час, преди да бъде включен.

► Дръжте всякакви предмети далече от отворите за влизане и излизане на въздуха.

► Електрическото захранване трябва да е съгласно със спецификацията дадена в таблицата намираща се отзад на уреда.

► Ако захранващия кабел е повреден, трябва да бъде сменен от оторизиран представител, сервиз или лице с нужните квалификации, за да се избегне опасност от нещастен случай.

► За включване и изключване на уреда не използвайте щепсела. Винаги използвайте превключвателя намиращ се на управляващия панел.

► Преди да преместите уреда трябва най-напред да го изключите и да изпразните съда с водата.

► Не използвайте аерозоли за насекоми или други леснозапалими препарати за чистене.

► В никакъв случай не се разрешава поливането или пръскането с вода по уреда.

► **ТОЗИ УРЕД НЕ Е ПРЕДНАЗНАЧЕН ЗА ОБСЛУЖВАНЕ ОТ ЛИЦА(ВКЛЮЧИТЕЛНО ДЕЦА) С ОГРАНИЧЕНА ФИЗИЧЕСКА ИЛИ УМСТВЕНА СПОСОБНОСТ, ИЛИ ЛИЦА, КОИТО НЕ СА ОБУЧЕНИ ДА РАБОТЯТ С УРЕДА ОТ ЛИЦАТА ОТГОВАРЯЩИ ЗА ТЯХНАТА БЕЗОПАСНОСТ, МОЛЯ, НЕ ПОЗВОЛЯВАЙТЕ НА ДЕЦАТА ДА СИ ИГРАЯТ С УРЕДА.**

#### ВАЖНО!

Уреда не може да бъде използван в помещение, където стайната температура е по-ниска от 5°C, за да се избегне заледряването на тръбите на кондензатора.

## ►► 4. ЧАСТИ

### ► Лице FIG. 2

1. Панел за управление
2. Осветление
3. Предна плоча
4. Задна плоча

### ► Гръб FIG. 3

5. Вентилационен клапан
6. Дръжка
7. Вход на въздуха / Филтри
8. Прозорче за регулиране на нивото на водата
9. Съд за вода

## ►► 5. ОБСЛУЖВАНЕ

### ► Управляващ панел FIG. 4

1. Бутон за настройка на влажността
2. Индикатор за режима на работа (постоянна, влажност 40%, 50%, 60%, 70%)
3. Дисплей за температурата/влажността
4. Индикатор за работа на таймера
5. Бутон за температурен дисплей
6. Индикатор на йонизатора и TiO<sub>2</sub> (допълнителни функции, в зависимост от закупения модел)
7. Индикатор на ВЛАГОАБСОРБАТОРА
8. Бутон на ВЛАГОАБСОРБАТОРА
9. Индикатор за високата скорост на вентилатора
10. Бутон скорост/вентилация
11. Индикатор за ниската скорост на вентилатора
12. Индикатор за захранване
13. Бутон ON/OFF (захранване)
14. Индикатор "Запълване с вода"
15. Бутон ЧАСОВНИК
16. Бутон на йонизатора и TiO<sub>2</sub> (допълнителни функции, в зависимост от закупения модел)

### ► Функция осветяване:

Синя светлина - влажността в помещението > 70%  
Зелена светлина - влажността в помещението 50 ~ 70%  
Червена светлина - влажността в помещението < 50%  
Мига червена светлина - аларма за напълване с вода

### ► Обслужване

1. Свържете устройството към съответния захранващ контакт. (Моля, проверете напрежението / честотата на табелката намираща се на уреда).
2. Натиснете бутона ON / OFF, за да стартирате машината. Компресорът започва да работи.
3. Натиснете бутон Настройки на влажността за да изберете режима на работа: постоянен, ниво на влажност 40%, 50%, 60% или 70%. Индикаторът съответен за зададената стойност светва.
4. Натиснете бутона скорост / вентилация, за да зададете скоростта на вентилатора на висока или ниска. Индикаторът съответен за зададената стойност светва.
5. Натиснете бутона ЧАСОВНИК, за да настроите желаното време на работа (1 ~ 24 часа) На прозореца на дисплея се появява настроеното време, натиснете бутона ЧАСОВНИК за да промените времето, пуснете бутона за 8 секунди, на дисплея се появява стойността на влажността в помещението. След изтичането на настроените часове, вентилаторът се изключва

автоматично.

6. Натискането на бутона "TEMP" показва текущата стайна температура, пуснете бутона и след 8 секунди на дисплея се появява стойността на влажността в помещението

7. Функцията ВЛАГОАБСОРБАТОР позволява на турбо режим на вентилационната система, което води до постоянно извличане на влагата от въздуха, тази функция дава възможност за сушене на пране.

8. За да изключите уреда, натиснете бутона ON / OFF.

9. Функцията Ранно включване (PRE-SET) - с помощта на бутона ЧАСОВНИК, без да стартирате каквито и да било други функции (включително бутон ON / OFF), можете да програмирате времето на стартиране на уреда / Например, ако зададете таймера на '2', устройството ще се стартира автоматично след 2 часа.

## ►► 6. ОТВЕЖДАНЕ НА ВОДАТА

Когато резервоарът за вода се напълни, компресорът се изключва автоматично за безопасност, а индикатора за запълване с вода свети на червено.

За да премахнете резервоара за вода, издърпайте го вертикално от уреда.

След изпразване на резервоара за вода, поставете го обратно на мястото му. Уверете се, че е правилно поставен, след това индикатора за напъване с вода изгасва а уреда се включва.

Имайте предвид, че ако резервоарът не е поставен правилно, индикатора за напъване с вода ще свети червено.

## ПОСТОЯННО ОТВЕЖДАНЕ НА ВОДАТА

Ако влагоабсорбатора се използва в условия на висока влажност на въздуха, резервоара за водата ще изисква по-често изпразване. В такава ситуация много по-удобно е да зададете непрекъснато изпразване на резервоара, за тази цел трябва да направите следното:

1. Извадете резервоара за вода (FIG. 5).
2. Свържете маркуча за отвеждане на водата към отвора с диаметър: 11 mm (маркуча не е предоставен в комплект с уреда) (FIG. 6).
3. Уверете се, че маркуча е правилно свързан и водата изтича без проблемно. Забележка! При много ниски температури, допълнителна защитете маркуча против замръзване.
4. Поставете резервоара за вода на неговото място.

## ►► 7. ПОДДЪРЖАНЕ И ЧИСТЕНЕ

ПРЕДИ ДА ИЗВЪРШИТЕ КАКВИТО И ДА СА ДЕЙСТВИЯ ПО ПОДДЪРЖАНЕТО И ЧИСТЕНЕТО НА УРЕДА, НАЙ-НАПРЕД ГО ИЗКЛУЧЕТЕ ОТ КОНТАКТА ЗАХРАНВАЩ ГО С ЕЛЕКТРИЧЕСКА ЕНЕРГИЯ.

### ЧИСТЕНЕ НА КОРПУСА

За чистенето на уреда използвайте мека кърпа. В никакъв случай не използвайте изпаряващи се химически вещества, детергенти, бензин, или други миешки разтвори. Всяко от тези вещества може да повреди корпуса на уреда.

### ЧИСТЕНЕ НА ФИЛТЪРА

Този модел на влагоабсорбатора е оборудван с два вида филтри (FIG. 7):

1. ФИЛТЪР ЗА ПРАХ

- Премахване на държача на филтъра, извадете филтъра с активен въглен.
- Внимателно почистете филтъра с прахосмукачка или изплакнете с течаща вода. Ако филтърът е много замърсен, използвайте топла вода и малко количество мек почистващ препарат.
- Уверете се, че филтъра е напълно сух, преди повторна употреба.
- Не излагайте филтъра на действието на пряка слънчева светлина.

**2. ФИЛТЪР ОТ АКТИВЕН ВЪГЛЕН** (за свързване на праховите частици във въздуха и ограничаване на размножаването на бактерии).

Активен въглен филтър се намира зад филтъра за прах, и за разлика от него не може да бъде измит. Дълготрайността на Активен въглен филтър зависи от условията на околната среда на мястото, където се използва устройството. Филтърът трябва да се проверява периодично, и да се замени, ако е необходимо.

### СЪХРАНЕНИЕ

Ако няма да използвате уреда през по-дълъг период от време, трябва да го изключите. Изключете и изчистете захранващия кабел.

- Изпразнете съда с водата и го изтрийте.
- Най-добре завийте уреда и го съхранявайте в място, където няма да е непосредствено под влиянието на слънчевите лъчи.

## ►► 8. КОНСТАТИРАНЕ НА ПОВРЕДИ

### УРЕДА НЕ РАБОТИ:

- Включен ли е уредът към захранващата мрежа?
- Има ли електрическа енергия в мрежата?
- Дали температурата на въздуха е по-ниска от 5°C или е по-висока от 35°C? Ако да – това е температура, при която уредът не може да работи.
- Проверете дали регулатора на влажността (humidistat) (или превключвателя ON/OFF) са включени.
- Проверете дали съда за вода е правилно поставен в уреда и дали не е пълен.
- Проверете дали отворите за вход и изход на въздуха не са запушени.

### ИЗГЛЕЖДА, ЧЕ УРЕДА НЕ РАБОТИ:

- Дали филтъра е запрашен, замърсен?
- Дали изхода и входа на въздуха не са запушени?
- Дали влажността на средата не е вече прекалено ниска?

### bg ИЗГЛЕЖДА, ЧЕ УРЕДА РАБОТИ НЕ ЕФЕКТИВНО:

- Дали не са отворени прекалено много врати и прозорци?
- Дали в помещението има нещо, което създава много голяма влажност?

### УРЕДА РАБОТИ ПРЕКАЛЕНО ШУМНО:

- Трябва да проверите дали стои на равна повърхнина

### ОТ УРЕДА ИЗТИЧА ВОДА:

- Проверете техническото състояние на уреда.

- Ако опцията за постоянно отвеждане на водата не се използва, проверете дали гумената тапа (долу в уреда) е на своето място.

Кодове за грешка на дисплея		
Код	Причина	Решение
E1	Сензорът за стайна температура (с полимерна глава) е отворен или има повреда поради късо съединение	Проверете дали сензорът за стайна температура е включен правилно в платката.
		Сменете сензора за стайна температура.
		Сменете основната платка.
		Относителната влажност на въздуха е под 40%.
E2	Системният сензор (с медна глава) е отворен или има повреда поради късо съединение.	Проверете дали системният сензор е включен правилно в платката.
		Сменете системния сензор.
		Сменете основната платка.



## ЗМІСТ

1...	<b>ПРИНЦИП ДІЇ</b>
2...	<b>РОЗМІЩЕННЯ</b>
3...	<b>ВАЖЛИВІ ВКАЗІВКИ ПЕРЕД ПОЧАТКОМ ВИКОРИСТАННЯ</b>
4...	<b>ЕЛЕМЕНТИ ПРИСТРОЮ</b>
5...	<b>ФУНКЦІОНАЛЬНА ПАНЕЛЬ УПРАВЛІННЯ</b>
6...	<b>СИСТЕМА ВИДАЛЕННЯ ВОДИ</b>
7...	<b>ОЧИЩЕННЯ І ТЕХНІЧНЕ ОБСЛУГОВУВАННЯ</b>
8...	<b>ВИЯВЛЕННЯ НЕСПРАВНОСТЕЙ</b>

**ПЕРШ НІЖ РОЗПОЧАТИ ЕКСПЛУАТАЦІЮ ПРИСТРОЮ, БУДЬ ЛАСКА, УВАЖНО ПРОЧИТАЙТЕ ЦЮ ІНСТРУКЦІЮ ТА ЗБЕРЕЖІТЬ ЇЇ ДЛЯ ПОДАЛЬШОГО ВИКОРИСТАННЯ.**

### ►► 1. ПРИНЦИП ДІЇ

Виріб, описаний у цій інструкції, служить для осушування повітря. З його допомогою здійснюється контроль відносної вологості шляхом пропускання повітря через пристрій, що призводить до конденсації надлишкової вологи на охолоджувальних елементах. Контакт із холодною поверхнею сприяє конденсації вологи у повітрі. Далі конденсована вода безпечно відводиться у резервуар для води. Висушене повітря проходить через конденсатор, у якому воно трохи нагрівається, після чого знову виводиться у приміщення, при цьому його температура дещо підвищена.

#### ► FIG. 1

1. вихід сухого повітря
2. конденсатор 3- випарник
4. вхід вологого повітря
5. резервуар для води
6. компресор
7. двигун
8. ротор вентилятора

### ►► 2. РОЗМІЩЕННЯ

Надлишкова волога поширюватиметься по всьому приміщенні, так само як під час готування розноситься по приміщенню запах страв. У зв'язку із цим осушувач необхідно розміщувати таким чином, щоб він всмоктував вологе повітря з усього приміщення. Якщо в одному місці виникне серйозна проблема, осушувач можна розмістити поблизу цього місця, а пізніше розташувати його в центрі приміщення.

Під час встановлення осушувача слід переконатися, що він розміщений на рівній поверхні, а також що з усіх сторін пристрою є по 10 см (4") вільного простору, що забезпечує ефективний потік повітря. Осушувач оснащено поворотними коліщатами, що сприяє його високій мобільності. Перш ніж переміщувати пристрій, його необхідно вимкнути та вилити воду із резервуара. Використовувати подовжувач не рекомендовано, у зв'язку із цим слід перевірити, чи пристрій знаходиться достатньо близько від розетки. У разі необхідності застосування подовжувача, слід переконатися, що діаметр проводів кабелю складає щонайменше 1 мм<sup>2</sup>. У разі необхідності, під час роботи осушувача зовнішні

двері і вікна повинні бути зачинені, щоб забезпечити максимальну ефективність роботи пристрою.

### ►► 3. ВАЖЛИВІ ВКАЗІВКИ ПЕРЕД ПОЧАТКОМ ВИКОРИСТАННЯ

#### УВАГА!

- пристрій завжди повинен знаходитися у вертикальному положенні;
- перед підключенням до електромережі після транспортування або якщо він був перехилений (напр. під час очищення), його слід залишити протягом однієї години у вертикальному положенні;
- будь-які сторонні предмети слід тримати на відстані від вхідних і вихідних отворів повітря;
- характеристики джерела живлення повинні відповідати даним специфікації, наведеним у заводській таблиці, розташованій на задній стінці пристрою;
- щоб уникнути небезпеки в разі пошкодження кабелю живлення, його заміна повинна виконуватися представником авторизованого сервісного центру (фахівцем з відповідними кваліфікаціями);
- ввімкнення і вимкнення пристрою в жодному разі не можна здійснювати шляхом підключення або відключення штепселя із розетки. Завжди використовуйте вмикач на панелі управління;
- перш ніж переміщувати пристрій, його слід вимкнути, після чого вилити воду із резервуара;
- не можна застосовувати аерозолі, призначені для боротьби з комахами, або інші легкозаймисті засоби для очищення;
- в жодному разі пристрій не можна обливати або обприскувати водою.
- ЦЕ УСТАТКУВАННЯ НЕ МОЖЕ ОБСЛУГОВУВАТИСЯ ОСОБАМИ (ТАКОЖ ДІТЬМИ) З ОБМЕЖЕНИМИ ФІЗИЧНИМИ, РЕЦЕПТОРНИМИ АБО РОЗУМОВИМИ ЗДІБНОСТЯМИ, АБО ОСОБАМИ, ЩО НЕ МАЮТЬ НЕОБХІДНОГО ДОСВІДУ ТА НЕ ПРОЙШЛИ СПЕЦІАЛЬНОГО НАВЧАННЯ У ОСІБ, КОТРІ НЕСУТЬ ВІДПОВІДАЛЬНІСТЬ ЗА ЇХ БЕЗПЕКУ. СЛІД СТЕЖИТИ ЗА ТИМ, ЩОБ ДІТИ НЕ ГРАЛИСЯ З УСТАТКУВАННЯМ.

#### ВАЖЛИВО!

З метою уникнення обледеніння випарника, пристрій заборонено експлуатувати, якщо температура у приміщенні нижче 5°C.

### ►► 4. ЕЛЕМЕНТИ ПРИСТРОЮ

- Передня частина FIG. 2
- 1. Панель управління
- 2. Підсвічування



3. Передня панель
4. Задня панель
- ▶ Задня частина FIG. 3
5. Вентиляційний клапан
6. Ручка
7. Вхідний отвір повітря /Фільтри
8. Віконце рівня води
9. Резервуар для води

## ▶▶ 5. ФУНКЦІОНАЛЬНА ПАНЕЛЬ УПРАВЛІННЯ

### ▶ Дисплей FIG. 4

1. Кнопка налаштування рівня вологості
2. Індикатор режиму роботи (постійний, вологість 40%, 50%, 60%, 70%)
3. Дисплей температури/вологості
4. Індикатор роботи таймера
5. Кнопка індикації температури
6. Індикатор іонізатора і TiO 2 (опціональні функції, в залежності від придбаної моделі)
7. Індикатор ОСУШУВАЧ ПОВІТРЯ
8. Кнопка ОСУШУВАЧ ПОВІТРЯ
9. Індикатор високої швидкості роботи вентилятора
10. Кнопка швидкість/вентиляція
11. Індикатор низьких обертів вентилятора
12. Індикатор живлення
13. Кнопка ON/OFF (живлення)
14. Індикатор «Рівень заповнення водою»
15. кнопка ТАЙМЕР
16. Кнопка іонізатора і TiO 2 (опціональні функції в залежності від придбаної моделі)

### ▶ Функція підсвічування:

Синє світло – вологість приміщення > 70%

Зелене світло – вологість у приміщенні 50~70%

Червоне світло – вологість у приміщенні < 50%

Блимання червоного світла – сигнал, що інформує про заповнений водою резервуар.

### ▶ Спосіб використання:

1. Підключіть пристрій до відповідної мережі живлення. (Слід перевірити напругу/частоту на заводській таблиці приладу).
2. Натисніть кнопку ON/OFF, щоб ввімкнути пристрій. Компресор почне працювати.
3. Натисніть кнопку налаштування рівня вологості, щоб вибрати режим роботи: постійний, рівень вологості 40%, 50%, 60% або 70%. Засвітиться відповідний індикатор для даного значення.
4. Натисніть кнопку швидкість/вентиляція, щоб вибрати високу або низьку швидкість обертів вентилятора. Засвітиться відповідний індикатор для даного значення.
5. Натисніть кнопку ТАЙМЕР, щоб налаштувати потрібний час роботи (1~24 години). Після натиснення кнопки ТАЙМЕР на дисплеї висвітиться актуально вибраний час, після відпускання кнопки на 8 секунд вікно повернеться до режиму індикації вологості приміщення. Після закінчення вказаного часу компресор автоматично вимкнеться.
6. Після натиснення кнопки „TEMP” на екрані висвітиться поточна температура у приміщенні, після відпускання на 8 секунд вікно повернеться у режим індикації вологості повітря у приміщенні.
7. Функція ОСУШУВАЧ ПОВІТРЯ вмикає режим турбо

системи вентиляції, після чого вмикається неперервне осушування повітря, ця функція дозволяє сушити випрані речі.

8. Щоб вимкнути пристрій, натисніть кнопку ON/OFF.

9. Функція попереднього ввімкнення (PRE-SET), за допомогою кнопки ТАЙМЕР без ввімкнення інших функцій приладу (також кнопки ON/OFF), можна запрограмувати годину ввімкнення машини / Наприклад, якщо налаштувати таймер на '2', пристрій автоматично ввімкнеться через 2 години.

## ▶▶ 6. СИСТЕМА ВИДАЛЕННЯ ВОДИ

Якщо резервуар з водою буде заповнений, компресор автоматично вимкнеться в цілях безпеки, а індикатор рівня заповнення водою загориться червоним світлом. Щоб вийняти резервуар з водою, його слід потягнути перпендикулярно із пристрою.

Після видалення із резервуару води, його слід вставити назад на місце. Перевірте, що його правильно встановлено - лампочка, яка сигналізує про рівень заповнення резервуару водою погасне і ввімкнеться осушувач повітря.

Зверніть увагу, якщо резервуар буде встановлено неправильно, індикатор рівня заповнення водою буде горіти червоним світлом.

## БЕЗПЕРЕРВНЕ ВІДВЕДЕННЯ ВОДИ

Якщо осушувач повітря використовується в умовах високої вологості повітря, резервуар з водою слід частіше опорожнювати. У такому разі значно зручніше буде передбачити постійне опорожнення резервуару, для цього слід виконати наступні дії:

1. Вийміть резервуар з водою (FIG. 5).
2. Під'єднайте водопровід до випускного отвору діаметром: 11 мм (провід не постачається у комплекті з приладом) (FIG. 6).
3. Перевірте, щоб провід було правильно закріплено і вода стікала без перешкод. Увага! При дуже низьких температурах слід додатково захистити провід від замерзання.
4. Вставте резервуар з водою назад у пристрій.

## ▶▶ 7. ОЧИЩЕННЯ І ТЕХНІЧНЕ ОБСЛУГОВУВАННЯ

Перш ніж розпочати роботи з технічного обслуговування або очищення пристрою, його слід обов'язково відключити від мережі електроживлення.

### ОЧИЩЕННЯ КОРПУСУ

Для очищення пристрою використовуйте м'яку ганчірку. У жодному разі не можна застосовувати летючі хімічні речовини, детергенти, бензин, тканини піддані хімічній обробці або інші розчини для очищення. Кожна з цих речовин може пошкодити корпус пристрою.

### ОЧИЩЕННЯ ФІЛЬТРА

Цю модель осушувача повітря оснащено двома видами фільтрів (FIG. 7):

#### 1. ПРОТИПИЛОВИЙ ФІЛЬТР

- Зніміть кріплення фільтру, вийміть фільтр з активним вугіллям.

- Обережно очистіть фільтр за допомогою пилососу або промийте його під проточною водою. Якщо фільтр дуже забруднено, промийте його за допомогою теплої води і

- невеликої кількості неагресивного миючого засобу.
- Переконайтесь, що фільтр повністю сухий, перед його повторним використанням.
  - Слід уникати впливу прямого сонячного проміння на фільтр.

2. АКТИВНИЙ ВУГІЛЬНИЙ ФІЛЬТР (для зв'язування часток пилу, що містяться у повітрі, а також запобігання розмноженню бактерій).

Активний вугільний фільтр розташовано за протипиловим фільтром, на відміну від нього, його не можна мити. Строк служби вугільного фільтра залежить від умов навколишнього середовища у місці, де використовується пристрій. Фільтр слід періодично перевіряти і замінювати у разі необхідності.

### **ЗБЕРІГАННЯ**

- ▶ Якщо пристрій протягом тривалого часу не використовується, його слід вимкнути. Кабель живлення необхідно відключити і почистити.
- ▶ Слід вилити усю воду із резервуара для води і витерти його дочиста.
- ▶ Пристрій слід накрити і зберігати у захищеному від сонячного проміння місці.

## **▶▶ 8. ВИЯВЛЕННЯ НЕСПРАВНОСТЕЙ**

### **ПРИСТРІЙ НЕ ПРАЦЮЄ**

- ▶ Перевірте, чи пристрій підключений до мережі.
- ▶ Перевірте, чи не вимкнене електропостачання будинку.
- ▶ Кімнатна температура дорівнює або вища 35°C? Якщо так, тоді ця температура виходить за межі робочого діапазону пристрою.
- ▶ Переконайтесь, що гіростат (або перемикач ON/OFF) ввімкнено.
- ▶ Перевірте, чи резервуар для води правильно встановлений у пристрої і чи він не заповнений.
- ▶ Перевірте, чи не заблоковані отвори входу і виходу повітря.

### **ЗДАЄТЬСЯ, ПРИСТРІЙ НЕ ПРАЦЮЄ:**

- ▶ Перевірте, чи не запилений, не забруднений фільтр.
- ▶ Перевірте, чи не заблоковані вхідний і вихідний отвори повітря.
- ▶ Перевірте, чи не занадто низька вологість у приміщенні.

### **ЗДАЄТЬСЯ, ПРИСТРІЙ ПРАЦЮЄ НЕЕФЕКТИВНО:**

- ▶ Перевірте, можливо відчинено занадто багато дверей і вікон.
- ▶ Може у приміщенні знаходиться дещо, що спричинює високий рівень вологості?

### **uk ПРИСТРІЙ ПРАЦЮЄ ЗАНАДТО ШУМНО:**

- ▶ Перевірте, чи пристрій стоїть на рівній поверхні.

### **ПРИСТРІЙ ПРОТІКАЄ:**

- ▶ Перевірте технічний стан пристрою.
- ▶ Якщо функція безперервного відведення води не використовується, слід перевірити, чи гумова заглушка (знизу пристрою) знаходиться на своєму місці.

## **Коди помилок на дисплеї**

Код	Причина	Рішення
E1	Датчик температури доквілля (з прикриттям із смоли) відкритий або діє неправильно в результаті короткого замикання	<p>П е р е в і р и т и , чи правильно приєднаний датчик температури доквілля до друкарської плати.</p> <p>Замінити датчик температури доквілля.</p> <p>Замінити головну друкарську плату.</p> <p>Рівень вологості повітря нижче 40% відносної вологості.</p>
E2	Датчик системи охолодження (з мідним прикриттям) відкритий або діє неправильно в результаті короткого замикання	<p>П е р е в і р и т и , чи правильно приєднаний датчик до друкарської плати.</p> <p>Замінити датчик.</p> <p>Замінити головну друкарську плату.</p>





# 目录

1...	工作原理
2...	使用场所
3...	使用前须知
4...	组件
5...	操作
6...	排水
7...	维护
8...	故障解决

在使用前，我们强烈建议您花时间仔细阅读此说明书并妥善保存以备不时之需。任何对此说明书不熟悉的人员都禁止使用此除湿机。

## ▶▶ 1. 工作原理：

这是一款除湿机。用于控制环境的相对湿度，通过将含有额外水分的空气通过降温元件来将水分冷凝。通过和低温的元件表面接触，使得空气中的水分可以凝结。冷凝水被安全的排入水箱。干燥的空气在通过略微发热的冷凝器后被稍微加热，然后重新进入环境中。

### ▶ FIG. 1

1. 干燥的热空气
2. 冷凝器 ( 升温的线圈 )
3. 蒸发器 ( 冷凝线圈 )
4. 潮湿的空气
5. 水箱
6. 压缩机

## 2. 使用场所

过量的水分会像厨房油烟一样在您的家里四处飘散。因此，除湿机应该放置在可以吸收到室内各处空气的中心位置或者空气流动频繁的通道等处。

当然，您也可以在开始使用除湿机时将其放置在特别潮湿的地方，然后逐渐的将其移动到中心位置。

当放置除湿机时，确保将其被摆放在一个水平的平面上，并保证其每个面都有至少10CM ( 4" ) 的敞开空间，来保证空气的流通。

除湿机配有专门用于移动的滑轮。当需要移动设备时，请确保关闭电源并且排空水箱。

我们不建议使用延长的电源线。所以请确保除湿机离开电源插座足够接近。如果必须要使用延长线，请确保选择直径在1mm<sup>2</sup>以上的电源线。

为了确保除湿机达到最佳的除湿效果，请确保在设备运行时关闭门窗。

## ▶▶ 3. 使用前须知

注意：

- ▶ 在平稳垂直的水平面上操作除湿机，避免漏水等问题。
- ▶ 在运输或者颠簸后 ( 比如清洁维护后 )，保持除湿机正直安放一小时以上，然后再连接电源开机。
- ▶ 保持进出风口通畅无异物。
- ▶ 必须使用和机身所示铭牌一致的电源。
- ▶ 如果电源线损坏，必须由有授权认证的专业售后维护人员或具有类似相关资质的人员来进行替换，以免造成危险。
- ▶ 禁止使用电源插头来开关除湿机。确保使用面板上的开关来操作。

▶ 在移动除湿机前，确保关闭电源，拔出插座且清空水箱。

▶ 禁止向除湿机泼洒或喷洒液体。

▶ 禁止在除湿机附近使用杀虫剂或者其他易燃物品。

▶ 在没有专业人员对其安全负责或者对其进行操作指导的情况下，禁止行为能力，认知能力，智力障碍者或缺乏相关知识或经验的人员 ( 包括儿童 ) 操作除湿机。在任何情况下，儿童都应该被保持远离此设备。

重要!

禁止在环境温度低于5°C的场所使用除湿机，避免因此导致的蒸发线圈结冻。

## ▶▶ 4. 组件

### ▶ 前部 FIG. 2

1. 控制面板
2. 环境指示灯
3. 前面板
4. 后面板

### ▶ 后部 FIG. 3

5. 风板
6. 把手
7. 进风口/过滤器
8. 水位指示窗口
9. 水箱

## ▶▶ 5. 运行

### ▶ 控制面板 FIG. 4

1. 湿度设置按钮
2. 工作模式指示灯 ( 持续除湿，湿度40%，50%，60%，70% )
3. 湿度/温度显示器
4. 计时操作显示器
5. 温度显示按钮
6. 电离器或TiO<sub>2</sub>指示器 ( 此项为可选项，根据您所选购的型号不同而不同 )
7. 烘干指示器
8. 烘干按钮
9. 高速通风指示器
10. 风速/通风量按钮
11. 低速通风指示器
12. 电源指示器
13. 开关 ( 电源 ) 按钮

14. 水箱满水指示器
15. 计时按钮
16. 电离器或TiO<sub>2</sub>按钮 ( 此项为可选项, 根据您所选购的型号不同而不同 )

► 环境指示灯 :

- 蓝色 : 环境湿度 > 70%
- 绿色 : 环境湿度 50~70%
- 红色 : 环境湿度 < 50%
- 红色闪烁 : 水箱满水警告

运行操作 :

1. 仔细确认设备后部铭牌上标称的电压功率是否和所用.....的电源相符, 然后将除湿机的电源插头插入插座。
2. 按下开关键开启除湿机。压缩机会开始工作。
3. 按下湿度设定按钮来根据需要设定除湿模式: 持续除湿, 湿度40%, 50%, 60%, 70%。并且对应的指示灯会亮起
4. 按下风速调节按钮来调节出风量和风速为高或者低。对应的指示灯会亮起。
5. 按下计时按钮来设置你需要的工作时间 ( 1到24小时 ) 。当按下计时按钮后, 显示窗口会显示你所设定的工作时间。窗口会在8秒后恢复显示环境湿度。当运行到了设定的小时数, 压缩机会自动停止运行。
6. 按下温度显示按钮, 显示窗口会出现当前的环境温度, 并且在8秒后恢复显示环境湿度。
7. 烘干按钮按下后会加大风机转速, 并且持续的烘干潮湿的空气, 因此可以用来干燥衣物。
8. 再次按下开关键来关闭除湿机。
9. 预设定时功能: 在关机状态下按下计时按钮, 则机器会在你设定的时间后自动开机运行。比如: 在关机状态下设置了2小时, 除湿机会在2小时候后自动启动。

►► 6. 排水

当水箱被储满时, 压缩机会进行自我保护停止运行且满水指示灯会变红。将水箱水平的从机器上取出, 清空后将其放回原位, 并确保水箱被准确安装。再次开机后, 设备将正常运行。 注意: 如果水箱没有被准确安装到合适的位置, 满水指示灯会持续变红。

►► 持续排水 :

当在非常潮湿的环境下使用除湿机时, 水箱会需要更加频繁的排水, 因此在这种情况下, 将除湿机设为持续排水模式会更加便捷的为您提供除湿服务, 可以通过以下几步进行操作 :

1. 拿出水箱 (FIG. 5).
2. 将内径为11mm的水管连接到排水口 ( 水管不是标准件 ) (FIG. 6).
3. 确保冷凝水可以畅通无阻的通过水管排出, 并且水管不受干扰保持在准确的位置。注意: 在寒冷环境或地区中, 必须采取预警措施防止水管被冻结。
4. 将水箱放回原来的位置。

►► 7. 维护

在进行任何清理或者维护前, 请确保关闭除湿机并且拔出了电源

清洁机身

禁止使用挥发性的化学物质, 汽油, 清洁剂, 化工处理布料或其他清洁溶剂来清洁除湿机, 否则可能损坏机器的外壳。

清洁过滤器

除湿机装有2个过滤器(FIG. 7):

1. 防尘过滤器

打开过滤器盒, 取出活性炭过滤器。使用吸尘器或者轻弹过滤器来进行较简便的清洁。如果过滤器非常的脏, 可以使用中性清洁剂用温水洗净。

确保在重新安装过滤器前将其彻底干燥。禁止将过滤器在阳光下暴晒。

2. 活性炭过滤器 ( 用于阻挡空气中悬浮的颗粒物并且防止细菌滋生 )

活性炭过滤器放置于防尘过滤器下面。这种过滤器是不可水洗的。其寿命因使用的环境不同而不同。此类过滤器必须定期检查 ( 一般为6个月 ) 并且根据需要进行替换。

储存

如果除湿机将被长期闲置, 请保证, 关闭设备, 拔出电源并且取走AC电源线。

- 彻底排空水箱并且将其干燥。
- 将设备包好并放置在避免阳光直射的地方。

►► 8. 故障解决

除湿机不运行

- 是否插上了电源?
- 供电是否正常?
- 室内温度是否低5摄氏度或者高于32摄氏度? 如果是, 则该温度已经超过了除湿机的启动温度范围。
- 确保按下了开关。
- 确保水箱是否被准确的装回了机器, 并且已经排空。
- 确保进出风口没有被堵塞。

没有除湿效果

- 过滤网是否严重积灰或污染?
- 进出风口是否被堵塞
- 是否环境湿度已经非常低?

除湿效果不明显

- 是否开启了太多的门窗?
- 是否在房间内有物体在大量排放湿气或水分?

除湿机发出大量噪音

- 检查是否将机器垂直放置在平稳的水平面上。

除湿机漏水

- 确保设备处于一个正常的工作状态。
- 如果你使用的不是持续排水模式, 确保机器底部的橡胶插头没有脱落和完好无损。

en

it

de

es

fr

nl

pt

da

fi

no

sv

pl

ru

cs

hu

sl

hr

lt

lv

et

ro

sk

bg

uk

zh

AL DEKLARATA E PËRSHTATJES TË BE  
 BG ДЕКЛАРАЦИЯ ЗА СЪВМЕСТИМОСТ ЕС  
 CZ EC PROHLÁŠENÍ O SHODĚ  
 CN CE认证

DE EG- KONFORMITÄTSESKLÄRUNG  
 DK EF-OVERENSSTEMMELSESESKLÆRING  
 EE EÜ CE SERTIFIKAAT

ES DECLARACIÓN DE CONFORMIDAD  
 FI EY:N VAATIMUSTENMUKAISUUSVAKUUTUS  
 FR DÉCLARATION CE DE CONFORMITÉ

GB EC DECLARATION OF CONFORMITY  
 GR ΔΗΛΩΣΗ ΠΙΣΤΟΤΗΤΑΣ ΕΚ

HR EC DEKLARACIJA O SUKLADNOSTI  
 HU EK MEGFELELŐSÉGI NYILATKOZAT

IT DICHIARAZIONE DI CONFORMITÀ CE  
 LT EB ATITIKTIES DEKLARACIJA

LV EK ATBILSTĪBAS DEKLARĀCIJA  
 NL EG-CONFORMITEITSVERKLARING

NO EUROPAKOMMISSIONENS SAMSVARSERKLÆRING  
 PL DEKLARACJA ZGODNOŚCI WE

PT DECLARAÇÃO CE DE CONFORMIDADE  
 RO DECLARAȚIA DE CONFORMITATE UE

RU ДЕКЛАРАЦИЯ СООТВЕТСТВИЯ ЕС  
 SE EU'S STANDARDDEKLARATION

SI ES IZJAVA O SKLADNOSTI  
 SK ES VYHLÁSENIE O SÚLADE

TR UYGUNLUK BEYANATI  
 UA ДЕКЛАРАЦІЯ ВІДПОВІДНОСТІ ЄС

YU EC DEKLARACJA O USKLADENOSTI

## MCS Central Europe Sp. z o.o. ul. Magazynowa 5a, 62-023 Gądko, Polska

AL deklaromë që: **BG** декларираме, че устройствата: **CN** 宣告 以下电暖风机: **CZ** prohlasujeme, že zařízení: **DE** wir erklären, dass die Geräte: **DK** vi erklærer hermed, at udstyr: **EE** kinnitame, et seadmed: **ES** declaramos que los dispositivos: **FI** todistamme, että seuraavat laitteet: **FR** nous déclarons que les appareils: **GB** declared that appliances: **GR** δηλώνουμε ότι ηλεκτρικοί θερμαντήρες αέρα : **HR** deklariramo da uređaji: **HU** tanúsítjuk, hogy a berendezések: **IT** dichiariamo che i dispositivi: **LT** deklaruojame, kad prietaisai: **LV** deklarējam, ka ierīces: **NL** wij verklaren dat de toestellen: **NO** vi erklærer at innretninger: **PL** deklarujemy że urządzenia: **PT** declaramos que: **RO** declarăm că dispozitivul este conform cu: **RU** заявляем, что оборудование: **SE** vi försäkrar att apparater: **SI** izjavljamo, da je oprema: **SK** prehlásenie, že zariadenie: **TR** hava ısıtıcılarının direktifler ve normlara: **UA** заявляємо, що обладнання: **YU** izjavljujemo da:

### DH 716, DH 720

AL përshtatën direktivët **BG** Отговарят на директивите **CN** 严格符合 **CZ** Jsou v souladu s nařízenými **DE** erfüllen die Richtlinien **DK** er i overensstemmelse med direktiver **EE** vastavad direktiividele **ES** cumplen con las directivas **FI** täyttäämukaisia direktiivejä **FR** sont conformes aux directives **GB** conform to directives **GR** ανταποκρίνονται προς οδηγίες **HR** zadovoljavaju direktive **HU** megfelel az irányelveknek **IT** sono conformi alle direttive **LT** atitinka direktyvas **LV** atbilst direktīvām **NL** voldoen aan directieven **NO** følger direktiver **PL** spełniają dyrektywy **PT** cumprem as directivas **RO** îndeplinește directivele **RU** соответствуют требованиям директив **SE** efterföljer uppsatta direktiv **SI** so skladni z direktivami **SK** sú v súlade so smernicami **TR** uygundur olduğunu **UA** відповідають вимогам директив **YU** zadovoljavaju direktive

### 2006/95/EC, 2004/108/EC, 2011/65/EC

AL dhe normë **BG** И норми **CN** 的指令和规范 **CZ** A normami **DE** und Normen **DK** og standarder **EE** ja normidele **ES** y las normativas **FI** ja normit **FR** et aux normes **GB** and norms **GR** και πρότυπα **HR** i standarde **HU** és szabványoknak **IT** e norme **LT** ir normas **LV** un normām **NL** en normen **NO** og normer **PL** i normy **PT** e normas **RO** și normele cerute **RU** и норм **SE** och normer **SI** in normami **SK** a normami **TR** beyan ederiz **UA** i норм **YU** i standarde

### EN 60335-1, EN 60335-2-40, EN 62233 EN 55014-1, EN 55014-2, EN 61000-3-2, EN 61000-3-3

Stefano Verani



CEO MCS Group

Gądko, 23-02-2015 / CE-15

### **BG - Изхвърляне на вашия стар уред**

- Когато този символ на задраскана кофа за боклук е поставен върху дадено изделие, това означава, че изделието попада под разпоредбите на Европейска директива 2002/96/EC.
- Всички електрически и електронни изделия трябва да се изхвърлят отделно от битовите отпадъци, в определени за целта съоръжения, посочени от държавните или местните органи.
- Правилното изхвърляне на вашия уред ще помогне за предотвратяване на възможни негативни последици за околната среда и човешкото здраве.
- За по-подробна информация за изхвърлянето на вашия стар уред се обърнете към вашата община, службите за събиране на отпадъци или магазина, откъдето сте купили своя уред.

### **CZ - Likvidace starého produktu**

- Produkt je navržen a vyroben za použití velmi kvalitních materiálů a komponent, které lze recyklovat a znovu použít. - Když je produktu připevněn symbol s přeškrtnutým košem, znamená to, že je produkt kryt evropskou směrnicí 2002/96/EC.
- Informujte se o místním tříděném systému pro elektrické produkty.
- Řiďte se místními pravidly a nelikvidujte staré produkty spolu s běžným odpadem. Správná likvidace starého produktu pomůže zabránit případným negativním následkům pro životní prostředí a lidské zdraví.

### **DE - Entsorgung Ihres Altgerätes**

- Ihr Produkt ist aus hochqualitativen Materialien und Bestandteilen hergestellt, die dem Recycling zugeführt und wiederverwertet werden können.
- Falls dieses symbol eines durchgestrichenen Müllcontainers auf Rollen auf diesem Produkt angebracht ist, bedeutet dies, dass es von der Europäischen Richtlinie 2002/96/EC erfasst wird.
- Bitte informieren Sie sich über die örtlichen Sammelstellen für Elektroprodukte und elektronische Geräte.
- Bitte beachten Sie die lokalen Vorschriften und entsorgen Sie Ihre Altgeräte nicht mit dem normalen Hausmüll. Die korrekte Entsorgung Ihres Altgerätes ist ein Beitrag zur Vermeidung möglicher negativer Folgen für die Umwelt und die menschliche Gesundheit.

### **DK - Bortskaffelse af dit gamle produkt**

- Dit produkt er designet og produceret med materialer af høj kvalitet, som kan blive genbrugt.
- Når du ser symbolet med en skraldespand, der er kryds over, betyder det, at produktet er dækket af EU direktiv nr. 2002/96/EC.
- Venligst sæt dig ind i de danske regler om indsamling af elektriske og elektroniske produkter.
- Venligst overhold de danske regler og smid ikke dine gamle produkter ud sammen med dit normale husholdningsaffald. Den korrekte bortskaffelsesmetode vil forebygge negative følger for miljøet og folkesundheden.

### **EE - Informatsioon kasutatud elektrooniliste ja elektriseadmete likvideerimise kohta**

- See, seadmel olev märk informeerib, et tegemist on elektrooniliste või elektriseadmetega, mida pärast lõplikku kasutamist ei tohi hoida koos teiste jäätmetega.
- Kasutatud elektrooniliste ja elektriseadmete koostises on keskkonnale kahjulikke materjale. Selliseid seadmeid ei tohi hoida prügilates, need tuleb anda ümbertöötlemiseks.
- Informatsiooni kasutatud elektrooniliste ja elektriseadmete kogumissüsteemist võib saada seadme müüjalt müügikohtades ja tootjalt või maaletoojalt.
- Erielist tähelepanu peaksid osutama tarbijad, kes kasutavad nimetatud seadmeid eramajapidamises. Arvestades asjaoluga, et sellesse sektorisse satub kõige rohkem seadmeid, tähendab see, et nende osavõtt selektiivsest kasutatud seadmete kogumisest on eriti tähtis.
- Kasutatud elektrooniliste ja elektriseadmete hoidmine koos teiste jäätmetega on tarbijatele keelatud vastavalt Euroopa Liidu Direktiivile 2002/96/EC.

### **ES - Cómo deshacerse del producto usado**

- Su producto ha sido diseñado y fabricado con materiales y componentes de alta calidad, que pueden ser reciclados y reutilizados.
- Cuando vea este símbolo de una papelera con ruedas tachada junto a un producto, esto significa que el producto está bajo la Directiva Europea 2002/96/EC.
- Deberá informarse sobre el sistema de reciclaje local separado para productos eléctricos y electrónicos.
- Siga las normas locales y no se deshaga de los productos usados tirándolos en la basura normal de su hogar. El reciclaje correcto de su producto usado ayudará a evitar consecuencias negativas para el medio ambiente y la salud de las personas.

### **FI - Vanhan tuotteen hävittäminen**

- Tuotteesi on suunniteltu ja valmistettu korkealuokkaisista materiaaleista ja komponenteista, jotka voidaan kierrättää ja käyttää uudell.
- Kun tuotteessa on tämä ylivedetyn pyörillä olevan roskakorin symboli, tuote täyttää Euroopan Direktiivin 2002/96/EC.
- Ole hyvä ja etsi tieto lähimmästä erillisestä sähköllä toimivien tuotteiden keräysjärjestelmästä.
- Toimipaikallisten sääntöjen mukaisesti äläkä hävitä vanhaa tuotetta normaalin kotitalousjätteen joukossa. Tuotteen oikeanlainen hävittäminen auttaa estämään mahdolliset vaikutukset ympäristölle ja ihmisten terveydelle.



**en FR - Se débarrasser de votre produit usagé**

- Votre produit est conçu et fabriqué avec des matériaux et des composants de haute qualité, qui peuvent être recyclés et utilisés de nouveau.

**it** - Lorsque ce symbole d'une poubelle à roue barrée à un produit, cela signifie que le produit est couvert par la Directive Européenne 2002/96/EC.

**de** - Veuillez vous informer du système local de séparation des déchets électriques et électroniques.

**es** - Veuillez agir selon les règles locales et ne pas jeter vos produits usages avec les déchets domestiques usuels. Jeter correctement votre produit usagé aidera à prévenir les conséquences négatives potentielles contre l'environnement et la santé humaine.

**fr GB - Disposal of your old product**

- Your product is designed and manufactured with high quality materials and components, which can be recycled and reused.

**nl** - When this crossed-out wheeled bin symbol is attached to a product it means the product is covered by the European Directive 2002/96/EC.

**pt** - Please inform yourself about the local separate collection system for electrical and electronic products.

**da** - Please act according to your local rules and do not dispose of your old product with your normal household waste. The correct disposal of your old product will help prevent potential negative consequences for the environment and human health.

**fi GR - Απόρριψη του παλαιού προϊόντος σας**

- Το προϊόν σας είναι σχεδιασμένο και κατασκευασμένο από υλικά και συστατικά υψηλής ποιότητας, τα οποία μπορούν να ανακυκλωθούν και να επαναχρησιμοποιηθούν.

**no** - Όταν σε ένα προϊόν υπάρχει το σύμβολο του τροχοφόρου διαγράμμένου κάδου απορριμμάτων, σημαίνει ότι το προϊόν καλύπτεται από την Ευρωπαϊκή Οδηγία 2002/96/EC

**sv** - Παρακαλούμε ενημερωθείτε σχετικά με το ξεχωριστό τοπικό σύστημα συλλογής ηλεκτρικών και ηλεκτρονικών προϊόντων.

**pl** - Παρακαλούμε πράξτε σύμφωνα με τους τοπικούς κανονισμούς και μην απορρίψετε τα παλαιά προϊόντα σας μαζί με οικιακά απορρίμματα. Η σωστή απόρριψη των παλαιών προϊόντων θα βοηθήσει στην αποτροπή αρνητικών συνεπειών στο περιβάλλον και την ανθρώπινη υγεία.

**ru HU - Régi termékének eldobása**

- A terméket kiváló anyagokból és összetevőkből tervezték és készítették, melyek újrahasznosíthatóak és újra felhasználhatóak.

**cs** - Ha az áthúzott kerek szemetes szimbólumot látja egy terméken, akkor a termék megfelel a 2002/96/EC Európai Direktívának.

**hu** - Kérjük, érdeklődjön az elektromos és elektronikus termékek helyi szelektív hulladékgyűjtési rendjéről.

**sl** - Kérjük, a helyi törvényeknek megfelelően járjon el, és régi termékeit ne a normális háztartási szeméttel dobja ki. A régi termék helyes eldobása segít megelőzni a lehetséges negatív következményeket a környezetre és az emberi egészségre nézve.

**hr IT - Smaltimento del prodotto**

- Questo prodotto è stato progettato e fabbricato con materiali e componenti di alta qualità, che possono essere riciclati e riutilizzati.

**it** - Quando ad un prodotto è attaccato il simbolo del bidone con le ruote segnato da una croce, significa che il prodotto è tutelato dalla Direttiva Europea 2002/96/EC.

**lv** - Si prega di informarsi in merito al sistema locale di raccolta differenziata per i prodotti elettrici ed elettronici.

**et** - Rispettare le norme locali in vigore e non smaltire i prodotti vecchi nei normali rifiuti domestici. Il corretto smaltimento del prodotto aiuta ad evitare possibili conseguenze negative per la salute dell'ambiente e dell'uomo.

**ro LT - Informacija apie panaudotos elektrinės įrangos šalinimą**

- Panaudotą elektrinę ir elektroninę įrangą laikyti su kitomis atliekomis vartotojams draudžiama pagal Europos Sąjungos Direktyvą 2002/96/EC.

**sk** - Šis ženklas, pavaizduotas ant įrenginio, informuoja, kad tai yra elektrinė arba elektroninė įranga, kuri panaudota negali būti laikoma kartu su kitomis atliekomis.

**bg** - Panaudotos elektrinės įrangos sudėtyje yra natūraliai aplinkai kenksmingų medžiagų. Tokios įrangos negalima laikyti sąvartynuose, ji turi būti atiduota perdurbimui.

**uk** - Informaciją apie panaudotos elektrinės įrangos rinkimo sistemą galima gauti įrenginių pardavimo vietose bei iš gamintojo arba importuotojo.

**zh LV - Informācija par izlietoto elektrisko un elektronisko ierīču utilizēšanu**

- Izlietotas elektriskās un elektroniskās ierīces izmest ar citiem atkritumiem lietotājiem ir aizliegts saskaņā ar Eiropas Savienības Direktīvu 2002/96/EC.

**lv** - Šis simbols, attēlots uz ierīces, informē, ka tā ir elektriska vai elektronika ierīce, kuru pēc izlietošanas nedrīkst izmest kopā ar citiem atkritumiem.

**zh** - Informera dig själv om lokala återvinningssystem för elektriska och elektroniska produkter.

- Agera i enlighet med dina lokala regler och släng inte dina gamla produkter tillsammans med ditt normala hushållsavfall. Korrekt sophantering av din gamla produkt kommer att hjälpa till att för naturen och människors häls.

#### **NL - Wegwerpen van uw afgedankt apparaat**

- Uw apparaat werd ontworpen met een vervaardigd uit onderdelen en materialen van superieure kwaliteit, die gerecycleerd en opnieuw gebruikt kunnen worden.

- Wanneer het symbool van een doorstreepte vuilnisemmer op wielen op een product is bevestigd, betekent dit dat het product conform is de Europese Richtlijn 2002/96/EC.

- Gelieve u te informeren in verband met het plaatselijke inzamelingsysteem voor elektrische en elektronische apparaten.

- Gelieve u te houden aan de plaatselijke reglementering en apparaten niet met het gewone huisvuil mee te geven. Door afgedankte apparaten op een correcte manier weg te werpen helpt u mogelijke negatieve gevolgen voor het milieu en de gezondheid te voorkomen.

#### **PL - Usuwanie starego produktu**

- Zakupiony produkt zaprojektowano i wykonano z materiałów najwyższej jakości i komponentów, które podlegają recyklingowi i mogą być ponownie użyte.

- Jeżeli produkt jest oznaczony powyższym symbolem przekreślonego kosza na śmiecie, oznacza to że produkt spełnia wymagania Dyrektywy Europejskiej 2002/96/EC.

- Zaleca się zapoznanie z lokalnym systemem odbioru produktów elektrycznych i elektronicznych.

- Zaleca się działanie zgodnie z lokalnymi przepisami i nie wyrzucanie zużytych produktów do pojemników na odpady gospodarcze. Właściwe usuwanie starych produktów pomoże uniknąć potencjalnych negatywnych konsekwencji oddziaływania na środowisko i zdrowie ludzi.

#### **PT - Descartar-se do seu produto velho**

- O seu produto está concebido e fabricado com materiais e componentes da mais alta qualidade, os quais podem ser reciclados e reutilizados.

- Quando o símbolo de um caixote do lixo com rodas e traçado or uma cruz estiver anexado a um produto, isto signifi ca que o produto se encontra coberto pela Directiva Europeia 2002/96/EC.

- Por favor informe-se sobre o sistema local para a separação e recolha de produtos eléctricos e electrónicos.

- Actúe por favor em conformidade com as suas regras locais e, não se desfaça de produtos velhos conjuntamente com os seus desperdícios.

#### **RO - Casarea aparatelor vechi**

- Această siglă (un cos de gunoi încercuit si tăitat) semnifi că faptul că produsul se află sub incidența Directivei Consiliului European 2002/96/ EC.

- Aparatele electrice si electronice nu vor fi aruncate împreună cu gunoiul menajer, ci vor fi predate în vederea reciclării la centrele de colectare special amenajate, indicate de autoritățile naționale sau locale.

- Respectarea acestor cerințe va ajuta la prevenirea impactului negativ asupra mediului înconjurător si sănătății publice.

- Pentru informații mai detaliate referitoare la casarea aparatelor vechi, contactați autoritățile locale, serviciul de salubritate sau distribuitorul de la care ați achiziționat produsul.

#### **RU - Утилизация старого устройства**

- Ваше устройство спроектировано и изготовлено из высококачественных Материалов и компонентов, которые можно утилизировать и использовать повторно

- Если товар имеет с зачеркнутым мусорным ящиком на колесах, это означает, что товар соответствует Европейской директиве 2002/96/EC.

- Ознакомьтесь с местной системой раздельного сбора электрических и электронных товаров.

- Утилизируйте старые устройства отдельно от бытовых отходов. Правильная утилизация вашего товара позволит предотвратить возможные отрицательные последствия для окружающей среды и человеческого здоровья.

#### **SE - Undangörande av din gamla produk**

- Din produkt är designad och tillverkad med material och komponenter av högsta kvalitet, vilka kan återvinnas och återanvändas.

- När den här överstrukna sopkorgen på en produkt, betyder det att produkten täcks av Europeiska Direktiv 2002/96/EC.

- Informera dig själv om lokala återvinnings och sophanteringssystem för elektriska och elektroniska produkter.

- Agera i enlighet med dina lokala regler och släng inte dina gamla produkter tillsammans med ditt normala hushållsavfall. Korrekt sophantering av din gamla produkt kommer att hjälpa till att för naturen och människors häls.

#### **SI - Končno odvajanje generatorja**

- Ta generator toplega zraka je bil načrtovan in proizveden z kakovostnimi materiali in sestavni deli se lahko predelujejo za ponovno uporabo.

- Kadar izdelek ima pritrjeno tablico z oznako z velikim zbiralnikom odpadkov z kolesi in ta oznaka je zaznamovana z križem, pomeni, da je izdelek zaščiten z Direktivo Evropske Skupnosti 2002/96/EC.

- Dobro vam priporočamo, da se informirate glede krajevnega sistema za izborna zbiranje električnih in elektronskih izdelkov.

- Vedno upoštevajte veljavne krajevne predpise in nikoli ne odvajajte stare izdelke skupaj z navadnimi hišnimi odpadki. Nepravilno odvajanje teh izdelkov lahko povzroči hude poškodbe osebam in okolju.



en

**SK - Likvidácia vášho starého prístroja**

- Keď sa na produkte nachádza tento symbol prečiarknutej smetnej nádoby s kolieskami, znamená to, že daný produkt vyhovuje európskej Smernici č 2002/96/EC.

de

- Všetky elektrické a elektronické produkty by mali byť zlikvidované oddelené od komunálneho odpadu prostredníctvom na to určených zberných zariadení, ktoré boli ustanovené vládou alebo orgánmi miestnej správy.

es

- Správnou likvidáciou starých zariadení pomôžete predchádzať potenciálnym negatívnym následkom pre prostredie a ľudské zdravie.

fr

- Podrobnejšie informácie o likvidácii starých zariadení nájdete na miestnom úrade, v službe na likvidáciu odpadu alebo u predajcu, kde ste tento produkt zakúpili.

nl

**TR - Ürünün bertaraf edilmesi**

- Bu ürün, dönüştürülmesi ve yeniden kullanımı mümkün yüksek kaliteli malzeme ve komponentler ile tasarlanmıştır ve üretilmiştir.

pt

- Bir ürüne, x isareti ile isaretlenmiş tekerlekli bir bidon sembolü yapılandırılmış ise bu, ürünün 2002/96/EC Avrupa Direktifi uyarınca korunduğu anlamına gelir.

da

- Elektrik ve elektronik ürünler için ayrıştırılmış toplama mahalli sistemine ilişkin bilgi almanız rica edilir.

fi

- Yürürlükteki mevzuata uyunuz ve eski ürünleri normal ev atıkları ile birlikte bertaraf etmeyiniz. Ürünün doğru bertaraf edilmesi, çevre ve insan sağlığı üzerinde olası olumsuz sonuçların önlenmesine katkıda bulunur.

no

sv

pl

ru

cs

hu

sl

hr

lt

lv

et

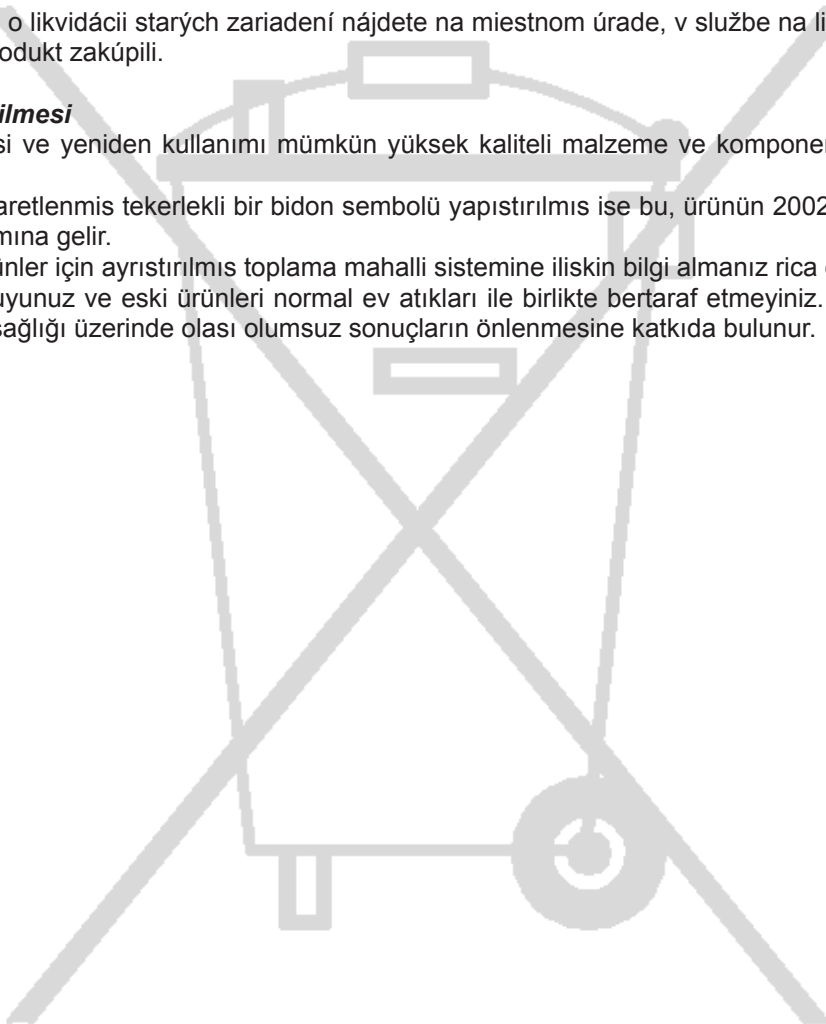
ro

sk

bg

uk

zh



**NOTE:**

en

it

de

es

fr

nl

pt

da

fi

no

sv

pl

ru

cs

hu

sl

hr

lt

lv

et

ro

sk

bg

uk

zh

---

**en NOTE:**

**it**

**de**

**es**

**fr**

**nl**

**pt**

**da**

**fi**

**no**

**sv**

**pl**

**ru**

**cs**

**hu**

**sl**

**hr**

**lt**

**lv**

**et**

**ro**

**sk**

**bg**

**uk**

**zh**

---