



UD2500

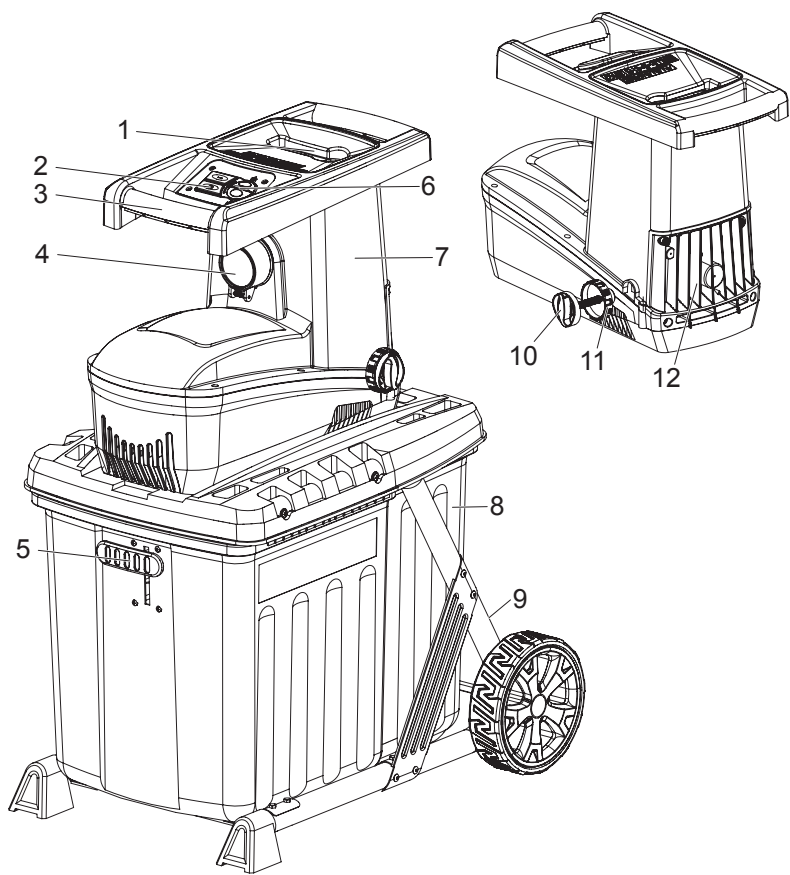
GB Electric Shredder

Original Instruction Manual

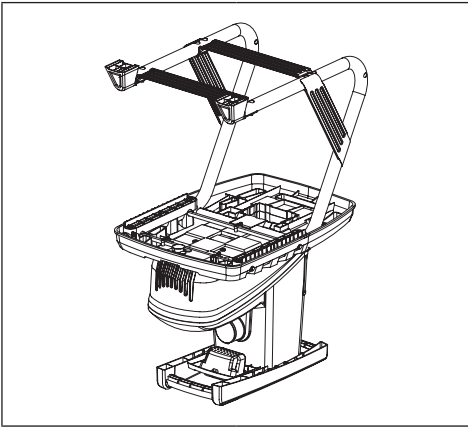
D Flüsterhäcksler

Original-Bedienungsanleitung

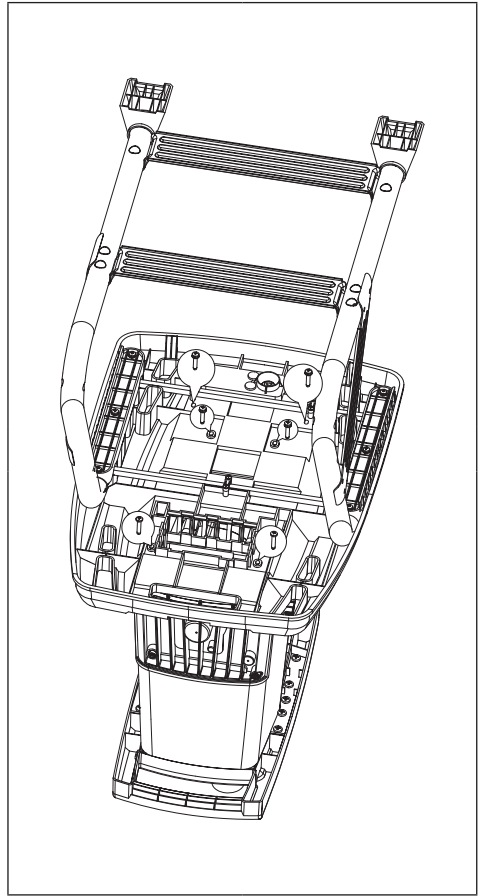




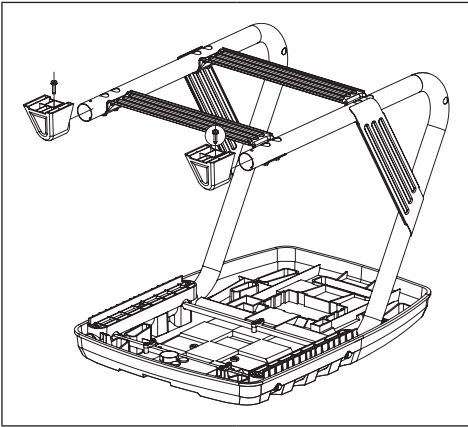
1



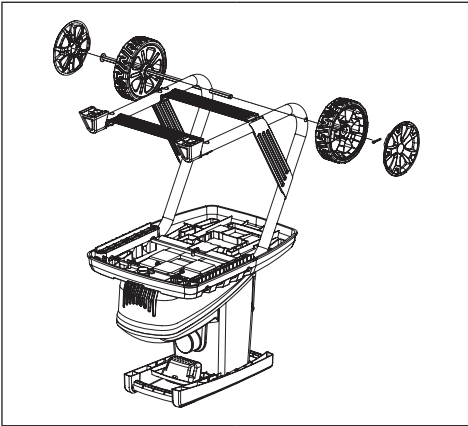
2



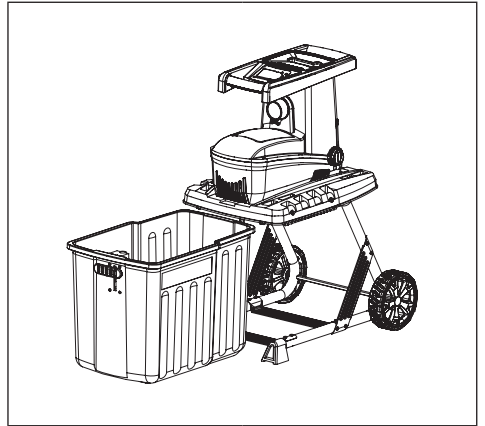
3



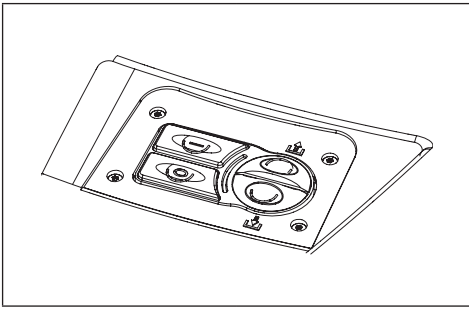
4



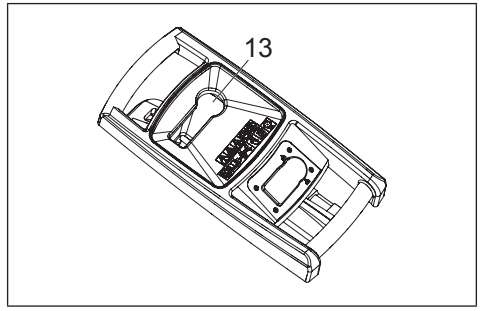
5



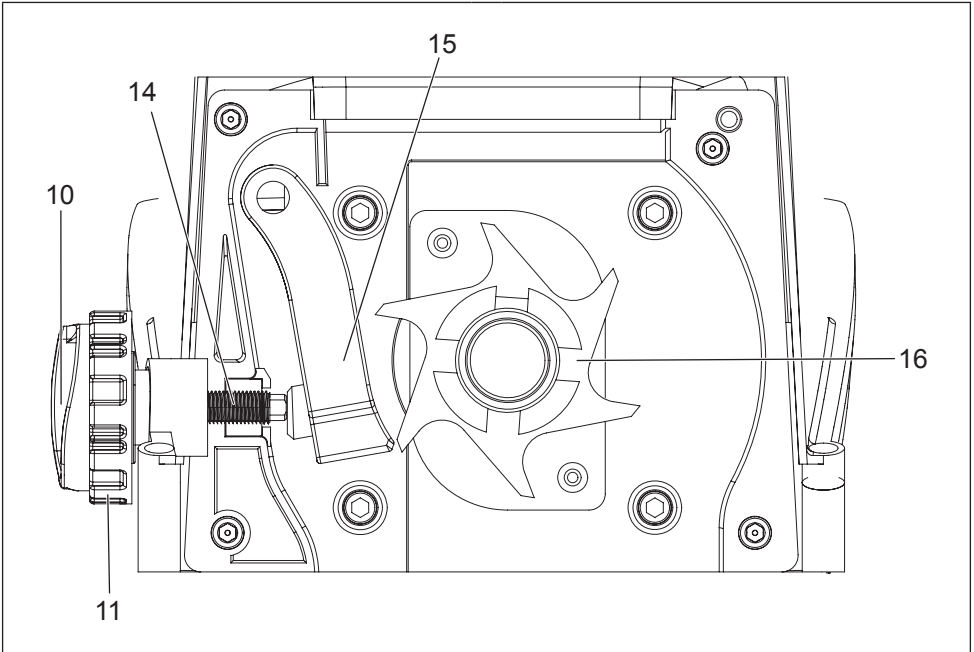
6



7



8



9

DESIGNATION OF PARTS

1	Filling hopper	7	Upper enclosure	13	Feed side
2	Power switch	8	Retaining basket	14	Screw
3	Handle	9	Base frame	15	Counter blade
4	Power supply plug	10	Adjusting knob	16	Cutting roller
5	Lock lever	11	Fixing knob		
6	Forward / Reverse switch	12	Blade cover		

TECHNICAL DATA

Model	UD2500
Name	Electric Shredder
Motor	AC-Motor 230V~50Hz
Motor rating P1 S6-40%	2,500W
Motor rating P1 S1	2,000W
Rotational speed cutting roller	40 min ⁻¹
Power switch with	overload protection; cutting and reverse function, zero-voltage initiator
Weight	27.6 kg
Max. branch diameter (only for freshly cut wood)	Max. 45 mm
Safety class	I
Protection class	IP X4

NOISE DATA

Sound pressure level	74.88 dB (A), K= 2.50 dB (A)
Sound pressure level at operator's ear	84.4 dB (A), K= 3 dB (A)
Measured sound power level	93.49 dB (A), K= 3.97 dB (A)
Guaranteed sound power level	97 dB (A)

The sound intensity level for operator may exceed 80 dB (A). Wear ear protection.

SYMBOLS

The following show the symbols used for the machine. Be sure that you understand their meaning before use.



- Read instruction manual.



- Take particular care and attention.



- Switch off the motor and unplugged before servicing, cleaning, maintenance or repairing.



- Objects may be thrown out at high speed.



- Keep bystanders and pets away from danger area.



- Danger — Rotating blades. Keep hands and feet out of openings while machine is running.



- Danger — Rotating blades. Keep hands and feet out of openings while machine is running.



- Wear eye and ear protection.



- Wear protective gloves.



- Do not expose to rain or moisture.



- Turn the knob clockwise for narrower clearance / turn the knob counterclockwise for wider clearance



- Open the blade cover to adjust the blade or clean the wood.



- Wait until all the machine parts stop completely.



- Do not use the machine as a step.



- Only for EU countries
Do not dispose of electric equipment or battery pack together with household waste material! In observance of European Directive 2002/96/EC on waste electric and electronic equipment, 2006/66/EC on batteries and accumulators and waste batteries and accumulators and their implementation in accordance with national laws, electric equipment and battery pack that have reached the end of their life must be collected separately and returned to an environmentally compatible recycling facility.

SAFETY WARNINGS

READ CAREFULLY BEFORE USE KEEP INSTRUCTION MANUAL FOR FUTURE REFERENCE



Do not start to operate the machine until you have read these operating instructions. Observe all the instructions given, and install the machine as described.

Intended use of the machine

- The garden shredder is intended for shredding following items:
 - All types of branches up to maximum diameter of the machine's capacity (depending on the type and condition of wood)
 - Garden refuse such as withered plants or wet weed which has been laid some days (Feed them alternating with branches.)
- The garden shredder is intended for private use only, and not for commercial use. Do not use it in public places either.

General Instructions

- Read this instruction manual to become familiar with handling of the machine. Users insufficiently informed will risk danger to themselves as well as others due to improper handling.
- Do not lend the machine to people who have unproven to be experienced.
- When lending the machine, always attach this instruction manual.

- The electric shredder is not intended for use by persons with reduced physical, sensory or mental capabilities, or lack of experience and knowledge. Young children should be supervised to ensure that they do not play with the machine. Do not allow children to operate this equipment.
- Operate only if you are in good physical condition. Perform all work calmly and carefully. The user is responsible for all safety of persons and damages around the operating area.
- Never use this machine after consumption of alcohol or drugs, or if feeling tired or ill.
- Use the machine in accordance with these instructions, considering the working conditions and the application. Unintended use of the machine could result in a hazardous situation.
- Never alter the machine, including safety devices such as interlock device. This will endanger your safety.
- National or local regulation can restrict the handling of the machine.
- Stay alert. Watch what you are doing. Use common sense. Do not operate machine when you are tired.

Personal protective equipment

- Dress Properly. The clothing worn should be functional and appropriate, i.e. it should be tight-fitting but not cause hindrance. Do not wear either jewelry or clothing which could become entangled in to machine. Wear protecting hair covering to contain long hair.
- Always wear ear protections to avoid hearing loss.
- Wear protective glasses or goggles to protect eyes from debris thrown from the filling hopper.
- Wear protective gloves to prevent injury to fingers.
- Wear face mask when the dust is substantive, such as shredding dry branches, hedges with leaves.
- When using the machine, always wear sturdy shoes with a non-slip sole. This protects against injuries and ensures a good footing.

Work area safety

- Keep children and bystanders away while operating the machine.
- Operate the machine in open space on a firm, level surface. Do not operate the machine close to a wall or other objects.
- Do not operate machine in explosive atmospheres, such as in the presence of flammable liquids, gases or dust. The machine creates sparks which may ignite the dust or fumes.
- Do not operate the machine on a paved or gravel surface where ejected material may result in injury.
- Keep work area clean and well lit. Cluttered or dark areas invite accidents.
- Do not expose the machine to rain or wet conditions. Water entering the machine may increase the risk of electric shock.

Starting up the machine

- Before connect the plug or switch on the machine:
 - Check all the screws, nuts and other fasteners are properly secured.
 - Check guards, deflectors and screens are in place and good working condition.
 - Replace damaged or unreadable labels.
 - Make sure the filling hopper is empty.

- Make sure the inlet and discharge opening are guarded properly.
- Check all the parts of the machine carefully to determine if it operates properly and performs its intended function. Especially, never use the machine if the switch does not work normally.
- If the supply cord is damaged, ask Makita authorized service center, always using genuine replacement parts, to replace it.
- Immediately switch off the motor and unplugged if the blade strike a foreign object or the machine starts vibrating or making noise unusually. Check the shredder for damage, and tighten any loose parts. Ask an authorized service center to repair the machine.
- Do not let the processed material accumulated in discharge opening. Otherwise it may result in kickback of material through the inlet opening.
- Switch off the motor and unplugged before:
 - Whenever leaving the machine unattended
 - Before clearing a blockage or any fault
 - Before checking, cleaning or working on the machine
 - Before making any adjustments, changing accessories or storing
 - Whenever the machine starts vibrating or making noise unusually
 - Clearing inlet or discharge opening
 - Attaching or removing retaining basket
 - Transporting.

Electrical safety

WARNING:

- This appliance is Class I appliance. Connect with a supply socket with earth terminal. Improper earth may cause electric shock and death. Use only three-wire extension cords which have three-prong grounding-type plugs and three-pole receptacles which accept the tool's plug.
- Avoid body contact with earthed or grounded surfaces (e.g. pipes, radiators) during operation.
- Use only IEC60245 (H07RN-F) extension cable for outdoor use with splash-proofed connector. Its cross-section must be at least 1.5 mm² for cable lengths up to 25 m, and 2.5 mm² for cable lengths over 25 m.
- Voltage drop may happen when using long thin cable. If it happens the power of the machine may be reduced.
- When using the extension cable, make sure that it does not interfere, is not squeezed or bended, and the plug does not get wet.
- When using a cable reel, wind the cable completely off the reel.
- Do not abuse the cord. Never use the cord for carrying, pulling or unplugging the machine. Keep cord away from heat, oil, sharp edges or moving parts. Damaged or entangled cords increase the risk of electric shock.
- Check the extension cable regularly for damage to the insulation. Replace it if damaged.
- If the connecting cable is damaged, withdraw the mains plug immediately. A damaged cable may cause contact with live parts and electric shock.
- Never use damaged cables.
- Only plug the machine into sockets in tested electrical circuits. Check that the system voltage matches that on the rating plate.
- Never deactivate or bypass the protective devices.
- When using the machine outdoors, always use a residual current-operated circuit-breaker (RCD) with an operating current of 30 mA or less.
- Do not tilt the machine during operation.
- Keep abundant distance when you put long material. It may spring back and may result in personal injury.
- Do not operate without the filling hopper.
- Do not force the machine. It does the job better and safer at the rate for which it was designed. Frequent overload may cause motor damage or fire.
- Use the right appliance. Do not use appliances for purposes not intended. Never intend to feed metal parts, glasses, stones, ceramics, plastics, thicker branches, hard wood or thick wood plates, etc.

Maintenance instructions

- Have your machine serviced by our authorized service center, always using only genuine replacement parts. Incorrect repair and poor maintenance can shorten the life of the machine and increase the risk of accidents.
- Before servicing, inspection, adjustment, storage, or to change an accessory, take following steps:
 - Shut off the power source
 - Disconnect the machine from power supply
 - Make sure that all moving parts have come to a complete stop
 - Allow the machine to cool.
- Inspect on the machine for possible damage:
 - Whether safety devices works properly for its intended function
 - Whether all the moving parts work smoothly and adequately
 - Whether all parts are not damaged and properly installed
 - Replace or repair by our authorized service center if there are any damaged parts.
- Pay extreme attention when servicing cutter. The cutter is able to move manually tough interlock feature of the guard functions.
- Do not clean the device with water. It may cause electrical shock.
- Wear protective gloves during maintenance or assembly work to prevent injury to fingers.
- Do not carry out maintenance or repair work other than that described in this instruction manual. Any other work must be carried out by Makita authorized service center.

Operation

- Keep your face and body away from the inlet opening.
- Never let your hands or other part of the body or clothing place inside the inlet and discharge opening, or near moving parts. It may result in serious injury.
- Do not overreach. Keep proper footing and balance at all times. This enables better control of the machine in unexpected situations. Do not stand at higher level than the base of the machine when feeding material into it.
- Always keep distance from the discharge opening during operation.
- Observe regional regulations for noise protection.
- Do not feed rock, a piece of metal, bottles or other foreign matter. Pay attention that those foreign objects are not included when you feed.

- Only use original Makita replacement parts and accessories intended for your machine. Otherwise it may result in personal injury or damage on the machine.
- Store the machine in a dry room. Keep it out of reach of children. Never store the machine outdoors.

ASSEMBLY

CAUTION:

- Always be sure that the machine is switched off and unplugged before carrying out any work on the tool.

1. Place the upper enclosure upside down on the flat floor. And then put the base frame on it. Be careful about the direction of the part. (Fig. 2)
2. Fasten each part by tightening screws. Make sure they become perfectly stable. (Fig. 3)
3. Attach the stoppers by screw. Make sure they are fastened tightly. (Fig. 4)
4. Attach wheels as follows: (Fig. 5)
 - Attach the axis on one of the wheel.
 - Pass the axis through the holes on the leg.
 - Attach the other wheel to the axis by passing the pin through the hole on the axis. Fasten the wheel by bending the pin.
 - Attach the covers on the wheels.
5. Attach the retaining basket. And then raise the lock lever. (Fig. 6)

FUNCTIONAL DESCRIPTION

WARNING:

Before plugging the machine, always make sure that the machine is switched off. Plugging the machine with the switch on may cause an unexpected start resulting in serious personal injury.

Power Switch (Fig. 7)

CAUTION:

Do not use the machine if the switch does not turn it on and off. Have defective switches replaced by Makita authorized service center.

To turn on the machine, push the green button.

To turn off the machine, push the red button.

LED light

The LED light indicates the status of the machine as follows:

RED color: When the machine is connected to the power supply and the machine is switched off.

GREEN color: When machine is switched on.

Flickering GREEN color constantly: When the machine is blocked during operation.

Flickering RED color: When the machine can not recover automatically. Clear the problem manually when it happens.

Unintentional restart proof

The machine switches off automatically when power failure happens. To restart, push the green button again.

Overload protection

The motor is equipped with an overload protection. When overloaded, the machine acts as follows:

- The blade runs reverse for two or three seconds to try to push the shredded material back out.
- The blade runs forward again.
- If the material is still clogged after this attempt for three times, the machine stops with LED light flickering in red.

When it happens perform the following steps:

- Turn off the machine.
- Wait until the blades stop completely.
- Remove the clogged material.
- Turn the shredder on again after about 5 minutes, and feed easier material.
- If you cannot turn on the machine after this waiting time, refer to “Trouble shooting”.

Forward / Reverse switch

CAUTION:


Switch off the shredder before changing the forward / reverse switch.

Position

The blades rotate in forward direction.

Position

The blades rotate in reverse direction to release jammed material.

When you change the direction into  (reverse), keep pushing the green button of the power switch to rotate the blades. The shredder automatically stops when you release the power switch.

NOTE:

- Several repetitions of reverse and forward operations may be required to shred a large object.

CAUTION:

- Always use a hook or a stick to remove jammed objects to prevent accidents.
- Always wait until the shredder stops completely before restart.

Retaining basket

CAUTION:

- Switch off and unplug the machine before attaching or removing the retaining basket.
- Check the functionality of the interlock feature every two hours for safe operation.
- Never attempt to override the interlock feature of guarding.

Lock lever:

Upper position → Retaining basket is locked.

Lower position → Retaining basket is unlocked.

The device does not switch on because of safety function.

The machine is not switched on if the lock lever is unlock position. The machine automatically stops if the retaining basket is unlocked during operation.

Blade cover

CAUTION:

- Make sure that the machine is switched off and unplugged before opening the blade cover.
- Wear protective grooves before opening the blade cover.
- The cutter does not stop immediately after switch off. Wait until all the parts stop.

In case the material clogs badly in the upper enclosure, remove them by opening the blade cover.

OPERATION

Set up the machine:

- On a flat, horizontal surface. Do not place the machine on paved or graveled ground.
- With a safe distance (at least 2 m) away from walls or other objects.

Before starting, make sure that:

- The connection cables are not damaged. If there is cuts or tears, stop operation and replace it immediately.
- There is no damage on the machine, and all screws are tight.
- The machine is assembled completely and correctly.

Check the mains connection:

- Make sure that the mains voltage matches the rated voltage on the nameplate and the machine is properly grounded.
- Use only extension cords with sufficient core cross-section.

The material which the shredder can process

The shredder can process following types of material:

- All types of branches up to the maximum diameter of the machine's capacity, depending on type and condition of wood
- Garden refuses such as withered plants or wet weed which has been laid some days (Feed them alternating with branches.)

The shredder can NOT process following types of material:

- Glass, metal, plastic, stones, ceramics, thicker branches, hard wood, thick wood plates, cloth, plastic bags, roots with soil.
- Garbage which is almost liquid state, e.g. kitchen garbage.

Operation: (Fig. 8)

- Feed the material into the filling hopper from the right side.
- In case of branches, twigs and wood, shred them just after they are cut. They may get very hard as they become dry.
- Remove any side shoots from branches if they are not easy to feed.
- Turn off the motor and disconnect the machine from the mains power supply before cleaning ejection opening.
- Do not let the shredded material accumulated in ejection opening. Otherwise those shredded material may block the ejection opening. Empty the retaining basket regularly.

- Do not feed material which is more than the maximum branch diameter specified in Technical data. Depending on the wood's freshness and condition, the maximum branch diameter may be smaller.
- Shredding wet garden waste results in a clog. To prevent the machine from clogging, alternate waste with wood containing material.
- Soft material or wet branches may be torn instead of being cut. Worn counter blade may also cause this problem.

Adjusting the blade clearance (Fig. 9)

For an effective operation, adjust the clearance between the counter blade and cutting roller.

Setting the clearance:

- Switch on the device.
- Turn the fixing knob counterclockwise to release the adjusting knob.
- Turn the adjusting knob clockwise slowly to place the counter blade closer to the cutting roller. Turn it until fine aluminum chips are falling from the ejection opening.
- Turn the fixing knob clockwise to lock the adjusting knob.

MAINTENANCE

CAUTION:

- Always be sure that the machine is switched off and unplugged before performing inspection or maintenance.
- Wear protective grooves before performing inspection or maintenance.
- The cutter does not stop immediately after switch off. Wait until all the parts stop before performing any maintenance work.
- Make sure that all the tools are removed after maintenance work.
- Never use gasoline, benzine, thinner, alcohol or the like. Discoloration, deformation or cracks may result. To clean the machine, use only moist cloth and soft brush.
- Do not hose or clean the machine with high pressured water.

After each operation, perform the following maintenance:

- Check whether all the locking screws are tight (tighten if necessary).
- Lubricate metal parts to protect them against corrosion.
- Keep the vents clean and free from dust.

The cutting roller and counter blade wears out in course of time. Ask your nearest authorized service center for replacement when it is necessary.

TROUBLE SHOOTING

WARNING: Before solving troubles, switch off the machine, pull out the mains plug, and wait until the machine stops completely.

Trouble	Possible cause	Remedy
Motor does not start	No power supply	Check mains supply.
	Mains cable defective	Ask authorized service center for checking.
	Overload protection is activated	Wait until the machine cools down and press the green button.
	Safety cut-out device of the retaining basket (Retaining basket is unlocked)	Check and lock the retaining basket.
Motor sounds but does not start	Cutting roller is blocked	Turn off the device. Switch the forward/reverse switch into reverse direction. Switch on the machine until the jam has been cleared. Switch the machine off again. Turn back the direction of forward rotation.
	Capacitor fault	Bring machine to authorized service center for repairing.
Shredding material is not drawn into the shredder	Reverse rotation.	Switch off device and switch over direction of rotation selector switch.
	Shredding material caught in filling hopper	Switch off device. Switch the forward/reverse switch into reverse direction. Switch on device to release the material to be shredded, remove any foreign matter. Switch device off again. Turn back the direction of forward rotation.
	Shredding material too soft or wet	Push down with a branch
	Cutting roller worn	Adjust fixed counter blade as described under "Adjusting the blade clearance". If the cutting roller is severely worn, replace it.
Shredding material is not cut cleanly	Fixed counter blade is not adequately adjusted	Adjust the counter blade.
Device starts but blocked by even slight load, and switches off by protective motor switch soon.	Extension cable is too long or cross-section too thin. Socket is too far from mains supply or cross-section of mains cable too thin	Check the extension cable is at least 1.5 mm ² , maximum 25 m long. If using longer cable, minimum cross-section is 2.5 mm ²

For European countries only

EC Declaration of Conformity

We Makita Corporation as the responsible manufacturer declare that the following Makita machine(s):

Designation of Machine:

Electric Shredder

Model No./ Type: UD2500

Specifications: see "Technical data" table.
are of series production and

Conforms to the following European Directives:

2000/14/EC-amended by 2005/88/EC, 2006/42/EC,
2004/108/EC

And are manufactured in accordance with the following
standards or standardised documents:

EN60335-1, EN13683

The technical documentation is kept by:

Makita International Europe Ltd.

Technical Department,
Michigan Drive, Tongwell,

Milton Keynes, Bucks MK15 8JD, England

The conformity assessment procedure required by
Directive 2000/14/EC was in Accordance with annex V.

Measured Sound Power Level: 93.49 dB (A),
K= 3.97 dB (A)

Guaranteed Sound Power Level: 97 dB (A)

28.12.2012



Tomoyasu Kato
Director

Makita Corporation
3-11-8, Sumiyoshi-cho,
Anjo, Aichi, 446-8502, JAPAN

BEZEICHNUNG DER TEILE

1 Fülltrichter	7 Oberes Gehäuse	13 Beschickungsseite
2 Netzschalter	8 Auffangkorb	14 Schraube
3 Handgriff	9 Grundrahmen	15 Gegenmesser
4 Stromversorgungsstecker	10 Einstellknopf	16 Schneidwalze
5 Verriegelungshebel	11 Feststellknopf	
6 Vorlauf-/Rücklaufschalter	12 Messerabdeckung	

TECHNISCHE DATEN

Modell	UD2500
Bezeichnung	Flüsterhäcksler
Motor	Wechselstrommotor 230 V~50 Hz
Motorleistung P1 S6-40%	2 500 W
Motorleistung P1 S1	2 000 W
Schneidwalzen-Drehzahl	40 min ⁻¹
Netzschalter mit	Überlastschutz; Vor- und Rücklauffunktion, Null-Spannungsanzeige
Gewicht	27,6 kg
Max. Astdurchmesser (nur für frisch geschnittenes Holz)	Max. 45 mm
Schutzart	I
Schutzklasse	IP X4










LÄRMDATEN

Schalldruckpegel	74,88 dB (A), K= 2,50 dB (A)
Schalldruckpegel am Ohr des Bedieners	84,4 dB (A), K= 3 dB (A)
Gemessener Schalleistungspegel	93,49 dB (A), K= 3,97 dB (A)
Garantierter Schalleistungspegel	97 dB (A)

Der Schalldruckpegel für den Bediener kann 80 dB (A) überschreiten. Tragen Sie einen Gehörschutz.

SYMBOLE

Im Folgenden werden die für die Maschine verwendeten Symbole beschrieben. Machen Sie sich vor der Benutzung mit ihrer Bedeutung vertraut.

-  • Gebrauchsanleitung lesen.
-  • Besondere Umsicht und Aufmerksamkeit erforderlich.
-  • Vor Wartung, Reinigung, Instandhaltung oder Reparatur Motor ausschalten und Stecker abziehen.
-  • Objekte können mit hoher Geschwindigkeit herausgeschleudert werden.
-  • Umstehende und Haustiere vom Gefahrenbereich fern halten.
-  • Gefahr — Rotierende Messer. Hände und Füße aus Öffnungen fern halten, während die Maschine läuft.
-  • Gefahr — Rotierende Messer. Hände und Füße aus Öffnungen fern halten, während die Maschine läuft.
-  • Augen- und Gehörschutz tragen.
-  • Schutzhandschuhe tragen.



- Das Gerät weder Regen noch Feuchtigkeit aussetzen.



- Zum Verkleinern des Abstands Knopf im Uhrzeigersinn drehen / Zum Vergrößern des Abstands Knopf entgegen dem Uhrzeigersinn drehen.



- Öffnen Sie die Messerabdeckung, um das Messer einzustellen oder Holz zu entfernen.



- Warten, bis alle Maschinenteile vollkommen still stehen.



- Benutzen Sie die Maschine nicht als Trittbrett.



- Nur für EG-Länder
Werfen Sie Elektrogeräte oder Akkus nicht in den Hausmüll! Gemäß der Europäischen Richtlinie 2002/96/EG über Elektro- und Elektronik-Altgeräte, 2006/66/EG über Batterien, Akkus sowie verbrauchte Batterien und Akkus und ihre Umsetzung gemäß den Landesgesetzen müssen Elektrogeräte und Akkus, die das Ende ihrer Lebensdauer erreicht haben, getrennt gesammelt und einer umweltgerechten Recycling-Einrichtung zugeführt werden.

SICHERHEITSHINWEISE

VOR GEBRAUCH SORGFÄLTIG LESEN BEDIENUNGSANLEITUNG FÜR SPÄTERE BEZUGNAHME AUFBEWAHREN



Nehmen Sie die Maschine erst in Betrieb, nachdem Sie diese Bedienungsanleitung gelesen haben. Befolgen Sie alle enthaltenen Anweisungen, und installieren Sie die Maschine wie beschrieben.

Verwendungszweck der Maschine

- Der Gartenhäcksler ist zum Zerkleinern folgender Gegenstände vorgesehen:
 - Alle Arten von Ästen bis zum Maximaldurchmesser der Maschinenkapazität (abhängig von Art und Zustand des Holzes)
 - Gartenabfälle, wie z. B. verwelkte Pflanzen oder nasses Unkraut, das einige Tage lang gelegen hat (Diese abwechselnd mit Ästen zuführen.)
- Der Gartenhäcksler ist nur für privaten Gebrauch, nicht für kommerziellen Einsatz, vorgesehen. Benutzen Sie ihn auch nicht an öffentlichen Orten.

Allgemeine Vorschriften

- Lesen Sie diese Bedienungsanleitung durch, um sich mit der Handhabung der Maschine vertraut zu machen. Unzureichend informierte Benutzer können sich und andere Personen durch unsachgemäßen Gebrauch gefährden.
- Verleihen Sie die Maschine nicht an Personen, die keine einschlägige Erfahrung haben.
- Fügen Sie beim Verleihen der Maschine immer diese Bedienungsanleitung bei.

- Der Flüsterhäcksler sollte nicht von Personen mit reduzierten körperlichen, sensorischen oder geistigen Fähigkeiten oder mangelnder Erfahrung und Kenntnis benutzt werden. Kleine Kinder sollten beaufsichtigt werden, um sicherzugehen, dass sie nicht mit der Maschine spielen. Lassen Sie nicht zu, dass Kinder dieses Gerät benutzen.
- Betreiben Sie die Maschine nur, wenn Sie sich in guter körperlicher Verfassung befinden. Führen Sie alle Arbeiten ruhig und sorgfältig durch. Der Benutzer ist für die Sicherheit von Personen und Schäden im Betriebsbereich verantwortlich.
- Benutzen Sie diese Maschine niemals nach der Einnahme von Alkohol oder Drogen, oder wenn Sie sich müde oder krank fühlen.
- Benutzen Sie die Maschine im Einklang mit dieser Anleitung unter Berücksichtigung der Arbeitsbedingungen und der Anwendung. Unbeabsichtigter Gebrauch der Maschine kann zu einer Gefahrensituation führen.
- Unterlassen Sie jegliche Abänderung der Maschine, einschließlich der Sicherheitseinrichtungen, wie z. B. der Sperrvorrichtung. Dies gefährdet Ihre Sicherheit.
- Die Handhabung der Maschine kann durch staatliche oder lokale Bestimmungen eingeschränkt sein.
- Bleiben Sie wachsam. Lassen Sie bei der Arbeit Vorsicht walten. Seien Sie vernünftig. Benutzen Sie die Maschine nicht, wenn Sie müde sind.

Persönliche Schutzausrüstung

- Zweckmäßige Kleidung tragen. Die Kleidung soll zweckmäßig und angemessen, d. h. eng anliegend, aber nicht hinderlich sein. Tragen Sie keine Schmuckgegenstände oder Kleidung, die sich an der Maschine verfangen können. Tragen Sie eine schützende Kopfbedeckung, um langes Haar zu raffen.
- Tragen Sie stets Gehörschützer, um Gehörschäden zu verhüten.
- Tragen Sie eine Schutzbrille, um Ihre Augen vor Bruchstücken zu schützen, die aus dem Fülltrichter herausgeschleudert werden.
- Tragen Sie Schutzhandschuhe, um Verletzungen der Finger zu verhüten.
- Tragen Sie eine Gesichtsmaske, wenn die Staubmenge erheblich ist, z. B. beim zerkleinern trockener Äste, Hecken mit Blättern.
- Tragen Sie bei Gebrauch der Maschine stets festes Schuhwerk mit rutschfester Sohle. Dies schützt vor Verletzungen und gewährleistet guten Stand.

Sicherheit im Arbeitsbereich

- Halten Sie Kinder und Umstehende während der Benutzung der Maschine vom Arbeitsbereich fern.
- Betreiben Sie die Maschine in einem offenen Raum auf einer festen, waagerechten Fläche. Betreiben Sie die Maschine nicht in der Nähe einer Wand oder anderer Objekte.
- Betreiben Sie die Maschine nicht in explosiven Umgebungen, wie z. B. in Gegenwart von brennbaren Flüssigkeiten, Gasen oder Staub. Die Maschine erzeugt Funken, die den Staub oder die Dämpfe entzünden können.
- Betreiben Sie die Maschine nicht auf einer gepflasterten oder geschotterten Fläche, wo ausgeworfenes Material zu Verletzungen führen kann.

- Halten Sie den Arbeitsbereich sauber und gut beleuchtet. Unaufgeräumte oder dunkle Bereiche führen zu Unfällen.
- Setzen Sie die Maschine keinem Regen oder Nässe aus. In die Maschine eindringendes Wasser kann die Gefahr eines elektrischen Schlags erhöhen.

Starten der Maschine

- Bevor Sie den Stecker anschließen oder die Maschine einschalten:
 - Prüfen Sie, ob alle Schrauben, Muttern und andere Befestigungselemente einwandfrei festgezogen sind.
 - Prüfen Sie, ob Schutzeinrichtungen, Abweiser und Schirme angebracht und in gutem Betriebszustand sind.
 - Ersetzen Sie beschädigte oder unlesbare Aufkleber.
 - Vergewissern Sie sich, dass der Fülltrichter leer ist.
 - Vergewissern Sie sich, dass die Ein- und Auslassöffnungen einwandfrei geschützt sind.
 - Überprüfen Sie alle Teile der Maschine sorgfältig, um festzustellen, ob sie einwandfrei funktioniert und ihren vorgesehenen Zweck erfüllt. Benutzen Sie die Maschine insbesondere dann nicht, wenn der Schalter nicht normal funktioniert.
- Falls das Versorgungskabel beschädigt ist, wenden Sie sich an eine autorisierte Makita-Kundendienststelle, um es durch ein Original-Ersatzteil ersetzen zu lassen.

Elektrische Sicherheit

WARNING:

- Dieses Gerät ist ein Gerät der Klasse I. Schließen Sie es an eine Steckdose mit Erdungskontakt an. Unsachgemäße Erdung kann einen elektrischen Schlag und Tod verursachen. Verwenden Sie nur Dreileiter-Verlängerungskabel mit Dreistift-Schutzkontaktsteckern und Dreipol-Steckdosen, in die der Stecker der Maschine passt.
- Vermeiden Sie Körperkontakt mit geerdeten Gegenständen (z. B. Rohre, Kühler) während des Betriebs.
- Verwenden Sie nur ein Verlängerungskabel IEC60245 (H07RN-F) für Freiluftbenutzung mit spritzwassergeschütztem Stecker. Der Kabelquerschnitt muss mindestens 1,5 mm² für Kabellängen bis zu 25 m, und 2,5 mm² für Kabellängen über 25 m betragen.
- Bei Verwendung eines langen, dünnen Kabels kann ein Spannungsabfall auftreten. Sollte dies eintreten, kann das eine Leistungseinbuße der Maschine zur Folge haben.
- Wenn Sie das Verlängerungskabel verwenden, achten Sie darauf, dass es nicht stört, nicht eingequetscht oder verbogen wird, und dass der Stecker nicht nass wird.
- Wenn Sie eine Kabelrolle verwenden, wickeln Sie das Kabel vollständig von der Rolle ab.
- Missbrauch des Kabels unterlassen. Benutzen Sie das Kabel niemals zum Tragen, Ziehen oder Abtrennen der Maschine. Halten Sie das Kabel von Hitze, Öl, scharfen Kanten oder beweglichen Teilen fern. Ein beschädigtes oder verheddertes Kabel erhöht die Stromschlaggefahr.
- Überprüfen Sie das Verlängerungskabel regelmäßig auf Beschädigung der Isolierung. Ersetzen Sie es bei Beschädigung.

- Falls das Verbindungskabel beschädigt wird, ziehen Sie sofort den Netzstecker ab. Ein beschädigtes Kabel kann Kontakt mit Strom führenden Teilen und einen elektrischen Schlag verursachen.
- Niemals beschädigte Kabel verwenden.
- Schließen Sie die Maschine nur an Steckdosen in geprüften Stromkreisen an. Stellen Sie sicher, dass die Systemspannung mit der Angabe auf dem Typenschild übereinstimmt.
- Die Schutzvorrichtungen werden auf keinen Fall deaktiviert oder umgangen dürfen.
- Wenn Sie die Maschine im Freien benutzen, verwenden Sie immer einen Fehlerstrom-Schutzschalter (RCD) mit einem Betriebsstrom von maximal 30 mA.

Betrieb

- Halten Sie Gesicht und Körper von der Einlassöffnung fern.
- Achten Sie stets darauf, dass Ihre Hände, andere Körperteile oder Kleidungsstücke nicht in die Einlass- und Auswurföffnung oder in die Nähe von beweglichen Teilen geraten. Es könnte sonst zu ernsthaften Verletzungen kommen.
- Übernehmen Sie sich nicht. Achten Sie stets auf sicheren Stand und gute Balance. Sie haben dann in unerwarteten Situationen eine bessere Kontrolle über die Maschine. Stehen Sie nicht auf einer höheren Ebene als die Basis der Maschine, wenn Sie Material zuführen.
- Halten Sie während des Betriebs immer ausreichenden Abstand von der Auswurföffnung.
- Befolgen Sie regionale Lärmschutzvorschriften.
- Führen Sie keine Steine, Metallteile, Flaschen oder andere Fremdkörper zu. Achten Sie bei der Beschickung darauf, dass solche Fremdkörper nicht im Material enthalten sind.
- Schalten Sie sofort den Motor aus, und ziehen Sie den Stecker ab, falls das Messer auf einen Fremdkörper stößt oder die Maschine zu vibrieren beginnt oder ungewöhnliche Geräusche erzeugt. Überprüfen Sie den Häcksler auf Beschädigung, und ziehen Sie lose Teile fest. Lassen Sie die Maschine von einer autorisierten Kundendienststelle reparieren.
- Achten Sie darauf, dass sich kein zerkleinertes Material in der Auswurföffnung ansammelt. Anderenfalls kann es zu Rückstoß von Material durch die Einlassöffnung kommen.
- Schalten Sie den Motor aus, und ziehen Sie den Stecker ab, bevor:
 - Wann immer Sie die Maschine unbeaufsichtigt lassen
 - Bevor Sie eine Blockierung oder einen Fehler beseitigen
 - Bevor Sie die Maschine überprüfen, reinigen oder daran arbeiten
 - Bevor Sie Einstellungen vornehmen, Zubehör wechseln oder die Maschine lagern
 - Wann immer die Maschine zu vibrieren beginnt oder ungewöhnliche Geräusche erzeugt
 - Säubern der Einlass- oder Auswurföffnung
 - Anbringen oder Abnehmen des Auffangkorbs
 - Transportieren.
- Kippen Sie die Maschine nicht während des Betriebs.
- Halten Sie ausreichenden Abstand, wenn Sie langes Material zuführen. Es könnte zurückspringen und Verletzungen verursachen.

- Betreiben Sie die Maschine nicht ohne den Fülltrichter.
- Üben Sie keinen übermäßigen Druck auf die Maschine aus. Die Maschine kann ihren Zweck besser und sicherer erfüllen, wenn sie sachgemäß gehandhabt wird. Häufige Überlastung kann eine Beschädigung des Motors oder einen Brand verursachen.
- Sachgerechte Vorrichtungen benutzen. Verwenden Sie Vorrichtungen nicht für sachfremde Zwecke. Versuchen Sie niemals, Metallteile, Glas, Steine, Keramik, Kunststoff, dickere Äste, Hartholz oder dicke Holzplatten usw. zuzuführen.

Wartungsvorschriften

- Lassen Sie Ihre Maschine immer von einer unserer autorisierten Kundendienststellen unter Verwendung von Original-Ersatzteilen warten. Unsachgemäße Reparatur und schlechte Wartung können die Lebensdauer der Maschine verkürzen und die Unfallgefahr erhöhen.
- Vor Wartung, Inspektion, Einstellung, Lagerung oder Austausch eines Zubehörs sind die folgenden Maßnahmen zu treffen:
 - Die Stromquelle abschalten
 - Die Maschine von der Stromversorgung trennen
 - Vergewissern Sie sich, dass alle beweglichen Teile zum vollständigen Stillstand gekommen sind
 - Lassen Sie die Maschine abkühlen.
- Überprüfen Sie die Maschine auf mögliche Beschädigung:
 - Ob die Schutzvorrichtungen ihre bestimmungsgemäße Funktion erfüllen
 - Ab alle beweglichen Teile reibungslos und angemessen funktionieren
 - Ob alle Teile unbeschädigt und korrekt eingebaut sind
 - Lassen Sie beschädigte Teile von einer unserer autorisierten Kundendienststellen austauschen oder reparieren.
- Lassen Sie bei der Wartung des Schneidwerks äußerste Vorsicht walten. Das Schneidwerk kann durch die Verriegelungsfunktion der Schutzeinrichtungen manuell bewegt werden.
- Reinigen Sie das Gerät nicht mit Wasser. Dies kann einen elektrischen Schlag verursachen.
- Tragen Sie Schutzhandschuhe während der Wartungs- oder Montagearbeit, um Verletzungen der Finger zu verhüten.
- Führen Sie außer den in dieser Bedienungsanleitung beschriebenen Wartungs- oder Reparaturarbeiten keine anderen Arbeiten aus. Darüber hinausgehende Arbeiten müssen von einer autorisierten Makita-Kundendienststelle ausgeführt werden.
- Verwenden Sie nur für Ihre Maschine vorgesehene Original-Makita-Ersatz- und Zubehörs. Andernfalls kann es zu Verletzungen oder Beschädigung der Maschine kommen.
- Lagern Sie die Maschine in einem trockenen Raum. Halten Sie sie außer Reichweite von Kindern. Lagern Sie die Maschine keinesfalls im Freien.

MONTAGE

⚠ VORSICHT:

- Vergewissern Sie sich vor der Ausführung von Arbeiten an der Maschine stets, dass sie ausgeschaltet und vom Stromnetz getrennt ist.

1. Das obere Gehäuse auf ebenen Boden legen. Dann den Grundrahmen darauf setzen. Auf die Richtung des Teils achten. **(Abb. 2)**
2. Alle Teile durch Anziehen der Schrauben befestigen. Sicherstellen, dass sie vollkommen stabil sind. **(Abb. 3)**
3. Die Stopper mit Schrauben anbringen. Sicherstellen, dass sie fest angezogen sind. **(Abb. 4)**
4. Die Räder wie folgt anbringen: **(Abb. 5)**
 - Die Achse an einem der Räder anbringen.
 - Die Achse durch die Löcher im Bein schieben.
 - Das andere Rad an der Achse anbringen, indem der Stift durch das Loch in der Achse geschoben wird. Das Rad durch Biegen des Stifts sichern.
 - Die Abdeckungen an den Rädern anbringen.
5. Den Auffangkorb anbringen. Dann den Verriegelungshebel anheben. **(Abb. 6)**

FUNKTIONSBESCHREIBUNG

⚠ WARNUNG:

Vergewissern Sie sich immer, dass die Maschine ausgeschaltet ist, bevor Sie sie ans Stromnetz anschließen. Wird die Maschine bei eingeschaltetem Schalter angeschlossen, kann sie plötzlich anlaufen und schwere Verletzungen verursachen.

Netzschalter (Abb. 7)

⚠ VORSICHT:

Benutzen Sie die Maschine nicht, wenn sie sich nicht mit dem Netzschalter ein- und ausschalten lässt. Lassen Sie fehlerhafte Schalter von einer autorisierten Makita-Kundendienststelle auswechseln.

Zum Einschalten der Maschine den grünen Knopf drücken.

Zum Ausschalten der Maschine den roten Knopf drücken.

LED-Lampe

Die LED-Lampe zeigt den Zustand der Maschine wie folgt an:

ROT: Wenn die Maschine mit der Stromversorgung verbunden und ausgeschaltet ist.

GRÜN: Wenn die Maschine eingeschaltet ist.

Ständiges Blinken in GRÜN: Wenn die Maschine während des Betriebs blockiert ist.

Blinken in ROT: Wenn die Maschine sich nicht automatisch wiederherstellen kann. Beseitigen Sie die Störung in diesem Fall manuell.

Schutz vor ungewolltem Neustart

Bei einem Stromausfall schaltet sich die Maschine automatisch aus. Um sie wieder zu starten, drücken Sie den grünen Knopf erneut.

Überlastschutz

Der Motor ist mit einem Überlastschutz ausgestattet. Bei Überlastung verhält sich die Maschine wie folgt:

- Das Messer läuft für zwei bis drei Sekunden rückwärts, um zu versuchen, das zerkleinerte Material zurückzuschieben.
- Das Messer läuft wieder vorwärts.
- Falls das Material nach dreimaliger Wiederholung dieses Vorgangs noch immer festsetzt, bleibt die Maschine stehen, wobei die LED-Lampe in Rot blinkt.

Wenn dies eintritt, führen Sie die folgenden Schritte aus:

- Schalten Sie die Maschine aus.
- Warten Sie, bis das Messer vollkommen still steht.
- Entfernen Sie das festsetzende Material.
- Schalten Sie den Häcksler nach etwa 5 Minuten wieder ein, und führen Sie leichteres Material zu.
- Falls sich die Maschine nach dieser Wartezeit nicht einschalten lässt, nehmen Sie auf „Fehlersuche“ Bezug.

Vorlauf-/Rücklaufschalter

⚠ VORSICHT:

Schalten Sie den Häcksler aus, bevor Sie den Vorlauf-/Rücklaufschalter umschalten.

Position ↓

Die Messer drehen sich in Vorwärtsrichtung.

Position ↑

Die Messer drehen sich in Rückwärtsrichtung, um gestautes Material zu lösen.

Wenn Sie die Richtung auf ↑ (rückwärts) umschalten, halten Sie den grünen Knopf des Netzschalters gedrückt, um die Messer zu drehen. Der Häcksler bleibt automatisch stehen, sobald Sie den Netzschalter loslassen.

HINWEIS:

- Mehrmaliges Wiederholen des Rück- und Vorlaufbetriebs kann notwendig sein, um ein großes Objekt zu zerkleinern.

⚠ VORSICHT:

- Entfernen Sie festsetzende Objekte immer mit einem Haken oder Stock, um Unfälle zu verhüten.
- Warten Sie immer, bis der Häcksler vollkommen still steht, bevor Sie ihn wieder starten.

Auffangkorb

⚠ VORSICHT:

- Schalten Sie die Maschine aus, und ziehen Sie den Stecker ab, bevor Sie den Auffangkorb anbringen oder abnehmen.
- Überprüfen Sie die Funktionstüchtigkeit der Verriegelungsfunktion alle zwei Stunden, um sicheren Betrieb zu gewährleisten.
- Versuchen Sie niemals, die Verriegelungsfunktion der Schutzvorrichtung aufzuheben.

Verriegelungshebel:

Obere Position → Auffangkorb ist verriegelt.

Untere Position → Auffangkorb ist entriegelt.

Das Gerät lässt sich wegen der Sicherheitsfunktion nicht einschalten.

Die Maschine kann nicht eingeschaltet werden, wenn sich der Verriegelungshebel in der Entriegelungsposition befindet. Die Maschine bleibt automatisch stehen, wenn der Auffangkorb während des Betriebs entriegelt wird.

Messerabdeckung

⚠ VORSICHT:

- Vergewissern Sie sich, dass die Maschine ausgeschaltet und vom Stromnetz getrennt ist, bevor Sie die Messerabdeckung öffnen.
- Ziehen Sie Schutzhandschuhe an, bevor Sie die Messerabdeckung öffnen.
- Das Schneidwerk bleibt nicht sofort nach dem Ausschalten stehen. Warten Sie, bis alle Teile still stehen.

Falls das obere Gehäuse schwer mit Material verstopft ist, entfernen Sie das Material durch Öffnen der Messerabdeckung.

BETRIEB

Stellen Sie die Maschine auf:

- Auf einer flachen, horizontalen Fläche. Stellen Sie die Maschine nicht auf gepflasterten oder geschotterten Boden.
- In sicherem Abstand (mindestens 2 m) von Wänden oder anderen Objekten.

Stellen Sie vor dem Starten Folgendes sicher:

- die Verbindungskabel unbeschädigt sind. Falls sie Schnitte oder Risse aufweisen, brechen Sie sofort den Betrieb ab, und ersetzen Sie die Kabel.
- Die Maschine ist unbeschädigt, und alle Schrauben sind festgezogen.
- Die Maschine ist vollständig und korrekt zusammengesetzt.

Überprüfen Sie den Netzanschluss:

- Vergewissern Sie sich, dass die Netzspannung mit der Nennspannung auf dem Typenschild übereinstimmt und die Maschine ordnungsgemäß geerdet ist.
- Verwenden Sie nur Verlängerungskabel mit ausreichendem Kernquerschnitt.

Material, das der Häcksler zerkleinern kann

Der Häcksler kann folgende Materialarten zerkleinern:

- Alle Arten von Ästen bis zum Maximaldurchmesser der Maschinenkapazität, abhängig von Art und Zustand des Holzes
- Gartenabfälle, wie z. B. verwelkte Pflanzen oder nasses Unkraut, das einige Tage lang gelegen hat (Diese abwechselnd mit Ästen zuführen.)

Der Häcksler kann folgende Materialarten NICHT zerkleinern:

- Glas, Metall, Kunststoff, Steine, Keramik, dickere Äste, Hartholz, dicke Holzplatten, Stoff, Plastiktüten, Wurzeln mit Erde.
- Nahezu flüssige Abfälle, wie z. B. Küchenabfälle.

Betrieb: (Abb. 8)

- Führen Sie das Material von der rechten Seite in den Fülltrichter ein.
- Äste, Zweige und Holz sind unmittelbar nach dem Schneiden zu zerkleinern. Wenn sie trocken werden, können sie sehr hart werden.
- Entfernen Sie jegliche Seitentriebe von Ästen, wenn sie nicht leicht zuführbar sind.

- Schalten Sie den Motor aus, und trennen Sie die Maschine vom Stromnetz, bevor Sie die Auswurföffnung reinigen.
- Achten Sie darauf, dass sich kein zerkleinertes Material in der Auswurföffnung ansammelt. Anderenfalls kann dieses zerkleinerte Material die Auswurföffnung blockieren. Leeren Sie den Auffangkorb regelmäßig.
- Führen Sie kein Material zu, das dicker als der in den Technischen Daten angegebene maximale Astdurchmesser ist. Abhängig von der Frische und dem Zustand des Holzes kann der maximale Astdurchmesser kleiner sein.
- Zerkleinern von nassen Gartenabfällen führt zu Verstopfung. Um Verstopfung der Maschine zu verhindern, führen Sie abwechselnd Abfälle und Holzmaterial zu.
- Weiches Material oder nasse Äste werden möglicherweise zerrissen, statt geschnitten zu werden. Ein abgenutztes Gegenmesser kann ebenfalls dieses Problem verursachen.

Einstellen des Messerabstands (Abb. 9)

Um effektiven Betrieb zu erzielen, muss der Abstand zwischen Gegenmesser und Schneidwalze eingestellt werden.

Einstellen des Abstands:

- Schalten Sie das Gerät ein.
- Drehen Sie den Feststellknopf entgegen dem Uhrzeigersinn, um den Einstellknopf freizugeben.
- Führen Sie den Einstellknopf langsam im Uhrzeigersinn, um das Gegenmesser an die Schneidwalze anzunähern. Drehen Sie den Knopf so weit, bis feine Aluminiumspäne aus der Auswurföffnung herausfallen.
- Drehen Sie den Feststellknopf im Uhrzeigersinn, um den Einstellknopf zu verriegeln.

WARTUNG

VORSICHT:

- Vergewissern Sie sich stets, dass die Maschine ausgeschaltet und vom Stromnetz getrennt ist, bevor Sie Inspektions- oder Wartungsarbeiten durchführen.
- Ziehen Sie Schutzhandschuhe an, bevor Sie Inspektions- oder Wartungsarbeiten durchführen.
- Das Schneidwerk bleibt nicht sofort nach dem Ausschalten stehen. Warten Sie, bis alle Teile still stehen, bevor Sie Wartungsarbeiten durchführen.
- Vergewissern Sie sich nach der Wartungsarbeit, dass alle Werkzeuge entfernt worden sind.
- Verwenden Sie auf keinen Fall Benzin, Benzol, Verdünnern, Alkohol oder dergleichen. Solche Mittel können Verfärbung, Verformung oder Rissbildung verursachen. Verwenden Sie ein feuchtes Tuch und eine weiche Bürste zum Reinigen der Maschine.
- Verwenden Sie keinen Hochdruckschlauch oder Hochdruckwascher zum Reinigen der Maschine.

Führen Sie nach jedem Betrieb die folgenden Wartungsarbeiten durch:

- Prüfen Sie nach, ob alle Sicherungsschrauben fest sitzen (nötigenfalls anziehen).
- Schmieren Sie Metallteile zum Schutz vor Korrosion.
- Halten Sie die Lüftungöffnungen sauber und staubfrei.

Schneidwalze und Gegenmesser nutzen im Laufe der Zeit ab. Lassen Sie die Teile bei Bedarf von der nächsten autorisierten Kundendienststelle austauschen.

FEHLERSUCHE

WARNUNG: Bevor Sie mit der Störungsbehebung beginnen, sollten Sie die Maschine ausschalten, den Netzstecker abziehen und warten, bis die Maschine vollkommen still steht.

Störung	Mögliche Ursache	Abhilfemaßnahme
Der Motor startet nicht.	Keine Stromversorgung	Netzanschluss überprüfen.
	Netz Kabel defekt	Von autorisierter Kundendienststelle überprüfen lassen.
	Überlastschutz wurde aktiviert	Warten, bis die Maschine abgekühlt ist, und dann den grünen Knopf drücken.
	Sicherheitsabschaltvorrichtung des Auffangkorb (Auffangkorb ist entriegelt)	Den Auffangkorb überprüfen und verriegeln.
Motor erzeugt Geräusch, startet aber nicht.		Gerät ausschalten. Den Vorlauf-/Rücklaufschalter auf Rückwärtsrichtung umschalten.
	Schneidwalze ist blockiert.	Die Maschine einschalten, bis der Stau beseitigt worden ist. Die Maschine wieder ausschalten. Die Drehrichtung wieder auf Vorwärtsdrehung umschalten.
	Kondensatordefekt	Die Maschine von einer autorisierten Kundendienststelle reparieren lassen.
Das Häckselmaterial wird nicht in den Häcksler eingezogen.	Rückwärtsdrehung.	Das Gerät ausschalten, und den Drehrichtungswahlschalter umschalten.
	Häckselmaterial sitzt im Fülltrichter fest.	Das Gerät ausschalten. Den Vorlauf-/Rücklaufschalter auf Rückwärtsrichtung umschalten. Das Gerät einschalten, um das zu zerkleinernde Material zu lösen, und etwaige Fremdkörper entfernen. Das Gerät wieder ausschalten. Die Drehrichtung wieder auf Vorwärtsdrehung umschalten.
	Das Häckselmaterial ist zu weich oder nass.	Mit einem Ast niederdrücken
	Schneidwalze abgenutzt.	Feststehendes Gegenmesser gemäß Beschreibung unter „Einstellen des Messerabstands“ einstellen. Die Schneidwalze austauschen, wenn sie stark abgenutzt ist.
Häckselmaterial wird nicht sauber geschnitten	Das feststehende Gegenmesser ist nicht angemessen eingestellt.	Das Gegenmesser einstellen.
Das Gerät startet, blockiert aber bereits bei leichter Belastung, und wird bald durch den Motorschutzschalter ausgeschaltet.	Das Verlängerungskabel ist zu lang, oder der Querschnitt ist zu dünn. Die Steckdose ist zu weit vom Stromnetz entfernt, oder der Querschnitt des Netzkabels ist zu dünn.	Sicherstellen, dass das Verlängerungskabel einen Querschnitt von mindestens 1,5 mm ² hat und maximal 25 m lang ist. Wird ein längeres Kabel verwendet, muss es einen Querschnitt von mindestens 2,5 mm ² haben.

Nur für europäische Länder

EG-Übereinstimmungserklärung

Wir, die Firma Makita als verantwortlicher Hersteller, erklären, dass die folgende(n) Makita-Maschine(n):

Bezeichnung der Maschine:

Flüsterhacksler

Modell-Nr./Typ: UD2500

Technische Daten: siehe Tabelle „Technische Daten“

der Serienproduktion entstammen und

den folgenden europäischen Richtlinien entsprechen:

2000/14/EG abgeändert durch 2005/88/EG, 2006/42/EG, 2004/108/EG

und gemäß den folgenden Standards oder standardisierten Dokumenten hergestellt werden:

EN60335-1, EN13683

Die technische Dokumentation befindet sich im Bestand von:

Makita International Europe Ltd.

Technische Abteilung,

Michigan Drive, Tongwell,

Milton Keynes, Bucks MK15 8JD, England

Das von der Richtlinie 2000/14/EG geforderte Konformitätsbewertungsverfahren war in Übereinstimmung mit Anhang V.

Gemessener Schalleistungspegel: 93,49 dB (A),

K= 3,97 dB (A)

Garantierter Schalleistungspegel: 97dB (A)

28.12.2012



Tomoyasu Kato

Direktor

Makita Corporation

3-11-8, Sumiyoshi-cho,

Anjo, Aichi, 446-8502, JAPAN

Makita Corporation
3-11-8, Sumiyoshi-cho,
Anjo, Aichi 446-8502 Japan

UD2500-23L-1012

IDE

www.makita.com