

## MODELS 5303DC, 6303DC, 6803DC OWNER'S GUIDE

BEDIENUNGSANLEITUNG FÜR DIE MODELLE 5303DC, 6303DC, 6803DC, GUIDE D'UTILISATION – MODÈLES 5303DC, 6303DC et 6803DC, GEBRUIKERSHANDLEIDING MODELLEN 5303DC, 6303DC, 6803DC, MODELLI 5303DC, 6303DC, 6803DC MANUALE UTENTE, MANUAL DO PROPRIETÁRIO - MODELOS 5303DC, 6303DC E 6803DC, GUÍA DEL PROPIETARIO DE MODELOS 5303DC, 6303DC, 6803DC, MODELÝ 5303DC, 6303DC, 6803DC – NÁVOD K POUŽITÍ, MODELL 5303DC, 6303DC, 6803DC ÄGARHANDBOK, MODELÝ 5303DC, 6303DC, 6803DC NÁVOD NA OBSLUHU

# CONTENTS

Important Instructions .....	2
Getting Started .....	5
Features .....	7
Controls.....	8
How To Use .....	10
Remote Control.....	11
Grill & Blade Removal .....	12
Cleaning .....	13
Troubleshooting .....	14
Product Information.....	15
Warranty.....	16



5303DC

6303DC

6803DC

Deutsch p. 17  
Français p. 33

Nederlands p. 49  
Italiano p. 65

Português p. 81  
Español p. 97

Czech p. 113  
Swedish p. 129

Slovak p. 145

# IMPORTANT INSTRUCTIONS

## READ ALL INSTRUCTIONS BEFORE USING.

This owner's guide and any additional inserts are considered part of the product. They contain important information about safety, use, and disposal. Before using the product, please familiarize yourself with all operating and safety instructions. Please keep all documents for future reference and pass these documents on, together with the product, to any future owner. Please refer to our website for the most current version of our owner's guide.

The following Warning messages are throughout this owners guide:

### DANGER

Indicates a hazard with a **HIGH** level of risk which, if not avoided, will result in death or serious injury. Please pay special attention to any instructions given to avoid this threateningly dangerous risk.

### WARNING

Indicates a hazard with a **MEDIUM** level of risk which, if not avoided, could result in death, serious injury, minor or moderate injury or potential property damage.

### IMPORTANT INSTRUCTIONS

Indicates additional information that will assist in the care of handling of the device.

**INTENDED USE:** This product is intended to circulate the air in indoor living spaces only. This product is not intended for commercial or industrial uses.

The manufacturer assumes no responsibility for damage caused by failure to follow these instructions or improper product use. Any such actions will invalidate the product warranty.

**WARNING** – When using electrical appliances, basic precautions should always be followed to reduce the risk of fire, electric shock and injury to persons, including the following:

### WARNING

**Risk from Unintended Use and Handling. Please take care to follow these guidelines to avoid risks to people or property.**

- **Do Not** use this product outdoors or directly exposed to weather.
- **Do Not** use this device in tropical humid climates. If the product is brought in from the cold to a warm area (e. g., during transport), condensation can occur within the unit. Let the device reach room temperature, before using it.
- **Do Not** use this product on wet surfaces. Do not use this product in a bathtub, shower or locate product where it may fall into a bathtub, laundry, swimming pool or other water container.
- **Do Not** immerse this product in water or allow water to drip into the motor housing.
- **Do Not** use near furnaces, fireplaces, stoves or other high-temperature heat sources.
- **Do Not** position this product too close to draperies or other loose fabrics as they may be drawn into the product, cutting off airflow and

damaging the motor.

- **Do Not** carry this product by the cord, or use the cord as a handle as it can damage internal wiring. Do not unplug product by pulling on cord or place the cord under strain. To unplug, grasp the plug, not the power cord.
- **Do Not** run cord under carpeting. Do not cover cord with throw rugs, runners, or similar coverings. Do not route cord under furniture or appliances. Arrange cord away from traffic area and where it will not be tripped over. To avoid a tripping hazard, safely coil/store the power cord.

**ELECTRICAL CONNECTION:** Only a proper 230V~50Hz AC outlet may be used to connect to public power supply.

### DANGER

**Risk from Electrical Shock. Contact with wires or components that are under voltage could be potentially fatal!**

- **Do Not** touch the product with wet or damp hands.
- **Do Not** operate any product with a damaged cord or plug or after the product malfunctions, has been dropped or damaged in any manner. Discard product, or return to authorized service facility for examination and/or repair in order to avoid a hazard.
- If the supply cord is damaged, it must be replaced by the manufacturer or its service agent or a similarly qualified person in order to avoid a hazard.
- **Do Not** stretch the power cord or put the cord under strain.
- **Do not** insert or allow foreign objects to enter any input or output opening as they may cause risk of electric shock or fire, or damage the product.
- Turn off all controls before unplugging. Unplug from wall outlet if not

in use for extended periods of time.

- **Do Not** open appliance housing. To avoid risk of shock, all service and/ore repairs must be done by a Vornado Authorized Service Center. Only original replacement parts may be used.
- For safety reasons, always unplug the unit in the event of a thunderstorm.

### WARNING

**Risk from Improper Installation. Please take care to follow these guidelines to avoid risks to people or property.**

- Ensure that wall power outlet is easily accessible so unit can be disconnected during an emergency.
- To reduce the risk of fire or electrical shock, do not use this product with any external (solid state) speed control device.
- To reduce the risk of fire or electric shock and injury to persons, do not use in a window.

### WARNING

**Risk to Children and Other at Risk Groups of People.**

- This appliance can be used by children aged from 8 years and above and persons with reduced physical, sensory or mental capabilities or lack of experience and knowledge if they have been given supervision or instruction concerning use of the appliance in a safe way and understand the hazards involved.
- Children shall not play with the appliance.
- Cleaning and user maintenance shall not be made by children without supervision.

- This product and its packaging material are not toys and should be kept out of reach of children.

### Information Regarding the EC Declaration of Conformity

This product conforms with all relevant and necessary EC directives, including:

- Low Voltage Directive (LVD)
- Electromagnetic Compatibility Directive (EMC)
- Energy Related Product Directive (ErP)
- Restriction of Hazardous Substances Directive (RoHS)
- Registration, Evaluation, Authorisation, and Restriction of Chemicals (REACH)

**The complete Declaration of Conformity is registered and can be obtained from the importer.**



**PACKAGE RECYCLING:** The packaging protects the appliance from transport damage. The packaging materials are selected from the point of view of their environmental friendliness and disposal technology and are therefore recyclable.



- Dispose of all packaging materials in an environmentally responsible manner.



### WEEE Recycling

- **Waste Electrical and Electronic Equipment Disposal:** This marking indicates that this product should not be disposed with other household wastes throughout the EU. To prevent possible harm to the environment or human health from uncontrolled waste disposal, recycle it responsibly to promote the sustainable reuse of material resources. To return your used device, please use the return and collection systems or contact the retailer where the product was purchased. They can take this product for environmental safe recycling.



### Battery Recycling

- **BATTERY DISPOSAL** - Batteries must be disposed of separately from the product and not included in domestic waste. Dispose of all types of batteries through an approved disposal centre or at your community waste facility. Observe the current applicable regulations. In case of doubt, please contact your waste disposal centre.
- Every consumer is legally obliged to all batteries and accumulators, regardless of whether they contain harmful substances\* or not, to submit to a collection point of the city or of the trade, so that they can be disposed of in an environmentally sound disposal method.

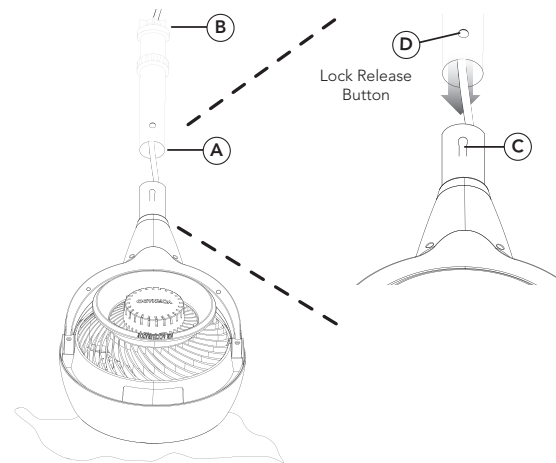
\*Identification Cd = cadmium; Hg = mercury; Pb = lead

# GETTING STARTED

## Installing Circulator Head (Model 6803DC Only)

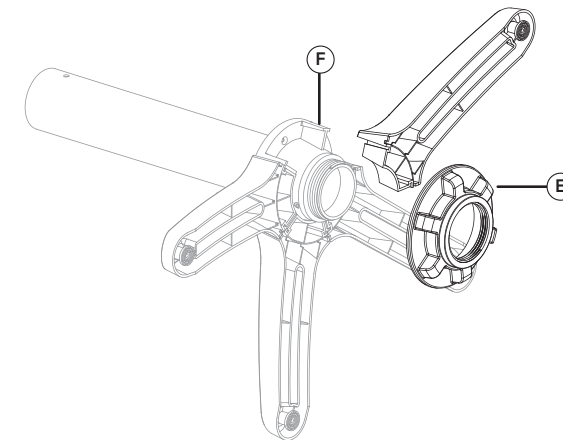
*No tools required!*

1. Gently place the circulator head face down on the ground on a soft cloth to avoid scratches or damages to the unit. Insert power cord into the top of pole (A) and pull through the bottom (B). Align the Lock Release Button (C) on circulator head with the hole (D) located on the pole. Push the pole onto the circulator head until the Lock Release Button snaps into place.



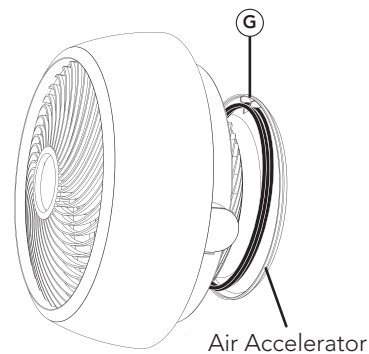
## Stand Assembly (Model 6803DC Only)

1. The upper pole and lower pole are pre-assembled, with the fastening nut (E) secured on the underside of the base. Rotate fastening nut counter-clockwise to remove.
2. The legs are designed to fit into the grooves (F) on the underside of the base cap. Assemble all the legs onto the pole, then replace fastening nut by rotating clockwise to secure all the legs in place.



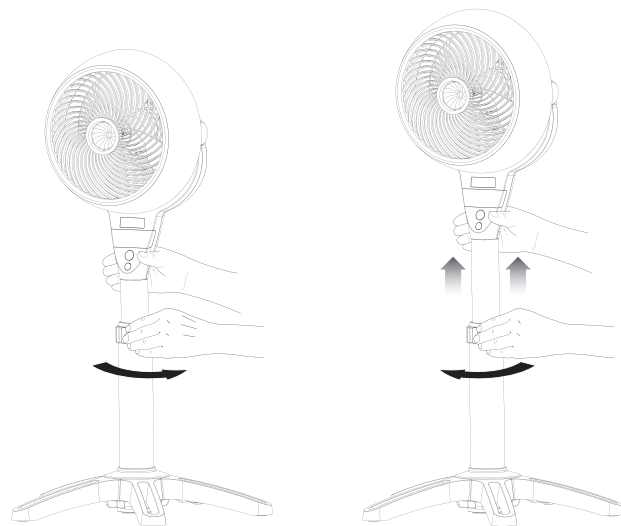
## Cord Management

1. Wrap cord around Air Accelerator, located on back of unit. Secure cord with three clips (G) located at 2, 6 and 10 o'clock positions.



## Adjusting Height (Model 6803DC Only)

1. Before adjusting the height of the circulator, support the circulator head with one hand. Use your other hand to loosen the height adjustment collar by gently rotating it counter-clockwise.
2. Slowly raise or lower the pole to the desired height and secure into position by rotating the adjustment collar clockwise until tight.



# FEATURES

## DIRECTABLE AIRFLOW

Direct the airflow where you want it.

## ENERGY-SAVING TIMER

1-12 hour timer.

## TOUCH-SENSITIVE CONTROLS (99 SPEEDS)

A speed setting for every comfort level.

## REMOTE CONTROL

Convenience at your fingertips.



## CORD MANAGEMENT

Integrated cord wrap.

## FINGER FRIENDLY DESIGN

Resists curious fingers.

## SILICON FEET

Non-marking feet added for stability.

# CONTROLS

Model 5303DC, 6303DC Only



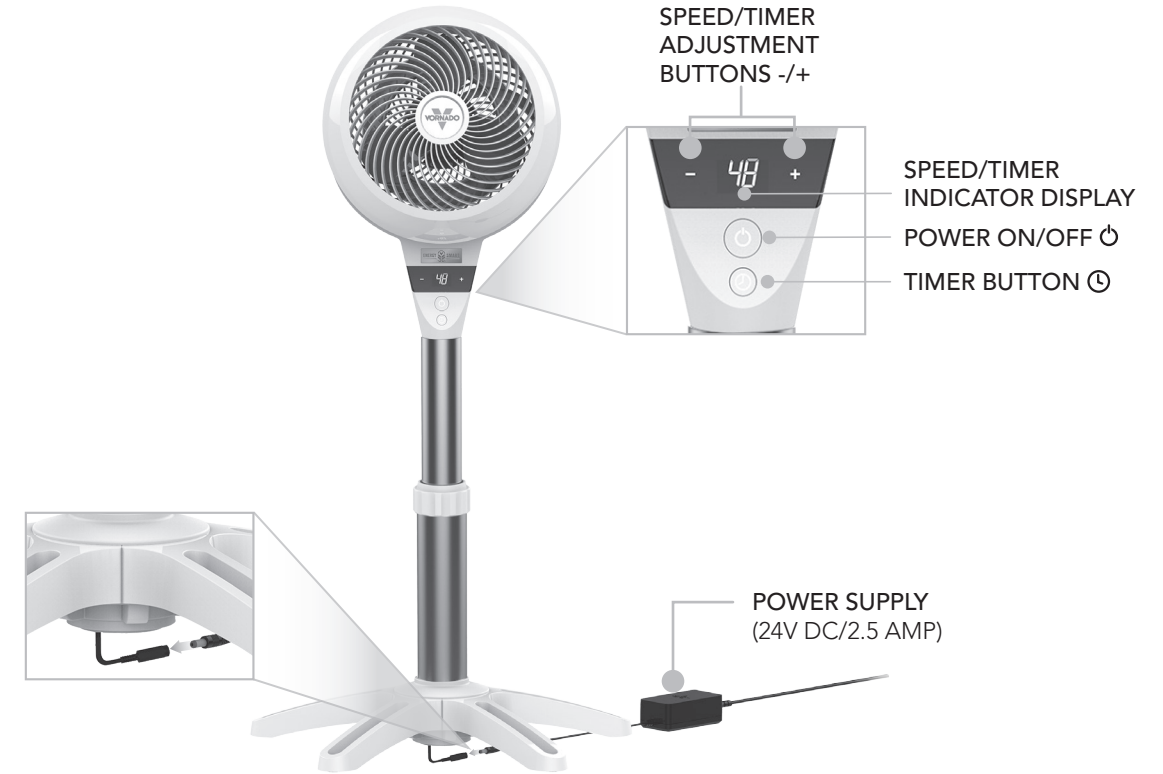
TIMER BUTTON ⌚  
POWER ON/OFF ⏻

SPEED/TIMER  
INDICATOR DISPLAY

SPEED/TIMER  
ADJUSTMENT BUTTONS -/+


# CONTROLS

Model 6803DC Only






# HOW TO USE

1. Touch  to power on.

 **Tip** Your circulator returns to last saved memory setting.

2. Select desired speed by pressing **-/+**. Press and hold **-/+** to adjust speed up or down in 5 speed increments. Speed is indicated by number shown on Speed/Timer Indicator Display.

3. Press  to activate timer. The  illuminates and Speed/Timer Indicator Display flashes **0** to indicate Timer Adjustment Mode. While in this mode, select amount of time in one-hour intervals by pressing **-/+**. After three seconds, flashing stops and display shows hours to indicate timer is set. The display returns to the last speed selected. Touch  to quickly tell how many hours are remaining on the timer.



4. To adjust timer, repeat Step Three.

5. To cancel timer, repeat Step Three and set timer for **0**.

## CORD MANAGEMENT

1. Wrap cord around Air Accelerator, located on back of unit. Secure cord with three clips located at 2, 6 and 10 o'clock positions.

# REMOTE CONTROL

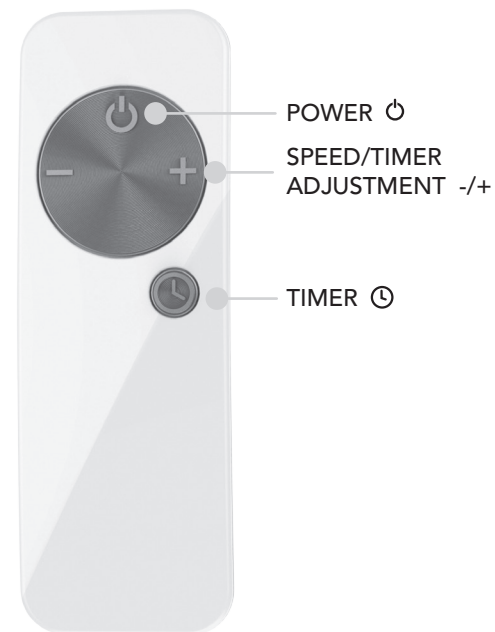
Screwdriver required. 

Your circulator remote includes (1) coin style 3V CR2032 battery. Battery comes pre-installed. Remove battery pull tab before first use.

1. For battery replacement, the remote requires one coin style 3V CR2032 battery. Always use the correct size and grade of battery for this product.

2. To replace battery, open battery door on the back side of the remote control (you will need to loosen the small screw on door using a #1 Phillips screwdriver). If necessary, clean the battery contacts and also those of the device prior to battery installation. Remove any plastic protection from the battery and place it in the remote with the + side facing out. Ensure the battery is installed correctly with regard to polarity. Replace the battery door and screw.

**Note:** Remove battery from the remote control when not in use for an extended period of time and always remove dead battery immediately and replace with fresh. Do not store dead battery in remote.



The remote control functions are the same as the control panel on the circulator.

The remote requires a line-of-sight path to allow for the signal to be received by the circulator. Point the remote control at the display panel for best reception.

# GRILL & BLADE REMOVAL

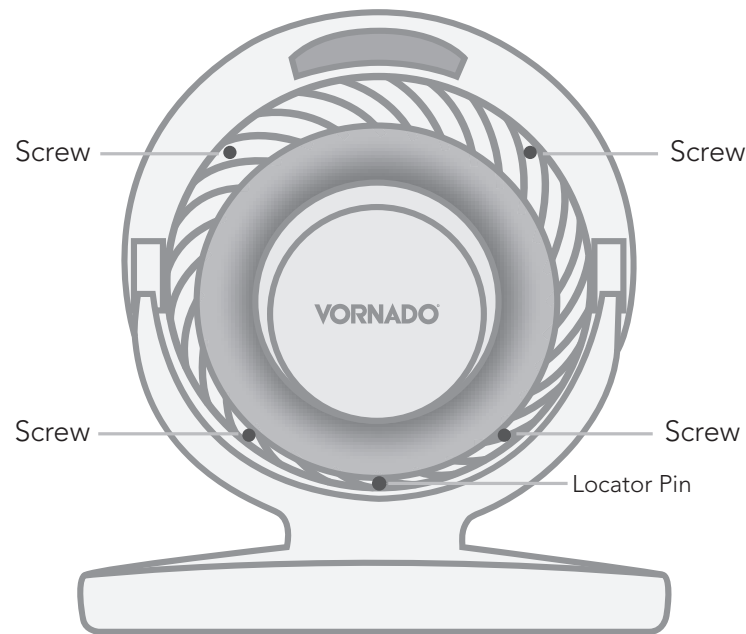
**WARNING:** To reduce the risk of electrical shock and injury to persons, unplug the circulator before removing blade.

## REMOVABLE GRILL

1. Using a phillips head screwdriver, remove grill by unscrewing the 4 screws located along the perimeter of the inlet grill at roughly 2, 5, 7, and 10 o'clock positions. This will release the grill. To reattach, position grill so the logo in the center of the grill is straight. Align the Locator Pin to reconnect grill. Once aligned replace screws.
2. Dust or wash with a mild dishwashing soap. Do not place grill in the dishwasher. The excessive heat can distort the plastic.

## BLADE REMOVAL

1. It is possible to remove the blade should something accidentally get wrapped around the motor shaft. First, remove the nut from the shaft. Turn the nut **clockwise** to loosen. Pull the blade straight out from the shaft. When replacing, the blade can only go on the shaft one way. Be certain the flat side of the shaft aligns directly with the corresponding flat side on the blade's socket. Push the blade all the way on the shaft until it bottoms out. Do not use a hammer as this could result in bearing damage. Reinstall nut.
2. Wipe blade with a damp cloth. If your Air Circulator is used in a greasy environment, such as a kitchen, mild soap or a common household cleaner may be necessary. Do not use solvents.



# CLEANING

Because your product moves a substantial amount of air, it will need regular cleaning to remove lint, dust and grime. Never clean the product in any manner other than instructed in this owner's guide.

## WARNING

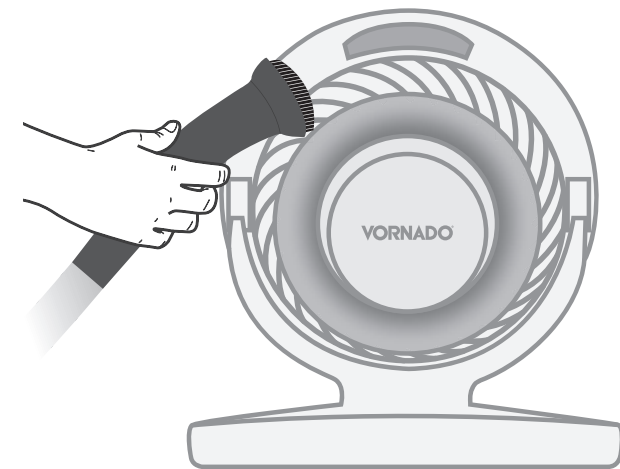
**Observe the following safety information to avoid risks and property damage.**

- **Do** unplug your product before cleaning.
- **Do Not** use gasoline, thinners, solvents, ammonias or other chemicals for cleaning.
- **Do Not** attempt to repair or replace parts.



The motor is permanently lubricated and requires no oiling.

1. Dust or wipe the circulator with a damp cloth.
2. Use the brush attachment on your household vacuum cleaner to vacuum any accumulated dust.



# TROUBLESHOOTING

## PROBLEM

## POSSIBLE CAUSE AND SOLUTION

<p>The unit fails to power on.</p>	<p>Unit is not plugged in. Plug Power Cord into electrical outlet.</p> <p>Ensure unit fan speed setting is selected.</p> <p>Unit is damaged or in need of repair. Cease usage and unplug. Contact Consumer Service for assistance.</p> <p>The outlet is worn or damaged. Try another outlet or contact a qualified electrician.</p>
<p>Airflow is weak or slow.</p>	<p>Unit set to a low speed setting. Adjust to a higher speed setting.</p> <p>Airflow is blocked. Remove obstruction.</p> <p>Adjust direction of airflow toward the user.</p>
<p>GFCI has tripped.</p>	<p>Under certain conditions, it is possible for a reset (Ground Fault Circuit Interrupter) GFCI outlet to trip when the user is changing speeds on a Vornado circulator. In this event, change to an outlet that is not connected to a GFCI device. It could also indicate a weak or defective GFCI outlet. Contact a qualified electrician to check the GFCI outlet.</p>
<p>Remote control is not working.</p>	<p>The battery is dead. Replace with new 3 volt CR2032 battery. (Refer to REMOTE CONTROL.)</p> <p>The remote requires a line-of-sight path to allow for the signal to be received by the unit. Position the unit so the receiver lens (inside the Vornado "V" logo) is visible from the remote control.</p>

# PRODUCT INFORMATION

Model(s):			5303DC-EU	6303DC-EU
Description	Symbol	Unit	Value	Value
Input Voltage		V	220-240	220-240
Mains Voltage Frequency		Hz	50	50
Protection Class		Class	IPX0	IPX0
Dimensions		W x H x D (cm)	18 x 30 x 27	21 x 37 x 31
Weight		Approx. (g)	1,805	2,522
Fan Power Input	P	Watts (W)	31.10	52.51
Maximum Fan Flow Rate	F	m <sup>3</sup> /min	22.68	31.37
Service Value	SV	(m <sup>3</sup> /min)/W	0.73	0.60
Standby Power Consumption	P <sub>SB</sub>	Watts (W)	0.41	0.35
Emitted Sound Level	L <sub>WA</sub>	dB(A)	58	57
Maximum Air Velocity	c	m/sec	3.21	4.62
Measurement Standard For Service Value	IEC 60879: 1986 corr(1992) GB/T 13380-2007			
Contact Details For Obtaining More Information	Vornado Air LLC 415 East 13th Street Andover, KS 67002 USA			





# LIMITED WARRANTY\*

We expect this product to be perfect. If you're not satisfied with this product, let us know.

### \*Limited Warranty and repair terms and conditions

You will receive a voluntary ten-year manufacturer's warranty from date of purchase on materials and workmanship of the product. This extended manufacturer's warranty is valid for all customers in Europe. The legal warranty claims are unaffected by this additional regulation.

The manufacturer assumes no responsibility for damage caused by failure to follow these instructions or improper product use. Any such actions will invalidate the product warranty.

This warranty does not apply to defects resulting from abuse of the Product, modification, alteration, repair or service of the Product by anyone other than Vornado or an Authorized Service Center, mishandling, improper maintenance, commercial use of the Product, damages which occur in shipment or are attributed to acts of God.

Any unauthorized product modification, repair by unauthorized repair center, or use of non-approved replacement parts is not recommended and any consequences will not be covered by support services or product warranties.

Exclusions are damages through inappropriate use or use of the product not according to the manual. For example, but not limited to: If the product

is exposed to wetness, extreme temperatures, environmental conditions, corrosion, oxidation, if liquids are spilled over the device, if chemical substances impact the product or through other incidents that are not within the reasonable range of influence of the manufacturer.

Prerequisite for processing in the service department is the submission of a receipt or an invoice.

All technical information, data and instructions for the installation, connection and operation contained in these instructions for use correspond to the latest available information at time of printing.

The contents of this manual may differ slightly from the actual product. Observe any additional supplements.

All company names and product names are trademarks of their respective owners. © All rights reserved.

Refer to back cover of owner's guide for the Importer Information and your Authorized Service Center.

# INHALTE

Wichtige Hinweise .....	18	Entfernen Des Gitters Und Des Rotors .....	28
Erste Schritte .....	21	Reinigung .....	29
Funktionen .....	23	Fehlerbehebung.....	30
Steuerung.....	24	Produktinformation .....	31
Gebrauchshinweise .....	26	Garantie .....	32
Fernsteuerung.....	27		



Designed and engineered in USA.

© 2017 Vornado Air LLC Andover, KS 67002 U.S. Patent pending. Specifications subject to change without notice. Vornado® is a trademark owned by Vornado Air LLC.

# WICHTIGE HINWEISE

## LESEN SIE VOR DER INBETRIEBNAHME

### ALLE ANWEISUNGEN.

Diese Gebrauchsanleitung und alle weiteren Ergänzungen werden als Teil des Produkts erachtet. Sie enthalten wichtige Hinweise zur Sicherheit, Verwendung und Entsorgung. Bitte machen Sie sich vor der Verwendung des Produkts mit allen Betriebs- und Sicherheitshinweisen vertraut. Bitte bewahren Sie alle Dokumente für die Zukunft auf und reichen Sie diese zusammen mit dem Produkt an etwaige zukünftige Besitzer weiter. Die aktuellste Version unserer Bedienungsanleitung finden Sie auf unserer Website.

Die folgenden Warnhinweise werden in dieser Betriebsanleitung wiederholt verwendet:

#### ACHTUNG

**Eine Gefahrenquelle mit HOHEM Risiko, die bei Missachtung zum Tod oder zu schweren Verletzungen führen kann. Bitte schenken Sie diesen Anweisungen besondere Aufmerksamkeit, um diese gefährlichen Risiken zu vermeiden.**

#### WARNUNG

**Eine Gefahrenquelle mit MITTELGROSSEM Risiko, die bei Missachtung zum Tod, zu schweren Verletzungen, zu leichten oder mittelschweren Verletzungen und zu möglichen Sachschäden führen kann.**

#### WICHTIGE HINWEISE

Hinweise mit zusätzlichen Informationen zur Nutzung und Wartung des Gerätes.

**VERWENDUNGSZWECK:** Dieses Produkt zirkuliert die Luft in Wohnräumen. Es ist nicht für gewerbliche oder industrielle Zwecke bestimmt.

Der Hersteller übernimmt keine Verantwortung für Schäden, die durch Nichtbeachtung dieser Anleitung oder unsachgemäße Anwendung verursacht wurden. Im Falle derartiger Handlungen erlischt die Produktgarantie.

**WARNUNG** – Bei der Verwendung elektrischer Geräte sollten stets grundlegende Vorsichtsmaßnahmen getroffen werden, um das Risiko von Feuer, Stromschlägen und Verletzungen zu reduzieren, einschließlich der folgenden:

#### WARNUNG

**Gefahr durch unsachgemäße Verwendung und Handhabung. Bitte befolgen Sie diese Richtlinien, um Risiken für Personen und Gegenstände zu vermeiden.**

- Verwenden Sie dieses Produkt nicht im Freien oder in Bereichen, wo es der Witterung ausgesetzt ist.
- Verwenden Sie dieses Gerät nicht in feucht-tropischen Klimazonen. Wenn das Produkt aus der Kälte in einen warmen Raum gebracht wird (z. B. beim Transport), kann sich Kondenswasser im Gerät ansammeln. Warten Sie mit der Verwendung, bis das Gerät die Raumtemperatur erreicht hat.
- Verwenden Sie dieses Produkt nicht auf nassen Oberflächen. Verwenden Sie dieses Produkt nicht in der Badewanne, in der Dusche oder an Orten, wo es in eine Badewanne, ein Waschbecken, ein Schwimmbad oder in andere Wasserbehälter fallen kann.
- Tauchen Sie das Gerät nicht in Wasser ein und lassen Sie kein Wasser in das Motorgehäuse tropfen.

- Verwenden Sie das Gerät nicht in der Nähe von Öfen, Kaminen oder anderen Hochtemperatur-Wärmequellen.
- Stellen Sie das Gerät nicht zu nah an Vorhängen auf, da diese in das hintere Gitter gezogen werden, den Luftstrom unterbrechen und den Motor beschädigen können.
- Tragen Sie das Gerät nicht an der Schnur und verwenden Sie das Kabel nicht als Griff, da dies die Elektronik im Gehäuseinneren beschädigen kann. Ziehen Sie das Gerät nicht am Kabel aus der Steckdose und belasten Sie das Kabel nicht. Ziehen Sie das Gerät am Stecker aus der Dose, nicht am Netzkabel.
- Verlegen Sie keine Netzkabel unter Teppichböden. Bedecken Sie Kabel nicht mit Teppichen, Läufern oder ähnlichen Abdeckungen. Verlegen Sie keine Netzkabel unter Möbeln oder Geräten. Verlegen Sie das Netzkabel fernab von Verkehrsflächen, um Stolperunfälle zu vermeiden. Rollen Sie das Netzkabel auf, um eine Stolpergefahr zu vermeiden.

**STROMANSCHLUSS:** Schließen Sie das Gerät nur an einer korrekt installierten Netzsteckdose mit 230V~50Hz an.

#### ACHTUNG

**Gefahr von elektrischen Schlägen. Das Berühren von stromführenden Drähten oder Bauteilen kann tödlich sein!**

- Berühren Sie das Gerät nicht mit nassen oder feuchten Händen.
- Verwenden das Gerät nicht mit beschädigten Kabeln oder Steckern, nach Störungen oder wenn das Gerät heruntergefallen ist oder in irgendeiner Weise beschädigt wurde. Entsorgen Sie das Gerät oder geben Sie es bei einer autorisierten Servicestelle zur Prüfung und/oder Reparatur ab, um Unfällen vorzubeugen.
- Wenn das Netzkabel beschädigt ist, muss es vom Hersteller, dem Kundendienst oder einer ähnlich qualifizierten Person ausgetauscht werden, um Gefahren zu vermeiden.

- Ziehen Sie nicht am Stromkabel und belasten Sie es nicht.
- Stecken Sie keine Fremdkörper in Belüftungs- oder Auslassöffnungen, da dies einen elektrischen Schlag oder Brand verursachen kann und das Gerät beschädigt.
- Schalten Sie das Gerät vollständig aus, bevor Sie den Netzstecker ziehen. Ziehen Sie das Gerät aus der Steckdose, wenn es über längere Zeit nicht in Gebrauch ist.
- Öffnen Sie nicht das Gehäuse. Um das Risiko eines Stromschlags zu vermeiden müssen alle Service- und Reparaturarbeiten von einem autorisierten Vornado-Servicecenter durchgeführt werden. Es dürfen nur Original-Ersatzteile verwendet werden.
- Aus Sicherheitsgründen sollten Sie bei einem Gewitter immer den Netzstecker ziehen.

#### WARNUNG

**Gefahr durch unsachgemäße Montage. Bitte befolgen Sie diese Richtlinien, um Risiken für Personen und Gegenstände zu vermeiden.**

- Achten Sie darauf, dass die Wandsteckdose leicht zugänglich ist, um das Gerät im Notfall schnell vom Strom trennen zu können.
- Um die Gefahr eines Brands oder elektrischen Schlages zu verringern, verwenden Sie dieses Produkt nicht mit einem Solid-State-Steuergerät zur Geschwindigkeitsregelung.
- Um die Gefahr von Bränden oder elektrischen Schlägen und Verletzungen zu verringern, betreiben Sie das Gerät nicht in einem Fenster.

#### WARNUNG

**Gefahren für Kinder und andere Risikogruppen.**

- Dieses Gerät kann von Kindern ab 8 Jahren und von Personen

mit eingeschränkten physischen, sensorischen oder geistigen Fähigkeiten oder bei mangelnder Erfahrung und Wissen verwendet werden, wenn diese dabei beaufsichtigt werden oder ausführliche Anweisungen zur Benutzung des Geräts erhalten haben und sich der Gefahren bewusst sind.

- Kinder dürfen nicht mit dem Gerät spielen.
- Das Gerät darf nicht von unbeaufsichtigten Kindern gewartet oder gereinigt werden.
- Das Gerät und die Verpackungsmaterialien sind kein Spielzeug und sollten außerhalb der Reichweite von Kindern aufbewahrt werden.

### Informationen über die EG-Konformitätserklärung

Dieses Produkt erfüllt alle relevanten und erforderlichen EG-Richtlinien, einschließlich:

- Low Voltage Directive (LVD)
- Niederspannungsrichtlinie (LVD) - Richtlinie für elektromagnetische Verträglichkeit (EMV) - Energieproduktrichtlinie (ErP)
- RoHS-Richtlinie (Verbot von gefährlichen Stoffen)
- REACH-Richtlinie (Registrierung, Bewertung, Zulassung und Beschränkung von Chemikalien)

**Die vollständige Konformitätserklärung wurde eingereicht und kann über den Importeur bezogen werden.**



**VERPACKUNGSRECYCLING:** Die Verpackung schützt das Gerät vor Transportschäden. Die Verpackungsmaterialien wurden im Hinblick auf ihre Umweltfreundlichkeit und komfortable Entsorgung ausgewählt und sind daher recycelbar

- Entsorgen Sie alle Verpackungsmaterialien auf umweltverträgliche Weise.



### WEEE-Recycling

- **Entsorgung von elektrischen und elektronischen Bauteilen und Geräten:** Diese Kennzeichnung gibt an, dass das Produkt in der EU nicht zusammen mit dem normalen Haushaltsmüll entsorgt werden darf. Um mögliche Schäden für die Umwelt oder die menschliche Gesundheit durch unkontrollierte Müllbeseitigung zu vermeiden, recyceln Sie das Gerät ordnungsgemäß und unterstützen Sie die nachhaltige Wiederverwertung von Ressourcen. Um Ihr Altgerät zurückzugeben nutzen Sie bitte die Rückgabe- und Sammelsysteme oder kontaktieren Sie den Händler, bei dem das Produkt gekauft wurde. Dieser kann das Produkt auf umweltfreundliche Weise recyceln.



### Recyceln von Batterien

- **ENTSORGUNG VON BATTERIEN** - Batterien müssen von dem Produkt getrennt entsorgt werden und dürfen nicht in den Hausmüll gelangen. Entsorgen Sie alle Batterien in einem zugelassenen Entsorgungszentrum oder einer lokalen Mülldeponie. Beachten Sie die aktuell geltenden Vorschriften. Im Zweifelsfall wenden Sie sich bitte an Ihre zuständige Entsorgungsstelle.
- Jeder Kunde ist rechtlich dazu verpflichtet, sämtliche Batterien und Akkus bei einem Sammelpunkt oder Händler zur umweltfreundlichen Entsorgung abzugeben, unabhängig davon, ob diese schädliche Substanzen\* erhalten oder nicht.

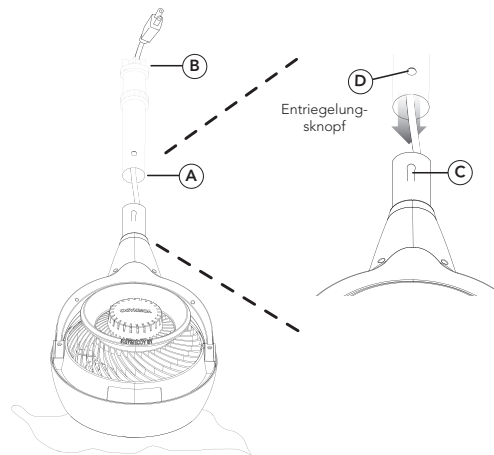
\*Identifikation Cd = Cadmium; Hg = Quecksilber; Pb = Blei

# ERSTE SCHRITTE

## Montage des Zirkulorkopfes (nur Modell 6803DC)

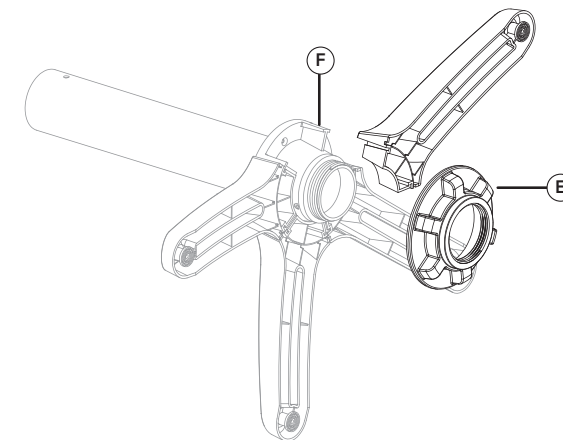
*Kein Werkzeug erforderlich.*

1. Legen Sie den Zirkulator mit dem Kopfteil nach unten vorsichtig auf eine weiche Oberfläche, um Kratzer und Beschädigungen zu vermeiden. Stecken Sie das Netzkabel in die Oberseite der Stange (A) und ziehen Sie es durch bis zur Unterseite (B). Richten Sie den Entriegelungsknopf (C) am Zirkulorkopf an dem Loch (D) an der Stange aus. Drücken Sie die Stange in das Kopfteil des Zirkulators, bis der Entriegelungsknopf einrastet.



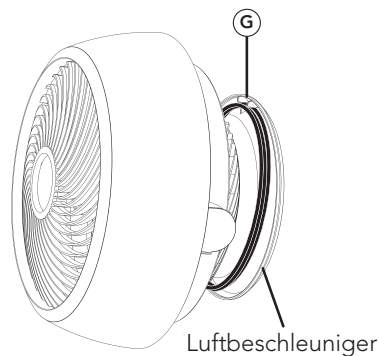
## Ständermontage (Model 6803DC Only)

1. Die obere und untere Stange sind mit einer Befestigungsmutter (E) an der Unterseite des Fußes befestigt. Drehen Sie die Befestigungsmutter gegen den Uhrzeigersinn, um sie zu entfernen.
2. Die Beine sind so designed, dass sie in die Nuten (F) an der Unterseite des Fußes passen. Montieren Sie alle Beine an der Stange und befestigen Sie dann die Befestigungsmutter wieder durch Drehen im Uhrzeigersinn, um alle Füße zu fixieren.



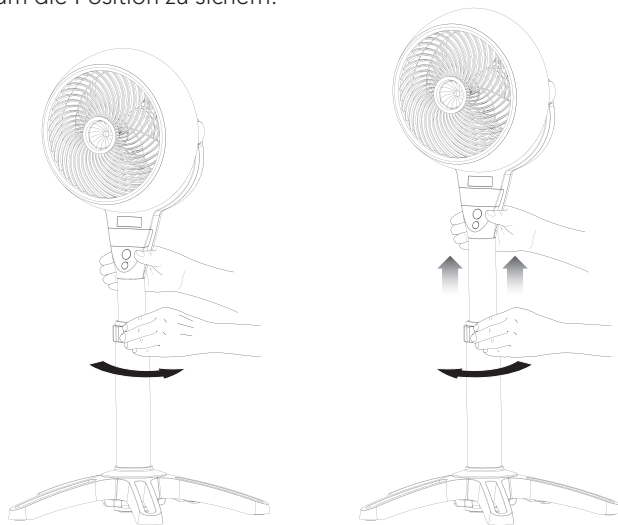
## Kabelmanagement

1. Wickeln Sie das Kabel um den Luftbeschleuniger auf der Rückseite des Geräts. Sichern Sie das Kabel mit drei Clips (G) auf den Positionen 2, 6 und 10 Uhr.



## Höhenanpassung (nur Modell 6803DC)

1. Um die Höhe des Luftzirkulators anzupassen, halten Sie den Zirkulator mit einer Hand fest. Lockern Sie mit der anderen Hand den Einstellring durch leichtes Drehen gegen den Uhrzeigersinn.
2. Heben oder senken Sie die Stange vorsichtig auf die gewünschte Höhe und ziehen Sie den Einstellring im Uhrzeigersinn fest an, um die Position zu sichern.



# FUNKTIONEN

## AUSRICHTBARER LUFTFLUSS

Richten Sie den Luftfluss in eine beliebige Richtung.

## ENERGIESPAR-ZEITSCHALTER

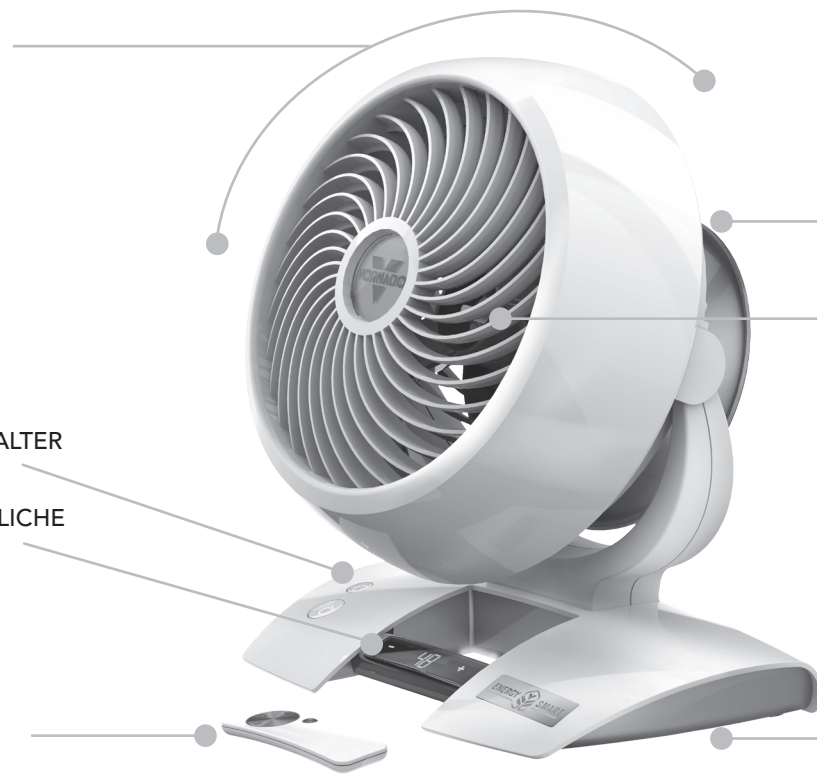
Timer 1–12 Stunden.

## BERÜHRUNGSEMPFINDLICHE BEDIENELEMENTE (99 GESCHWINDIGKEITEN)

Geschwindigkeiten für individuellen Komfort.

## FERNSTEUERUNG

Praktische Bedienung aus der Ferne.



**KABELMANAGEMENT**  
Integrierte  
Kabelaufwicklung.

**FINGERFREUNDLICHES DESIGN**  
Hält neugierige  
Finger fern.

**SILIKONFÜSSE**  
Abriebfreie Füße für  
bestmögliche Stabilität.

# STEUERUNG

Modell 5303DC, nur 6303DC



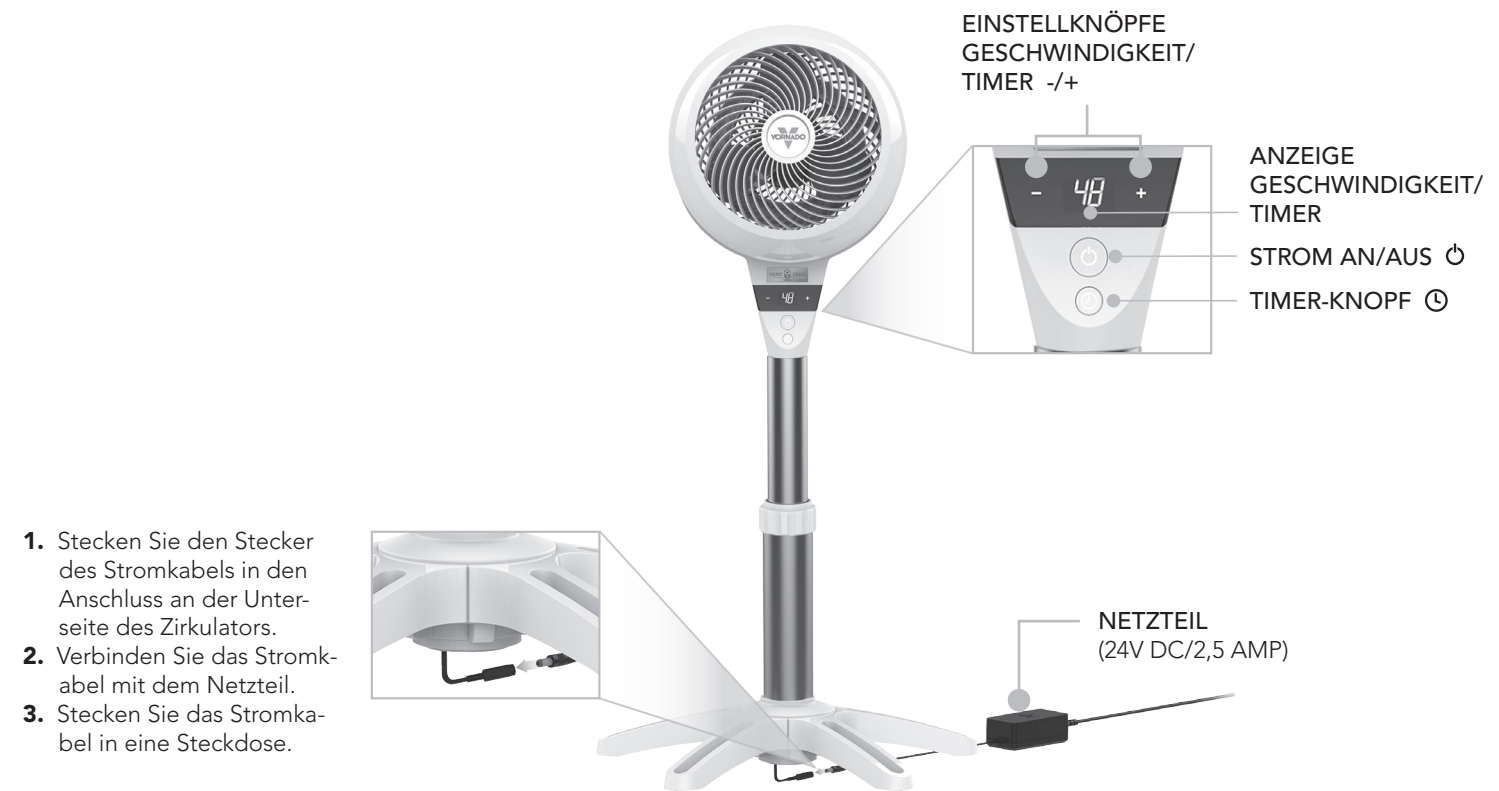
TIMER-KNOPF ⏰  
STROM AN/AUS ⏻

ANZEIGE  
GESCHWINDIGKEIT/  
TIMER

EINSTELLKNÖPFE  
GESCHWINDIGKEIT/TIMER -/+


# STEUERUNG

nur Modell 6803DC






# GEBRAUCHSHINWEISE

1. Schalten Sie das Gerät ein 

 Ihr Zirkulator übernimmt die zuletzt gewählte Einstellung.

2. Drücken Sie **-/+**, um die gewünschte Geschwindigkeit auszuwählen. Drücken Sie **-/+** und halten Sie die Taste gedrückt, um die Geschwindigkeit in 5er-Schritten zu regulieren. Die Geschwindigkeit wird auf der Anzeige durch eine Zahl angezeigt.

3. Drücken  zum Aktivieren des Timers.  Leuchten und Anzeige für Geschwindigkeit/Timer blinken „0“, um den Einstellmodus für den Timer anzuzeigen. In diesem Modus können Sie die gewünschte Zeit in Schritten von einer Stunde durch Drücken von **-/+** auswählen. Nach drei Sekunden hört die Anzeige auf zu blinken und bestätigt mit der Anzeige der Stunden die Einstellung des Timers. Die Anzeige zeigt dann wieder die eingestellte Geschwindigkeit an. Drücken,  um abzulesen, wie viele Stunden der Timer noch läuft.



4. Wiederholen Sie zum Einstellen des Timers Schritt drei.
5. Um den Timer abubrechen wiederholen Sie Schritt drei und stellen Sie den Timer auf **0**.

## KABELMANAGEMENT

1. Wickeln Sie das Kabel um den Luftbeschleuniger auf der Rückseite des Geräts. Sichern Sie das Kabel mit drei Clips auf den Positionen 2, 6 und 10 Uhr.

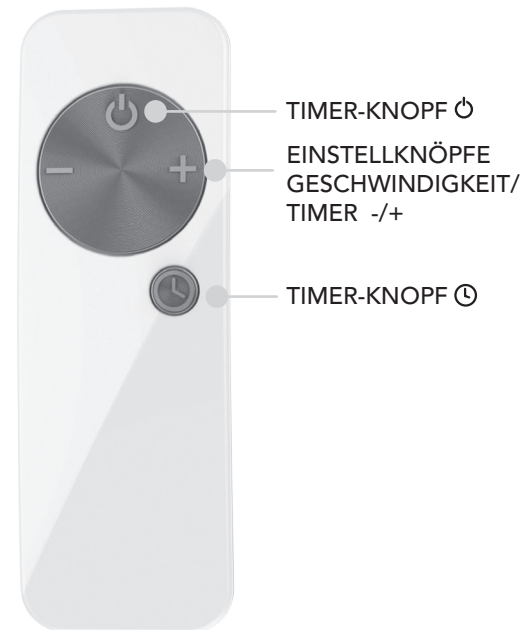
# FERNSTEUERUNG

Schraubenzieher erforderlich. 

Die Fernbedienung Ihres Zirkulators enthält eine Knopfzelle (3V CR2032). Diese Batterie ist bereits eingelegt. Entfernen Sie vor der ersten Anwendung die Batterielasche.

1. Für den Austausch der Batterie benötigen Sie eine Knopfzelle 3V CR2032. Verwenden Sie für dieses Produkt immer die korrekte Größe und Art von Batterie.
2. Öffnen Sie zum Austauschen der Batterie das Fach auf der Rückseite der Fernsteuerung. Sie benötigen einen Kreuzschlitzschraubendreher, um die kleine Schraube am Fach zu entfernen. Reinigen Sie bei Bedarf auch die Batteriekontakte im Gerät vor dem Einsetzen der neuen Batterie. Entfernen Sie den Kunststoffschutz von der Batterie und legen Sie sie in die Fernbedienung mit der + Seite nach außen ein. Achten Sie dabei auf die richtige Polarität. Schließen Sie das Fach und schrauben Sie es wieder zu.

**Hinweis:** Entfernen Sie die Batterie aus der Fernbedienung, falls Sie diese über eine längere Zeit nicht verwenden. Entfernen Sie außerdem leere Batterien immer sofort und ersetzen Sie diese. Bewahren Sie keine leere Batterie in der Fernbedienung auf.



Die Funktionen der Fernbedienung sind mit den Bedienelementen am Zirkulator identisch.

Für die Verwendung der Fernbedienung ist eine gerade Sichtlinie zum Zirkulator erforderlich. Die Funktionen der Fernsteuerung sind identisch mit denen am Gerät.

# ENTFERNEN DES GITTERS UND DES ROTORS

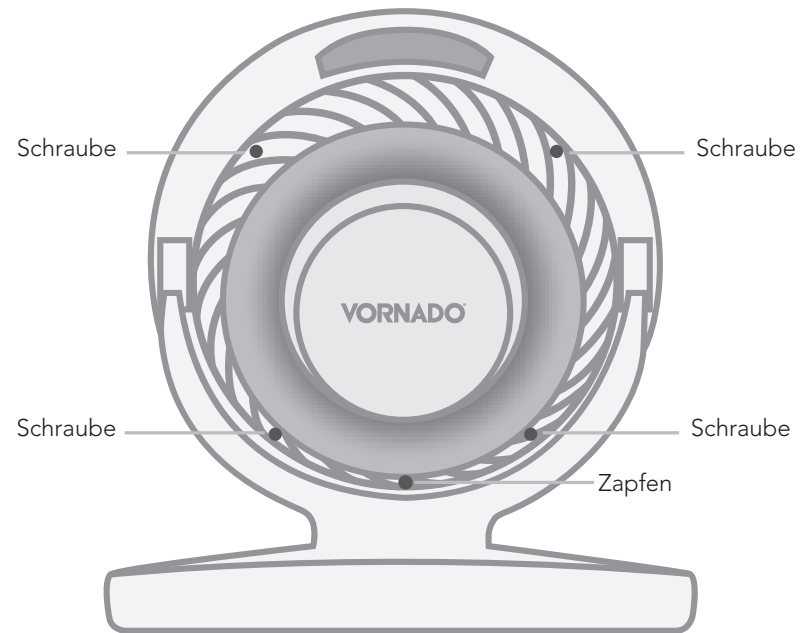
**WARNUNG:** Um das Risiko von Stromschlag und Personenschäden zu vermeiden, trennen Sie das Gerät vor jeder Reinigung vom Strom.

## ABNEHMBARES GITTER

1. Entfernen Sie das Gitter, indem Sie die 4 Schrauben Einlassgitter etwa auf den Positionen 2, 5, 7 und 10 Uhr mit einem Kreuzschlitzschraubenzieher lösen. Auf diese Weise entfernen Sie das Gitter. Um es erneut zu befestigen positionieren Sie das Gitter so, dass das Logo in der Mitte gerade ist. Richten Sie den Zapfen aus und befestigen Sie das Gitter. Ziehen Sie dann die Schrauben wieder fest.
2. Entfernen Sie Staub und verwenden Sie ein sanftes Spülmittel für die Reinigung. Reinigen Sie das Gitter nicht in einer Spülmaschine. Die große Hitze kann den Kunststoff verzerren.

## ENTFERNEN DES ROTORS

1. Bei Bedarf kann der Rotor entfernt werden. Dies kann erforderlich sein, falls sich versehentlich etwas um die Motorwelle gewickelt hat. Entfernen Sie zunächst die Mutter vom Schaft. Drehen Sie die Mutter im Uhrzeigersinn, um sie zu lösen. Ziehen Sie den Rotor gerade aus dem Schaft. Beim Austausch kann der Rotor nur in eine Richtung auf den Schaft gesetzt werden. Vergewissern Sie sich, dass die flache Seite des Schafts unmittelbar mit der entsprechenden flachen Seite des Rotors übereinstimmt. Schieben Sie den Rotor vollständig bis zum Anschlag auf den Schaft. Verwenden Sie keinen Hammer, da dies zu Lagerschäden führen kann. Befestigen Sie die Mutter wieder.
2. Wischen Sie den Rotor mit einem feuchten Tuch ab. Wenn Ihr Luftzirkulator in einer fettigen Umgebung wie beispielsweise einer Küche verwendet wird, ist möglicherweise die Verwendung einer milden Seife oder eines Haushaltsreinigers erforderlich. Verwenden Sie keine Lösungsmittel.



# REINIGUNG

Da Ihr Heizlüfter eine erhebliche Menge Luft bewegt, ist regelmäßige Reinigung erforderlich, um Staub und Schmutz zu entfernen. Reinigen Sie den Luftzirkulator niemals auf irgendeine andere Art als in dieser Anleitung beschrieben.

## ⚠️ WARNUNG

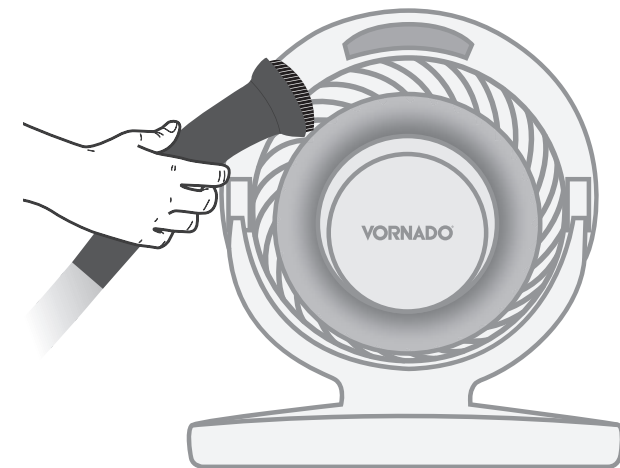
**Beachten Sie die folgenden Sicherheitshinweise, um Gefahren und Sachschäden zu vermeiden.**

- Trennen Sie Ihr Gerät vor der Reinigung vom Strom.
- Verwenden Sie kein Benzin, Verdünner, Lösungsmittel, Ammoniak oder andere Chemikalien zur Reinigung.
- Versuchen Sie nicht, Teile zu reparieren oder austauschen.



Der Motor ist dauergeschmiert und erfordert keine Schmierung.

1. Wischen Sie den Zirkulator mit einem feuchten Tuch ab.
2. Verwenden Sie den Bürstenaufsatz Ihres Staubsaugers, um den angesammelten Staub zu entfernen.



# FEHLERBEHEBUNG

## PROBLEM

## MÖGLICHE URSACHE UND LÖSUNG

<p>Gerät lässt sich nicht einschalten.</p>	<p>Gerät ist nicht eingesteckt. Stecker in die Steckdose stecken.</p> <p>Vergewissern Sie sich, dass die Ventilator Drehzahl korrekt eingestellt ist.</p> <p>Gerät ist beschädigt oder muss repariert werden. Nicht mehr benutzen und Stecker ziehen. Setzen Sie sich mit dem Kundendienst in Verbindung.</p> <p>Steckdose ist abgenutzt oder beschädigt. Probieren Sie eine andere Steckdose oder wenden Sie sich an einen qualifizierten Elektriker.</p>
<p>Luftstrom ist schwach oder langsam.</p>	<p>Gerät ist auf eine niedrige Geschwindigkeit eingestellt. Stellen Sie eine höhere Geschwindigkeit ein.</p> <p>Der Luftstrom wird blockiert. Hindernis entfernen.</p> <p>Passen den Luftstroms in Richtung des Benutzers an.</p>
<p>Der FI-Schutzschalter wurde ausgelöst.</p>	<p>Unter bestimmten Bedingungen kann ein FI-Schutzschalter (Fehlerstromschutzschalter) auslösen, wenn der Benutzer die Geschwindigkeitseinstellung an einem Vornado-Zirkulator ändert. Verwenden Sie in diesem Fall eine Steckdose, die nicht mit einem FI-Schutzschalter versehen ist. Es könnte sich auch um einen fehlerhaften Schutzschalter handeln. Wenden Sie sich an einen qualifizierten Elektriker, um die Steckdose und den Schutzschalter zu überprüfen.</p>
<p>Fernbedienung funktioniert nicht.</p>	<p>Die Batterie ist leer. Legen Sie eine neue 3 Volt CR2032-Knopfzelle ein. (Beachten Sie den Abschnitt über die FERNSTEUERUNG)</p> <p>Für die Verwendung der Fernbedienung wird eine gerade Sichtlinie zum empfangenden Gerät benötigt. Stellen Sie das Gerät so auf, dass die Linse des Empfängers (oberhalb des V-Logos) von der Fernbedienung aus sichtbar ist.</p>

# PRODUKTINFORMATION

Modell(e):			5303DC-EU	6303DC-EU
Beschreibung	Zeichen	Gerät	Wert	Wert
Eingangsspannung		V	220-240	220-240
Netzspannungsfrequenz		Hz	50	50
Schutzklasse		Class	IPX0	IPX0
Größe		W x H x D (cm)	18 x 30 x 27	21 x 37 x 31
Gewicht		Approx. (g)	1,805	2,522
Lüfterleistung	P	Watts (W)	31.10	52.51
Maximale Lüfterdurchflussrate	F	m <sup>3</sup> /min	22.68	31.37
Gebrauchswert	SV	(m <sup>3</sup> /min)/W	0.73	0.60
Standby-Stromverbrauch	P <sub>SB</sub>	Watts (W)	0.41	0.35
Schallleistungspegel	L <sub>WA</sub>	dB(A)	58	57
Maximale Luftgeschwindigkeit	c	m/sec	3.21	4.62
Maß-Standard für Gebrauchswert	IEC 60879: 1986 corr(1992) GB/T 13380-2007			
Kontakt details, um weitere Informationen zu erhalten	Vornado Air LLC 415 East 13th Street Andover, KS 67002 USA			





# EINGESCHRÄNKTE GARANTIE\*

Wir erwarten, dass dieses Produkt perfekt ist. Sollten Sie nicht zufrieden sein, kontaktieren Sie uns bitte.

## \*Begrenzte Garantie und Reparatur AGB

Sie erhalten eine freiwillige Herstellergarantie von zehn Jahren ab Kaufdatum auf Material und Verarbeitung des Produktes. Dieser erweiterte Herstellergarantie ist gültig für alle Kunden in Europa. Die gesetzlichen Gewährleistungsansprüche werden durch diese zusätzliche Verordnung unberührt.

Der Hersteller übernimmt keine Verantwortung für Schäden, die durch Nichtbeachtung dieser Anleitung oder unsachgemäße Anwendung verursacht wurden. Im Falle derartiger Handlungen erlischt die Produktgarantie.

Diese Garantie gilt nicht für Mängel, die aufgrund von Missbrauch des Produkts, Modifikation, Veränderung, Reparatur oder Wartung des Produkts von jemand anderem als Vornado oder einen autorisierten Fachhändler, oder durch falsche Handhabung, unsachgemäße Wartung oder kommerzielle Nutzung des Produktes entstehen. Schäden, die beim Versand oder infolge höherer Gewalt auftreten, werden ebenfalls nicht abgedeckt.

Unerlaubte Änderungen am Gerät, Reparaturen durch nicht autorisierte Personen und die Verwendung von nicht zugelassenen Ersatzteilen sind nicht empfohlen und werden weder von Supportleistungen noch von Produktgarantien abgedeckt.

Ausgeschlossen sind auch sämtliche Schäden aufgrund von unsachgemäßer

Handhabung oder Verwendung des Produkts entgegen den Hinweisen der Bedienungsanleitung. Beispielsweise, aber nicht darauf beschränkt: Wenn das Produkt Nässe, extremen Temperaturen, Umwelteinflüssen, Korrosion, Oxidation ausgesetzt wird; wenn Flüssigkeiten in das Gerät verschüttet werden; wenn das Gerät chemischen Substanzen ausgesetzt wird; andere Ereignisse, die nicht im Einflussbereich des Herstellers liegen.

Die Voraussetzung für eine Bearbeitung in der Service-Abteilung ist die Vorlage einer Quittung oder Rechnung.

Sämtliche in dieser Gebrauchsanweisung enthaltenen technischen Informationen, Daten und Hinweise für die Installation, den Anschluss und den Betrieb entsprechen den neusten verfügbaren Informationen zum Zeitpunkt der Drucklegung.

Der Inhalt dieses Handbuchs kann geringfügig von dem tatsächlichen Produkt abweichen. Beachten Sie alle Ergänzungen.

Alle Firmennamen und Produktnamen sind Warenzeichen der jeweiligen Eigentümer. © Alle Rechte vorbehalten.

Beziehen sich auf die Cover der Bedienungsanleitung für den Importeur Informationen und Ihren autorisierten Service Center zurück.

# TABLE DES MATIÈRES

Instructions Importantes.....	34	Retrait De La Grille Et Des Pales .....	44
Pour Démarrer .....	37	Nettoyage .....	45
Caractéristiques .....	39	Guide De Dépannage .....	46
Commandes .....	40	Renseignements Sur Le Produit.....	47
Utilisation .....	42	Garantie .....	48
Télécommande.....	43		



Konzipiert und entwickelt in den USA.

© 2017 Vornado Air LLC Andover, KS 67002 U.S. Zum Patent angemeldet. Die Spezifikationen können ohne vorherige Mitteilung geändert werden. Vornado® ist ein eingetragenes Warenzeichen von Vornado Air LLC.

# INSTRUCTIONS IMPORTANTES

## LISEZ ET CONSERVEZ CES INSTRUCTIONS

Le présent guide d'utilisation et tout autre encart sont considérés comme faisant partie du produit. Ils contiennent des informations importantes sur la sécurité, l'utilisation et la mise au rebut du produit. Avant d'utiliser le produit, veuillez vous familiariser avec toutes les instructions relatives à son fonctionnement et à la sécurité. Veuillez conserver tous les documents pour consultation ultérieure et les remettre, avec le produit, au prochain propriétaire. Veuillez consulter notre site Web pour obtenir la version la plus récente de notre guide d'utilisation.

Les messages d'avertissement suivants apparaissent dans le présent guide d'utilisation :



### DANGER

**Indique une situation dangereuse comportant un degré ÉLEVÉ de risque qui, si elle n'est pas évitée, causera la mort ou des blessures graves. Veuillez porter particulièrement attention aux instructions qui visent à éviter ce risque important de danger.**



### AVERTISSEMENT

**Indique une situation dangereuse comportant un degré MOYEN de risque qui, si elle n'est pas évitée, pourrait causer la mort, des blessures graves, des blessures mineures ou modérées ou des dommages matériels potentiels.**



### INSTRUCTIONS IMPORTANTES

Les remarques importantes fournissent des renseignements additionnels qui vous aideront à mieux manipuler l'appareil.

**UTILISATION PRÉVUE :** Ce produit est conçu pour faire circuler l'air uniquement dans les pièces intérieures. Il n'est pas conçu pour une utilisation commerciale ou industrielle.

Le fabricant n'assume aucune responsabilité quant aux dommages survenant à la suite du non-respect de ces instructions ou d'une utilisation inadéquate du produit. Ces actions entraîneront l'annulation de la garantie du produit.

**AVERTISSEMENT –** Lors de l'utilisation d'appareils électriques, il faut toujours suivre des précautions de base afin de réduire le risque d'incendie, de décharge électrique et de blessure, y compris ce qui suit :



### AVERTISSEMENT

**Risques liés à une utilisation et à une manipulation non prévues. Veuillez suivre attentivement les directives suivantes pour éviter de mettre les gens ou les biens en danger.**

- Ne pas utiliser ce produit à l'extérieur et ne pas l'exposer directement aux intempéries.
- Ne pas utiliser cet appareil dans les climats tropicaux humides. Si le produit passe d'un endroit froid à un endroit chaud (par ex., pendant son transport), de la condensation pourrait se former dans l'appareil. Attendre que la température de l'appareil atteigne la température ambiante avant de l'utiliser.
- Ne pas utiliser ce produit sur des surfaces humides ou trempées. Ne pas utiliser ce produit dans une baignoire ou une douche, et ne pas le placer quelque part d'où il pourrait tomber dans une baignoire, une machine à laver, une piscine ou tout autre contenant d'eau.
- Ne pas immerger ce produit dans l'eau et ne pas laisser l'eau dégoutter dans le boîtier du moteur.
- Ne pas utiliser le produit près d'un appareil de chauffage, d'un foyer, d'un four ou d'autres sources de chaleur à température élevée.

- Ne pas placer ce produit trop près des draperies ou d'autres tissus non attachés, car l'appareil pourrait les aspirer par ses ouvertures, ce qui entraverait la circulation d'air et endommagerait le moteur.
- Ne pas se servir du cordon pour transporter ce produit ni utiliser le cordon comme une poignée, sinon le câblage interne risque d'être endommagé. Ne pas débrancher l'appareil en tirant sur le cordon ni tendre excessivement le cordon. Pour débrancher l'appareil, tirer sur la fiche, pas le cordon.
- Ne pas faire passer le cordon sous un tapis. Ne pas recouvrir le cordon d'une carpe, d'un tapis d'escalier ou de corridor, ou d'un revêtement similaire. Ne pas faire passer le cordon sous un meuble ou un appareil électrique. Faire passer le cordon à l'écart des zones passantes, dans un endroit où il ne peut faire trébucher les gens. Pour éviter de faire trébucher les gens, enrouler/ranger le cordon d'alimentation de façon sûre.

**BRANCHEMENT ÉLECTRIQUE :** L'appareil peut être branché uniquement dans une prise électrique 230 V~50 Hz CA adéquate reliée au réseau électrique public.



### DANGER

**Risque de décharge électrique. Tout contact avec des fils ou des composants sous tension peut être fatal!**

- Ne pas toucher le produit avec des mains mouillées ou humides.
- Ne pas faire fonctionner un produit si son cordon ou sa fiche sont endommagés, après une défaillance du produit, ou après que le produit est tombé ou a été endommagé d'une quelconque façon. Jeter le produit ou le retourner à un établissement de réparation autorisé pour le faire examiner et/ou réparer afin d'éviter tout danger.
- Ne pas étirer le cordon ni le tendre excessivement.
- Ne pas insérer de corps étrangers dans les orifices d'entrée ou de sortie, et ne pas laisser de corps étrangers pénétrer ces orifices. Le

non-respect de cette précaution pourrait causer un risque de décharge électrique ou d'incendie, ou endommager le produit.

- Éteindre toutes les commandes avant de débrancher l'appareil. Débrancher l'appareil de la prise quand il ne sert pas pendant de longues périodes.
- Ne pas ouvrir le boîtier de l'appareil. Pour éviter tout risque de décharge électrique, tous les entretiens et toutes les réparations doivent être effectués par un centre de service autorisé de Vornado. Seules les pièces de rechange originales doivent être utilisées.
- Pour assurer la sécurité, toujours débrancher l'appareil en cas d'orage.



### AVERTISSEMENT

**Risques liés à une installation inadéquate. Veuillez suivre attentivement les directives suivantes pour éviter de mettre les gens ou les biens en danger.**

- S'assurer d'utiliser une prise électrique murale accessible pour qu'il soit possible de débrancher facilement l'appareil en cas d'urgence.
- Afin de réduire les risques d'incendie ou de décharge électrique, ne pas utiliser ce produit avec un dispositif externe de régulation de la vitesse à semi-conducteurs.
- Afin de réduire le risque d'incendie, de décharge électrique et de blessures, ne pas utiliser le produit dans une fenêtre.



### AVERTISSEMENT

**Dangers pour les enfants et autres personnes à risque.**

- Cet appareil peut être utilisé par des enfants âgés d'au moins 8 ans et des personnes dont les capacités physiques, sensorielles ou mentales sont réduites, ou qui manquent d'expérience et de connaissances, pourvu que quelqu'un les surveille ou leur explique la façon sûre d'utiliser l'appareil afin qu'ils comprennent les risques potentiels.

- Les enfants ne doivent pas s'amuser avec cet appareil.
- Les enfants ne doivent pas effectuer le nettoyage ni l'entretien de l'appareil, sauf sous supervision.
- Ce produit et son matériel d'emballage ne sont pas des jouets et doivent être gardés hors de la portée des enfants.

#### Renseignements au sujet de la déclaration de conformité de la CE

Ce produit est conforme à toutes les directives pertinentes et nécessaires de la CE, y compris :

- la directive « Basse tension » (DBT);
- la directive sur la compatibilité électromagnétique (CEM);
- la directive sur les produits liés à l'énergie (ErP);
- la directive sur la limitation de l'utilisation de certaines substances dangereuses (RoHS);
- la directive sur l'enregistrement, l'évaluation, l'autorisation et la restriction des produits chimiques (REACH).

**La déclaration de conformité complète est enregistrée et peut être fournie par l'importateur.**



**RECYCLAGE DE L'EMBALLAGE :** L'emballage protège l'appareil contre les dommages durant le transport. Les matériels d'emballage ont été sélectionnés en fonction de leurs propriétés écologiques et des technologies d'élimination. Ils peuvent donc être recyclés.

- Mettez tous les matériels d'emballage au rebut de façon à respecter l'environnement.



#### Recyclage des DEEE

- **Mise au rebut des déchets d'équipements électriques et électroniques :** cette indication signale que, dans l'UE, ce produit ne doit pas être mis au rebut avec les déchets domestiques. Par mesure de prévention pour l'environnement et la santé humaine, il est essentiel de le recycler de façon responsable selon le principe de réutilisation des ressources matérielles. Pour retourner votre appareil usagé, veuillez utiliser les systèmes de collecte et de reprise ou contacter le détaillant qui vous a vendu le produit. Celui-ci peut reprendre le produit afin de le faire recycler d'une façon qui respecte l'environnement



#### Recyclage Des Piles

- **ÉLIMINATION DES PILES -** Les piles doivent être éliminées séparément du produit et ne doivent pas être jetées avec les déchets domestiques. Pour éliminer tous les types de piles, apportez-les à un centre d'élimination approuvé ou aux installations de gestion des déchets de votre région. Respectez les règlements actuellement en vigueur. En cas de doute, contactez votre centre d'élimination des déchets.
- En vertu de la loi, chaque consommateur a l'obligation de rapporter toutes les piles et tous les accumulateurs, qu'ils contiennent une substance dangereuse\* ou non, à un point de collecte établi par la ville ou l'industrie, afin que ces piles et ces accumulateurs puissent être éliminés grâce à une méthode d'élimination écologique.

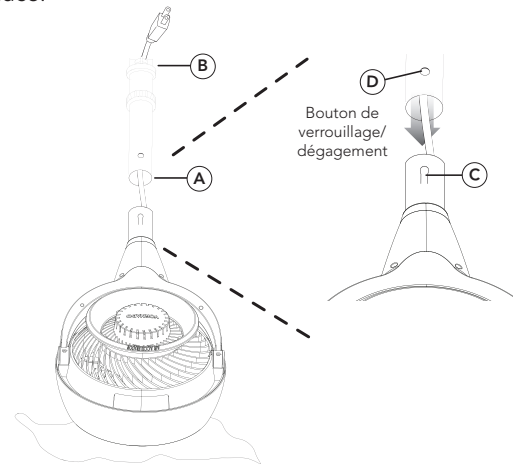
\* Identification : Cd = cadmium; Hg = mercure; Pb = plomb

# POUR DÉMARRER

#### Installation de la tête du ventilateur (modèle 6803DC seulement)

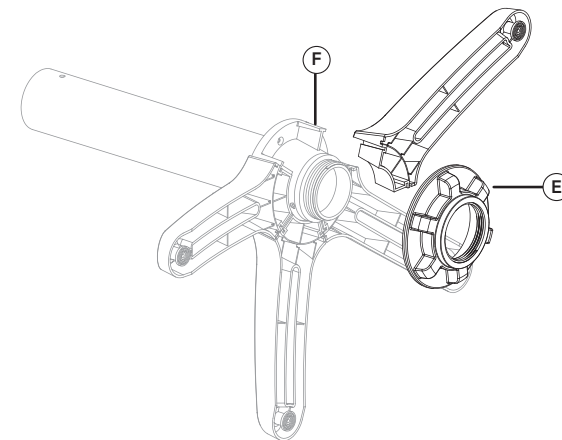
*Aucun outil n'est nécessaire!*

1. Poser doucement le devant de la tête du ventilateur au sol sur un chiffon doux pour éviter d'égratigner ou d'endommager l'appareil. Insérer le cordon d'alimentation dans la partie supérieure du poteau (A), puis le faire sortir par la partie inférieure et le tirer (B). Aligner le bouton de dégagement (C) de la tête du ventilateur et le trou (D) du poteau. Pousser le poteau pour l'insérer dans la tête du ventilateur jusqu'à ce que le bouton de dégagement s'emboîte en place.



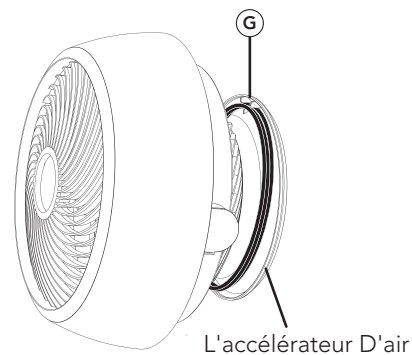
#### Assemblage Du Support (modèle 6803DC seulement)

1. La partie supérieure et la partie inférieure du poteau sont préassemblées; l'écrou de serrage (E) est fixé sur le dessous de la base. Tourner l'écrou de serrage en sens antihoraire pour l'enlever.
2. Les pattes sont conçues pour s'emboîter dans les rainures (F) sous le couvercle de la base. Assembler toutes les pattes sur le poteau, puis remettre l'écrou de serrage en le tournant en sens horaire pour fixer toutes les pattes en place.



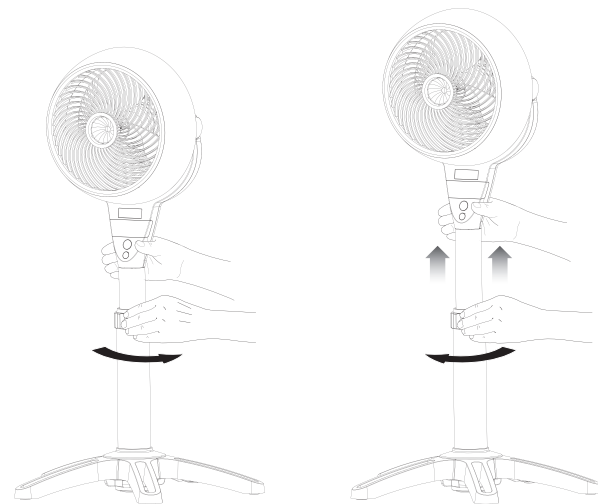
## Gestion Du Cordon

1. Enroulez le cordon autour de l'accélérateur d'air, à l'arrière de l'appareil. Fixez le cordon au moyen des trois pinces (A) situées aux positions correspondant à 2 heures, à 6 heures et à 10 heures sur un cadran.



## Réglage De La Hauteur (6803DC seulement)

1. Avant de régler la hauteur du ventilateur, soutenir la tête du ventilateur d'une main. De l'autre main, desserrer le collier de réglage de hauteur en le tournant doucement en sens antihoraire.
2. Soulever ou abaisser lentement le poteau jusqu'à ce qu'il soit à la bonne hauteur, puis le fixer en place en tournant le collier de réglage de hauteur en sens horaire jusqu'à ce qu'il soit bien serré.



# CARACTÉRISTIQUES

## JET D'AIR ORIENTABLE

Dirigez le jet d'air où vous le désirez.

**MINUTERIE PERMETTANT D'ÉCONOMISER L'ÉNERGIE**  
Minuterie de 1 à 12 heures.

**COMMANDES TACTILES CHOIX DE 99 VITESSES**  
Un réglage de vitesse pour chaque niveau de confort.

**TÉLÉCOMMANDE**  
Modifiez les réglages en toute commodité et avec facilité.



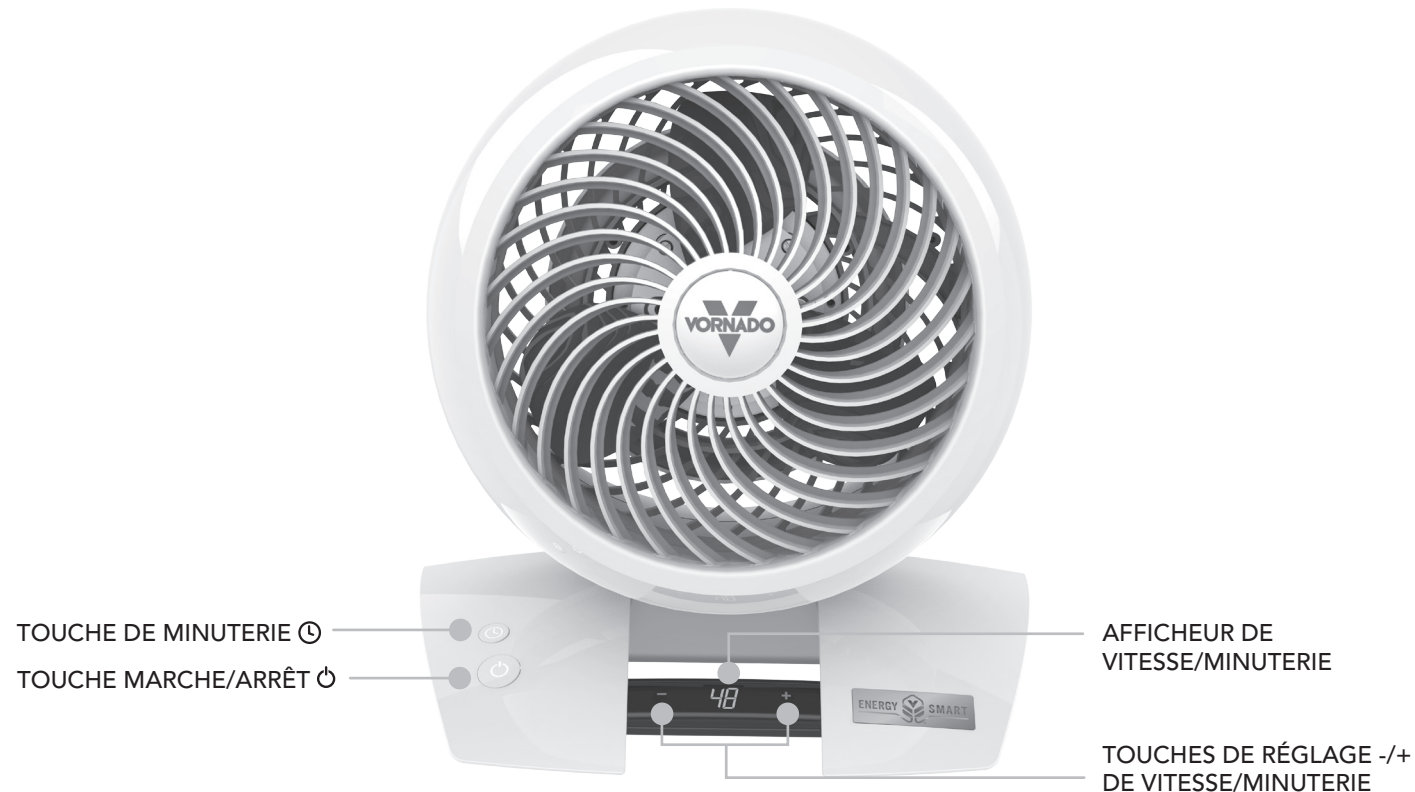
**GESTION DU CORDON**  
Enrouleur de cordon intégré.

**CONCEPTION À L'ÉPREUVE DES PETITS DOIGTS**  
Résiste aux doigts curieux.

**PATTES EN SILICONE**  
Les pattes ne laissent aucune marque et améliorent la stabilité.

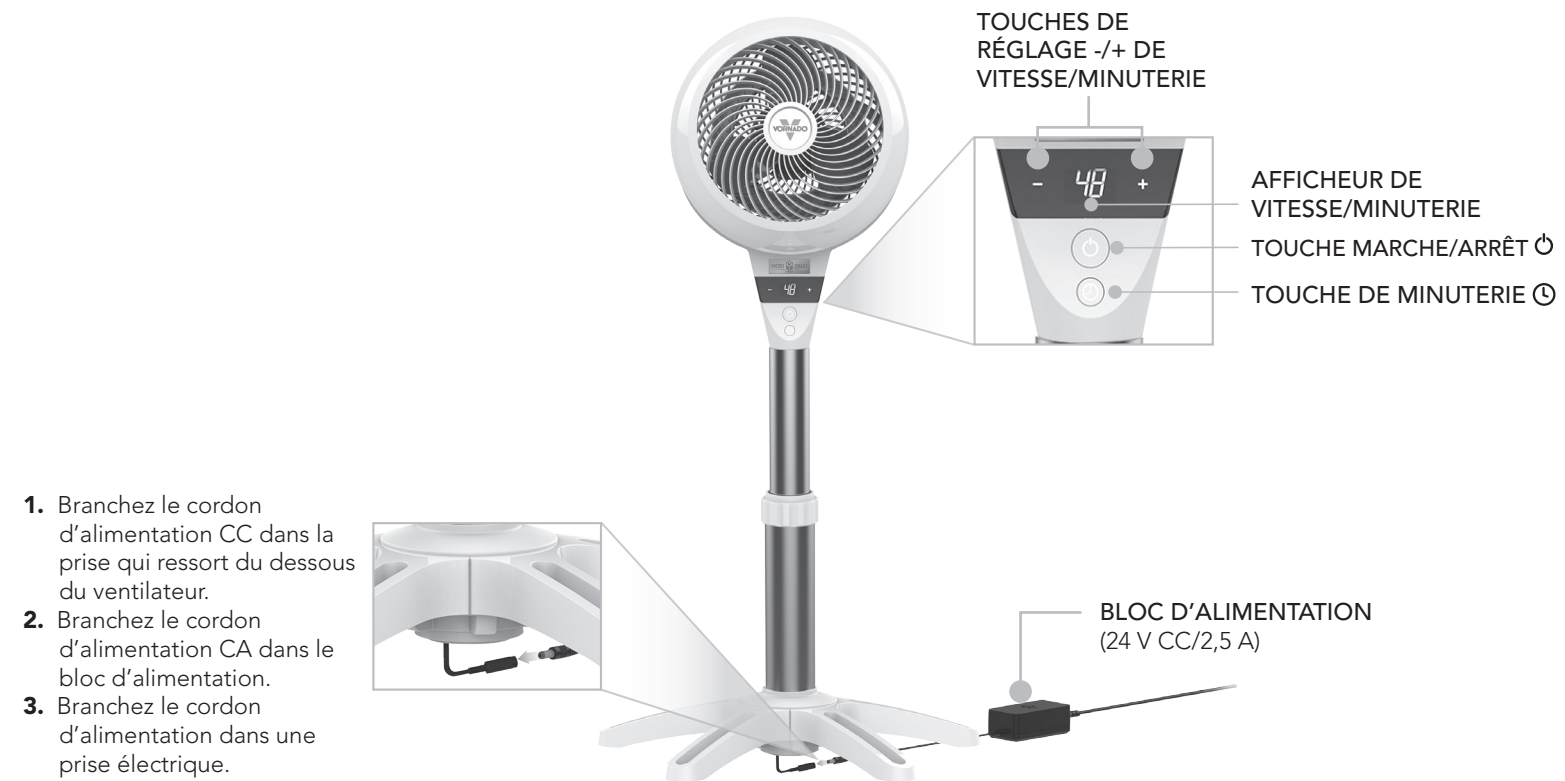
# COMMANDES

Modèle 5303DC, 6303DC Seulement




# COMMANDES

Modèle 6803DC Seulement





# UTILISATION


1. Appuyez sur  pour mettre l'appareil sous tension.

 **Tip** Le ventilateur utilisera le dernier réglage conservé en mémoire.

2. Appuyez sur **-/+** pour choisir la vitesse désirée. Maintenez **-/+** enfoncé pour augmenter ou diminuer la vitesse par intervalles de 5. Le nombre qui apparaît à l'afficheur de vitesse/minuterie indique la vitesse.

3. Appuyez sur  pour activer la minuterie. La touche  s'illumine et **0** clignote sur l'afficheur de vitesse/minuterie pour indiquer que l'appareil est en mode de réglage de la minuterie. Dans ce mode, sélectionnez la durée par intervalles d'une heure en appuyant sur **-/+**. Après trois



secondes, l'afficheur cesse de clignoter et montre la durée pour indiquer que la heure est réglée. L'afficheur affiche ensuite la dernière vitesse sélectionnée. Appuyez sur  pour voir brièvement la durée restante de la minuterie.

4. Pour régler la minuterie, répétez l'étape 3.
5. Pour annuler la minuterie, répétez l'étape 3 et réglez la minuterie à **0**.

## GESTION DU CORDON

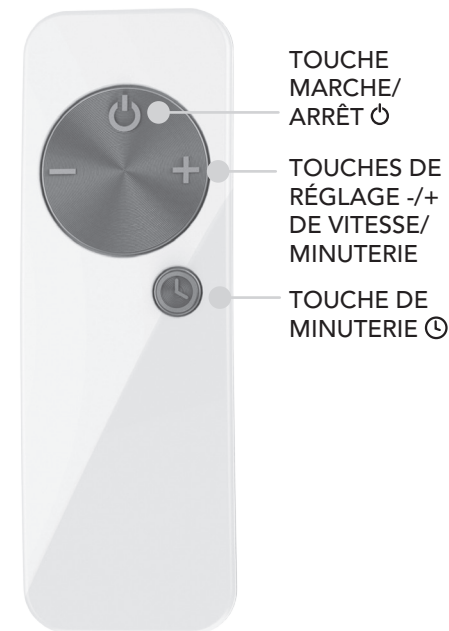
1. Enroulez le cordon autour de l'accélérateur d'air, à l'arrière de l'appareil. Fixez le cordon au moyen des trois pinces situées aux positions correspondant à 2 h, à 6 h et à 10 h sur un cadran.

# TÉLÉCOMMANDE

Vous aurez besoin d'un tournevis. 

La télécommande du ventilateur nécessite une (1) pile bouton CR2032 de 3 V. Une pile est préinstallée dans la télécommande. Enlevez la languette de protection de la pile avant la première utilisation.

1. Pour remplacer la pile de la télécommande, utilisez une pile bouton CR2032 de 3 V. Utilisez toujours une pile dont la taille et la puissance conviennent au produit.
2. Pour remplacer la pile, ouvrez la porte du compartiment de la pile à l'arrière de la télécommande (vous devrez desserrer la petite vis de la porte au moyen d'un tournevis Phillips no 1). Avant d'installer la pile, nettoyez ses points de contact ainsi que ceux du dispositif, au besoin. Enlevez la pellicule protectrice en plastique de la pile, s'il y a lieu, puis insérez la pile dans la télécommande; le côté où apparaît le signe + doit être tourné vers le haut. Assurez-vous que la pile est installée correctement en ce qui a trait à la polarité. Remettez la porte du compartiment de la pile et la vis.



**Remarque :** Si la télécommande ne sera pas utilisée pendant une longue période, en retirer la pile. Quand une pile est morte, toujours l'enlever immédiatement et la remplacer par une pile neuve. Ne pas conserver une pile morte dans la télécommande.

Les fonctions de la télécommande sont identiques à celles du tableau de commande du ventilateur.

Pour que le ventilateur capte le signal de la télécommande, aucun obstacle ne doit entraver la portée optique de la télécommande. Pour obtenir une réception supérieure, dirigez la télécommande vers l'afficheur.

# RETRAIT DE LA GRILLE ET DES PALES

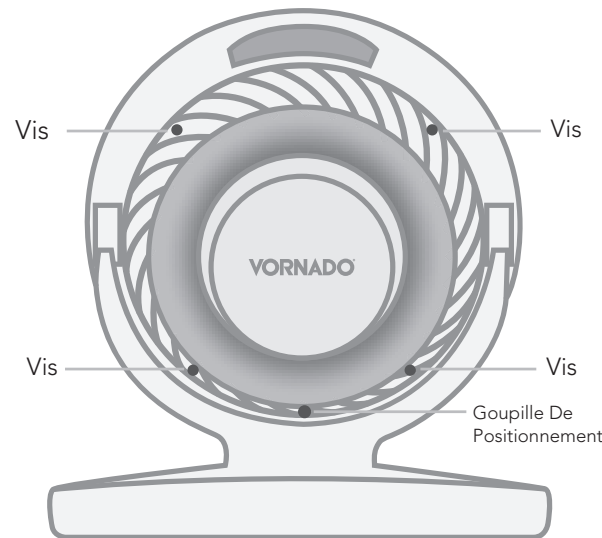
**AVERTISSEMENT :** Afin de réduire le risque de décharge électrique et de blessures, débrancher le ventilateur avant d'enlever les pales.

## GRILLE AMOVIBLE

1. À l'aide d'un tournevis Phillips, retirez la grille en dévissant les 4 vis placées autour du périmètre de la grille d'entrée, soit aux positions correspondant environ à 2 h, à 5 h, à 7 h et à 10 h sur un cadran. La grille pourra ensuite être enlevée. Pour remettre la grille, posez-la en vous assurant que le logo au centre de la grille est placé bien droit. Alignez la goupille de positionnement pour fixer la grille à nouveau. Quand la goupille est alignée, remettez les vis.
2. Époussetez ou nettoyez avec un détergent à vaisselle doux. Ne nettoyez pas la grille au lave-vaisselle, car la chaleur élevée peut déformer le plastique.

## RETRAIT DES PALES

1. Il est possible de retirer les pales si un objet s'enroule accidentellement autour de l'arbre du moteur. Retirez d'abord l'écrou de l'arbre. Tournez l'écrou en sens horaire pour le desserrer. Tirez les pales pour les enlever de l'arbre. Les pales peuvent être remises sur l'arbre d'une seule façon. Assurez-vous que le côté plat de l'arbre est directement aligné sur le côté plat correspondant de l'emboîtement des pales. Poussez les pales pour les enfoncer complètement sur l'arbre. N'utilisez pas un marteau, car il pourrait endommager les pièces. Remettez l'écrou.
2. Essuyez les pales à l'aide d'un chiffon humide. Si le ventilateur est utilisé dans un lieu gras, comme une cuisine, il pourrait être nécessaire d'utiliser un savon doux ou un nettoyant domestique. N'utilisez pas de solvant.



# NETTOYAGE

Puisque le produit déplace une importante quantité d'air, il aura besoin d'être nettoyé régulièrement pour éliminer les peluches, la poussière et la saleté. Ne nettoyez jamais l'humidificateur d'une façon différente de celle expliquée dans le présent guide d'utilisation.

## AVERTISSEMENT

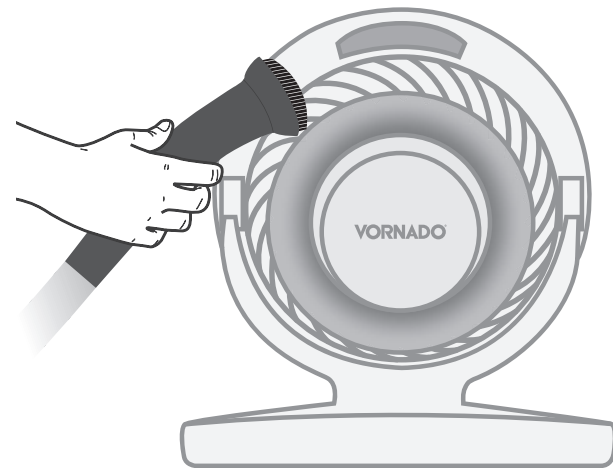
**Respecter les mesures de sécurité suivantes pour éviter les risques et les dommages matériels.**

- Débrancher le ventilateur avant de le nettoyer.
- Ne pas utiliser d'essence, de diluant, de solvant, d'ammoniac ou d'autres produits chimiques pour le nettoyage.
- Ne pas essayer de réparer ou de remplacer des pièces.



Le moteur est lubrifié en permanence; il n'est donc pas nécessaire de le graisser.

1. Époussetez le ventilateur ou essuyez-le à l'aide d'un chiffon humide.
2. Utilisez un aspirateur domestique, équipé de sa brosse, pour éliminer la poussière accumulée.



# DÉPANNAGE

## PROBLÈME

## CAUSE POSSIBLE ET SOLUTION

L'appareil ne se met pas sous tension.

L'appareil n'est pas branché. Branchez le cordon d'alimentation dans une prise électrique.

Assurez-vous d'avoir sélectionné un réglage de vitesse.

L'appareil est endommagé ou il doit être réparé. Cessez d'utiliser l'appareil et débranchez-le. Contactez le service à la clientèle pour obtenir de l'aide.

La prise est usée ou endommagée. Essayez d'utiliser une autre prise ou contactez un électricien compétent.

La circulation d'air est faible ou lente.

L'appareil a été réglé à vitesse faible. Utilisez une vitesse plus élevée.

La circulation d'air est entravée. Enlevez ce qui entrave la circulation d'air.

Dirigez la circulation d'air vers l'utilisateur.

Le DDFT a été déclenché.

Dans certaines conditions, il est possible qu'un DDFT (disjoncteur de fuite de terre) avec touche de réinitialisation soit déclenché quand l'utilisateur change la vitesse d'un ventilateur Vornado. Dans ce cas, branchez l'appareil dans une prise non reliée à un DDFT. Le problème peut aussi indiquer que la prise reliée au DDFT est faible ou défectueuse. Contactez un électricien compétent pour faire vérifier la prise reliée au DDFT.

La télécommande ne fonctionne pas.

La pile est morte. Remplacez-la par une nouvelle pile CR2032 de 3 volts. Consultez la section TÉLÉCOMMANDE.

Pour que l'appareil capte le signal de la télécommande, aucun obstacle ne doit entraver la portée optique de la télécommande. Placez l'appareil de façon que la lentille du récepteur (située au-dessus du logo Vornado) soit visible à partir de la télécommande.

# RENSEIGNEMENTS SUR LE PRODUIT

Modèle(s) :			5303DC-EU	6303DC-EU
Description	Symbole	Unité	Valeur	Valeur
Tension d'entrée		V	220-240	220-240
Fréquence de tension du secteur		Hz	50	50
Classe de protection		Class	IPX0	IPX0
Dimensions		W x H x D (cm)	18 x 30 x 27	21 x 37 x 31
Poids		Approx. (g)	1,805	2,522
Alimentation électrique du ventilateur	P	Watts (W)	31.10	52.51
Débit d'air maximal prévu du ventilateur	F	m <sup>3</sup> /min	22.68	31.37
Valeur de service	SV	(m <sup>3</sup> /min)/W	0.73	0.60
Consommation d'énergie en mode veille	P <sub>SB</sub>	Watts (W)	0.41	0.35
Niveau sonore émis	L <sub>WA</sub>	dB(A)	58	57
Vitesse maximale de l'air	c	m/sec	3.21	4.62
Norme de mesure de la valeur de service	IEC 60879: 1986 corr(1992) GB/T 13380-2007			
Coordonnées pour l'obtention de plus amples renseignements	Vornado Air LLC 415 East 13th Street Andover, KS 67002 USA			





# GARANTIE LIMITÉE\*

Nous espérons que ce produit est parfait. Si vous n'êtes pas satisfait avec ce produit, faites-nous savoir.

## \*Limité les conditions de garantie et de réparation et les conditions

Vous recevrez une volontaire 10 ans garantie du fabricant de la date d'achat sur les matériaux et de fabrication du produit. Garantie du fabricant de cette étendue est valable pour tous les clients en Europe. Les réclamations de garantie légale ne sont pas affectées par le présent règlement additionnel.

Le fabricant n'assume aucune responsabilité quant aux dommages survenant à la suite du non-respect de ces instructions ou d'une utilisation inadéquate du produit. Ces actions entraîneront l'annulation de la garantie du produit.

Cette garantie ne s'applique pas aux vices qui résultent d'une utilisation abusive du produit, de sa modification, de la réparation du produit ou de son entretien s'ils n'ont pas été effectués par Vornado ou un centre de service autorisé, d'une manutention inadéquate, d'un entretien inadéquat, d'un usage commercial du produit, ni des dommages survenus lors de la livraison ou causés par des catastrophes naturelles.

Il n'est pas recommandé d'effectuer des modifications non autorisées du produit, de faire réparer le produit dans un centre de réparation non autorisé ou d'utiliser des pièces de rechange non approuvées, sinon tout effet négatif sur le produit ne sera pas couvert par les garanties du produit ni par les services de soutien.

La garantie ne couvre pas les dommages causés par un usage inapproprié ou non conforme au guide d'utilisation, entre autres (sans s'y limiter), si le produit est exposé à l'humidité, à des températures extrêmes, aux intempéries, à la corrosion ou à l'oxydation, si des liquides se déversent sur le produit, si des substances chimiques entrent en contact avec le produit ou tout autre incident que le fabricant ne peut contrôler ou prévoir de façon raisonnable.

Pour que le produit soit traité par le département de service, il est nécessaire d'envoyer un reçu ou une facture.

La totalité des renseignements techniques, des données et des instructions d'installation, de branchement et de fonctionnement du présent guide d'utilisation sont conformes aux informations les plus récentes au moment de l'impression.

Le contenu du présent guide d'utilisation peut différer légèrement du produit réel. Consultez tout autre document joint en annexe.

Tous les noms d'entreprise et de produit sont des marques de commerce de leurs propriétaires respectifs. © Tous droits réservés.

Consulter la pour dernière couverture du guide du propriétaire pour l'information de l'importateur et votre centre de Service autorisé.

# INHOUD

Belangrijke Instructies.....	50	Rooster En Blad Verwijderen .....	60
Eerste Stappen .....	53	Reinigen .....	61
Eigenschappen.....	55	Probleemoplossingen .....	62
Bedieningselementen .....	56	Productinformatie .....	63
Gebruik .....	58	Garantie .....	64
Afstandsbediening .....	59		



Conception et mise au point à É.U.

© 2017 Vornado Air LLC Andover, KS 67002 É.U. Brevet en instance. Spécifications sujettes à modification sans préavis. Vornado® est une marque détenue par Vornado Air LLC.

# BELANGRIJKE INSTRUCTIES

## LEES ALLE INSTRUCTIES VOOR GEBRUIK GOED DOOR.

Deze gebruikershandleiding en de eventueel beschikbare inlegbladen dienen als onderdeel van het product te worden beschouwd. Ze bevatten belangrijke informatie over veiligheid, gebruik en recycling. Raak vertrouwd met alle gebruiks- en veiligheidsinstructies voordat u het product gebruikt. Bewaar alle documenten voor toekomstig gebruik en geef ze, samen met het product, aan de volgende eigenaar, indien van toepassing. Bezoek onze website voor de meest recente versie van de gids onze eigenaar.

De volgende Waarschuwingen vindt u vaak terug in deze handleiding:

### GEVAAR

**Duidt op gevaren met een hoog risico die, indien niet vermeden, kunnen leiden tot de dood of tot ernstig letsel. Volg de instructies nauwlettend op, om dit acuut gevaarlijke risico te vermijden.**

### WAARSCHUWING

**Duidt op gevaren met een MIDDELMATIG risico die, indien niet vermeden, kunnen leiden tot de dood, ernstig of minder ernstig letsel, ofwel materiële schade.**

### BELANGRIJKE INSTRUCTIES

Bevatten aanvullende informatie die u zullen helpen bij onderhoud en omgang met het toestel.

**EIGENLIJK GEBRUIK:** Dit product is alleen bedoeld om de lucht in woonruimten te circuleren. Dit product is niet bedoeld voor commerciële of industriële toepassingen.

De fabrikant aanvaardt geen aansprakelijkheid voor schade veroorzaakt door het niet opvolgen van deze instructies door of oneigenlijk gebruik van het product. Door dergelijke handelingen vervalt de garantie.

**WAARSCHUWING** – Om het risico van brand, elektrische schokken en letsel aan personen te voorkomen, dienen bij gebruik van elektrische toestellen bepaalde elementaire voorzorgsmaatregelen altijd te worden opgevolgd, zoals de volgende:

### WAARSCHUWING

**Risico door oneigenlijk gebruik van het toestel. Deze richtlijnen dienen te worden opgevolgd, om risico's voor mensen of schade aan eigendommen te voorkomen.**

- Gebruik dit product NIET buiten of direct blootgesteld aan weersinvloeden.
- Gebruik dit apparaat NIET in tropische vochtige klimaten. Als het product van de kou naar een warme ruimte wordt gebracht (bijvoorbeeld tijdens transport), kan er condensatie optreden in het toestel. Laat het apparaat eerst op kamertemperatuur komen, voordat u het gaat gebruiken.
- Gebruik dit product NIET op natte oppervlakken. Gebruik dit product niet in een bad of douche en plaats het zodanig dat het niet in een bad, douche of pool kan vallen of op een andere manier in het water terecht kan komen.
- Dompel dit product NIET onder in water en laat geen water in het motorhuis druppelen.
- NIET gebruiken in de buurt van kachels, open haarden, ovens of andere warmtebronnen met hoge-temperaturen.

- Dit product NIET te dicht bij gordijnen of andere losse textiele stoffen gebruiken, die in het product zouden kunnen worden getrokken, daardoor de luchtstroom blokkeren en schade aan de motor veroorzaken.
- Draag dit product NIET aan het snoer en gebruik het snoer niet als handvat omdat het de interne bedrading kan beschadigen. Trek de stekker niet uit het stopcontact door aan het snoer te trekken en breng het snoer niet op andere manier onder trekkracht. Trek aan de stekker, niet aan het snoer.
- Leg het snoer NIET onder het tapijt. Bedek het snoer niet met kleedjes, lopers, of soortgelijke vloerbedekkingen. Leg het snoer ook niet onder meubels of apparaten. Leg het snoer niet op plaatsen waar veel langs wordt gelopen, zodat er niemand kan struikelen. Om struikelgevaar te voorkomen dient het netsnoer veilig te worden opgerold/opgeborgen.

**ELEKTRISCHE AANSLUITING:** Alleen een goed 230V ~50Hz stopcontact mag worden gebruikt voor aansluiting op netstroom.

### GEVAAR

**Risico van elektrische schok. Contact met draden of onderdelen die onder spanning kan mogelijk fataal zijn!**

- Raak het product NIET aan met natte of vochtige handen.
- Gebruik de kachel NIET met een beschadigde snoer of stekker als de kachel niet goed werkt, of als hij is gevallen of op een andere manier beschadigd is geraakt. Doe de kachel weg of breng hem naar een geautoriseerd vakbedrijf om te worden nagekeken en/of gerepareerd.
- Als het voedingssnoer beschadigd is, moet het, om risico te voorkomen, door de fabrikant, de dealer of een vergelijkbaar vakkundig persoon worden vervangen.
- Rek de stroomkabel NIET en stel hem ook niet aan trekkracht bloot.
- Voorkom dat er vreemde voorwerpen in de in- of uitlaatzijde in de kachel terecht kunnen komen, omdat dit elektrische schok, kortsluiting en brand of schade aan het product zou kunnen veroorzaken.

- Schakel alles uit voordat u de stekker uit het stopcontact trekt. Haal de stekker uit het stopcontact als u het toestel voor langere tijd niet in gebruik hebt. Open de behuizing van het toestel NIET. Om het risico op schokken te voorkomen, moet alle service/reparaties worden uitgevoerd door een Vornado Authorized Service Center. Er mogen alleen originele onderdelen worden gebruikt.
- Om veiligheidsredenen altijd de stekker van het toestel uit het stopcontact trekken tijdens een onweersbui.

### WAARSCHUWING

**Het risico van een onjuiste installatie. Deze richtlijnen dienen te worden opgevolgd, om risico's voor mensen of schade aan eigendommen te voorkomen.**

- Zorg ervoor dat het stopcontact goed toegankelijk blijft, zodat apparaat in geval van nood kan worden losgekoppeld.
- Om het risico van brand of elektrische schok te beperken, mag dit product niet samen met een externe snelheidsregeling worden gebruikt.
- Om het risico van brand, elektrische schok of persoonlijk letsel te beperken, niet in een open raam zetten.

### WAARSCHUWING

**Risico's voor kinderen en andere risicogroepen.**

- Dit toestel mag worden gebruikt door kinderen vanaf 8 en personen met verminderde lichamelijke, zintuiglijke of geestelijke vermogens, of gebrek aan ervaring en kennis, indien ze onder toezicht staan of geïnstrueerd zijn over het gebruik van het toestel en begrijpen wat de risico's ervan zijn.
- Kinderen mogen nooit met het toestel spelen.
- Reiniging en onderhoud mag nooit door kinderen worden uitgevoerd

- die niet onder toezicht staan.
- Dit product en het verpakkingsmateriaal zijn geen speelgoed en moeten buiten het bereik van kinderen worden gehouden.

**Informatie met betrekking tot de EG-conformiteitsverklaring** Het product voldoet aan alle betreffende en noodzakelijke EG-richtlijnen, waaronder:

- Laagspanningsrichtlijn (LVD)
- Richtlijn Elektromagnetische Compatibiliteit (EMC)
- Energiegerelateerde Producten-richtlijn (ErP)
- Beperking van Gevaarlijke Stoffen-richtlijn (RoHS)
- Registratie, Evaluatie, Autorisatie en Beperking van Chemische stoffen (REACH)

**De volledige conformiteitsverklaring is geregistreerd en kan worden verkregen via de importeur.**



**RECYCLING VERPAKKING** De verpakking beschermt het apparaat tegen transportschade. De verpakkingsmaterialen zijn gekozen uit het oogpunt van hun milieuvriendelijkheid en zijn daarom recyclebaar.

- Verwijder alle verpakkingsmaterialen op een milieuvriendelijke manier.



**WEEE Recycling**

- **Verwijdering van afgedankte elektrische en elektronische apparatuur:** Deze markering geeft aan dat dit product nergens in de

hele EU mag worden verwijderd samen met ander huishoudelijk afval. Recycle het op een verantwoorde manier om duurzaam hergebruik van materialen mogelijk te maken en om mogelijke schade aan het milieu of de menselijke gezondheid door het dumpen van afval te voorkomen. U kunt uw verbruikte apparaat inleveren via de bekende recycle- en inzamelsystemen of neem contact op met de detailhandelaar waar het product is gekocht. Zij kunnen dit product dan milieuvrij laten recyclen.



**Batterijrecycling**

- **BATTERIJEN VERWIJDEREN** - Batterijen moeten uit het afgedankte product worden gehaald en horen niet in het huisvuil. Verwijder alle soorten batterijen via een erkend afvalverwerkingsbedrijf of via de afvalvoorzieningen van uw gemeente. Houdt u zich aan de actuele voorschriften. Neem in geval van twijfel contact op met het afvalverwerkingsbedrijf.

- Elke consument is wettelijk verplicht alle batterijen en accu's, ongeacht of ze schadelijke stoffen\* bevatten of niet, bij een inzamelpunt van de stad of de handel in te leveren, zodat ze op een milieuverantwoorde wijze kunnen worden afgevoerd.

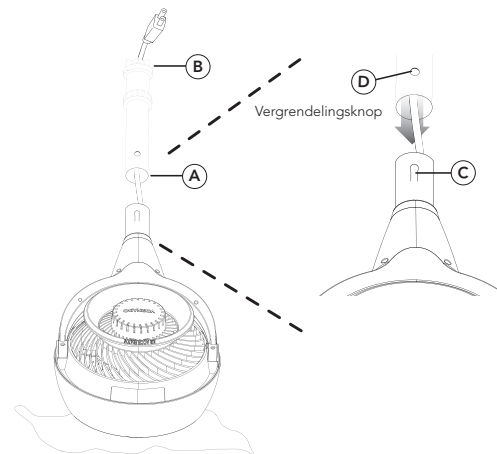
\*Identificatie Cd = cadmium; Hg = kwik; Pb = lood

# EERSTE STAPPEN

**Circulatorkop monteren** (alleen model 6803DC)

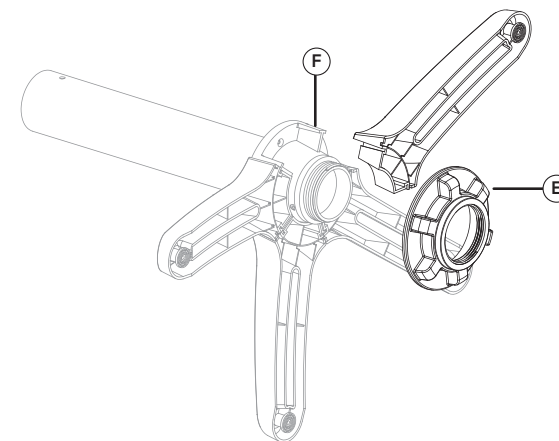
**Geen gereedschap vereist!**

1. Plaats voorzichtig de circulatorkop met de voorkant naar beneden op de grond op een zachte doek om krassen of schade aan het apparaat te voorkomen. Steek het netsnoer in de bovenste buis (A) tot het er aan de onderkant (B) weer uitkomt. Lijn de ontgrendelingsknop (C) op de circulatorkop uit met het gat (D) op de buis. Duw de buis in de circulatorkop totdat de vergrendelingsknop vastklikt.



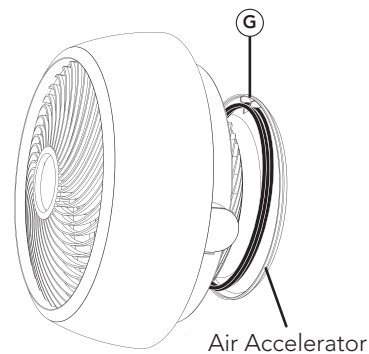
**Voet monteren** (alleen model 6803DC)

1. De bovenste en onderste buis zijn voorgeïnstalleerd en de bevestigingsmoer (E) zit aan de onderzijde van de voet. Draai de moer linksom om hem los te draaien.
2. De poten passen in de groeven (F) van de onderkant van de voetdeksel. Monteer alle poten aan de buis, plaats de bevestigingsbout weer en zet hem vast door de moer rechtsom vast te draaien en zodoende de poten te vergrendelen.



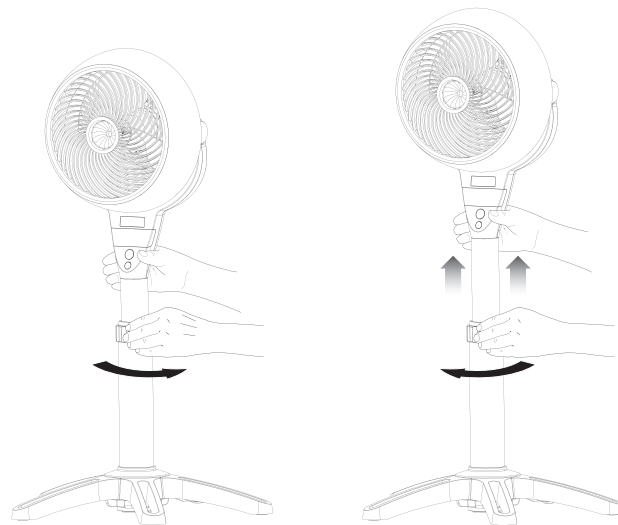
## Snoeropberging

1. Draai het snoer rond de Air Accelerator, aan de achterkant van het toestel. Zet het snoer vast met de drie clips (G) in de 2, 6 en 10 uur posities.



## Hoogte-aanpassing (Alleen model 6803DC)

1. Houd met uw ene hand de ventilatorkop (A) vast alvorens u de hoogte van de circulator aanpast. Gebruik uw andere hand om de instelling voorzichtig linksom los te draaien.
2. Verleng of verkort de buis tot de gewenste hoogte en zet hem vast door de instelling rechtsom te draaien tot hij vastklemt.



# EIGENSCHAPPEN

## RICHTBARE LUCHTSTROOM

Richt de luchtstroom zoals u maar wilt.

## ENERGIEBESPARENDE TIMER in stappen van 1–12 uur.

## TOUCH-GEVOELIGE BEDIENINGSELEMENTEN (99 SNELHEDEN)

Er is een instelling voor elk comfortniveau.

## AFSTANDBEDIENING

Gemak binnen handbereik.



## SNOEROPBERGING

Geïntegreerde snoeropberging.

## VINGERVRIENDELIJK ONTWERP

Houdt nieuwsgierige vingertjes buiten.

## SILICONEN VOETJES

Niet-strepende, extra voeten voor stabiliteit.

# BEDIENINGSELEMENTEN

Alleen modellen 5303DC, 6303DC



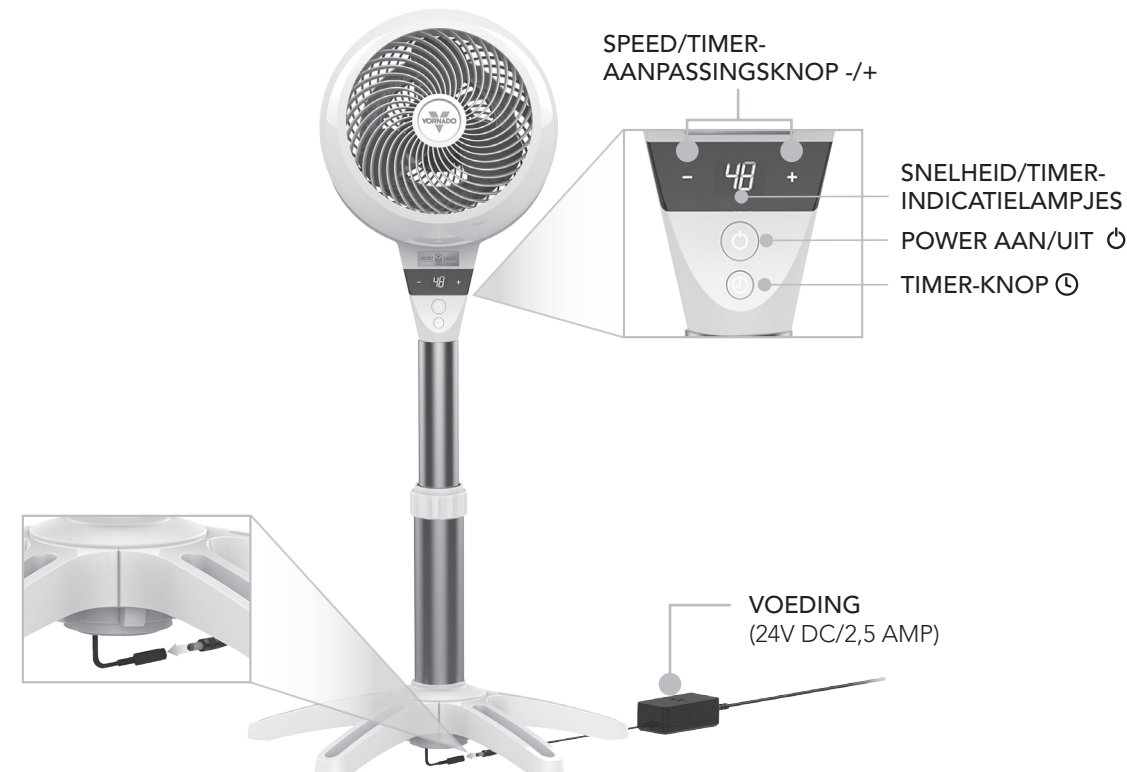
TIMER-KNOP ⌚  
POWER AAN/UIT ⏻

SNELHEID/TIMER-  
INDICATIELAMPJES

SPEED/TIMER-  
AANPASSINGSKNOP -/+


# BEDIENINGSELEMENTEN

Alleen model 6803DC






# GEBRUIK

1. Aanraken om het toestel in te schakelen 

 Uw circulatorkop start met de laatste opgeslagen instelling.

2. Selecteer de gewenste snelheid met **-/+**. Houd **-/+** ingedrukt om de snelheid met telkens 5 stappen hoger of lager aan te passen. De snelheid wordt aangegeven door het nummer op het Speed/Timer-display.

3. Indrukken  om de timer te activeren. De  gaat branden en het Speed/Timer-display knippert **0** om aan te geven dat het in de Timer-instelling staat. In deze kunt u de tijd in intervallen van een uur selecteren door **-/+** in te drukken. Na drie seconden stopt het knipperen en het display geeft de uren weer om aan te duiden dat de timer is ingesteld. Het display keert terug naar de laatst geselecteerde snelheid. Raak  aan om



u snel te weten te komen hoeveel uren er nog op de timer zijn ingesteld.

4. Om de timer aan te passen, herhaalt u Stap drie.
5. Om de timer te annuleren, herhaalt u Stap drie en stelt u de timer op 0 in.

## SNOEROPBERGING

1. Draai het snoer rond de Air Accelerator, aan de achterkant van het toestel. Zet het snoer vast met de drie clips in de 2, 6 en 10 uur posities.

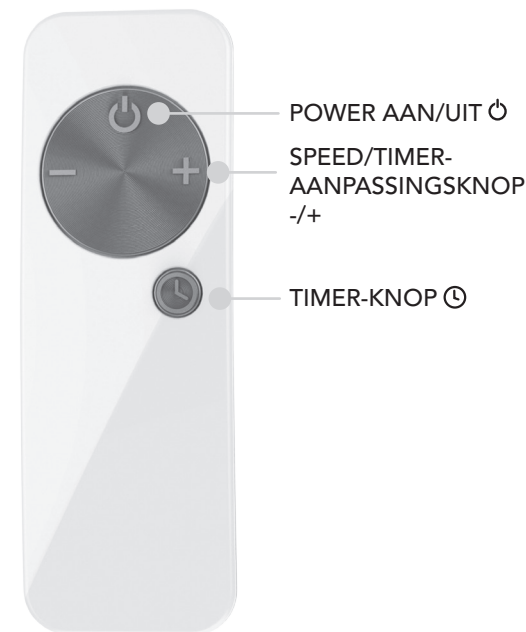
# AFSTANDSBEDIENING

Schroevendraaier nodig. 

De afstandsbediening van uw circulator heeft (1) 3V CR2032 knoopcel. De batterij is vooraf geïnstalleerd. Trek aan het lipje om de batterij te activeren voor het eerste gebruik.

1. De afstandsbediening heeft een knoopcel 3V CR2032 nodig. Gebruik altijd het juiste formaat en type batterij voor dit product.
2. Om de batterij te vervangen: open de batterijklep aan de achterkant van de afstandsbediening (u moet het kleine schroefje op de klep met een nr. 1 kruiskopschroevendraaier losdraaien). Reinig indien nodig de batterijcontacten en ook die van het toestel alvorens u de nieuwe batterij plaatst. Verwijder de plastic verpakking van de batterij en plaats hem in de afstandsbediening met de + zijde naar buiten gericht. Zorg ervoor dat de batterij juist is geplaatst, met de polen aan de juiste kant. Plaats de batterijklep en schroef hem weer vast.

**NB:** Haal de batterij uit de afstandsbediening wanneer deze langere tijd niet wordt gebruikt en verwijder lege batterijen altijd onmiddellijk en vervang ze door verse. Laat lege batterijen niet in de afstandsbediening zitten.



De afstandsbediening functioneert net als het bedieningspaneel op de circulator.

De afstandsbediening moet zich in het zichtveld van de circulator bevinden zodat het signaal kan worden ontvangen. Richt de afstandsbediening op het display voor de beste ontvangst.

# ROOSTER EN BLAD VERWIJDEREN

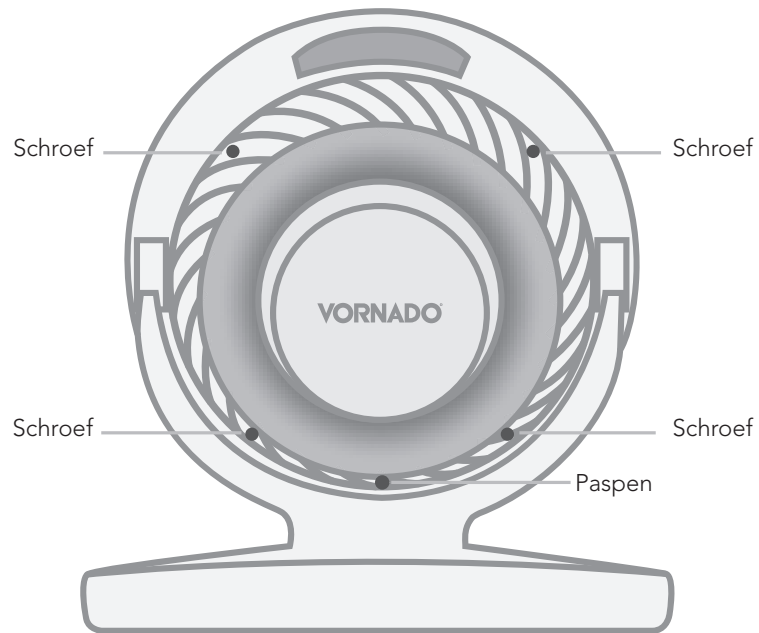
**WAARSCHUWING:** Om het risico van elektrische schok of persoonlijk letsel bij het verwijderen van het blad te beperken, moet de stekker van de circulator uit het stopcontact worden getrokken.

## VERWIJDERBAAR ROOSTER

1. Verwijder het rooster door met een kruiskopschroevendraaier de 4 schroeven langs de omtrek van het inlaatrooster op ongeveer de 2, 5, 7, en 10 uur-posities los te draaien. Hierdoor komt het rooster los. Om het weer aan te brengen, het rooster dusdanig plaatsen dat het logo weer in het midden zit. Gebruik de uitlijnpunten om het rooster te plaatsen. Als het is uitgelijnd, schroeven plaatsen en vastdraaien.
2. Afstoffen of wassen met een mild afwasmiddel. Stop rooster niet in de vaatwasser. De overmatige hitte kan het plastic vervormen.

## BLAD VERWIJDEREN

1. Het is mogelijk om het blad te verwijderen als er zich iets per ongeluk rond de motoras vastdraait. Verwijder eerst de moer van de as. Draai de moer rechtsom los. Trek het blad van de as. Bij het vervangen kan het blad maar op één manier weer op de as worden geplaatst. Let op dat de platte kant van de as zich aan de betreffende platte kant van het gat in het blad bevindt. Duw het blad helemaal op de as tot aan de aanslag. Gebruik geen hamer omdat dit kan leiden tot lagerschade. Draai de moer weer vast.
2. Veeg het blad met een vochtige doek schoon. Als de Air Circulator wordt gebruikt in een vette omgeving, zoals een keuken, gebruik dan milde zeep of een normaal huishoudelijk schoonmaakmiddel. Gebruik geen oplosmiddelen.



# REINIGEN

Omdat uw product aanzienlijke hoeveelheden lucht transporteert, moeten stof, pluizen en vuil regelmatig worden verwijderd. Maak uw luchtbevochtiger nooit met een andere methode schoon dan in deze gebruiksaanwijzing beschreven staat.

## WAARSCHUWING

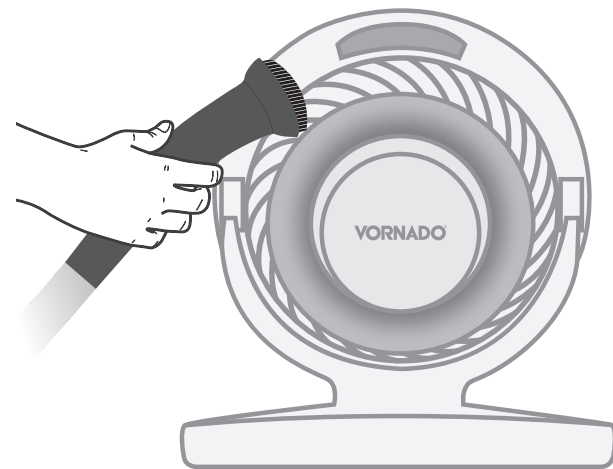
**Volg deze veiligheidsinformatie op om risico's en materiële schade te voorkomen.**

- Haal de stekker uit het contact voor het schoonmaken.
- Gebruik nooit benzine, verduiners, oplosmiddelen of andere chemische middelen bij het schoonmaken.
- Probeer niet onderdelen te demonteren of vervangen.



De motor wordt permanent gesmeerd en hoeft niet te worden nagesmeerd.

1. Circulator afstoffen of schoonmaken met een vochtige doek.
2. Gebruik de kleine borstel op uw gewone stofzuiger om opgehoopt stof weg te zuigen.



# PROBLEEMOPLOSSINGEN

## PROBLEEM

## MOGELIJKE OORZAAK EN OPLOSSING

<b>Toestel gaat niet aan.</b>	<p>Het toestel is niet aan het net aangesloten. Stop de stekker in het stopcontact.</p> <p>Controleer of de ventilatorsnelheid is geselecteerd.</p> <p>Toestel beschadigd of defect. Stop met het gebruik ervan en trek de stekker eruit. Neem contact op met de klantenservice voor assistentie.</p> <p>Het stopcontact is versleten of beschadigd. Probeer een ander stopcontact of neem contact op met een elektricien.</p>
<b>Luchtstroming is zwak of traag.</b>	<p>Het toestel staat op een lage stand. Stel het op een hogere stand in.</p> <p>Luchtstroom wordt geblokkeerd. Verwijder blokkerend voorwerp.</p> <p>Pas de richting van de luchtstroom naar de gebruiker aan.</p>
<b>Aardlekschakelaar getript.</b>	<p>Onder bepaalde omstandigheden is het mogelijk dat een stopcontact met aansluiting aan een aardlekschakelaar tript als de gebruiker de snelheid op een Vornado circulator aanpast. Gebruik in dit geval stopcontact dat niet is aangesloten op een aardlekschakelaar. Het kan duiden op een zwakke of defecte aardlekschakelaar. Vraag een erkende elektricien om de aardlekschakelaar te vervangen.</p>
<b>De afstandsbediening werkt niet.</b>	<p>De batterij is leeg. Vervangen door nieuwe 3 volt CR2032 batterij. (Zie AFSTANDSBEDIENING)</p> <p>De afstandsbediening moet zich in het zichtveld van het apparaat bevinden zodat het signaal kan worden ontvangen. Plaats de eenheid zodanig dat de lens (in het logo Vornado "V") vanuit de positie van de afstandsbediening zichtbaar is.</p>

# PRODUCTINFORMATIE

Model(len):			5303DC-EU	6303DC-EU
Beschrijving	Symbol	Unit	Waarde	Waarde
Invoerspanning		V	220-240	220-240
Netstroomfrequentie		Hz	50	50
Beschermingsklasse		Class	IPX0	IPX0
Afmetingen		W x H x D (cm)	18 x 30 x 27	21 x 37 x 31
Gewicht		Approx. (g)	1,805	2,522
Vermogen ventilator	P	Watts (W)	31.10	52.51
Maximaal ventilatordebiet	F	m <sup>3</sup> /min	22.68	31.37
Servicewaarde	SV	(m <sup>3</sup> /min)/W	0.73	0.60
Energieverbruik in stand-by	P <sub>SB</sub>	Watts (W)	0.41	0.35
Geluidsniveaus	L <sub>WA</sub>	dB(A)	58	57
Maximale luchtsnelheid	c	m/sec	3.21	4.62
Meetstandaard voor servicewaarde	IEC 60879: 1986 corr(1992) GB/T 13380-2007			
Contactinformatie	Vornado Air LLC 415 East 13th Street Andover, KS 67002 USA			





# BEPERKTE GARANTIE\*

We gaan ervan uit dat dit product perfect is. Als u niet tevreden bent met dit product, laat het ons dan weten.

## \*Beperkte garantie en reparatie-algemene verkoopsvoorwaarden

U ontvangt een vrijwillige tien jaar fabrieksgarantie van datum van aankoop van materialen en afwerking van het product. Deze verlengde fabrieksgarantie is geldig voor alle klanten in Europa. De wettelijke garantie-aanspraken blijven onaangetaast door deze aanvullende verordening.

De fabrikant aanvaardt geen aansprakelijkheid voor schade veroorzaakt door het niet opvolgen van deze instructies, of door oneigenlijk gebruik van het product. Dergelijke omgang met het product maakt de garantie ongeldig.

Deze garantie is niet van toepassing op defecten die voortvloeien uit misbruik van het product, aanpassingen, wijzigingen, reparaties aan, of service van het product door iemand anders dan Vornado of een geautoriseerd Service Center zelf, onjuist gebruik, onjuist onderhoud, commercieel gebruik van het product, schade ontstaan tijdens verzending of die kan worden toegeschreven aan force majeure.

Onbevoegde productaanpassingen, reparatie door een niet-geautoriseerd reparatiecentrum, of het gebruik van niet-goedgekeurde vervangende onderdelen wordt afgeraden en eventuele gevolgen worden niet gedekt door de ondersteunende diensten of productgaranties.

Uitgesloten zijn schade door oneigenlijk gebruik of door het niet-opvolgen

van de handleiding. Bijvoorbeeld, maar niet beperkt tot: Als het product is blootgesteld aan vocht, extreme temperaturen of omstandigheden, corrosie, oxidatie, indien er vloeistof op het apparaat terecht is gekomen, indien chemische stoffen op het product hebben ingewerkt of door andere gebeurtenissen die niet binnen de redelijke invloedssfeer van de fabrikant liggen.

Een voorwaarde voor bewerking in de serviceafdeling is het indienen van een bon of factuur.

Alle technische informatie, gegevens en instructies voor de installatie, aansluiting en bediening in deze gebruiksaanwijzing zijn de nieuwste beschikbare informatie bij het ter perse gaan.

De inhoud van deze handleiding kan enigszins afwijken van het eigenlijke product. Let op eventuele bijlagen.

Alle bedrijfsnamen en productnamen zijn handelsmerken van de respectieve eigenaars. © Alle rechten voorbehouden.

Verwijzen naar de achterzijde van de eigenaar van de gids voor de importeur informatie en uw Authorised Service Center.

# INDICE

Istruzioni Importanti.....	66	Rimozione Della Griglia E Della Lama .....	76
Come Iniziare .....	69	Pulizia .....	77
Caratteristiche.....	71	Risoluzione Problemi.....	78
Comandi.....	72	Informazioni Sul Prodotto.....	79
Come Utilizzare.....	74	Garanzia .....	80
Telecomando.....	75		



Ontwerp, constructie en support uit de Verenigde Staten.

© 2017 Vornado Air LLC Andover, KS 67002 U.S. Patent aangevraagd. Specificaties kunnen zonder voorafgaande aankondiging worden gewijzigd. Vornado® is een handelsmerk van Vornado Air LLC.

# ISTRUZIONI IMPORTANTI

## LEGGERE TUTTE LE ISTRUZIONI PRIMA DI UTILIZZARE.

Il presente manuale utente e ogni altro inserto aggiuntivo sono da considerarsi parti del prodotto. Contengono informazioni importanti relative alla sicurezza, all'utilizzo e allo smaltimento. Prima di utilizzare l'apparecchio, familiarizzare con tutte le istruzioni operative e di sicurezza. Conservare tutti i documenti come riferimento futuro e consegnarli, insieme al prodotto, nel caso di cessione ad altra persona. Consultare il nostro sito per la versione più aggiornata del manuale utente.

I seguenti messaggi d'avvertimento si trovano nel presente manuale:

### PERICOLO

Indica un pericolo con un **ALTO** livello di rischio che, se non evitato, può causare la morte o danni seri. Prestare particolare attenzione a tutte le istruzioni date per evitare questo rischio molto pericoloso.

### AVVERTENZA

Indica un rischio di livello **MEDIO** che, se non evitato, potrebbe provocare morte, danni seri, danni minori o lievi o potenziali danni a cose.

### ISTRUZIONI IMPORTANTI

Indica le informazioni aggiuntive che aiuteranno nella manipolazione del dispositivo.

**USO PREVISTO:** Questo apparecchio è stato progettato per fare circolare l'aria solo negli spazi vitali interni. Questo apparecchio non è stato progettato per uso commerciale o industriale.

Il produttore non si assume alcuna responsabilità per danni causati dal mancato rispetto delle istruzioni o da un uso improprio dell'apparecchio. Una qualsiasi di tali azioni invaliderà la garanzia del prodotto.

**AVVERTENZA** – Durante l'utilizzo di apparecchi elettrici, devono essere seguite delle precauzioni di base per ridurre il rischio di incendio, scossa elettrica e danni alle persone, incluso quanto segue:

### AVVERTENZA

**Rischio da uso e manipolazione non intenzionali. Prestare attenzione a seguire queste linee guida per evitare rischi a persone o cose.**

- Non utilizzare questo apparecchio all'esterno o esposto direttamente alle condizioni atmosferiche.
- Non utilizzare questo dispositivo in climi tropicali umidi. Se l'apparecchio passa da una zona fredda ad una zona calda (es. durante il trasporto), è possibile che si formi della condensa all'interno dell'unità. Lasciare che il dispositivo raggiunga la temperatura ambiente, prima di utilizzarlo.
- Non utilizzare l'apparecchio su superfici bagnate. Non utilizzare l'apparecchio in una vasca da bagno, una doccia o in una zona dove possa cadere in una vasca da bagno, una lavanderia, una piscina o in altro contenitore di acqua.
- Non immergere l'apparecchio in acqua e non permettere che l'acqua goccioli nell'alloggiamento del motore.
- Non utilizzare nei pressi di forni, camini, stufe o altre fonti di calore

ad alta temperatura.

- Non posizionare l'apparecchio troppo vicino a tende o altri tessuti in quanto potrebbero impigliarsi nell'apparecchio, interrompendo il flusso d'aria e danneggiando il motore.
- Non spostare l'apparecchio tirandolo dal cavo e non utilizzare il cavo come una maniglia in quanto può danneggiarsi l'impianto elettrico interno. Non disconnettere l'apparecchio tirando il cavo o mettendo il cavo in tensione. Per disconnettere, afferrare la spina, non il cavo di alimentazione.
- Non fare passare il cavo sotto la moquette. Non coprire il cavo con tappetini, passatoie o coperture simili. Non fare passare il cavo sotto mobili o sotto apparecchi. Sistemare il cavo lontano da zone di passaggio o dove si possa inciampare. Per evitare il rischio di inciampare, avvolgere/conservare in maniera sicura il cavo di alimentazione.

**COLLEGAMENTO ELETTRICO:** Soltanto una presa adatta di 230V~50Hz CA può essere utilizzata per collegare alla rete di alimentazione.

### PERICOLO

**Rischio di scossa elettrica. Il contatto con fili o componenti sotto tensione potrebbe essere potenzialmente mortale!**

- Non toccare l'apparecchio con mani bagnate o umide.
- Non mettere in funzione qualsiasi apparecchio in presenza di un cavo o di una spina danneggiata o dopo aver notato che l'apparecchio funziona male, è caduto o è stato in qualche modo danneggiato. Smaltire l'apparecchio o restituirlo al centro di assistenza autorizzato per una verifica e/o una riparazione per evitare qualsiasi rischio.
- Se il cavo di alimentazione è danneggiato, deve essere sostituito dal fornitore o dal suo agente di assistenza o dalle persone parimenti qualificate per evitare un rischio.

- Non allungare il cavo di alimentazione e non mettere il cavo in tensione.
- Non inserire o permettere ad oggetti estranei di entrare in qualsiasi apertura in ingresso o in uscita in quanto ciò potrebbe provocare scossa elettrica, incendio o danno all'apparecchio.
- Spegnere tutti i comandi prima di scollegare. Disconnettere dalla presa a muro se non si utilizza per lunghi periodi di tempo.
- Non aprire l'alloggiamento dell'apparecchio. Per evitare il rischio di scossa elettrica, tutta l'assistenza e/o le riparazioni devono essere effettuati da un centro di assistenza autorizzato Vornado. Utilizzare solo parti di ricambio originali.
- Per motivi di sicurezza, scollegare l'apparecchio in caso di temporale.

### AVVERTENZA

**Rischio da installazione errata. Prestare attenzione a seguire queste linee guida per evitare rischi a persone o cose.**

- Assicurarsi che la presa a muro sia facilmente accessibile in modo che l'apparecchio possa essere disconnesso in caso di emergenza.
- Per ridurre il rischio di incendio o di scossa elettrica, non utilizzare questo prodotto con qualsiasi altro dispositivo di controllo velocità esterno (stato solido).
- Per ridurre il rischio di incendio, scossa elettrica e danni alle persone, non utilizzare su una finestra.

### AVVERTENZA

**Rischio per i bambini e altre persone a rischio.**

- L'apparecchio può essere utilizzato da bambini di almeno 8 anni e da persone con ridotte capacità fisiche, sensoriali o mentali, o che non abbiano esperienza o conoscenza dell'apparecchio,

a condizione che lo stesso sia utilizzato sotto la supervisione e l'istruzione di un adulto sull'uso del prodotto in modo sicuro e comprendendo i rischi a cui si è soggetti.

- I bambini non devono giocare con l'apparecchio.
- La pulizia e la manutenzione dell'utente non devono essere effettuate da bambini senza la supervisione di un adulto.
- L'apparecchio e il materiale dell'imballaggio non sono giocattoli e devono essere tenuti lontano dalla portata dei bambini.

#### Informazioni relative alla dichiarazione di conformità CE

Questo apparecchio è conforme a tutte le relative e necessarie direttive della CE, comprese le seguenti:

- Low Voltage Directive (LVD)
- Electromagnetic Compatibility Directive (EMC)
- Energy Related Product Directive (ErP)
- Restriction of Hazardous Substances Directive (RoHS)
- Registration, Evaluation, Authorisation, and Restriction of Chemicals (REACH)

**La dichiarazione di conformità completa è stata registrata e può essere richiesta all'importatore.**



**RICICLAGGIO DELL'IMBALLAGGIO:** L'imballaggio protegge l'apparecchio dai danni di trasporto. I materiali dell'imballaggio sono stati selezionati dal punto di vista della loro affidabilità ambientale e della tecnologia di smaltimento e sono per questo riciclabili.

- Smaltire tutti i materiali dell'imballaggio in maniera responsabile dal punto di vista ambientale.



#### Riciclaggio apparecchiature elettriche ed elettroniche

- **Smaltimento dei rifiuti di apparecchiature elettriche ed elettroniche:** Questo marchio indica che il prodotto non deve essere smaltito con gli altri rifiuti domestici nei paesi dell'UE. Per prevenire un possibile danno all'ambiente o alla salute umana derivante da uno smaltimento incontrollato, riciclare in maniera responsabile per promuovere il riutilizzo sostenibile delle risorse materiali. Per restituire il dispositivo usato, servirsi dei sistemi di reso e di raccolta o contattare il rivenditore presso il quale il prodotto è stato acquistato. Questi ultimi possono ritirare il prodotto per realizzare un riciclaggio sicuro per l'ambiente.



#### Riciclaggio della batteria

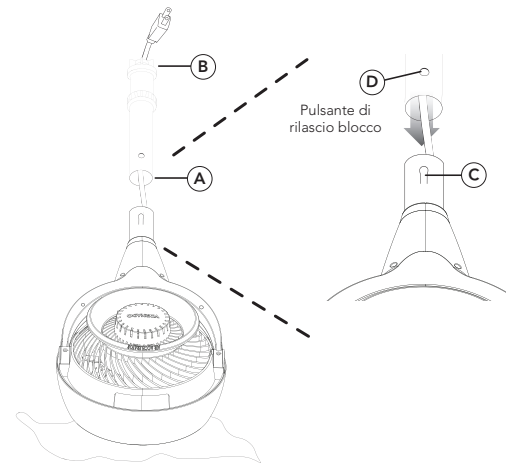
- **SMALTIMENTO DELLA BATTERIA** - Le batterie devono essere smaltite separatamente dall'apparecchio e non con i rifiuti domestici. Smaltire tutti i tipi di batterie tramite un centro di smaltimento approvato o il servizio di raccolta rifiuti del vostro comune. Osservare i regolamenti attualmente in vigore. In caso di dubbi, contattare il servizio di smaltimento rifiuti della vostra zona.
- Ogni consumatore è obbligato per legge a consegnare tutte le batterie e gli accumulatori, indipendentemente dal fatto che possano o meno contenere sostanze\* nocive, ad un punto di raccolta della città o degli operatori del settore, in modo che possano essere smaltiti in maniera sicura per l'ambiente.

\*Identificazione Cd = cadmio; Hg = mercurio; Pb = piombo

# COME INIZIARE

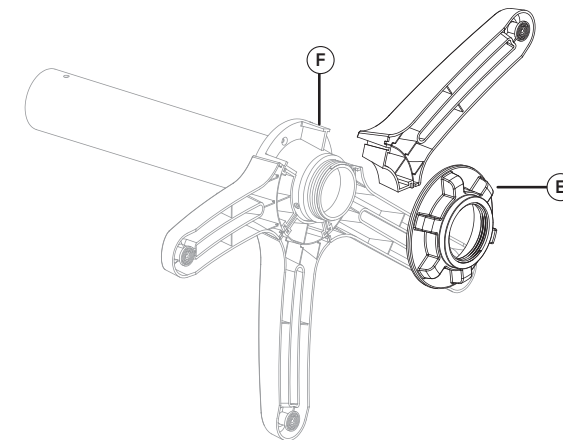
**Installazione della testa del circolatore** (solo per il modello 6803DC)  
*Non è richiesto nessun attrezzo!*

1. Capovolgere delicatamente la testa del circolatore per terra su un panno morbido per evitare graffi o danni all'unità. Inserire il cavo di alimentazione nella parte superiore del tubo (A) e tirare fino alla parte inferiore (B). Allineare il pulsante di rilascio blocco (C) sulla testa del circolatore con il foro (D) posizionato sul tubo. Spingere il tubo sulla testa del circolatore fino a quando il pulsante di rilascio blocco clicca al suo posto.



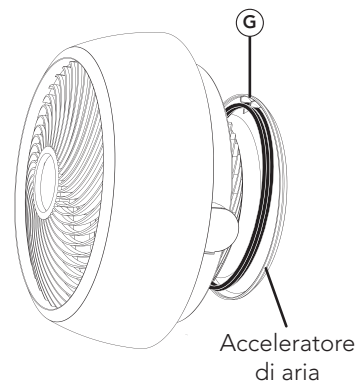
**Assemblaggio della base di appoggio** (solo per il modello 6803DC)

1. Il tubo superiore e quello inferiore sono pre-assemblati, con il dado di fissaggio (E) assicurato sul lato inferiore della base. Ruotare il dado di fissaggio in senso antiorario per rimuovere.
2. I piedini sono progettati per essere inseriti nelle scanalature (F) sul lato inferiore del coperchio della base. Assemblare tutti i piedini sul tubo, quindi rimontare il dado di fissaggio ruotando in senso orario per bloccare al loro posto tutti i piedini.



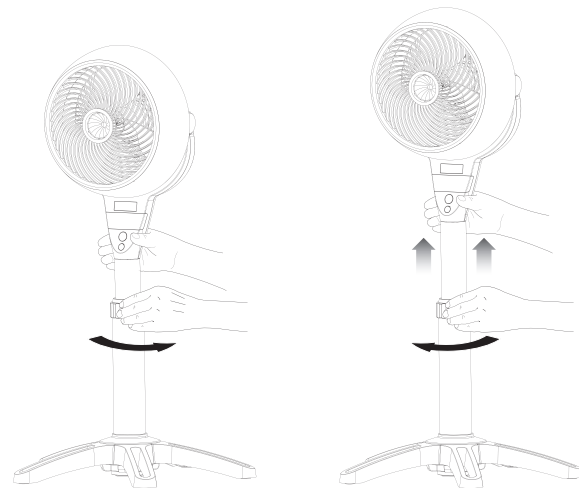
## Gestione del cavo

1. Avvolgere il cavo attorno all'acceleratore di aria, situato sulla parte posteriore dell'unità. Fissare il cavo con tre clip (G) situate nelle posizioni delle ore 2, 6 e 10.



## Regolazione dell'altezza (solo per il modello 6803DC)

1. Prima di regolare l'altezza della circolatore, reggere la testa del circolatore con una mano. Utilizzare l'altra mano per allentare il perno di regolazione dell'altezza ruotandolo delicatamente in senso antiorario.
2. Alzare o abbassare lentamente il tubo all'altezza desiderata e fissarlo nella posizione ruotando il perno di regolazione in senso orario fino a fissarlo.



# CARATTERISTICHE

## FLUSSO ARIA ORIENTABILE

Dirige il flusso d'aria dove si desidera.

## TIMER A RISPARMIO ENERGETICO

Timer 1-12 ore.

## COMANDI TOUCH (99 VELOCITÀ)

Un'impostazioni di velocità per ogni livello di comfort.

## TELECOMANDO

Comodità a portata di mano.



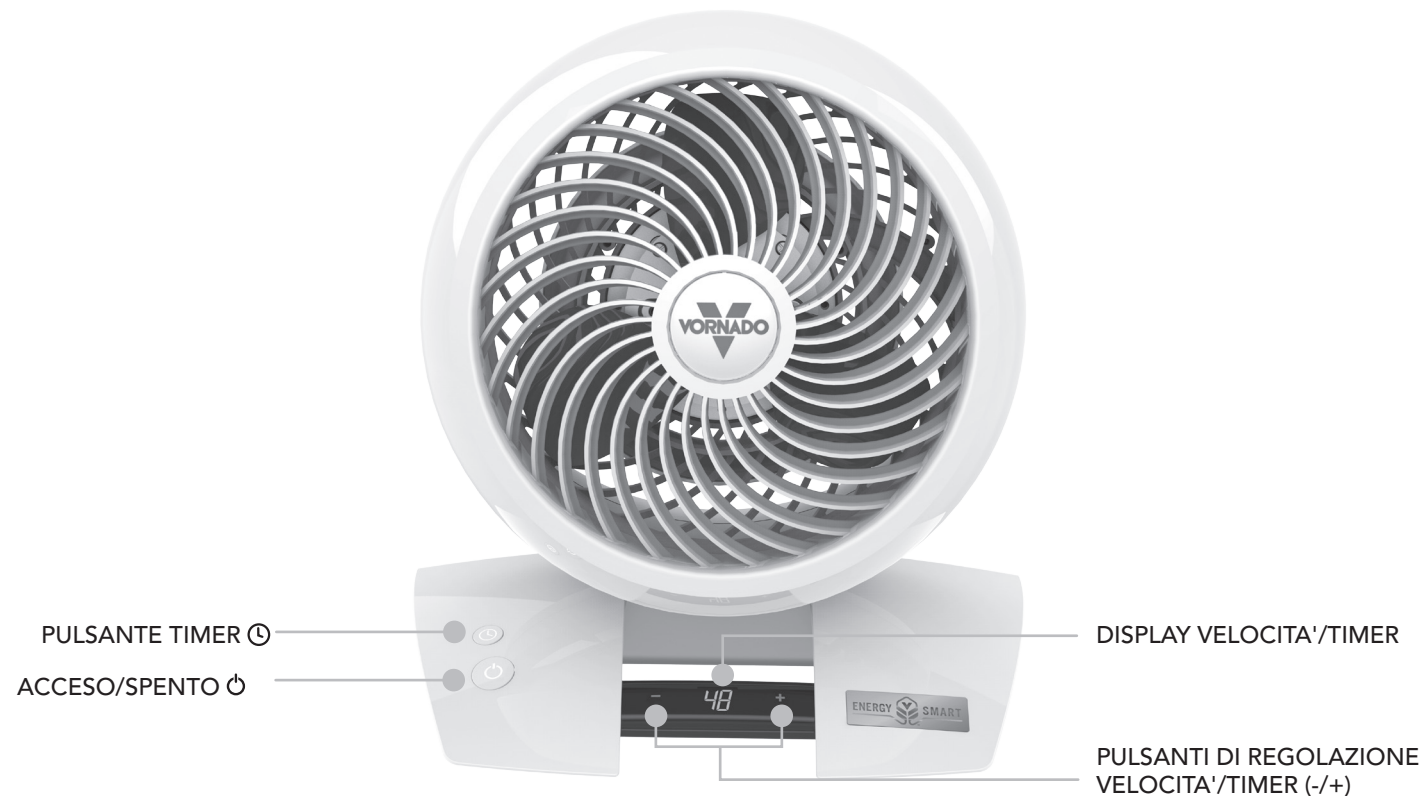
**GESTIONE DEL CAVO**  
Involucro del cavo integrato.

**DESIGN CON PROTEZIONE PER LE DITA**  
Resiste alle dita curiose.

**PIEDI IN SILICONE**  
Piedi antimacchia aggiunti per conferire stabilità.

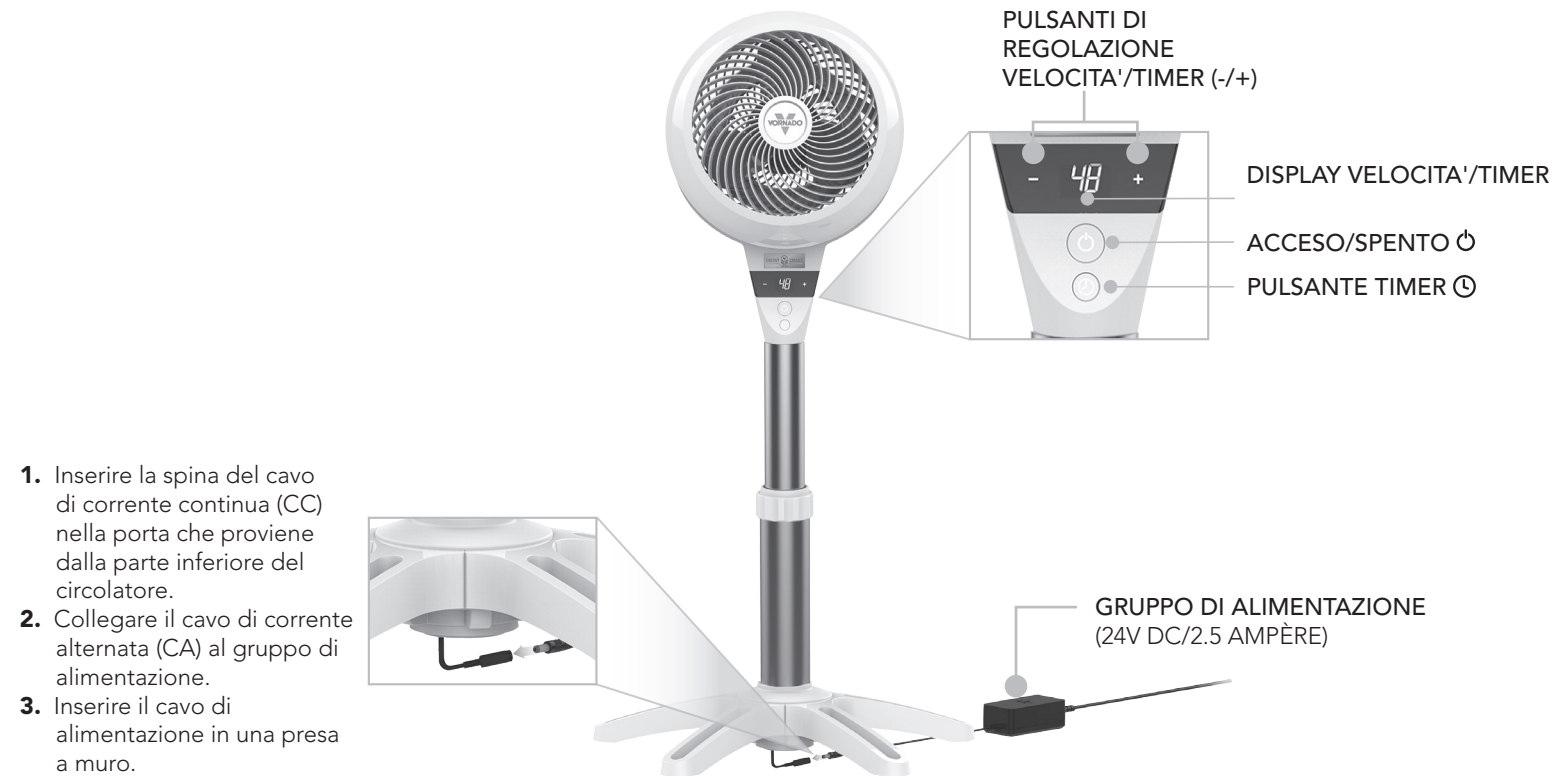
# COMANDI

Solo per i modelli 5303DC, 6303DC




# COMANDI

Solo per il modello 6803DC






# COME UTILIZZARE

1. Toccare per accendere .

 Il vostro circolatore ritorna all'ultima impostazione salvata in memoria.

2. Selezionare la velocità desiderata premendo **-/+**. Premere e tenere premuto **-/+** per regolare la velocità verso l'alto o verso il basso con 5 incrementi di velocità. La velocità è indicata dal numero visualizzato sul display Velocità/Timer.

3. Premere  per attivare il timer.  Si illumina e il display Velocità/Timer lampeggia visualizzando **0** per indicare la modalità di regolazione del timer. In questa modalità, selezionare il tempo a intervalli di un'ora premendo **-/+**. Dopo tre secondi, il lampeggiamento termina e il display mostra le ore per indicare che è stato impostato il timer. Il display ritorna all'ultima velocità selezionata. Toccare il  pulsante per sapere rapidamente quante ore rimangono sul timer.



4. Per regolare il timer, ripetere il punto tre.
5. Per annullare il timer, ripetere il punto tre e impostare il timer a **0**.

## GESTIONE DEL CAVO

1. Avvolgere il cavo attorno all'acceleratore di aria, situato sulla parte posteriore dell'unità. Fissare il cavo con tre clip situate nelle posizioni corrispondenti alle ore 2, 6 e 10.

# TELECOMANDO


E' necessario un cacciavite. 

Il telecomando del vostro circolatore include una (1) batteria formato moneta 3V CR2032. La batteria è preinstallata. Rimuovere la linguetta della batteria prima dell'uso.

1. Per la sostituzione della batteria, il telecomando richiede una batteria formato moneta 3V CR2032. Utilizzare il giusto tipo di batteria - stesso formato e potenza - per questo apparecchio.
2. Per sostituire la batteria, aprire il vano batteria sul lato posteriore del telecomando (dovrete allentare la piccola vite sul vano utilizzando un cacciavite a stella n. 1). Se necessario, pulire i contatti della batteria ed anche quelli del dispositivo prima di installare la batteria. Rimuovere qualsiasi protezione in plastica dalla batteria e collocare la batteria nel telecomando con il lato + rivolto verso l'esterno. Assicurarsi che la batteria sia installata correttamente per quanto riguarda la polarità. Rimontare il coperchio della batteria e avvitare.

**Nota:** Rimuovere la batteria dal telecomando quando non in uso per un periodo di tempo esteso e rimuovere sempre la batteria scarica immediatamente e sostituirla con una nuova. Non lasciare la batteria scarica nel telecomando.



ACCESO/SPENTO  


PULSANTI DI  
REGOLAZIONE  
VELOCITA'/TIMER  
(-/+)

PULSANTE TIMER  


Le funzioni del telecomando sono le stesse del pannello di controllo sul circolatore.

Il telecomando richiede un percorso a vista libero per permettere al segnale di essere ricevuto dal circolatore. Puntare il telecomando in direzione del pannello del display per una migliore ricezione.

# RIMOZIONE DELLA GRIGLIA E DELLA LAMA

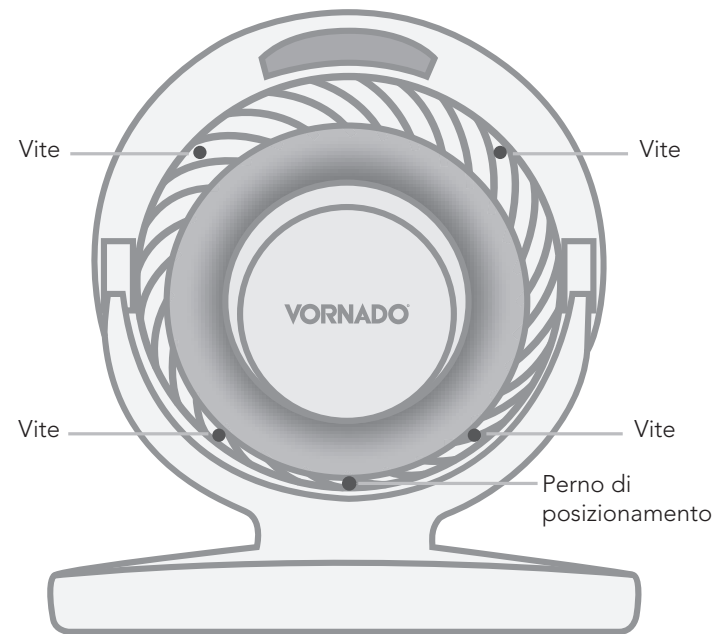
**AVVERTENZA:** Per ridurre il rischio di scossa elettrica e di danni alle persone, disconnettere il circolatore prima di rimuovere la lama.

## GRIGLIA RIMOVIBILE

1. Con un cacciavite a stella, rimuovere la griglia svitando le 4 viti posizionate lungo il perimetro della griglia di ingresso che si trovano approssimativamente nelle posizioni delle ore 2, 5, 7 e 10. In questo modo si sgancerà la griglia. Per rimontare - posizionare la griglia in modo che il logo al centro della griglia sia diritto. Allineare il perno di posizionamento per riposizionare la griglia. Una volta allineato rimettere le viti.
2. Spolverare o lavare con un detersivo neutro per lavastoviglie. Non mettere la griglia in lavastoviglie. Il calore eccessivo può deformare la plastica.

## RIMOZIONE DELLA LAMA

1. E' possibile rimuovere la lama se qualcosa dovesse accidentalmente rimanere avvolta attorno all'albero del motore. Prima di tutto, rimuovere il dado dall'albero. Girare il dado in senso orario per allentare. Tirare la lama fuori dall'albero. Nel rimontare, la lama sull'albero può andare soltanto in una direzione. Assicurarsi che il lato piatto dell'albero si allinei direttamente con il lato piatto corrispondente sulla presa della lama. Spingere la lama fino all'albero fino in fondo. Non utilizzare un martello poiché potrebbe provocare danni. Rimettere il dado.
2. Pulire la lama con un panno umido. Se il vostro circolatore d'aria è utilizzato in un ambiente grasso, come una cucina, può essere necessario un sapone neutro o un comune detergente per la casa. Non utilizzare solventi.



# PULIZIA

Poiché il vostro apparecchio sposta una quantità notevole di aria, avrà bisogno di una pulizia periodica per rimuovere lanugine, polvere e sporco. Non pulire il prodotto in modo diverso da quello segnalato nel presente manuale.

## AVVERTENZA

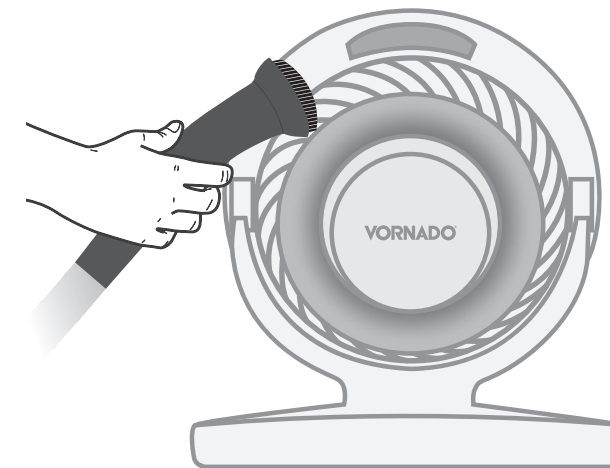
**Attenersi alle seguenti informazioni di sicurezza per evitare rischi e danni materiali.**

- Scollegare il vostro apparecchio prima di pulirlo.
- Non utilizzare benzina, diluenti, solventi, ammoniaca o altri prodotti chimici per pulire.
- Non tentare di riparare o di sostituire le parti.



Il motore è stato lubrificato in maniera permanente e non richiede ulteriore lubrificazione.

1. Spolverare o strofinare il circolatore con un panno umido.
2. Utilizzare l'accessorio spazzola del vostro aspirapolvere per aspirare tutta la polvere accumulata.



# RISOLUZIONE PROBLEMI

## PROBLEMA

## CAUSA E SOLUZIONE POSSIBILI

<b>L'apparecchio non si accende.</b>	<p>L'apparecchio non è collegato alla rete. Collegare il cavo di alimentazione alla presa elettrica.</p> <p>Assicurarsi che sia stata selezionata l'impostazione velocità del ventilatore dell'apparecchio.</p> <p>L'apparecchio è danneggiato o necessita di riparazione. Non utilizzare e disconnettere. Contattare il servizio clienti per assistenza.</p> <p>La presa è consumata o danneggiata. Provare un'altra presa o contattare un elettricista qualificato.</p>
<b>Il flusso d'aria è debole o lento.</b>	<p>L'apparecchio è fermo all'impostazione di bassa velocità. Regolare ad una impostazione più alta di velocità.</p> <p>Il flusso d'aria è ostruito. Rimuovere l'ostruzione.</p> <p>Regolare la direzione del flusso d'aria verso l'utente.</p>
<b>L'interruttore differenziale (GFCI) è scattato.</b>	<p>In determinate circostanze, può capitare che un interruttore differenziale (GFCI) scatti quando l'utente cambia le velocità su un circolatore Vornado. In tal caso, passare ad una presa che non sia collegata ad un dispositivo differenziale (GFCI). Ciò potrebbe essere causato anche da una presa differenziale (GFCI) debole o difettosa. Contattare un elettricista qualificato per controllare la presa differenziale (GFCI).</p>
<b>Il telecomando non funziona.</b>	<p>La batteria è esaurita. Sostituirla con la nuova batteria 3 volt CR2032. (Consultare TELECOMANDO.)</p> <p>Il telecomando richiede un percorso a vista libero per permettere al segnale di essere ricevuto dall'apparecchio. Posizionare l'apparecchio in modo che l'obiettivo del ricevente (all'interno del logo Vornado "V") sia visibile dal telecomando.</p>

# INFORMAZIONI SUL PRODOTTO

Modello(i):			5303DC-EU	6303DC-EU
Descrizione	Modello(i):	Unità	Valore	Valore
Tensione in entrata		V	220-240	220-240
Frequenza di tensione della rete elettrica		Hz	50	50
Classe di protezione		Class	IPX0	IPX0
Dimensioni		W x H x D (cm)	18 x 30 x 27	21 x 37 x 31
Peso		Approx. (g)	1,805	2,522
Potenza in ingresso del ventilatore	P	Watts (W)	31.10	52.51
Portata massima del ventilatore	F	m <sup>3</sup> /min	22.68	31.37
Valore servizio	SV	(m <sup>3</sup> /min)/W	0.73	0.60
Consumo potenza di standby	P <sub>SB</sub>	Watts (W)	0.41	0.35
Livello suono emesso	L <sub>WA</sub>	dB(A)	58	57
Velocità massima dell'aria	c	m/sec	3.21	4.62
Misurazione standard per valore di servizio	IEC 60879: 1986 corr(1992) GB/T 13380-2007			
Dettagli di contatto per avere ulteriori informazioni	Vornado Air LLC 415 East 13th Street Andover, KS 67002 USA			





# GARANZIA LIMITATA\*

Noi ci aspettiamo che questo prodotto sia perfetto. Se non siete soddisfatti di questo prodotto, fatecelo sapere.

## \*Limitata condizioni e termini di garanzia e riparazione

Si riceverà una garanzia di dieci anni volontaria dalla data di acquisto su materiali e lavorazione del prodotto. La garanzia del produttore estesa è valida per tutti i clienti in Europa. Le richieste di garanzia legale non sono interessate da questo regolamento supplementare.

Il produttore non si assume alcuna responsabilità per danni causati dal mancato rispetto delle istruzioni o da un uso improprio dell'apparecchio. Una qualsiasi di tali azioni invaliderà la garanzia del prodotto.

Tale garanzia non si applicherà ai difetti che risultino da cattivo uso del Prodotto, modifiche, alterazioni, riparazioni o manutenzione del Prodotto da parte di personale diverso da Vornado o non autorizzato da Vornado, maltrattamento, manutenzione impropria, uso commerciale del Prodotto, danni che si verificano durante la spedizione o che sono attribuiti a forza maggiore.

Si raccomanda di non effettuare alcuna modifica non autorizzata al prodotto, di non farlo riparare da un centro non autorizzato, di non utilizzare parti di ricambio non approvate. In tali casi, le conseguenze non saranno coperte dai servizi di assistenza o dalle garanzie del prodotto.

Le esclusioni sono costituite da quei danni causati da uso improprio o uso del

prodotto non conforme a quello previsto dal manuale. Ad esempio, a titolo indicativo ma non esaustivo: se il prodotto è esposto a umidità, temperature estreme, condizioni ambientali avverse, corrosione, ossidazione, se vengono rovesciati liquidi sopra il dispositivo, se sostanze chimiche vengono a contatto con l'apparecchio o se si verificano altre condizioni che non sono direttamente imputabili al produttore.

Per l'accettazione da parte del servizio di assistenza è necessario fornire una ricevuta o una fattura.

Tutte le informazioni tecniche, i dati e le istruzioni per l'installazione, il collegamento ed il funzionamento contenuti in queste istruzioni per l'uso corrispondono alle ultime informazioni disponibili al momento della stampa.

I contenuti di questo manuale possono differire leggermente dal prodotto reale. Osservare tutte le integrazioni aggiuntive.

Tutti i nomi di società e prodotti sono marchi di fabbrica dei loro rispettivi proprietari. © Tutti i diritti riservati.

Consultare il retro copertina del manuale di istruzioni per informazioni l'importatore e il vostro centro di assistenza autorizzato.

© 2017 Vornado Air LLC Andover, KS 67002 U.S. Domanda di brevetto depositata. Specifiche soggette a modifiche senza preavviso. Vornado® è un marchio di fabbrica di proprietà di Vornado Air LLC.

# ÍNDICE

Instruções Importantes .....	82	Remoção Da Grelha E Da Pá .....	92
Introdução .....	85	Limpeza .....	93
Funções .....	87	Resolução De Problemas .....	94
Controles.....	88	Informações Do Produto .....	95
Como Usar .....	90	Garantia.....	96
Controle Remoto .....	91		

# INSTRUÇÕES IMPORTANTES

## LEIA TODAS AS INSTRUÇÕES ANTES DE USAR.

Este manual do proprietário e quaisquer outros folhetos adicionais são considerados parte do produto. Eles contêm informações importantes sobre segurança, uso e descarte. Antes de usar o produto, favor se familiarizar com todas as instruções operacionais e de segurança. Favor manter todos os documentos para referência futura e repassar os documentos, juntamente com o produto, para qualquer futuro proprietário. Favor consultar nosso website para ver a versão mais atual de nosso manual do proprietário.

As seguintes mensagens de Advertência são usadas ao longo deste guia:

### PERIGO

Indica um **ALTO** nível de risco que, se não for evitado, pode resultar em lesão grave ou morte. Favor prestar atenção especial a quaisquer instruções dadas, a fim de evitar esse enorme risco.

### CUIDADO

Indica um **MÉDIO** nível de risco que, se não for evitado, pode resultar em morte, lesão grave, lesão pequena ou moderada ou danos materiais em potencial.

### INSTRUÇÕES IMPORTANTES

Indicam informações adicionais que ajudarão no manuseio do aparelho.

**USO PRETENDIDO:** Este produto destina-se a circular o ar apenas em espaços residenciais fechados. Este produto não se destina a aplicações comerciais ou industriais.

O fabricante não se responsabiliza por danos causados pelo não seguimento destas instruções ou pelo uso impróprio do produto. Ações do tipo poderão invalidar a garantia do produto.

**CUIDADO** – Ao usar aparelhos elétricos, precauções básicas devem sempre ser seguidas a fim de reduzir o risco de incêndio, choque elétrico e lesões pessoais, incluindo:

### CUIDADO

**Risco de uso e manuseio impróprio. Favor seguir as instruções abaixo para evitar riscos pessoais ou materiais.**

- Não use este produto ao ar livre ou diretamente exposto a condições climáticas.
- Não use este dispositivo em climas tropicais úmidos. Se o produto for levado de uma área fria para uma área quente (ex., durante o transporte), pode haver condensação dentro da unidade. Deixe o produto atingir a temperatura ambiente antes de usá-lo.
- Não use o produto em superfícies molhadas. Não use este produto dentro de banheiras ou chuveiros nem o coloque em pontos onde ele possa cair dentro de banheiras, pias, piscinas ou outros recipientes que contenham água.
- Não mergulhe o produto em água nem deixe respingar água dentro do compartimento do motor.
- Não use o produto perto de fornos, lareiras, fogões ou outras fontes de calor de alta temperatura.
- Não posicione este produto próximo demais de cortinas e outros tecidos soltos, pois eles podem ser puxados para dentro do produto, interrompendo o fluxo de ar e danificando o motor.

- Não carregue o produto pelo fio, nem use o fio como maçaneta, pois isso pode danificar a fiação interna. Não tire o produto da tomada puxando pelo fio, nem estique demais o fio. Para tirar da tomada, segure o plugue, não o fio.
- Não deixe o fio passar debaixo de tapetes. Não cubra o fio com capachos, passadeiras ou outro tipo de tapete. Não deixe o fio passar debaixo de móveis ou outros eletrodomésticos. Coloque o fio em um lugar onde as pessoas não passem e onde ninguém possa tropeçar nele. Para evitar risco de tropeços, guarde/enrole o fio com segurança.

**CONEXÃO ELÉTRICA:** Apenas uma saída 230V~50Hz CA adequada pode ser usada para conectar com a rede pública.

### PERIGO

**Risco de choque elétrico. O contato com fios ou componentes sob voltagem pode ser potencialmente fatal!**

- Não toque o produto com as mãos molhadas ou úmidas.
- Não opere qualquer aparelho se o plugue ou o fio estiverem danificados, após problemas de funcionamento do aparelho, ou se o aparelho tiver caído ou sido danificado de alguma forma. Descarte o produto ou leve-o a uma assistência autorizada para exame e/ou reparo para evitar riscos.
- Se o cabo de energia for danificado, ele deve ser substituído pelo fabricante, seu agente de serviço ou pessoas qualificadas, a fim de evitar riscos.
- Não estique nem tensione o fio.
- Não insira ou permita que objetos estranhos entrem em qualquer abertura de entrada ou saída, pois isso poderá causar choque elétrico ou incêndio, ou danificar o aquecedor.
- Desligue todos os controles antes de tirar o aparelho da tomada. Tire o produto da tomada se for deixá-lo sem uso por períodos de

tempo prolongados.

- Não abra o compartimento do aparelho. Para evitar risco de choque, todos os reparos devem ser feitos por um Representante Autorizado Vornado. Apenas peças originais devem ser usadas.
- Por motivo de segurança, sempre tire o aparelho da unidade em caso de tempestade.

### CUIDADO

**Risco de Instalação Imprópria. Favor seguir as instruções abaixo para evitar riscos pessoais ou materiais.**

- Certifique-se de que a tomada esteja facilmente acessível para que o aparelho possa ser desconectado em caso de emergência.
- Para reduzir o risco de incêndio ou choque elétrico, não use este produto com dispositivos de controle de velocidade externo (em estado sólido).
- Para reduzir o risco de incêndio ou choque elétrico, além de lesões, não utilize o produto em janelas.

### CUIDADO

**Risco para crianças e outras pessoas em grupos de risco.**

- Este aparelho pode ser usado por crianças acima de 8 anos de idade e por pessoas com capacidade física, sensorial ou mental reduzida ou falta de experiência e conhecimento, caso recebam supervisão e orientação adequadas com relação ao uso do aparelho de forma segura, e que entendam os riscos envolvidos.
- Crianças não devem brincar com o aparelho.
- Crianças não devem limpar o aparelho sem supervisão.
- Este produto e sua embalagem não são brinquedos, e devem ser mantidos fora do alcance de crianças.

**Informações referentes à Declaração de Conformidade EC**  
Este produto está em conformidade com todas as diretivas EC relevantes e necessárias, incluindo:

- Low Voltage Directive (LVD)
- Electromagnetic Compatibility Directive (EMC)
- Energy Related Product Directive (ErP)
- Restriction of Hazardous Substances Directive (RoHS)
- Registration, Evaluation, Authorisation, and Restriction of Chemicals (REACH)

**A Declaração de Conformidade completa está registrada, e pode ser obtida com o importador.**



**RECICLAGEM DA EMBALAGEM:** A embalagem protege o aparelho contra danos durante o transporte. Os materiais da embalagem são selecionados do ponto de vista de impacto ambiental e tecnologia de descarte e, portanto, são recicláveis.

- Descarte todos os materiais de embalagem de forma ambientalmente responsável.



**Reciclagem WEEE**

- **Descarte de equipamentos elétricos e eletrônicos:** Esta marca indica que este produto não deve ser descartado junto com outros resíduos domésticos na União Europeia. Para evitar possíveis danos ao meio ambiente ou à saúde humana decorrentes do descarte de

resíduos não controlado, recicle-o de forma responsável, a fim de promover o uso sustentável de recursos materiais. Para devolver seu dispositivo usado, favor usar os sistemas de coleta e devolução ou entrar em contato com a loja onde o produto foi adquirido. A loja irá encaminhar o produto para reciclagem ambiental segura.



**Reciclagem de Pilhas**

- **DESCARTE DE PILHAS** - As pilhas devem ser descartadas separadamente do produto e não devem ser misturadas ao lixo doméstico. Descarte todos os tipos de baterias através de um centro de descarte aprovado ou no centro de coleta de lixo de sua comunidade. Observe as regulamentações aplicáveis atualmente. Em caso de dúvida, favor entrar em contato com um centro de descarte.
- Todos os consumidores são legalmente obrigados a levar todas as baterias e acumuladores, não importa se eles contenham substâncias nocivas\* ou não, a um ponto de coleta da cidade ou de um estabelecimento comercial, para que possam ser descartados por um método ambientalmente amigável.

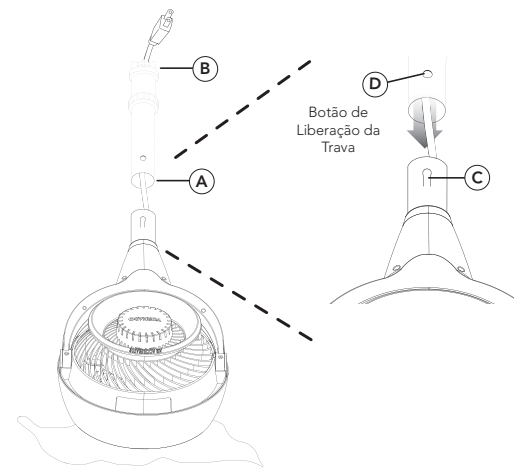
\*Identificação Cd = cádmio; Hg = mercúrio; Pb = chumbo

# INTRODUÇÃO

**Instalando o Cabeçote do Circulador** (Apenas Modelo 6803DC)

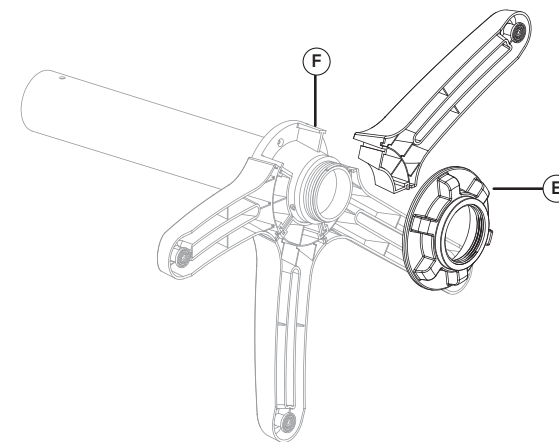
*Não precisa de ferramentas!*

1. Coloque gentilmente o cabeçote do circulador com a face voltada para baixo sobre um pano macio para evitar riscos ou danos ao aparelho. Insira o fio de energia no topo da coluna (A) e puxe pela parte inferior (B). Alinhe o Botão de Liberação da Trava (C) no cabeçote do circulador com o orifício (D) localizado na coluna. Empurre a coluna no cabeçote do circulador até que o Botão de Liberação da Trava se encaixe no lugar.



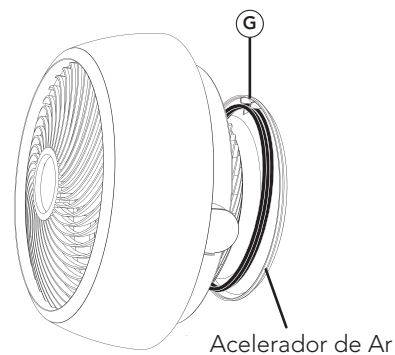
**Montagem no Suporte** (Apenas Modelo 6803DC)

1. A coluna superior e a coluna inferior são pré-montadas, com a porca de aperto (E) presa na parte inferior da base. Gire a porca de aperto em sentido anti-horário para remover.
2. Os pés devem se encaixar nas ranhuras (F) na parte inferior da tampa da base. Monte todos os pés na coluna, depois troque a porca de aperto girando em sentido horário para fixar todos os pés no lugar.



## Manejo do Fio

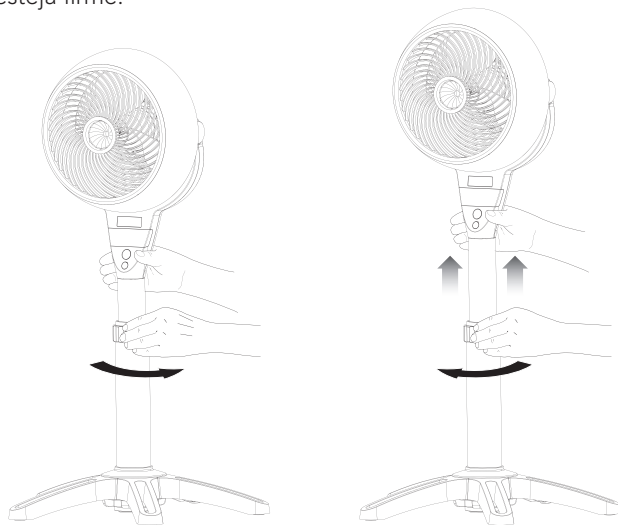
1. Enrole o fio em volta do Acelerador de Ar, localizado na parte de trás do aparelho. Prenda o fio com três cliques (G) localizados nas posições 2, 6 e 10 do relógio.



Acelerador de Ar

## Ajustando a Altura (Apenas Modelo 6803DC)

1. Antes de ajustar a altura do circulador, apoie o cabeçote em uma das mãos. Use a outra mão para soltar a gola de ajuste de altura, virando-a gentilmente em sentido anti-horário.
2. Levante ou abaixe lentamente a coluna na altura desejada e fixe a posição girando a gola de ajuste em sentido horário até que esteja firme.



# FUNÇÕES

## FLUXO DE AR DIRECIONÁVEL

Direcione o fluxo de ar conforme desejado.

## TIMER PARA ECONOMIA DE ENERGIA

Timer de 1-12 horas.

## CONTROLES SENSÍVEIS AO TOQUE (99 VELOCIDADES)

Uma configuração de velocidade para todos os níveis de conforto.

## CONTROLE REMOTO

Conveniência na ponta dos dedos.



**MANEJO DO FIO**  
Porta-fio integrado.

**DESIGN AMIGÁVEL AOS DEDOS**  
Resiste a dedos curiosos.

**PÉS DE SILICONE**  
Contém pés que não marcam para maior estabilidade.

# CONTROLES

Apenas Modelos 5303DC, 6303DC



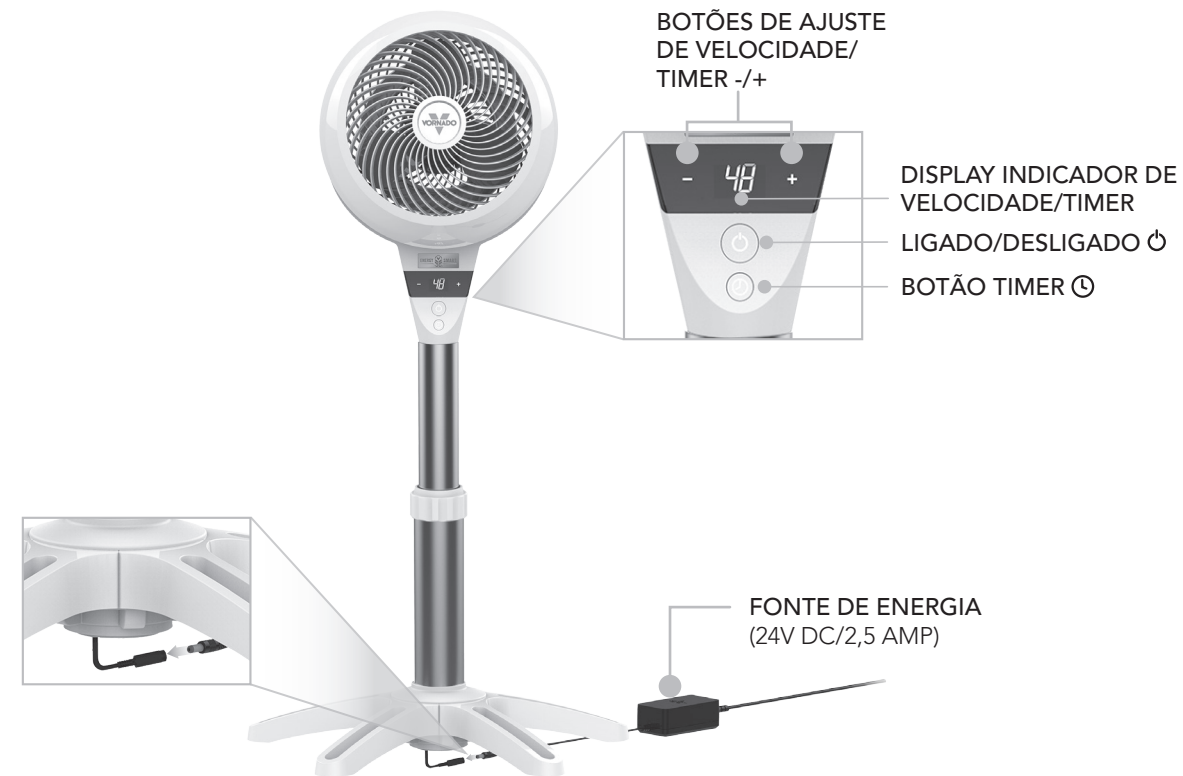
BOTÃO TIMER ⌚  
LIGADO/DESLIGADO ⏻

DISPLAY INDICADOR  
DE VELOCIDADE/  
TIMER

BOTÕES DE AJUSTE DE  
VELOCIDADE/TIMER -/+

# CONTROLES

Apenas Modelo 6803DC



BOTÕES DE AJUSTE  
DE VELOCIDADE/  
TIMER -/+

DISPLAY INDICADOR DE  
VELOCIDADE/TIMER

LIGADO/DESLIGADO ⏻


BOTÃO TIMER ⌚

FONTE DE ENERGIA  
(24V DC/2,5 AMP)




1. Insira o plugue do fio de energia CC na porta que sai da parte inferior do circulador.
2. Conecte o fio de energia CA na fonte de energia.
3. Ligue o fio em uma tomada.

# COMO USAR

## 1. Toque para ligar

 O circulador retorna à última configuração salva na memória.

2. Selecione a velocidade desejada, pressionando **-/+**. Pressione e segure **-/+** para ajustar a velocidade para cima ou para baixo em incrementos de 5. A velocidade é indicada pelo número exibido no Display Indicador de Velocidade/Timer.

3. Pressione  para ativar o timer. O  botão acende e o Display Indicador de Velocidade/Timer pisca em **0** para indicar Modo de Ajuste de Timer. Com o aparelho nesse modo, selecione o tempo em intervalos de uma hora, pressionando **-/+**. Depois de três segundos, o aparelho para de piscar e o display exibe as horas para indicar que o timer está configurado. O display retorna à última velocidade selecionada. Toque  para saber rapidamente quantas horas ainda restam no timer.



4. Para ajustar o timer, repita o Passo Três.

5. Para cancelar o timer, repita o Passo Três e ajuste o timer para **0**.

## MANEJO DO FIO

1. Enrole o fio em volta do Acelerador de Ar, localizado na parte de trás do aparelho. Prenda o fio com três cliques localizados nas posições 2, 6 e 10 do relógio.

# CONTROLE REMOTO

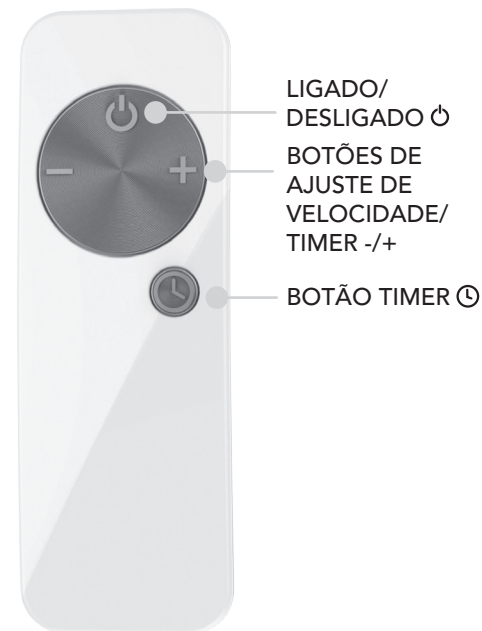
Chave de fenda necessária. 

O controle remoto do seu circulador inclui uma (1) bateria 3V CR2032 estilo moeda. A bateria vem pré-instalada. Remova o protetor da bateria antes do primeiro uso.

1. Para substituir a bateria, o controle remoto exige uma bateria 3V CR2032 estilo moeda. Use sempre o tamanho e o grau correto da bateria para este produto.

2. Para substituir a bateria, abra o compartimento na parte de trás do controle remoto (é necessário soltar o pequeno parafuso do compartimento usando uma chave de fenda Phillips Nº 1). Se necessário, limpe os contatos da bateria e do aparelho antes de instalar a nova bateria. Remova qualquer proteção plástica da bateria e coloque-a no controle remoto com o lado + voltado para fora. Certifique-se de que a bateria esteja instalada corretamente em termos de polaridade. Tampe o compartimento da bateria e aperte o parafuso.

**Nota:** Remova a bateria do controle remoto quando não for usá-lo por longos períodos de tempo, e sempre retire baterias gastas imediatamente, substituindo por uma nova. Não deixe baterias gastas dentro do controle remoto.



As funções do controle remoto são as mesmas que as do painel de controle do circulador.

O controle precisa estar alinhado ao aparelho para que o sinal seja recebido pelo circulador. Aponte o controle remoto no painel do display para melhor recepção.

# REMOÇÃO DA GRELHA E DA PÁ

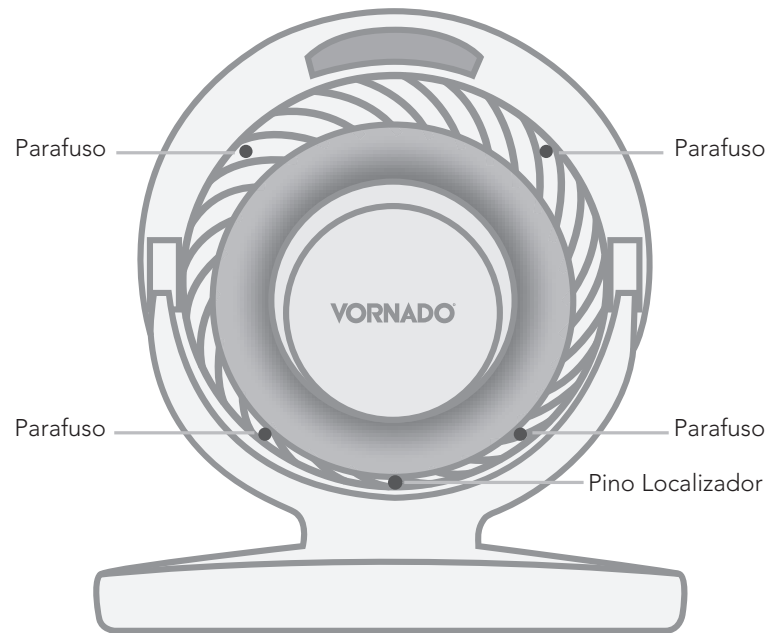
**ATENÇÃO:** Para reduzir o risco de choque elétrico e lesão pessoal, tire o aparelho da tomada antes de remover a pá.

## GRELHA REMOVÍVEL

1. Usando uma chave de fenda phillips, remova a grelha removendo os 4 parafusos localizados ao longo do perímetro da grelha interna nas posições de relógio aproximadas de 2, 5, 7 e 10. Isso irá liberar a grelha. Para fixar novamente, posicione a grelha de forma que o logo no centro da grelha fique reto. Alinhe o Pino Localizador para reconectar a grelha. Depois de alinhar, recoloque os parafusos.
2. Tire o pó ou lave usando um sabão de louça suave. Não coloque a grelha na lava-louças. O calor excessivo pode deformar o plástico.

## REMOÇÃO DAS PÁS

1. É possível remover a pá caso algum objeto fique acidentalmente preso no eixo do motor. Primeiro, remova a porca do eixo. Vire-a em sentido horário para soltá-la. Puxe a pá do eixo do motor. Ao colocar a pá de volta no lugar, ela só pode entrar no motor de um jeito. Certifique-se de que o lado plano do motor esteja diretamente alinhado com o lado plano correspondente do soquete da pá. Empurre a pá totalmente para dentro do eixo do motor até que a parte inferior saia. Não use martelos, pois isso poderia danificar os rolamentos. Reinstale a porca.
2. Limpe a pá com um pano úmido. Caso o Circulador de Ar seja usado em um ambiente com muita gordura, como uma cozinha, pode ser necessário usar um sabão ou produto de limpeza suave. Não use solventes.



# LIMPEZA

Como o produto movimenta um volume considerável de ar, precisará de limpeza regular para remover fiapos, pó e sujeiras. Nunca limpe o produto de outra forma além da indicada neste manual do proprietário.

## ⚠ CUIDADO

**Observe as seguintes informações de segurança para evitar riscos e danos a propriedade.**

- Tire o aparelho da tomada antes de limpá-lo.
- Não use gasolina, thinner, solventes, amônia ou outros produtos químicos para a limpeza.
- Não tente consertar ou substituir peças.



O motor tem lubrificação permanente, e não precisa de óleo.

1. Tire o pó ou limpe o circulador com um pano úmido.
2. Use a extensão escova de seu aspirador de pó para limpar a poeira acumulada do aparelho.



# RESOLUÇÃO DE PROBLEMAS

## PROBLEMA

## CAUSA POSSÍVEL E SOLUÇÃO

<b>O aparelho não liga.</b>	<p>O aparelho não está ligado à tomada. Ligue o aparelho a uma tomada elétrica.</p> <p>Verifique se a velocidade do ventilador está selecionada.</p> <p>O aparelho está danificado ou precisa de reparo. Pare de usar o aparelho e tire-o da tomada. Entre em contato com o Serviço de Atendimento ao Cliente para obter assistência.</p> <p>A tomada está desgastada ou danificada. Tente usar outra tomada ou entre em contato com um eletricista qualificado.</p>
<b>O fluxo de ar está fraco ou lento.</b>	<p>O aparelho está configurado para uma velocidade baixa. Ajuste-o para uma velocidade mais alta.</p> <p>O fluxo de ar está bloqueado. Remova a obstrução.</p> <p>Ajuste a direção do fluxo de ar em direção ao usuário.</p>
<b>O GFCI caiu.</b>	<p>Sob certas condições, é possível que uma saída GFCI (Interruptor de Circuito de Falhas no Solo) tropece quando o usuário está mudando a velocidade de um circulador Vornado. Nesse caso, troque para uma saída que não esteja conectada a um dispositivo GFCI. Isso também pode indicar uma saída GFCI fraca ou com defeito. Entre em contato com um eletricista qualificado para verificar a saída GFCI.</p>
<b>O controle remoto não está funcionando.</b>	<p>A bateria acabou. Troque-a por uma bateria CR2032 de 3 volts nova. (Consulte a seção CONTROLE REMOTO.)</p> <p>O controle precisa estar alinhado ao aparelho para que o sinal seja recebido. Posicione o aparelho de forma que a lente do receptor (localizada acima do logo "V" de Vornado) esteja visível a partir do controle remoto.</p>

# INFORMAÇÕES DO PRODUTO

Modelo(s):			5303DC-EU	6303DC-EU
Descrição	Símbolo	Unidade	Valor	Valor
Tensão de Entrada		V	220-240	220-240
Frequência da Tensão da Fiação		Hz	50	50
Classe de Proteção		Class	IPX0	IPX0
Dimensões		W x H x D (cm)	18 x 30 x 27	21 x 37 x 31
Peso		Approx. (g)	1,805	2,522
Entrada da Alimentação do Ventilador	P	Watts (W)	31.10	52.51
Máxima Taxa de Fluxo do Ventilador	F	m <sup>3</sup> /min	22.68	31.37
Valor do Serviço	SV	(m <sup>3</sup> /min)/W	0.73	0.60
Consumo de Energia em Espera	P <sub>SB</sub>	Watts (W)	0.41	0.35
Nível de Som Emitido	L <sub>WA</sub>	dB(A)	58	57
Máxima Velocidade do Ar	c	m/sec	3.21	4.62
Padrão de Medição para Valor do Serviço	IEC 60879: 1986 corr(1992) GB/T 13380-2007			
Detalhes do Contato para Obter Mais Informações	Vornado Air LLC 415 East 13th Street Andover, KS 67002 USA			





# GARANTIA LIMITADA\*

Esperamos que este produto seja perfeito. Se não estiver satisfeito com este produto, fale conosco.

## \*Limitado a garantia e condições de reparação e condições

Você receberá uma voluntária dez anos garantia da data de compra de materiais e de fabricação do produto. Este estendido a garantia do fabricante é válida para todos os clientes na Europa. As reivindicações de garantia legais não são afetadas pelo presente regulamento adicional.

O fabricante não se responsabiliza por danos causados pelo não seguimento destas instruções ou pelo uso impróprio do produto. Ações do tipo poderão invalidar a garantia do produto.

Esta garantia não se aplica a defeitos resultantes do uso incorreto do Produto, modificação, alteração, reparo ou serviço do Produto por qualquer pessoa não autorizada pela Vornado ou uma Assistência Técnica Autorizada, manuseio incorreto, manutenção inadequada, uso comercial do Produto, danos no transporte ou que possam ser atribuídos a eventos de força-maior.

Não recomendamos qualquer modificação não autorizada no produto, reparo por uma assistência técnica não autorizada ou uso de peças de reposição não aprovadas e quaisquer consequências de tais ações não serão cobertas por serviços de suporte ou garantias de produto.

As exclusões são danos pelo uso impróprio ou uso do produto sem seguir

o manual. Exemplos incluem, sem limitação: Se o produto for exposto a umidade, temperaturas extremas, condições ambientais, corrosão, oxidação, derramamento de líquidos sobre o aparelho, substâncias químicas que impactam o produto ou outros incidentes que não estejam dentro da faixa razoável de influência do fabricante.

O pré-requisito para processamento no departamento de serviço é apresentação de um recibo ou nota fiscal.

Todas as informações técnicas, dados e instruções para instalação, conexão e operação contidos nestas instruções de uso correspondem às mais recentes informações disponíveis à época da impressão.

O conteúdo deste manual pode diferir ligeiramente do produto real. Observe quaisquer suplementos adicionais.

Todos os nomes de empresa e nomes de produto são marcas registradas de seus respectivos proprietários. © Todos os direitos reservados.

Consulte a contracapa do manual do proprietário para obter as informações do importador e seu centro de serviço autorizado.

# CONTENIDO

Instrucciones Importantes .....	98	Cómo Quitar La Rejilla Y La Paleta .....	108
Primeros Pasos .....	101	Limpieza .....	109
Características.....	103	Resolución De Problemas .....	110
Controles.....	104	Información Sobre El Producto.....	111
Cómo Usar .....	106	Garantía.....	112
Control Remoto .....	107		



Desenho e engenharia nos Estados Unidos.

© 2017 Vornado Air LLC Andover, KS 67002 U.S. Patente Pendente. Especificações sujeitas a alteração sem aviso prévio. Vornado® é marca registrada de propriedade da Vornado Air LLC.

# INSTRUCCIONES IMPORTANTES

## LEA TODAS LAS INSTRUCCIONES ANTES DE USAR.

Esta guía para el propietario y otros encartes adicionales son considerados partes del producto. Contienen información importante sobre seguridad, uso, y desecho del producto. Antes de usar el producto, familiarícese con todas las instrucciones de funcionamiento y seguridad. Guarde todos los documentos como futura referencia y pase los documentos, junto con el producto, a algún futuro propietario. Consulte nuestro sitio web para obtener la versión más actualizada de nuestra guía del propietario.

Los siguientes mensajes de advertencia se encuentran en toda la guía para el propietario:

### PELIGRO

Indica un riesgo con nivel ALTO de riesgo que, en caso de no evitarse, causará la muerte o lesiones graves. Preste especial atención a las instrucciones proporcionadas a fin de evitar este riesgo altamente peligroso.

### ADVERTENCIA

Indica un riesgo con nivel MEDIO de riesgo que, en caso de no evitarse, podría causar la muerte, lesiones graves, lesiones leves o moderadas o posibles daños materiales.

### INSTRUCCIONES IMPORTANTES

Indica información adicional que ayudará en el cuidado de manipulación del dispositivo.

**USO PREVISTO:** Este producto está diseñado para hacer circular el aire en ambientes interiores únicamente. Este producto no está diseñado para usos comerciales o industriales. El fabricante no asume responsabilidad alguna por los daños causados por la falta de cumplimiento de estas instrucciones o el uso inadecuado del producto. Dichas acciones invalidarán la garantía del producto.

**ADVERTENCIA** - Al utilizar aparatos eléctricos, siempre deben seguirse precauciones básicas para reducir el riesgo de incendio, descarga eléctrica, y daños a personas, incluido lo siguiente:

### ADVERTENCIA

**Riesgo por uso y manipulación indebidos. Tenga la precaución de seguir estas directrices para evitar riesgos a personas o bienes.**

- No use este producto en el exterior o directamente expuesto a condiciones climáticas.
- No use este dispositivo en climas tropicales húmedos. Si se lleva el producto de un área fría a un área caliente (p. ej., durante el transporte), se puede producir condensación dentro de la unidad. Deje que el dispositivo alcance la temperatura ambiente antes de usarlo.
- No use este producto sobre superficies húmedas. No use este producto en una tina, ducha ni coloque el producto donde pueda caerse en una tina, lavadero, piscina u otro recipiente con agua.
- No sumerja este producto en agua ni permita que se filtre agua en la carcasa del motor.
- No utilice cerca de calderas, chimeneas, hornos u otras fuentes de calor de alta temperatura.
- No coloque este producto muy cerca de cortinas u otras telas sueltas ya que pueden engancharse en el producto, cortar el flujo de aire y dañar el motor.

- No mueva este producto jalando del cable, ni utilice el cable como manija ya que puede dañar el cableado interno. No desenchufe el producto jalando del cable ni coloque el cable de forma tensa. Para desenchufar, sujete el enchufe, y no el cable de energía.
- No coloque el cable debajo de una alfombra. No cubra el cable con tapetes, alfombrillas o cobertores similares. No coloque el cable debajo de muebles o electrodomésticos. Coloque el cable lejos del área de tránsito en un lugar donde no genere tropiezos. Para evitar tropezones, enrolle/guarde el cable de energía de manera segura.

**CONEXIÓN ELÉCTRICA:** Solamente puede usarse un tomacorriente adecuado de 230V~50Hz CA para conectar a la fuente de alimentación pública.

### PELIGRO

**Riesgo de descarga eléctrica. ¡El contacto con cables o componentes con tensión podría ser mortal!**

- No toque el producto con las manos húmedas o mojadas.
- No utilice el producto si tiene el cable o enchufe dañado o si el producto funciona mal, se ha caído, o se ha dañado de alguna forma. Deseche el producto o recurra al servicio técnico autorizado para que lo revisen y/o reparen para evitar cualquier peligro.
- No estire el cable de energía ni lo coloque de forma tensa.
- No introduzca ni permita que ingresen objetos extraños por los conductos de entrada o salida ya que ello puede causar riesgo de descarga eléctrica o incendio, o puede dañar el producto.
- Apague todos los controles antes de desenchufar. Desenchufe del tomacorriente de pared si no utilizará el aparato durante largos periodos de tiempo.
- No abra la carcasa del electrodoméstico. Para evitar el riesgo de descarga, el mantenimiento y/o las reparaciones deben ser

realizados por un Centro de Servicio Autorizado de Vornado. Solo deben usarse repuestos originales.

- Por motivos de seguridad, siempre desenchufe la unidad en caso de tormenta.

### ADVERTENCIA

**Riesgo de instalación inadecuada. Tenga la precaución de seguir estas directrices para evitar riesgos a personas o bienes.**

- Asegúrese de que el tomacorriente de pared sea fácilmente accesible para poder desconectar la unidad durante una emergencia.
- Para reducir el riesgo de incendio o descarga eléctrica, no use este producto con un dispositivo externo de control de velocidad (estado sólido).
- Para reducir el riesgo de incendio o descarga eléctrica y lesiones a personas, no use en una ventana.

### ADVERTENCIA

**Riesgo para niños y otras personas de grupos de riesgo.**

- Este electrodoméstico puede ser utilizado por niños mayores de 8 años y personas con capacidades físicas, sensoriales o mentales reducidas o falta de experiencia y conocimientos si han recibido supervisión o instrucciones sobre el uso seguro del electrodoméstico y comprenden los peligros que ello implica.
- Los niños no deben jugar con el electrodoméstico.
- Las tareas de limpieza y mantenimiento por parte del usuario no pueden ser realizadas por niños sin supervisión.
- Este producto y su material de empaquetado no son juguetes y deben mantenerse lejos del alcance de los niños.

## Información sobre la Declaración de Conformidad CE

Este producto cumple con todas las directivas CE relevantes y necesarias, incluidas las siguientes:

- Directiva de baja tensión
- Directiva de compatibilidad electromagnética
- Directiva de productos relacionados con la energía
- Directiva de restricción de sustancias peligrosas
- Registro, evaluación, autorización, y restricción de químicos

La Declaración de Conformidad completa está registrada y puede obtenerse mediante el importador.



**RECICLAJE DEL PAQUETE:** El empaquetado protege el electrodoméstico contra daños durante el transporte. Los materiales de empaquetado son seleccionados desde el punto de vista de su compatibilidad con el medio ambiente y tecnología de desecho y, por lo tanto, son reciclables.

- Deseche los materiales de empaquetado de forma responsable con el medio ambiente.



## Reciclaje De Residuos De Aparatos Eléctricos y Electrónicos

- **Residuos eléctricos y desecho de equipos electrónicos:** Esta marca indica que el producto no se debe desechar junto con otros residuos domésticos en ninguna parte de la UE. Para evitar los posibles daños que el desecho no controlado de residuos puede causar al medio ambiente o la salud humana, recíclalo de

forma responsable para fomentar la reutilización sustentable de los recursos materiales. Para entregar el aparato usado, utilice los sistemas de entrega y recolección o comuníquese con la tienda en la que compró el producto. Ellos reciclarán el producto de forma segura para el medio ambiente.



## Reciclaje De Baterías

- **DESECHO DE BATERÍAS** - Las baterías deben desecharse de forma separada del producto y no deben incluirse en los residuos domésticos. Deseche todos los tipos de baterías a través de un centro de desechos aprobado o en el establecimiento de residuos de su comunidad. Cumpla con las disposiciones vigentes aplicables. En caso de duda, comuníquese con el centro de desecho de residuos.

- Todos los consumidores están legalmente obligados a entregar las baterías y los acumuladores, independientemente de si contienen sustancias nocivas\* o no, en un punto de recolección de la ciudad o del comercio de forma tal que puedan desecharse de forma responsable con el medio ambiente.

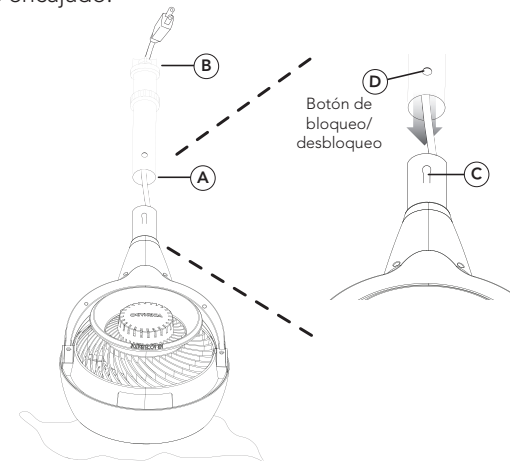
\*Identificación Cd = cadmio; Hg = mercurio; Pb = plomo

# PRIMEROS PASOS

## Instalación Del Cabezal Del Circulador (solo modelo 6803DC)

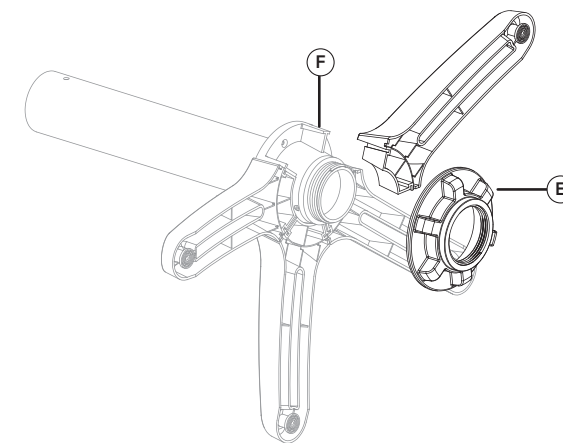
¡No se necesitan herramientas!

1. Coloque suavemente el cabezal del circulador hacia abajo en el piso sobre un paño suave para evitar ralladuras o daños a la unidad. Introduzca el cable de energía en la parte superior del tubo (A) y páselo hasta la parte inferior (B). Alinee el botón de bloqueo/desbloqueo (C) del cabezal del circulador con el orificio (D) ubicado en el tubo. Presione el tubo en el cabezal del circulador hasta que el botón de bloqueo/desbloqueo quede encajado.



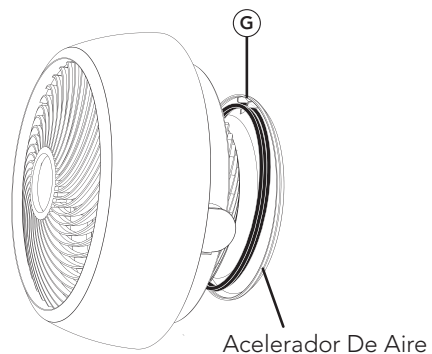
## Ensamblado Del Soporte (solo modelo 6803DC)

1. El tubo superior y el tubo inferior vienen pre-ensamblados con la tuerca de sujeción (E) asegurada en la parte inferior de la base. Gire la tuerca de sujeción en el sentido contrario a las agujas del reloj para quitarla.
2. Las patas están diseñadas para encajar en las ranuras (F) en la parte inferior de la tapa de la base. Ensamble todas las patas en el tubo, luego coloque nuevamente la tuerca de sujeción girándola en el sentido de las agujas del reloj para sujetar todas las patas.



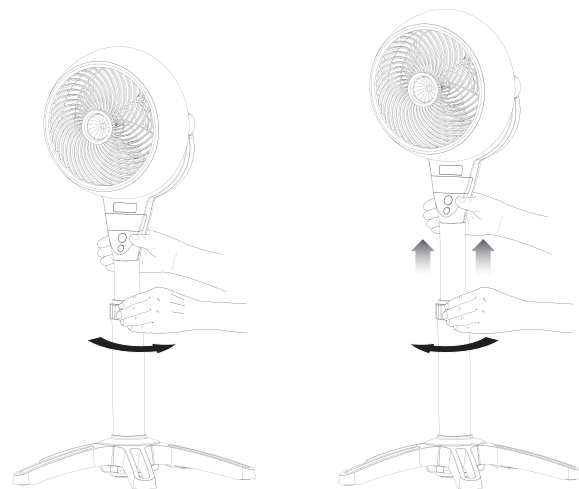
## Organizador De Cables

1. Enrolle el cable alrededor del acelerador de aire ubicado en la parte trasera de la unidad. Sujete el cable con los tres ganchos (A) ubicados en las posiciones de las horas 2, 6 y 10 del reloj.



## Cómo Ajustar La Altura (solo modelo 6803DC)

1. Antes de ajustar la altura del circulador, sostenga el cabezal del circulador con una mano. Use la otra mano para aflojar el anillo de ajuste de altura girándolo suavemente en el sentido contrario a las agujas del reloj.
2. Suba o baje lentamente el tubo hasta la altura deseada y sujételo girando el anillo de ajuste en el sentido de las agujas del reloj hasta que quede firme.



# CARACTERÍSTICAS

## FLUJO DE AIRE DIRECCIONABLE

Ajuste la dirección del flujo de aire hacia donde lo desee.

## TEMPORIZADOR PARA AHORRAR ENERGÍA

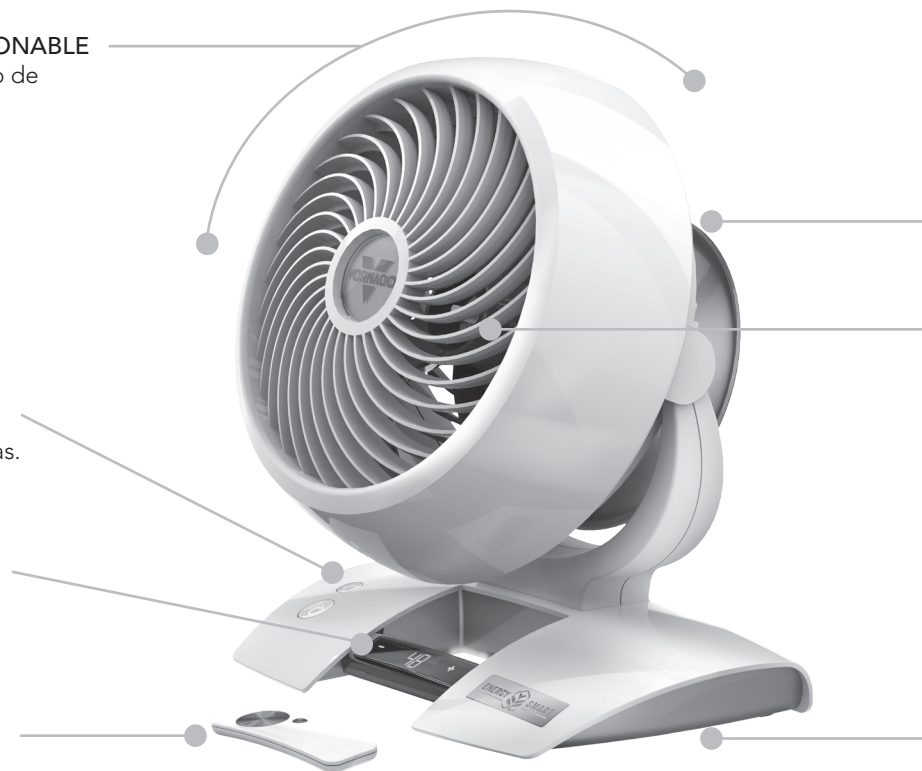
Temporizador de 1-12 horas.

## CONTROLES TÁCTILES (99 VELOCIDADES)

Una configuración de velocidad para cada nivel de confort.

## CONTROL REMOTO

Comodidad al alcance de sus manos.



## ORGANIZADOR DE CABLES

Enrolla cables integrado.

## DISEÑO PROTECTOR DE DEDOS

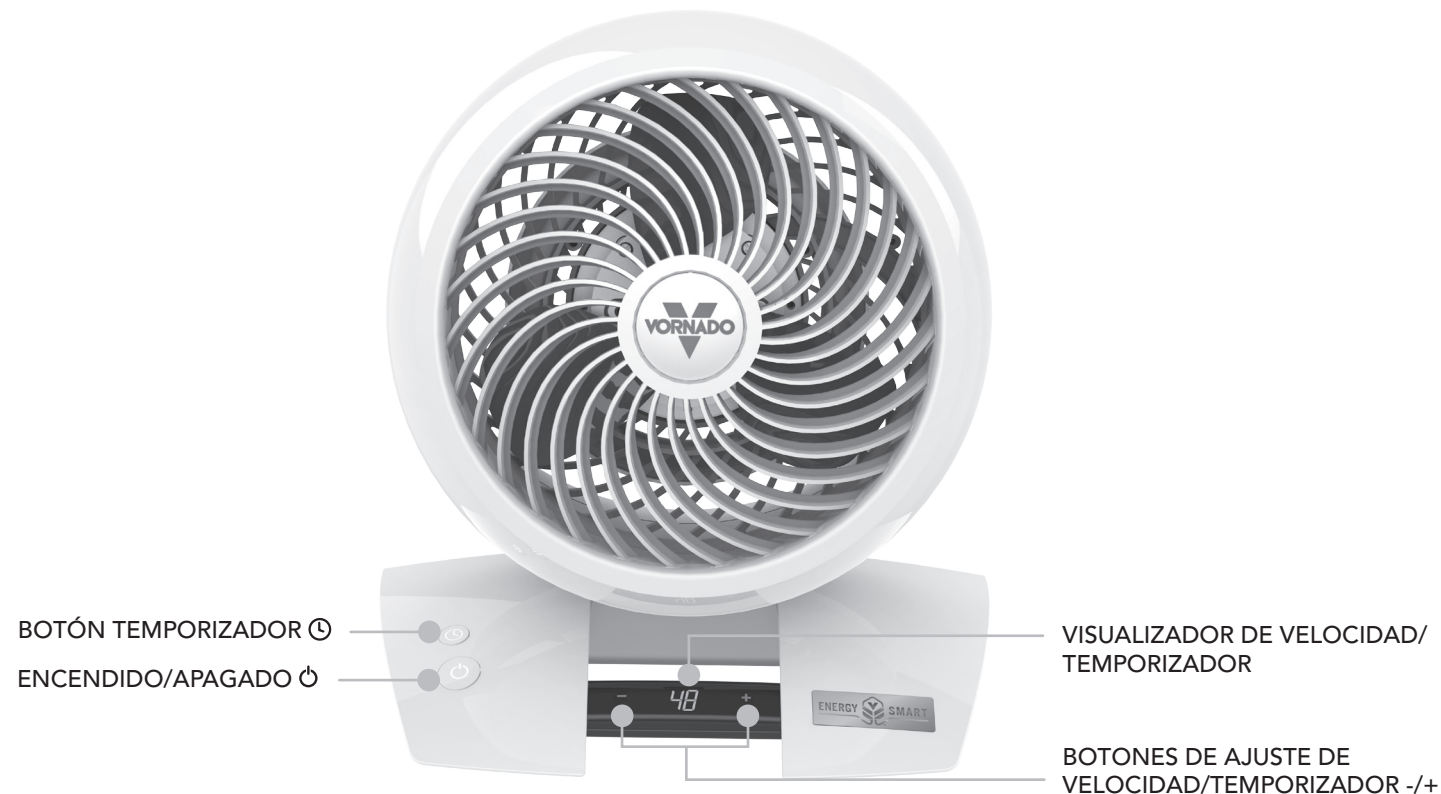
Resistente a dedos curiosos.

## PATAS DE SILICONA

Se agregaron patas que no dejan marca para una mayor estabilidad.

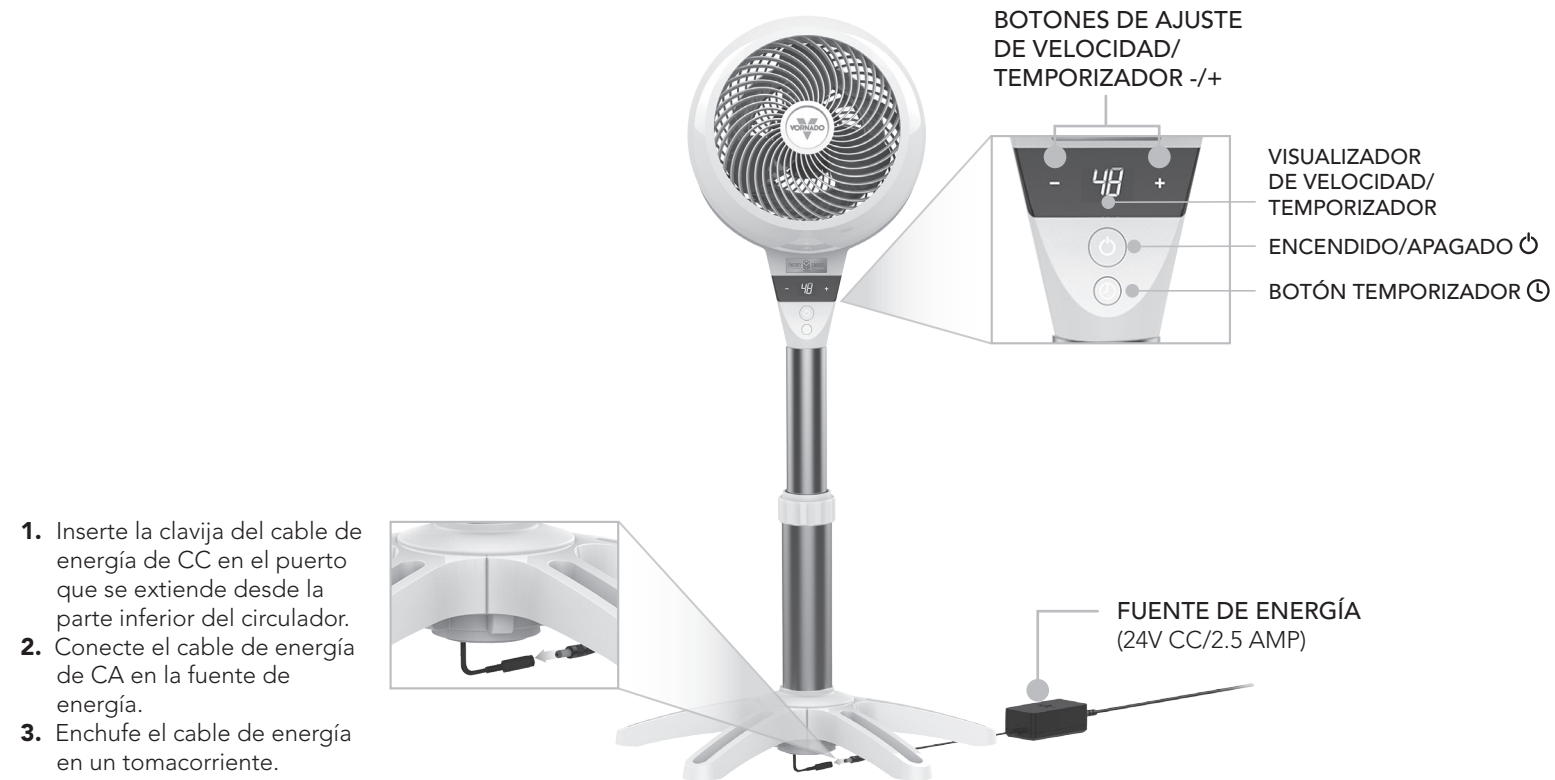
# CONTROLES

Modelo 5303DC, 6303DC Sólo




# CONTROLES

Solo modelo 6803DC





# CÓMO USAR


1. Toque  para encender.

 **Tip** El circulador vuelve a la configuración de memoria guardada por última vez.

2. Seleccione la velocidad deseada presionando **-/+**. Presione y mantenga presionado **-/+** para subir o bajar la velocidad en 5 incrementos de velocidades. La velocidad se indica con el número que figura en el Visualizador de velocidad/temporizador.

3. Presione  para activar el temporizador. El  se ilumina y el Visualizador de velocidad/temporizador parpadea **0** para indicar el Modo de ajuste del horas. Mientras esté en este modo, seleccione el tiempo en intervalos de una hora presionando **-/+**. Después de tres segundos, deja de parpadear y el



visualizador muestra el temporizador para indicar que el temporizador está configurado. El visualizador vuelve a la última velocidad seleccionada. Toque  para saber rápidamente cuántas horas quedan en el temporizador.

4. Para ajustar el temporizador, repita el paso tres.
5. Para cancelar el temporizador, repita el paso tres y configure el temporizador en **0**.

## ORGANIZADOR DE CABLES

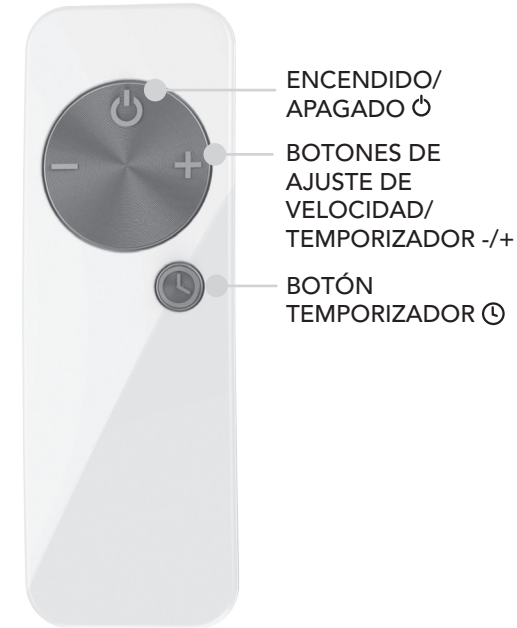
1. Enrolle el cable alrededor del Acelerador de aire ubicado en la parte trasera de la unidad. Sujete el cable con los tres ganchos ubicados en las posiciones de las horas 2, 6 y 10 del reloj.

# CONTROL REMOTO

Se requiere un destornillador. 

El control remoto del circulador incluye (1) pila CR2032 de 3 voltios de tipo moneda. La pila viene pre-instalada. Quite la lengüeta de la pila antes del primer uso.

1. Para cambiar la pila, el control remoto lleva una pila CR2032 de 3 voltios de tipo moneda. Siempre use el tamaño y la clasificación correctos de pila para este producto.
2. Para cambiar la pila, abra la tapa del compartimiento de la pila en la parte posterior del control remoto (deberá aflojar el pequeño tornillo de la tapa del compartimiento con un destornillador Phillips N.º 1). Si fuese necesario, limpie los contactos de la pila y también los del dispositivo antes de colocar la pila. Quite el protector plástico de la pila y colóquela en el control remoto con el lado + hacia afuera. Asegúrese de colocar correctamente la pila en relación con la polaridad. Coloque la tapa del compartimiento de la pila y atornille.



**Nota:** Quite la pila del control remoto cuando no lo usará durante un periodo prolongado de tiempo y siempre quite la pila agotada inmediatamente y reemplácela por una pila nueva. No guarde la pila agotada en el control remoto.

Las funciones del control remoto son las mismas que las funciones del panel de control del circulador.

El control remoto requiere un campo visual para que la señal sea recibida por el circulador. Apunte el control remoto al panel de visualización para una mejor recepción.

# CÓMO QUITAR LA REJILLA Y LA PALETA

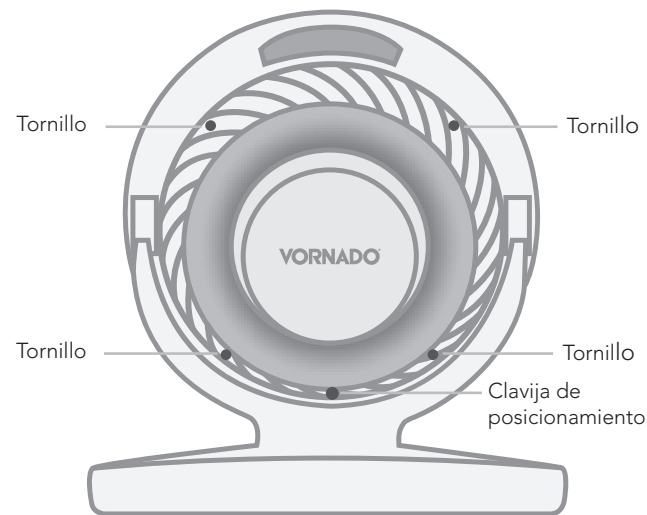
**ADVERTENCIA:** Para reducir el riesgo de descarga eléctrica y lesiones a personas, desenchufe el circulador antes de quitar la paleta.

## REJILLA EXTRAÍBLE

1. Use un destornillador Phillips para quitar la rejilla. Desatornille los 4 tornillos ubicados a lo largo del perímetro de la rejilla de entrada en las posiciones de las horas 2, 5, 7, y 10 del reloj. Así sacará la rejilla. Para colocarla nuevamente, acomode la rejilla de forma tal que el logotipo del centro de la rejilla quede derecho. Alinee la Clavija de posicionamiento para volver a conectar la rejilla. Una vez alineado, coloque los tornillos.
2. Limpie o lave con detergente lavavajillas suave. No coloque la rejilla en el lavavajillas. El calor excesivo puede deformar el plástico.

## CÓMO QUITAR LA PALETA

1. En caso de que algo quede accidentalmente atrapado en el eje motor, se puede quitar la paleta. Primero, quite la tuerca del eje. Gire la tuerca en el sentido de las agujas del reloj para aflojarla. Quite la paleta del eje. Al reinstalarla, la paleta puede ir de una sola forma en el eje. Asegúrese de que el lado plano del eje se alinee directamente con el lado plano correspondiente de la cavidad de la paleta. Presione la paleta hasta el final sobre el eje hasta que toque fondo. No use martillo porque podría dañar el rodamiento. Coloque la tuerca.
2. Limpie las paletas con un trapo húmedo. Si el circulador de aire se usa en un ambiente grasoso, tal como la cocina, puede ser necesario usar jabón suave o un producto de limpieza para el hogar. No use solventes.



# LIMPIEZA

Como el producto mueve mucha cantidad de aire, debe limpiarse con regularidad para eliminar pelusas, polvo y suciedad. No limpie el producto de una forma no indicada en esta guía del propietario.

## ADVERTENCIA

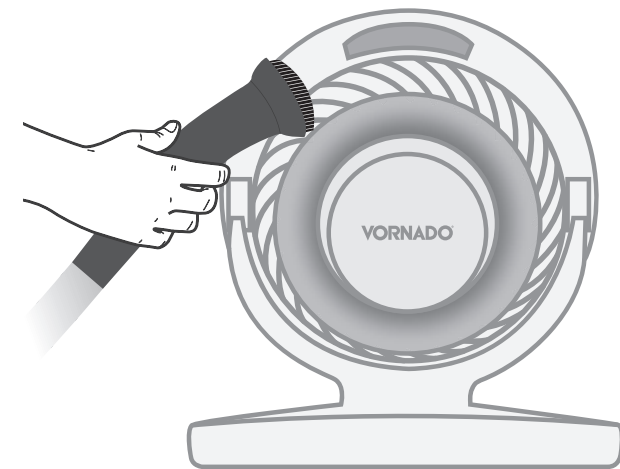
**Tenga en cuenta la siguiente información de seguridad para evitar riesgos y daños materiales.**

- Desenchufe el producto antes de limpiarlo.
- No utilice gasolina, diluyente, solvente, amoníaco u otros químicos para limpiar.
- No intente reparar o cambiar las piezas.



El motor se lubrica permanentemente y no necesita aceite.

1. Saque el polvo o limpie el circulador con un trapo húmedo.
2. Use el accesorio cepillo de su aspiradora para aspirar el polvo acumulado en la unidad.



# RESOLUCIÓN DE PROBLEMAS

## PROBLEMA POSIBLE CAUSA Y SOLUCIÓN

<p><b>El artefacto no se enciende.</b></p>	<p>El artefacto no está enchufado. Enchufe el cable de alimentación en la toma de corriente eléctrica.</p> <p>Asegúrese de que el artefacto se encuentra en modo de ventilador.</p> <p>La unidad está dañada o necesita reparación. Suspenda el uso y desenchúfela. Comuníquese con el servicio de atención al cliente para obtener asistencia.</p> <p>El enchufe está gastado o dañado. Pruebe con otro enchufe o contacte a un electricista certificado.</p>
<p><b>El flujo de aire es débil o lento.</b></p>	<p>Configure la unidad a una velocidad baja. Ajústela a una configuración de velocidad más alta.</p> <p>El flujo de aire está bloqueado. Quite la obstrucción.</p> <p>Ajuste la dirección de la corriente de aire hacia el usuario.</p>
<p><b>El GFCI se detiene.</b></p>	<p>Bajo ciertas condiciones, es posible que un enchufe GFCI recolocado no funcione cuando el usuario cambia la velocidad del circulador Vornado. En este caso, cambie a un enchufe que no esté conectado a un artefacto GFCI. Asimismo, esto podría indicar que el enchufe GFCI se encuentra en mal estado o defectuoso. Comuníquese con un electricista certificado para que verifique el enchufe GFCI.</p>
<p><b>El control remoto no funciona.</b></p>	<p>La batería está muerta. Cámbiela por una batería nueva CR2032 de 3 voltios. Consulte CONTROL REMOTO.</p> <p>El control remoto requiere un campo visual para que la señal sea recibida por la unidad. Coloque la unidad de forma tal que los lentes receptores (ubicados arriba del logo de Vornado) sean visibles desde el control remoto.</p>

# INFORMACIÓN SOBRE EL PRODUCTO

Modelo/s:			5303DC-EU	6303DC-EU
Descripción	Modelo/s:	Unidad	Valor	Valor
Tensión de entrada		V	220-240	220-240
Frecuencia de tensión de la red		Hz	50	50
Clase de protección		Class	IPX0	IPX0
Dimensiones		W x H x D (cm)	18 x 30 x 27	21 x 37 x 31
Peso		Aprox. (g)	1,805	2,522
Potencia de entrada del ventilador	P	Vatios (W)	31.10	52.51
Potencia de entrada del ventilador	F	m <sup>3</sup> /min	22.68	31.37
Valor de servicio	SV	(m <sup>3</sup> /min)/W	0.73	0.60
Consumo de energía en posición de espera	P <sub>SB</sub>	Watts (W)	0.41	0.35
Nivel de sonido emitido	L <sub>WA</sub>	dB(A)	58	57
Velocidad máxima del aire	c	m/sec	3.21	4.62
Estándar de medición del valor de servicio	IEC 60879: 1986 corr(1992) GB/T 13380-2007			
Detalles de contacto para obtener más información	Vornado Air LLC 415 East 13th Street Andover, KS 67002 USA			





# GARANTÍA LIMITADA\*

Esperamos que este producto sea perfecto. Si no está satisfecho con este producto, háganoslo saber.

## \*Condiciones de garantía y reparación y condiciones

Usted recibirá un voluntario 10 años garantía de fecha de compra en materiales y mano de obra del producto. Esta extendida garantía es válida para todos los clientes en Europa. La garantía legal se ven afectado por el presente Reglamento adicional.

El fabricante no asume responsabilidad alguna por los daños causados por la falta de cumplimiento de estas instrucciones o el uso inadecuado del producto. Dichas acciones invalidarán la garantía del producto.

Esta garantía no se aplica a defectos generados por el abuso del Producto, modificación, alteración, reparación o servicio del Producto por parte de una persona que no sea Vornado o un Centro de Servicio Autorizado, manipulación incorrecta, mantenimiento inadecuado, uso comercial del Producto, daños producidos durante el envío o atribuidos a hechos fortuitos.

No se recomienda la modificación no autorizada del producto, la reparación realizada por un centro de reparaciones no autorizado, o el uso de repuestos no aprobados, y sus consecuencias no serán cubiertas por los servicios de soporte o las garantías del producto.

Quedan excluidos los daños causados por el uso inadecuado o el uso del producto que no sea consecuente con el manual. Por ejemplo, a título enunciativo: si el producto es expuesto a humedad, temperaturas extremas, condiciones ambientales,

corrosión, oxidación, si se derraman líquidos sobre el dispositivo, si sustancias químicas afectan el producto o mediante otros incidentes que no se encuentren dentro del rango razonable de influencia del fabricante.

La presentación de un recibo o una factura es prerrequisito para el procesamiento en el departamento de servicio.

La información técnica, los datos y las instrucciones de instalación, conexión y operación que contienen estas instrucciones de uso corresponden a la última información disponible al momento de la impresión.

El contenido de este manual puede diferir ligeramente del producto real. Tenga en cuenta los complementos adicionales.

Los nombres de empresas y productos son marcas comerciales de sus respectivos propietarios. © Todos los derechos reservados.

© 2017 Vornado Air LLC Andover, KS 67002  
Las especificaciones pueden modificarse sin previo aviso.  
Vornado® es una marca registrada propiedad de Vornado Air LLC.

Consulte la contratapa del manual del usuario para la información del importador y su centro de servicio autorizado.

## OBSAH

Důležité Pokyny .....	114	Sejmutí Mřížky A Vyjmutí Lopatky .....	124
Začínáme.....	117	Čištění .....	125
Vlastnosti.....	119	Řešení Potříží.....	126
Ovládací Prvky .....	121	Informace O Produktech .....	127
Způsob Používání .....	122	Záruka .....	128
Dálkový Ovladač.....	123		



Pensado y diseñado en USA.

© 2017 Vornado Air LLC Andover, KS 67002 U.S. Patente en Curso. Especificaciones del producto sujetas a cambio sin previo aviso. Vornado® es marca registrado de Vornado Air LLC.

# DŮLEŽITÉ POKYNY PŘED POUŽITÍM SI PŘEČTĚTE VEŠKERÉ POKYNY.

Tento návod k použití a případné další přílohy se považují za součást výrobku. Obsahují důležité informace o bezpečnosti, používání a likvidaci. Před použitím výrobku se prosím seznamte se všemi pokyny k provozu a bezpečnosti. Všechny dokumenty si prosím uschovejte pro budoucí použití a předejte je případnému budoucímu vlastníkovi spolu s výrobkem. Nejnovější verzi našeho návodu k použití najdete na našem webu.

V celém návodu k použití se používají následující výstražná upozornění:

## NEBEZPEČÍ

**Označuje VYSOKOU míru ohrožení, které povede k usmrcení nebo vážnému zranění, pokud riziku nepředejdete. Věnujte prosím zvláštní pozornost uvedeným pokynům k tomu, jak tomuto vážnému riziku předejít.**

## VÝSTRAHA

**Označuje STŘEDNÍ míru ohrožení, které by mohlo vést k usmrcení, vážnému zranění, středně vážnému nebo lehkému poranění nebo potenciálním poškození majetku, pokud riziku nepředejdete.**

## DŮLEŽITÉ POKYNY

Označují doplňující informace, které vám pomohou s používáním zařízení.

**POUŽITÍ V SOULADU S URČENÍM:** Tento výrobek je určen pouze k cirkulaci vzduchu ve vnitřních obytných prostorech. Tento výrobek není určen pro komerční ani průmyslové použití.

Výrobce nenese odpovědnost za škody způsobené nedodržáním těchto pokynů nebo nevhodným použitím výrobku. Takové případné počínání vede ke ztrátě nároku na záruku.

**VÝSTRAHA** – Při používání elektrických spotřebičů je vždy nutné dodržovat základní preventivní opatření, aby se snížilo riziko požáru, zásahu elektrickým proudem a poranění osob, mimo jiné:

## VÝSTRAHA

**Riziko vyplývající z použití a zacházení v rozporu s určením. Dodržujte prosím tyto pokyny, aby nedošlo k ohrožení osob ani majetku.**

- Nepoužívejte tento výrobek venku a nevystavujte ho přímému působení povětrnostních vlivů.
- Nepoužívejte toto zařízení v tropickém vlhkém podnebí. Při přenesení výrobku ze studeného prostoru do tepla (např. během přepravy) může v jednotce dojít ke kondenzaci. Před použitím zařízení počkejte, než dosáhne pokojové teploty.
- Nepoužívejte tento výrobek na mokřím povrchu. Nepoužívejte tento výrobek ve vaně či sprše a neumísťujte ho na místa, z nichž může spadnout do vany, prádla, bazénu nebo jiné vodní nádrže.
- Dbejte na to, aby nedošlo k ponoření výrobku do vody a aby do krytu motoru nenakapala voda.
- Nepoužívejte zařízení v blízkosti kamen, krbů, sporáků a jiných zdrojů tepla o vysoké teplotě.
- Neumisťujte tento výrobek příliš blízko závěsů a jiných volných tkanin, jelikož by mohly být nasáty do výrobku, mohly by přerušit proudění vzduchu a poškodit motor.

- Nenoste tento výrobek za kabel a rovněž kabel nepoužívejte jako rukojeť, jelikož by se mohlo poškodit vnitřní vedení. Nevytahujte výrobek ze zásuvky tak, že budete tahat za kabel nebo že budete kabel vystavovat zátěži. Při vytahování ze zásuvky držte zástrčku, nikoliv kabel.
- Nepokládejte kabel pod koberec. Nezakrývejte kabel rohožemi, běhouny a podobnými krycími materiály. Nevedte kabel pod nábytkem a spotřebiči. Umístěte kabel na místo, kde se nechodí a kde o něj nikdo nezakopne. Aby se předešlo nebezpečí zakopnutí, napájecí kabel bezpečně sviňte/uložte.

**ELEKTRICKÉ PŘIPOJENÍ:** Smí se použít pouze správná zásuvka 230 V~ 50 Hz AC pro připojení k veřejné rozvodné síti.

## NEBEZPEČÍ

**Riziko zásahu elektrickým proudem. Kontakt s vedením a komponentami pod napětím může být životu nebezpečný!**

- Nedotýkejte se výrobku mokřýma ani vlhkýma rukama.
- Nepoužívejte výrobek s poškozeným kabelem či poškozenou zástrčkou a také ho nepoužívejte po výskytu poruch, pádu nebo jakémkoliv poškození. Takový výrobek v zájmu bezpečnosti zlikvidujte nebo se obraťte na servis, aby výrobek zkontroloval a/ nebo opravil.
- Pokud je poškozený napájecí kabel, musí ho v zájmu bezpečnosti vyměnit výrobce, jeho servisní pracoviště nebo podobně kvalifikovaná osoba.
- Napájecí kabel nenatahujte ani ho nevystavujte zátěži.
- Nevkládejte do žádného vstupního ani výstupního otvoru žádné cizí předměty a předejděte tomu, aby tam spadly. Mohlo by to vést k nebezpečí zásahu elektrickým proudem, požáru nebo poškození výrobku.
- Před vytažením ze zásuvky vypněte všechny ovládací prvky. Pokud zařízení delší dobu nepoužíváte, vytáhněte ho z nástěnné zásuvky.

- Neotevírejte kryt spotřebiče. Aby se předešlo nebezpečí zásahu elektrickým proudem, musí veškeré servisní práce a/nebo opravy provádět autorizované servisní pracoviště společnosti Vornado. Smějí se používat pouze originální náhradní díly.
- V zájmu bezpečnosti jednotku vždy vypojujte ze zásuvky v případě bouřky.

## VÝSTRAHA

**Riziko vyplývající z neodborné instalace. Dodržujte prosím tyto pokyny, aby nedošlo k ohrožení osob ani majetku.**

- Vyberte nástěnnou zásuvku, která je snadno dostupná, aby jednotku bylo v naléhavém případě možné vypojit.
- Aby se snížilo riziko požáru a zásahu elektrickým proudem, nepoužívejte tento výrobek ve spojení s žádným externím (polovodičový) zařízením k regulaci otáček.
- Aby se snížilo riziko požáru, zásahu elektrickým proudem a poranění osob, nepoužívejte v okně.

## VÝSTRAHA

**Riziko pro děti a jiné ohrožené skupiny osob.**

- Tento spotřebič mohou používat děti od 8 let i osoby s omezenými fyzickými, senzoryckými nebo duševními schopnostmi nebo s nedostatkem zkušeností a znalostí, pokud se jim dostalo dohledu nebo pokynů ohledně bezpečného používání spotřebiče a pokud chápou související rizika.
- Děti si se spotřebičem nesmějí hrát.
- Děti nesmějí bez dohledu provádět čištění a užitelskou údržbu.
- Tento výrobek ani jeho obalový materiál nejsou hračky a musejí se uchovávat mimo dosah dětí.

## Informace ohledně ES prohlášení o shodě

Tento výrobek splňuje všechny relevantní a potřebné směrnice ES, mimo jiné:

- Směrnice pro nízké napětí (LVD)
- Směrnice pro elektromagnetickou kompatibilitu (EMC)
- Směrnice o ekodesignu výrobků spojených se spotřebou energie (ErP)
- Směrnice o omezení používání některých nebezpečných látek (RoHS)
- Nařízení o registraci, hodnocení, povolování a omezování chemických látek (REACH)

**Kompletní prohlášení o shodě je zaregistrované a je k dispozici u dovozce.**



**RECYKLACE OBALU:** Obal chrání spotřebič před poškozením během přepravy. Obalové materiály vybíráme s ohledem na ekologičnost a technologii likvidace, takže je lze recyklovat.

► Likvidujte veškerý obalový materiál s ohledem na životní prostředí.



**Recyklace WEEE**

► **Likvidace odpadních elektrických a elektronických zařízení:**

Tato značka udává, že tento výrobek se nikde na území EU nesmí vyhazovat do domovního odpadu. V zájmu ochrany životního prostředí a lidského zdraví před nekontrolovanou likvidací odpadu výrobek předejte k recyklaci. Podpořte tak udržitelné

opětovné využití zdrojů materiálu. Chcete-li použité zařízení vrátit, použijte systémy zpětného odběru spotřebičů nebo se obraťte na maloobchodního prodejce, u něhož jste výrobek zakoupili. Prodejce může tento výrobek přijmout zpět k ekologické recyklaci.



**Recyklace baterií**

► **LIKVIDACE BATERIÍ:** Baterie se musejí likvidovat odděleně od samotného výrobku a nepatří do domovního odpadu. Veškeré typy baterií nechte zlikvidovat ve sběrně nebezpečného odpadu, jako jsou právě baterie, nebo ve sběrném dvoře ve své obci. Dodržujte aktuálně platné předpisy. V případě pochybností se obraťte na sběrný dvůr.

► Každý spotřebitel je ze zákona povinen všechny baterie a akumulátory, ať už obsahují škodlivé látky\* či nikoliv, odevzdat na sběrné místo ve své obci nebo u prodejce, aby mohly být zlikvidovány metodou šetrnou k životnímu prostředí.

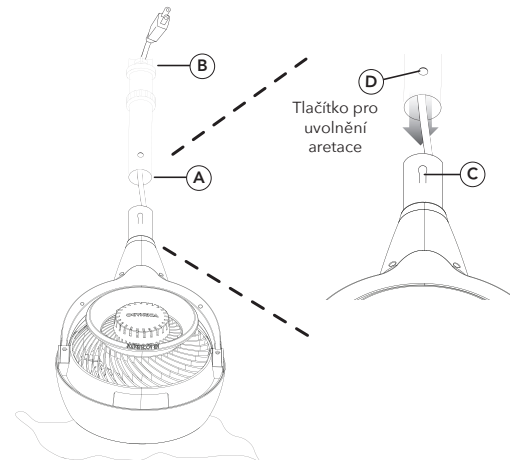
\*identifikace: Cd = kadmium; Hg = rtuť; Pb = olovo

# ZAČÍNÁME

**Instalace hlavy cirkulátoru** (pouze model 6803DC)

**Není zapotřebí žádné nářadí!**

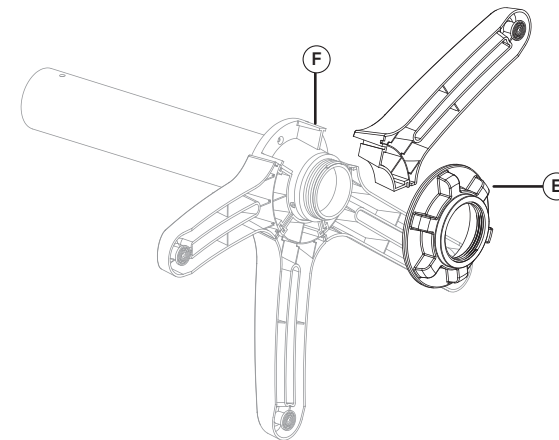
1. Šetrně položte hlavu cirkulátoru přední stranou dolů na měkkou látku, aby se jednotka nepoškrábala ani jinak nepoškodila. Vložte napájecí kabel do horní části sloupku (A) a protáhněte ho až dolů (B). Zarovnejte tlačítko pro uvolnění aretace (C) na hlavě cirkulátoru s otvorem (D) umístěným na sloupku. Zastrčte sloupek do hlavy cirkulátoru tak, aby tlačítko pro uvolnění aretace zaklaplo.



**Montáž stojanu** (pouze model 6803DC)

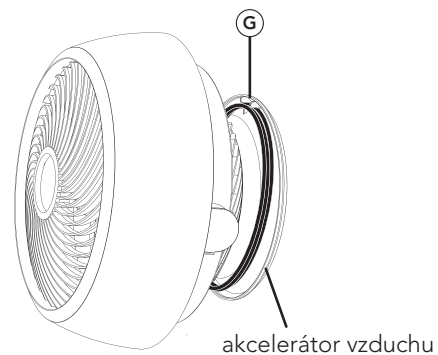
1. Horní sloupek a spodní sloupek jsou již smontované a upevňovací matice (E) je připevněná na spodní straně základny. Odstraňte upevňovací matici tak, že ji budete otáčet proti směru hodinových ručiček.

2. Nohy jsou navrženy tak, aby se vešly do drážek (F) na spodní straně krytu základny. Namontujte všechny nohy na sloupek. Vraťte upevňovací matici na původní místo tak, že ji budete otáčet po směru hodinových ručiček. Všechny nohy se tím zafixují v dané pozici.



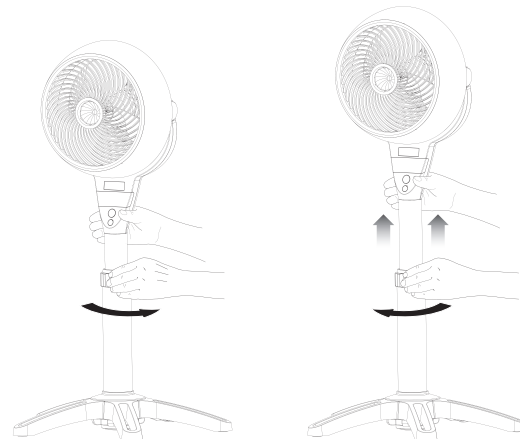
## Vedení kabelu

1. Omotejte kabel kolem akcelérátoru vzduchu, který se nachází na zadní straně jednotky. Zajistěte kabel třemi svorkami (G) umístěnými v pozicích 2, 6 a 10 hodin.



## Nastavení výšky (pouze model 6803DC)

1. Než budete nastavovat výšku cirkulátoru, podpírejte hlavu cirkulátoru jednou rukou. Druhou rukou uvolněte objímku pro nastavení výšky tak, že ji budete opatrně otáčet proti směru hodinových ručiček.
2. Pomalu zvedejte nebo spouštějte sloupek až do požadované výšky a zafixujte ho v dané pozici tak, že budete nastavovací objímku otáčet po směru hodinových ručiček, dokud nebude pevně utažená.



# VLASTNOSTI

## PROUDĚNÍ VZDUCHU S MOŽNOSTÍ NASTAVENÍ SMĚRU

Nasměrujte proudění vzduchu tam, kde ho chcete mít.

## ČASOVÝ VYPÍNAČ ŠETŘÍCÍ ENERGII

Časový vypínač 1-12 hodin.

## OVLÁDACÍ PRVKY CITLIVÉ NA DOTEK (99 ÚROVNÍ OTÁČEK)

Nastavení otáček pro různé úrovně komfortu.

## DÁLKOVÝ OVLADAČ

Pohodlí na dosah ruky.



## VEDENÍ KABELU

Integrované úchyty pro omotání kabelu.

## DESIGN PRO BEZPEČÍ PRSTŮ

Odolají zvědavým prstům.

## SILIKONOVÉ NOŽKY

Nožky, které zajišťují stabilitu a zároveň nezanechávají stopy.

# OVLÁDACÍ PRVKY

Pouze modely 5303DC a 6303DC



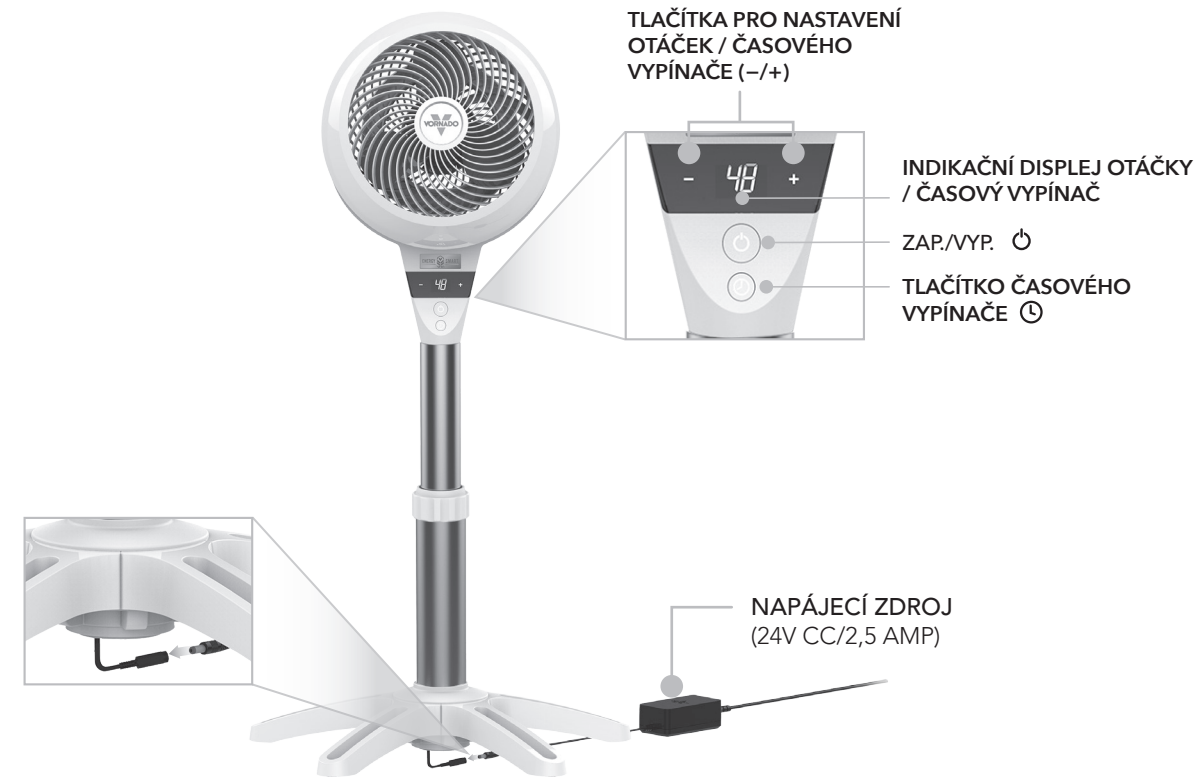
TLAČÍTKO ČASOVÉHO  
VYPÍNAČE ⏸  
ZAP./VYP. ⏻

INDIKAČNÍ DISPLEJ OTÁČKY /  
ČASOVÝ VYPÍNAČ

TLAČÍTKA PRO NASTAVENÍ OTÁČEK /  
ČASOVÉHO VYPÍNAČE (-/+)

# OVLÁDACÍ PRVKY

Pouze model 6803DC






# ZPŮSOB POUŽÍVÁNÍ

1. Zapněte zařízení klepnutím na .



Cirkulátor obnoví poslední nastavení uložené do paměti.

2. Vyberte požadované otáčky stisknutím **-/+**. Stisknutím a podržením **-/+** změňte nastavení otáček směrem nahoru nebo dolů v krocích po 5 otáčkách. Otáčky se zobrazují v podobě čísla na indikačním displeji otáčky / časový vypínač.

3. Stisknutím  aktivujte časový vypínač.  Rozsvítí se a indikační displej otáčky / časový vypínač blikajícím číslem **0** signalizuje režim nastavování časového vypínače. V tomto režimu zvolte stisknutím **-/+** dobu v jednohodinových intervalech. Po třech sekundách se blikání zastaví a na displeji se zobrazují hodiny udávající nastavený časový vypínač. Displej přejde zpět na poslední zvolené otáčky. Když se dotknete , rychle zjistíte, kolik hodin na časovém vypínači zbývá.



4. Chcete-li nastavení časového vypínače změnit, zopakujte krok 3.
5. Chcete-li časový vypínač zrušit, zopakujte krok 3 a nastavte časový vypínač na **0**.

## VEDENÍ KABELU

1. Omotejte kabel kolem akcelérátoru vzduchu, který se nachází na zadní straně jednotky. Zajistěte kabel třemi svorkami umístěnými v pozicích 2, 6 a 10 hodin.

# DÁLKOVÝ OVLADAČ

Je zapotřebí šroubovák. 

Dálkový ovladač cirkulátoru vzduchu obsahuje jednu 3V mincovou baterii CR2032. Baterie je v dálkovém ovladači předinstalovaná. Před prvním použitím z baterie stáhněte nálepku.


1. Pro pozdější výměnu baterie mějte na paměti, že dálkový ovladač vyžaduje 3V mincovou baterii CR2032. Vždy používejte správnou velikost a třídu baterie, jakou tento výrobek vyžaduje.

2. Baterii vyměníte tak, že otevřete krytku baterie na zadní straně dálkového ovladače. (Malý šroubek na krytce budete muset uvolnit křížovým šroubovákem velikosti 1.) V případě potřeby před instalací nové baterie očistěte kontakty baterie a také kontakty v zařízení. Odstraňte z baterie případnou plastovou ochranu a umístěte baterii do dálkového ovladače tak, aby + strana směřovala ven. Ověřte, zda je baterie nainstalována správně co do polarity. Opět nasadte krytku baterie a zašroubujte šroubek.



ZAP./VYP. 

TLAČÍTKA PRO NASTAVENÍ OTÁČEK / ČASOVÉHO VYPÍNAČE (-/+)

TLAČÍTKO ČASOVÉHO VYPÍNAČE 

**Poznámka:** Když se dálkový ovladač delší dobu nepoužívá, baterii z něj vyjměte. Pokud se baterie vybita, vždy ji hned vyjměte a nahraďte novou. Neuchovávejte vybitou baterii v dálkovém ovladači.

Funkce dálkového ovladače jsou stejné jako funkce ovládacího panelu na cirkulátoru.

Dálkový ovladač vyžaduje přímou viditelnost, aby cirkulátor mohl signál přijímat. Abyste dosáhli nejlepšího příjmu signálu, nasměrujte dálkový ovladač na zobrazovací panel.

# SEJMUTÍ MŘÍŽKY A VYJMUTÍ LOPATKY

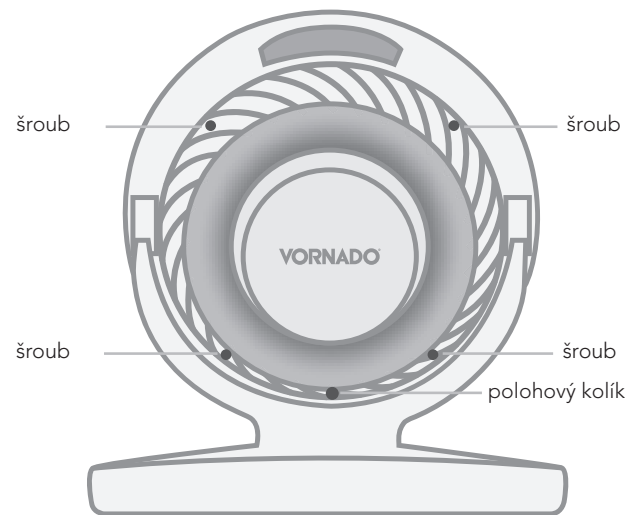
**VÝSTRAHA:** Aby se snížilo riziko zásahu elektrickým proudem a poranění osob, cirkulátor před vyjímáním lopatky vypojte ze zásuvky.

## SNÍMATELNÁ MŘÍŽKA

1. Pomocí křížového šroubováku vyšroubujte 4 šrouby umístěné po obvodu vstupní mřížky přibližně v poloze 2, 5, 7 a 10 hodin. Tím se mřížka uvolní. Až ji budete chtít znovu připevnit, umístěte ji tak, aby logo ve středu mřížky bylo rovně. Pro opětovné připevnění mřížky zarovnejte polohový kolík. Po zarovnání zašroubujte šrouby na původní místo.
2. Oprašte mřížku nebo ji umyjte jemným prostředkem na mytí nádobí. Nemyjte mřížku v myčce nádobí. Nadměrným působením tepla se plast může deformovat.

## VYJMUTÍ LOPATKY

1. Pokud se na hřídel motoru nedopatřením něco namotalo, lze lopatku vyjmout. Nejdříve z hřídele odstraňte matici. Uvolněte matici otáčením po směru hodinových ručiček. Stáhněte lopatku rovně z hřídele. Při vracení na původní místo lze lopatku na hřídel umístit pouze jedním způsobem. Ujistěte se, zda je plochá strana hřídele přesně zarovnaná s příslušnou plochou stranou jamky pro lopatku. Nasuňte lopatku až na doraz na hřídel. Nepoužívejte kladivo, jelikož by se tím mohlo poškodit ložisko. Opět umístěte matici.
2. Otřete lopatku vlhkým hadříkem. Pokud cirkulátor vzduchu používáte v mastném prostředí, jako je kuchyně, může být nutné použít běžný čistící prostředek pro domácnost. Nepoužívejte rozpouštědla.



# ČIŠTĚNÍ

Jelikož výrobkem prochází značné množství vzduchu, je třeba z něj pravidelně odstraňovat žmolky, prach a špínu. Nikdy výrobek nečistěte jinak, než jak je popsáno v návodu k použití.

## ⚠ VÝSTRAHA

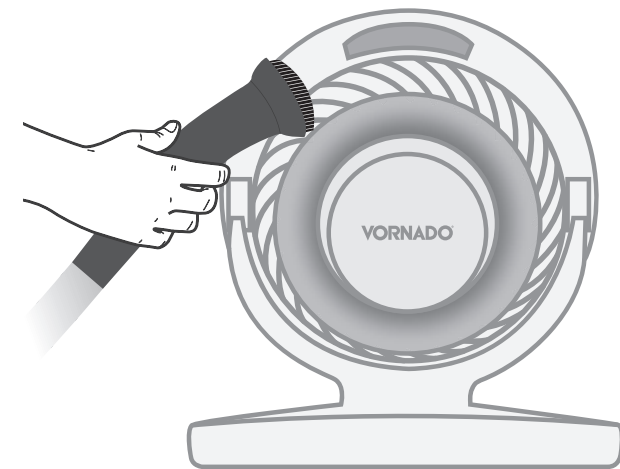
**Dbejte následujících bezpečnostních informací, aby se předešlo ohrožení a poškození majetku.**

- Před čištěním výrobek vypojte ze zásuvky.
- Nepoužívejte k čištění benzín, ředidla, rozpouštědla, čpavek ani jiné chemické látky.
- Nepokoušejte se opravit nebo vyměnit díly.



Motor se průběžně promazává a nevyžaduje další mazání.

1. Oprašte cirkulátor nebo ho otřete vlhkým hadříkem.
2. Za použití kartáčového nástavce na domácím vysavači vysajte případný nahromaděný prach.



# ŘEŠENÍ POTÍŽÍ

## PROBLÉM

## MOŽNÁ PŘÍČINA A ŘEŠENÍ

Jednotku nelze zapnout.	<p>Jednotka není zapojená do zásuvky. Zapijte napájecí kabel do elektrické zásuvky.</p> <p>Zkontrolujte, zda jsou nastaveny otáčky větráku.</p> <p>Jednotka je poškozená nebo vyžaduje opravu. Přestaňte ji používat a vypojte ji ze zásuvky. Požádejte o pomoc zákaznický servis.</p> <p>Zásuvka je opotřebená nebo poškozená. Zkuste jinou zásuvku nebo se obraťte na kvalifikovaného elektrikáře.</p>
Proudění vzduchu je příliš slabé nebo pomalé.	<p>Jednotka je nastavená na nízké otáčky. Nastavte jednotku na vyšší otáčky.</p> <p>Proudění vzduchu je blokováno. Odstraňte překážku.</p> <p>Upravte směr proudění vzduchu tak, aby směřovalo k uživateli.</p>
Vybavil proudový chránič.	<p>Za určitých okolností se může stát, že zásuvka s resetovaným proudovým chráničem (GFCI) vybaví, když uživatel na cirkulátoru vzduchu Vornado přepíná otáčky. V takovém případě přejděte na zásuvku, která není připojena k proudovému chrániči. Může to rovněž být známkou slabé nebo vadné zásuvky s proudovým chráničem. Obraťte se na kvalifikovaného elektrikáře a nechte zásuvku s proudovým chráničem zkontrolovat.</p>
Nefunguje dálkový ovladač.	<p>Baterie je vybitá. Nahradejte ji novou 3V baterií CR2032. (Viz oddíl DÁLKOVÝ OVLADAČ.)</p> <p>Dálkový ovladač vyžaduje přímou viditelnost, aby jednotka mohla signál přijímat. Ustavte jednotku tak, aby čočka přijímače (uvnitř loga „V“ Vornado) byla z dálkového ovladače viditelná.</p>

# INFORMACE O PRODUKTECH

Model(y):			5303DC-EU	6303DC-EU
Popis	Symbol	Jednotka	Hodnota	Hodnota
Vstupní napětí		V	220-240	220-240
Frekvence síťového napětí		Hz	50	50
Třída ochrany		Class	IPX0	IPX0
Rozměry		W x H x D (cm)	18 x 30 x 27	21 x 37 x 31
Hmotnost		Approx. (g)	1,805	2,522
Příkon větráku	P	Watts (W)	31.10	52.51
Maximální průtok větráku	F	m <sup>3</sup> /min	22.68	31.37
Účinnost	SV	(m <sup>3</sup> /min)/W	0.73	0.60
Příkon v pohotovostním režimu	P <sub>SB</sub>	Watts (W)	0.41	0.35
Hladina intenzity zvuku	L <sub>WA</sub>	dB(A)	58	57
Maximální rychlost vzduchu	c	m/sec	3.21	4.62
Norma pro měření účinnosti	IEC 60879: 1986 corr(1992) GB/T 13380-2007			
Kontaktní údaje pro získání dalších informací	Vornado Air LLC 415 East 13th Street Andover, KS 67002 USA			





# OMEZENÁ ZÁRUKA\*

Očekáváme, že tento výrobek bude dokonalý. Pokud s tímto výrobkem nejste spokojeni, dejte nám vědět.

## \* Omezená záruka a oprava termíny a podmínky

Zobrazí se dobrovolné deset let výrobce záruka od data zakoupení na materiálech a provedení výrobku. Tato rozšířená záruka výrobce platí pro všechny zákazníky v Evropě. Právní záruční nároky nejsou ovlivněny toto další nařízení.

Výrobce nenese odpovědnost za škody způsobené nedodržáním těchto pokynů nebo nevhodným použitím výrobku. Takové případné počínání vede ke ztrátě nároku na záruku.

Tato záruka se nevztahuje na závady vyplývající z použití výrobku v rozporu s určením, změn, úprav, oprav či servisu výrobku provedených kýmkoliv jiným než společností Vornado nebo autorizovaným servisním pracovištěm, z nesprávného zacházení, nesprávné údržby, komerčního používání výrobku, poškození v přepravě nebo z vyšší moci.

Nedoporučujeme provádět neodsouhlasené úpravy výrobku, realizovat opravy v neautorizované opravně a používat neschválené náhradní díly. Na případné následky se nevztahují služby podpory ani záruka na výrobek. Vyloučena jsou rovněž poškození způsobená nevhodným používáním a používáním výrobku v rozporu s návodem. Jedná se například o následující

případy: Pokud je výrobek vystaven vlhku, extrémním teplotám, podmínkám prostředí, korozi nebo oxidaci, pokud jsou na zařízení vylity tekutiny, pokud je výrobek vystaven vlivu chemických látek nebo pokud dojde k jiným okolnostem, které výrobce nemůže myslitelně ovlivnit.

Předpokladem pro zpracování v servisním oddělení je předložení účtenky nebo faktury.

Veškeré technické informace, údaje a pokyny k instalaci, připojení a provozu uvedené v tomto návodu k použití vycházejí z nejnovějších informací dostupných v době přípravy k tisku.

Obsah tohoto návodu se může mírně lišit od skutečného výrobku. Dbejte případných dodatků.

Veškeré názvy firem a výrobků jsou ochrannými známkami příslušných vlastníků. © Všechna práva vyhrazena.

Naleznete na zadní stránce příručky informace dovozce a autorizovaný servisní středisko.

## INNEHÅLL

Viktiga Instruktioner.....	130	Avlägsna Galler Och Blad .....	140
Komma Igång.....	133	Rengöring.....	141
Funktioner .....	135	Felsökning .....	142
Kontroller .....	136	Produktinformation .....	143
Bruksanvisning .....	138	Garanti .....	144
Fjärrkontroll.....	139		



Navrženo a zkonstruováno v USA.

© 2017 Vornado Air LLC Andover, KS 67002, USA. Přihlášeno k patentování v USA. Specifikace se mohou bez upozornění změnit. Vornado® je ochranná známka v majetku společnosti Vornado Air LLC.

# VIKTIGA INSTRUKTIONER

## LÄS ALLA INSTRUKTIONER FÖRE ANVÄNDNING.

Denna ägarhandbok och alla eventuella bilagor anses vara del av denna produkt. De innehåller viktig information om säkerhet, användning, och bortskaffning. Bekanta dig med alla drifts- och säkerhetsinstruktioner innan du använder produkten. Spara all dokumentation för framtida referens och lämna över dessa dokument, tillsammans med produkten, till framtida ägare. Gå in på vår webbsida för den senaste versionen av ägarhandboken.

Följande varningsmeddelanden förekommer genom hela denna ägarhandbok:

### FARA

Indikerar en fara med en HÖG risknivå som, om den inte undviks, kan leda till dödsfall eller allvarlig skada. Fäst särskild uppmärksamhet vid alla instruktioner som förklarar hur man undviker denna farliga risknivå.

### VARNING

Indikerar en fara med en MEDELHÖG risknivå som kan, om den inte undviks, leda till dödsfall, allvarlig skada, lindrig eller måttlig skada eller potentiell skada på egendom.

### VIKTIGA INSTRUKTIONER

Indikerar ytterligare information som underlättar skötsel och hantering av enheten.

**AVSEDD ANVÄNDNING:** Denna produkt är enbart avsedd för att cirkulera luften i inomhusbostäder. Denna produkt är inte avsedd för kommersiell eller industriell användning.

Tillverkaren tar inget ansvar för skador som orsakas av underlåtenhet att följa dessa instruktioner eller felaktig användning av produkten. Alla sådana handlingar kommer att upphäva garantin.

**VARNING** – Vid användning av elektriska apparater måste grundläggande försiktighetsåtgärder alltid utföras för att minska risken för brand, elstötar och personskador, inklusive följande:

### VARNING

**Risker på grund av icke avsedd användning och hantering. Se till att följa dessa riktlinjer för att undvika risker för personer eller egendom.**

- Använd inte denna produkt utomhus eller direkt exponerad för väder och vind.
- Använd inte denna enhet i tropiska och fuktiga klimat. Om produkten flyttas från kyliga till varma förhållanden (t.ex. under transport), kan kondensation bildas inuti enheten. Låt enheten uppnå rumstemperatur innan du använder den.
- Använd inte denna produkt på blöta underlag. Använd inte denna produkt i badkar eller duschar, och placera inte produkten där den kan falla ner i ett badkar, tvätt, swimmingpool eller annan vattenbehållare.
- Sänk inte ner denna produkt i vatten, och låt inte vatten tränga in i motorhuset.
- Använd inte nära ugnar, eldstäder, kaminer eller andra värmekällor med höga temperaturer.

- Positionera inte denna produkt för nära draperier eller andra lösa tyger eftersom de kan dras in i produkten och stoppa luftflödet och skada motorn.
- Bär inte denna produkt i sladden, och använd inte sladden som ett handtag eftersom detta kan skada de inre ledningarna. Koppla inte ur produkten genom att dra i sladden, och utsätt inte sladden för påfrestningar. Ta tag i kontakten, inte strömsladden, för att koppla ur enheten.
- Placera inte sladden under mattor. Täck inte sladden med små mattor, gångmattor eller liknande överdrag. Placera inte sladden under möbler eller apparater. Placera inte sladden där många passerar eftersom någon kan snubbla på den. Rulla ihop och förvara strömsladden på ett säkert sätt för att undvika snubblingsrisk.

**ELEKTRISK ANSLUTNING:** Enheten får bara anslutas till det allmänna elnätet via ett lämpligt 230V~50Hz växelströmsuttag (AC).

### FARA

**Risk för elstötar. Kontakt med ledningar eller komponenter som är under spänning kan vara livsfarligt!**

- Vidrör inte produkten med blöta eller fuktiga händer.
- Använd inte produkten om sladden eller kontakten är skadad, eller efter att produkten har krånglat, tappats eller skadats på annat sätt. Kassera produkten eller återlämna den till en auktoriserad serviceanläggning för undersökning och/eller reparation för att undvika faror.
- Om strömsladden är skadad måste den bytas ut av tillverkaren eller dennes serviceombud, eller en person med motsvarande kompetens för att undvika fara.
- Tjänj inte ut strömsladden och utsätt den inte för påfrestning.

- För inte in eller tillåt främmande objekt att komma in i någon inlopps- eller utloppsöppning eftersom detta kan orsaka elstötar eller brand, eller skada produkten.
- Stäng av alla kontroller innan du drar ut sladden. Dra ut sladden från vägguttaget om enheten inte ska användas under en längre tid.
- Öppna inte enhetens kåpa. För att undvika risker med elstötar måste all service och/eller reparation utföras av ett auktoriserat Vornado-servicecenter. Endast originalreservdelar får användas.
- Av säkerhetsskäl ska du alltid dra ut sladden till enheten i händelse av åska.

### VARNING

**Risker med felaktig installation. Se till att följa dessa riktlinjer för att undvika risker för personer eller egendom.**

- Säkerställ att vägguttaget är lättåtkomligt så att enheten kan kopplas ur vid en nödsituation.
- För att minska risken för brand eller elstötar ska denna produkt inte användas med några externa (halvledare) hastighetsregulatorer.
- För att minska risken för brand eller elstötar och personskador ska produkten inte användas i fönster.

### VARNING

**Risker för barn och andra riskgrupper.**

- Denna apparat kan användas av barn från 8 års ålder och personer med nedsatt fysisk, sensorisk eller mental förmåga eller som saknar erfarenhet och kunskap, om de övervakas eller har fått instruktioner om hur de använder apparaten på ett säkert sätt och förstår riskerna

det innebär.

- Barn får inte leka med produkten.
- Rengöring och användarunderhåll får inte utföras av barn utan övervakning.
- Denna produkt och dess förpackningsmaterial är inga leksaker och ska förvaras utom räckhåll för barn.

#### Information om EG-försäkran om överensstämmelse

Denna produkt uppfyller alla relevanta och nödvändiga EU-direktiv, inklusive:

- Lågspänningsdirektivet (LVD)
- Elektromagnetiska kompatibilitetsdirektivet (EMC)
- Energirelaterade produktdirektivet (ErP)
- Direktivet för restriktion av farliga ämnen (RoHS)
- Registrering, utvärdering, tillstånd, och begränsningar av kemikalier (REACH)

**Den fullständiga överensstämmelsedeklarationen finns och kan erhållas från importören.**



**FÖRPACKNINGÅTERVINNING:** Förpackningen skyddar apparaten från transportskada. Förpackningsmaterialet väljs utifrån dess miljövänlighet och avfallsbehandlingsteknik och kan därför återvinnas.

- Kassera allt förpackningsmaterial på ett miljövänligt och ansvarsfullt sätt.



#### Återvinning av WEEE

- **Hantering av elektriskt och elektroniskt avfall:** Denna märkning indikerar att produkten inte ska kastas med annat hushållsavfall inom EU. För att förhindra eventuell skada på miljön eller mänsklig hälsa från okontrollerad avfallshantering ska återvinning utföras på ett ansvarsfullt sätt för att främja hållbar återanvändning av materiella resurser. Returnera din förbrukade enhet genom lokala retur- och insamlingsystem eller kontakta återförsäljaren där produkten köptes. De tar hand om denna produkt för säker och miljövänlig återvinning.



#### Återvinning av batterier

- **KASSERING AV BATTERIER** - Batterier måste kastas separade från produkten och får inte ingå i hushållsavfallet. Kasta alla typer av batterier vid en godkänd uppsamlingsplats eller vid din kommunala avfallsanläggning. Följ de nuvarande tillämpliga reglerna. Kontakta din avfallsanläggning om du har några frågor.

- Varje konsument är enligt lag skyldig att lämna in alla batterier och ackumulatörer, oavsett om de innehåller skadliga ämnen\* eller inte, till en lokal uppsamlingsplats eller i någon butik, så att de kan kasseras med en miljövänlig och korrekt metod.

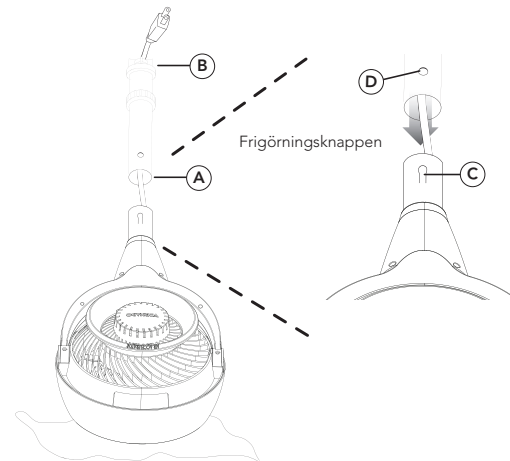
\*Identifikation Cd = kadmium; Hg = kvicksilver; Pb = bly

# KOMMA IGÅNG

**Installera fläkthuvud** (endast modell 6803DC)

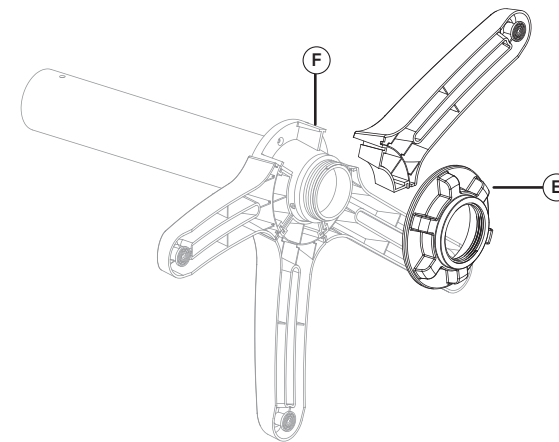
*Inga verktyg krävs!*

1. Lägg försiktigt fläkthuvudet nedåtriktat på marken på mjukt tyg för att undvika att enheten repas eller skadas. Sätt i elsladden högst upp på stången (A) och dra den genom botten (B). Anpassa frigöringsknappen (C) på fläkthuvudet (D) med hålet på stången. Skjut in stången på fläkthuvudet tills frigöringsknappen går i hålet.



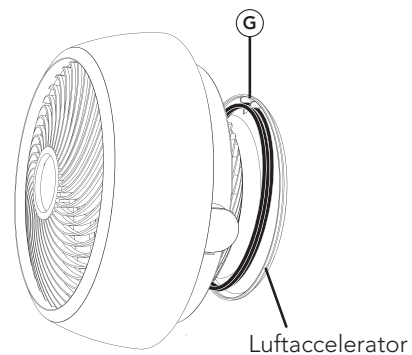
**Montera foten** (endast modell 6803DC)

1. Den övre stången och den nedre stången är förmonterade med en fästmutter (E) på undersidan av foten. Roterar fästmuttern moturs för att ta loss den.
2. Benen är utformade för att passa i spåren (F) på undersidan av foten. Montera alla ben på stången och sätt sedan tillbaka fästmuttern medurs för att fästa dem.



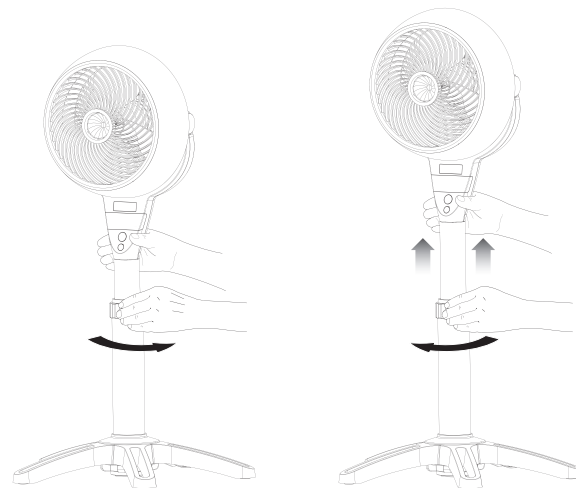
## Sladdskötsel

1. Vrid sladden runt luftacceleratoren på baksidan av enheten. Säkra sladden med de tre clipsen (G) placerade på positionerna klockan 2, 6 och 10.



## Justera höjden (endast modell 6803DC)

1. Medan du justerar fläktens höjd måste du stötta fläkthuvudet med ena handen. Använd den andra handen för att lossa justeringsringen genom att försiktigt vrida den moturs.
2. Höj eller sänk långsamt stängeln till önskad höjd och fäst den genom att vrida justeringsringen medurs till den sitter säkert.



# FUNKTIONER

## RIKTBART LUFTFLÖDE

Rikta luftflödet dit du vill ha det.

## ENERGISPARANDE TIMER

1–12 timmars timer.

## BERÖRINGSKÄNSLIGA KONTROLLER (99 HASTIGHETER)

En hastighet för varje nivå av bekvämlighet.

## FJÄRRKONTROLL

Praktisk och alltid till hands.



## SLADDSKÖTSEL

Integrerad sladdledning.

## FINGERVÄNLIG DESIGN

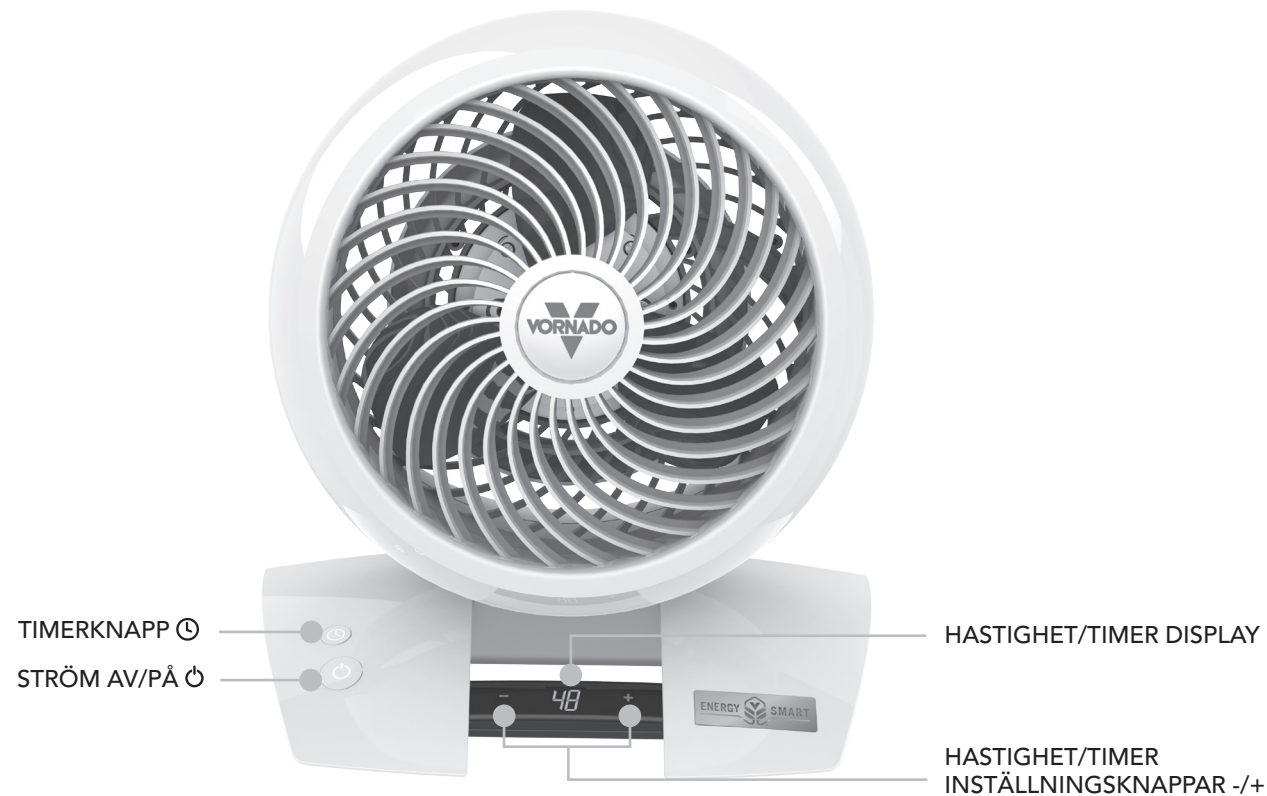
Motstår nyfikna fingrar.

## SILIKONFÖTTER

Stadiga fötter som inte lämnar märken på golvet.

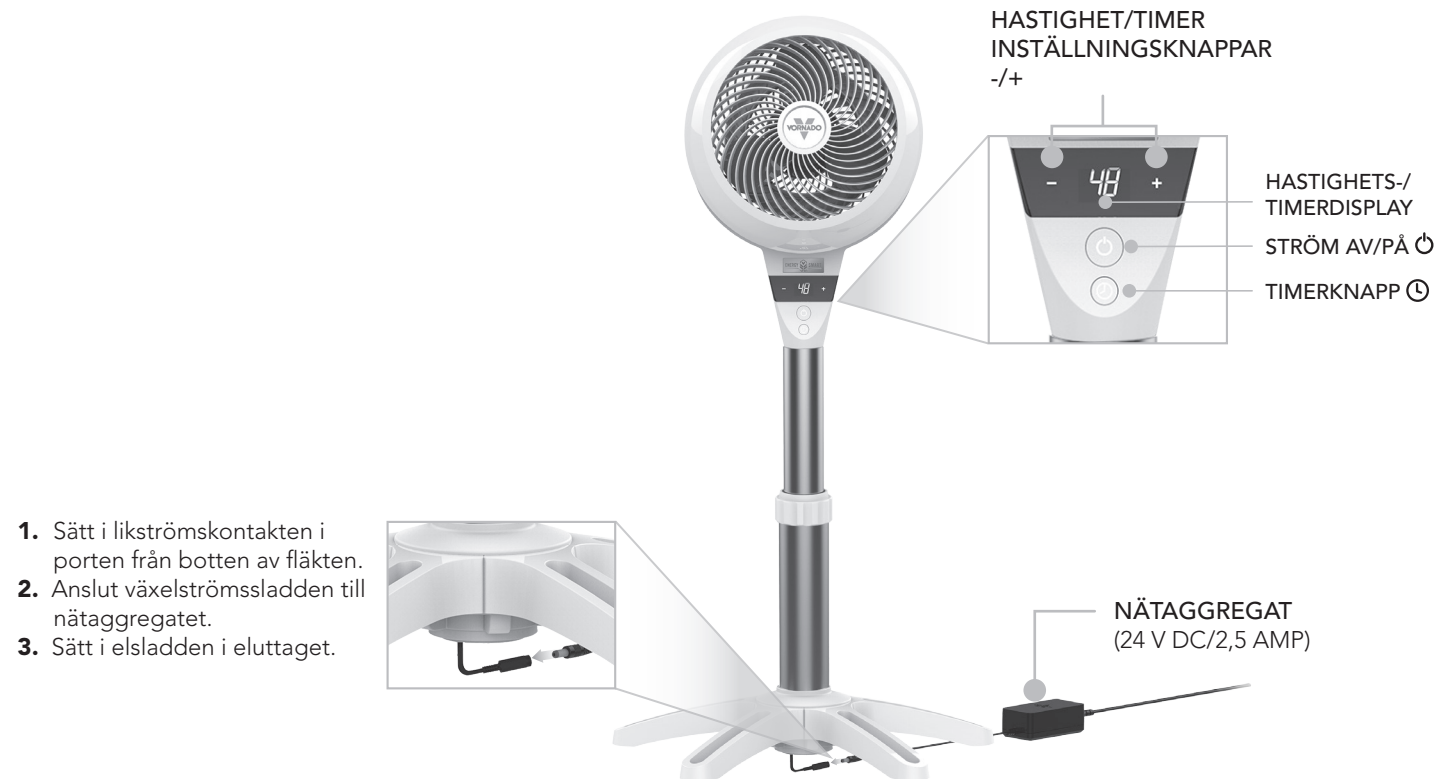
# KONTROLLER

Endast modell 5303DC, 6303DC



# KONTROLLER

Endast modell 6803DC






# BRUKSANVISNING

1. Sätt på strömmen .

 Fläkten återgår till den senaste sparade inställningen.

2. Välj den önskade hastigheten genom att trycka på **-/+**. Håll inne **-/+** för att öka eller sänka hastigheten i steg om 5. Hastigheten visas som en siffra på hastighets-/timerdisplayen.

3. Tryck  på för att aktivera timern.  tänds och hastighets-/timerindikatorn blinkar **0** för att visa att timern kan ställas in. I detta läge kan du välja hur länge timern ska vara i steg om en timme genom att trycka på **-/+**. Efter tre sekunder slutar displayen blinka och den visar antalet timmar som timern ställts in på. Displayen återgår till den senast valda hastigheten. Tryck  på för att snabbt visa hur många timmar som finns kvar på timern.



4. För att ändra timern upprepar du steg tre.

5. För att avbryta timern upprepar du steg tre och ställer in timern på **0**.

## SLADDSKÖTSEL

1. Vrid sladden runt luftacceleratoren på baksidan av enheten. Säkra sladden med de tre clipsen placerade på positionerna klockan 2, 6 och 10.

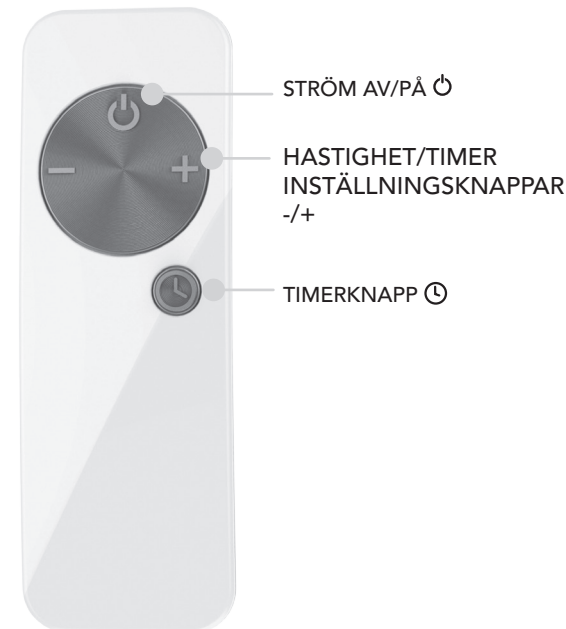
# FJÄRRKONTROLL

Skruvmejsel krävs. 

Ett (1) 3 V knappcellsbatteri (CR2023) ingår. Batteriet är förinstallerat. Avlägsna batteriremsan innan du använder fjärrkontrollen för första gången.

1. För att byta ut batteriet kräver fjärrkontrollen ett 3 V knappcellsbatteri av typen CR2032. Använd alltid rätt batteri för denna produkt.

2. För att byta ut batteriet öppnar du batteriluckan på baksidan av fjärrkontrollen (du måste lossa den lilla skruven på dörren med en #1 stjärnskruvmejsel). Om nödvändigt rengör du batteripolerna samt de i fjärrkontrollen innan du sätter i batteriet. Avlägsna eventuella plastskydd från batteriet och sätt i det i fjärrkontrollen med sidan + utåt. Se till att batteriets poler är riktade åt rätt håll. Sätt tillbaka batteriluckan och skruva fast skruven.



**Obs:** Ta ut batteriet ur fjärrkontrollen om du inte kommer att använda den under längre tid och byt alltid ut urladdade batterier omedelbart mot nya. Förvara inte urladdade batterier i fjärrkontrollen.

Fjärrkontrollen fungerar på samma sätt som fläktens kontrollpanel.

Fjärrkontrollen kräver fri sikt till fläkten för att signalen ska nå den. Peka fjärrkontrollen mot displayen för bästa mottagning.

# AVLÄGSNA GALLER OCH BLAD

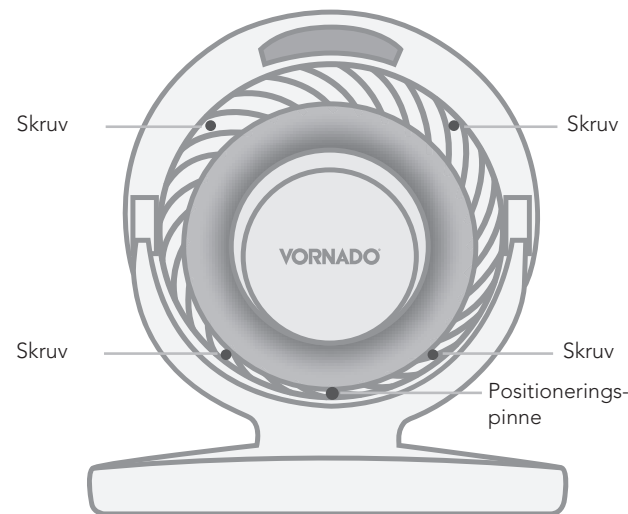
**VARNING:** För att minska risken elchock eller personskada måste fläkten kopplas ur från eluttaget innan bladen avlägsnas.

## AVTAGBART GALLER

1. Använd en stjärnskruvsmejsel för att lossa på gallret genom att skruva av de 4 skruvarna längs kanten på inloppsgallret placerade cirka klockan 2, 5, 7 och 10. Detta lossar gallret. För att sätta tillbaka gallret, placera det så att loggan på mitten av gallret är rak. Anpassa positioneringspinnen för att sätta tillbaka gallret. När gallret ligger rätt sätter du tillbaka skruvarna.
2. Damma av eller tvätta med mildt diskmedel. Diska inte gallret i diskmaskinen. Värmen kan förvrida plasten.

## AVLÄGSNA BLADET

1. Du kan avlägsna bladet om något skulle fastna i motoraxeln. Börja med att avlägsna muttern från axeln. Vrid muttern medurs för att lossa den. Dra ut bladet rakt uppåt från axeln. När du byter ut bladet kan det bara träs på axeln åt ett håll. Se till att den platta sidan av axeln ligger mot den platta sidan av bladets fäste. Tryck bladet så långt det går mot axeln. Använd inte en hammare då detta kan skada lagren. Sätt tillbaka muttern.
2. Torka av bladet med en fuktig duk. Om din fläkt används i feta utrymmen som kök kan du behöva använda mild tvål eller ett normalt hushållsrengöringsmedel. Använd inte lösningsmedel.



# RENGÖRING

Eftersom produkten förflyttar betydande mängder luft kan den behöva rengöras regelbundet för att avlägsna ludd, damm och smuts. Rengör aldrig produkten på något annat sätt än som anges i denna ägarhandbok.

## VARNING

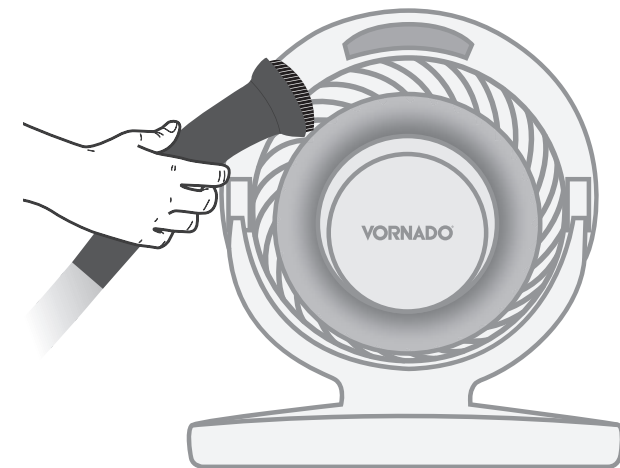
**Iaktta följande säkerhetsåtgärder för att undvika fara eller egendomsskada.**

- Koppla ur produkten innan du rengör den.
- Använd inte bensin, förtunningsmedel, lösningsmedel, ammoniak eller andra kemikalier för rengöring.
- Försök inte reparera eller byta ut delar.



Motorn är permanent smörjd och måste inte smörjas.

1. Damma eller torka av fläkten med en fuktig duk.
2. Använd borsten på din dammsugare för att suga upp uppsamlat damm.



# FELSÖKNING

## PROBLEM

## MÖJLIG ORSAK OCH ÅTGÄRD

<b>Enheten startar inte.</b>	<p>Enheten är inte inkopplad. Sätt i strömkontakten i eluttaget.</p> <p>Säkerställ att enhetens fläkthastighetsinställning har valts.</p> <p>Enheten är skadad eller behöver reparation. Avbryt användningen och dra ut sladden. Kontakta kundservice för hjälp.</p> <p>Uttaget är utslitet eller skadat. Prova ett annat uttag eller kontakta en kvalificerad elektriker.</p>
<b>Luftflödet är svagt eller långsamt.</b>	<p>Enheten är inställd på en för låg hastighet. Justera till en högre hastighet.</p> <p>Luftflödet är blockerat. Ta bort blockerande objekt.</p> <p>Justera luftflödets riktning mot användaren.</p>
<b>Jordfelsbrytaren har utlösts.</b>	<p>Under särskilda förhållanden kan en återställd jordfelsbrytare (Ground Fault Circuit Interrupter, GFCI) utlösas när användaren ändrar hastighet på en Vornado-cirkulator. Om detta händer byt till ett uttag som inte är anslutet till en jordfelsbrytare. Det kan också indikera ett svagt eller defekt GFCI-uttag. Kontakta en kvalificerad elektriker för kontroll av GFCI-uttaget.</p>
<b>Fjärrkontrollen fungerar inte.</b>	<p>Batteriet är uttjänt. Ersätt med ett nytt 3-voltsbatteri CR2032. (se FJÄRRKONTROLL.)</p> <p>Fjärrkontrollen kräver fri siktlinje för att signalen ska kunna tas emot av enheten. Positionera enheten så att mottagarlinsen (inuti Vornado "V"-logotypen) är synlig från fjärrkontrollen.</p>

# PRODUKTINFORMATION

Modell(er):			5303DC-EU	6303DC-EU
Beskrivning	Symbol	Enhet	Värde	Värde
Ingående spänning		V	220-240	220-240
Nätspänningsfrekvens		Hz	50	50
Skyddsklass		Class	IPX0	IPX0
Dimensioner		W x H x D (cm)	18 x 30 x 27	21 x 37 x 31
Vikt		Approx. (g)	1,805	2,522
Fläktens ingående strömstyrka	P	Watts (W)	31.10	52.51
Maximalt fläktflöde	F	m <sup>3</sup> /min	22.68	31.37
Servicevärde	SV	(m <sup>3</sup> /min)/W	0.73	0.60
Elförbrukning i viloläge	P <sub>SB</sub>	Watts (W)	0.41	0.35
Avgiven ljudnivå	L <sub>WA</sub>	dB(A)	58	57
Maximal lufthastighet	c	m/sec	3.21	4.62
Mätstandard för servicevärde	IEC 60879: 1986 corr(1992) GB/T 13380-2007			
Kontaktuppgifter för erhållande av mer information	Vornado Air LLC 415 East 13th Street Andover, KS 67002 USA			





# BEGRÄNSAD GARANTI\*

Vi förväntar oss att denna produkt är felfri. Låt oss få veta om du inte är nöjd med produkten.

## \* Begränsad garanti och reparation regler och villkor

Du får en frivillig tio år tillverkarens garanti från inköpsdatum på material och utförande av produkten. Denna förlängda tillverkningsgarantin gäller för alla kunder i Europa. De rättsliga garantianspråk påverkas inte av denna ytterligare förordning.

Tillverkaren åtar sig inget ansvar för skador som orsakats av underlåtenhet att följa dessa instruktioner eller felaktig användning av produkten. Allt sådant leder till att garantin upphör att gälla.

Denna garanti gäller inte för defekter som orsakats till följd av fel användning, modifiering, ändring, reparation eller service av produkten av någon annan än Vornado eller ett auktoriserat serviceställe, felhantering, felaktigt underhåll, kommersiell användning av produkten, skador som uppstår under transport eller tillskrivs force majeure.

All icke-auktoriserad produktmodifikation, reparation av icke-auktoriserat serviceställe eller användning av icke godkända reservdelar rekommenderas inte och eventuella konsekvenser täcks inte av supporttjänster eller produktgarantier.

Undantag är skador genom otillbörlig användning eller användning som

inte står i enlighet med manualen. Till exempel, men inte begränsat till: Om produkten utsätts för väta, extrema temperaturer, miljöförhållanden, korrosion, oxidation, om vätskor spills över enheten, om kemiska substanser påverkar produkten eller genom andra händelser som inte rimligen kan härledas till tillverkaren.

Förutsättningen för hantering av serviceavdelningen är insändande av kvitto eller faktura.

All teknisk information, data och instruktioner gällande installation, anslutning och drift som denna bruksanvisning innehåller stämmer överens med den senast tillgängliga informationen vid tryckningstillfället.

Innehållet i denna manual kan skilja sig något från den faktiska produkten. Observera eventuella tillägg.

Alla företags- och produktnamn är varumärken som tillhör respektive ägare. © Alla rättigheter reserverade.

Se bakstycket av ägarens guide för importören informationen och din auktoriserade servicecenter.

## OBSAH

Dôležité Inštrukcie .....	146	Odstránenie Mriežky A Vrtule .....	156
Začínáme.....	149	Čistenie .....	157
Vlastnosti.....	151	Riešenie Problémov.....	158
Ovládacie Prvky .....	152	Informácie O Produkte .....	159
Ako Použiť .....	154	Záruka .....	160
Diaľkový Ovládač.....	155		



Utvecklad och konstruerad i USA.

© 2017 Vornado Air LLC Andover, KS 67002 U.S. patentsökt. Specifikationerna kan ändras utan föregående meddelande. Vornado® är ett varumärke som ägs av Vornado Air LLC.

# DÔLEŽITÉ INŠTRUKCIE PRED POUŽÍVANÍM SI PREČÍTAJTE VŠETKY INŠTRUKCIE.

Tento návod a všetky prídavné dodatky sú súčasťou produktu. Obsahujú dôležité informácie o bezpečnosti, používaní a likvidácii. Pred používaním produktu sa oboznámte so všetkými inštrukciami týkajúcimi sa prevádzky a bezpečnosti. Všetku dokumentáciu si odložte pre prípadné ďalšie použitie a odovzdajte ju spolu s produktom nasledujúcemu vlastníkovi. Najaktuálnejšiu verziu používateľskej príručky nájdete na našej webovej stránke.

V tejto príručke používateľa sa nachádzajú nasledujúce upozornenia:

## NEBEZPEČENSTVO

Označuje nebezpečenstvo s VYSOKOU úrovňou rizika, ktoré môže viesť, ak sa mu nepredídete, k usmrteniu alebo vážnemu zraneniu. Venujte, prosím, špeciálnu pozornosť všetkým inštrukciám poskytnutým na to, aby sa predišlo tomuto veľmi nebezpečnému riziku.

## VAROVANIE

Označuje nebezpečenstvo so STREDNOU úrovňou rizika, ktoré môže viesť, ak sa mu nepredídete, k usmrteniu alebo vážnemu zraneniu, malému alebo strednému zraneniu, alebo možnému poškodeniu majetku.

## DÔLEŽITÉ INŠTRUKCIE

Označujú doplnkové informácie, ktoré sú nápomocné pri zaobchádzaní so zariadením.

**ÚČEL POUŽÍVANIA:** toto zariadenie je určené na cirkuláciu vzduchu len vo vnútorných obytných priestoroch. Nie je určené na komerčné alebo priemyselné použitie.

Výrobca nepreberá žiadnu zodpovednosť za poškodenia spôsobené nedodržaním týchto inštrukcií, alebo nevhodným používaním produktu. Každé takéto konanie ruší platnosť záruky.

**VAROVANIE** - Pri používaní elektrických spotrebičov by sa vždy mali dodržiavať základné preventívne opatrenia, aby sa znížilo riziko požiaru, úrazu elektrickým prúdom a zranenia osôb vrátane nasledujúceho:

## VAROVANIE

**Riziko vyplývajúce z používania a zaobchádzania so zariadením iným spôsobom než na čo bolo určené. Dbajte na dodržiavanie nasledujúcich pokynov, aby ste sa vyhli ohrozeniu osôb a majetku.**

- Nepoužívajte tento produkt vonku, ani ho priamo nevystavujte vonkajším poveternostným podmienkam.
- Nepoužívajte toto zariadenie v tropickom vlhkom podnebí. Ak sa produkt prinesie z chladného do teplého prostredia (napr. počas prepravy), môže sa na jednotke vytvoriť kondenzát. Pred používaním nechajte zariadenie dosiahnuť izbovú teplotu.
- Nepoužívajte tento produkt na mokrom povrchu. Tento produkt nepoužívajte vo vani, sprche ani ho neumiestňujte tam, kde by mohol spadnúť do vane, prania, bazéna alebo iného kontajnera s vodou.
- Neponárajte tento produkt do vody ani nedovoľte, aby voda kvapkala do krytu motora.
- Nepoužívajte ho v blízkosti pecí, kozubov, sporákov alebo iných vysokoteplných zdrojov tepla.

- Neumiestňujte tento produkt do blízkosti závesov ani iných voľných textílií, mohli by byť vtiahnuté do produktu, zamedziť prúdeniu vzduchu a poškodiť motor.
- Neprenášajte tento produkt držaním za kábel, ani nepoužívajte kábel ako rúčku, lebo by sa mohlo poškodiť vnútorné elektrické vedenie. Produkt neodpájajte ťahaním za kábel, ani kábel nenamáhajte. Pri odpájaní zo siete uchopte zástrčku, nie sieťový kábel.
- Neumiestňujte kábel pod podlahovú krytinu. Nezakrývajte ho kobercami, behúňmi ani podobnými prikrývkami podlahy. Nevedte kábel pod nábytkom alebo spotrebičmi. Kábel umiestnite mimo oblasti pohybu a nie tam, kde by oň mohol niekto zakopnúť. Aby sa predišlo zakopnutiu, zviňte a umiestnite sieťový kábel na bezpečné miesto.

**ELEKTRICKÉ ZAPOJENIE:** na pripojenie do verejnej elektrickej siete je možné použiť len vhodnú sieťovú zásuvku so striedavým napätím 230 V a frekvenciou 50 Hz.

## NEBEZPEČENSTVO

**Riziko úrazu elektrickým prúdom. Dotyk vodičov alebo komponentov pod napätím môže mať smrteľné následky!**

- Nedotýkajte sa tohto produktu mokrými alebo vlhkými rukami.
- Nepoužívajte produkt, ak má poškodený kábel alebo zástrčku, alebo ak mal poruchu, spadol, alebo bol inak poškodený. Aby sa predišlo nebezpečenstvu, takýto produkt zlikvidujte, alebo ho odneste do autorizovaného servisného strediska na kontrolu a/alebo opravu.
- Ak je sieťový prívod poškodený, musí ho výrobca, alebo pracovník servisu, alebo iná kvalifikovaná osoba nahradiť novým. Predíde sa tak nebezpečenstvu.
- Nenaťahujte sieťový kábel, ani ho inak nenamáhajte.

- Nevkladajte, ani nedovoľte, aby sa cudzie predmety dostali do vstupných alebo výstupných otvorov, lebo by mohli spôsobiť úraz elektrickým prúdom, požiar, alebo poškodenie produktu.
- Pred odpojením vypnite všetky ovládacie prvky. Ak sa zariadenie nebude dlhšiu dobu používať, vytiahnite ho zo sieťovej zásuvky.
- Neotvárajte kryt zariadenia. Servis a opravy zariadenia sa musia robiť v autorizovanom servisnom stredisku Vornado. Predíde sa tak úrazu elektrickým prúdom. Môžu sa použiť len originálne náhradné diely.
- Počas búrky zariadenie z bezpečnostných dôvodov vždy odpojte od sieťovej zásuvky.

## VAROVANIE

**Nebezpečenstvo nesprávnej inštalácie. Dbajte na dodržiavanie nasledujúcich pokynov, vyhnite sa ohrozeniu osôb a majetku.**

- Zabezpečte, aby bola sieťová zásuvka ľahko dostupná a zariadenie sa dalo v prípade nebezpečenstva odpojiť.
- Nepoužívajte tento produkt so žiadnym externým (polovodičovým) zariadením regulovania rýchlosti, znížite tak riziko požiaru alebo úrazu elektrickým prúdom.
- Nepoužívajte zariadenie v okne, znížite tak riziko požiaru alebo úrazu elektrickým prúdom a poranenia osôb.

## VAROVANIE

**Nebezpečenstvo pre deti a iné rizikové skupiny osôb.**

- Toto zariadenie môžu používať deti od 8 rokov a osoby so zníženou fyzickou, zmyslovou alebo mentálnou schopnosťou, alebo nedostatkom skúseností a znalostí, ak sú pod dozorom, alebo im boli poskytnuté inštrukcie týkajúce sa používania zariadenia bezpečným spôsobom a chápu súvisiace riziká.

- Deti sa nesmú so zariadením hrať.
- Deti nesmú robiť čistenie a údržbu bez dozoru.
- Tento produkt a materiál, v ktorom je zabalený, nie sú hračky a mali by byť umiestnené mimo dosahu detí.

#### Informácia týkajúca sa vyhlásenia o zhode ES

Tento produkt zodpovedá všetkým relevantným a nevyhnutným smerniciam ES, ku ktorým patrí:

- Smernica o nízkonapäťových zariadeniach (LVD)
- Smernica o elektromagnetickej kompatibilite (EMC)
- Smernica o výrobkoch súvisiacich s energiou (ErP)
- Smernica o obmedzení používania určitých nebezpečných látok (RoHS)
- Registrácia, hodnotenie, autorizácia a obmedzovanie chemických látok (REACH)

**Kompletné vyhlásenie o zhode je zaregistrované a dá sa získať od dovozcu.**



**RECYKLOVANIE OBALU:** obal chráni zariadenie počas prepravy pred poškodením. Materiály použité na zabalenie sú vybrané vzhľadom na ohľaduplnosť voči životnému prostrediu a technológii likvidácie, a preto sú recyklovateľné.

- Všetok baliaci materiál zlikvidujte spôsobom šetrným k životnému prostrediu.



**Recyklovanie odpadu elektrických a elektronických zariadení (WEEE)**

- **Likvidácia odpadu elektrických a elektronických zariadení:** toto označenie znamená, že tento výrobok by nemal byť zlikvidovaný spolu s iným domácim odpadom. Platí to v celej EÚ. Aby sa predišlo poškodeniu životného prostredia, alebo ľudského zdravia nekontrolovanou likvidáciou odpadu, zodpovedne ho recyklujte podporovaním udržateľného využívania druhotných surovín. Na vrátenie použitého zariadenia použite systém zberných miest alebo kontaktujte predajcu, u ktorého ste výrobok zakúpili. Môžu tento produkt prebrať na recykláciu bezpečnú pre životné prostredie.



**Recyklovanie batérií**

- **LIKVIDÁCIA BATÉRIÍ** - Batérie sa musia zlikvidovať oddelene od produktu a nepatria do domáceho odpadu. Všetky druhy batérií likvidujte prostredníctvom schválených stredísk likvidácie alebo v miestnom stredisku likvidácie odpadu. Dodržujte aktuálne platné predpisy. V prípade pochybností sa obráťte na miestne stredisko likvidácie odpadu.

- Každý spotrebiteľ je povinný odovzdať všetky batérie a akumulátory, bez ohľadu na to, či obsahujú škodlivé látky\* alebo nie, na zberné miesta mesta alebo obchodu, aby mohli byť zlikvidované spôsobom šetrným k životnému prostrediu.

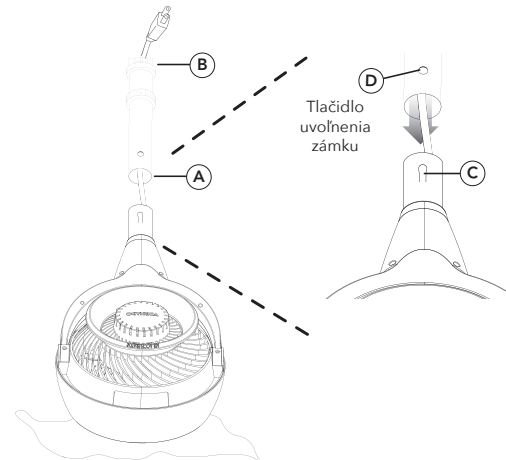
\*Identifikácia Cd = kadmium; Hg = ortuť; Pb = olovo

# ZAČÍNAME

**Inštalácia hlavy ventilátora** (iba model 6803DC)

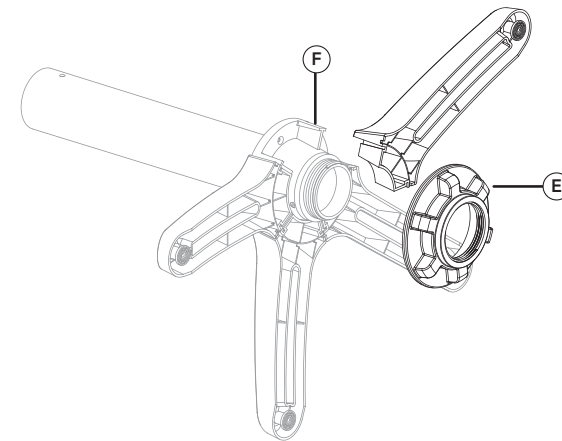
*Nie je nutné žiadne náradie!*

1. Opatrne umiestnite čelnú stranu hlavy ventilátora hlavou dole na podlahu na mäkkú tkaninu, aby nedošlo k poškriabaniu alebo poškodeniu jednotky. Vložte napájací kábel do hornej časti tyče (A) a vytiahnite zo spodnej časti (B). Zlícujte tlačidlo uvoľnenia zámku (C) na hlave ventilátora s otvorom (D) umiestnenou na tyči. Zatlačte tyč do hlavy ventilátora, kým tlačidlo uvoľnenia zámku nezapadne na svoje miesto.



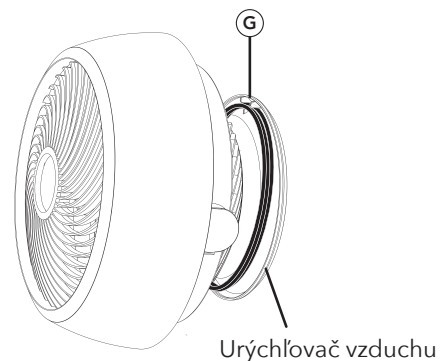
**Montáž podstavca** (iba model 6803DC)

1. Horná a dolná tyč sú predmontované pomocou upevňovacie matice (E) upevnené na spodnej strane základne. Otáčajte upevňovacou maticou proti zmyslu chodu hodinových ručičiek pre odstránenie.
2. Nohy sú navrhnuté tak, aby sa zmestili do drážok (F) na spodnej strane základne. Namontujte všetky nohy na tyč a potom nasadte upevňovaciu maticu otáčaním v zmysle chodu hodinových ručičiek pre zabezpečenie všetkých nôh na svojom mieste.



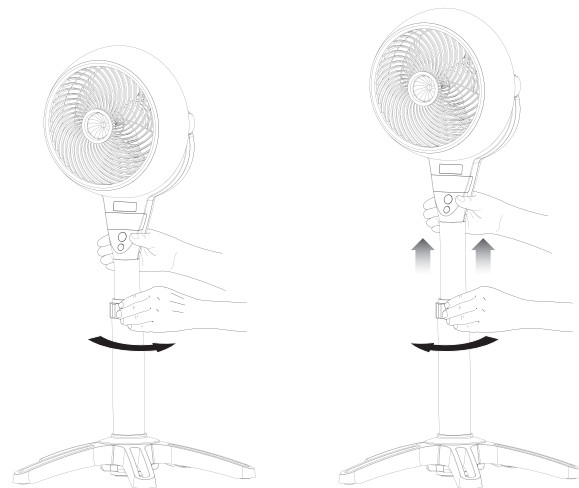
## Správa káblov

1. Omotajte kábel okolo urýchľovača vzduchu, ktorý sa nachádza na zadnej strane prístroja. Zaistíte kábel tromi svorkami (G), ktoré sa nachádzajú na pozícii 2, 6 a 10 hodín.



## Nastavenie výšky (iba model 6803DC)

1. Pred nastavením výšky hlavy ventilátora podprite hlavu ventilátora jednou rukou. Použite svoju druhú ruku, aby ste uvoľnili objímku nastavenia výšky opatrným otáčaním proti zmyslu chodu hodinových ručičiek.
2. Pomaly zvýšte alebo znížte tyč do požadovanej výšky a zaistíte na mieste otáčaním objímky nastavenia v zmysle chodu hodinových ručičiek až do utiahnutia.



# VLASTNOSTI

## SMEROVATEĽNÝ PRÚD VZDUCHU

Nasmerujte prúd vzduchu tam, kde ho chcete mať.

## ENERGIU SPORIACI ČASOVAČ

Časovač pre 1-12 hodín.

## DOTYKOVÉ OVLÁDANIE (99 RÝCHLOSTÍ)

Nastavenie rýchlosti pre každú úroveň pohodlia.

## DIALKOVÝ OVLÁDAČ

Pohodlie na dosah ruky.



## SPRÁVA KÁBLOV

Integrovaný prvok pre omotávanie káblov.

## DESIGN PRÍJEMNÝ PRE PRSTY

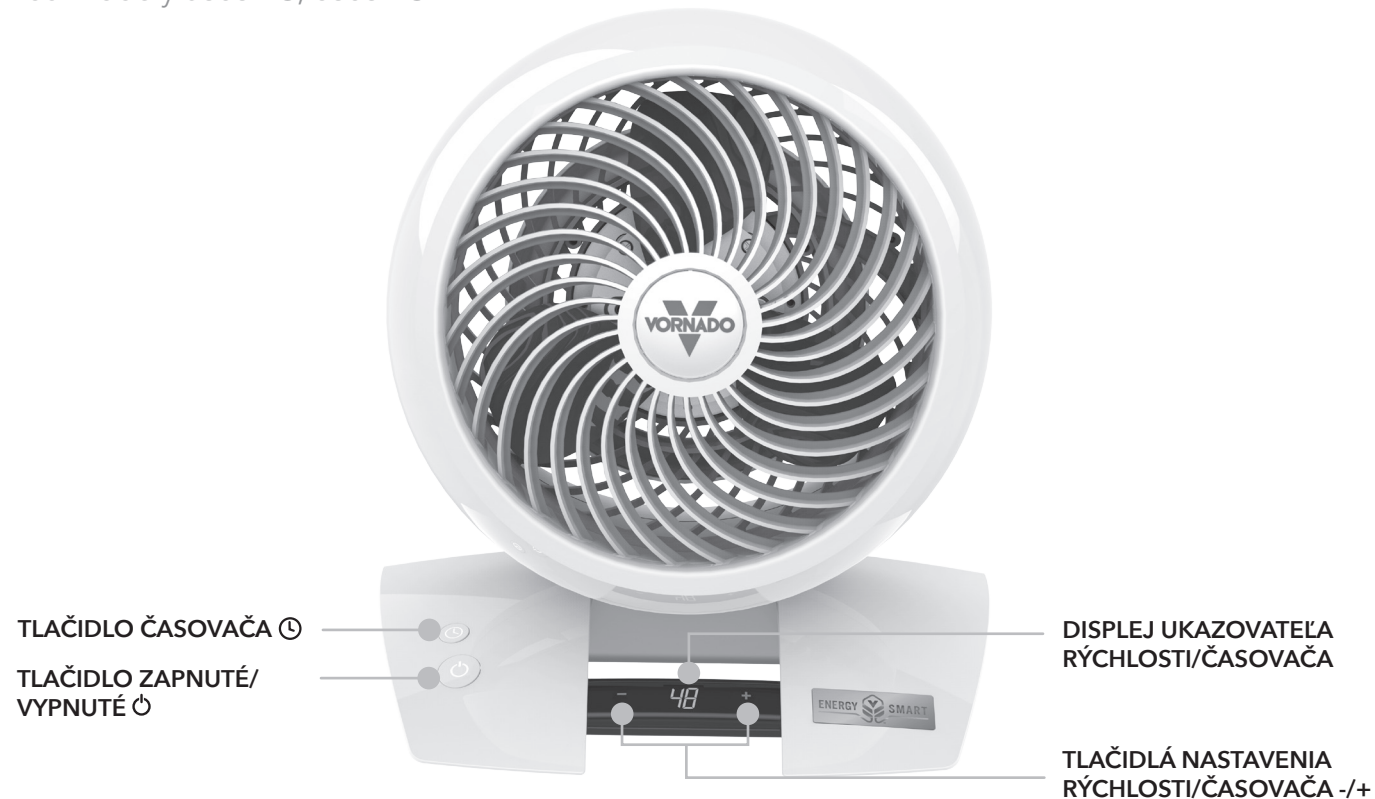
Odoľáva zvedavým prstom.

## SILIKÓNOVÁ NOHA

Pridaná stabilita bez tvorby znečisťujúcich stôp.

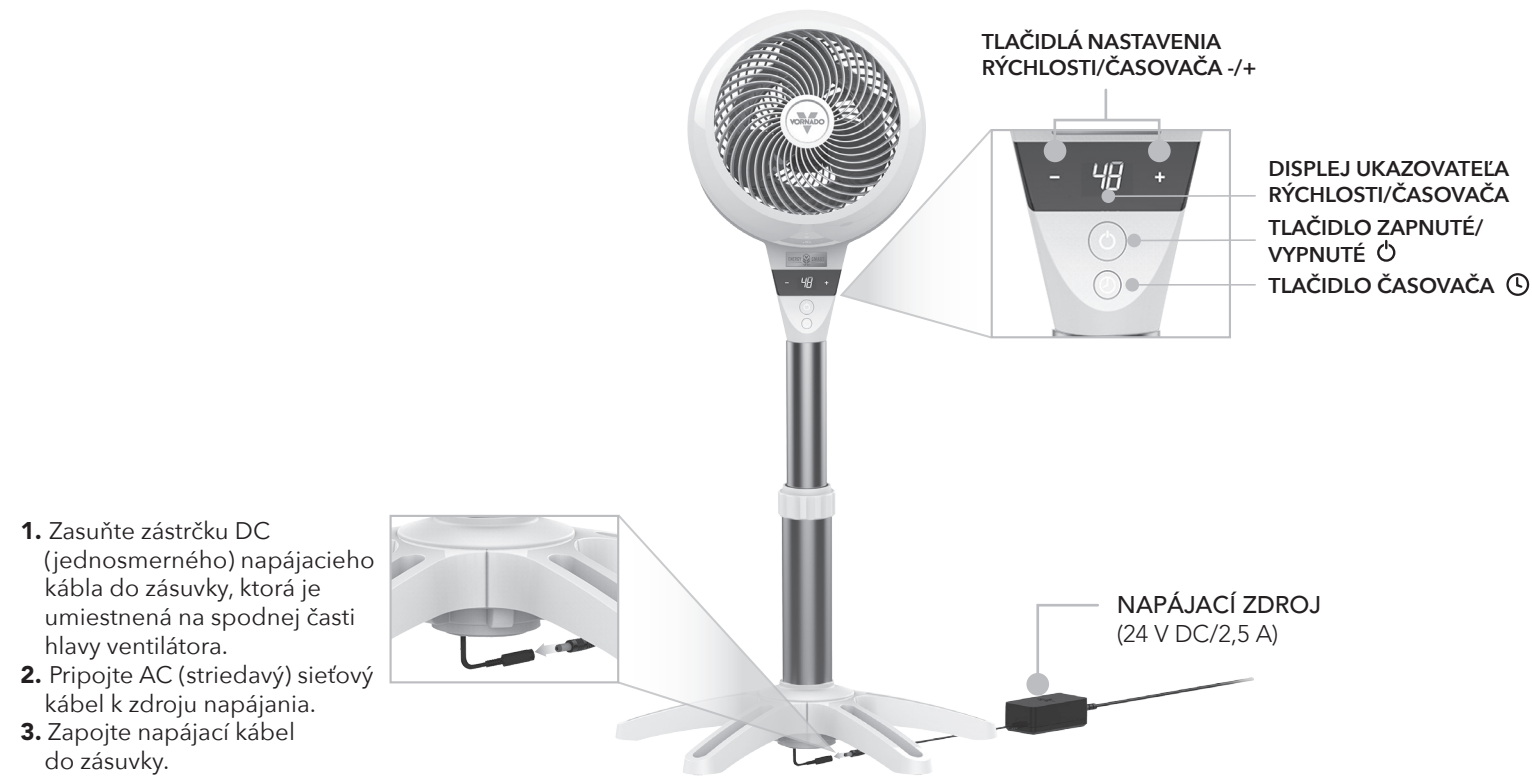
# OVLÁDACIE PRVKY

Iba modely 5303DC, 6303DC




# OVLÁDACIE PRVKY

Iba model 6803DC






# AKO POUŽIŤ

1. Dotknite sa pre aktiváciu .

 Váš ventilátor sa vráti k poslednému uloženému nastaveniu v pamäti.

2. Vyberte požadovanú rýchlosť stlačením **-/+**. Stlačením a pridržením **-/+** nastavte vyššiu alebo nižšiu rýchlosť v krokoch po 5 rýchlostných stupňoch. Rýchlosť je indikovaná číslom zobrazeným na displeji ukazovateľa rýchlosti/časovača.

3. Stlačte  pre aktiváciu časovača. Rozsvieti  sa a na displeji ukazovateľa rýchlosti/časovača bliká **0** pre indikáciu režimu nastavenia časovača. Keď sa nachádzate v tomto režime, vyberte dobu v hodinových intervaloch stlačením tlačidla **-/+**. Po troch sekundách sa blikanie zastaví a displej zobrazí hodiny pre indikáciu, že je časovač nastavený. Displej sa vráti k poslednej nastavenej rýchlosti. Dotykom  sa rýchlo dozviete, koľko hodín zostáva na časovači.



4. Ak chcete nastaviť časovač, zopakujte krok číslo tri.

5. Ak chcete časovač zrušiť, zopakujte krok číslo tri a nastavte časovač na **0**.

## SPRÁVA KÁBLOV

1. Omotajte kábel okolo urýchľovača vzduchu, ktorý sa nachádza na zadnej strane prístroja. Zaistite kábel tromi svorkami, ktoré sa nachádzajú na pozícií 2, 6 a 10 hodín.

# DIAĽKOVÝ OVLÁDAČ

Skrutkovač je vyžadovaný. 

Váš diaľkový ovládač ventilátora obsahuje (1) 3V CR2032 gombíkovú batériu. Batérie sú dodávané predinštalované. Odstráňte ochranný pásik pred prvým použitím.

1. Pre výmenu batérie diaľkového ovládača budete potrebovať jednu 3 V gombíkovú batériu CR2032. Vždy používajte v tomto výrobku batérie so správnym rozmerom a typom.

2. Ak chcete vymeniť batériu, otvorte kryt batérie na zadnej strane diaľkového ovládania (budete potrebovať pre uvoľnenie malej skrutky dvierok malý krížový skrutkovač č. 1). Ak je to potrebné, očistite pred inštaláciou batérie kontakty batérie a tiež kontakty v zariadení. Odstráňte plastickú ochranu z batérie a umiestnite batériu do diaľkového ovládača tak, aby strana + vyčnievala smerom von. Skontrolujte, že je batéria správne nainštalovaná s ohľadom na polaritu. Vráťte kryt batérie späť a zaskrutkujte.



TLAČIDLO ZAPNUTÉ/  
VYPNUTÉ 

TLAČIDLÁ  
NASTAVENIA  
RÝCHLOSTI/  
ČASOVAČA **-/+**

TLAČIDLO  
ČASOVAČA 

**Poznámka:** vyťahujte batériu z diaľkového ovládania, ak sa nepoužíva dlhšiu dobu a vždy ihneď vyťahnite vybitú batériu a nahraďte ju novú. Neskladujte vybité batérie v diaľkovom ovládači.

Funkcie diaľkového ovládania sú rovnaké ako funkcie na ovládacom paneli ventilátora.

Diaľkový ovládač vyžaduje priestor bez prekážok medzi prijímačom a vysielačom, aby bolo možné prijať signál ventilátorom. Namierte diaľkové ovládanie na panel displeja pre najlepší príjem.

# ODSTRÁNENIE MRIEŽKY A VRTULE

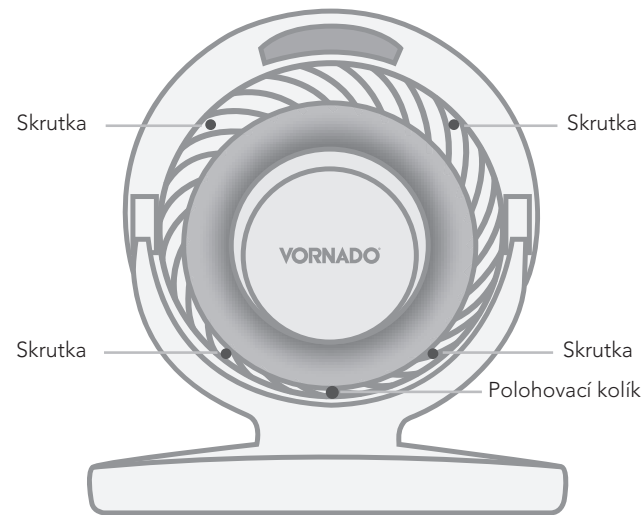
**VÝSTRAHA:** aby sa znížilo riziko úrazu elektrickým prúdom a zranenia osôb, odpojte ventilátor pred demontážou vrtule od elektrickej siete.

## ODOBERATEĽNÁ MRIEŽKA

1. Pomocou krížového skrutkovača odstráňte mriežku odskrutkovaním 4 skrutiek umiestnených pozdĺž obvodu vstupnej mriežky na približné pozícií 2, 5, 7 a 10 hodín. Tým sa mriežka uvoľní. Ak chcete vrátiť mriežku späť, umiestnite mriežku tak, aby bolo logo v strede mriežky v rovine. Zarovajte polohovací kolík pre opätovnú montáž mriežky. Po zarovnaní namontujte opäť skrutky.
2. Odstraňovanie prachu alebo omývanie vykonávajte jemným saponátom pre umývanie riadu. Nedávajte mriežku do umývačky riadu. Nadmerné teplo môže poškodiť plast.

## DEMONTÁŽ VRTULE

1. Je možné odstrániť vrtulu, keď sa nejaký objekt omotá okolo hriadeľa motora. Najprv odstráňte maticu z hriadeľa. Otáčaním matice v zmyslu chodu hodinových ručičiek sa matica uvoľní. Vytiahnite vrtulu spríamo von z hriadeľa. Pri montáži vrtule ju môžete nasadzovať na hriadeľ iba jedným spôsobom. Zaistíte, že plochá strana hriadeľa je zarovnaná priamo so zodpovedajúcou plochou stranou objímky vrtule. Zatlačte celú vrtulu na hriadeľ až na doraz. Nepoužívajte kladivo, pretože by ste mohli poškodiť ložiska. Znova nainštalujte maticu.
2. Utrite vrtulu vlhkou handričkou. Pokiaľ sa ventilátor používa v masťnom prostredí, ako je napríklad kuchyňa, môže byť nevyhnutné očistenie mydlom alebo saponátom pre domácnosť. Nepoužívajte rozpúšťadlá.



# ČISTENIE

Pretože váš výrobok spracováva značné množstvo vzduchu, je nevyhnutné pravidelné čistenie pre odstránenie prachu, chlпов a nečistôt. Nikdy nečistite produkt spôsobom, ktorý nie je uvedený v návode na obsluhu.

## ⚠ VÝSTRAHA

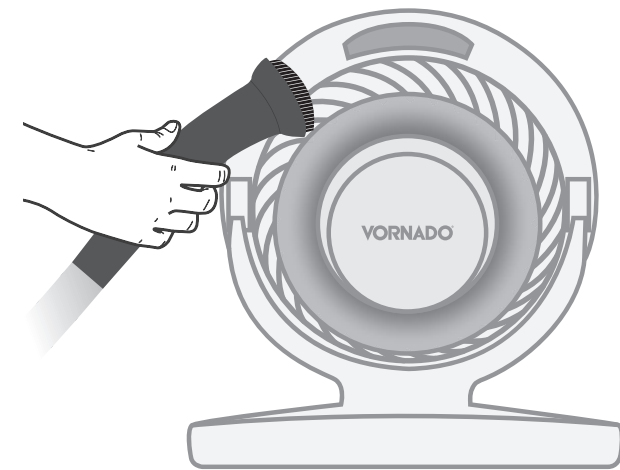
**Dodržiavajte nasledujúce bezpečnostné pokyny, aby sa zabránilo rizikám a škodám na majetku.**

- Odpojte váš výrobok pred čistením.
- Nepoužívajte benzín, riedidlá, rozpúšťadlá, čpavok alebo iné chemikálie na čistenie.
- Nesnažte sa vykonávať opravu alebo výmenu dielov.



Motor je trvalo mazaný a nevyžaduje žiadne ďalšie mazanie.

1. Odstraňovanie prachu alebo otieranie ventilátora vykonávajte vlhkou handričkou.
2. Použite kefový nástavec na vašom vysávači pre odstránenie všetkého nahromadeného prachu.



# RIEŠENIE PROBLÉMOV

## PROBLÉM

## MOŽNÁ PRÍČINA A RIEŠENIE

Zariadenie sa nedá zapnúť.	<p>Zariadenie nie je pripojené do elektrickej siete. Zasuňte sieťový kábel do elektrickej zásuvky.</p> <p>Uistite sa, že je zvolená rýchlosť ventilátora.</p> <p>Zariadenie je poškodené alebo potrebuje opravu. Prestaňte zariadenie používať a odpojte ho od elektrickej siete. Obráťte sa na stredisko služby zákazníkom.</p> <p>Elektrická zásuvka je opotrebovaná alebo poškodená. Použite inú zásuvku, alebo sa obráťte na kvalifikovaného elektrikára.</p>
Prúdenie je slabé alebo pomalé.	<p>Jednotka je nastavená na nízku rýchlosť. Nastavte vyššiu rýchlosť.</p> <p>Prúdenie vzduchu je blokované. Odstráňte prekážku.</p> <p>Nastavte smer prúdenia vzduchu na používateľa.</p>
Prúdový chránič vypol zariadenie.	<p>Za istých okolností sa môže stať, že prúdový chránič v zásuvke odpojí zariadenie, napr. keď používateľ mení rýchlosti na ventilátore Vornado. V takomto prípade pripojte zariadenie do zásuvky, ktorá nie je pripojená k prúdovému chrániču. Môže to tiež svedčiť o tom, že prúdový chránič je slabý alebo poškodený. Obráťte sa na kvalifikovaného elektrikára, aby skontroloval zásuvku s prúdovým chráničom.</p>
Dialkový ovládač nepracuje.	<p>Batéria je vybitá. Vymeňte ju za novú 3 V batériu CR2032. (Pozri DIALKOVÝ OVLÁDAČ.)</p> <p>Dialkový ovládač vyžaduje priamu viditeľnosť dráhy pre signál do veže. Vežu umiestnite tak, aby prijímacia šošovka (vnútri „V“ loga Vornado) bolo viditeľná od diaľkového ovládača.</p>

# INFORMÁCIE O PRODUKTE

Model(y):			5303DC-EU	6303DC-EU
Opis	Symbol	Jednotka	Hodnota	Hodnota
Vstupné napätie		V	220-240	220-240
Frekvencia sieťového napätia		Hz	50	50
Trieda ochrany		Class	IPX0	IPX0
Rozmery		W x H x D (cm)	18 x 30 x 27	21 x 37 x 31
Hmotnosť		Approx. (g)	1,805	2,522
Vstupný výkon ventilátora	P	Watts (W)	31.10	52.51
Maximálny prietok	F	m <sup>3</sup> /min	22.68	31.37
Hodnota energetickej efektívnosti	SV	(m <sup>3</sup> /min)/W	0.73	0.60
Spotreba v pohotovostnom režime	P <sub>SB</sub>	Watts (W)	0.41	0.35
Hladina vyžiarého hluku	L <sub>WA</sub>	dB(A)	58	57
Maximálna rýchlosť vzduchu	c	m/sec	3.21	4.62
Norma merania pre hodnoty energetickej efektívnosti	IEC 60879: 1986 corr(1992) GB/T 13380-2007			
Kontaktné údaje na získanie podrobnejších informácií	Vornado Air LLC 415 East 13th Street Andover, KS 67002 USA			





# OBMEDZENÁ ZÁRUKA\*

Očakávame, že tento produkt je dokonalý. Ak s týmto produktom nie ste spokojní, dajte nám vedieť.

## \*Obmedzená záruka a oprava obchodných podmienok

Dobrovoľné desaťročná výrobcu dostanete od dátumu nákupu materiálov a vyhotovenia výrobku. Táto rozšírená záruka výrobcu je platná pre všetkých zákazníkov v Európe. Právne záruky sú ovplyvnené týmto nariadením.

Výrobca nepreberá žiadnu zodpovednosť za poškodenie spôsobené nedodržaním týchto inštrukcií, alebo nevhodným použitím výrobku. Každé takéto počínanie zruší záruku výrobku.

Táto záruka sa nevzťahuje na chyby vyplývajúce z nesprávneho použitia výrobku, na zmeny, úpravy, opravy alebo servis výrobku vykonané niekým iným než spoločnosťou Vornado alebo autorizovaným servisným strediskom, na neodbornú manipuláciu, nevhodnú údržbu, komerčné používanie, na poškodenia, ku ktorým dôjde počas prepravy alebo sú zapríčinené vyššou mocou.

Akékoľvek neautorizované zmeny a opravy vykonané v neautorizovaných strediskách opravy, alebo použitie neschválených náhradných dielov sa neodporúča a žiadne dôsledky nebudú kryté podpornými službami ani zárukami.

Zo záruky sú vylúčené poškodenia v dôsledku nevhodného použitia výrobku, alebo použitia inak než podľa návodu. Napríklad, ale nielen: ak je výrobok vystavený vlhku, extrémnym teplotám, podmienkam prostredia, korózii, oxidácii, ak sa tekutiny vylejú na zariadenie, ak chemické látky pôsobia na výrobok, alebo iné prípady, na ktoré nemá výrobca vplyv.

Predpokladom na prijatie zariadenia v servisnom oddelení je predloženie účtenky alebo faktúry.

Všetky technické informácie, údaje a inštrukcie na inštaláciu, pripojenie a prevádzku obsiahnuté v tomto návode na používanie zodpovedajú najnovším dostupným informáciám v čase vytlačenia.

Obsah tohto návodu sa môže nepatrne líšiť od skutočného výrobku. Všimnite si všetky prídavné informácie.

Všetky názvy spoločností a názvy výrobkov sú obchodné značky ich vlastníkov. © Všetky práva vyhradené.

Označovať zadný kryt vlastníka príručka pre informácie o dovozcovi a autorizovaného servisného strediska.



Dizajn a návrh v USA.

© 2017 Vornado Air LLC Andover, KS 67002 USA. Prerokovaná patentová prihláška. Špecifikácie podliehajú zmenám bez upozornenia. Vornado® je obchodná značka spoločnosti Vornado Air LLC.