

# Motorized Projector Screen

## USER'S GUIDE



**Thank you for choosing the Motorized Projection Screen! Please read through this user guide before using the screen. Correct usage and maintenance will ensure a long product life.**

### **Important Safety & Warning Precautions**

1. Please retain this user's guide for future reference.
2. To avoid accident, please follow manufacturer's recommendations and do not use any improper accessory.
3. Handle the unit carefully during transportation to avoid any damages.
4. To ensure safe and reliable operation, direct connection to a properly grounded power source is advised.
5. The power outlet supplying power to the unit should be close to the unit and easily accessible.
6. Do not install the unit on uneven or inclined surfaces.
7. Do not put heavy objects on the power cord and position it properly to avoid creating a trip obstacle.
8. Please do not overload power cord, the overloading can result in fire or electric shock.
9. There is no any serviceable part for user inside this unit. Please do not attempt to disassemble this unit by yourself.
10. Only authorized technicians can open and repair this unit.
11. Make sure the power source this unit is connected to has a continuous power flow.
12. If there is need to use an extension cord, make sure the cord has an equal rating as the appliance to avoid overheat.
13. Do not handle the power plug when your hands are wet or your feet are in contact with water.
14. Cut off the power supply first before transportation or maintenance.
15. Fully disconnect from the power supply when the unit is not in use for a long period of time, as should be done with any other electric household appliance.

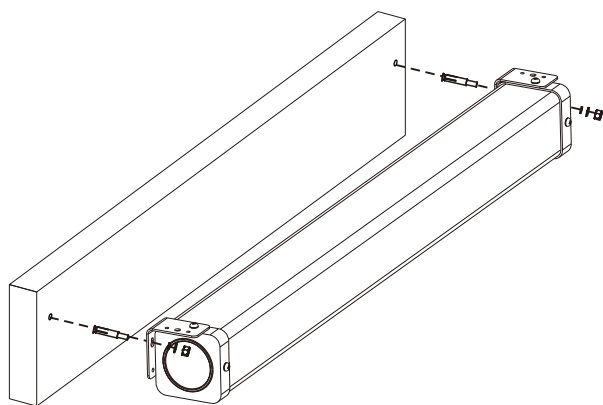
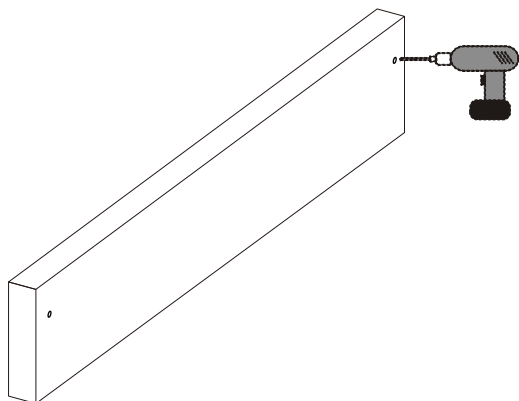
**Do not use this unit under the following circumstances.**

1. The operation environmental humidity or temperature too high such as the direct sunshine, rain shower, etc.
2. There is fire source nearby or the product is located in any other high temperature environment.
3. Product is broken down or there is obvious damage on any component.
4. Other extreme weathers such as heavy rain, thunder, typhoon, etc.

## Installation Instruction

**Wall mounting option:**

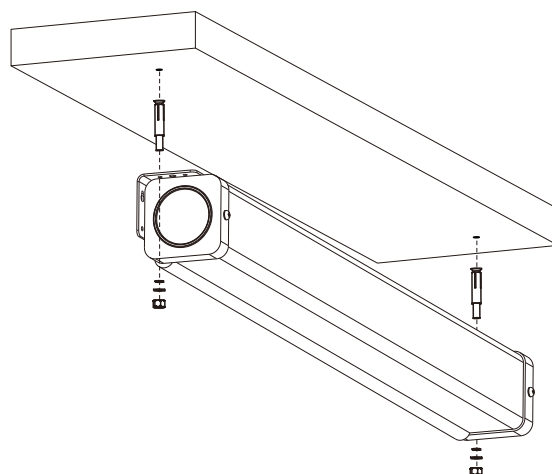
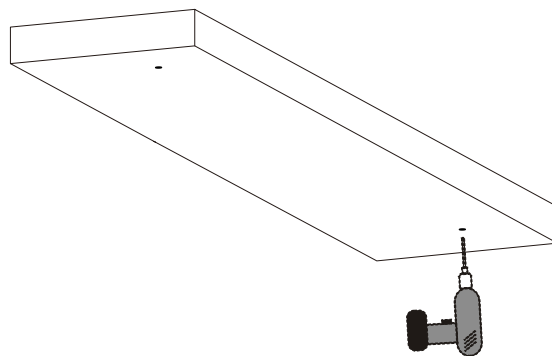
Mark the 2 mounting holes on wall, and drill the 2 holes. Then, insert screws with 2 hollow anchors as shown , and tighten all screws.



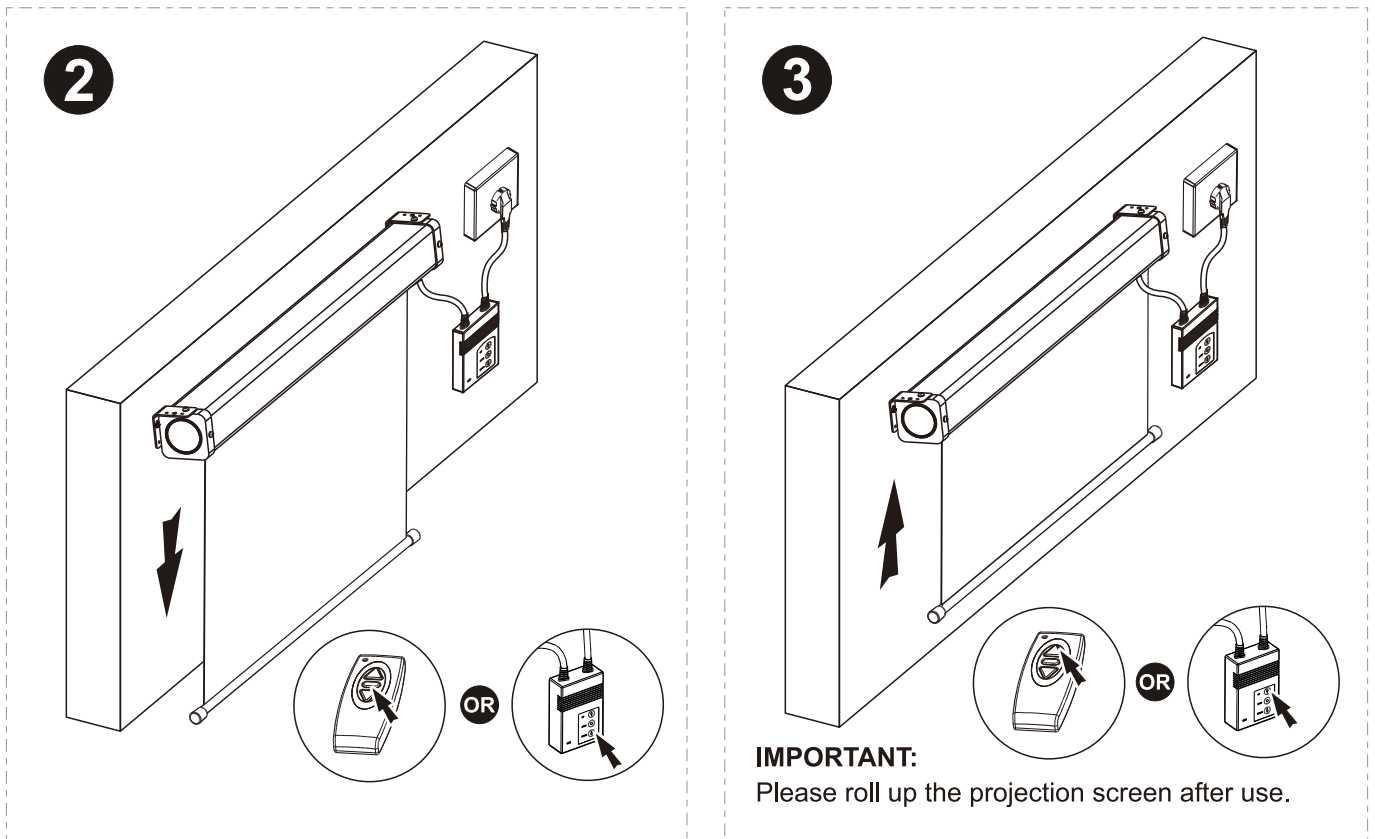
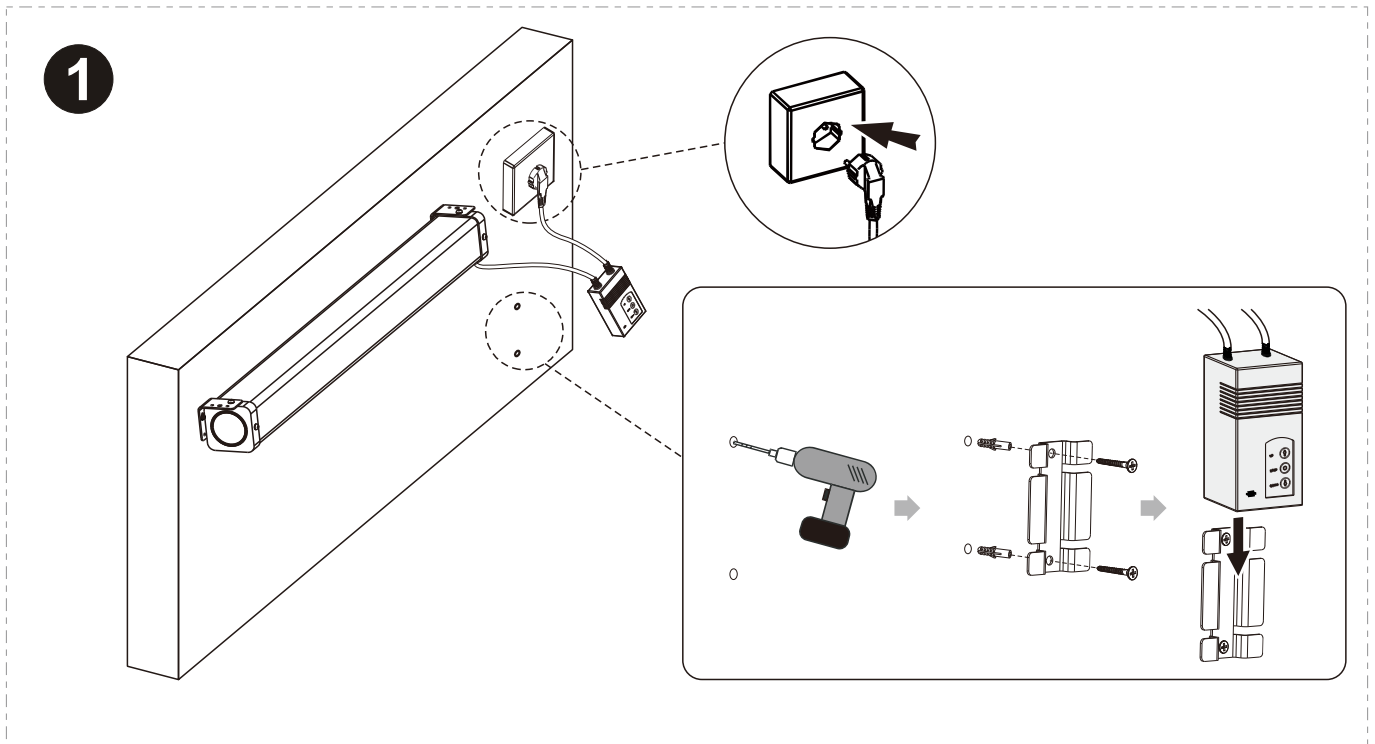
OR

**Ceiling mounting option:**

Mark the 2 mounting holes on ceiling, and drill the 2 holes. Then, insert screws with 2 hollow anchors as shown and tighten all screws.



# Operation



1. Connect the projection screen to power.

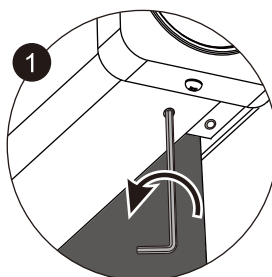
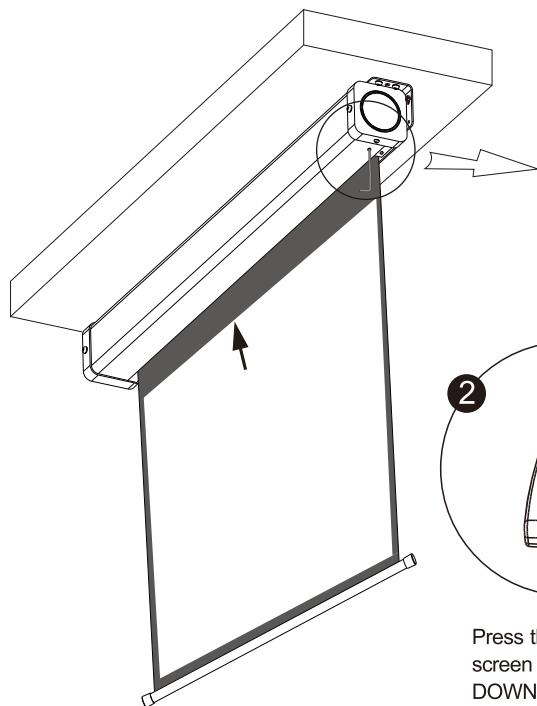
2. Either press the DOWN button on the RF remote control or the DOWN button on the receiver, the screen will drop to your desired height, as shown in fig.4 .

3. Either press the UP button on the RF remote control or the UP button on the receiver, the screen will withdraw to your desired height, as shown in fig.5.

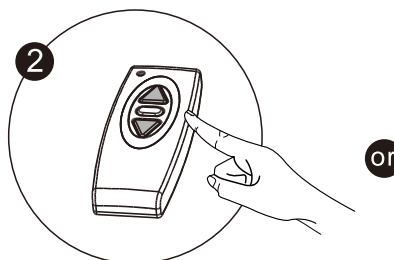
**Note:** Please completely roll up the screen while not in use.

# Adjusting the Drop Limit of the Fabric

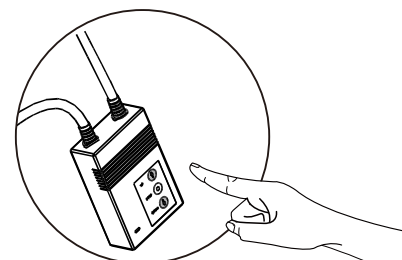
## 1a To Reduce the Drop Limit:



Insert the 4mm Allen Key into the adjusting hole on the front right of the projection screen (as facing the screen) and turn counter-clockwise. Do this step when screen is not moving.

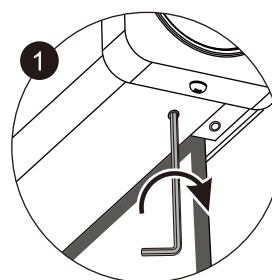
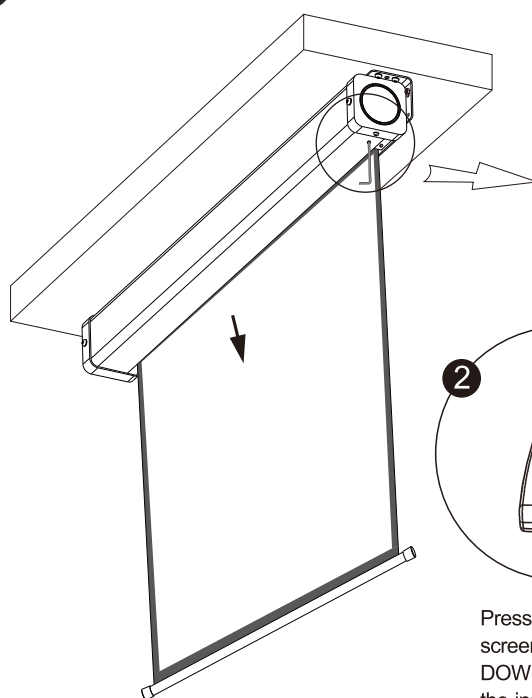


or

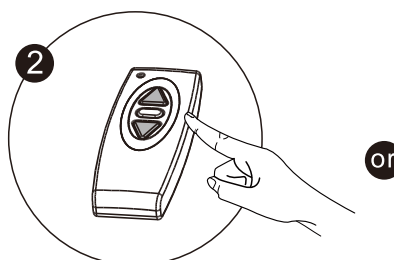


Press the UP button on the RF remote control/the receiver to retract the screen and press the STOP button to stop the retraction, then press the DOWN button to see if the screen drops to the desired position. Repeat the instructions mentioned above until the screen drops to the desired position.

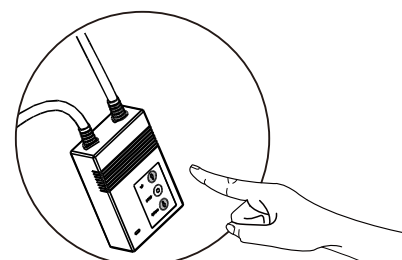
## 1b To Increase the Drop Limit:



Insert the 4mm Allen Key into the adjusting hole on the front right of the projection screen (as facing the screen) and turn clockwise. Do this step when screen is not moving.



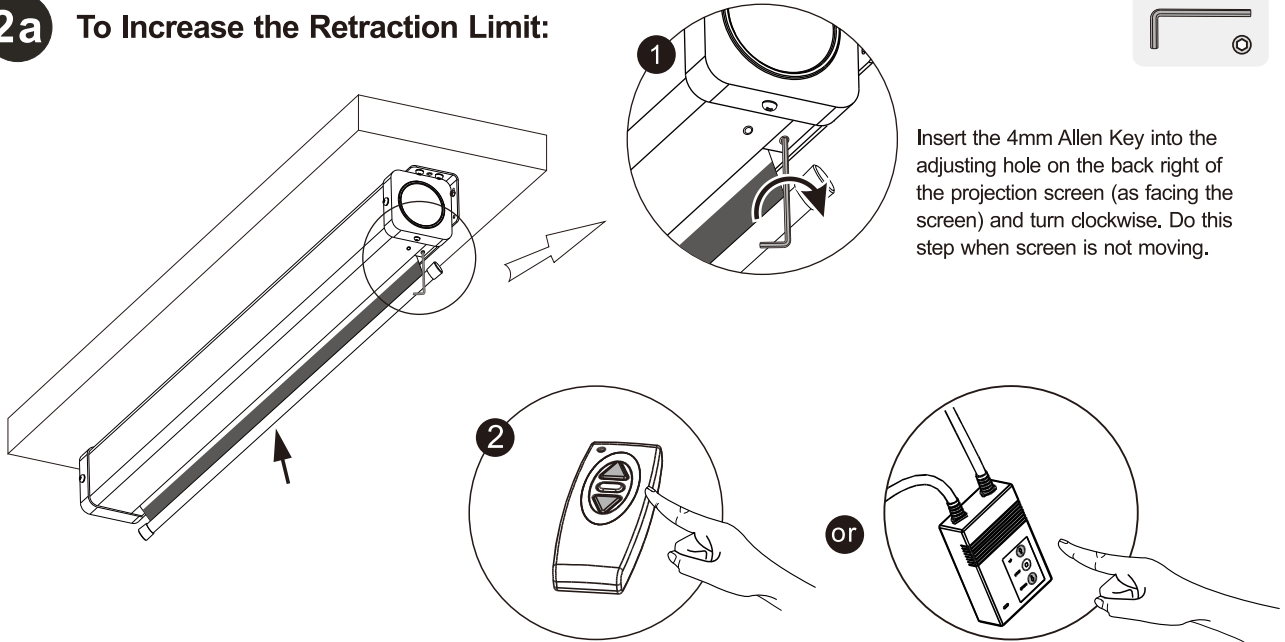
or



Press the UP button on the RF remote control/the receiver to retract the screen and press the STOP button to stop the retraction, then press the DOWN button to see if the screen drops to the desired position. Repeat the instructions mentioned above until the screen drops to the desired position.

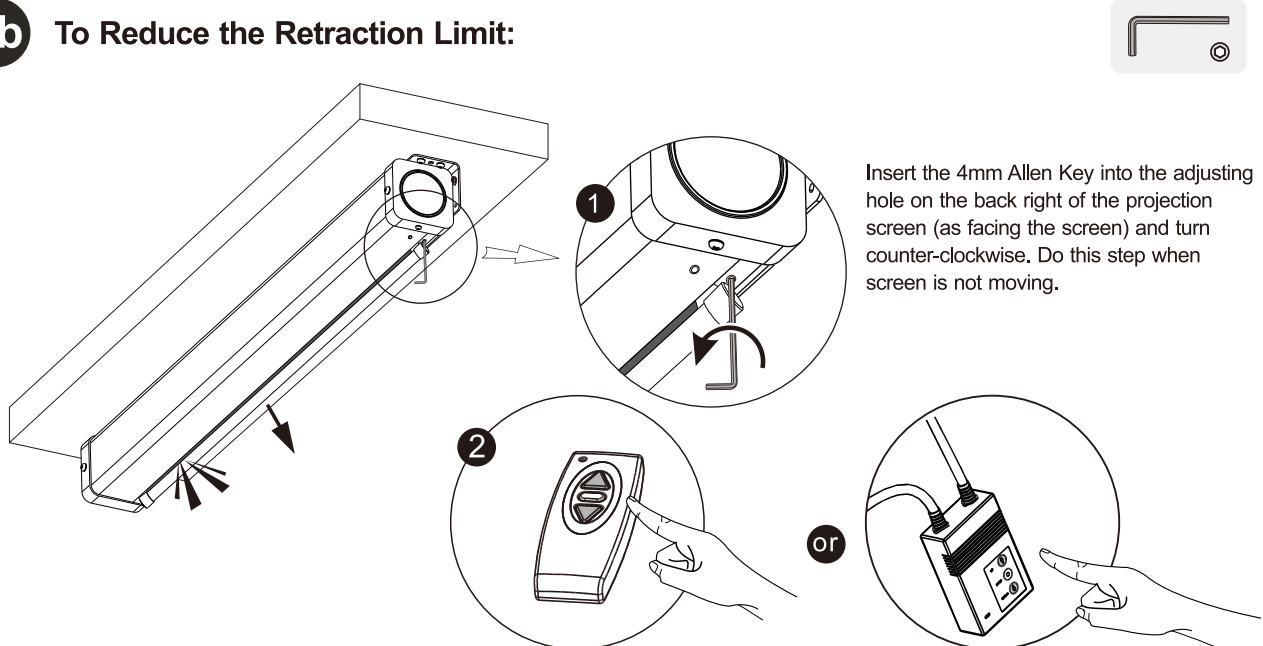
# Adjusting the Retraction Limit on the Screen Fabric

## 2a To Increase the Retraction Limit:



Press the DOWN button on the RF remote control/the receiver to drop the screen and press the STOP button to stop the movement, then press the UP button to see if the screen retracts to the desired position. Repeat the instructions mentioned above until the screen drops to the desired position. Recommend that rod retracts to 1cm away from the case.

## 2b To Reduce the Retraction Limit:



Press the DOWN button on the RF remote control/the receiver to drop the screen and press the STOP button to stop the movement, then press the UP button to see if the screen retracts to the desired position. Repeat the instructions mentioned above until the screen drops to the desired position. Recommend that rod retracts to 1cm away from the case.

# How to exclude the malfunction of ESA series -Electric Projection Screen

1. Check the transmitter's battery power is enough or not, please change the battery when the signal is weak.

2. After changing the transmitter's battery, still no response from screen when press the transmitter, you may need to reset the transmitter, and correct the code of the receiver, steps are as follows : (Keep pressing the "Down" button of the receiver while connecting the power, release the "Down" button, and press the "Up" button, then press the "Stop" button, there will be a "di" sound, which means code matched. Note: All the steps above should be finished within 10 seconds).



