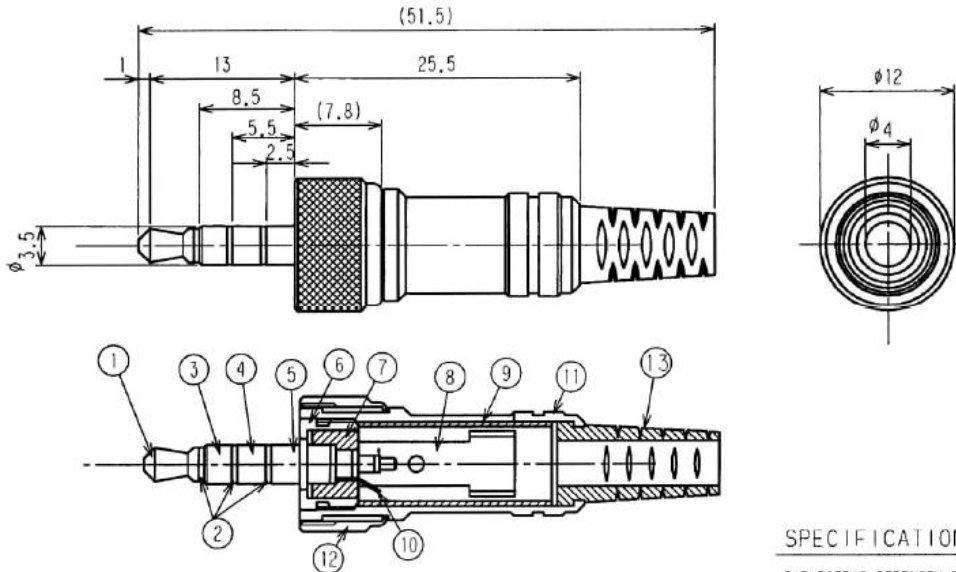


Data Sheet



SPECIFICATION
 DIELECTRIC STRENGTH:500V AC FOR ONE MINUTE.
 CONTACT RESISTANCE:50mΩ MAX
 INSULATION RESISTANCE:100MΩ MIN.AT 500V DC.

13	PROTECTOR	PVC								
12	LOCKING RING	BSBM	Ni-P							
11	CAP	BSBM	Ni-P							
10	RING B TERMINAL	STEEL	Ni-P							
9	INSULATOR C	PVC								
8	SLEEVE TERMINAL	BSR	Ni-P	TOLERANCE		DATE	DESING	DRAW	INSPE	APRO
7	INSULATOR B	PBT		±0.3		06/5/1	K.S	N.I	K.S	M.K
6	METAL	PC								
5	SLEEVE	BSBM	Ni-P	MODEL		QTY	PART NAME	4-COR. MINIATURE PLUG		
4	RING B	BSBM	Ni-P					No. MLR-034P		
3	RING A	BSBM	Ni-P	MATERIAL			DRAW.NO	MLR034P		
2	INSULATOR A	POM								
1	TIP	BSBM	Ni-P	FINISH						
No	PART NAME	MATERIAL	FINISH							