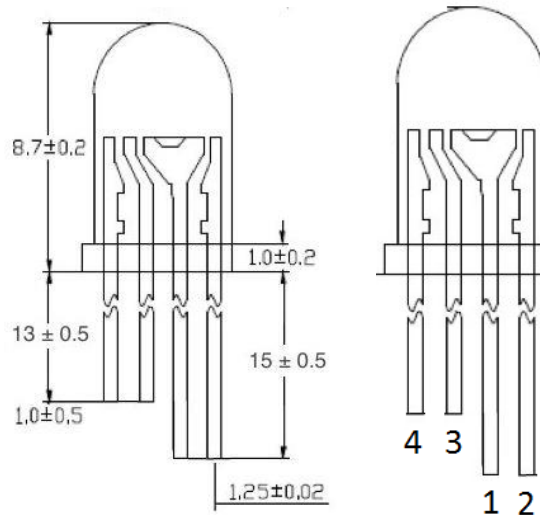


1. Color: RGB color
2. Size: 5mm, waterclear / customized by big quantity.
3. SK6812 IC embedded, each LED can be controlled individually
4. Internal frequency up to 800K Hz
5. Support 256 dimming level for each color
6. To be controlled by external MCU to achieve target image
7. No external component required

**Dimensions**



**Note:**  
**1: GND**  
**2: DO**  
**3: VDD**  
**4: DIN**

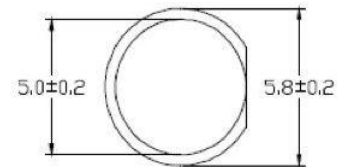


Abbildung ähnlich  
 All dimensions are in millimeter (inch);  
 Tolerance is ± 0.25mm (0.01") unless other specified;  
 Specifications are subject to change without notice.

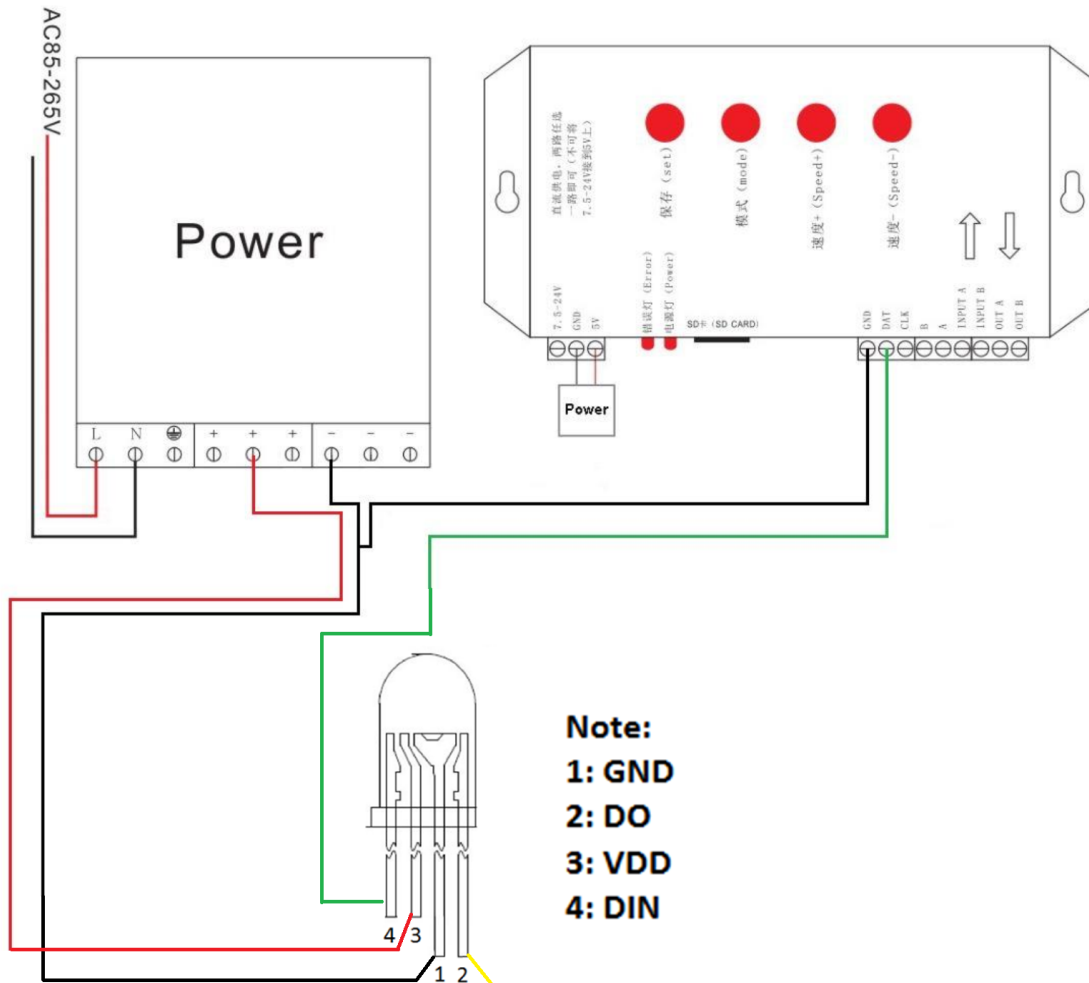
**Maximum Ratings**

|                        |            |
|------------------------|------------|
| <b>Forward Current</b> | 15-20mA    |
| <b>Reverse Current</b> | 10UA       |
| <b>Forward Voltage</b> | DC 4.5V-6V |

**Details**

|                       |          |
|-----------------------|----------|
| <b>Emitting color</b> | RGB      |
| <b>Greyscale</b>      | 256      |
| <b>Size</b>           | 5mm      |
| <b>Package</b>        | 1000/bag |

Notes:  
 Tolerance of measurements of forward voltage ± 0.2V.  
 Electrostatic sensitive device when handling, please use anti-electrostatic gloves.  
 Please do not apply stress to the resin at high temperature.



**Note:**  
**1: GND**  
**2: DO**  
**3: VDD**  
**4: DIN**

**Data OUT for next LED Data IN**

**Bitte beachten Sie bei der Auswahl des Controllers bzw. der Stromversorgung die o.g. technischen Spezifikationen**

Je nach Anzahl der verwendeten Pixel eignen sich folgende Controller

| Bestell-Nr.: | Teile-Nr.:      | Maximale Pixelanzahl           |
|--------------|-----------------|--------------------------------|
| 1575821      | RGB-CON-SP105E  | max. 2048 Pixel                |
| 1575783      | RGB-CON-T-1000S | max. 2048 Pixel                |
| 1575831      | RGB-CON-T-4000  | max. 4096 Pixel (4x1024 Pixel) |
| 1575832      | RGB-CON-T-8000  | max. 8192 Pixel (8x1024 Pixel) |

Je nach Anzahl der verwendeten Pixel eignen sich folgende Stromversorgungen:

| Bestell-Nr.:        | Teile-Nr.:   | Eigenschaften              |
|---------------------|--------------|----------------------------|
| RGB-TRAFO-5V-35W-I  | 1575815 - 62 | Trafo 5V 35W Innenbereich  |
| RGB-TRAFO-5V-60W-I  | 1575816 - 62 | Trafo 5V 60W Innenbereich  |
| RGB-TRAFO-5V-200W-I | 1575817 - 62 | Trafo 5V 200W Innenbereich |
| RGB-TRAFO-5V-350W-I | 1575818 - 62 | Trafo 5V 350W Innenbereich |