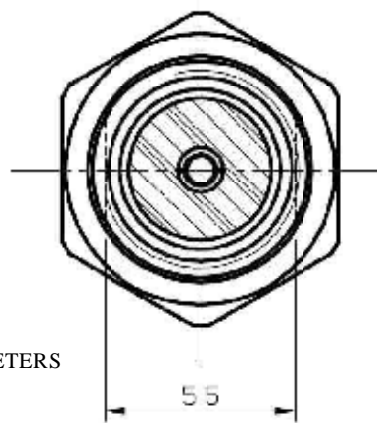
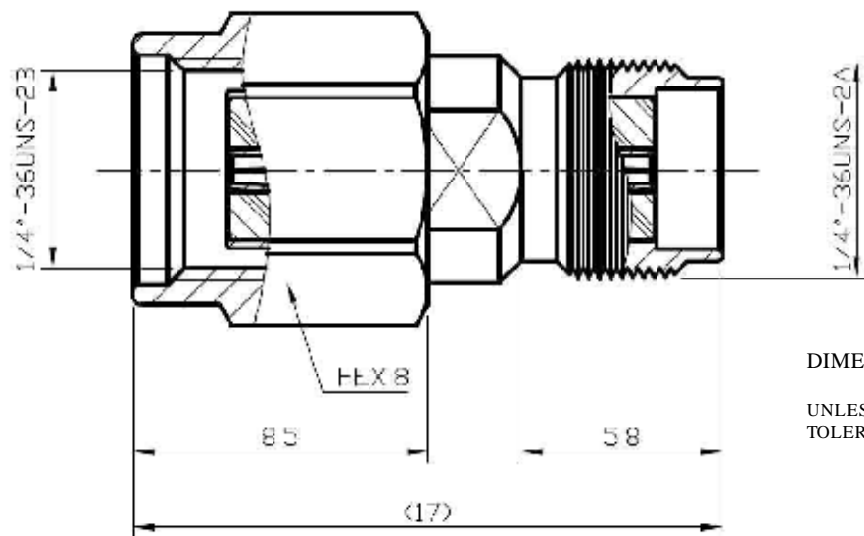


Datenblatt



DIMENSIONS ARE IN MILLIMETERS

UNLESS OTHERWISE SPECIFIED
 TOLERANCES 0.5-6=±0.2
 6-30=±0.4
 30-120=±0.6
 120-315=±1.0
 315-1000=±1.6
 1000-2000=±2.4

| | | | | |
|----|----------------------|-----------------|------|--------|
| 06 | BODY | BRASS | 1 | GOLD |
| 05 | CENTER PIN | PHOSPHOR BRONZE | 1 | GOLD |
| 04 | INSULATOR | TEFLON | 1 | — |
| 03 | INNER RETAINING RING | STAINLESS STEEL | 1 | — |
| 02 | GASKET | SILICONE | 1 | RED |
| 01 | SHELL | BRASS | 1 | GOLD |
| NO | DESCRIPTION | MATERIAL | Q'TY | FINISH |

NOMINAL IMPEDANCE : 50Ω
 FREQUENCY RANGE : 0 ~ 6GHz
 VSWR : 1.2 MAX

RoHS COMPLIANT

TITLE: REVERSE POLARITY SMA MALE TO SMA FEMALE ADAPTOR