

Data Sheet

Rocker Switch

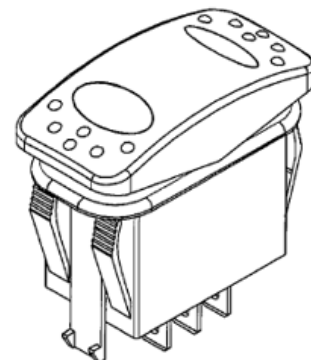
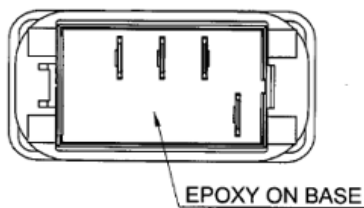
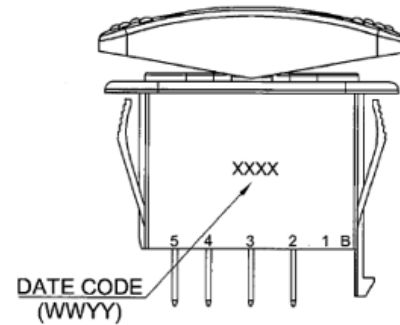
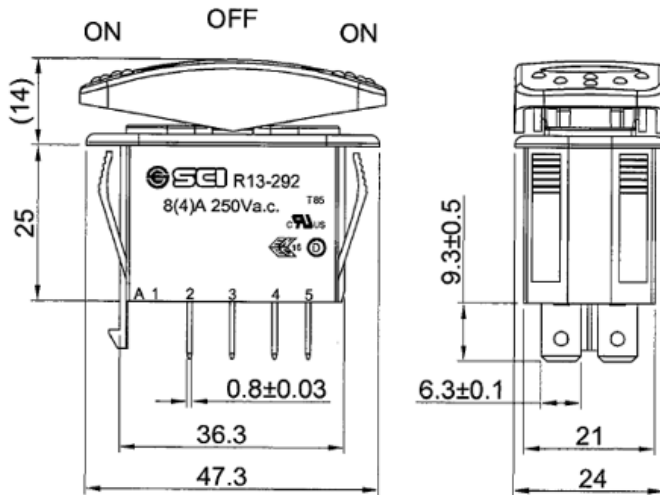
Rating	8(4)A 250V AC		Mounting Hole 	Circuit Diagram 									
Contact Resistance	50m ohm Max.												
Insulation Resistance	DC 500V 100M ohm Min.												
Dielectric Strength	AC 1500V 1 minute												
Operation Temperature	-0~+85°C												
Switch Function	4P SPDT ON-OFF-ON												
		<table border="1"> <thead> <tr> <th>Thickness(mm)</th> <th>X(mm)</th> <th>Y(mm)</th> </tr> </thead> <tbody> <tr> <td>0.75-1.25</td> <td rowspan="3">21.0^{+0.3}₀</td> <td>36.5±0.1</td> </tr> <tr> <td>1.25-2.0</td> <td>36.8±0.1</td> </tr> <tr> <td>2.0-3.0</td> <td>37.0±0.1</td> </tr> </tbody> </table>	Thickness(mm)	X(mm)	Y(mm)	0.75-1.25	21.0 ^{+0.3} ₀	36.5±0.1	1.25-2.0	36.8±0.1	2.0-3.0	37.0±0.1	R1/R2=100Kohm/2010 D1/D2=M4/400V LED 1, Red: Vf=2.4V, IV=100 mcd LED 2, Green: Vf=2.7V, IV=715 mcd
Thickness(mm)	X(mm)	Y(mm)											
0.75-1.25	21.0 ^{+0.3} ₀	36.5±0.1											
1.25-2.0		36.8±0.1											
2.0-3.0		37.0±0.1											



Materials:

- Frame: Nylon-66(94V-2), Black.
- Actuator: Nylon-66+33%GF, Black.
- Lens 1: PC, Red Transparent.
- Lens 2: PC, Green Transparent.
- Led 1: Red.
- Led 2: Green.
- Terminals A2, A3, A4: Silver plated copper.
- Terminal B5: Brass.

*Sealed: IP67 when base fill epoxy.



TOLERANCE: ±0.3mm UNLESS OTHERWISE SPECIFIED.