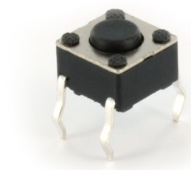


# Datasheet

Item no. TC-TS250

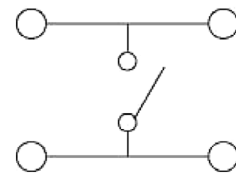
1. Rating: DC12V 50mA
2. Contact Resistance : 50mΩ max(initial)
3. Insulation Resistance: 100MΩ
4. Electrically Life: 100gf 100,000 cycles  
                           160gf 80,000 cycles  
                           250gf 60,000 cycles
5. Travel: 0.25±0.1mm
6. General tolerance: ±0.1mm



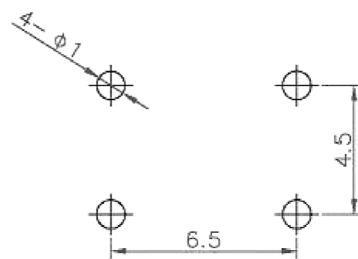
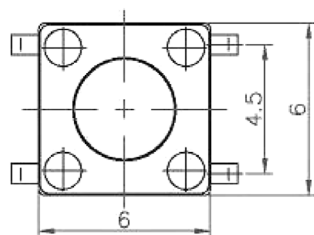
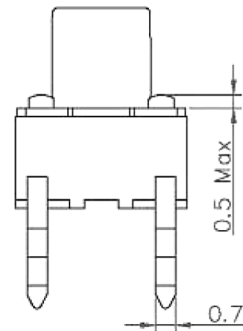
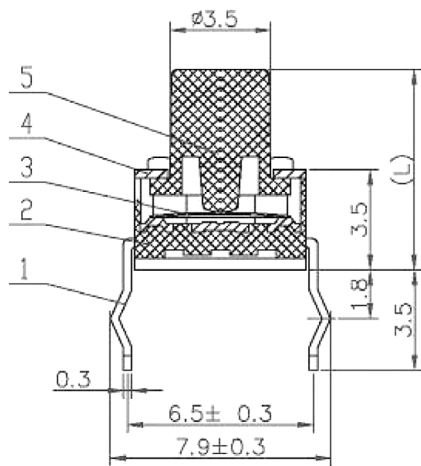
Operating Force	160±30gf
Return force	40gf

L(mm)	4.3
-------	-----

No.	NAME	MATERIAL	QTY	FINISHING
1	Terminal	Brass	1	Silver plating
2	Case	PA66	1	Black
3	Contact	Phosphor bronze	1	Contact side silver plating
4	Cover	SPCC-SD	1	CuSn plating
5	Stem	PA66	1	Black L≤9.5mm
		PC	1	Black L>9.5mm



**SCHEMATIC**



**PCB Layout**