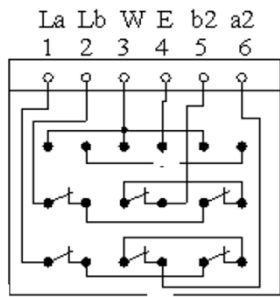
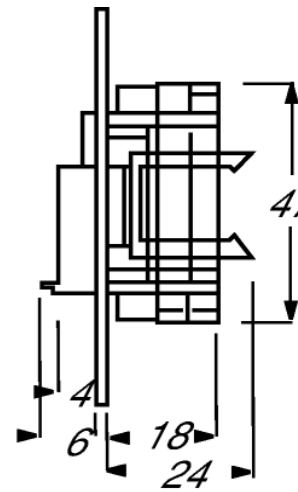
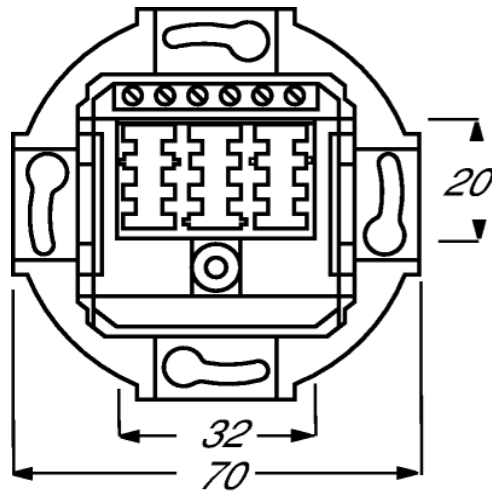
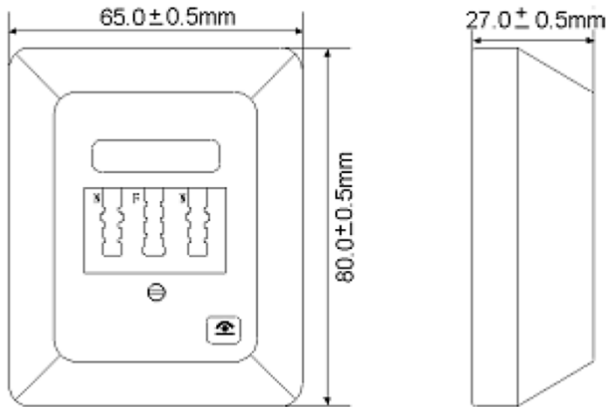


	REVISED	DR	APP



1590599



1590601

1	CONNECTORS	TAE-N/F/N WALL SOCKET
2	MOLDING	
3	CABLE	
NO	PART NAME	



DESCRIPTION		TAE-N/F/N WALL SOCKET					
SIZE	A4	DATE	09.01.2017	CHECKED		TOL	
UNIT	MM	DRAWN	CHH	APPROVED			<b>266760 + 266787</b>
CUSTOM TARIF NO.: 85366990990							