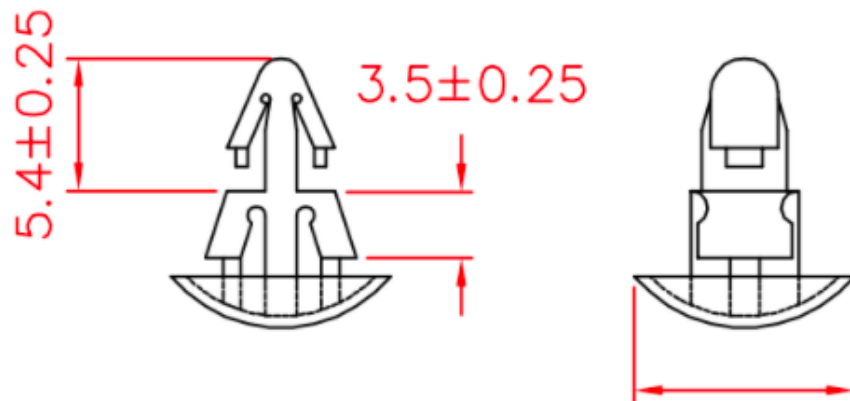


## Data Sheet

---

### PCB Holder RS-3

To fit 4.0mm hole  
chassis 1.8mm



To fit 5.5mm hole 9.8±0.25  
chassis 1.4mm