

eWICKLER

Standard eW910, eW910-F, eW930-F

Electronic swivel belt winder

MANUAL OF INSTRUCTIONS

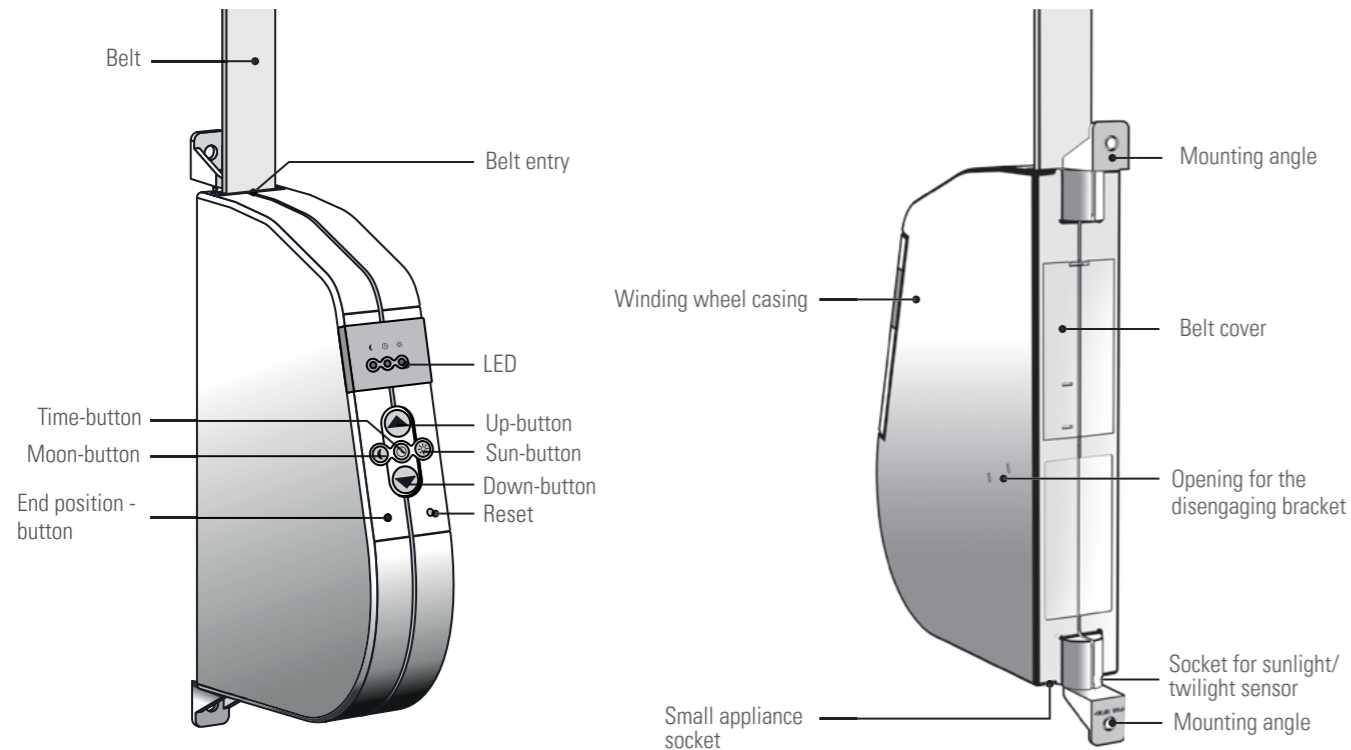
Installation and operation manual



FOR ALL
COMMON
ROLLER
SHUTTERS

www.wir-elektronik.de

WIR
elektronik



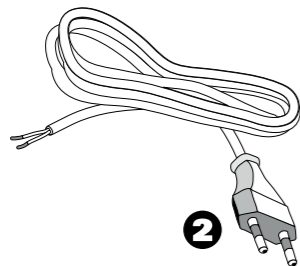
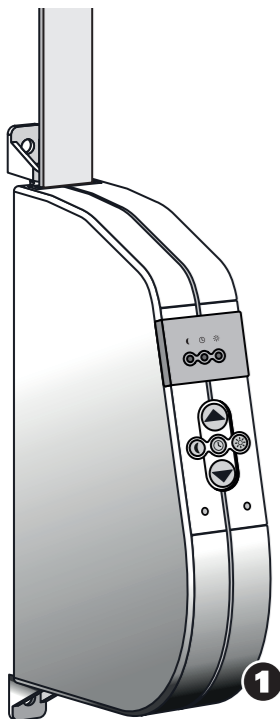
Dear Customer,

by purchasing an eWickler Comfort you have chosen a quality product "Made in Germany". At our location in Stadthorn in the Münsterland we manufacture our products and unite all our departments – from development and technology to production and sales – under the same roof.

With all our developments we pursue one goal: We don't want to make life more technical, but more comfortable and easier. Therefore, all our WIR-products are designed, with regards to you as a user, to be immediately applicable, simply manageable and self-explanatory. Simply smart – that is WIR.

Your Wilhelm Rademacher

This manual describes the installation and operation of the present roller shutter drive to you. Please read through the entire manual and observe all the safety instructions prior to installing and putting the eWickler into service. As this manual is part of the eWickler, please keep it safe and pass it on to the new owner if there is a change in ownership.



- 1 Swivel belt winder**
- 2 connection cable with European plug and small appliance socket Type D2 (1,5 m)**
- 3 2x assembly screws (4 x 40 mm) plus dowels S6**
- 4 2x assembly screws (4.2 x 19 mm)**
- 5 Belt cover**
- 6 Disengaging bracket (which is positioned on the inside of the belt cover)**
- 7 Manual of instructions**

Explication	2	Manual operation	19
Welcome	3	Registration and disconnection of wireless remote controls	20
Scope of supply	4	Functionality test of evaluating smoke detectors	21
Table of contents	5	Automatic operation	22
Safety instructions	6	Automatic twilight operation	23
Operating conditions	7	Automatic sunlight operation	24 - 25
Short description	8	Factory default settings – Maintenance – Reset	26
Measures - functions	9	Device failure	27
Installation preparations	10 - 13	Conformity – technical data – accessories	28
• Adjusting the belt	10	Accessories – guarantee conditions	29
• Establishing an electrical connection	11	What to do if...?	30 - 31
• Inserting and mounting the belt	12	Notes	32 - 33
• Mounting the swivel belt winder	13		
Quick start guide to operation	14 - 17		
Putting into service	18		

Attention: Improper use increases the risk of injury!

Attention:

Observe the roller shutter while you set the functions manually and keep others away to prevent injury in case the shutter drops suddenly. Make sure that everybody at home or at the office is instructed in safely using the eWickler.

Advice:
 The eWickler has, depending on the loading, an overheat protect. After overheating (switching off) the swivel belt winder needs to cool down for about 25 minutes. Its full operational readiness is reached after approximately one hour. The maximum run time (4 minutes) must not be exceeded. This leads to damage done to the eWickler. In accordance to DIN EN 13659, 4.13.3.3. you need to secure, while carrying out the assembly, to adhere to the DIN EN 12045, which regulate the shifting conditions for shutters and blinds. Moreover you need to observe the guidelines according to DIN EN 13120 and DIN EN 13561. This device can be used by eight-year-old or older children and by people with deficient physical, sensory and mental abilities or who are lacking experience and knowledge, when they are supervised or instructed in safely using the device and when they understand the resulting risks. Do not allow children to tamper or toy around with stationary controls and keep remote controls away from them. Cleaning and maintenance must not be done by children without supervision. Prior to cleaning the roller shutters or working on the swivel belt winder you must interrupt the electricity supply. The assembly and operation of the eWickler Standard eW910, eW910-F, eW930-F is only permissible for those facilities in which a malfunction of the device does not result in danger for people or things, or in which this risk is covered by other security devices. Please observe the moving roller shutter while making adjustments and during normal operation and keep others away until the shutter is fully closed. Use only permissible belt lengths – check the table on page 7. If longer belts are used, damage to the swivel belt winder can occur. All the mentioned guidelines can vary because of the local structural conditions. Radio equipment which transmits on the same frequency may cause interferences.

Warning:

To guarantee people's safety it is important that you follow these instructions! Therefore, keep this manual safe!

Permissible roller shutter belts

Width [mm]	Thickness [mm]	Maximum length [m]
15 (mini)	1	6,3
23 standard	1	6,3
23 standard	1,3	4,8
23 standard	1,5	4,2

Correct use

Only use the swivel belt winder for raising and lowering roller shutters. In case of repairs only use original spare parts made by WIR elektronik. This way you avoid malfunctions or damages to the swivel belt winder.

If spare parts made by other manufacturers are used, WIR elektronik does not incur any kind of guarantee or liability.

Operating errors

Employing the eWickler is exclusively permissible for the mentioned operations in accordance with the operating conditions. If it is not used as designated, all kinds of guarantee and liability expire. Damages which occur because of non-observance of this manual or the safety instructions invalidate the guarantee. Moreover we do not incur liability for consequential damages which result from those.

Permissible surface area of roller shutters

Roller shutter types:	Weight /m2	Permissible surface area (m2)
Plastic roller shutters	4,5 kg	approx. 6
Aluminium or wood shutters	10 kg	approx. 3

Operating conditions

Only use the eWickler in indoor rooms. A 230 V ~ 50 Hz power supply with a circuit breaker must be available (on-site-securing/ fuse). For the connection cable a 230 V ~ 50 Hz socket is needed at the place of installation. Furthermore it must be guaranteed that the roller shutter can move up and down smoothly and easily. The mounting surface for the swivel belt winder must be flat.

Description:

The swivel belt winder is a classic belt winder which is to be installed as a surface-mounted device in interior rooms. You can establish the power connection via the enclosed cable.

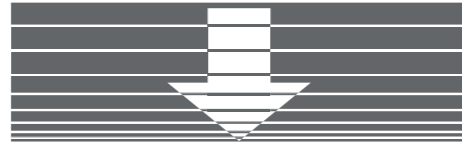
eW9x0-F: has the additional function at its disposal to analyse acoustic signals of typical smoke detectors and to raise the shutters in case of an alarm automatically.

eW930-F: can be operated individually on site or by a WIR wireless network.

When you integrate the eW930-F into a WIR wireless network, you can use the many functions of the corresponding WIR wireless controllers.

Start and Stop:

To protect the mechanics the eWickler is equipped with a gentle soft start- and soft stop-function.



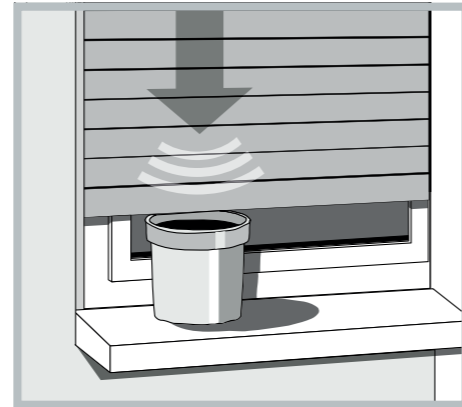
Collision protection / overload disconnection:

If the roller shutter, while lowering, runs into an obstacle, the eWickler will be switched off. Afterwards, further operation into the same direction is not possible.

First you have to move the roller shutter into the opposite direction and remove the obstacle.

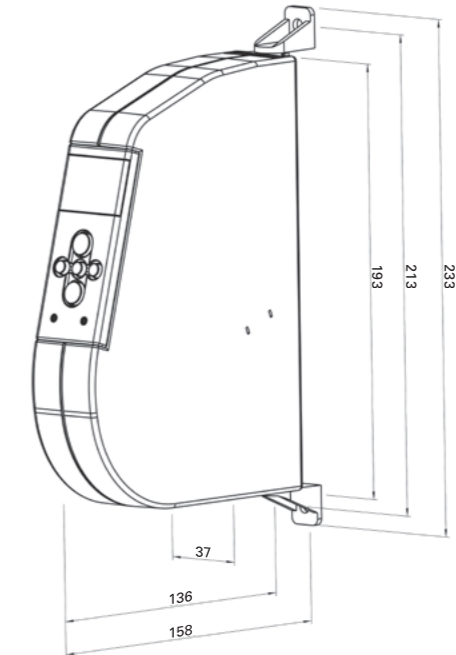
Then, operation into the original direction is possible once again.

If the roller shutter is overloaded during the raising process, the swivel belt winder also switches off. After eliminating the cause and movement into the opposite direction, operation in both directions is available once again.

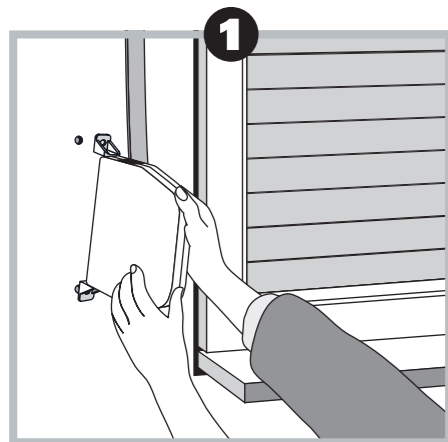


Functions

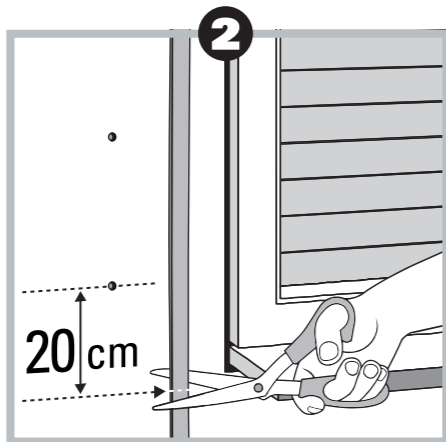
- Adjustable switching/operating times to raise and lower the shutters
- Internal, accurate mains-synchronous clock
- LEDs indicate the active functions. The LED's brightness will be lowered when the roller shutter is closed.
- Individual sunlight and twilight operation control is possible with a sensor.
- Data analysis of smoke detectors available; in case of an alarm the eWickler-F lifts the roller shutter immediately (only eW910-F/ eW930-F)
- Remotely controllable (only eW930-F)
- Gentle soft start- and soft stop-function of the motor
- Electronic weight and run time surveillance to protect the engine; protection in case of disturbances at the roller shutter, e.g. icing in winter
- Collision protection / disconnection in case of overload



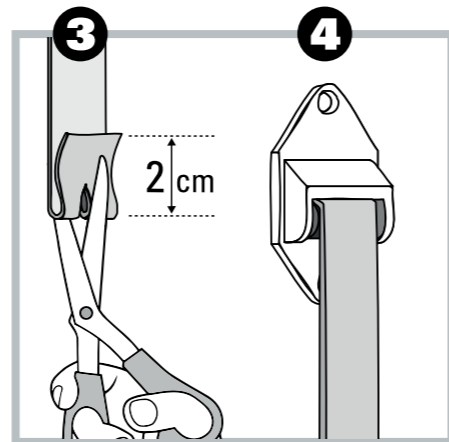
WIR elektronik is not to be held responsible for changes of guidelines and standards after the publication of this manual! Subject to technical alterations!



1. Remove the old swivel belt winder:
Close the roller shutter entirely, dismantle the belt winder from the wall and unwind the belt. Please be careful with the spring can. The spring is under high tension and may cause serious injury.



2. Shorten the belt approx. 20 cm underneath the swivel belt winder's position on the wall.



3. Double the end of the belt (approx. 2-3 cm) and use scissors to cut a slit for later mounting it onto the winding wheel.

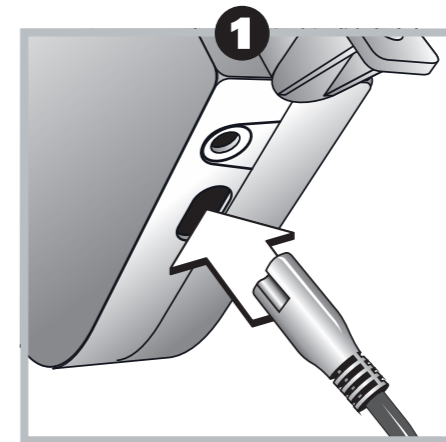
4. If necessary, install a return pulley at the roller shutter box. Thus you avoid unnecessary attrition/wearing down.

Safety instructions concerning the electrical connection/ warning notice

When you install electrical devices, there is always a life-threatening danger. Assembly of electrical systems must be carried out by qualified electricians (electrical shops).

If the mains supply line of this device gets damaged, it must be exchanged with a special supply line which is available from the manufacturer.

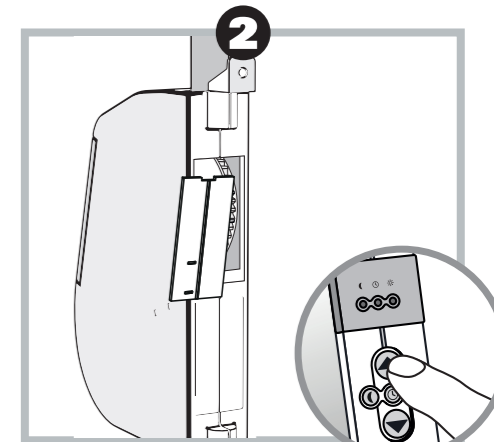
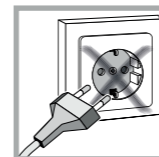
All the other installation tasks must be carried out in no-voltage condition. Therefore it is important to disconnect all supply cables from the power system and safeguard them against unintentional reconnection.



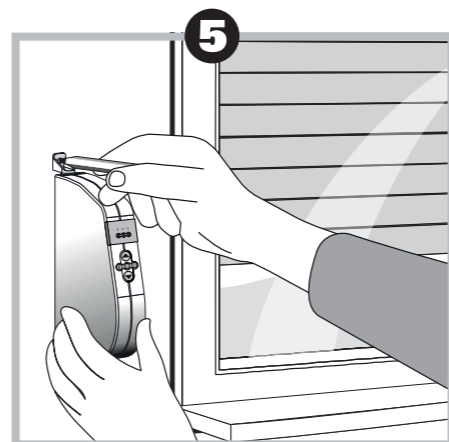
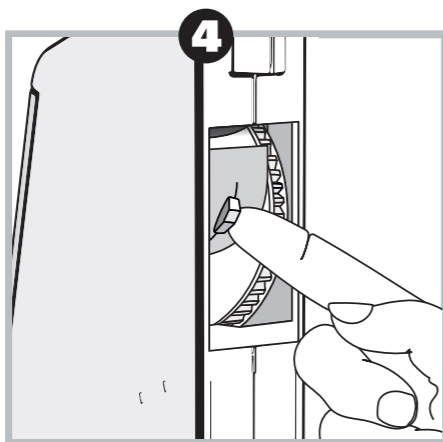
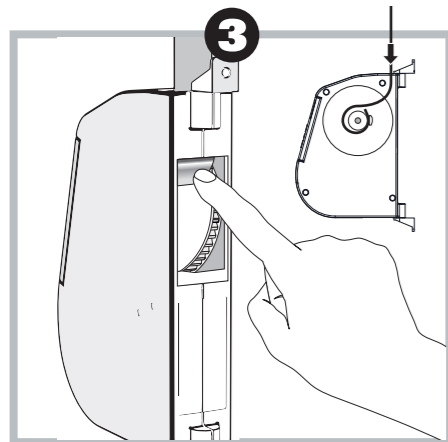
Establishing an electrical connection

1. Connect the enclosed cable. Please make sure to lay the cable firmly and securely but without damaging it (danger of a short-circuit).

Inserting and mounting the belt
Connect the power plug with the mains supply.



2. Press the Up-button till the fixing hook is accessible in the winding wheel casing. **Careful! Do not put your fingers into the winding wheel casing while the motor is running.**



Remove the power plug from its socket now.

3. Insert the belt from above into the swivel belt winder.

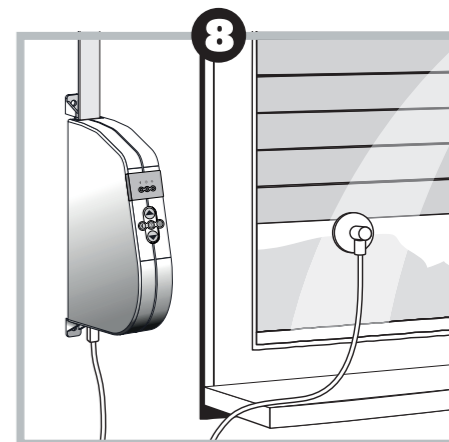
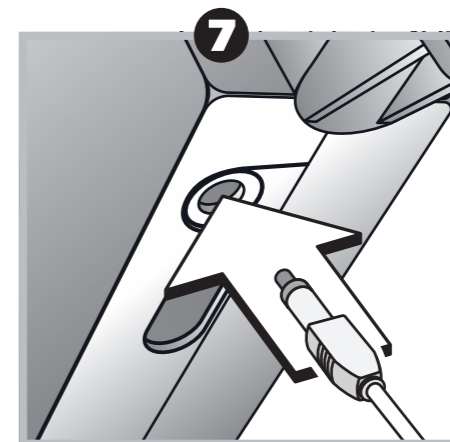
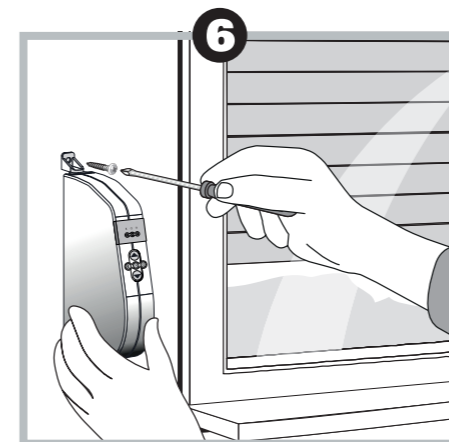
4. Place it onto the fixing hook from below and mount it.

Put the plug back into the socket.

Press the Up-button until the belt has completed at least one entire turn on the winding wheel. Next, pull the plug out of the mains socket again and place the provided belt cover over the installation opening.

Install the swivel belt winder

5. Mark the fixing holes:
To do this, hold the swivel belt winder at the desired mounting position and mark the fixing holes. Please make sure to mount it straight upright!



For wall mounting, drill the fixing holes with a 6 mm masonry drill and insert the enclosed dowels into the holes.

6. Mount the swivel belt winder

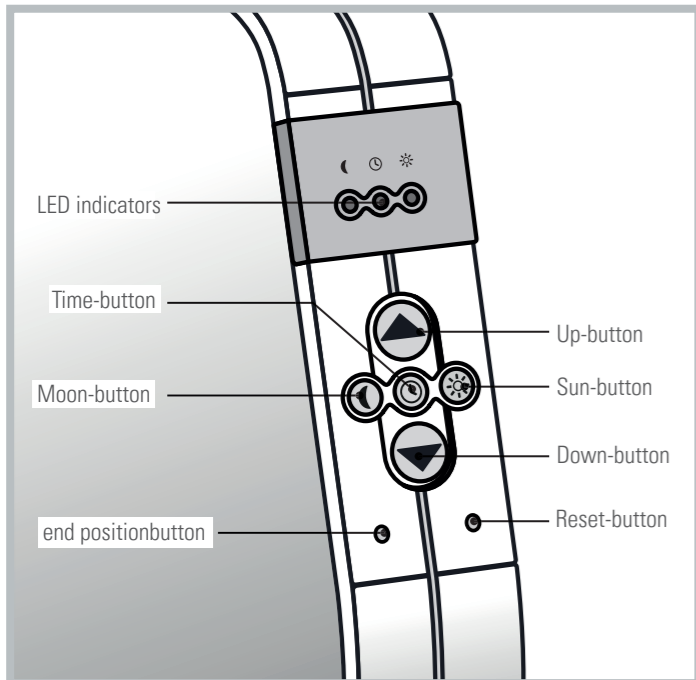
Fixate the swivel belt winder with the enclosed assembly screws.

- Wall mounting = chipboard screw 4 x 40 mm with half round head
- Window frame mounting = tapping screw 4.2 x 19 mm

7. Install the optional light sensor (not included in the scope of supply).
Simply insert the sensor's plug into the corresponding socket (at the bottom side of the eWickler)

Warning: Please follow all the instructions because an incorrect assembly of the device can cause serious injury.

8. Mount the sensor via suction cup onto the window pane. Depending on its positioning you decide to which level the roller shutter will be lowered in case of sunshine.



Basic settings: set the end positions

Without configuring the end positions the eWickler will only move as long as you press one of the two control buttons.

Set the upper end position

Press the Up- and End position-button and hold them. The roller shutter moves upwards.



At the spot you desire, **release one of the buttons**. Thus, the upper end position is adjusted.

Set the lower end position



Repeat the previously described steps using the End position- and Down-button.

Set/ change/ activate the operating times


Set/ change the opening time

 Press the Time- and Up-button simultaneously at the desired time. Thus the switching command is saved and will be repeated every 24 hours.
 The Clock-LED shines.

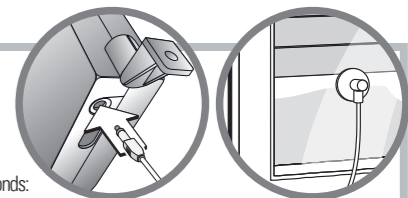
Set/ change the closing time


 Press the Time- and Down-button simultaneously at the desired time. Thus the switching command is saved and will be repeated every 24 hours.
 The Clock-LED shines.

Activate/ deactivate the operating times



 Press the Up- and Down-button simultaneously. The switching times are now deactivated. The clock LED turns off. To activate the operating times again, repeat the process.

Adjust the sensor
Automatic twilight operation:




Press the Moon-button for 2 seconds:
 this will activate or deactivate the automatic twilight function
 The Moon-LED shines/ does not shine.


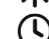
Set a limiting value for the automatic twilight operation:

 Press the Moon- and Time-button shortly at the same time. The currently measured value will be stored and confirmed by a short blink of the Moon-LED.


Automatic sunlight operation:

 Press the Sun-button for 2 seconds: this will activate or deactivate the automatic sunlight function.
 The Sun-LED shines/ does not shine.

Set a limiting value for the automatic sunlight operation:

 Press the Sun- and Time-button shortly at the same time. The currently measured value will be stored and confirmed by a short blink of the Sun-LED.


The functions described before can only be activated with the accessories eS0371 (eW910/eW910-F/eW930-F) or eS0400 (only eW930-F)!

Register wireless remote controls (only eW930-F)

▲ **Press the Moon- and Up-button.**

The Moon-LED flashes every second.
Switch your remote control to registration mode (see the corresponding manual of this device).
The Moon-LED will turn off, the motor will shortly get into motion to acknowledge receipt – the devices are now connected.



Disconnect wireless remote controls (only eW930-F)

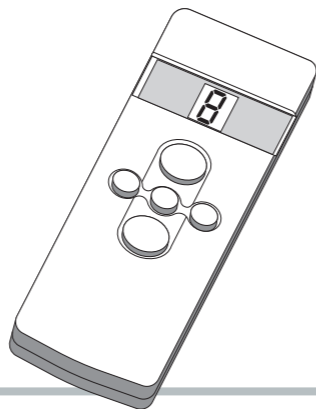
▼ **Press the Moon- and Down-button.**

The Moon-LED flashes every second.
Switch your remote control to disconnection mode now (see the corresponding manual of this device).
The Moon-LED will turn off, the motor will shortly get into motion to acknowledge receipt – the devices are now disconnected.



Errors at registering and disconnecting wireless remote controls (only eW930-F)

If the Moon-, Time- and Sun-LED blink one after the other (running light), the registration or disconnection process has not worked out well.
Repeat the respective procedure as shown above.



Functionality test of evaluating smoke detectors (only eW910-F / eW930-F)

▼ **Press the Down-button**

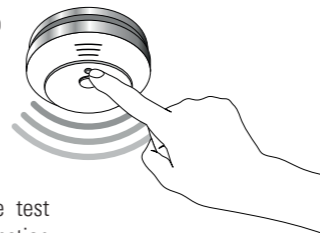
the roller shutter will come down to the lower end position.

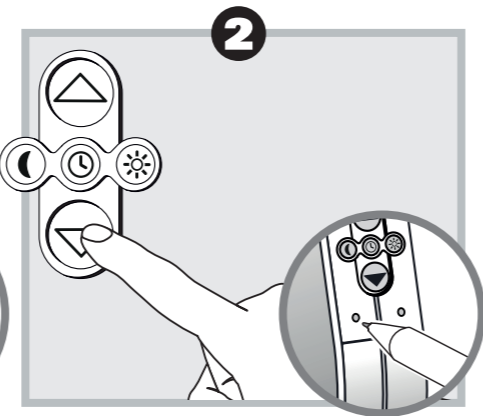
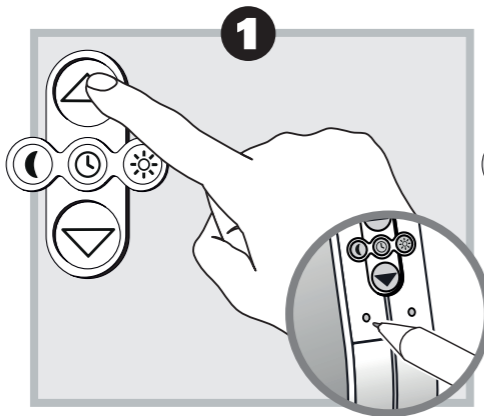
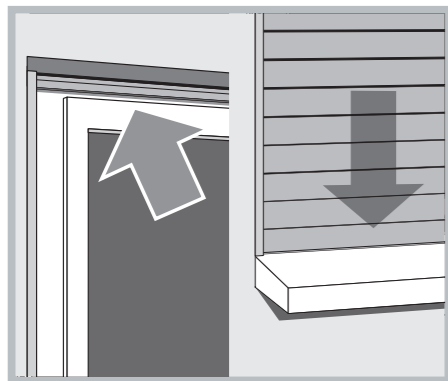
Press the test-button on the smoke detector
to trigger an alarm.

The eWickler-F will recognize the test alert and raise the shutter. The function LED indicators (Moon – Time – Sun) will flash for about one hour at 0.3 second intervals. Your eWickler-F is ready for use.

By pressing one of the buttons you end the alarm mode of the device.

Note: You can deactivate the fire function by pressing and holding the Moon- and Sun-button and pushing the Down-button two times. All three LEDs will then flash once to indicate accomplishment of the command.





Adjust the end positions

Important advices concerning the adjustment of the end positions: You must set the end positions to guarantee that the roller shutter stops in the top and bottom position at your desired spot. Besides it is absolutely necessary that you adjust both end positions, otherwise there might be malfunctions.

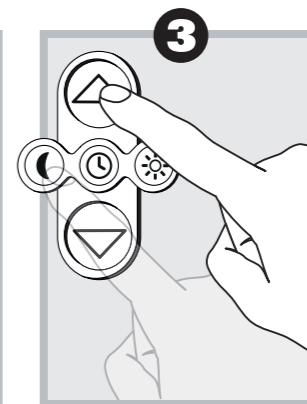
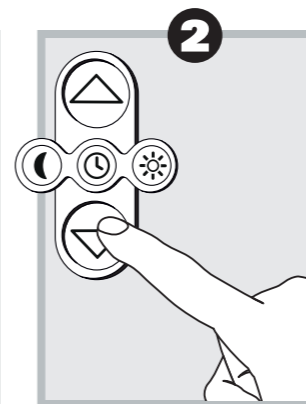
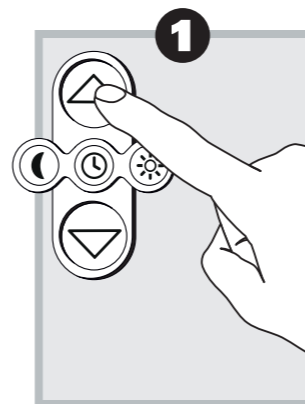
1. Upper end position

Hold the End position-button and press the Up-button until you have reached your desired final spot. As soon as you let go one of the buttons, the motor stops and the end position is set.

2. Lower end position

You adjust the lower end position similarly to the upper by pressing the End position- and Down-button. Please make sure that the belt does not hang loose in this final position.

Please do not set the final spots in any utmost position.



1. Raising the shutter

Press the Up-button shortly and the eWickler will pull up the shutter to the upper end position.

2. Lowering the shutter

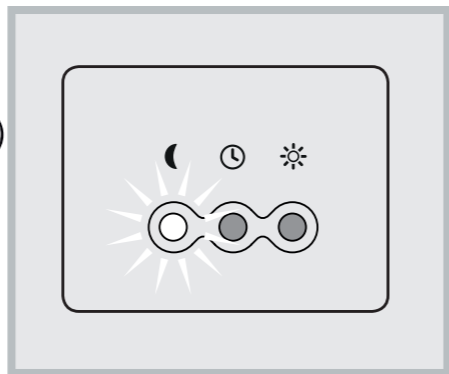
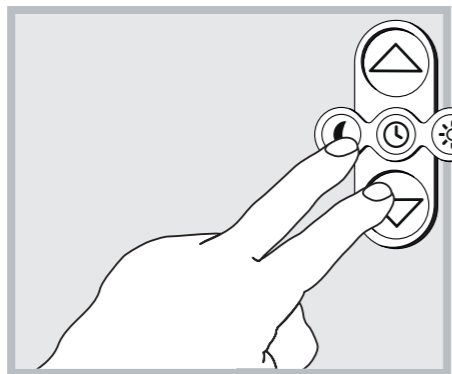
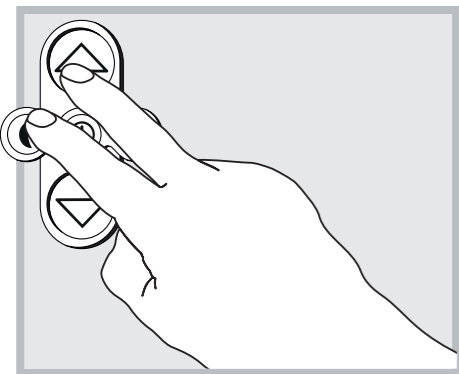
Press the Down-button shortly and the eWickler will lower the shutter to the lower end position.

3. Stopping

You can stop the running process by pressing any button.

Manual operation is always possible without causing any damage.



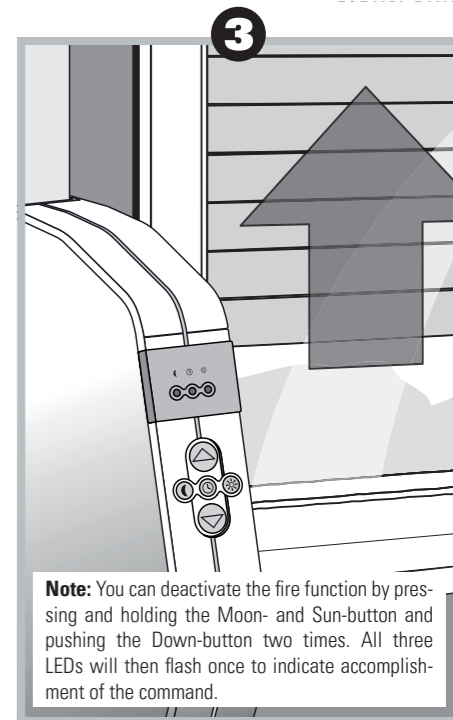
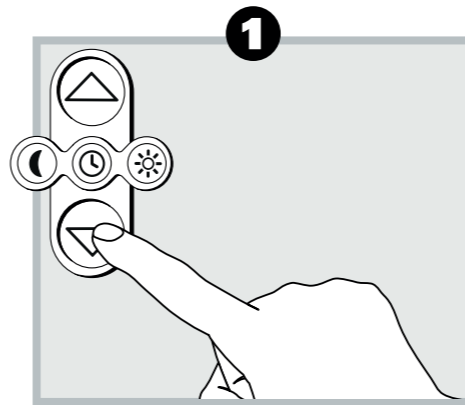


Register wireless remote controls:

Press the Moon- and Up-button.
The Moon-LED flashes every second. Switch your desired transmitter, sensor or controller to registration mode now (see the corresponding manual of these devices).
The Moon-LED will turn off, the motor will shortly get into motion to acknowledge receipt – the devices are now connected with each other.

Disconnect wireless remote controls:

Press the Moon- and Down-button.
The Moon-LED flashes every second. Switch your desired transmitter, sensor or controller to disconnection mode now (see the corresponding manual of these devices).
The Moon-LED will turn off, the motor will shortly get into motion to acknowledge receipt – the devices are disconnected now.



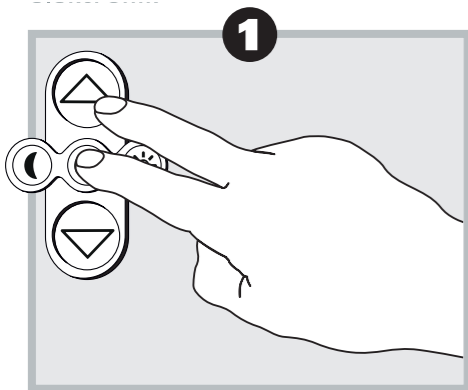
In general, the additional function of the eWxxx-F models to recognize and evaluate warning tones of smoke detectors is in working order without the need for further programming. Nonetheless, for safety reasons you should test its functionality as described below:

1. Press the Down-button shortly and the eWickler will lower the roller shutter till the lower end position.

2. Trigger an alarm by pressing the (test-)button on your installed smoke detector.

3. The eWxxx-F will recognize the alert and pull up the shutter to the upper end position. The function LED indicators (Moon – Time – Sun) will flash for about one hour at 0.3 second intervals. By pressing any function key you end the alarm mode.

Note: You can deactivate the fire function by pressing and holding the Moon- and Sun-button and pushing the Down-button two times. All three LEDs will then flash once to indicate accomplishment of the command.

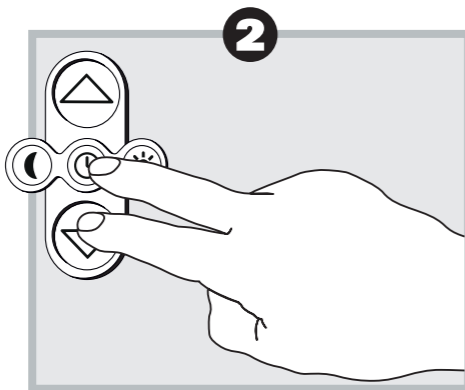


Automatic time mode

Using the automatic time mode you can lower and raise the roller shutter automatically at your adjusted operating times.

1. Operating time to raise the shutter:

Press the Time- and Up-button simultaneously at your desired time. Thus, this switching command is saved and will be repeated every 24 hours. The Clock-LED shines.

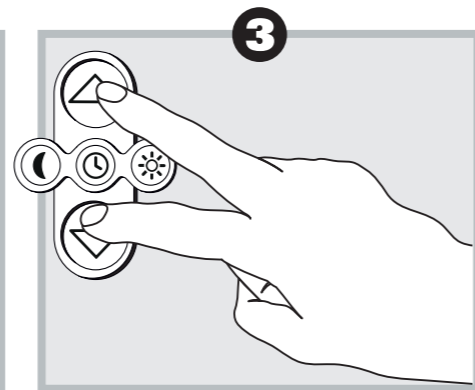


2. Operating time to lower the shutter:

Press the Time- and Down-button simultaneously at your desired time. Thus, this switching command is saved and will be repeated every 24 hours. The Clock-LED shines.

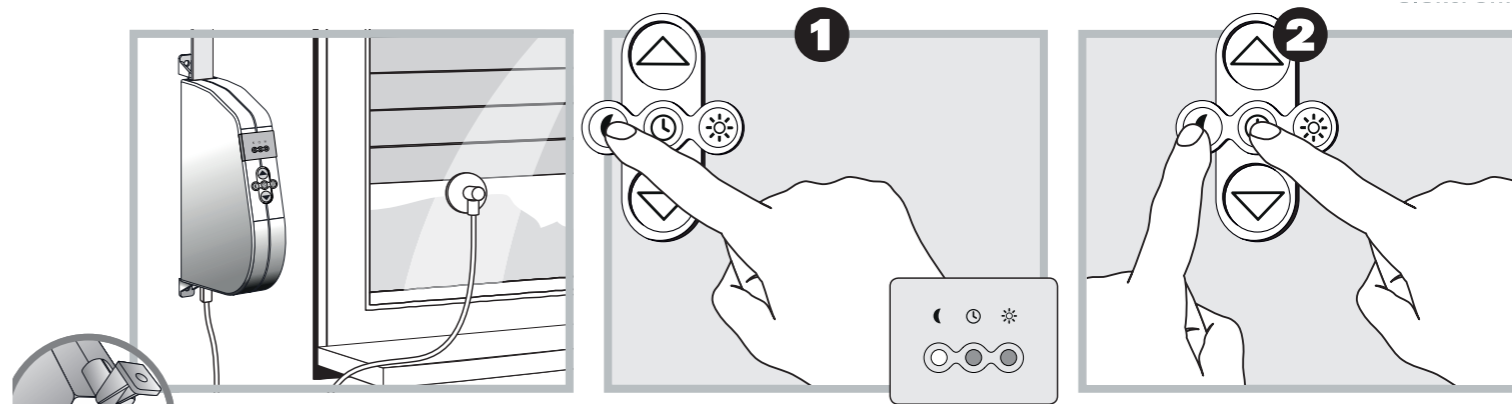
3. Activate/ deactivate the operating times:

Press the Up- and Down-button short and simultaneously. This way you deactivate the operating times. The Clock-LED turns off. To reactivate them, repeat the procedure. The Clock-LED shines again.



Change the operating times:

You can modify the already set operating times by pressing the Time- and Up-/Down-button simultaneously at the new desired time (see no. 1 + 2). This way you delete the old switching times and override/ replace them with the new ones.



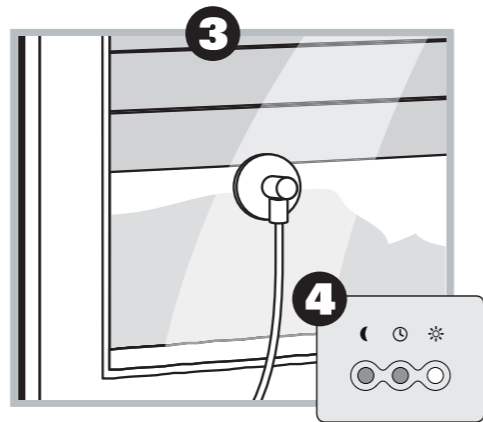
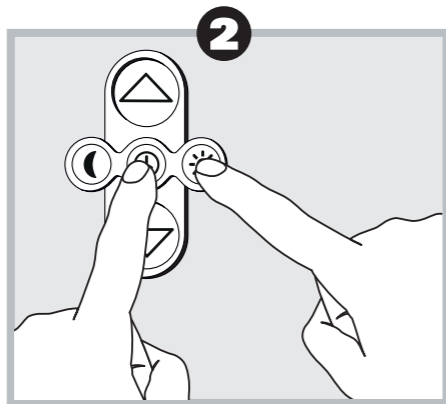
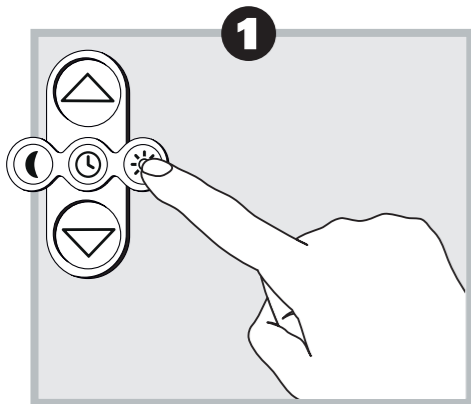
Automatic twilight operation

This automatic operation causes the roller shutter to close at dusk automatically till the lower end position (it only functions with a connected/registered light sensor). The shutter will reopen at the programmed opening time or after a manual Up-command is given.

1. You deactivate this automatic system by pressing the Moon-button for about 2 seconds – the Moon-LED will turn off. When you repeat this procedure, you activate the automatic system again.

2. Set a limiting value for the automatic twilight operation:
Press the Moon- and Time-button short and simultaneously.

The currently measured light intensity value will be stored and confirmed by a short flashing of the Moon-LED. If you use the automatic twilight operation, the automatic closing time of the automatic time mode is (permanently) deactivated.



Switch on/off the automatic sunlight operation:

1. You activate or deactivate the automatic sunlight operation by pressing the Sun-button until the Sun-LED shines or, respectively, turns off. In general, this function is deactivated as long as there is no light sensor connected/ registered.

Set a limiting value for the automatic sunlight operation:

2. Press the Sun- and Time-button short and simultaneously. The currently measured light intensity value will be stored and confirmed by a short flashing of the Sun-LED.

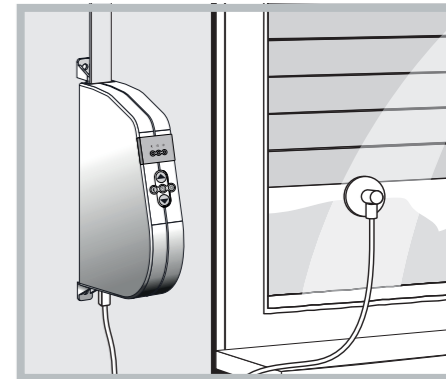
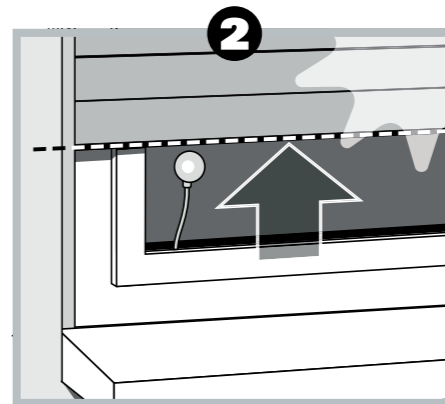
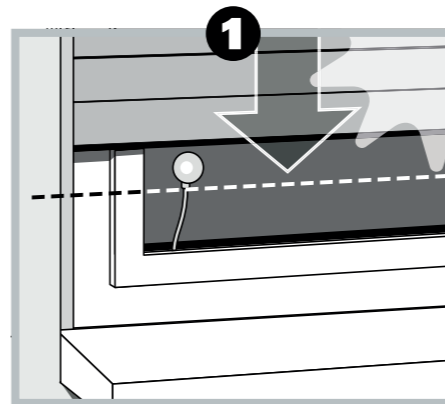
Functioning of the automatic sunlight operation:

The roller shutter moves down and up automatically when a programmed limiting value is reached or exceeded.

Installation example

3. The sunlight mode's end position of the roller shutter can be freely adjusted by altering the position of the light sensor on the window pane.

4. Observe the Sun-LED. It flashes when the automatic sunlight operation is active which is as soon as the measured brightness exceeds the programmed limiting value.



Automatic lowering:

1. If the light sensor detects 10 minutes of uninterrupted direct sunshine, the roller shutter is lowered until its shadow covers the light sensor.

Automatic exposure of the sensor:

2. After approx. 20 minutes, the roller shutter automatically moves upwards a little to expose the light sensor.

If the sun is still shining in, the roller shutter remains in this position. If the light intensity falls below the adjusted limiting value, the shutter moves back up to the upper end position.

Note:

When the weather constantly changes (from sunlight to cloudy), the delay times mentioned before may be exceeded.

The automatic sunlight operation is stopped and, if necessary, restarted after the following events:

- After a manual operation/ command
- After an automatic function is carried out
- After the upper end position is reached

Factory default settings electronic swivel belt winder Standard

- Fire function: Active (only eW9xx-F)
- Automatic sunlight operation: Installed, activated by connecting a sensor eSO371 (eW910/ eW910-F/ eW930-F) or eSO400 (only eW930-F)
- Automatic twilight operation: Installed, activated by connecting a sensor eSO371 (eW910/ eW910-F/ eW930-F) or eSO400 (only eW930-F)

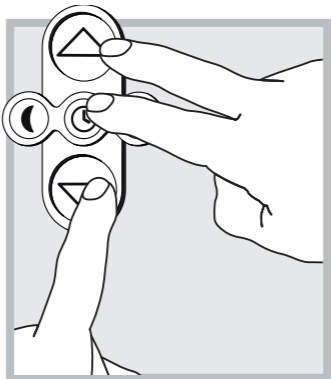
Maintenance

Check your eWickler and all components of your roller shutter system regularly for signs of damage:

- The return pulley/ deflection roller on the roller shutter box must move easily and smoothly.
- The belt should not unravel at its sides or show any other kinds of damages.
- Please let damaged parts be immediately exchanged by your roller shutter specialist or specialized dealer.

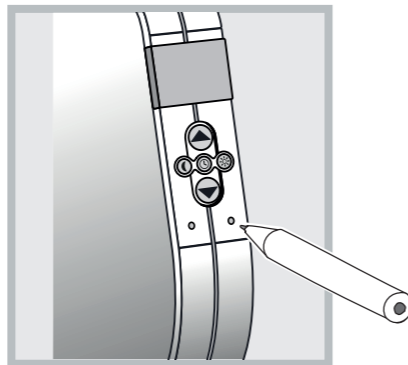
Care of equipment

You can clean the eWickler using a damp cloth. Please do not use aggressive or abrasive cleaning agents.



**Restore factory default settings:
Software reset:**

Press the Up-, Down- and Time-button simultaneously until all LEDs shine. Now the eWickler is reset to its initial delivery state. At the belt winders with radio all registered wireless devices and remote controls will be deleted.



Hardware reset (reboot):

Shortly pressing the Reset-button causes a reboot of the device. The operating times (opening and closing time) have to be set anew while all the other settings are kept/maintained.

Device failure – removing the belt

If the eWickler should fail once and the motor does not run anymore, you can pull the belt, with the help of the gears' release function, out of the device completely without having to destroy it.

In that case, follow these steps:

- Pull the plug.
- With the help of the enclosed disengaging bracket (at the inside of the belt cover) you can now unlock the gears.

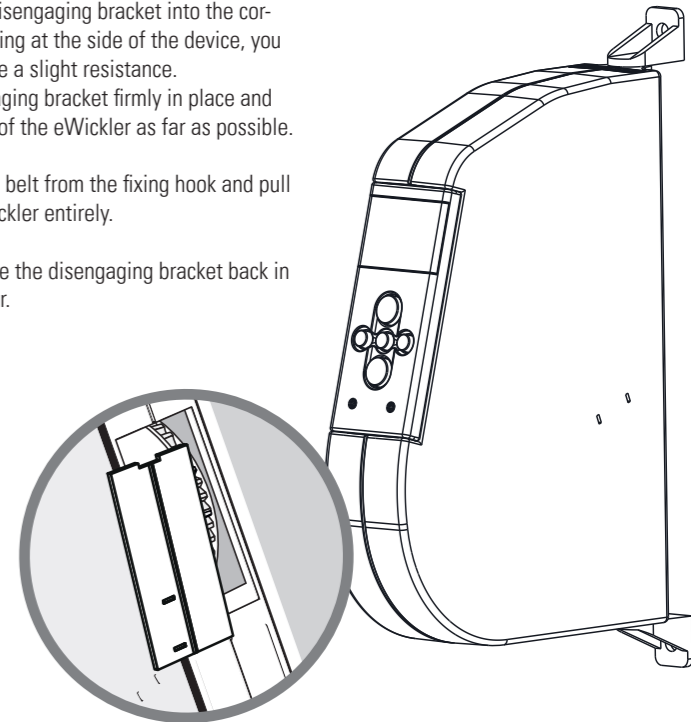


Careful! Hold the belt tightly because otherwise the roller shutter can fall down unbraked.

At pushing the disengaging bracket into the corresponding opening at the side of the device, you have to overcome a slight resistance. Hold the disengaging bracket firmly in place and pull the belt out of the eWickler as far as possible.

Then remove the belt from the fixing hook and pull it out of the eWickler entirely.

Afterwards, place the disengaging bracket back in its storage holder.



The electrical swivel belt winder / roller shutter drive eWickler Standard fulfils the requirements of the valid European and national guidelines and directives.

Low tension directive

- 2006/95/EC

EMC directive

- 2014/30/EU



RED directive

- 2014/53/EU

The conformity has been proved. The corresponding declarations and documentation are available on file at the manufacturer's premises:

WIR elektronik GmbH & Co. KG

Hölderlinstrasse 57 – 59
 48703 Stadtlohn
 Germany

Technical Data

Supply voltage:	230 V ~ 50 Hz
Maximum rated power:	120 W
Standby consumption (eW910, 910-F / 930-F):	≤ 0,2 W / ≤ 0,5 W
Rated torque:	11 Nm
Rated speed:	32 rpm, regulated
Maximum traction power:	45 kg
Belt width:	23 mm or 15 mm (eW9x0-M)
Winding capacity:	6,3 m
Permissible surface area of roller shutters:	Approx. 6 m ² in case of 5 kg/m ² Approx. 3 m ² in case of 10 kg/m ²
Short-term operation:	4 min
Overrun:	< 0,2 r
Protection class:	II
Protection type:	IP20
Power reserves (in case of a power blackout):	about 20 h

Distance between the fixing holes:	213 mm
Measurements Casing: (HxDxW)	193 x 158.5 x 37 mm

Valid for the eW930-F

Transmission frequency:	868,3 MHz
Transmission power:	max. 10 mW
Range inside a building (depending on the building structure):	15 – 20 m
Range under free field conditions:	max. 200 m
Maximum number of registerable remote controls:	50
Wireless sunlight/ twilight sensor:	1

Accessories

To adapt the swivel belt winder Standard to the local conditions, a broad selection of accessories is available to you.

You can find information about these on the following homepage: www.wir-elektronik.de/en

Accessories: light sensor

eS0371	1 m cable length
eS0371-2	2 m cable length
eS0371-5	5 m cable length



Accessories: wireless sunlight/twilight sensor eSO400



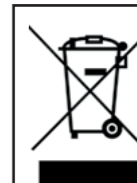
Warranty conditions

WIR elektronik GmbH & Co. KG offers a 36-month warranty for new devices that have been installed in accordance with the installation manual. The warranty covers all design faults, material faults and fabrication faults.

The warranty does not cover:

- Incorrect mounting or installation
- Non-observance of the installation and operation manual
- Improper operation or utilisation
- External influences such as knocks, blows or weather conditions
- Repairs and modifications made by unauthorized third parties
- Use of unsuitable accessory parts
- Damage due to inadmissible voltage surges (e.g. caused by lightning)
- Malfunctions due to an overlap of radio frequencies and other radio disturbances

Any defects occurring within the warranty period will be rectified by WIR elektronik at no cost either by repairing or replacing the parts concerned or by delivery of a device of equal value or a new replacement. Generally the original warranty period will not be extended because of replacement delivery or repair resulting from the warranty.



This electrical or electronic device must not be disposed of as domestic refuse at the end of its life. To return it properly, please inform yourself and find out about collection points for electronic waste which are close-by and free of charge, or collecting points for reuse of these devices. You can receive their addresses from your town council or local government. For further information please search on the internet.

Malfunction	Possible cause / solution
... the eWickler does not show any sign of function?	Check your power supply including the connection cable and plug; if necessary, carry out a hardware reset and adjust the time anew (see p. 26)
... the eWickler does not react in the morning at the adjusted opening time?	The electronics of the device have switched off the swivel belt winder because the return pulley did not move anymore. This is the case if: 1. the lower end position has been set at a spot which is too low. Then, the roller shutter is closed, but the belt has continued to unwind so that it does not lie tautly on the return pulley anymore. 2. The belt has stretched and the lower end position has changed accordingly. The belt should not be slack at any time. Set the lower end position anew (see p. 18) and take care that the belt permanently lies taut on the return pulley. The return pulley must constantly turn in an even way.
... the roller shutter does not approach the adjusted end positions properly?	It is possible that the end positions have altered because the belt has stretched. Please adjust the end positions anew (see p. 18).
... the roller shutter stops as soon as you release the function button?	There are not set any end positions. Please programme the end positions anew (see p. 18).
... the eWickler runs the wrong way round?	The belt has been introduced and mounted on the winding wheel the wrong way round (see p. 12).

Malfunction	Possible cause / solution
... the roller shutter comes to a halt while moving downwards?	1. Has the roller shutter perhaps come up against an obstacle? Raise the shutter again and remove the obstruction. 2. Have the roller shutter slats slipped/ shifted their position? If possible, raise the shutter again and adjust the slats. 3. In the roller shutter box, the shutter rubs against the window frame due to missing pressure rollers, or insulation material has come loose and is obstructing the shutter. Open the roller shutter box and remedy the fault. If necessary, lubricate any stiff points or spots at which the shutters have trouble moving with greasing wax. 4. The roller shutter might be too light. Weigh the shutter down, e.g. by sliding a suitable flat iron bar into its bottom slat.
... the roller shutter suddenly stops while moving upwards?	1. The device's obstacle recognition control has reacted and intervened, e.g. because the roller shutter froze solid or it encountered other obstacles. Remedy the cause (e.g. by slightly/ gradually defrosting the frozen shutter). 2. The roller shutter might not be operating sufficiently smooth. Examine the roller shutter and its rails. 3. The roller shutter might be too heavy. The eWickler's maximum traction power has been exceeded (see p. 7).

eWICKLER

Standard eW910, eW910-F, eW930-F

Electronic swivel belt winder

BA eW8xx Comfort (12.2021)_4008-0000xx

WIR elektronik GmbH & Co. KG

Hölderlinstraße 57 - 59

48703 Stadtlohn

Tel. 02563 908930

www.wir-elektronik.de

WIR

elektronik