

Building Instructions

组装说明书

HY-028-140

SPECIFICATION:

Length :800mm
 Wing Span :900mm
 Height :230mm
 Wing Area :~13dm²
 Flying Weight :~480g
 Body Net Weight :~180g
 Radio :4ch.servos3
 Battery :Li-Po,2-cells,1300mAh,
 ESC :20A
 Power :3-blade propeller pull powered
 by an out runner brushless motor

安装前请注意!
 BEFORE YOU BEGIN!



警告
 Warning

重要事项注意!
 DO NOT OVERLOOK
 THIS SYMBOLL!



泡沫快干胶黏合
 FOAM GLUE



左右安装方法相同。
 ASSEMBLE LEFT AND RIGHT
 SIDES THE SAME WAY.

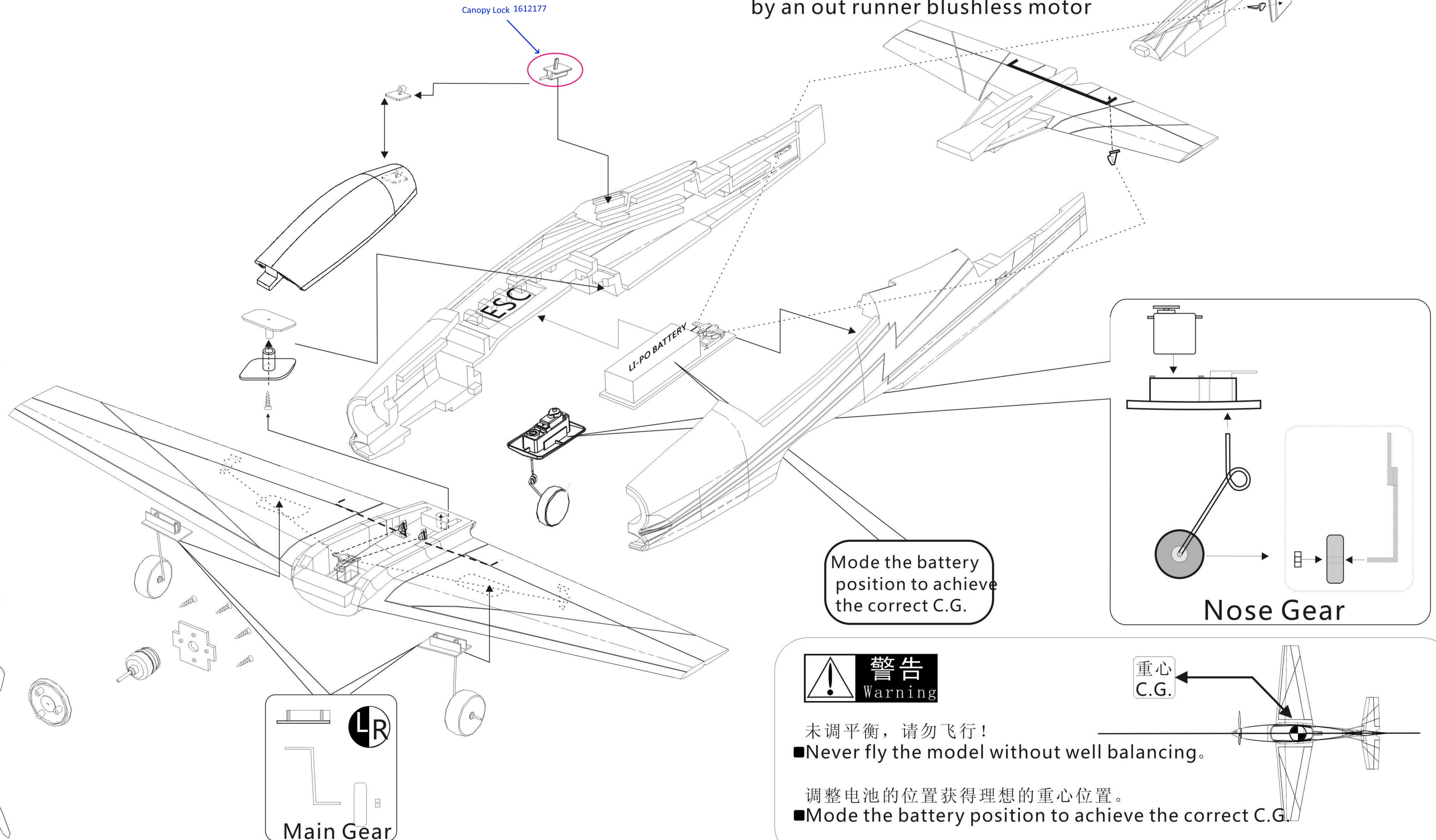


注意重心!
 PAY MORE ATTENTION
 ON C.G.!

本公司将适时对飞机的配置进行更新及改进而不作另行通知。飞机实际配置以实物为准。
 Configurations of the model planes will be updated and improved without noticing, which should
 be finalized by practicalities. The final right to interpret is reserved.

零件包 Accessory Pack

- 推拉杆
 Push Rod
 1.2x530mm 2pcs
 1.2x200mm 2pcs
- 活页片
 AC Hinge
 10 purchase
- 锁舱盖
 Canopy lock
 1set
- 摇臂头
 Nylon Arm
 2pcs
- 机翼固定片
 Supporter
 1set
- 舵角
 Horns
 2pcs
- 调节器
 Linkage Stopper
 D1.8 3pcs
- 激光切割片
 Laser Cutting Part
 1set
- Pa3x10 1pc 螺丝
 Km2.5x8 4pcs
- 软管
 Soft Tube (blue)
 L300mm 2pcs 蓝色
- 可转向起落架
 Landing Gears
 1set
- 三叶桨3-B Prop 2pcs
 整流罩Sipner 1set
 Propeller Set
 1set
- 泡沫快干胶
 Instant Foam Glue
 1pc



Mode the battery position to achieve the correct C.G.



警告
 Warning

未调平衡, 请勿飞行!
 Never fly the model without well balancing.

调整电池的位置获得理想的重心位置。
 Mode the battery position to achieve the correct C.G.

