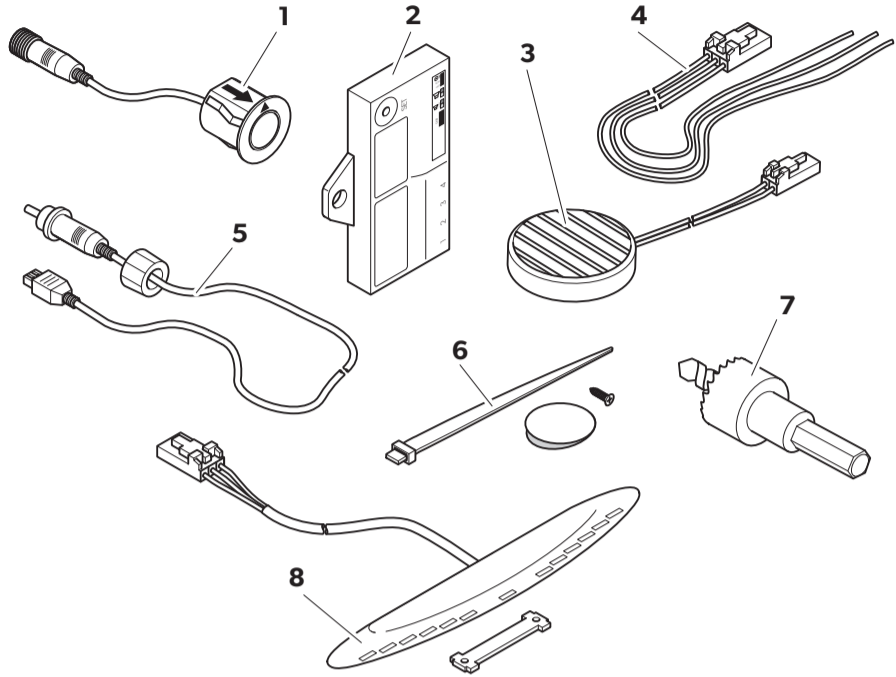




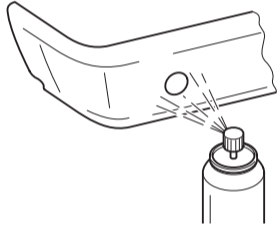
1

EN: 5	PT: 59	SV: 113	PL: 165
DE: 18	IT: 73	NO: 126	SK: 179
FR: 31	NL: 87	FI: 139	CS: 192
ES: 45	DA: 100	RU: 152	HU: 205



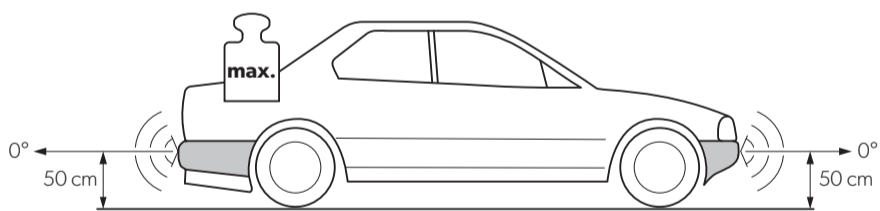
2

EN: 6	PT: 61	SV: 114	PL: 167
DE: 19	IT: 75	NO: 127	SK: 180
FR: 33	NL: 88	FI: 140	CS: 193
ES: 47	DA: 101	RU: 153	HU: 206

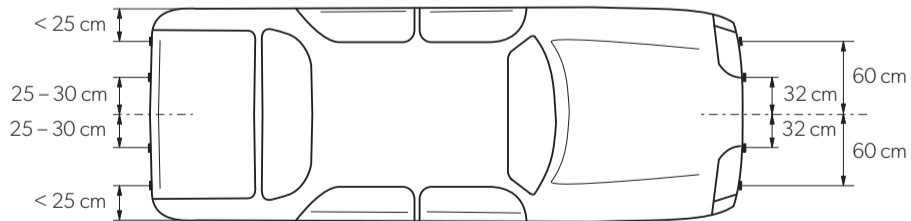


3

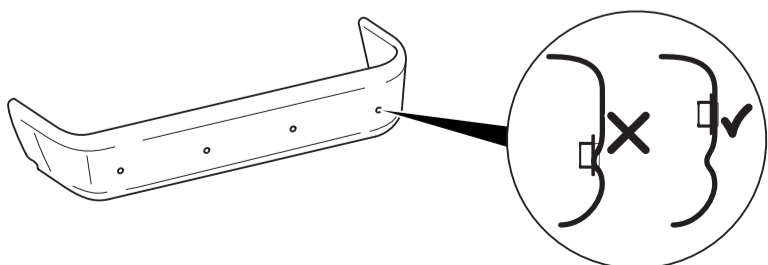
EN: 6	PT: 61	SV: 114	PL: 167
DE: 19	IT: 75	NO: 127	SK: 180
FR: 33	NL: 88	FI: 140	CS: 193
ES: 47	DA: 101	RU: 153	HU: 206



4



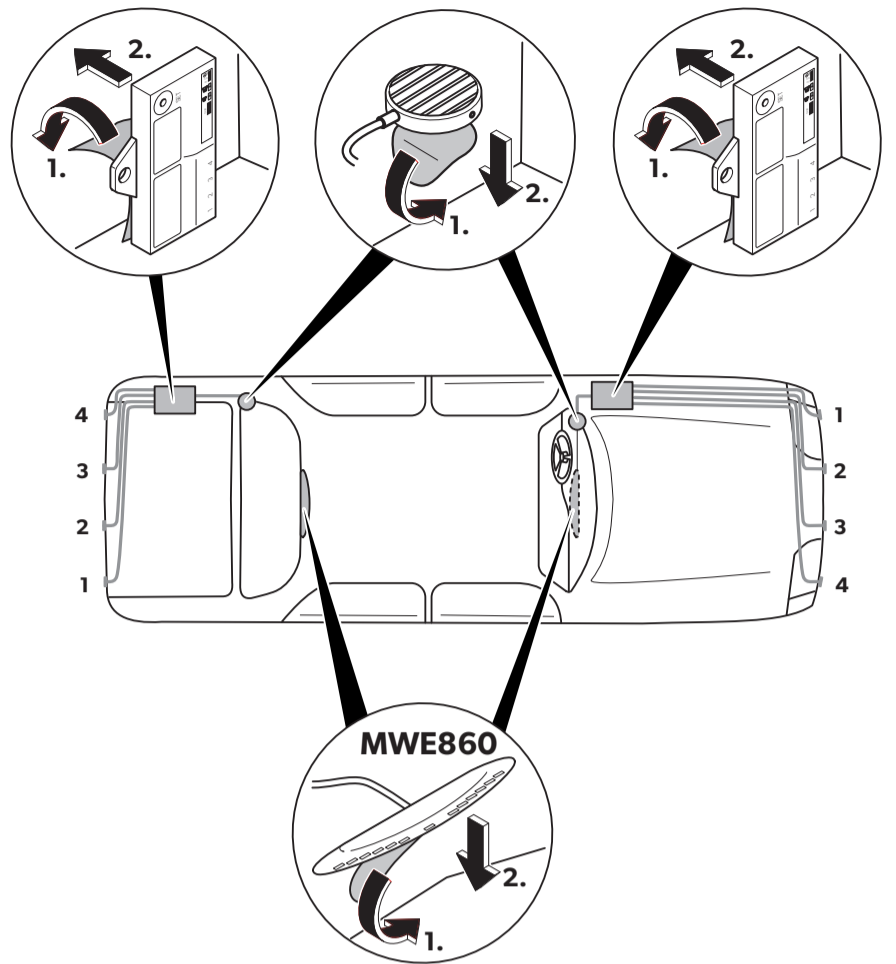
5



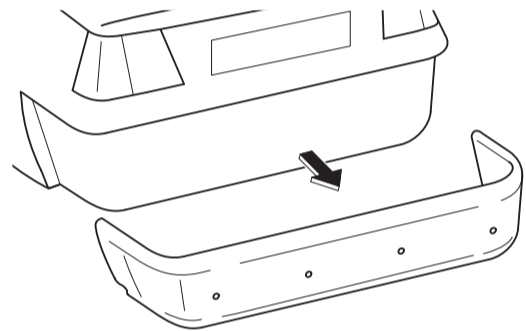
6

MWE820, 860

MWE890



7

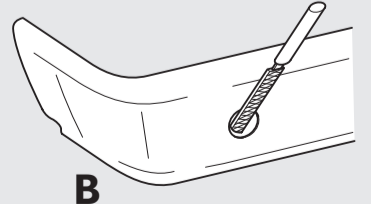
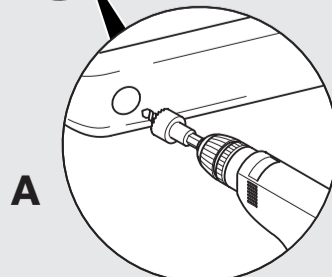
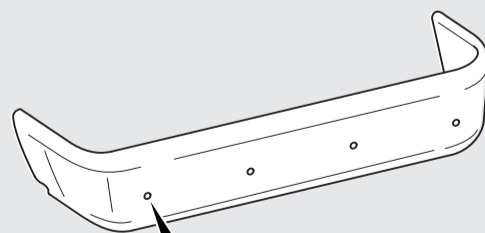
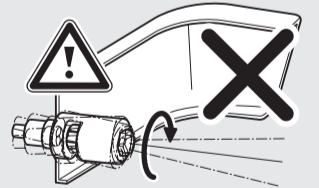
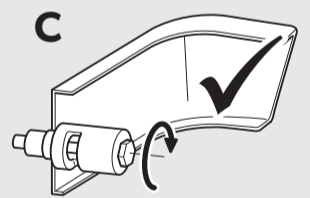
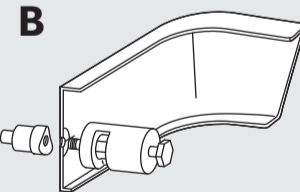
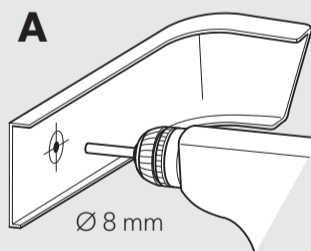


8

EN: 7	PT: 62	SV: 115	PL: 168
DE: 20	IT: 76	NO: 128	SK: 181
FR: 34	NL: 89	FI: 141	CS: 194
ES: 48	DA: 102	RU: 154	HU: 207

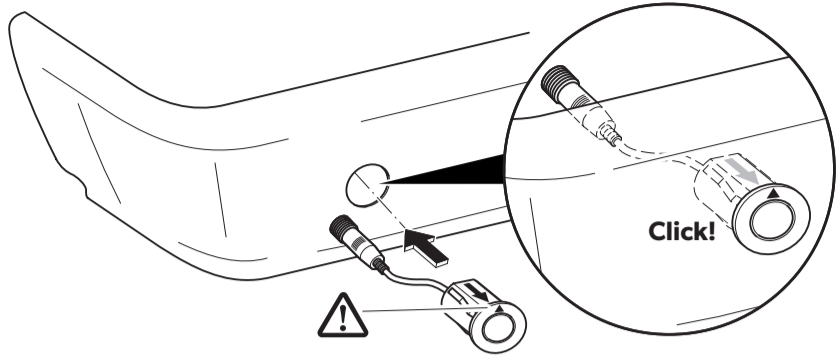
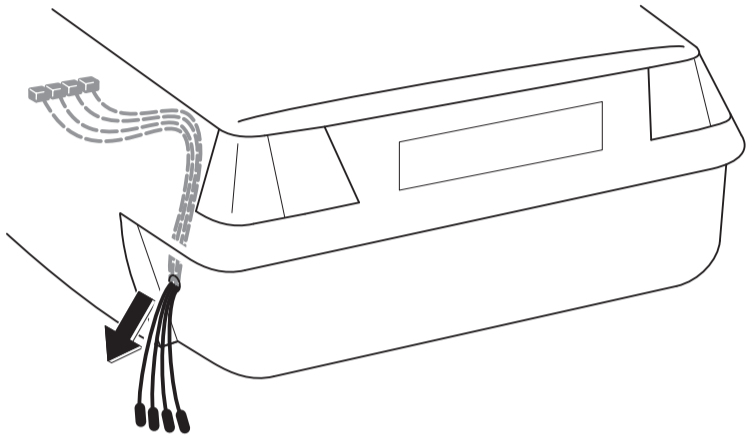
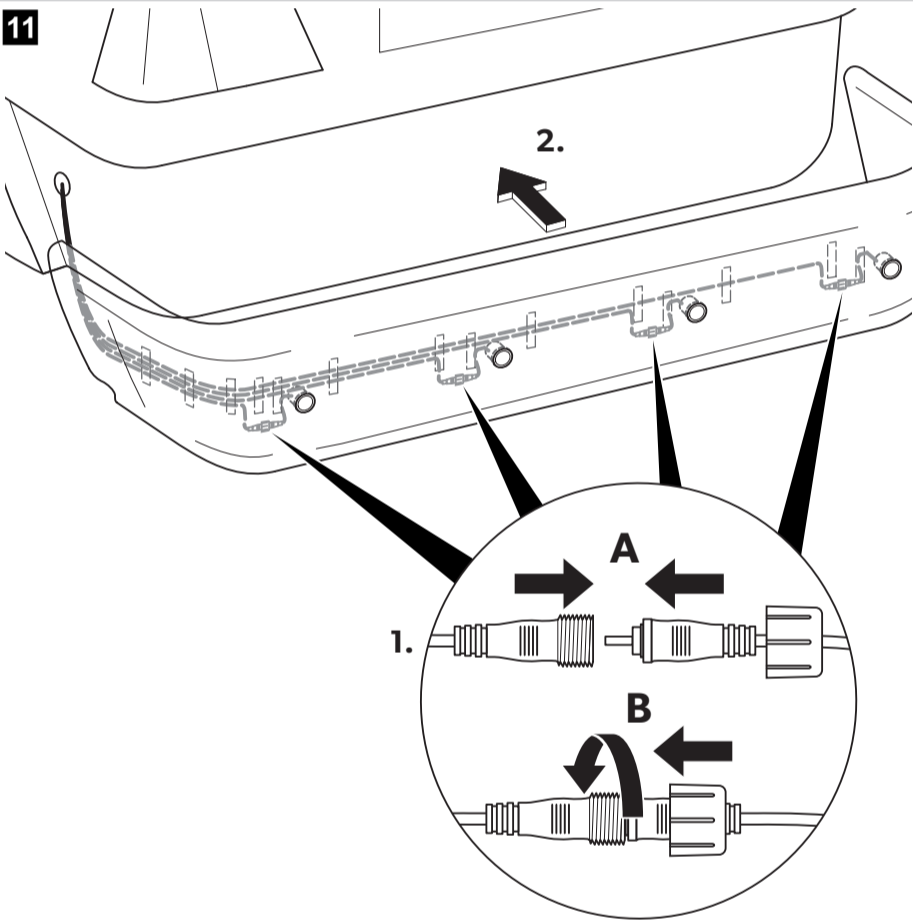


= Ø 22 mm Art-Nr. 9101500024

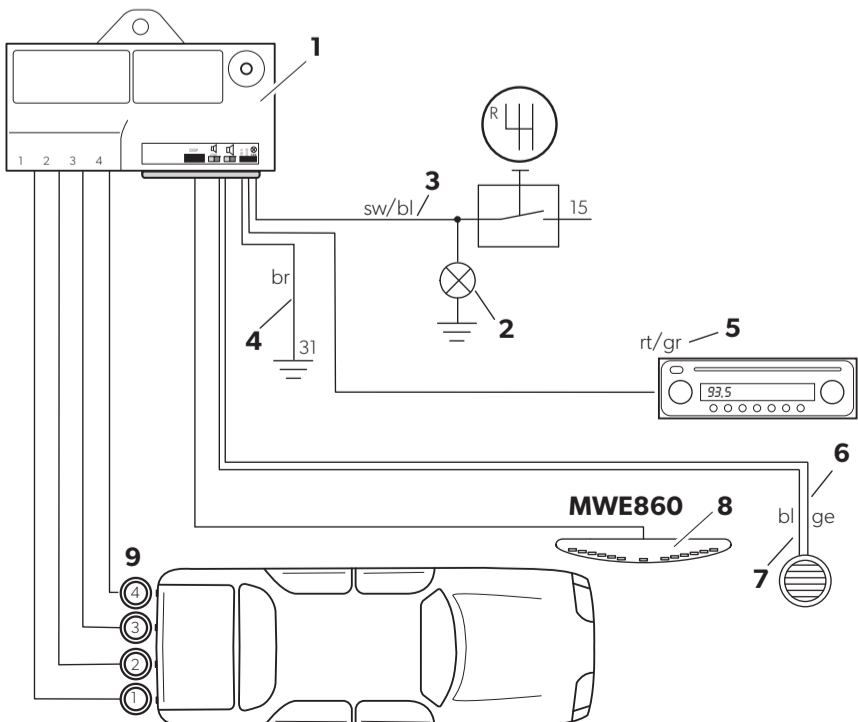


**9**

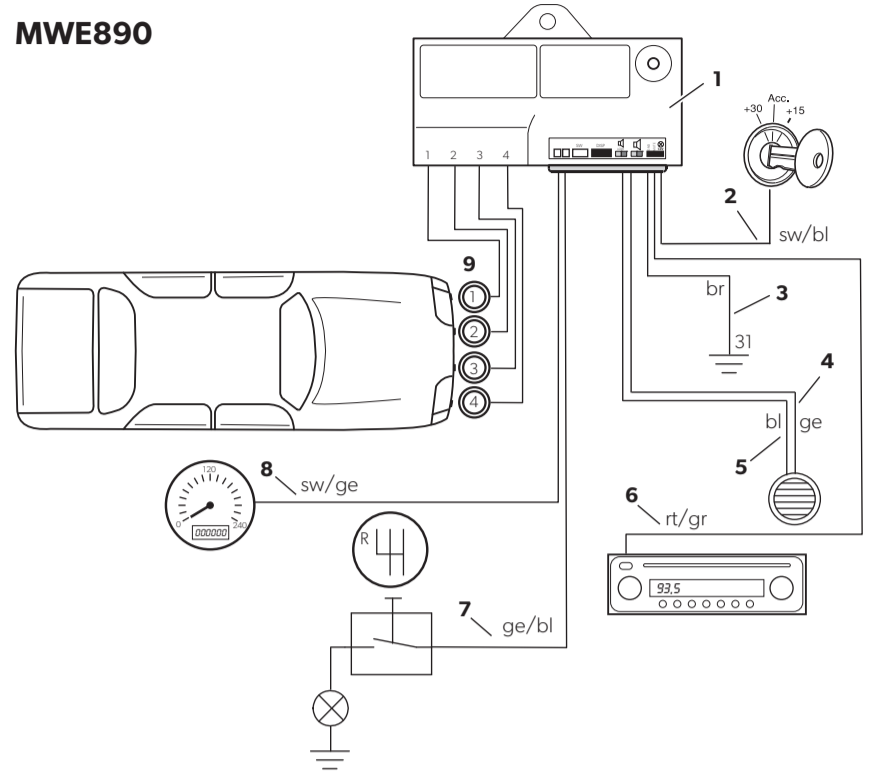
EN: 7	PT: 62	SV: 115	PL: 168
DE: 20	IT: 76	NO: 128	SK: 181
FR: 34	NL: 89	FI: 141	CS: 194
ES: 48	DA: 102	RU: 154	HU: 207

**10****11****12**

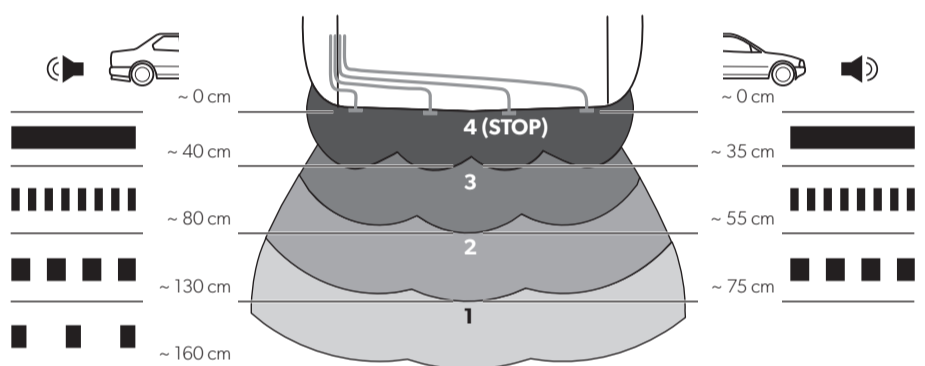
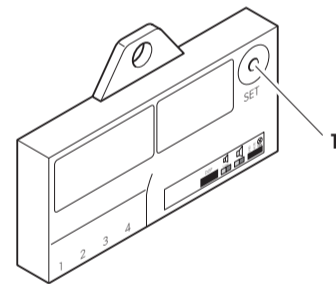
EN: 8	PT: 63	SV: 116	PL: 169
DE: 21	IT: 77	NO: 129	SK: 182
FR: 35	NL: 90	FI: 142	CS: 195
ES: 49	DA: 103	RU: 155	HU: 208

MWE820, 860**13**

EN: 8	PT: 63	SV: 116	PL: 169
DE: 21	IT: 77	NO: 129	SK: 182
FR: 35	NL: 90	FI: 142	CS: 195
ES: 49	DA: 103	RU: 155	HU: 208

MWE890**14**

EN: 9	PT: 64	SV: 117	PL: 170
DE: 22	IT: 78	NO: 130	SK: 183
FR: 36	NL: 91	FI: 143	CS: 196
ES: 50	DA: 104	RU: 156	HU: 209

**15**

EN: 9	SV: 117
DE: 22	NO: 130
FR: 36	FI: 143
ES: 51	RU: 156
PT: 65	PL: 170
IT: 78	SK: 183
NL: 91	CS: 196
DA: 104	HU: 209

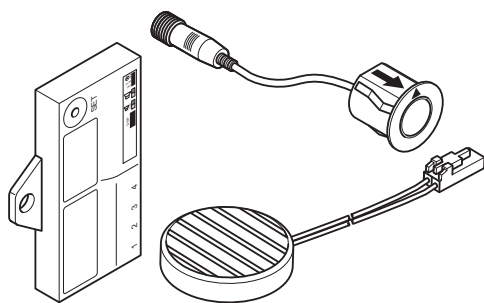
EN	DE	FR	ES	PT	IT	NL	DA	
bl	Blue	Blau	Bleu	Azul	Azul	Blu	Blauw	Blå
br	Brown	Braun	Marron	Marrón	Castanho	Marrone	Bruin	Brun
ge	Yellow	Gelb	Jaune	Amarillo	Amarelo	Giallo	Geel	Gul
gr	Grey	Grau	Gris	Gris	Cinzentto	Grigio	Grijs	Grå
rt	Red	Rot	Rouge	Rojo	Vermelho	Rosso	Rood	Rød
sw	Black	Schwarz	Noir	Negro	Preto	Nero	Zwart	Sort

SV	NO	FI	RU	PL	SK	CS	HU	
bl	Blå	Blå	Sininen	Синий	Niebieski	Modrá	Modrá	Kék
br	Brun	Brun	Ruskea	Коричневый	Brazowy	Hnedá	Hnědá	Barna
ge	Gul	Gul	Keltainen	Желтый	Zółty	Žltá	Žlutá	Sárga
gr	Grå	Grå	Harmaa	Серый	Szary	Sivá	Šedá	Szürke
rt	Rød	Rød	Punainen	Красный	Czerwony	Červená	Červená	Piros
sw	Svart	Svart	Musta	Черный	Czarny	Čierna	Černá	Fekete

↔ DOMETIC

SAFETY & SECURITY

MAGICWATCH



MWE820, MWE860, MWE890

EN	Parking aid Installation and Operating Manual 3
DE	Einparkhilfe Montage- und Bedienungsanleitung 16
FR	Aide au stationnement Instructions de montage et de service 29
ES	Sistema de ayuda para aparcar Instrucciones de montaje y de uso 43
PT	Sistema de ajuda de estacionamento Instruções de montagem e manual de instruções 57
IT	Ausilio per il parcheggio Istruzioni di montaggio e d'uso 71
NL	Inparkeerhulp Montagehandleiding en gebruiksaanwijzing 85
DA	Parkeringshjælp Monterings- og betjeningsvejledning 98
SV	Parkeringshjälp Monterings- och bruksanvisning 111

NO	Parkeringshjælp Monterings- og bruksanvisning 124
FI	Parkkitutka Asennus- ja käyttöohje 137
RU	Парковочный радар Инструкция по монтажу и эксплуатации 150
PL	System parkowania Instrukcja montażu i obsługi. 163
SK	Parkovací asistent Návod na montáž a uvedenie do prevádzky. 177
CS	Parkovací asistent Návod k montáži a obsluze 190
HU	Parkolósegéd Szerelési és használati útmutató 203

Please read this instruction manual carefully before installation and first use, and store it in a safe place. If you pass on the product to another person, hand over this instruction manual along with it.

Contents

1	Safety and installation instructions	4
2	Scope of delivery	5
4	Intended use	6
5	Instructions before installation	6
6	Fitting the parking aid	7
7	Connecting the parking aid	7
8	Detection range	9
9	Setting the system	9
10	Performing a functional test	11
11	Using the parking aid	12
12	Troubleshooting	13
13	Guarantee	14
14	Disposal	14
15	Technical data	15

1 Safety and installation instructions

The following texts only complete the figures on the supplementary sheet. They do not contain the full installation and operating instructions. Please observe the figures on the supplementary sheet.

Please observe the prescribed safety instructions and stipulations from the vehicle manufacturer and service workshops.

Observe the applicable legal regulations.

The manufacturer accepts no liability for damage in the following cases:

- Damage to the product resulting from mechanical influences and excess voltage
- Alterations to the product without express permission from the manufacturer
- Use for purposes other than those described in the operating manual



CAUTION!

- Secure the parts of the parking aid installed in the vehicle in such a way that they cannot become loose under any circumstances (sudden braking, accidents) and cause **injuries to the occupants** of the vehicle.
- Do not fit the parts of the parking aid installed where an airbag may open. This could cause injury if the airbag opens.
- The parking aid is intended as an additional aid, which means it does not relieve you of the obligation to take due care when manoeuvring.



NOTICE!

- Installing the parking aid can cause problems on vehicles with LED tail lights.
- This parking aid is **not** suitable for installing in metal bumpers.
- Do not expose the control electronics to dampness.
- The control electronics must not be installed in close proximity to other control modules.
- The sensors may not cover signal lamps.
- When fitting the sensors, make sure there are no objects fixed to the vehicle that are in the detection range of the sensors. Displaying fixed objects, such as trailer hitches, can be suppressed.
- Apply a small amount of grease inside the sensor plug connections.

2 Scope of delivery

See fig. 1

No.	Quantity	Designation	Ref. no.
1	4	Ultrasonic sensors	9101500043
2	1	Control electronics	
		MWE 820	9101500044
		MWE 860	9101500046
		MWE 890	9101500047
3	1	Loudspeaker	9101500051
4	1	Control electronics connection cable	
5	4	Sensors connection cable	
6	1	Fastening material	
7	1	Core bit 21,5 mm	
8	1	Display (MWE 860 only)	9101500045

3 Accessories

Available as accessories (not included in the scope of delivery):

Designation	Ref. no.
Punching tool 22 mm	9101500024
External button (MWE 890 only)	9101500049
Display (MWE 890 only)	9101500045
Extension cable for display, 5 m (MWE 860, 890 only)	9101500053
Connection cable for sensor, 250 cm (MWE 820, 860 only)	9101500048
Connection cable for sensor, 450 cm (MWE 890 only)	9101500050

4 Intended use

Magic Watch is an ultrasonic parking aid. It monitors space when manoeuvring

- MWE820, 860: behind the vehicle
- MWE890: in front of the vehicle

It provides an audible and visual warning signal for any obstacles it detects.

Magic Watch is designed for installation in cars.

5 Instructions before installation

5.1 Determining the place of installation for the sensors

See fig. **3** to fig. **6**



NOTE

The sensors must be correctly aligned for the device to work properly. If these point to the ground, irregularities and bumps on the surface may be interpreted as obstacles. If they point too far up, obstacles will not be detected at all.

Note the following during installation:

- The distance from the sensors to the ground should be 50 cm (fig. **3**).
- For the sensors to function optimally, the angle of the sensor to the road surface should be 90° (fig. **3**). The angle may not be less than 90°, as the road will otherwise be interpreted by the sensor as an obstacle.
- Observe the positioning of the sensors (fig. **4**).

5.2 Painting the sensors

See fig. **2**



NOTE

The sensors may be painted. The manufacturer recommends having the sensors painted by a specialist workshop.

6 Fitting the parking aid

See fig. 7 to fig. 11

Supplementary to fig. 3



NOTICE! Risk of paint damage!

- The ambient temperature may not fall below 18 °C when punching or drilling.
- We recommend using a punching tool.
- Make sure that you do not tilt the punching tool when operating.

- Deburr the drill holes.
- For a more accurate fit, slant the drill downwards slightly on the inside of the bumper when drilling the hole. The sensor housing can now be easily inserted at a downward angle.

Supplementary to fig. 9



NOTICE! Risk of malfunction

Note that the sensors must be aligned in a particular direction. The top of the sensor is marked with an ▲.

7 Connecting the parking aid



NOTE

- **MWE 820, 860:** On some vehicles, the reversing light only works when the ignition is switched on. In this case, you must switch on the ignition in order to identify the positive and earth wires.
- **MWE 890:** If the speed signal has been connected to the control electronics, the sensors are automatically deactivated at a speed over approx. 15 km/h.
The sensors are reactivated as soon as the speed falls below approx. 15 km/h.

MWE820, 860: The complete circuit diagram can be found in fig. **12**.

No.	Designation
1	Control electronics
2	Reversing light
3	Black/blue cable: connection to connected positive (+12 V)
4	Brown cable: connection to earth
5	Red/grey cable: connection to the radio's mute connection (optional)
6	Yellow cable from the loudspeaker
7	Blue cable from the loudspeaker
8	Display (MWE860 only)
9	Sensors

MWE890: The complete circuit diagram can be found in fig. **13**.

No.	Designation
1	Control electronics
2	Black/blue cable: connection to connected positive (+12 V)
3	Brown cable: connection to earth
4	Yellow cable from the loudspeaker
5	Blue cable from the loudspeaker
6	Red/grey cable: connection to the radio's mute connection (optional)
7	Yellow/blue cable: connection to reversing light (optional)
8	Black/yellow cable: connection to the speed signal from the speedometer (optional)
9	Sensors

8 Detection range

See fig. 14

The detection range of the parking aid is divided into four zones:

- **Zone 1 (MWE820, 860 only)**

This zone is the first limit range. Small objects or those with poor reflective characteristics may not be detected.

- **Zone 2**

Nearly all objects are displayed in this zone.

- **Zone 3**

Nearly all objects in this zone are displayed, however objects may only appear in the sensors' blind spot, or not be detected at all due to their consistency or small size.

- **Stop zone (4)**

If there are objects in this zone, the parking aid emits a continuous tone warning you to stop.

Nearly all objects in this zone are displayed, however objects may only appear in the sensors' blind spot or not be detected at all due to their consistency or small size.

Displaying fixed objects, such as a trailer hitch, can be suppressed.

9 Setting the system

There is a button (fig. 15 1) on the controller for setting the following parameter.

9.1 Setting the sensitivity

- Switch on the ignition.
- Engage the reverse gear (**MWE820, 860 only**).
- Press the button for not more than two seconds to set the sensitivity in the following sequence:
 - Low sensitivity: the loudspeaker beeps once
 - Medium sensitivity (standard): the loudspeaker beeps twice
 - High sensitivity: the loudspeaker beeps three times

Pressing the button repeatedly changes the sensitivity in the above sequence.

9.2 Suppressing the display of fixed objects (such as trailer hitches) (MWE820, 860 only)



NOTICE!

Before making the setting, make sure that there are no additional objects in the stop zone, such as people or other vehicles.

- Switch on the ignition.
- Engage the reverse gear.
- Press the button for three seconds until the loudspeaker beeps briefly.
- ✓ The loudspeaker emits short beeps repeatedly.
- ✓ The system initialises the fixed object.
- To end the setting, disengage the reverse gear after a period of at least three seconds.

9.3 Restoring the factory settings

MWE820, 860

- Switch on the ignition.
- Engage the reverse gear.
- Press the button for longer than four seconds.
- ✓ The loudspeaker beeps repeatedly.
- Disengage the reverse gear.
- Engage the reverse gear again.
- ✓ The system has been reset to the default settings.

MWE890



NOTE

If the speedometer speed signal has been disconnected from the control electronics, the default settings must be restored to ensure that the sensors function correctly.

- ▶ Switch on the ignition.
- ▶ Press the button for longer than two seconds.
- ✓ The loudspeaker beeps repeatedly.
- ▶ Let go of the button.
- ✓ The system has been reset to the default settings.

9.4 Reflecting the display (MWE860 only)

If the obstacles are shown the wrong way round on the display, proceed as follows:

- ▶ Connect the sensor plugs into the sockets on the control module in the reverse order (1 → 4, 2 → 3, 3 → 2, 4 → 1).

10 Performing a functional test

To test the parking aid, drive towards something slowly such as a wall.



NOTICE!

Be very careful when you operate the device for the first time, and make sure that you familiarize yourself with the various sequences of beeps (fig. **14**).

11 Using the parking aid

The **rear** sensors (MWE 820, 860) are activated automatically by engaging the reverse gear with the ignition on or the engine running. The speaker will emit a double beep.

The **front** sensors (MWE 890) are automatically activated as soon as the ignition is switched on and the speed of the vehicle lies between 0 and around 15 km/h.

As an option, instead of being connected to the speed signal, the control electronics of the front sensors can be connected to the reversing light or an external switch.



NOTE

Before using either of these functions, hold down the button on the control electronics for 2 seconds (see chapter "Restoring the factory settings" on page 10).

The sensors are active in the following cases:

- For around 30 seconds after the motor is started
- When the reverse gear is engaged and the control electronics are connected to the reversing light
- For around 30 seconds after the reverse gear is disengaged
- The sensors can be activated with an external button (accessory) for a duration of around 30 seconds.

As soon as there is an obstacle within the detection range, a repeated signal tone is emitted.

As you approach, the tone sequence and the flashing frequency change, depending on the zone in which the obstacle is, thus indicating the distance (fig. 14).

MWE 860 (optional MWE 890): The nearer the obstacle gets, the more LEDs light up on the display.



NOTICE!

Stop the vehicle immediately and investigate the situation (getting out if necessary), if the following happens while you are manoeuvring: when manoeuvring, the device first indicates an obstacle and the tone sequence speeds up normally (e.g. from slow to medium). Suddenly the signal tone slows down, or no obstacle is indicated at all. This means that the original obstacle is in the blind spot of the sensors (construction-related characteristic), and it is possible to hit it.

12 Troubleshooting

The device indicates no function.

The voltage supply cable (black/blue and brown wires) is not connected or is incorrectly connected.

- Check the connections.

The plugs for the sensors are not connected or are not properly plugged into the control electronics.

- Check the plugs, and make sure they lock into place.

A long tone sounds (approx. 3 seconds) after switching on the ignition

One or more sensors are defective or no longer connected to the control electronics. The loudspeaker indicates the faulty sensor by the number of beeps after the long beep: for example three beeps for sensor 3.

- Check the plugs and make sure they lock into place.
- Replace the defective sensor(s).



NOTICE!

The system no longer works reliably if one or more sensors are faulty.

Device indicates obstacles incorrectly.

False alarms may have the following causes:

- For example dirt or frost on the sensors
- Clean the sensors.
- The sensors were incorrectly installed.
- Adjust the direction or height of the sensors (fig. **3**).
- The sensors have contact with the chassis.
- Disconnect the sensors from the chassis.

Objects on the vehicle (e. g. spare wheel) lead to false alarms.

- Set the system so that fixed objects are no longer displayed (see chapter "Setting the system" on page 9).

13 Guarantee

The statutory warranty period applies. If the product is defective, please contact the manufacturer's branch in your country (see the back of the instruction manual for the addresses) or your retailer.

For repair and guarantee processing, please send the following items:

- Defect components
- A copy of the receipt with purchasing date
- A reason for the claim or description of the fault


14 Disposal

- ▶ Place the packaging material in the appropriate recycling waste bins wherever possible.



If you wish to finally dispose of the product, ask your local recycling centre or specialist dealer for details about how to do this in accordance with the applicable disposal regulations.

15 Technical data

	MagicWatch		
	MWE820	MWE860	MWE890
Ref. no.:	9600000353	9600000354	9600000355
Detection range:	Approx. 0.40 m to 1.6 m		Approx. 0,35 m to 0,75 m
Ultrasound frequency:	40 kHz		
Versorgungsspannung:	10 – 24 V		
Supply voltage:	max. 120 mA		
Operating temperature:	–25 °C to +70 °C		
Certification:	 030117		



NOTE

The sensors may be painted. The manufacturer recommends having the sensors painted by a specialist workshop.

Bitte lesen Sie diese Anleitung vor Einbau und Inbetriebnahme sorgfältig durch und bewahren Sie sie auf. Geben Sie sie im Falle einer Weitergabe des Produktes an den Nutzer weiter.

Inhaltsverzeichnis

1	Sicherheits- und Einbauhinweise	17
2	Lieferumfang	18
4	Bestimmungsgemäßer Gebrauch	19
5	Hinweise vor dem Einbau.	19
6	Einparkhilfe montieren	20
7	Einparkhilfe anschließen	20
8	Erfassungsbereich	22
9	System einstellen.	22
10	Funktion testen	24
11	Einparkhilfe benutzen	25
12	Fehler suchen	26
13	Gewährleistung.	27
14	Entsorgung	27
15	Technische Daten	28

1 Sicherheits- und Einbauhinweise

Die folgenden Texte ergänzen die Abbildungen auf dem Beiblatt lediglich. Sie alleine sind keine vollständigen Einbau- und Bedienungshinweise! Bitte beachten Sie unbedingt die Abbildungen auf dem Beiblatt!

Beachten Sie die vom Fahrzeughersteller und vom Kfz-Handwerk vorgeschriebenen Sicherheitshinweise und Auflagen!

Beachten Sie die geltenden gesetzlichen Vorschriften.

Der Hersteller übernimmt in folgenden Fällen keine Haftung für Schäden:

- Beschädigungen am Produkt durch mechanische Einflüsse und Überspannungen
- Veränderungen am Produkt ohne ausdrückliche Genehmigung vom Hersteller
- Verwendung für andere als die in der Anleitung beschriebenen Zwecke



VORSICHT!

- Befestigen Sie die im Fahrzeug montierten Teile der Einparkhilfe so, dass sie sich unter keinen Umständen (scharfes Abbremsen, Verkehrsunfall) lösen und zu **Verletzungen der Fahrzeuginsassen** führen können.
- Befestigen Sie die im Fahrzeug montierten Teile der Einparkhilfe nicht im Wirkungsbereich eines Airbags. Sonst besteht Verletzungsgefahr, wenn der Airbag auslöst.
- Die Einparkhilfe soll Sie zusätzlich unterstützen, d. h. das Gerät entbindet Sie nicht von Ihrer besonderen Vorsichtspflicht beim Rangieren.



ACHTUNG!

- Bei Fahrzeugen mit LED-Rücklichtern kann der Einbau der Einparkhilfe zu Störungen führen.
- Die Einparkhilfe ist **nicht** zur Montage in Metall-Stoßfänger geeignet.
- Die Steuerelektroniken dürfen keiner Feuchtigkeit ausgesetzt sein.
- Die Steuerelektronik darf nicht in unmittelbarer Nähe von anderen Steuermodulen installiert werden.
- Die Sensoren dürfen keine Signallampen verdecken.

- Achten Sie bei der Montage der Sensoren darauf, dass sich keine am Fahrzeug festangebauten Objekte im Erfassungsbereich der Sensoren befinden. Die Anzeige von festen Objekten wie z. B. Anhängerzugvorrichtungen kann unterdrückt werden.
- Geben Sie etwas Fett in die Steckverbindung der Sensoren hinein.

2 Lieferumfang

Siehe Abb. **1**

Nr.	Menge	Bezeichnung	Art.-Nr.
1	4	Ultraschall-Sensoren	9101500043
2	1	Steuerelektronik	
		MWE 820	9101500044
		MWE 860	9101500046
		MWE 890	9101500047
3	1	Lautsprecher	9101500051
4	1	Anschlusskabel Steuerelektronik	
5	4	Anschlusskabel Sensoren	
6	1	Befestigungsmaterial	
7	1	Kernbohrer 21,5 mm	
8	1	Display (nur MWE860)	9101500045

3 Zubehör

Als Zubehör erhältlich (nicht im Lieferumfang enthalten):

Bezeichnung	Art.-Nr.
Stanzwerkzeug 22 mm	9101500024
Externer Taster (nur MWE890)	9101500049
Display (nur MWE890)	9101500045
Verlängerungskabel Display, 5 m (nur MWE860, 890)	9101500053
Anschlusskabel Sensor, 250 cm (nur MWE820, 860)	9101500048
Anschlusskabel Sensor, 450 cm (nur MWE890)	9101500050

4 Bestimmungsgemäßer Gebrauch

MagicWatch ist eine Einparkhilfe auf Ultraschallbasis. Sie überwacht beim Rangieren den Raum

- MWE820, 860: hinter dem Fahrzeug
- MWE890: vor dem Fahrzeug

Sie warnt akustisch und optisch vor Hindernissen, die durch das Gerät erfasst werden.

MagicWatch ist zum Einbau in Pkw ausgelegt.

5 Hinweise vor dem Einbau

5.1 Einbauort für die Sensoren festlegen

Siehe Abb. **3** bis Abb. **6**



HINWEIS

Wichtig für die einwandfreie Funktion des Gerätes ist die korrekte Ausrichtung der Sensoren.

Wenn diese auf den Boden zeigen, werden z. B. Bodenunebenheiten als Hindernis angezeigt. Wenn sie zu weit nach oben zeigen, werden vorhandene Hindernisse nicht erkannt.

Beachten Sie Folgendes bei der Montage:

- Der Abstand der Sensoren zum Boden sollte 50 cm betragen (Abb. **3**).
- Zur optimalen Funktion sollte der Winkel des Sensors zur Fahrbahn 90° betragen (Abb. **3**). Der Winkel darf nicht kleiner als 90° sein, da dann die Fahrbahn vom Sensor als Hindernis erkannt wird.
- Achten Sie auf die Positionierung der Sensoren (Abb. **4**).

5.2 Sensoren lackieren

Siehe Abb. **2**



HINWEIS

Die Sensoren dürfen lackiert werden. Der Hersteller empfiehlt, die Lackierung der Sensoren von einer Fachwerkstatt vornehmen zu lassen.

6 Einparkhilfe montieren

Siehe Abb. **7** bis Abb. **11**

Ergänzung zu Abb. **8**



ACHTUNG! Gefahr von Lackschäden!

- Die Umgebungstemperatur darf beim Stanzen oder Bohren nicht unterhalb von 18 °C liegen.
- Wir empfehlen die Benutzung des Stanzwerkzeuges.
- Achten Sie darauf, das Stanzwerkzeug bei der Anwendung nicht zu verkanten.

- Entgraten Sie die Bohrungen.
- Schrägen Sie die Bohrungen für eine bessere Passgenauigkeit unten auf der Stoßfängerinnenseite etwas ab. Das Sensorgehäuse kann nun leicht schräg nach unten eingeschoben werden.

Ergänzung zu Abb. **9**



ACHTUNG! Gefahr von Funktionsstörung!

Beachten Sie, dass die Sensoren eine bestimmte Ausrichtung haben müssen. Die Oberseite des Sensors ist mit einem ▲ markiert.

7 Einparkhilfe anschließen



HINWEIS

- **MWE 820, 860:** Bei manchen Fahrzeugen funktioniert der Rückfahr-scheinwerfer nur bei eingeschalteter Zündung. In diesem Fall müssen Sie die Zündung einschalten, um die Plus- und die Masse-leitung zu bestimmen.
- **MWE 890:** Wenn das Geschwindigkeitssignal an die Steuer-elektronik angeschlossen wurde, werden die Sensoren automatisch bei einer Geschwindigkeit über ca. 15 km/h deaktiviert. Sobald die Geschwindigkeit unterhalb ca. 15 km/h sinkt, werden die Sensoren wieder aktiviert.

MWE 820, 860: Den Gesamtanschlussplan finden Sie in Abb. **12**.

Nr.	Bezeichnung
1	Steuerelektronik
2	Rückfahrscheinwerfer
3	Schwarz/Blaue Ader: Anschluss an geschaltetes Plus (+12 V)
4	Braune Ader: Anschluss an Masse
5	Rot/Graue Ader: Anschluss an den Mute-Anschluss des Radios (optional)
6	Gelbe Ader vom Lautsprecher
7	Blaue Ader vom Lautsprecher
8	Display (nur MWE 860)
9	Sensoren

MWE 890: Den Gesamtanschlussplan finden Sie in Abb. **13**.

Nr.	Bezeichnung
1	Steuerelektronik
2	Schwarz/Blaue Ader: Anschluss an geschaltetes Plus (+12 V)
3	Braune Ader: Anschluss an Masse
4	Gelbe Ader vom Lautsprecher
5	Blaue Ader vom Lautsprecher
6	Rot/Graue Ader: Anschluss an den Mute-Anschluss des Radios (optional)
7	Gelb/Blaue Ader: Anschluss an Rückfahrscheinwerfer (optional)
8	Schwarz/Gelbe Ader: Anschluss an das Geschwindigkeitssignal des Tachometers (optional)
9	Sensoren

8 Erfassungsbereich

Siehe Abb. 14

Der Erfassungsbereich der Einparkhilfe ist in vier Zonen aufgeteilt:

- **Zone 1 (nur MWE820, 860)**

Diese Zone ist der erste Grenzbereich. Hier werden kleine oder schlecht reflektierende Gegenstände unter Umständen nicht erfasst.

- **Zone 2**

In dieser Zone werden nahezu alle Objekte angezeigt.

- **Zone 3**

In dieser Zone werden nahezu alle Objekte angezeigt, aber es können Gegenstände in den toten Winkel der Sensoren geraten oder auf Grund ihrer Beschaffenheit oder geringen Grösse nicht erfasst werden.

- **Stoppzone (4)**

Objekte in dieser Zone führen dazu, dass die Einparkhilfe durch einen Dauerton „Stopp“ signalisiert.

In dieser Zone werden nahezu alle Objekte angezeigt, aber es können Gegenstände in den toten Winkel der Sensoren geraten oder auf Grund ihrer Beschaffenheit oder geringen Grösse nicht erfasst werden.

Die Anzeige von festen Objekten wie z. B. Anhängerzugvorrichtungen kann unterdrückt werden.

9 System einstellen

Die Steuerelektronik besitzt einen Taster (Abb. 15 1) zum Einstellen der folgenden Parameter.

9.1 Empfindlichkeit einstellen

- ▶ Schalten Sie die Zündung ein.
- ▶ Legen Sie den Rückwärtsgang ein (**nur MWE820, 860**).
- ▶ Drücken Sie den Taster kürzer als zwei Sekunden, um die Empfindlichkeit in folgender Reihenfolge einzustellen:
 - Niedrige Empfindlichkeit: der Lautsprecher piept einmal
 - Mittlere Empfindlichkeit (Standard): der Lautsprecher piept zweimal
 - Hohe Empfindlichkeit: der Lautsprecher piept dreimal

Durch wiederholtes Drücken des Tasters wird die Empfindlichkeit in der oben angegebenen Reihenfolge geändert.

9.2 Anzeige von festen Objekten (z. B. Anhängerzugvorrichtung) unterdrücken (nur MWE820, 860)



ACHTUNG!

Stellen Sie vor dem Einstellen sicher, dass sich keine zusätzlichen Objekte in der Stoppzone befinden, z. B. Personen oder andere Fahrzeuge.

- Schalten Sie die Zündung ein.
- Legen Sie den Rückwärtsgang ein.
- Drücken Sie den Taster länger als zwei Sekunden, aber kürzer als vier Sekunden, bis der Lautsprecher kurz piept.
- ✓ Der Lautsprecher gibt wiederholt kurze Pieptöne aus.
- ✓ Das System initialisiert das feste Objekt.
- Um die Einstellung zu beenden, kuppeln Sie den Rückwärtsgang nach einer Laufzeit von mindestens drei Sekunden wieder aus.

9.3 Werkseinstellung wiederherstellen

MWE820, 860

- Schalten Sie die Zündung ein.
- Legen Sie den Rückwärtsgang ein.
- Drücken Sie den Taster länger als vier Sekunden.
- ✓ Der Lautsprecher gibt wiederholt Pieptöne aus.
- Kuppeln Sie den Rückwärtsgang aus.
- Legen Sie den Rückwärtsgang wieder ein.
- ✓ Das System wurde auf die Werkseinstellungen zurückgesetzt.

MWE 890**HINWEIS**

Wurde das Geschwindigkeitssignal des Tachometers von der Steuer-elektronik getrennt, muss die Werkseinstellung wiederhergestellt werden, um die korrekte Funktion der Sensoren zu gewährleisten.

- ▶ Schalten Sie die Zündung ein.
- ▶ Drücken Sie den Taster länger als zwei Sekunden.
- ✓ Der Lautsprecher gibt wiederholt Pieptöne aus.
- ▶ Lassen Sie den Taster wieder los.
- ✓ Das System wurde auf die Werkseinstellungen zurückgesetzt.

9.4 Displayanzeige spiegeln (nur MWE 860)

Falls die Hindernisse auf dem Display seitenverkehrt angezeigt werden, gehen Sie wie folgt vor:

- ▶ Stecken Sie die Anschlussstecker der Sensoren in umgekehrter Reihenfolge in die Buchsen im Steuermodul (1 → 4, 2 → 3, 3 → 2, 4 → 1).

10 Funktion testen

Um die Einparkhilfe zu testen, fahren Sie z. B. langsam auf eine Wand zu.

**ACHTUNG!**

Gehen Sie bei der Erstinbetriebnahme mit äußerster Vorsicht vor und machen Sie sich mit den verschiedenen Tonfolgen vertraut (Abb. 14).

11 Einparkhilfe benutzen

Die **hinteren** Sensoren (MWE820, 860) werden automatisch durch Einlegen des Rückwärtsgangs aktiviert, wenn die Zündung eingeschaltet ist oder der Motor läuft. Der Lautsprecher gibt einen Doppelpelton aus.

Die **vorderen** Sensoren (MWE890) werden automatisch aktiviert, sobald die Zündung eingeschaltet ist und die Fahrgeschwindigkeit zwischen 0 und ca. 15 km/h liegt.

Optional kann die Steuerelektronik der vorderen Sensoren anstelle an das Geschwindigkeitssignal auch mit dem Rückfahrcheinwerfer verbunden oder einem externen Schalter angeschlossen werden.



HINWEIS

Vor Verwendung einer dieser beiden Funktionen den Taster an der Steuerelektronik für 2 Sekunden gedrückt halten (siehe Kapitel „Werkeinstellung wiederherstellen“ auf Seite 23).

Die Sensoren sind in folgenden Fällen aktiv:

- Ca. 30 Sekunden lang nach dem Start des Motors
- Wenn der Rückwärtsgang eingelegt ist und die Steuerelektronik an den Rückfahrcheinwerfer angeschlossen ist
- Ca. 30 Sekunden lang nach dem Auskuppeln des Rückwärtsgangs
- Mit einem externen Taster (Zubehör) können die Sensoren für ein Intervall von ca. 30 Sekunden aktiv geschaltet werden.

Sobald sich ein Hindernis im Erfassungsbereich befindet, ertönt ein sich gleichmäßig wiederholender Signalton.

Beim Heranfahren werden, je nachdem in welcher Zone sich das Hindernis gerade befindet, die Tonfolge und die Blinkfrequenz geändert und somit eine Entfernung signalisiert (Abb. **14**).

MWE 860 (optional MWE 890): Auf dem Display leuchten mehr LEDs, je näher das Hindernis kommt.

**ACHTUNG!**

Halten Sie das Fahrzeug sofort an und prüfen Sie die Situation (ggf. aussteigen), wenn beim Rangieren Folgendes geschieht:

Beim Rangieren zeigt das Gerät zunächst ein Hindernis an, und die Tonfolge wird ganz normal schneller (z. B. Wechsel von der langsamen in die mittlere Tonfolge). Plötzlich springt der Signalton auf die langsame Tonfolge um oder zeigt überhaupt kein Hindernis mehr an.

Dies bedeutet, dass sich das ursprüngliche Hindernis nicht mehr im Erfassungsbereich der Sensoren befindet (bauartbedingt), aber immer noch angefahren werden kann.

12 Fehler suchen

Gerät zeigt keine Funktion.

Das Spannungsversorgungskabel (schwarz/blau und braune Leitung) hat keinen Kontakt oder ist falsch angeschlossen.

- Prüfen sie die Verbindungen.

Die Stecker der Sensoren sind nicht oder nicht richtig in die Steuerelektronik eingesteckt.

- Prüfen Sie die Stecker und stecken Sie sie ggf. so auf, dass sie einrasten.

Nach Einschalten der Zündung ertönt ein langer Ton (ca. 3 s)

Ein oder mehrere Sensoren sind defekt oder nicht mehr mit der Steuerelektronik verbunden. Der Lautsprecher zeigt durch die Anzahl der Pieptöne nach dem langen Ton den defekten Sensor an: zum Beispiel drei Pieptöne für Sensor 3.

- Prüfen Sie die Stecker und stecken Sie sie ggf. so auf, dass sie einrasten.
- Tauschen Sie den oder die defekten Sensoren aus.

**ACHTUNG!**

Das System funktioniert nicht mehr zuverlässig, wenn ein oder mehrere Sensoren defekt sind.

Gerät meldet Hindernisse falsch.

Folgende Ursachen können zu Fehlalarmen führen:

- zum Beispiel Schmutz oder Frost auf den Sensoren
- Reinigen Sie die Sensoren.
- Die Sensoren wurden falsch montiert.
- Passen Sie die Ausrichtung oder Höhe der Sensoren an (Abb. **3**).
- Die Sensoren haben Kontakt mit dem Fahrzeugchassis.
- Trennen Sie die Sensoren vom Chassis.

Objekte am Fahrzeug (z. B. Ersatzrad) führen zu Fehlalarmen.

- Stellen Sie das System so ein, dass feste Objekte nicht mehr angezeigt werden (siehe Kapitel „System einstellen“ auf Seite 22).

13 Gewährleistung

Es gilt die gesetzliche Gewährleistungsfrist. Sollte das Produkt defekt sein, wenden Sie sich bitte an die Niederlassung des Herstellers in Ihrem Land (Adressen siehe Rückseite der Anleitung) oder an Ihren Fachhändler.

Zur Reparatur- bzw. Gewährleistungsbearbeitung müssen Sie Folgendes einschicken:

- defekte Komponenten,
- eine Kopie der Rechnung mit Kaufdatum,
- einen Reklamationsgrund oder eine Fehlerbeschreibung.


14 Entsorgung

- Geben Sie das Verpackungsmaterial möglichst in den entsprechenden Recycling-Müll.



Wenn Sie das Produkt endgültig außer Betrieb nehmen, informieren Sie sich bitte beim nächsten Recyclingcenter oder bei Ihrem Fachhändler über die zutreffenden Entsorgungsvorschriften.

15 Technische Daten

	MagicWatch		
	MWE820	MWE860	MWE890
Art.-Nr.:	9600000353	9600000354	9600000355
Erfassungsbereich:	ca. 0,40 m bis zu 1,6 m		ca. 0,35 m bis zu 0,75 m
Ultraschallfrequenz:	40 kHz		
Versorgungsspannung:	10 – 24 V		
Stromaufnahme:	maximal 120 mA		
Betriebstemperatur:	-25 °C bis +70 °C		
Zulassung:			



HINWEIS

Die Sensoren dürfen lackiert werden. Der Hersteller empfiehlt, die Lackierung der Sensoren von einer Fachwerkstatt vornehmen zu lassen.

Veillez lire attentivement cette notice avant le montage et la mise en service. Veillez ensuite la conserver. En cas de passer le produit, veuillez le transmettre au nouvel acquéreur.

Sommaire

1	Consignes de sécurité et instructions de montage	30
2	Contenu de la livraison	31
4	Usage conforme	32
5	Consignes préalables au montage.	33
6	Montage de l'aide au stationnement	34
7	Raccordement de l'aide au stationnement	34
8	Zone de détection	36
9	Réglage du système	36
10	Test de fonctionnement	38
11	Utilisation de l'aide au stationnement	39
12	Recherche des pannes	40
13	Garantie	41
14	Recyclage	41
15	Caractéristiques techniques	42

1 Consignes de sécurité et instructions de montage

Les textes suivants ne font que compléter les illustrations en annexe. Il ne s'agit pas d'instructions complètes de montage et d'utilisation ! Veuillez impérativement respecter les illustrations en annexe !

Respectez les consignes de sécurité et autres prescriptions imposées par le fabricant du véhicule et par les professionnels de l'automobile !

Respectez les consignes légales en vigueur.

Le fabricant décline toute responsabilité pour des dommages dans les cas suivants :

- des influences mécaniques et des surtensions ayant endommagé le matériel
- des modifications apportées au produit sans autorisation explicite de la part du fabricant
- une utilisation différente de celle décrite dans la notice



ATTENTION !

- Fixez les pièces de l'aide au stationnement installées dans le véhicule de manière à ce qu'elles ne puissent en aucun cas se desserrer (freinage abrupt, accident) et risquer de causer des **blessures aux occupants** du véhicule.
- N'installez pas les pièces de l'aide au stationnement dans le champ d'action d'un airbag, sans quoi elles risqueraient de blesser les passagers en cas d'enclenchement de l'airbag.
- L'aide au stationnement doit vous apporter une aide supplémentaire, c'est-à-dire que l'appareil ne vous dégage pas du devoir de prudence qui vous incombe lorsque vous faites une manœuvre.



AVIS !

- Sur les véhicules équipés de feux arrière LED, le montage de l'aide au stationnement peut entraîner des dysfonctionnements.
- L'aide au stationnement n'est **pas** conçue pour un montage sur pare-chocs métallique.
- Veillez à ce que les électroniques de commande ne soient pas exposées à l'humidité.
- L'électronique de commande ne doit pas être installée à proximité immédiate d'autres modules de commande.
- Veillez à ce qu'aucun détecteur ne cache les lampes de signalisation.

- Lors du montage des détecteurs, assurez-vous qu'aucun objet fixé sur le véhicule ne se trouve dans la zone de détection. Il est possible de supprimer l'affichage d'objets fixes, par exemple des dispositifs de remorquage.
- Appliquez un peu de graisse dans les raccords enfichables des capteurs.

2 Contenu de la livraison

Voir fig. 1

N°	Quantité	Désignation	N° d'article
1	4	Détecteurs à ultrasons	9101500043
2	1	Electronique de commande	
		MWE 820	9101500044
		MWE 860	9101500046
		MWE 890	9101500047
3	1	Câbles de raccordement de l'électronique de commande	9101500051
5	4	Câbles de raccordement des détecteurs	
4	1	Cavalier	
6	1	Matériel de fixation	
7	1	Foret 21,5 mm	
8	1	Ecran (uniquement MWE 860)	9101500045

3 Accessoires

Disponibles en accessoires (non compris dans la livraison) :

Désignation	N° d'article
Outil de découpage 22 mm	9101500024
Touche externe (uniquement MWE 890)	9101500049
Ecran (uniquement MWE 890)	9101500045
Câble de rallonge pour l'écran, 5 m (uniquement MWE 860, 890)	9101500053
Câble de raccordement des détecteurs, 250 cm (uniquement MWE 820, 860)	9101500048
Câble de raccordement des détecteurs, 450 cm (uniquement MWE 890)	9101500050

4 Usage conforme

MagicWatch est une aide au stationnement utilisant les ultrasons. Lors des manœuvres, elle surveille l'espace

- MWE 820, 860: derrière le véhicule
- MWE 890: devant le véhicule

Elle signale de manière sonore et visuelle les obstacles détectés par l'appareil.

MagicWatch est conçu pour être installé dans les voitures.

5 Consignes préalables au montage

5.1 Déterminer l'emplacement de montage pour les détecteurs

Voir fig. **3** jusqu'à fig. **6**



REMARQUE

Afin de permettre un fonctionnement parfait de l'appareil, il est important que les détecteurs soient correctement orientés. S'ils sont orientés vers le sol, par exemple, les irrégularités du sol seront signalées comme obstacles. S'ils sont trop orientés vers le haut, les obstacles existants risquent de ne pas être détectés.

Veuillez respecter les consignes suivantes lors du montage :

- La distance entre les détecteurs et le sol devrait être de 50 cm (fig. **3**).
- Pour une fonctionnalité optimale, l'angle du détecteur par rapport à la chaussée doit être de 90° (fig. **3**). L'angle ne doit pas être inférieur à 90°, sinon la chaussée sera reconnue en tant qu'obstacle par le détecteur.
- Faites attention au positionnement des détecteurs (fig. **4**).

5.2 Peindre les détecteurs

Voir fig. **2**



REMARQUE

Les détecteurs peuvent être peints. Le fabricant recommande de faire effectuer la peinture des détecteurs dans un garage spécialisé.

6 Montage de l'aide au stationnement

Voir fig. 7 jusqu'à fig. 11

Complément de la fig. 8



AVIS ! Risque d'endommagement de la peinture !

- La température ambiante ne doit pas être inférieure à 18 °C lors du découpage ou du perçage.
- Nous recommandons l'utilisation d'un outil de découpage.
- Veillez à ne pas incliner l'outil de découpage lors de l'utilisation.

- Ebavurez les alésages.
- Les alésages doivent être légèrement biseautés pour un meilleur positionnement en bas, sur la face intérieure du pare-chocs. Vous pouvez à présent y introduire le boîtier du détecteur en l'inclinant légèrement vers le bas.

Complément de la fig. 9



AVIS ! Risque de dysfonctionnement !

Faites attention à ce que les détecteurs soient bien orientés. Le dessus du détecteur est marqué d'un ▲.

7 Raccordement de l'aide au stationnement



REMARQUE

- **MWE 820,860** : Sur certains véhicules, le feu de recul ne fonctionne que lorsque le contact est mis. Dans ce cas, vous devez mettre le contact pour déterminer la ligne positive et la ligne de masse.
- **MWE 890** : une vitesse supérieure à 15 km/h entraîne la désactivation automatique des détecteurs si le signal de vitesse est connecté à l'électronique de commande.
La réactivation des détecteurs est effective dès que la vitesse est inférieure à 15 km/h.

MWE820, 860 : Vous trouvez le schéma de raccordement complet à la fig. **12**.

N°	Désignation
1	Electronique de commande
2	Feu de recul
3	Fil noir/bleu : raccordement au pôle positif connecté (+12 V)
4	Fil marron : raccordement à la masse
5	Fil rouge/gris : raccordement au raccord mute de la radio (en option)
6	Fil jaune du haut-parleur
7	Fil bleu du haut-parleur
8	Ecran (uniquement MWE860)
9	Détecteurs

MWE890 : Vous trouvez le schéma de raccordement complet à la fig. **13**.

N°	Désignation
1	Electronique de commande
2	Fil noir/bleu : raccordement au pôle positif connecté (+12 V)
3	Fil marron : raccordement à la masse
4	Fil jaune du haut-parleur
5	Fil bleu du haut-parleur
6	Fil rouge/gris : raccordement au raccord mute de la radio (en option)
7	Fil jaune/bleu : raccordement aux feux de recul (en option)
8	Fil noir/bleu : raccordement au signal de vitesse du tachymètre (en option)
9	Détecteurs

8 Zone de détection

Voir fig. 14

La zone de détection de l'aide au stationnement est répartie en quatre zones :

- **Zone 1 (uniquement MWE820, 860)**

Cette zone est la première zone limite. Ici, les objets de petite taille ou se réfléchissant mal ne sont pas toujours détectés.

- **Zone 2**

Dans cette zone, presque tous les objets sont signalés.

- **Domaine 3**

Cette zone signale presque tous les objets, mais certains peuvent se retrouver dans l'angle mort des détecteurs ou ils peuvent ne pas être détectés en raison de leur constitution ou de leur taille réduite.

- **Zone d'arrêt (zone 4)**

Les objets présents dans cette zone déclenchent un signal sonore permanent de l'aide au stationnement, signifiant « Stop ».

Cette zone signale presque tous les objets, mais certains peuvent se retrouver dans l'angle mort des détecteurs ou ils peuvent ne pas être détectés en raison de leur constitution ou de leur taille réduite.

Il est possible de supprimer l'affichage d'objets fixes, comme p. ex. un dispositif de remorquage.

9 Réglage du système

L'électronique de commande est munie d'une touche (fig. 15 1) pour le réglage des paramètres suivants.

9.1 Réglage de la sensibilité

- Mettez le contact.
- Passez en marche arrière (**uniquement MWE820, 860**).
- Appuyez sur la touche pendant moins de deux secondes afin de régler la sensibilité dans l'ordre suivant :
 - sensibilité basse : le haut-parleur émet un seul bip sonore
 - sensibilité moyenne (standard): le haut-parleur émet deux bips sonores
 - sensibilité élevée : le haut-parleur émet trois bips sonores

Plusieurs pressions de la touche permettent de modifier la sensibilité dans l'ordre ci-dessus.

9.2 **Suppression de l'affichage d'objets fixes (p. ex. dispositif de remorquage) (uniquement MWE820, 860)**



AVIS !

Assurez-vous avant le réglage qu'aucun objet supplémentaire ne se trouve dans la zone d'arrêt, p. ex. des personnes ou d'autres véhicules.

- Mettez le contact.
- Enclenchez la marche arrière.
- Appuyez sur la touche pendant plus de deux secondes mais moins de quatre secondes, jusqu'à ce que le haut-parleur émet un bref bip sonore.
- ✓ Le haut-parleur émet de façon répétitive de brefs bips sonores.
- ✓ Le système est en train d'initialiser l'objet fixe.
- Afin de terminer le réglage, débrayez la marche arrière après une durée d'au moins trois secondes.

9.3 **Rétablissement du réglage d'usine**

MWE820, 860

- Mettez le contact.
- Enclenchez la marche arrière.
- Appuyez sur la touche pendant plus de quatre secondes.
- ✓ Le haut-parleur émet de façon répétitive des bips sonores.
- Désaccouplez la marche arrière.
- Ré-enclenchez la marche arrière.
- ✓ Le système reprend les réglages d'usine.

MWE890**REMARQUE**

Si le signal de vitesse du tachymètre est coupé de l'électronique de commande, il faut restaurer les réglages d'usine pour que les détecteurs fonctionnent correctement.

- ▶ Mettez le contact.
- ▶ Appuyez plus de deux secondes sur la touche.
- ✓ Le haut-parleur émet de façon répétitive des bips sonores.
- ▶ Relâchez la touche.
- ✓ Le système reprend les réglages d'usine.

9.4 Restitution de l'affichage de l'écran (uniquement MWE860)

Si les obstacles s'affichent sur l'écran dans le mauvais sens, procédez comme suit :

- ▶ Branchez les connecteurs de raccordement des détecteurs aux prises du module de commande dans l'ordre inverse (1 → 4, 2 → 3, 3 → 2, 4 → 1).

10 Test de fonctionnement

Pour tester l'aide au stationnement, dirigez-vous p. ex. lentement vers un mur.

**AVIS !**

Lors de la mise en service initiale, vous devez agir avec prudence et vous familiariser avec les différentes fréquences d'émission des bips sonores (fig. 14).

11 Utilisation de l'aide au stationnement

L'activation des détecteurs **arrière** (MWE 820, 860) est automatique dès que vous passez en marche arrière, mettez le contact ou que le moteur tourne. Le haut-parleur émet un double signal.

L'activation des détecteurs **avant** (MWE 890) est automatique dès que vous mettez le contact et à une vitesse de 0 à 15 km/h.

Une option permet de connecter l'électronique de commande des détecteurs avant au feu de recul ou à un commutateur externe au lieu du signal de vitesse.



REMARQUE

Avant d'exploiter une de ces deux fonctions, appuyez deux secondes sur la touche d'électronique de commande (cf. chapitre « Rétablissement du réglage d'usine », page 37).

Les situations suivantes signifient l'activation des détecteurs :

- pendant les trente secondes suivant le démarrage du moteur ;
- en marche arrière, l'électronique de commande connectée aux feux de recul ;
- pendant les trente secondes suivant le désaccouplement de la marche arrière ;
- une touche externe (en accessoire) permet d'activer les détecteurs pendant trente secondes.

Un signal sonore retentit et se reproduit à intervalles réguliers dès qu'un obstacle se trouve dans la zone de détection.

Lorsque vous vous rapprochez de l'obstacle, la séquence des bips sonores et la fréquence des clignotements changent en fonction de la zone dans laquelle se trouve l'obstacle, vous indiquant ainsi la distance restante (fig. 14).

MWE 860 (en option MWE 890) : de plus en plus de voyants LED s'allument au fur et à mesure que l'obstacle s'approche.

**AVIS !**

Arrêtez le véhicule et contrôlez immédiatement la situation (si nécessaire, descendez du véhicule) si les événements suivants se produisent lors d'une manœuvre :

Lors d'une manœuvre, l'appareil indique d'abord un obstacle et la fréquence des bips sonores augmente comme prévu (par exemple, passage de la fréquence lente à la fréquence moyenne). Le signal sonore passe tout à coup à la fréquence d'émission lente ou n'indique plus aucun obstacle.

Ceci signifie que l'obstacle initial ne se trouve plus dans la zone de détection des détecteurs (en raison de la forme des détecteurs), mais qu'une collision reste possible.

12 Recherche des pannes

L'appareil ne semble pas fonctionner.

Le câble d'alimentation en tension (câble noir/bleu et marron) n'a pas de contact ou est mal raccordé.

- Vérifiez les connexions.

Les connecteurs mâles des détecteurs ne sont pas enfichés ou sont mal enfichés dans l'électronique de commande.

- Contrôlez les fiches et, si nécessaire, enfichez-les de manière à ce qu'elles soient enclenchées.

Une fois que le contact est mis, un long signal retentit (env. 3 s).

Un ou plusieurs détecteurs sont défectueux ou ne sont plus reliés à l'électronique de commande. Le haut-parleur indique quel détecteur est défectueux au moyen du nombre de bips sonores après le long signal : p. ex. trois bips sonores pour le détecteur 3.

- Contrôlez les fiches et, si nécessaire, enfichez-les de manière à ce qu'elles soient enclenchées.
- Remplacez le ou les détecteurs défectueux.

**AVIS !**

Le système ne fonctionne plus convenablement lorsqu'un ou plusieurs détecteurs sont défectueux.

Le signalement des obstacles par l'appareil est erroné.

Les causes suivantes peuvent entraîner de fausses alarmes :

- Par exemple saleté ou glace sur les détecteurs.
- Nettoyez les détecteurs.

- Les détecteurs sont mal montés.
- Adaptez la position ou la hauteur des détecteurs (fig. **3**).

- Les détecteurs sont en contact avec le châssis du véhicule.
- Séparez les détecteurs du châssis.

Des objets au niveau du véhicule (p. ex. roue de secours) entraînent de fausses alarmes.

- Réglez le système de manière que les objets fixes ne soient plus indiqués (voir chapitre « Réglage du système », page 36).

13 Garantie

Le délai légal de garantie s'applique. Si le produit s'avérait défectueux, veuillez vous adresser à la filiale du fabricant située dans votre pays (voir adresses au verso du présent manuel) ou à votre revendeur spécialisé.

Pour toute réparation ou autre prestation de garantie, veuillez joindre à l'appareil les documents suivants :

- composants défectueux,
- une copie de la facture avec la date d'achat,
- le motif de la réclamation ou une description du dysfonctionnement.


14 Recyclage

- Jetez les emballages dans les conteneurs de déchets recyclables prévus à cet effet.



Lorsque vous mettez votre produit définitivement hors service, informez-vous auprès du centre de recyclage le plus proche ou auprès de votre revendeur spécialisé sur les prescriptions relatives au retraitement des déchets.

15 Caractéristiques techniques

	MagicWatch		
	MWE820	MWE860	MWE890
N° d'article :	9600000353	9600000354	9600000355
Zone de détection :	env. 0,40 m à 1,6 m		env. 0,35 m à 0,75 m
Fréquence d'ultrasons :	40 kHz		
Tension d'alimentation :	10 – 24 volts		
Intensité absorbée :	120 mA maximum		
Température de fonctionnement :	-25 °C à +70 °C		
Certification :	 030117		



REMARQUE

Les détecteurs peuvent être peints. Le fabricant recommande de faire effectuer la peinture des détecteurs dans un garage spécialisé.

Lea detenidamente estas instrucciones antes de llevar a cabo la instalación y puesta en funcionamiento, y consérvelas en un lugar seguro. En caso de vender o entregar el producto a otra persona, entregue también estas instrucciones.

Índice

1	Indicaciones relativas a la seguridad y al montaje	44
2	Volumen de entrega	45
4	Uso adecuado	46
5	Indicaciones antes del montaje	47
6	Montaje del sistema de ayuda para aparcar	48
7	Conexión del sistema de ayuda para aparcar	48
8	Zona de detección	50
9	Ajuste del sistema	51
10	Comprobación del funcionamiento.	53
11	Uso del sistema de ayuda para aparcar	53
12	Localización de averías	54
13	Garantía legal	55
14	Gestión de residuos	55
15	Datos técnicos.	56

1 Indicaciones relativas a la seguridad y al montaje

Los siguientes textos únicamente complementan las figuras de la hoja adjunta. ¡Estos textos de por sí no constituyen unas instrucciones completas de montaje y uso! ¡Es absolutamente necesario tener en cuenta las figuras representadas en la hoja adjunta!

¡Tenga en cuenta las indicaciones de seguridad y la documentación suministrada por el fabricante y el taller del vehículo!

Cumpla siempre las normas legales vigentes.

El fabricante declina toda responsabilidad ante daños ocurridos en los siguientes casos:

- daños en el producto debido a influencias mecánicas y sobretensiones
- modificaciones realizadas en el producto sin el expreso consentimiento del fabricante
- utilización del aparato para fines distintos a los descritos en las instrucciones



¡ATENCIÓN!

- Fije bien las piezas del sistema de ayuda para aparcar montadas en el vehículo de modo que no se puedan soltar bajo ninguna circunstancia (frenadas bruscas, accidentes) ocasionando **heridas a los ocupantes del vehículo**.
- No monte en el área de acción de un airbag las piezas del sistema de ayuda para aparcar que se vayan a montar en el vehículo. De lo contrario, se correría peligro de sufrir lesiones si el airbag llegara a abrirse.
- El sistema de ayuda para aparcar sólo es una ayuda adicional, es decir, el aparato no le exime de tomar las debidas precauciones al maniobrar.



¡AVISO!

- En vehículos con luces LED de marcha atrás, el montaje del sistema de ayuda para aparcar puede provocar fallos.
- El sistema de ayuda para aparcar **no** está indicado para su montaje en el parachoques metálico.
- Las electrónicas de control no deben quedar expuestas a la humedad.
- La electrónica de control no se debe instalar al lado de ningún otro módulo de control.

- Los sensores no deben cubrir las luces de señalización.
- Al montar los sensores, asegúrese de que no haya accesorios montados en el vehículo en la zona de detección de los sensores. Se puede suprimir la indicación de objetos fijos como, por ejemplo, el enganche de tiro.
- Aplique un poco de grasa en los conectores de los sensores.

2 Volumen de entrega

Véase la fig. 1

N.º	Cantidad	Denominación	N.º de artículo
1	4	Sensores de ultrasonido	9101500043
2	1	Electrónica de control	
		MWE 820	9101500044
		MWE 860	9101500046
		MWE 890	9101500047
3	1	Altavoz	9101500051
4	1	Cable de conexión de la electrónica de control	
5	4	Cable de conexión de sensores	
6	1	Material de fijación	
7	1	Broca 21,5 mm	
8	1	Pantalla (solo MWE 860)	9101500045

3 Accesorios

Disponibles como accesorio (no incluidos en el volumen de entrega):

Denominación	N.º de artículo
Punzón de 22 mm	9101500024
Pulsador externo (solo MWE890)	9101500049
Pantalla (solo MWE890)	9101500045
Cable alargador de la pantalla, 5 m (solo MWE860, 890)	9101500053
Cable de conexión del sensor, 250 cm (solo MWE820, 860)	9101500048
Cable de conexión del sensor, 450 cm (solo MWE890)	9101500050

4 Uso adecuado

MagicWatch es un sistema de ayuda para aparcar cuyo funcionamiento está basado en ultrasonidos. Su función es vigilar durante la maniobra el espacio

- MWE820, 860: detrás del vehículo
- MWE890: delante del vehículo

Éste avisa acústica y visualmente de los obstáculos que detecta.

MagicWatch está diseñado para su montaje en turismos.

5 Indicaciones antes del montaje

5.1 Determinar el lugar de montaje de los sensores

Véanse las fig. **3** hasta fig. **6**



NOTA

La colocación correcta de los sensores es importante para que el aparato funcione sin problemas.

Si los sensores señalan hacia el suelo, cualquier irregularidad del mismo, por ejemplo, se indicará como obstáculo. Si señalan demasiado hacia arriba, no se detectarán los obstáculos existentes.

Para el montaje tenga en cuenta los siguientes puntos:

- La distancia de los sensores al suelo debería ser de 50 cm (fig. **3**).
- Para un funcionamiento óptimo, el ángulo del sensor respecto a la calzada debe ser de 90° (fig. **3**). En cualquier caso, no debe ser inferior a 90°, pues entonces el sensor reconocería la calzada como obstáculo.
- Preste atención a la colocación de los sensores (fig. **4**).

5.2 Pintar los sensores

Véase la fig. **2**



NOTA

Los sensores se pueden pintar. El fabricante recomienda que se encargue esta tarea a un taller especializado.

6 Montaje del sistema de ayuda para aparcar

Véanse las fig. 7 hasta fig. 11

Complementa la fig. 8



¡AVISO! ¡Peligro de desperfectos en la pintura!

- La temperatura ambiente no debe situarse por debajo de los 18 °C al punzonar o al taladrar.
- Recomendamos el uso de un punzón.
- Preste atención a no utilizar el punzón ladeado.

- Desbarbe las perforaciones.
- Incline ligeramente hacia abajo las perforaciones en el lado interior del parachoques para que encaje mejor. Ahora, la carcasa del sensor se puede insertar hacia abajo ligeramente inclinada.

Complementa la fig. 9



¡AVISO! ¡Peligro de perjudicar el funcionamiento!

Asegúrese de que los sensores estén correctamente alineados. La parte superior del sensor está marcada con una ▲.

7 Conexión del sistema de ayuda para aparcar



NOTA

- **MWE 820,860:** En algunos vehículos, la luz de marcha atrás funciona sólo con el encendido del vehículo conectado. En ese caso, deberá conectar el encendido para reconocer el cable positivo y el de masa.
- **MWE 890:** si se conectó la señal de velocidad a la electrónica de control, los sensores se desactivan automáticamente con una velocidad de aprox. 15 km/h. En cuanto la velocidad desciende de aprox. 15 km/h, volverán a activarse los sensores.

MWE 820, 860: En la fig. **12** encontrará el esquema de conexiones completo.

N.º	Denominación
1	Electrónica de control
2	Luz de marcha atrás
3	Hilo conductor negro/azul: para conectar al polo positivo conectado (+12 V)
4	Hilo conductor marrón: para conectar a masa
5	Hilo conductor rojo/gris: para conectar a la conexión Mute de la radio (opcional)
6	Hilo conductor amarillo del altavoz
7	Hilo conductor azul del altavoz
8	Pantalla (solo MWE860)
9	Sensores

MWE890: En la fig. **13** encontrará el esquema de conexiones completo.

N.º	Denominación
1	Electrónica de control
2	Hilo conductor negro/azul: para conectar al polo positivo conectado (+12 V)
3	Hilo conductor marrón: para conectar a masa
4	Hilo conductor amarillo del altavoz
5	Hilo conductor azul del altavoz
6	Hilo conductor rojo/gris: para conectar a la conexión Mute de la radio (opcional)
7	Hilo conductor amarillo/azul: conexión a la luz de marcha atrás (opcional)
8	Hilo conductor negro/amarillo: conexión a la señal de velocidad del velocímetro (opcional)
9	Sensores

8 Zona de detección

Véase la fig. 14

El rango de detección del sistema de ayuda para aparcar está dividido en cuatro zonas:

- **Zona 1 (solo MWE820, 860)**

Se trata de la primera zona límite. Dependiendo de las circunstancias, en esta zona no se detectan obstáculos pequeños o con escasa capacidad de reflexión.

- **Zona 2**

En esta zona se muestran casi todos los objetos.

- **Zona 3**

En esta zona se muestran casi todos los objetos, aunque puede ocurrir que alguno se encuentre en el radio del ángulo muerto de los sensores o que no sean detectados debido a su reducido tamaño o a sus características físicas.

- **Zona de parada (4)**

Los objetos que se encuentran en esta zona provocan que el sistema de ayuda para aparcar indique "parada" con una señal acústica constante.

En esta zona se muestran casi todos los objetos, aunque puede ocurrir que alguno se encuentre en el radio del ángulo muerto de los sensores o que no sean detectados debido a su reducido tamaño o a sus características físicas.

Se puede suprimir la indicación de objetos fijos como, por ejemplo, el enganche de tiro.

9 Ajuste del sistema

La electrónica de control cuenta con un pulsador (fig. 15 1) para ajustar los siguientes parámetros.

9.1 Ajustar la sensibilidad

- Conecte el encendido.
- Engrane la marcha atrás (**solo MWE820, 860**).
- Presione durante menos de dos segundos el pulsador para ajustar la sensibilidad en el siguiente orden:
 - Sensibilidad baja: el altavoz emite un pitido
 - Sensibilidad media (estándar): el altavoz emite dos pitidos
 - Sensibilidad alta: el altavoz emite tres pitidos

Presionando repetidamente el pulsador se modifica la sensibilidad en el orden indicado más arriba.

9.2 Supresión de la indicación de objetos fijos (por ejemplo, engancho de tiro) (solo MWE820, 860)



¡AVISO!

Antes de realizar el ajuste asegúrese de que no se encuentran objetos adicionales en la zona de parada (p. ej. personas u otros vehículos).

- Conecte el encendido.
- Engrane la marcha atrás.
- Presione el pulsador durante más de dos segundos pero menos de cuatro segundos, hasta que el altavoz emita brevemente un pitido.
- ✓ El altavoz emite pitidos breves de forma repetida.
- ✓ El sistema inicializa el objeto fijo.
- Para finalizar el ajuste, desacople la marcha atrás una vez transcurrido un periodo de funcionamiento de tres segundos.

9.3 Restablecer el ajuste de fábrica

MWE820, 860

- Conecte el encendido.
- Engrane la marcha atrás.
- Presione el pulsador durante más de cuatro segundos.
- ✓ El altavoz emite pitidos de forma repetida.
- Desengrane la marcha atrás.
- Vuelva a engranar la marcha atrás.
- ✓ El sistema ha vuelto a los ajustes de fábrica.

MWE890



NOTA

Si se ha separado la señal de velocidad del velocímetro de la electrónica de control, deberá reubicarse el ajuste de fábrica para garantizar el funcionamiento adecuado de los sensores.

- Conecte el encendido.
- Presione el pulsador durante más de dos segundos.
- ✓ El altavoz emite pitidos de forma repetida.
- Suelte el pulsador.
- ✓ El sistema ha vuelto a los ajustes de fábrica.

9.4 Invertir la imagen de las indicaciones de la pantalla (solo MWE860)

Si los obstáculos se muestran invertidos lateralmente en la pantalla, proceda de la siguiente forma:

- Enchufe en orden inverso la clavija de conexión de los sensores en el conector situado en el módulo de control (1 → 4, 2 → 3, 3 → 2, 4 → 1).

10 Comprobación del funcionamiento

Para probar el sistema de ayuda para aparcar, desplácese despacio hacia, por ejemplo, una pared.



¡AVISO!

Durante la primera puesta en funcionamiento proceda con sumo cuidado y familiarícese con las distintas secuencias de señales acústicas (fig. 14).

11 Uso del sistema de ayuda para aparcar

Los sensores **traseros** (MWE820, 860) se activan automáticamente al engranar la marcha atrás si se ha conectado el encendido o si el motor está en marcha. El altavoz emite una alarma doble.

Los sensores **delanteros** (MWE890) se activan automáticamente en cuanto se conecta el encendido y la velocidad de desplazamiento se encuentra entre 0 y aprox. 15 km/h.

De manera opcional, la electrónica de control de los sensores delanteros puede unirse, en vez de a la señal de velocidad, a la luz de marcha atrás o conectarse a un interruptor externo.



NOTA

Antes de usar una de estas funciones, mantenga presionado el pulsador en la electrónica de control durante 2 segundos (véase capítulo "Restablecer el ajuste de fábrica" en la página 52).

Los sensores están activos en los siguientes casos:

- Unos 30 segundos después de arrancar el motor
- Si la marcha atrás está engranada y la electrónica de control está conectada a la luz de marcha atrás
- Unos 30 segundos después de desengranar la marcha atrás
- Con un pulsador externo (accesorio) pueden activarse los sensores durante un intervalo de unos 30 segundos.

Cuando se detecta un obstáculo en la zona de detección, suena una señal que se repite a intervalos constantes.

Al acercarse por detrás, dependiendo de la zona en la que se encuentre el obstáculo en ese momento, la secuencia de señales acústicas y la frecuencia de parpadeo cambiará indicando de esa forma la distancia (fig. 14).

MWE 860 (opcional MWE 890): Cuantos más LEDs se iluminen en la pantalla, más cerca se encontrará el obstáculo.



¡AVISO!

Detenga el vehículo inmediatamente y compruebe la situación (salga de vehículo, si es necesario), si al maniobrar ocurre lo siguiente:

Durante la maniobra, el aparato indicará primero un obstáculo y la frecuencia de la señal se vuelve cada vez más rápida (por ejemplo, cambio de la frecuencia lenta a la media). De repente, la señal cambia a secuencia lenta o deja de indicar un obstáculo.

Esto significa que el obstáculo original ya no se encuentra dentro de la zona de detección de los sensores (según el modelo), pero todavía se puede chocar con él.

12 Localización de averías

El aparato no funciona.

El cable de alimentación de tensión (línea negra/azul y marrón) no tiene ningún contacto o está mal conectado.

- Compruebe las conexiones.

Las clavijas de los sensores no están conectadas a la electrónica de control o están mal conectadas.

- Compruebe las clavijas y conéctelas de forma que encajen.

Una vez conectado el encendido, suena un tono prolongado (unos 3 s).

Uno o más sensores están averiados o ya no están conectados a la electrónica de control. El altavoz indica el sensor averiado mediante el número de pitidos emitidos después del tono prolongado: por ejemplo, tres pitidos para el sensor 3.

- Compruebe las clavijas y conéctelas de forma que encajen.
- Cambie los sensores averiados.



¡AVISO!

El sistema no funciona de forma fiable si uno o más sensores están averiados.

El aparato comunica obstáculos incorrectamente.

Las siguientes causas pueden provocar falsas alarmas:

- Por ejemplo, suciedad o helada en los sensores.
- Limpie los sensores.

- Los sensores están mal montados.
- Ajuste adecuadamente la orientación o la altura de los sensores (fig. **3**).

- Los sensores están en contacto con el chasis del vehículo.
- Separe los sensores del chasis.

Los objetos del vehículo (por ejemplo, rueda de repuesto) provocan falsas alarmas.

- Ajuste el sistema de forma que no se indiquen más los objetos fijos (véase capítulo "Ajuste del sistema" en la página 51).

13 Garantía legal

Rige el plazo de garantía legal. Si el producto presenta algún defecto, diríjase a la sucursal del fabricante de su país (ver direcciones en el dorso de estas instrucciones) o a su establecimiento especializado.

Para la tramitación de la reparación y de la garantía debe enviar lo siguiente:

- componentes defectuosos,
- una copia de la factura con fecha de compra,
- el motivo de la reclamación o una descripción de la avería.

14 Gestión de residuos

- Deseche el material de embalaje en el contenedor de reciclaje correspondiente.



Quando vaya a desechar definitivamente el producto, infórmese en el centro de reciclaje más cercano o en un comercio especializado sobre las normas pertinentes de eliminación de materiales.

15 Datos técnicos

	MagicWatch		
	MWE820	MWE860	MWE890
N.º de artículo:	9600000353	9600000354	9600000355
Zona de detección:	aprox. entre 0,40 m y 1,6 m		aprox. entre 0,35 m y 0,75 m
Frecuencia ultrasónica:	40 kHz		
Tensión de alimentación:	10 – 24 voltios		
Consumo de corriente:	máximo 120 mA		
Temperatura de funcionamiento:	-25 °C hasta + 70 °C		
Homologación:			



NOTA

Los sensores pueden pintarse. El fabricante recomienda que se encargue esta tarea a un taller especializado.

Por favor, leia atentamente este manual antes da montagem e colocação em funcionamento do aparelho e guarde-o em local seguro. Em caso de transmissão do produto, entregue o manual ao novo utilizador.

Índice

1	Indicações de segurança e de montagem	58
2	Material fornecido	59
4	Utilização adequada	60
5	Indicações prévias à montagem.	61
6	Montar o sistema de ajuda de estacionamento.	62
7	Ligar o sistema de ajuda de estacionamento.	62
8	Área de deteção	64
9	Configurar o sistema	65
10	Testar o funcionamento	67
11	Utilizar o sistema de ajuda de estacionamento	67
12	Resolução de problemas	68
13	Garantia	69
14	Eliminação	70
15	Dados técnicos	70

1 Indicações de segurança e de montagem

Os seguintes textos apenas complementam as figuras no suplemento. Em separado, não constituem instruções de montagem e operação completas! Tenha impreterivelmente em consideração as figuras no suplemento!

Respeite as indicação de segurança e as condições estipuladas na literatura do fabricante do veículo e das associações profissionais!

Preste atenção às normas legais em vigor.

O fabricante não se responsabiliza por danos nos seguintes casos:

- Danos no produto resultantes de influências mecânicas e sobretensões
- Alterações ao produto sem autorização expressa do fabricante
- Utilização para outras finalidades que não as descritas no manual de instruções



PRECAUÇÃO!

- Fixe as peças do sistema de ajuda de estacionamento montadas no veículo de forma a que não se soltem em circunstância alguma (travagem busca, acidente de viação) o que poderia causar **ferimentos aos ocupantes do veículo**.
- Não fixe as peças do sistema de ajuda de estacionamento montadas no veículo na área de atuação de um airbag. Caso contrário, podem ser provocados ferimentos se o airbag for ativado.
- O sistema de ajuda de estacionamento deve prestar-lhe um apoio adicional, ou seja, o aparelho não o dispensa de exercer especial prudência ao realizar manobras.



NOTA!

- Em veículos com faróis traseiros LED, a montagem do sistema de ajuda de estacionamento pode provocar falhas.
- A ajuda de estacionamento **não** é adequada para montagem em para-choques de metal.
- As eletrónicas de controlo não podem ser expostas a humidade.
- A eletrónica de controlo não pode ser instalada na proximidade de outros módulos de controlo.
- Os sensores não podem cobrir nenhuma lâmpada de sinalização.

- Durante a montagem dos sensores, preste atenção para que nenhum objeto montado no veículo se encontre na área de deteção dos sensores. A indicação de objetos fixos, como por exemplo um dispositivo de acoplamento de reboque, pode ser ocultada.
- Coloque um pouco de massa lubrificante nos encaixes dos sensores.

2 Material fornecido

Ver fig. **1**

N.º	Quantidade	Designação	N.º de artigo
1	4	Sensores ultrassónicos	9101500043
2	1	Eletrónica de controlo	
		MWE 820	9101500044
		MWE 860	9101500046
		MWE 890	9101500047
3	1	Altifalante	9101500051
4	1	Cabo de conexão da eletrónica de controlo	
5	4	Cabo de conexão dos sensores	
6	1	Material de fixação	
7	1	Broca 21,5 mm	
8	1	Monitor (apenas MWE 860)	9101500045

3 Acessórios

Disponível como acessório (não consta do material fornecido):

Designação	N.º de artigo
Ferramenta de punção 22 mm	9101500024
Botão externo (apenas MWE890)	9101500049
Monitor (apenas MWE890)	9101500045
Cabo de extensão para monitor, 5 m (apenas MWE860, 890)	9101500053
Cabo de conexão para sensor 250 cm (apenas MWE820, 860)	9101500048
Cabo de conexão para sensor, 450 cm (apenas MWE890)	9101500050

4 Utilização adequada

O MagicWatch é um sistema de ajuda de estacionamento baseado em ultrassom. Este monitoriza o espaço durante a realização de manobras

- MWE820, 860: atrás do veículo
- MWE890: à frente do veículo

Alerta por meios visuais e acústicos para a existência de obstáculos detetados pelo aparelho.

O MagicWatch foi concebido para a montagem em veículos.

5 Indicações prévias à montagem

5.1 Determinar o local de montagem dos sensores

Ver fig. **3** até fig. **6**



OBSERVAÇÃO

É importante para o funcionamento adequado do aparelho que os sensores estejam alinhados corretamente.

Se estes apontarem para o chão, por exemplo as irregularidades do solo serão indicadas como obstáculo. Se apontarem demasiado para cima, os obstáculos existentes não serão reconhecidos.

Durante a montagem, respeite o seguinte:

- A distância dos sensores em relação ao solo deverá ser de 50 cm (fig. **3**).
- Para um funcionamento ideal, o ângulo dos sensores em relação à faixa de rodagem deve ser 90° (fig. **3**). O ângulo não pode ser inferior a 90°, caso contrário a faixa de rodagem será identificada pelo sensor como sendo um obstáculo.
- Tenha em atenção o posicionamento dos sensores (fig. **4**).

5.2 Pintar os sensores

Ver fig. **2**



OBSERVAÇÃO

Os sensores podem ser pintados. O fabricante recomenda que a pintura dos sensores seja realizada por uma oficina.

6 Montar o sistema de ajuda de estacionamento

Ver fig. **7** até fig. **11**

Complemento para fig. **3**



NOTA! Perigo de danos na pintura!

- A temperatura ambiente não se pode situar a baixo de 18 °C durante os trabalhos de punção e de perfuração.
- Recomendamos a utilização da ferramenta de punção.
- Certifique-se de que não inclina a ferramenta de punção durante a sua utilização.

- Remova as rebarbas dos furos.
- Corte os orifícios em bisel para um melhor ajuste na parte inferior no interior do para-choques. A caixa do sensor pode agora ser facilmente empurrada para baixo de modo inclinado.

Complemento para fig. **9**



NOTA! Perigo de falha de funcionamento!

Tenha em conta que os sensores devem estar numa determinada posição. A parte de cima do sensor está marcada com um ▲.

7 Ligar o sistema de ajuda de estacionamento



OBSERVAÇÃO

- **MWE 820, 860:** em certo tipo de veículos os faróis de marcha-atrás apenas funcionam com a ignição ligada. Neste caso, deverá ligar a ignição para determinar o cabo positivo e o cabo terra.
- **MWE 890:** se o sinal de velocidade tiver sido ligado à eletrónica de controlo, os sensores são automaticamente desativados a uma velocidade acima dos 15 km/h. Logo que a velocidade cair abaixo dos 15 km/h, os sensores são ativados de novo.

MWE 820, 860: Para ver o esquema de ligações completo, consulte fig. **12**.

N.º	Designação
1	Eletrónica de controlo
2	Faróis de marcha atrás
3	Fio preto/azul: conexão ao positivo ligado (+12 V)
4	Fio castanho: conexão à terra
5	Fio vermelho/cinzento: conexão à conexão mute do rádio (opcional)
6	Fio amarelo do altifalante
7	Fio azul do altifalante
8	Monitor (apenas MWE 860)
9	Sensores

MWE 890: para ver o esquema de ligações completo, consulte fig. **13**.

N.º	Designação
1	Eletrónica de controlo
2	Fio preto/azul: conexão ao positivo ligado (+12 V)
3	Fio castanho: conexão à terra
4	Fio amarelo do altifalante
5	Fio azul do altifalante
6	Fio vermelho/cinzento: conexão à conexão mute do rádio (opcional)
7	Fio preto/azul: conexão aos faróis de marcha-atrás (opcional)
8	Fio preto/amarelo: conexão ao sinal de velocidade do tacómetro (opcional)
9	Sensores

8 Área de deteção

Ver fig. 14

A área de deteção do sistema de ajuda de estacionamento está dividida em quatro zonas:

- **zona 1 (apenas MWE820, 860)**

Esta zona é a primeira área limítrofe. Aqui não são detetados objetos pequenos ou pouco refletores em algumas circunstâncias.

- **Zona 2**

Nesta zona são assinalados quase todos os objetos.

- **Zona 3**

Nesta zona são assinalados quase todos os objetos, mas é possível que alguns objetos fiquem nos ângulos mortos dos sensores ou que, devido à sua natureza ou pequenas dimensões, não sejam detetados.

- **Zona de paragem (4)**

Os objetos nesta zona fazem com que o sistema de auxílio ao estacionamento emita um sinal sonoro contínuo indicando "parar".

Nesta zona são assinalados quase todos os objetos, mas é possível que alguns objetos fiquem nos ângulos mortos dos sensores ou que, devido à sua natureza ou pequenas dimensões, não sejam detetados.

A indicação de objetos fixos, como por exemplo um dispositivo de acoplamento de reboque, pode ser ocultada.

9 Configurar o sistema

A eletrónica de controlo possui um botão (fig. 15 1) para ajustar os seguintes parâmetros.

9.1 Ajustar sensibilidade

- ▶ Ligue a ignição.
- ▶ Engate a marcha atrás (**apenas MWE820, 860**).
- ▶ Prima o botão por menos de dois segundos de modo a ajustar a sensibilidade pela seguinte ordem:
 - sensibilidade baixa: o altifalante emite um sinal sonoro
 - sensibilidade média (padrão): o altifalante emite dois sinais sonoros
 - sensibilidade elevada: o altifalante emite três sinais sonoros

Ao premir repetidamente o botão, a sensibilidade é alterada pela ordem acima indicada.

9.2 Suprimir indicação de objetos fixos (por ex. dispositivo de acoplamento de reboque) (apenas MWE820, 860)



NOTA!

Antes de efetuar os ajustes certifique-se de que não se encontram outros objetos na zona de paragem, por ex. pessoas ou outros veículos.

- ▶ Ligue a ignição.
- ▶ Engate a marcha-atrás.
- ▶ Prima o botão por mais de dois segundos (mas não mais do que quatro segundos) até o altifalante emitir um breve sinal sonoro.
- ✓ O altifalante emite breves sinais sonoros repetidamente.
- ✓ O sistema inicializa o objeto fixo.
- ▶ Para finalizar os ajustes desengate a marcha atrás após um tempo de funcionamento de, pelo menos, três segundos.

9.3 Restaurar a configuração de fábrica

MWE820, 860

- ▶ Ligue a ignição.
- ▶ Engate a marcha-atrás.
- ▶ Prima o botão durante mais do que quatro segundos.
- ✓ O altifalante emite sinais sonoros repetidamente.
- ▶ Desengate a marcha atrás.
- ▶ Volte a engatar a marcha-atrás.
- ✓ O sistema foi reposto para as configurações de fábrica.

MWE890



OBSERVAÇÃO

Se o sinal de velocidade do tacómetro tiver sido desligado da eletrónica de controlo é necessário repor as configurações de fábrica de modo a garantir o correto funcionamento dos sensores.

- ▶ Ligue a ignição.
- ▶ Prima o botão durante mais do que dois segundos.
- ✓ O altifalante emite sinais sonoros repetidamente.
- ▶ Volte a largar o botão.
- ✓ O sistema foi reposto para as configurações de fábrica.

9.4 Espelhar imagem no monitor (apenas MWE860)

Caso os obstáculos sejam apresentados de modo invertido proceda da seguinte forma:

- ▶ Ligue as fichas de conexão dos sensores pela ordem inversa às tomadas no módulo de controlo (1 → 4, 2 → 3, 3 → 2, 4 → 1).

10 Testar o funcionamento

Para testar o sistema de ajuda de estacionamento, conduza lentamente em direção a uma parede.



NOTA!

Durante a primeira colocação em funcionamento, proceda com extremo cuidado e familiarize-se com as diferentes sequências de sinais sonoros (fig. 14).

11 Utilizar o sistema de ajuda de estacionamento

Os sensores **traseiros** (MWE820, 860) são ativados automaticamente ao engatar a marcha-atrás, se a ignição estiver ligada e o motor estiver a trabalhar. O altifalante emite um sinal sonoro duplo.

Os sensores **dianteiros** (MWE890) são ativados automaticamente assim que a ignição for ligada e a velocidade de condução se encontrar entre os 0 e os 15 km/h.

Como opção, a eletrónica de controlo dos sensores dianteiros também pode ser ligada aos faróis de marcha-atrás ou a um interruptor externo, em vez de ser ligada ao sinal de velocidade.



OBSERVAÇÃO

Antes de utilizar uma destas duas funções, prima o botão na eletrónica de controlo por 2 segundos (ver capítulo “Restaurar a configuração de fábrica” na página 66).

Os sensores estão ativos nos seguintes casos:

- aprox. durante 30 segundos após arranque do motor
- quando a marcha atrás está engatada e a eletrónica de controlo está ligada aos faróis de marcha-atrás.
- aprox. durante 30 segundos após desengatar a marcha atrás
- Através de um interruptor externo (acessório) é possível ligar ativamente os sensores durante aprox. 30 segundos.

Assim que um obstáculo é detetado na área de deteção, é emitido um sinal sonoro que se repete de forma regular.

Ao recuar, dependendo da zona em que o obstáculo se encontra, a sequência de sinais sonoros e a frequência de intermitência luminosa são alteradas para indicar a distância (fig. 14).

MWE 860 (opcional MWE 890): Quanto mais perto estiver o obstáculo, mais LED se acendem no monitor.



NOTA!

Pare o veículo imediatamente e verifique a situação (se necessário, saia do veículo) se, ao realizar manobras, acontecer o seguinte: o aparelho indica primeiro um obstáculo e a sequência de sinais sonoros torna-se mais rápida, como é normal (por exemplo, passagem de uma sequência de sinais sonoros lenta para uma média). De repente, a sequência de sinais sonoros fica lenta ou deixa de ser indicado um obstáculo.

Isto significa que o obstáculo original saiu da área de deteção dos sensores (conforme estiverem instalados) mas que ainda pode ser atingido.

12 Resolução de problemas

O aparelho não funciona.

O cabo de alimentação de tensão (cabo preto/azul e castanho) não tem contacto ou está incorretamente ligado.

- Verifique as ligações.

Os conectores dos sensores não estão inseridos ou não estão inseridos corretamente na eletrónica de controlo.

- Verifique os conectores e insira-os, se necessário, até que encaixem.

Após a ligação da ignição ouve-se um som demorado (aprox. 3 seg.)

Um ou mais sensores possuem uma avaria ou já não estão ligados à eletrónica de controlo. O altifalante indica o sensor danificado através do número de sinais sonoros emitidos após o som mais longo: por exemplo três sinais sonoros para o sensor 3.

- Verifique os conectores e insira-os, se necessário, até que encaixem.
- Substitua o sensor ou os sensores com avaria.

**NOTA!**

O sistema deixa de funcionar de modo fiável se um ou mais sensores estiverem danificados.

O aparelho identifica obstáculos incorretamente.

As seguintes situações podem provocar avisos incorretos:

- por exemplo, sujidade ou geada nos sensores
- Limpe os sensores.

- Os sensores foram montados incorretamente.
- Ajuste o alinhamento ou a altura dos sensores (fig. **3**).

- Os sensores estão em contacto com o chassis do veículo.
- Separe os sensores do chassis.

Objetos no veículo (por exemplo pneu sobressalente) provocam avisos incorretos.

- Ajuste o sistema de modo a que os objetos fixos deixem de ser exibidos (ver capítulo “Configurar o sistema” na página 65).

13 Garantia

É válido o prazo de garantia legal. Se o produto estiver com defeito, por favor, dirija-se à representação do fabricante no seu país (endereços, ver verso do manual) ou ao seu revendedor.

Para fins de reparação ou de garantia, terá de enviar os seguintes documentos:

- componentes com defeito,
- uma cópia da fatura com a data de aquisição,
- um motivo de reclamação ou uma descrição da falha.

14 Eliminação

- Sempre que possível, coloque o material de embalagem no respectivo contentor de reciclagem.



Para colocar o aparelho definitivamente fora de funcionamento, por favor, informe-se junto do centro de reciclagem mais próximo ou revendedor sobre as disposições de eliminação aplicáveis.

15 Dados técnicos

	MagicWatch		
	MWE820	MWE860	MWE890
N.º de artigo:	9600000353	9600000354	9600000355
Área de deteção:	aprox. 0,40 m a 1,6 m		aprox. 0,35 m a 0,75 m
Frequência de ultrassom:	40 kHz		
Tensão de alimentação:	10 – 24 V		
Consumo de corrente:	no máximo 120 mA		
Temperatura de funcionamento:	–25 °C a +70 °C		
Certificação:			



OBSERVAÇÃO

Os sensores podem ser pintados. O fabricante recomenda que a pintura dos sensores seja realizada por uma oficina.

Prima di effettuare il montaggio e la messa in funzione leggere accuratamente questo manuale di istruzioni, conservarlo e in caso di trasmissione del prodotto, consegnarlo all'utente successivo.

Indice

1	Indicazioni di sicurezza e di montaggio	72
2	Dotazione	73
4	Uso conforme alla destinazione	74
5	Indicazioni prima del montaggio	75
6	Montaggio dell'ausilio per il parcheggio	76
7	Collegamento dell'ausilio per il parcheggio	76
8	Campo di rilevamento	78
9	Impostazione del sistema	78
10	Controllo del funzionamento	80
11	Utilizzo dell'ausilio per il parcheggio	81
12	Ricerca dei guasti	82
13	Garanzia	83
14	Smaltimento	83
15	Specifiche tecniche	84

1 Indicazioni di sicurezza e di montaggio

Le seguenti istruzioni costituiscono unicamente un'integrazione alle figure allegate. Da sole non sono da considerarsi delle istruzioni per l'uso e il montaggio complete! Osservare sempre le figure allegate!

Osservare le indicazioni di sicurezza e le direttive previste dal produttore del veicolo e dagli specialisti del settore!

Attenersi alle prescrizioni di legge vigenti.

Il produttore non si assume nessuna responsabilità per danni nei seguenti casi:

- danni al prodotto dovuti a influenze meccaniche o a sovratensioni
- modifiche al prodotto senza esplicita autorizzazione del produttore
- impiego per altri fini rispetto a quelli descritti nel manuale di istruzioni



ATTENZIONE!

- Fissare i componenti dell'ausilio per il parcheggio montati nel veicolo in modo che non possano staccarsi, (ad es. in caso di frenate brusche o incidenti) e non possano portare al **ferimento dei passeggeri**.
- Non montare i componenti dell'ausilio per il parcheggio montati nel veicolo nella zona di attivazione dell'airbag. Altrimenti sussiste pericolo di ferimento se l'airbag scatta.
- L'ausilio per il parcheggio costituisce un aiuto ulteriore per il conducente, questo significa che l'uso dell'apparecchio non esula il conducente dal dovere di guidare con particolare prudenza durante l'esecuzione delle manovre.



AVVISO!

- In caso di veicoli con luci posteriori a LED, l'installazione dell'ausilio per il parcheggio può causare disturbi.
- L'ausilio per il parcheggio **non** è adatto al montaggio su paraurti di metallo.
- I sistemi di controllo elettronico non devono essere esposti all'umidità.
- Il sistema di controllo elettronico non deve essere installato nelle immediate vicinanze di altri moduli di controllo.
- I sensori non devono coprire le lampade di segnalazione.

- Durante il montaggio dei sensori, assicurarsi che gli oggetti fissati al veicolo non si trovino nel campo di rilevamento dei sensori. L'indicazione di oggetti fissi come ad es. i dispositivi di traino può venire soppressa.
- Inserire un leggero strato di grasso nei collegamenti a spina dei sensori.

2 Dotazione

Vedi fig. **1**

N.	Quantità	Denominazione	N. articolo
1	4	Sensori a ultrasuoni	9101500043
2	1	Sistema di controllo elettronico	
		MWE820	9101500044
		MWE860	9101500046
		MWE890	9101500047
3	1	Altoparlante	9101500051
4	1	Cavo di collegamento del sistema di controllo elettronico	
5	4	Sensori per il cavo di collegamento	
6	1	Materiale di fissaggio	
7	1	Punta da trapano cava 21,5 mm	
8	1	Display (solo MWE860)	9101500045

3 Accessori

Disponibili come accessori (non in dotazione):

Denominazione	N. articolo
Utensile per punzonatura 22 mm	9101500024
Pulsante esterno (solo MWE890)	9101500049
Display (solo MWE890)	9101500045
Cavo di prolunga display, 5 m (solo MWE860, 890)	9101500053
Cavo di collegamento sensore, 250 cm (solo MWE820, 860)	9101500048
Cavo di collegamento sensore, 450 cm (solo MWE890)	9101500050

4 Uso conforme alla destinazione

MagicWatch è un ausilio per il parcheggio a ultrasuoni. Durante l'esecuzione delle manovre monitora lo spazio a disposizione

- MWE820, 860: dietro il veicolo
- MWE890: davanti al veicolo

Indica tramite segnali acustici e ottici la presenza di ostacoli che sono individuati dal dispositivo.

MagicWatch è realizzato per essere montato su autovetture.

5 Indicazioni prima del montaggio

5.1 Scelta del luogo di installazione per i sensori

Vedi da fig. **3**, a fig. **6**



NOTA

Di estrema importanza per un funzionamento perfetto dell'apparecchio è il corretto allineamento dei sensori.

Se questi sono direzionati verso il basso, vengono indicati come ostacoli ad es. la pplanarità del terreno. Se sono direzionati troppo verso l'alto gli ostacoli presenti non verranno riconosciuti.

Osservare le seguenti indicazioni per il montaggio:

- La distanza dei sensori dal suolo deve essere 50 cm (fig. **3**).
- Per un funzionamento ottimale l'angolazione del sensore rispetto alla carreggiata deve essere di 90° (fig. **3**). L'angolazione non deve essere inferiore a 90°, altrimenti la carreggiata viene riconosciuta dal sensore come ostacolo.
- Fare attenzione al posizionamento dei sensori (fig. **4**).

5.2 Laccatura dei sensori

Vedi fig. **2**



NOTA

I sensori possono essere verniciati. Il produttore raccomanda di fare verniciare i sensori da un'officina specializzata.

6 Montaggio dell'ausilio per il parcheggio

Vedi da fig. **7**, a fig. **11**

Integrazione a fig. **8**



AVVISO! Rischio di danni alla vernice!

- Durante la punzonatura o l'esecuzione di fori la temperatura ambiente non deve essere inferiore a 18 °C.
- Consigliamo l'utilizzo dell'utensile standard.
- Fare attenzione al fatto che l'utensile per punzonatura non venga angolato.

- Sbavare i fori.
- Smussare leggermente la parte inferiore dei fori sul lato interno del paraurti per permettere un migliore adattamento. È possibile ora inserire l'alloggiamento dei sensori inclinandolo leggermente verso il basso.

Integrazione a fig. **9**



AVVISO! Pericolo di disturbi di funzionamento!

Rispettare il giusto allineamento dei sensori. Il lato superiore del sensore è contrassegnato con una ▲.

7 Collegamento dell'ausilio per il parcheggio



NOTA

- **MWE 820, 860:** In alcuni veicoli il proiettore di retromarcia funziona solamente se l'accensione è inserita. In questo caso è necessario inserire l'accensione per determinare il conduttore positivo e il conduttore di massa.
- **MWE 890:** se il segnale del regolatore di velocità è stato collegato al sistema di controllo elettronico, ad una velocità superiore a ca. 15 km/h i sensori vengono automaticamente disattivati. Non appena la velocità scende al disotto di ca. 15 km/h i sensori vengono nuovamente attivati.

MWE 820, 860: Per lo schema di allacciamento generale vedere la fig. **12**.

N.	Denominazione
1	Sistema di controllo elettronico
2	Proiettore di retromarcia
3	Filo nero/blu: collegamento al polo positivo inserito (+12 V)
4	Filo marrone: collegamento a massa
5	Filo rosso/grigio: allacciamento al collegamento Mute della radio (opzione)
6	Filo giallo dell'altoparlante
7	Filo blu dell'altoparlante
8	Display (solo MWE860)
9	Sensori

MWE 890: Per lo schema di allacciamento generale vedere la fig. **13**.

N.	Denominazione
1	Sistema di controllo elettronico
2	Filo nero/blu: collegamento al polo positivo inserito (+12 V)
3	Filo marrone: collegamento a massa
4	Filo giallo dell'altoparlante
5	Filo blu dell'altoparlante
6	Filo rosso/grigio: allacciamento al collegamento Mute della radio (opzione)
7	Filo giallo/blu: Collegamento al proiettore di retromarcia (opzionale)
8	Filo nero/giallo: collegamento al segnale di velocità del tachimetro (opzionale)
9	Sensori

8 Campo di rilevamento

Vedi fig. 14

Il campo di rilevamento dell'ausilio per il parcheggio è suddiviso in quattro zone:

- **Zona 1 (solo MWE820, 860)**

Questa zona rappresenta il primo campo limite. In questa zona non vengono rilevati gli oggetti di piccole dimensioni o che eventualmente si riflettono male.

- **Zona 2**

In questa zona vengono visualizzati quasi tutti gli oggetti.

- **Zona 3**

In questa zona vengono visualizzati quasi tutti gli oggetti, tuttavia taluni oggetti possono capitare nell'angolo morto dei sensori oppure non essere rilevati a causa delle proprie caratteristiche o modeste dimensioni.

- **Zona di arresto (4)**

La presenza di oggetti in questa zona induce l'ausilio per il parcheggio a segnalare "l'arresto" con un segnale acustico continuo.

In questa zona vengono visualizzati quasi tutti gli oggetti, tuttavia taluni oggetti possono capitare nell'angolo morto dei sensori oppure non essere rilevati a causa delle proprie caratteristiche o modeste dimensioni.

L'indicazione di oggetti fissi come p. es. il dispositivo di traino, può venire soppressa.

9 Impostazione del sistema

Il sistema di controllo elettronico è dotato di un pulsante (fig. 15 1) per impostare i seguenti parametri.

9.1 Impostazione della sensibilità

- Inserire l'accensione.
- Inserire la retromarcia (**solo MWE820, 860**).
- Premere il pulsante per meno di due secondi per impostare la sensibilità nel seguente ordine:
 - bassa sensibilità: l'altoparlante emette un segnale acustico una sola volta
 - media sensibilità (standard): l'altoparlante emette due segnali acustici
 - alta sensibilità: l'altoparlante emette tre segnali acustici

Premendo ripetutamente il pulsante la sensibilità viene modificata nella sequenza sopra indicata.

9.2 Soppressione dell'indicazione di oggetti fissi (ad es. dispositivo di traino) (solo MWE820, 860)



AVVISO!

Prima dell'impostazione, assicurarsi che non si trovino ulteriori oggetti nella zona di arresto, ad es. persone o altri veicoli.

- Inserire l'accensione.
- Inserire la retromarcia.
- Premere il pulsante per più di due secondi, ma meno di quattro, fino a che l'altoparlante emette un breve segnale.
- ✓ L'altoparlante emette ripetutamente brevi segnali.
- ✓ Il sistema inizializza l'oggetto fisso.
- Per terminare l'impostazione, disinserire di nuovo la retromarcia dopo almeno tre secondi.

9.3 Ripristino delle impostazioni di default

MWE 820, 860

- Inserire l'accensione.
- Inserire la retromarcia.
- Premere il pulsante per più di quattro secondi.
- ✓ L'altoparlante emette ripetuti segnali.
- Disinserire la retromarcia.
- Inserire di nuovo la retromarcia.
- ✓ Il sistema è stato ripristinato sulle impostazioni di fabbrica.

MWE890**NOTA**

Se il segnale di velocità del tachimetro è stato separato dal sistema di controllo elettronico, devono essere ripristinate le impostazioni di fabbrica, al fine di garantire il corretto funzionamento dei sensori.

- ▶ Inserire l'accensione.
- ▶ Premere il pulsante per più di due secondi.
- ✓ L'altoparlante emette ripetuti segnali.
- ▶ Rilasciare il tasto.
- ✓ Il sistema è stato ripristinato sulle impostazioni di fabbrica.

9.4 Come riflettere l'indicazione del display (solo MWE860)

Se gli ostacoli sono mostrati al rovescio sul display, procedere come segue:

- ▶ inserire i connettori dei sensori in ordine invertito nelle prese nel modulo di comando (1 → 4, 2 → 3, 3 → 2, 4 → 1).

10 Controllo del funzionamento

Per eseguire un test di prova dell'ausilio per il parcheggio dirigersi ad es. lentamente verso una parete.

**AVVISO!**

Durante la prima messa in funzione procedere con la massima cautela cercando di acquisire familiarità con le diverse sequenze di segnali acustici (fig. **14**).

11 Utilizzo dell'ausilio per il parcheggio

I sensori **posteriori** (MWE 820, 860) vengono attivati automaticamente inserendo la retromarcia quando l'accensione è inserita o il motore è in funzione. L'altoparlante emette un doppio segnale acustico.

I sensori **anteriori** (MWE 890) vengono attivati automaticamente non appena la l'accensione è inserita e la velocità di marcia è tra 0 e ca. 15 km/h.

Quale soluzione opzionale, il sistema di controllo elettronico dei sensori anteriori può essere collegato, anziché al segnale di velocità, al proiettore di retromarcia, oppure ad un interruttore esterno.



NOTA

Prima dell'utilizzo di una di entrambe queste funzioni mantenere premuto il pulsante sul sistema di controllo elettronico per 2 secondi (vedi capitolo "Ripristino delle impostazioni di default" a pagina 79).

I sensori sono attivi nei seguenti casi:

- Per ca. 30 secondi dopo l'avvio del motore.
- Quando la retromarcia è inserita e il sistema di controllo elettronico è collegato al proiettore di retromarcia.
- Per ca. 30 secondi dopo il disinnesto della retromarcia.
- Mediante un pulsante esterno (accessorio) i sensori possono essere attivati per un intervallo di ca. 30 secondi.

Appena un ostacolo si trova nel campo di rilevamento, viene emesso un segnale acustico che si ripete a intervalli regolari.

Durante l'avvicinamento, a seconda della zona in cui si trova l'ostacolo in quel momento, vengono modificate la sequenza del segnale acustico e la frequenza di lampeggiamento e in questo modo viene segnalata una distanza (fig. 14).

MWE 860 (opzionale MWE 890): quanto più l'ostacolo di avvicina, tanti più LED si illuminano sul display.

**AVVISO!**

Arrestare immediatamente il veicolo e controllare la situazione (evt. scendere), se durante le manovre si presentano le seguenti situazioni. Durante le manovre l'apparecchio visualizza in primo luogo un ostacolo e la sequenza di segnali acustici diventa automaticamente più veloce (ad es. passaggio dalla sequenza lenta a quella media). Improvvisamente il segnale acustico passa a una sequenza lenta di segnali acustici oppure non indica più la presenza di ostacoli. Questo significa che l'ostacolo iniziale non si trova più nel campo di rilevamento dei sensori (per caratteristiche di costruzione), ma che può essere ancora urtato.

12 Ricerca dei guasti

L'apparecchio non funziona.

Il cavo dell'alimentazione di tensione (cavo nero/blu e marrone) non è in contatto oppure è collegato in modo scorretto.

- Controllare i collegamenti.

Le spine dei sensori non sono inserite, oppure non sono inserite correttamente nel sistema di controllo elettronico.

- Controllare le spine ed eventualmente inserirle fino allo scatto.

Dopo l'inserimento dell'accensione viene emesso un lungo segnale acustico (ca. 3 sec.).

Uno o più sensori sono guasti o non sono più collegati al sistema di controllo elettronico. L'altoparlante indica il sensore guasto tramite il numero di segnali acustici brevi dopo il segnale lungo: ad esempio tre segnali acustici brevi per il sensore 3.

- Controllare le spine ed eventualmente inserirle fino allo scatto.
- Sostituire il sensore o i sensori guasto/i.

**AVVISO!**

Il sistema non funziona più in modo affidabile se risultano guasti uno o più sensori.

L'apparecchio segnala gli ostacoli in modo sbagliato.

Le seguenti cause possono portare ad un falso allarme.

- Per esempio sporczia o gelo sui sensori.
- Pulire i sensori.
- I sensori sono stati montati in modo errato.
- Adattare l'orientamento o l'altezza dei sensori (fig. **3**).
- I sensori sono in contatto con il telaio del veicolo.
- Separare i sensori dal telaio.

Oggetti posti sul veicolo (ad es. ruota di scorta) causano falsi allarmi.

- Impostare il sistema in modo tale che gli oggetti fissi non siano più mostrati (vedi capitolo "Impostazione del sistema" a pagina 78).

13 Garanzia

Vale il termine di garanzia previsto dalla legge. Qualora il prodotto risultasse difettoso, La preghiamo di rivolgersi alla filiale del produttore del suo Paese (l'indirizzo si trova sul retro del manuale di istruzioni), oppure al rivenditore specializzato di riferimento.

Per la riparazione o il disbrigo delle condizioni di garanzia è necessario inviare quanto segue:

- i componenti difettosi,
- una copia della fattura con la data di acquisto del prodotto,
- un motivo su cui fondare il reclamo, oppure una descrizione del guasto.

14 Smaltimento

- Raccogliere il materiale di imballaggio possibilmente negli appositi contenitori di riciclaggio.



Quando il prodotto viene messo fuori servizio definitivamente, informarsi al centro di riciclaggio più vicino, oppure presso il proprio rivenditore specializzato, sulle prescrizioni adeguate concernenti lo smaltimento.

15 Specifiche tecniche

	MagicWatch		
	MWE820	MWE860	MWE890
N. articolo:	9600000353	9600000354	9600000355
Campo di rilevamento:	da ca. 0,40 m a 1,6 m		da ca. 0,35 m a 0,75 m
Frequenza ultrasonora:	40 kHz		
Tensione di alimentazione:	10 – 24 V		
Corrente assorbita:	massimo 120 mA		
Temperatura di esercizio:	-25 °C a +70 °C		
Omologazione:			



NOTA

I sensori possono essere verniciati. Il produttore raccomanda di fare verniciare i sensori da un'officina specializzata.

Lees deze handleiding voor de montage en de ingebruikname zorgvuldig door en bewaar hem. Geef de handleiding bij het doorgeven van het product aan de gebruiker.

Inhoudsopgave

1	Veiligheids- en montage-instructies	86
2	Omvang van de levering	87
4	Reglementair gebruik	88
5	Instructies vóór de montage	88
6	Parkeerhulp monteren	89
7	Parkeerhulp aansluiten	89
8	Detectiebereik	91
9	Systeem instellen	91
10	Werking testen	93
11	Parkeerhulp gebruiken	94
12	Storingen zoeken	95
13	Garantie	96
14	Afvoeren	96
15	Technische gegevens	97

1 Veiligheids- en montage-instructies

De volgende teksten vullen de afbeeldingen in de bijlage slechts aan. Alleen vormen ze geen volledige montage- en gebruiksaanwijzing! Neem de bijgevoegde afbeeldingen in acht!

Leef de veiligheidsinstructies en voorschriften van de voertuigfabrikant en het garagebedrijf na!

Neem de geldende wettelijke voorschriften in acht.

De fabrikant kan in de volgende gevallen niet aansprakelijk worden gesteld voor schade:

- beschadiging van het product door mechanische invloeden en overspanningen
- veranderingen aan het product zonder uitdrukkelijke toestemming van de fabrikant
- gebruik voor andere dan de in de handleiding beschreven toepassingen



VOORZICHTIG!

- Bevestig de in het voertuig te monteren delen van de parkeerhulp zodanig, dat deze in geen geval (hard remmen, verkeersongeval) los kunnen raken en tot **verwondingen bij de inzittenden van het voertuig** kunnen leiden.
- Monteer de in het voertuig gemonteerde onderdelen van de parkeerhulp niet in het werkbereik van een airbag. Anders bestaat er verwondingsgevaar als de airbag opengaat.
- De parkeerhulp dient ter ondersteuning, d.w.z. dat het toestel u niet ontslaat van de plicht bijzonder voorzichtig te zijn bij het manoeuvreren.



LET OP!

- Bij voertuigen met LED-achterlichten kan de montage van de parkeerhulp tot storingen leiden.
- De inparkeerhulp is **niet** geschikt voor montage in metalen bumpers.
- De dubbele besturingselektronica mag niet aan vocht blootgesteld zijn.
- De besturingselektronica mag niet direct bij andere stuurmodules worden geïnstalleerd.
- De sensoren mogen geen signaallampen bedekken.

- Let er bij de montage van de sensoren op dat zich geen aan het voertuig vastgemonteerde objecten in het detectiebereik van de sensoren bevinden. De weergave van vaste voorwerpen, zoals trekhaken, kan worden onderdrukt.
- Doe een beetje vet in de steekverbindingen van de sensoren.

2 Omvang van de levering

Zie afb. **1**

Nr.	Aantal	Omschrijving	Artikelnr.
1	4	Ultrasone sensoren	9101500043
2	1	Besturingselektronica	
		MWE 820	9101500044
		MWE 860	9101500046
		MWE 890	9101500047
3	1	Luidsprekers	9101500051
4	1	Aansluitkabel besturingselektronica	
5	4	Aansluitkabel sensoren	
6	1	Bevestigingsmateriaal	
7	1	Kernboor 21,5 mm	
8	1	Display (alleen MWE 860)	9101500045

3 Toebehoren

Als toebehoren verkrijgbaar (niet bij de levering inbegrepen):

Omschrijving	Artikelnr.
Stanggereedschap 22 mm	9101500024
Externe toets (alleen MWE 890)	9101500049
Display (alleen MWE 890)	9101500045
Verlengkabel display, 5 m (alleen MWE 860, 890)	9101500053
Aansluitkabel sensor, 250 cm (alleen MWE 820, 860)	9101500048
Aansluitkabel sensor, 450 cm (alleen MWE 890)	9101500050

4 Reglementair gebruik

MagicWatch is een ultrasone inparkeerhulp. Deze bewaakt bij het rangeren de ruimte

- MWE820, 860: achter het voertuig
- MWE890: voor het voertuig

De inparkeerhulp waarschuwt akoestisch en optisch voor obstakels die door het toestel worden gedetecteerd.

MagicWatch is voor de montage in personenauto's ontworpen.

5 Instructies vóór de montage

5.1 Montageplek voor de sensors bepalen

Zie afb. **3** tot afb. **6**



INSTRUCTIE

Voor een goede werking van het toestel is het belangrijk dat de sensoren juist afgesteld zijn.

Als deze naar de grond wijzen, worden bijv. oneffenheden op de grond als hindernis doorgegeven. Als ze te ver naar boven wijzen, worden aanwezige hindernissen niet herkend.

Neem bij de montage het volgende in acht:

- De afstand van de sensoren tot de grond moet 50 cm bedragen (afb. **3**).
- Voor een optimale werking dient de hoek van de sensor t.o.v. de rijbaan 90° te bedragen (afb. **3**). De hoek mag niet kleiner zijn dan 90°, omdat in dat geval de rijbaan door de sensor als obstakel wordt herkend.
- Let op de positionering van de sensoren (afb. **4**).

5.2 Sensoren lakken

Zie afb. **2**



INSTRUCTIE

De sensoren mogen gelakt worden. De fabrikant adviseert om de sensoren door een vakkundige werkplaats te laten lakken.

6 Parkeerhulp monteren

Zie afb. **7** tot afb. **11**

Aanvulling bij afb. **3**



LET OP! Gevaar voor lakschade!

- De omgevingstemperatuur mag bij het ponsen of boren niet lager zijn dan 18 °C.
- Wij adviseren het gebruik van het ponsgereedschap.
- Let erop dat het ponsgereedschap bij het gebruik niet kantelt.

- Ontbraam de boorgaten.
- Schuin de boorgaten voor een betere pasnauwkeurigheid van onderen aan de binnenkant van de bumper een beetje af. De sensorbehuizing kan nu licht schuin naar onderen worden ingeschoven.

Aanvulling bij afb. **9**



LET OP! Gevaar voor storing!

MWE820, 860: Houd er rekening mee dat de sensoren in een bepaalde richting afgesteld moeten zijn. De bovenkant van de sensor is met een ▲ gemarkeerd.

7 Parkeerhulp aansluiten



INSTRUCTIE

- **MWE 820, 860:** Bij sommige voertuigen functioneert het achteruitrijlicht alleen bij ingeschakeld contact. In dit geval moet u het contact inschakelen om de plus- en massaleiding te bepalen.
- **MWE 890:** Als het snelheidssignaal op de besturingselektronica is aangesloten, worden de sensoren bij een snelheid van meer dan ca. 15 km/uur automatisch gedeactiveerd. Zodra de snelheid onder ca. 15 km/uur daalt, worden de sensoren weer geactiveerd.

MWE820, 860: Het totale aansluitschema vindt u in afb. **12**.

Nr.	Omschrijving
1	Besturingselektronica
2	Achteruitrijlicht
3	Zwart/blauwe ader: Aansluiting op geschakelde plus (+12 V)
4	Bruine ader: Aansluiting op massa
5	Rood/grijze ader: Aansluiting op de mute-aansluiting van de radio (optioneel)
6	Gele ader van de luidspreker
7	Blauwe ader van de luidspreker
8	Display (alleen MWE 860)
9	Sensoren

MWE890: Het totale aansluitschema vindt u in afb. **13**.

Nr.	Omschrijving
1	Besturingselektronica
2	Zwart/blauwe ader: Aansluiting op geschakelde plus (+12 V)
3	Bruine ader: Aansluiting op massa
4	Gele ader van de luidspreker
5	Blauwe ader van de luidspreker
6	Rood/grijze ader: Aansluiting op de mute-aansluiting van de radio (optioneel)
7	Geel/blauwe draad: aansluiting op achteruitrijlicht (optioneel)
8	Zwart/gele draad: aansluiting op het snelheidssignaal van de snelheidsmeter (optioneel)
9	Sensoren

8 Detectiebereik

Zie afb. **14**

Het detectiebereik van de parkeerhulp is in vier zones onderverdeeld:

- **Zone 1 (alleen MWE820, 860)**

Deze zone omvat het eerste grensgebied. Hier worden kleine of slecht reflecterende objecten in sommige gevallen niet geregistreerd.

- **Zone 2**

In deze zone worden nagenoeg alle objecten aangegeven.

- **Zone 3**

In deze zone worden vrijwel alle objecten aangegeven, wel kunnen er objecten in de dode hoek van de sensoren terechtkomen of vanwege hun hoedanigheid of geringe afmeting niet gedetecteerd worden.

- **Stopzone (4)**

Objecten in deze zone hebben tot gevolg dat de parkeerhulp door een permanente toon „Stop” doorgeeft.

In deze zone worden vrijwel alle objecten aangegeven, wel kunnen er objecten in de dode hoek van de sensoren terechtkomen of vanwege hun hoedanigheid of geringe afmeting niet gedetecteerd worden.

De weergave van vaste voorwerpen zoals aanhangers kan onderdrukt worden.

9 Systeem instellen

De besturingselektronica heeft een toets (afb. **15** 1) voor het instellen van onderstaande parameters.

9.1 Gevoeligheid instellen

- Schakel het contact in.
- Zet het voertuig in de achteruitversnelling (**alleen MWE 820, 860**).
- Druk de toets korter dan twee seconden in om de gevoeligheid in de volgende volgorde in te stellen:
 - Lage gevoeligheid: de luidspreker piept één keer
 - Gemiddelde gevoeligheid (standaard): de luidspreker piept twee keer
 - Hoge gevoeligheid: de luidspreker piept drie keer

Door de toets herhaaldelijk in te drukken, wordt de gevoeligheid in de bovengenoemde volgorde gewijzigd.

9.2 Weergave van vaste objecten (bijv. trekhaak) onderdrukken (alleen MWE820, 860)



LET OP!

Controleer voor het instellen of zich geen andere objecten in de stopzone bevinden, bijv. personen of andere voertuigen.

- Schakel het contact in.
- Zet het voertuig in de achteruitversnelling.
- Druk de toets langer dan twee seconden, maar korter dan vier seconden in tot de luidspreker kort piept.
- ✓ Uit de luidspreker weerklinken herhaaldelijk korte pieptonen.
- ✓ Het systeem initialiseert het vaste object.
- Om de instelling te beëindigen, koppelt u de achteruitversnelling na een looptijd van minimaal drie seconden weer uit.

9.3 Fabrieksinstelling herstellen

MWE 820, 860

- Schakel het contact in.
- Zet het voertuig in de achteruitversnelling.
- Druk de toets langer dan vier seconden in.
- ✓ Uit de luidspreker weerklinken herhaaldelijk pieptonen.
- Koppel de achteruitversnelling uit.
- Zet het voertuig weer in de achteruitversnelling.
- ✓ Het systeem is teruggezet op de fabrieksinstellingen.

MWE890**INSTRUCTIE**

Als het snelheidssignaal van de snelheidsmeter van de besturings-elektronica gescheiden is, moet de fabrieksinstelling hersteld worden om de correcte functie van de sensoren te garanderen.

- Schakel het contact in.
- Druk de toets langer dan twee seconden in.
- ✓ Uit de luidspreker weerklinken herhaaldelijk pieptonen.
- Laat de toets weer los.
- ✓ Het systeem is teruggezet op de fabrieksinstellingen.

9.4 Displayweergave spiegelen (alleen MWE860)

Als de obstakels op het display in spiegelbeeld worden weergegeven, gaat u als volgt te werk:

- Steek de stekkers van de sensoren in omgekeerde volgorde in de bussen van de besturingsmodule (1 → 4, 2 → 3, 3 → 2, 4 → 1).

10 Werking testen

Om de parkeerhulp te testen, rijdt u bijvoorbeeld langzaam op een wand af.

**LET OP!**

Handel bij de eerste ingebruikname uiterst voorzichtig en maak u vertrouwd met de verschillende tonenreeksen (afb. **14**).

11 Parkeerhulp gebruiken

De **achterste** sensoren (MWE 820, 860) worden automatisch geactiveerd door het voertuig in de achteruitversnelling te zetten als het contact ingeschakeld is of als de motor draait. Uit de luidspreker weerklinkt een dubbele pieptoon.

De **voorste** sensoren (MWE 890) worden automatisch geactiveerd zodra het contact ingeschakeld is en de rijsnelheid tussen 0 en ca. 15 km/uur ligt.

Optioneel kan de besturingselektronica van de voorste sensoren in plaats van aan het snelheidssignaal ook aan het achteruitrijlicht worden verbonden of op een externe schakelaar worden aangesloten.



INSTRUCTIE

Houd de toets van de besturingselektronica vóór gebruik van een van beide functies voor 2 seconden ingedrukt (zie hoofdstuk „Fabrieksinstelling herstellen” op pagina 92).

De sensoren zijn in de volgende gevallen actief:

- Ca. 30 seconden lang nadat de motor is gestart
- Als het voertuig in de achteruitversnelling gezet is en de besturingselektronica op het achteruitrijlicht aangesloten is
- Ca. 30 seconden lang nadat de achteruitversnelling uitgekoppeld is
- Met een externe toets (toebehoren) kunnen de sensoren voor een interval van ca. 30 seconden worden geactiveerd.

Zodra zich een hindernis in het detectiebereik bevindt, klinkt een signaaltoon die in gelijke intervallen wordt herhaald.

Als het obstakel verder wordt genaderd, veranderen de tonenreeks en de knipperfrequentie afhankelijk van de zone waarin het obstakel zich bevindt; op die manier wordt de afstand doorgegeven (afb. 14).

MWE 860 (optioneel MWE 890): naarmate het obstakel dichterbij komt, lichten op het display meerdere LED's op.

**LET OP!**

Breng het voertuig onmiddellijk tot stilstand en controleer de situatie (evt. uitstappen), als bij het rangeren het volgende gebeurt: Bij het rangeren geeft het toestel eerst een hindernis aan en de tonenreeks wordt heel normaal sneller (bijv. overgang van de langzame in de middelste tonenreeks). Plotseling gaat de signaaltoon over in de langzame tonenreeks of er wordt helemaal geen hindernis meer aangegeven. Dit betekent dat de oorspronkelijke hindernis zich niet meer in het detectiebereik van de sensoren bevindt (afhankelijk van de vorm), maar nog steeds kan worden genaderd.

12 Storingen zoeken

Toestel functioneert niet.

De voedingskabel (zwart/blauwe en bruine kabel) heeft geen contact of is verkeerd aangesloten.

- Controleer de verbindingen.

De stekkers van de sensoren zijn niet of niet goed ingestoken in de besturings-elektronica.

- Controleer de stekkers en steek ze indien nodig zo ver in tot ze vastklikken.

Na het inschakelen van het contact klinkt een lange toon (ca. 3 s).

Eén of meerdere sensoren zijn defect of niet meer verbonden met de besturings-elektronica. De luidspreker geeft aan de hand van het aantal pieptonen na de lange pieptoon aan welke sensor defect is: bijvoorbeeld drie pieptonen voor sensor 3.

- Controleer de stekkers en steek ze indien nodig zo ver in tot ze vastklikken.
- Vervang de defecte sensor(en).

**LET OP!**

Het systeem functioneert niet goed meer als een of meerdere sensoren defect zijn.

Toestel meldt hindernissen verkeerd.

De volgende oorzaken kunnen valse alarmen tot gevolg hebben:

- Bijvoorbeeld vuil of vorst op de sensoren.
- Reinig de sensoren.

- De sensoren zijn verkeerd gemonteerd.
- Pas de afstelling of de hoogte van de sensoren aan (afb. **3**).

- De sensoren maken contact met het voertuigchassis.
- Maak de sensoren van het chassis los.

Objecten aan het voertuig (bijv. reservewiel) leiden tot valse alarmen.

- Stel het systeem zo in dat vaste objecten niet meer worden weergegeven (zie hoofdstuk „Systeem instellen“ op pagina 91).

13 Garantie

De wettelijke garantieperiode is van toepassing. Als het product defect is, wendt u zich tot het filiaal van de fabrikant in uw land (adressen zie achterkant van de handleiding) of tot uw speciaalzaak.

Voor de afhandeling van de reparatie of garantie dient u het volgende mee op te sturen:

- defecte onderdelen,
- een kopie van de factuur met datum van aankoop,
- reden van de klacht of een beschrijving van de storing.

14 Afvoeren

- Laat het verpakkingsmateriaal indien mogelijk recyclen.



Als u het product definitief buiten bedrijf stelt, informeer dan bij het dichtstbijzijnde recyclingcentrum of uw speciaalzaak naar de betreffende afvoervoorschriften.

15 Technische gegevens

	MagicWatch		
	MWE820	MWE860	MWE890
Artikelnr.:	9600000353	9600000354	9600000355
Detectiebereik:	ca. 0,40 m tot 1,6 m		ca. 0,35 m tot 0,75 m
Ultrasone frequentie:	40 kHz		
Voedingsspanning:	10 – 24 V		
Stroomverbruik:	maximaal 120 mA		
Bedrijfstemperatuur:	-25 °C tot +70 °C		
Certificaat:			



INSTRUCTIE

De sensoren mogen gelakt worden. De fabrikant adviseert om de sensoren door een vakkundige werkplaats te laten lakken.

Læs denne vejledning omhyggeligt igennem før installation og ibrugtagning, og opbevar den. Giv den til brugeren, hvis du giver produktet videre.

Indholdsfortegnelse

1	Sikkerheds- og installationshenvisninger	99
2	Leveringsomfang	100
4	Korrekt brug	101
5	Henvisninger før monteringen	101
6	Montering af parkeringshjælpen	102
7	Tilslutning af parkeringshjælpen	102
8	Registreringsområde	104
9	Indstilling af systemet	104
10	Funktionstest	106
11	Anvendelse af parkeringshjælpen	107
12	Fejlsøgning	108
13	Garanti	109
14	Bortskaffelse	109
15	Tekniske data	110

1 Sikkerheds- og installationshenvisninger

Følgende tekster supplerer udelukkende illustrationerne på tillægget. Alene er de ikke fuldstændige monterings- og betjeningshenvisninger! Vær ubetinget opmærksom på illustrationerne på tillægget!

Overhold sikkerhedshenvisningerne og pålæggene, der er foreskrevet af køretøjsproducenten og af automobilbranchen!

Overhold de gældende retslige forskrifter.

Producenten påtager sig intet ansvar for skader i følgende tilfælde:

- Beskadigelser på produktet på grund af mekanisk påvirkning og overspænding
- Ændringer på produktet uden udtrykkelig tilladelse fra producenten
- Anvendelse til andre formål end dem, der er beskrevet i vejledningen



FORSIGTIG!

- Fastgør de dele af parkeringshjælpen, der er monteret i køretøjet, så de under ingen omstændigheder (hård opbremsning, trafikuheld) kan løsne sig og føre til **kvæstelse af dem, der sidder i køretøjet**.
- Montér ikke parkeringshjælpens dele, der er monteret i køretøjet, i virkeområdet for en airbag. I modsat fald er der fare for kvæstelser, når airbaggen udløses.
- Parkeringshjælpen skal give dig ekstra støtte, dvs. apparatet fritager dig ikke fra din pligt til at udvise særlig forsigtighed, når du parkerer.



VIGTIGT!

- Ved køretøjer med lysdiodebaglygter kan monteringen af parkeringshjælpen medføre fejl.
- Parkeringshjælpen er **ikke** egnet til montering i metal-kofangere.
- Styreelektronikkerne må ikke udsættes for fugt.
- Styreelektronikken må ikke installeres umiddelbart i nærheden af andre styremoduler.
- Sensorer må ikke tildække signallamper.
- Sørg ved monteringen af sensorerne for, at der ikke findes objekter, der er fast monteret på køretøjet, i sensorernes registreringsområde. Visning af faste objekter som f.eks. anhængertræk kan undertrykkes.
- Smør lidt fedt på sensorernes stikforbindelser.

2 Leveringsomfang

Se fig. 1

Nr.	Mængde	Betegnelse	Artikel-nr.
1	4	Ultralydssensorer	9101500043
2	1	Styreelektronik MWE 820 MWE 860 MWE 890	9101500044 9101500046 9101500047
3	1	Højtaler	9101500051
4	1	Tilslutningskabel styreelektronik	
5	4	Tilslutningskabel sensorer	
6	1	Fastgørelsesmateriale	
7	1	Hulbor 21,5 mm	
8	1	Display (kun MWE 860)	9101500045

3 Tilbehør

Kan fås som tilbehør (ikke indeholdt i leveringsomfanget):

Betegnelse	Artikel-nr.
Stanseværktøj 22 mm	9101500024
Ekstern tast (kun MWE 890)	9101500049
Display (kun MWE 890)	9101500045
Forlænger kabel display, 5 m (kun MWE 860, 890)	9101500053
Tilslutningskabel sensor, 250 cm (kun MWE 820, 860)	9101500048
Tilslutningskabel sensor, 450 cm (kun MWE 890)	9101500050

4 Korrekt brug

MagicWatch er en parkeringshjælp på ultralydsbasis. Den overvåger rummet med parkering:

- MWE820, 860: Bagved køretøjet
- MWE890: Foran køretøjet

Den advarer akustisk og optisk mod forhindringer, der registreres af apparatet.

MagicWatch er beregnet til montering i personbiler.

5 Henvisninger før monteringen

5.1 Fastlæggelse af monteringsstedet for sensorerne

Se fig. **3** til fig. **6**



BEMÆRK

For at apparatet fungerer fejlfrit, er det vigtigt, at sensorerne justeres korrekt.

Hvis de peger mod jorden, vises f.eks. ujævnheder på jorden som forhindring. Hvis de peger for langt op, registreres eksisterende forhindringer ikke.

Overhold følgende ved monteringen:

- Sensorernes afstand til jorden skal være 50 cm (fig. **3**).
- For at fungere optimalt skal sensorens vinkel i forhold til kørebanen være på 90° (fig. **3**). Vinklen må ikke være mindre end 90°, da kørebanen så registreres af sensoren som forhindring.
- Vær opmærksom sensorernes positionering (fig. **4**).

5.2 Lakering af sensorerne

Se fig. **2**



BEMÆRK

Sensorerne må lakeres. Producenten anbefaler at lade et autoriseret værksted lakere sensorerne.

6 Montering af parkeringshjælpen

Se fig. 7 til fig. 11

Forklaring til fig. 3



VIGTIGT! Fare for lakskader!

- Udenomstemperaturen må ikke ligge under 18 °C, når der stanses eller bores.
- Vi anbefaler at anvende stanseværktøjet.
- Sørg for, at stanseværktøjet ikke sætter sig fast, når det anvendes.

- Afgrat hullerne.
- Afskrå hullernes kant lidt foruden på kofangerens inderside, så de passer bedre. Sensorhuset kan nu let skubbes skråt ned.

Forklaring til fig. 9



VIGTIGT! Fare for funktionsfejl!

Vær opmærksom på, at sensorerne skal have en bestemt justering. Sensorens overside er mærket med et ▲.

7 Tilslutning af parkeringshjælpen



BEMÆRK

- **MWE 820, 860:** Ved nogle køretøjer fungerer baklygten kun, når tændingen er slået til. I dette tilfælde skal du slå tændingen til for at bestemme plus- og stilledningen.
- **MWE 890:** Hvis hastighedssignalet er tilsluttet til styreelektronikken, deaktiveres sensorerne automatisk ved en hastighed over ca. 15 km/h. Så snart hastighedsbølgen falder under ca. 15 km/h, aktiveres sensorerne igen.

MWE 820, 860: Det samlede tilslutningsskema findes på fig. **12**.

Nr.	Betegnelse
1	Styreelektronik
2	Baklygte
3	Sort/blå leder: Tilslutning til tilkoblet plus (+12 V)
4	Brun leder: Tilslutning til stel
5	Rød/grå leder: Tilslutning til radioens mute-tilslutning (option)
6	Gul leder fra højttaleren
7	Blå leder fra højttaleren
8	Display (kun MWE 860)
9	Sensorer

MWE 890: Det samlede tilslutningsskema findes på fig. **13**.

Nr.	Betegnelse
1	Styreelektronik
2	Sort/blå leder: Tilslutning til tilkoblet plus (+12 V)
3	Brun leder: Tilslutning til stel
4	Gul leder fra højttaleren
5	Blå leder fra højttaleren
6	Rød/grå leder: Tilslutning til radioens mute-tilslutning (option)
7	Gul/blå leder: Tilslutning til baklygte (option)
8	Sort/gul leder: Tilslutning til speedometerets hastighedssignal (option)
9	Sensorer

8 Registreringsområde

Se fig. 14

Parkeringshjælpens registreringsområde er opdelt i fire zoner:

- **Zone 1 (kun MWE820, 860)**

Denne zone er det første grænseområde. Her registreres små eller dårligt reflekterende genstande under visse omstændigheder ikke.

- **Zone 2**

I denne zone vises næsten alle objekter.

- **Zone 3**

I denne zone vises næsten alle objekter, men genstande kan komme ind i sensorernes døde vinkel eller på grund af deres beskaffenhed eller ringe størrelse ikke blive registreret.

- **Stopzone (4)**

Objekter i denne zone medfører, at parkeringshjælpen signalerer „stop“ med en konstant tone.

I denne zone vises næsten alle objekter, men genstande kan komme ind i sensorernes døde vinkel eller på grund af deres beskaffenhed eller ringe størrelse ikke blive registreret.

Visning af faste objekter som f.eks. anhængertræk kan undertrykkes.

9 Indstilling af systemet

Styreelektronikken har en tast (fig. 15 1) til at indstille følgende parametre.

9.1 Indstilling af følsomheden

- Slå tændingen til.
- Skift til bakgearet (**kun MWE820, 860**).
- Tryk kort på tasten mindre end to sekunder for at indstille følsomheden i følgende rækkefølge:
 - Laveste følsomhed: Højtaleren bipper en gang
 - Middel følsomhed (standard): Højtaleren bipper to gange
 - Højeste følsomhed: Højtaleren bipper tre gange

Ved at trykke flere gange på tasten ændres følsomheden i den rækkefølge, der anføres ovenfor.

9.2 Undertrykkelse af visning af faste objekter (f.eks. anhængeranordning) (kun MWE820, 860)



VIGTIGT!

Sørg før indstillingen for, at der ikke findes ekstra objekter i stopzonen, f.eks. personer eller andre køretøjer.

- Slå tændingen til.
- Skift til bakgearet.
- Tryk på tasten i mere end to sekunder, men mindre end fire sekunder, indtil højttaleren bipper kort.
- ✓ Højttaleren udsender korte pip-toner flere gange.
- ✓ Systemet initialiserer det faste objekt.
- For at afslutte indstillingen skal du efter en funktionstid på mindst tre sekunder igen skifte fra bakgearet.

9.3 Genetablering af fabriksindstillingen

MWE820, 860

- Slå tændingen til.
- Skift til bakgearet.
- Tryk på tasten i mere end fire sekunder.
- ✓ Højttaleren udsender pip-toner flere gange.
- Skift fra bakgearet.
- Skift igen til bakgearet.
- ✓ Systemet blev nulstillet til fabriksindstillingerne.

MWE890**BEMÆRK**

Hvis speedometerets hastighedssignal er adskilt fra styreelektronikken, skal fabriksindstillingen genetableres for at sikre, at sensorerne fungerer korrekt.

- ▶ Slå tændingen til.
- ▶ Tryk på tasten i mere end to sekunder.
- ✓ Højtaleren udsender pip-toner flere gange.
- ▶ Slip tasten igen.
- ✓ Systemet blev nulstillet til fabriksindstillingerne.

9.4 Spejling af displayvisningen (kun MWE860)

Gå frem på følgende måde, hvis forhindringerne på displayet vises spejlvendt:

- ▶ Sæt sensorernes tilslutningsstik i bøsningerne i styremodulet i omvendt rækkefølge (1 → 4, 2 → 3, 3 → 2, 4 → 1).

10 Funktionstest

Kør f.eks. langsomt hen imod en væg for at teste parkeringshjælpen.

**VIGTIGT!**

Gå frem med den største forsigtighed ved den første idrifttagning, og lær de forskellige tonesekvenser at kende (fig. **14**).

11 Anvendelse af parkeringshjælpen

De **bageste** sensorer (MWE820, 860) aktiveres automatisk, når der skiftes til bakgear og tændingen er slået til eller motoren kører. Højttaleren afgiver en dobbelt tone.

De **forreste** sensorer (MWE890) aktiveres automatisk, så snart tændingen er slået til og kørehastigheden ligger mellem 0 og ca. 15 km/h.

Som option kan de forreste sensorers styreelektronik også forbindes med baklygten eller tilsluttes til en ekstern kontakt i stedet for til hastighedssignalet.



BEMÆRK

Før en af disse to funktioner anvendes, skal der trykkes på styreelektronikkens tast i 2 sekunder (se kapitlet „Genetablering af fabriksindstillingen“ på side 105).

Sensorerne er aktive i følgende tilfælde:

- Ca. 30 sekunder efter start af motoren
- Når der er skiftet til bakgear og styreelektronikken er tilsluttet til baklygten
- Ca. 30 sekunder efter skift fra bakgear
- Med en ekstern tast (tilbehør) kan sensorerne aktiveres i et interval på ca. 30 sekunder.

Så snart der befinder sig en forhindring i registreringsområdet, lyder der en signal-tone, der gentages regelmæssigt.

Afhængigt af hvilken zone forhindringen befinder sig i, ændres tonesekvensen og blinkfrekvensen og signaleres der dermed en afstand, når der køres (fig. 13).

MWE 860 (facultatief MWE 890): På displayet lyser flere LED'er, jo nærmere forhindringen kommer.



VIGTIGT!

Stands straks køretøjet, og kontrollér situationen (gå evt. ud), hvis følgende forekommer ved parkering:

Ved parkering viser apparatet først en forhindring, og tonesekvensen bliver helt normalt hurtigere (f.eks. skift fra den langsomme til den midterste tonesekvens). Pludselig skifter signaltonen til den langsomme tonesekvens eller viser overhovedet ingen forhindring mere.

Det betyder, at den oprindelige forhindring ikke længere befinder sig i sensorernes registreringsområde (betinget af udførelsen), men der kan stadig køres imod den.

12 Fejlsøgning

Apparatet viser ingen funktion.

Spændingsforsyningskablet (sort/blå og brun ledning) har ikke kontakt eller er tilsluttet forkert.

- Kontrollér forbindelserne.

Sensorernes stik er ikke sat i styreelektronikken eller ikke sat rigtigt i.

- Kontrollér stikkene, og sæt dem evt. i, så de går i indgreb.

Når tændingen er slået til, lyder der en lang tone (ca. 3 sek.)

En eller flere sensorer er defekte eller ikke længere forbundet med styreelektronikken. Højttaleren angiver med antallet af pip-toner efter den lange tone den defekte sensor: F.eks. tre pip-toner for sensor 3.

- Kontrollér stikkene, og sæt dem evt. i, så de går i indgreb.
- Udskift den eller de defekte sensorer.



VIGTIGT!

Systemet fungerer ikke mere pålideligt, hvis en eller flere sensorer defekte.

Apparatet melder forhindreder forkert.

Følgende årsager kan medføre fejlalarmer:

- F.eks. smuds eller frost på sensorerne.
- Rengør sensorerne.
- Sensorerne blev monteret forkert.
- Tilpas sensorernes justering og højde (fig. **3**).
- Sensorerne har kontakt med køretøjets chassis.
- Afbryd sensorerne fra chassiset.

Objekter på køretøjet (f.eks. reservehjul) medfører fejlalarmer.

- Indstil systemet, så faste objekter ikke længere vises (se kapitlet „Indstilling af systemet“ på side 104).

13 Garanti

Den lovbestemte garantiperiode gælder. Hvis produktet er defekt, skal du kontakte producentens afdeling i dit land (adresser, se vejledningens bagside) eller din forhandler.

Ved reparation eller krav om garanti skal du indsende følgende:

- Defekte komponenter
- En kopi af regningen med købsdato
- En reklamationsgrund eller en fejlbeskrivelse

14 Bortskaffelse

► Bortskaf så vidt muligt emballagen sammen med det tilsvarende genbrugsaffald.



Hvis du tager produktet endegyldigt ud af drift, skal du kontakte det nærmeste recyclingcenter eller din faghandel for at få de pågældende forskrifter om bortskaffelse.

15 Tekniske data

	MagicWatch		
	MWE820	MWE860	MWE890
Artikel-nr.:	9600000353	9600000354	9600000355
Registreringsområde:	ca. 0,40 m til 1,6 m		ca. 0,35 m til 0,75 m
Registreringsområde:	40 kHz		
Ultralydsfrekvens:	10 – 24 V		
Strømforbrug:	maks. 120 mA		
Driftstemperatur:	-25 °C til +70 °C		
Godkendelse:	 030117		



BEMÆRK

Sensorerne må lakeres. Producenten anbefaler at lade et autoriseret værksted lakere sensorerne.

Läs igenom anvisningarna noga innan produkten monteras och används. Spara monterings- och bruksanvisningen för senare bruk. Överlämna bruksanvisningen till den nya ägaren vid ev. vidareförsäljning.

Innehållsförteckning

1	Säkerhets- och installationsanvisningar	112
2	Leveransomfattning.	113
4	Ändamålsenlig användning	114
5	Före monteringen	114
6	Montera parkeringshjälpen	115
7	Ansluta parkeringshjälpen	115
8	Avkänningsområde.	117
9	Ställa in systemet.	117
10	Funktionstest	119
11	Använda parkeringshjälpen	120
12	Felsökning	121
13	Garanti	122
14	Avfallshantering.	122
15	Tekniska data.	123

1 Säkerhets- och installationsanvisningar

Följande texter kompletterar endast bilderna i bilagan. I sig är texterna inga fullständiga monterings- och användningsanvisningar! Beakta alltid bilderna i bilagan!

Beakta säkerhetsanvisningarna och riktlinjerna från fordonstillverkaren samt reglerna för bilmekaniska arbeten!

Beakta gällande lagar och bestämmelser.

Tillverkaren övertar inget ansvar för skador i följande fall:

- skador på produkten, orsakade av mekanisk påverkan eller överspänning
- ändringar som utförts utan uttryckligt medgivande från tillverkaren
- ej ändamålsenlig användning



AKTA!

- Fäst de delar till parkeringshjälpen som monteras inne i fordonet så att de inte kan lossna och **skada personerna i fordonet** (t.ex. vid kraftiga bromsningar, trafikolyckor).
- Se till att de delar av parkeringshjälpen som monteras inne i bilen inte monteras inom en krockkuddes utlösningssområde. Annars finns det risk för skador när krockkudden löser ut.
- Parkeringshjälpen är till för att underlätta parkeringen. Föraren måste dock ändå alltid iakttä största försiktighet under parkeringen.



OBSERVERA!

- På fordon med LED-bakljus kan det uppstå störningar när parkeringshjälpen monteras.
- Parkeringshjälpen ska **inte** monteras i stötfångare av metall.
- Styrenheten får inte utsättas för fukt.
- Styrenheten får inte installeras i omedelbar närhet av andra styrmoduler.
- Se till att sensorerna inte täcker över några signallampor.
- När sensorerna monteras: se till att inga föremål som sitter fast på fordonet hamnar inom sensorernas avkänningsområde. Indikering av fasta föremål, t.ex. dragkrokar, kan förhindras.
- Applicera lite fett i sensorernas stickkontakter.

2 Leveransomfattning

Se bild **1**

Nr	Mängd	Beteckning	Artikelnr
1	4	ultraljudssensorer	9101500043
2	1	styrenhet MWE 820 MWE 860 MWE 890	9101500044 9101500046 9101500047
3	1	högtalare	9101500051
4	1	anslutningskabel styrenhet	
5	4	anslutningskablar sensorer	
6	1	fastsättningsmaterial	
7	1	kärnborr 21,5 mm	
8	1	display (endast MWE 860)	9101500045

3 Tillbehör

Följande tillbehör finns tillgängligt (ingår inte i leveransen):

Beteckning	Artikelnr
Stansverktyg 22 mm	9101500024
Extern knapp (endast MWE 890)	9101500049
display (endast MWE 890)	9101500045
Förlängningskabel, display, 5 m (endast MWE 860, 890)	9101500053
Anslutningskabel, sensor, 250 cm (endast MWE 820, 860)	9101500048
Anslutningskabel, sensor, 450 cm (endast MWE 890)	9101500050

4 Ändamålsenlig användning

MagicWatch är en parkeringshjälp som arbetar med ultraljud. Den övervakar området vid parkering

- MWE820, 860: bakom fordonet
- MWE890: framför fordonet

Den avger akustiska och optiska varningssignaler om några hinder registreras.

MagicWatch är avsedd för personbilar.

5 Före monteringen

5.1 Bestämma sensorernas monteringsplats

Se bild **3** till bild **6**



ANVISNING

För att systemet ska fungera ordentligt är det viktigt att sensorerna riktas rätt.

Om sensorerna riktas mot marken signaleras t.ex. ojämnheter på marken som hinder. Om de riktas för högt uppåt registreras inte hindren.

Tänk på följande vid monteringen:

- Avståndet mellan sensorerna och marken ska vara 50 cm (bild **3**).
- För en optimal funktion ska sensorernas vinkel i förhållande till vägen vara 90° (bild **3**). Vinkeln får inte vara mindre än 90° eftersom vägen då registreras som hinder.
- Se till att sensorerna placeras rätt (bild **4**).

5.2 Lackera sensorerna

Se bild **2**



ANVISNING

Sensorerna får lackeras. Tillverkaren rekommenderar att lackeringen av sensorerna görs av en auktoriserad verkstad.

6 Montera parkeringshjälpen

Se bild **7** till bild **11**

Komplettering till bild **8**



OBSERVERA! Risk för lackskador!

- Vid stansning eller borring får omgivningstemperaturen inte ligga under 18 °C.
- Vi rekommenderar att stansverktyget används.
- Se till att stansverktyget ligger plant när det används.

- Avgrada borrhålen.
- Borra lite snett nedtill på stötfångarens insida, då passar sensorerna bättre. Sensorkåpan kan då sättas in snett neråt.

Komplettering till bild **9**



OBSERVERA! Risk för funktionsstörningar!

Tänk på att sensorerna ska riktas ordentligt. Sensorernas översida är märkta med ett ▲.

7 Ansluta parkeringshjälpen



ANVISNING

- **MWE 820, 860:** På en del fordon fungerar backljuset endast när tändningen är påslagen. Då måste man slå på tändningen för att kunna bestämma plus- och jordledningen.
- **MWE 890:** När hastighetssignalen har anslutits till styrenheten avaktiveras sensorerna automatiskt vid en hastighet över ca 15 km/h. När hastigheten sjunker under ca 15 km/h aktiveras sensorerna igen.

MWE820, 860: Kopplingsschemat finns på bild **12**.

Nr	Beteckning
1	Styrenhet
2	Backljus
3	Svart/blå ledare: anslutning till tändningsplus (+12 V)
4	Brun ledare: anslutning till jord
5	Röd/grå ledare: anslutning till radions mute-anslutning (tillval)
6	Gul ledare från högtalaren
7	Blå ledare från högtalaren
8	display (endast MWE860)
9	Sensorer

MWE890: Kopplingsschemat finns på bild **13**.

Nr	Beteckning
1	Styrenhet
2	Svart/blå ledare: anslutning till tändningsplus (+12 V)
3	Brun ledare: anslutning till jord
4	Gul ledare från högtalaren
5	Blå ledare från högtalaren
6	Röd/grå ledare: anslutning till radions mute-anslutning (tillval)
7	Gul/blå ledare: Anslutning till backljus (tillval)
8	Svart/gul ledare: Anslutning till hastighetssignalen för hastighetsmätaren (tillval)
9	Sensorer

8 Avkänningsområde

Se bild

Parkeringshjälpens avkänningsområde delas in i fyra zoner:

- **Zon 1 (endast MWE820, 860)**

Den här zonen är det första gränsområdet. Här kan det hända att små eller dåligt reflekterande föremål inte registreras.

- **Zon 2**

Inom denna zon registreras så gott som samtliga föremål.

- **Zon 3**

Inom denna zon registreras så gott som samtliga föremål, det kan dock hända att föremål befinner sig inom sensorernas döda vinkel eller så registreras de inte p.g.a. dess fysikaliska egenskaper eller dess ringa storlek.


- **Stoppzon (4)**

Om föremål registreras inom denna zon signalerar parkeringshjälpen "stopp" genom en oavbruten akustisk signal.

Inom denna zon registreras så gott som samtliga föremål, det kan dock hända att föremål befinner sig inom sensorernas döda vinkel eller så registreras de inte p.g.a. dess fysikaliska egenskaper eller dess ringa storlek.

Indikering av fasta föremål, t.ex. dragkroken, kan dämpas.

9 Ställa in systemet

Styrenheten har en knapp (bild  1) för inställning av följande parametrar.

9.1 Inställning av känsligheten

- Slå på tändningen.
- Lägg i backen (**endast MWE820, 860**).
- Tryck på knappen kortare än två sekunder för att ställa in känsligheten i följande ordningsföljd:
 - Låg känslighet: högtalaren avger en pipton
 - Medelhög känslighet (standard): högtalaren avger två piptoner
 - Hög känslighet: högtalaren avger tre piptoner

Genom upprepade tryckningar på knappen ändras känsligheten enligt den ovanstående ordningsföljden.

9.2 Förhindra visning av fasta föremål (t.ex. dragkrok) (endast MWE820, 860)



OBSERVERA!

Se till att det inte finns några föremål, fordon eller personer i stoppzonen innan du gör inställningen.

- Slå på tändningen.
- Lägg i backen.
- Tryck på knappen i två till fyra sekunder, tills högtalaren avger en kort pipton.
- ✓ Högtalaren avger flera korta piptoner.
- ✓ Systemet initialiserar det fasta föremålet.
- Avsluta inställningen: lägg ur backen igen efter minst tre sekunder.

9.3 Återställning av fabriksinställningar

MWE820, 860

- Slå på tändningen.
- Lägg i backen.
- Tryck på knappen längre än fyra sekunder.
- ✓ Högtalaren avger flera korta piptoner.
- Lägg ur backen.
- Lägg i backen igen.
- ✓ Systemet återställs till fabriksinställningarna.

MWE890



ANVISNING

Om hastighetssignalen för hastighetsmätaren kopplas bort från styr-enheten, måste fabriksinställningen återställas för att sensorerna ska fungera korrekt igen.

- ▶ Slå på tändningen.
- ▶ Tryck på knappen längre än två sekunder.
- ✓ Högtalaren avger flera korta piptoner.
- ▶ Släpp upp knappen.
- ✓ Systemet återställs till fabriksinställningarna.

9.4 Visa spegelvända bilder på displayen (endast MWE860)

Om hindren visas på "fel sida", gå till väga på följande sätt:

- ▶ Anslut sensorernas kontakter till styrmodulen i omvänd ordningsföljd (1 → 4, 2 → 3, 3 → 2, 4 → 1).

10 Funktionstest

Kör långsamt mot en vägg för att testa parkeringshjälpen.



OBSERVERA!

Var mycket försiktig när du testar systemet för första gången, lyssna noga på de olika tonföljderna (bild **14**).

11 Använda parkeringshjälpen

De **bakre** sensorerna (MWE 820, 860) aktiveras automatiskt när backen läggs i, tändningen är påslagen/motorn är igång. En dubbel alarmton hörs ur högtalaren.

De **främre** sensorerna (MWE 890) aktiveras automatiskt när tändningen är på och hastigheten ligger mellan 0 och ca 15 km/h.

Styrenheten till de främre sensorerna kan även kopplas till backljuset istället för att kopplas till hastighetssignalen eller anslutas till en extern strömbrytare.



ANVISNING

Innan en av de båda funktionerna används ska knappen på styrenheten tryckas in i 2 sekunder (se kapitel "Återställning av fabriksinställningar" på sidan 118).

Sensorerna är aktiva i följande fall:

- Cirka 30 sekunder efter att motorn har startats
- När backen är ilagd och styrenheten är ansluten till backljuset
- Cirka 30 sekunder efter att backen har lagts ut
- Med en extern knapp (tillbehör) kan sensorerna kopplas aktiva i ett intervall på ca 30 sekunder.

En signal ljuder regelbundet så fort ett hinder befinner sig inom avkänningsområdet.

När man närmar sig hindret ändras tonföljden och blinkfrekvensen beroende på vilken zon hindret finns i, därigenom signaleras det aktuella avståndet (bild **14**).

MWE 860 (tillval MWE 890): På displayen tänds fler lysdioder ju närmare hindret kommer.



OBSERVERA!

Stanna genast bilen och kontrollera avståndet (stig vid behov ut ur bilen) om nedanstående sker under parkeringen:

Under parkeringen signalerar systemet ett hinder och signalerna blir snabbare (växlar t.ex. från långsamt till "medelsnabbt"). Plötsligt växlar systemet till långsamma signaler igen, eller det signalerar inget hinder längre.

Det betyder att hindret inte längre befinner sig inom sensorernas avkänningsområde (beroende på modell).

12 Felsökning

Systemet fungerar inte.

Spänningsförsörjningskabeln (svart/blå och brun ledning) har ingen kontakt eller felaktig anslutning.

- Kontrollera anslutningarna.

Sensorernas kontakter har inte anslutits till styrenheten, eller de har inte anslutits korrekt.

- Kontrollera kontakterna, anslut dem vid behov rätt, de måste haka i ordentligt.

När tändningen slås på ljuder en lång ton (ca 3 sek.)

En eller flera sensorer är defekta eller är inte anslutna till styrenheten. Högtalaren avger först en lång signalton, därefter anger antalet signaltoner vilken sensor som är trasig, t.ex. tre piptoner för sensor 3.

- Kontrollera kontakterna, anslut dem vid behov rätt, de måste haka i ordentligt.
- Byt ut den trasiga sensorn/de trasiga sensorerna.



OBSERVERA!

Systemet fungerar inte längre tillförlitligt om en eller flera sensorer är defekta.

Apparaten felanmäler föremål.

Följande orsaker kan leda till falskt alarm:

- Till exempel smuts eller frost på sensorerna.
- Rengör sensorerna.
- Sensorerna har monterats felaktigt.
- Rikta sensorerna eller ställ in höjden (bild **3**).
- Sensorerna har kontakt med chassit.
- Isolera sensorerna från chassit.

Föremål på fordonet (t.ex. frakt av cykel) kan leda till falskt alarm.

- ▶ Ställ in systemet så att fasta föremål inte indikeras längre (se kapitel "Ställa in systemet" på sidan 117).

13 Garanti

Den lagstadgade garantitiden gäller. Om produkten är defekt: kontakta tillverkarens kontor i ditt land (adresser, se bruksanvisningens baksida) eller återförsäljaren.

Vid reparations- resp. garantiärenden ska följande skickas med:

- defekta komponenter,
- en kopia på fakturan med inköpsdatum,
- en reklambeskrivning/felbeskrivning.


14 Avfallshantering

- ▶ Lämna om möjligt förpackningsmaterialet till återvinning.



När produkten slutgiltigt tas ur bruk: informera dig om gällande bestämmelser hos närmaste återvinningscentral eller hos återförsäljaren.

15 Tekniska data

	MagicWatch		
	MWE820	MWE860	MWE890
Artikelnr:	9600000353	9600000354	9600000355
Avkänningsområde:	ca 0,40 m till och med 1,6 m		ca 0,35 m till och med 0,75 m
Ultraljudsfrekvens:	40 kHz		
Försörjningsspänning:	10 – 24 V		
Strömbehov:	maximalt 120 mA		
Drifttemperatur:	-25 °C till +70 °C		
Godkännande:			



ANVISNING

Sensornerna får lackeras. Tillverkaren rekommenderar att lackeringen av sensornerna görs av en auktoriserad verkstad.

Les bruksanvisningen nøye før du monterer og tar apparatet i bruk, og ta vare på den. Hvis produktet selges videre, må du sørge for å gi bruksanvisningen videre også.

Innholdsfortegnelse

1	Råd om sikkerhet og montering	125
2	Leveringsomfang	126
4	Tiltenkt bruk	127
5	Råd før montering	127
6	Montere parkeringsassistent	128
7	Koble til parkeringsassistent	128
8	Måleområde	130
9	Stille inn systemet	130
10	Teste funksjon	132
11	Bruke parkeringsassistent	133
12	Feilsøking	134
13	Garanti	135
14	Deponering	135
15	Tekniske spesifikasjoner	136

1 Råd om sikkerhet og montering

Følgende tekst supplerer illustrasjonene i vedlegget . Enkeltvis er de ingen fullstendig montasje- og betjeningsveiledning! Illustrasjonene i vedlegget må følges!

Følg rådene og betingelsene som kjøretøyprodusenten og motorvognprodusenten har bestemt!

Følg gjeldende lover og forskrifter.

Produsenten tar i følgende tilfeller intet ansvar for skader:

- Skader på produktet på grunn av mekanisk påvirkning og overspenninger
- Endringer på produktet uten at det er gitt uttrykkelig godkjenning av produsenten
- Bruk til andre formål enn det som er beskrevet i veiledningen



FORSIKTIG!

- Fest delene til parkeringsassistenten som er montert i kjøretøyet, slik at de ikke under noen omstendighet (bråbremsing, trafikkuhell) løsner og **skader passasjerene**.
- De delene til parkeringsassistenten som er montert i kjøretøyet, må ikke monteres i virkningsområdet til en kollisjonspute. Den kan bli skadet når kollisjonsputen utløses.
- Parkeringsassistenten skal gi deg ekstra hjelp, men apparatet fritar deg ikke fra ansvaret du har for å være forsiktig ved krypekjøring.



PASS PÅ!

- På kjøretøy med LED-baklys kan innmontering av parkeringsassistent føre til feil.
- Parkeringsassistenten er **ikke** egnet for montasje i metallstøtfangere.
- Styreelektronikken må ikke utsettes for fuktighet.
- Styreelektronikken må ikke installeres i umiddelbar nærhet av andre styringsmoduler.
- Følerne må ikke dekke noen signallamper.
- Ved montering av følerne må du påse at det ikke befinner seg noe fastmontert utstyr på kjøretøyet følernes registreringsområde. Visning av faste gjenstander som f.eks. trekkanordninger kan undertrykkes.
- Påfør litt fett i skrueforbindelsene til sensorene.

2 Leveringsomfang

Se fig. 1

Nr.	Antall	Betegnelse	Artikkelnr.
1	4	Ultralydfølere	9101500043
2	1	Styreelektronikk	
		MWE 820	9101500044
		MWE 860	9101500046
		MWE 890	9101500047
3	1	Høytaler	9101500051
4	1	Tilkoblingskabel styreelektronikk	
5	4	Tilkoblingskabel følere	
6	1	Festemateriell	
7	1	Hullbor 21,5 mm	
8	1	Display (bare MWE 860)	9101500045

3 Tilbehør

Tilgjengelig som tilbehør (ikke inkludert i leveransen):

Betegnelse	Artikkelnr.
Stanseverktøy 22 mm	9101500024
Ekstern knapp (bare MWE 890)	9101500049
Display (bare MWE 890)	9101500045
Forlengeskabel display, 5 m (bare MWE 860, 890)	9101500053
Tilkoblingskabel føler, 250 cm (bare MWE 820, 860)	9101500048
Tilkoblingskabel føler, 450 cm (bare MWE 890)	9101500050

4 Tiltent bruk

MagicWatch er en parkeringsassistent basert på ultralyd. Under rygging overvåker den område

- MWE820, 860: Bak kjøretøyet
- MWE890: Foran kjøretøyet

Den varsler akustisk og optisk om hindringer som registreres av apparatet.

MagicWatch er beregnet for innmontering i personbiler.

5 Råd før montering

5.1 Finn montasjested for følerne

Se fig. **3** til fig. **6**



MERK

For at apparatet skal fungere feilfritt er det viktig at følerne er korrekt rettet.

Når disse peker mot bakken, indikeres f. eks. ujevnheter i bakken som en hindring. Når de peker for langt oppover, registreres ikke eksisterende hindringer.

Vær oppmerksom på følgende ved montering:

- Avstanden mellom følerne og bakken skal være 50 cm (fig. **3**).
- For optimal funksjon bør følerens vinkel til kjørebane være 90° (fig. **3**). Vinkelen må ikke være mindre enn 90°, da vil kjørebane bli registrert som en hindring av føleren.
- Vær oppmerksom på plasseringen av følerne (fig. **4**).

5.2 Lakkere følerne

Se fig. **2**



MERK

Følerne kan lakkere. Produsenten anbefaler at følerne lakkere av et fagverksted.

6 Montere parkeringsassistent

Se fig. 7 til fig. 11

Forklaring til fig. 3



PASS PÅ! Fare for lakkskader!

- Ved stansing eller boring må ikke omgivelsestemperaturen være under 18 °C.
- Vi anbefaler å bruke stanseverktøyet.
- Påse at stanseverktøyet ikke vipper under bruk.

- Fjern gradene på hullene.
- Skrå av hullene litt for å få bedre gjennomføringsnøyaktighet nede på støtfangerens innside. Nå kan følerhuset skyves inn litt skrått nedover.

Forklaring til fig. 9



PASS PÅ! Fare på grunn av funksjonsfeil!

Vær oppmerksom på at følerne må ha en bestemt justering. Oversiden av føleren er merket med en ▲.

7 Koble til parkeringsassistent



MERK

- **MWE 820, 860:** På en del kjøretøyer fungerer ryggelyset bare når tenningen er på. I så fall må du slå på tenningen for å finne pluss- og jordledningen.
- **MWE 890:** Da hastighetssignalet ble koblet til styreelektronikken, deaktiveres følerne automatisk ved en hastighet på over ca. 15 km/t. Straks hastigheten synker under ca. 15 km/t, aktiveres følerne igjen.

MWE820, 860: Du finner hele koblingsskjemaet i fig. **12**.

Nr.	Betegnelsen
1	Styreelektronikk
2	Ryggelys
3	Svart/blå leder: Tilkobling til koblet pluss (+12 V)
4	Brun leder: Tilkobling til jord
5	Rød/grå leder: Tilkobling til mute-tilkoblingen til radioen (ekstra)
6	Gul leder fra høyttaler
7	Blå leder fra høyttaler
8	Display (bare MWE860)
9	Følere

MWE890: Du finner hele koblingsskjemaet i fig. **13**.

Nr.	Betegnelsen
1	Styreelektronikk
2	Svart/blå leder: Tilkobling til koblet pluss (+12 V)
3	Brun leder: Tilkobling til jord
4	Gul leder fra høyttaler
5	Blå leder fra høyttaler
6	Rød/grå leder: Tilkobling til mute-tilkoblingen til radioen (ekstra)
7	Gul/blå leder: Tilkobling til ryggelys (ekstra)
8	Svart/gul leder: Tilkobling til tachometerets hastighetssignal (ekstra)
9	Følere

8 Måleområde

Se fig. 14

Parkeringsassistentens registreringsområde er inndelt i fire soner:

- **Sone 1 (bare MWE820, 860)**

Denne sonen er det første grenseområdet. Her registreres normalt ikke små gjenstander eller gjenstander som reflekteres dårlig.

- **Sone 2**

I denne sonen registreres nesten alle objekter.

- **Sone 3**

I denne sonen registreres nesten alle gjenstander, men det kan komme gjenstander i følernes dødvinkel, eller som ikke registreres på grunn av sin beskaffenhet eller fordi de er for små.

- **Stoppsoner (4)**

Gjenstander i denne sonen fører til at parkeringsassistenten signaliserer «Stopp» med en kontinuerlig lyd.

I denne sonen registreres nesten alle gjenstander, men det kan komme gjenstander i følernes dødvinkel, eller som ikke registreres på grunn av sin beskaffenhet eller fordi de er for små.

Visning av faste gjenstander som f. eks. trekkandring for tilhenger kan undertrykkes.

9 Stille inn systemet

Styreelektronikken har en knapp (fig. 15 1) for innstilling av følgende parametere.

9.1 Justere følsomheten

- Slå på tenningen.
- Legg inn revers (**bare MWE820, 860**).
- Trykk på knappen i mindre enn to sekunder for å justere følsomheten i følgende rekkefølge:
 - Lav følsomhet: Høytaleren piper én gang
 - Middels følsomhet (standard): Høytaleren piper to ganger
 - Høy følsomhet: Høytaleren piper tre ganger

Når man trykker gjentatte ganger på knappen, endres følsomheten i rekkefølgen som er angitt ovenfor.

9.2 Undertrykke indikering av faste gjenstander (f.eks. trekkanordning) (bare MWE820, 860)



PASS PÅ!

Før justeringen må du forsikre deg om at det ikke befinner seg noen gjenstander i stoppsonen, f.eks. personer eller andre kjøretøy.

- Slå på tenningen.
- Legg inn revers.
- Trykk på knappen lenger enn to sekunder, men kortere enn fire sekunder, til høytaleren avgir en kort pipelyd.
- ✓ Høytaleren avgir flere korte pipetoner.
- ✓ Systemet initialiserer den faste gjenstanden.
- For å avslutte justeringen kobler du ut revers igjen etter minimum tre sekunder.

9.3 Gjenopprette fabrikkinnstilling

MWE820, 860

- Slå på tenningen.
- Legg inn revers.
- Trykk på knappen lenger enn fire sekunder.
- ✓ Høytaleren avgir flere pipetoner.
- Koble ut revers.
- Legg inn revers igjen.
- ✓ Systemet ble tilbakestilt til fabrikkinnstillingene.

MWE 890**MERK**

Hvis hastighetssignalet til tachometeret ble koblet fra styreelektronikken, må fabrikkinnstillingen gjenopprettes for å sikre at følerne skal fungere korrekt.

- ▶ Slå på tenningen.
- ▶ Trykk på knappen lenger enn to sekunder.
- ✓ Høytaleren avgir flere pipetoner.
- ▶ Slipp knappen igjen.
- ✓ Systemet ble tilbakestilt til fabrikkinnstillingene.

9.4 Speile displayindikering (bare MWE860)

Hvis hindringene vises speilvendt på displayet, går du fram på følgende måte:

- ▶ Plugg tilkoblingspluggene til følerne inn i kontaktene i styremodulen i omvendt rekkefølge (1 → 4, 2 → 3, 3 → 2, 4 → 1).

10 Teste funksjon

For å teste parkeringsassistenten kjører du sakte fram mot f.eks. en vegg.

**PASS PÅ!**

Ved første igangkjøring må du derfor være svært forsiktig og gjøre deg kjent med de forskjellige tonemønstrene (fig. **14**).

11 Bruke parkeringsassistent

De **bakre** følerne (MWE820, 860) aktiveres automatisk når revers legges inn, når tenningen er slått på og motoren går. Høytaleren avgir en dobbel lyd.

De **fremre** følerne (MWE 890) aktiveres automatisk straks tenningen slås på og kjørehastigheten ligger mellom 0 og ca. 15 km/t.

Alternativt kan styreelektronikken til de fremre følerne også kobles til ryggelyset eller en ekstern bryter i stedet for til hastighetssignalet.



MERK

For å bruke en av disse to funksjonene holder du knappen på styreelektronikken inne i 2 sekunder (se kapittel «Gjenopprette fabrikkinnstilling» på side 131).

Følerne er aktive i følgende tilfeller:

- Ca. 30 sekunder etter start av motoren
- Når revers er lagt inn og styreelektronikken er koblet til ryggelyset.
- Ca. 30 sekunder etter at revers er utkoblet
- Med en ekstern knapp (tilbehør) kan følerne kobles aktivt for et intervall på ca. 30 sekunder.

Med en gang det befinner seg en hindring i registreringsområdet, høres en jevn repeterende signaltone.

Når man kjører nærmere, forandres tonemønsteret og blinkefrekvensen etter hvilken sone hindringen befinner seg i, og signaliserer dermed en avstand (fig. 13).

MWE 860 (valgfritt MWE 890): I displayet lyser flere lamper jo nærmere hindringen kommer.



PASS PÅ!

Stans kjøretøyet umiddelbart og kontroller situasjonen (evt. gå ut) når følgende skjer ved krypkjøring:

Ved krypekjøring indikerer apparatet først og fremst en hindring, og tonemønsteret blir normalt raskere (f. eks. skifter fra sakte til middels tonemønster). Plutselig skifter signaltonen til sakte tonemønster eller det indikerer ingen hindring i det hele tatt lenger.

Det betyr at den opprinnelige hindringen ikke befinner seg i måleområdet til følerne lenger (konstruksjonsavhengig), men de kan fortsatt bli påkjørt.

12 Feilsøking

Apparatet fungerer ikke.

Spenningsforsyningskabelen (svart/blå og brun ledning) har ikke kontakt eller er feil tilkoblet.

- Kontroller forbindelsene.

Støpslene til følerne er ikke plagget inn i eller er plagget feil inn i styreelektronikken.

- Kontroller støpslene og plugg dem eventuelt inn slik at de går i lås.

Etter innkobling høres en lang tone (ca. 3 sek)

Én eller flere følere er defekte, eller de er ikke koblet til styreelektronikken lenger. Høyttaleren indikerer den defekte føleren ved hjelp av antall pipetoner etter den lange tonen: for eksempel tre pipetoner for føler 3.

- Kontroller støpslene og plugg dem eventuelt inn slik at de går i lås.
- Skift ut den eller de defekte følerne.



PASS PÅ!

Systemet fungerer ikke mer pålitelig når én eller flere følere er defekte.

Apparat melder hindringer feil.

Følgende årsaker kan føre til feilalarmer:

- For eksempel smuss eller frost på følerne.
- Rengjør følerne.
- Følerne ble montert feil.
- Tilpass innrettingen av eller høyden til følerne (fig. **3**).
- Følerne har kontakt med kjøretøysjassiet.
- Skill følerne fra sjassiet.

Gjenstander på kjøretøyet (f. eks. reservehjul) fører til feilalarmer.

- Still inn systemet slik at faste gjenstander ikke lenger indikeres (se kapittel «Stille inn systemet» på side 130).

13 Garanti

Lovmessig garantitid gjelder. Hvis produktet skulle være defekt, kontakter du produsentens filial i ditt land (du finner adressene på baksiden av veiledningen) eller til din faghandler.

Ved henvendelser vedrørende reparasjon eller garanti, må du sende med følgende:

- defekt komponenter,
- kopi av kvitteringen med kjøpsdato,
- årsak til reklamasjonen eller beskrivelse av feilen.

14 Deponering

► Lever emballasje til resirkulering så langt det er mulig.



Når du tar produktet ut av drift for siste gang, må du sørge for å få informasjon om deponeringsforskrifter hos nærmeste resirkuleringsstasjon eller hos din faghandler.

15 Tekniske spesifikasjoner

	MagicWatch		
	MWE820	MWE860	MWE890
Artikkelnr.:	9600000353	9600000354	9600000355
Måleområde:	ca. 0,40 m til 1,6 m		ca. 0,35 m til 0,75 m
Ultralydfrekvens:	40 kHz		
Forsyningsspenning:	10 – 24 V		
Strømforbruk:	maks. 120 mA		
Driftstemperatur:	–25 °C til +70 °C		
Godkjenning:	 030117		



MERK

Følerne kan lakkres. Produsenten anbefaler at følerne lakkres av et fagverksted.

Lue tämä ohje huolellisesti läpi ennen asennusta ja käyttöönottoa ja säilytä ohje hyvin. Jos myyt tuotteen eteenpäin, anna ohje tällöin edelleen uudelle käyttäjälle.

Sisällysluettelo

1	Turvallisuus- ja kiinnitysohjeita	138
2	Toimituskokonaisuus.	139
4	Määräysten mukainen käyttö	140
5	Ohjeita ennen asennusta	140
6	Parkkitutkan asennus	141
7	Parkkitutkan liitäntä	141
8	Tarkkailualue	143
9	Järjestelmän säätäminen	143
10	Toiminnan testaaminen.	145
11	Parkkitutkan käyttö	146
12	Vianetsintä	147
13	Tuotevastuu.	148
14	Hävittäminen	148
15	Tekniset tiedot.	149

1 Turvallisuus- ja kiinnitysohjeita

Seuraavat tekstit täydentävät osittain kuvia oheislehtisessä. Ne eivät yksistään ole täydellisiä asennus- ja käyttöohjeita! Huomioi aina oheislehtisen kuvat!

Noudata ajoneuvovalmistajan ja autoalan ammattiipiirien antamia turvallisuusohjeita ja vaatimuksia!

Noudata voimassa olevia lakeja ja määräyksiä.

Valmistaja ei ota mitään vastuuta vahingoista seuraavissa tapauksissa:

- tuotteeseen mekaanisen vaikutuksen tai ylijännitteiden takia syntyneet vauriot
- tuotteeseen ilman valmistajan nimenomaista lupaa tehdyt muutokset
- käyttö muuhun kuin käyttöohjeessa ilmoitettuun tarkoitukseen



HUOMIO!

- Kiinnitä parkkitutkan ajoneuvoon asennettavat osat siten, että ne eivät missään tapauksessa (äkkijarrutus, liikenneonnettomuus) irtoa ja johda **ajoneuvon matkustajien loukkaantumiseen**.
- Älä asenna parkkitutkan ajoneuvoon asennettavia osia turvatyynyn vaikutusalueelle. Muuten ilmatyynyn laukeamisesta aiheutuu loukkaantumisvaara.
- Parkkitutka on tarkoitettu lisäavuksi, ts. laite ei vapauta sinua velvollisuudesta olla erityisen varovainen kääntyessäsi.



HUOMAUTUS!

- LED-takavalloilla varustetuissa ajoneuvoissa parkkitutkan asennus voi johtaa häiriöihin.
- Parkkitutka **ei** sovi asennettavaksi metallisin puskureihin.
- Ohjauselektronikka ei saa joutua alttiiksi minkäänlaiselle kosteudelle.
- Ohjauselektronikkaa ei saa asentaa muiden ohjausmoduulien välittömään läheisyyteen.
- Anturit eivät saa peittää mitään merkkilamppuja.
- Huomioi anturien asennuksessa, että mitkään ajoneuvoon kiinteästi kiinnitetty esineet eivät ole anturien tarkkailualueella. Kiinteiden esineiden kuten esim. vetokoukun näytön voi poistaa.
- Laita anturien pistokeliitoksiin hieman rasvaa.

2 Toimituskokonaisuus

Ks. kuva **1**

Nro	Määrä	Nimitys	Tuotenro.
1	4	Ultraäänianturit	9101500043
2	1	Ohjauselektronikka MWE 820 MWE 860 MWE 890	9101500044 9101500046 9101500047
3	1	Kaiuttimet	9101500051
4	1	Ohjauselektroniiikan liitäntäjohto	
5	4	Anturien liitäntäjohto	
6	1	Kiinnitysmateriaali	
7	1	Sydänpora 21,5 mm	
8	1	Näyttö (vain MWE 860)	9101500045

3 Lisävarusteet

Saatavissa lisävarusteena (ei sisälly toimituskokonaisuuteen):

Nimitys	Tuotenumero
Stanssaustyökalu 22 mm	9101500024
Ulkoinen anturi (vain MWE 890)	9101500049
Näyttö (vain MWE 890)	9101500045
Näytön jatkokaapecti, 5 m (vain MWE 860, 890)	9101500053
Anturin jatkokaapecti, 250 cm (vain MWE 820, 860)	9101500048
Anturin jatkokaapecti, 450 cm (vain MWE 890)	9101500050

4 Määräysten mukainen käyttö

MagicWatch on ultraääneen perustuva parkkitutka. Se tarkkailee ympäristöä kääntelyn aikana

- MWE820, 860: ajoneuvon takana
- MWE890: ajoneuvon edessä

Laite varoittaa akustisesti ja optisesti havaitsemistaan esteistä.

MagicWatch on suunniteltu asennettavaksi henkilöautoihin.

5 Ohjeita ennen asennusta

5.1 Antureiden asennuspaikan määrittäminen

Ks. kuva **3** – kuva **6**



OHJE

Anturien oikea asennus on laitteen moitteettoman toiminnan kannalta tärkeätä.

Jos ne osoittavat maahan, esim. alustan epätasaisuudet ilmaistaan esteiksi. Jos ne osoittavat liian ylös, todellisia esteitä ei tunnisteta.

Huomioi asennuksessa seuraavat tiedot:

- Anturien etäisyyden maahan tulisi olla 50 cm (kuva **3**).
- Optimaalisen toiminnon takaamiseksi tulisi anturin olla 90° kulmassa ajoväylään nähden (kuva **3**). Kulman ei saa olla alle 90°, koska muutoin anturi ilmaisee ajoväylän esteeksi.
- Huomaa anturien sijoittaminen (kuva **4**).

5.2 Antureiden maalaminen

Ks. kuva **2**



OHJE

Anturit voi maalata. Valmistaja suosittelee, että annat huoltoliikkeen maalata anturit.

6 Parkkitutkan asennus

Ks. kuva **7** – kuva **11**

Lisäys, kuva **8**



HUOMAUTUS! Maalivaurion vaara!

- Ympäristön lämpötila ei saa olla stanssattaessa tai porattaessa alle 18 °C.
- Suosittelemme stanssaustyökalun käyttämistä.
- Huolehdi siitä, että stanssaustyökalu ei mene käytettäessä vinoon.

- Pyöristä porattujen reikien reunat.
- Viistoa poratut reiät hieman puskurin sisäpuolelta istuvuuden parantamiseksi. Anturin runko voidaan nyt työntää sisään hieman alaviistossa.

Lisäys, kuva **9**



HUOMAUTUS! Toimintahäiriön vaara!

Huomaa, että anturien täytyy olla tietyssä asennossa. Anturin yläpuoli on merkitty ▲:llä.

7 Parkkitutkan liitântä



OHJE

- **MWE 820, 860:** Joissakin ajoneuvoissa peruutusvalo toimii vain, kun virta on päällä. Tässä tapauksessa sinun tulee kytkeä virta päälle plus- ja maajohtimen selvittämiseksi.
- **MWE 890:** Jos nopeussignaali on liitetty ohjauselektronikkaan, anturit deaktivoidaan automaattisesti, kun nopeus ylittää n. 15 km/h. Anturit aktivoidaan uudelleen, kun nopeus alittaa jälleen n. 15 km/h.

MWE 820, 860: Kokonaisliitäntäkaavion löydät seuraavasta kohdasta: kuva **12**.

Nro	Nimitys
1	Ohjauselektroniiikka
2	Peruutusvalo
3	Musta/sininen johdin: Liitäntä kytkettyyn plussaan (+12 V)
4	Ruskea johdin: Liitäntä maahan
5	Punainen/harmaa johdin: Liitäntä radion mykistysliitäntään (optionaalinen)
6	Keltainen johdin kaiuttimesta
7	Sininen johdin kaiuttimesta
8	Näyttö (vain MWE 860)
9	Anturit

MWE 890: Kokonaisliitäntäkaavion löydät seuraavasta kohdasta: kuva **13**.

Nro	Nimitys
1	Ohjauselektroniiikka
2	Musta/sininen johdin: Liitäntä kytkettyyn plussaan (+12 V)
3	Ruskea johdin: Liitäntä maahan
4	Keltainen johdin kaiuttimesta
5	Sininen johdin kaiuttimesta
6	Punainen/harmaa johdin: Liitäntä radion mykistysliitäntään (optionaalinen)
7	Keltainen/sininen johdin: Liitäntä peruutusvaloon (optio)
8	Musta/keltainen johdin: Liitäntä nopeusmittarin nopeussignaaliin (optio)
9	Anturit

8 Tarkkailualue

Ks. kuva 14

Parkkitutkan tarkkailualue on jaettu neljään vyöhykkeeseen:

- **Vyöhyke 1 (vain MWE820, 860)**

Tämä vyöhyke muodostaa ensimmäisen raja-alueen. Tällä alueella pienet tai huonosti heijastavat esineet jäävät mahdollisesti havaitsematta.

- **Vyöhyke 2**

Tällä vyöhykkeellä ilmaistaan lähes kaikki kohteet.

- **Vyöhyke 3**

Tällä vyöhykkeellä ilmaistaan lähes kaikki kohteet, mutta joitain esteitä voi jäädä antureiden kuolleeseen kulmaan tai niitä ei havaita ominaisuuksiensa tai kokonsa vuoksi.

- **Pysäytysvyöhyke (4)**

Esineet tällä alueella aiheuttavat parkkitutkan jatkuvan "stop"-signaalin.

Tällä vyöhykkeellä ilmaistaan lähes kaikki kohteet, mutta joitain esteitä voi jäädä antureiden kuolleeseen kulmaan tai niitä ei havaita ominaisuuksiensa tai kokonsa vuoksi.

Kiinteiden esineiden, esim. vetokoukun näytön voi poistaa.

9 Järjestelmän säätäminen

Ohjauselektronikassa on painike (kuva 15 1) seuraavien parametrien säätämistä varten.

9.1 Herkkyiden säätäminen

- Kytke sytytys päälle.
- Laita peruutusvaihte päälle (**vain MWE 820, 860**).
- Paina painiketta alle kaksi sekuntia herkkyiden säätämiseksi seuraavassa järjestyksessä:
 - Pieni herkkyys: kovaääninen piippaa kerran
 - Keskisuuri herkkyys (vakio): kovaääninen piippaa kaksi kertaa
 - Suuri herkkyys: kovaääninen piippaa kolme kertaa

Herkkyyttä muutetaan yläpuolelta ilmenevässä järjestyksessä, kun painiketta painetaan toistuvasti.

9.2 Kiinteiden esineiden (esim. vetokoukku) ilmaisun häivytyks (vain MWE820, 860)



HUOMAUTUS!

Varmista ennen säätämistä, että pysäytysalueella ei ole mitään ylimääräisiä kohteita kuten henkilöitä tai muita ajoneuvoja

- Kytke sytytys päälle.
- Laita peruutusvaihde päälle.
- Paina painiketta yli kaksi sekuntia mutta alle neljä sekuntia kunnes kovaääninen piippaa lyhyesti.
- ✓ Kovaäänisestä kuuluu toistuvasti lyhyitä piippauksia.
- ✓ Järjestelmä alustaa kiinteän kohteen.
- Säädön päättämiseksi kytke peruutusvaihde jälleen pois päältä vähintään kolme sekuntia kestäneen toiminnon jälkeen.

9.3 Tehdasasetusten palautus

MWE820, 860

- Kytke sytytys päälle.
- Laita peruutusvaihde päälle.
- Paina painiketta yli neljä sekuntia.
- ✓ Kovaäänisestä kuuluu toistuvasti piippauksia.
- Ota peruutusvaihde pois päältä.
- Laita peruutusvaihde taas päälle.
- ✓ Järjestelmä palautettiin tehdasasetuksille.

MWE890**OHJE**

Jos nopeusmittarin nopeussignaali on irrotettu ohjauselektroniikasta, tehdasasetukset täytyy palauttaa anturien asianmukaisen toiminnan takaamiseksi.

- Kytke sytytys päälle.
- Paina painiketta yli kaksi sekuntia.
- ✓ Kovaäänisestä kuuluu toistuvasti piippauksia.
- Vapauta näppäin jälleen.
- ✓ Järjestelmä palautettiin tehdasasetuksille.

9.4 Näytön pelaaminen (vain MWE860)

Jos esteet näytetään näytöllä väärin päin, menettele seuraavalla tavalla:

- Työnnä anturien liitäntäpistokkeet käänteisessä järjestyksessä ohjausmoduulin liittämiin (1 → 4, 2 → 3, 3 → 2, 4 → 1).

10 Toiminnan testaaminen

Testaa pysäköintitutka esim. ajamalla hitaasti kohti seinää.

**HUOMAUTUS!**

Ota järjestelmä käyttöön ensimmäisen kerran äärimmäisen varovasti ja tutustu erilaisiin äänisarjoihin (kuva **14**).

11 Parkkitutkan käyttö

Takimmaiseturit (MWE 820, 860) aktivoidaan automaattisesti, kun peruutusvaihte laitetaan päälle, jos sytytys on päällä tai moottori käynnissä. Kaiuttimesta kuuluu kaksoisääni.

Etummaiseturit (MWE 890) aktivoidaan automaattisesti, kun sytytys on päällä ja ajonopeus välillä 0 – n. 15 km/h.

Vaihtoehtoisesti etummaisten anturien ohjauselektronikka voidaan yhdistää nopeussignaalin sijaan myös peruutusvaloon tai se voidaan liittää ulkoiseen kytkimeen.



OHJE

Ennen kuin käytät kumpaakaan näistä toiminnoista, pidä ohjauselektronikan painike painettuna 2 sekunnin ajan (katso kap. ”Tehdasasetusten palautus” sivulla 144).

Anturit on aktivoitu seuraavissa tapauksissa:

- Noin 30 sekunnin ajan moottorin käynnistämisestä
- Kun peruutusvaihte on laitettu päälle ja ohjauselektronikka on liitetty peruutusvaloon.
- Noin 30 sekunnin ajan peruutusvaihteen pois ottamisesta
- Ulkoisen painikkeen (lisävaruste) avulla anturit voidaan aktivoida n. 30 sekunnin ajaksi.

Samanlaisena toistuva merkkiääni alkaa kuulua heti, kun tarkkailualueella on este.

Lähestyttäessä estettä äänisarja ja vilkkumistaajuus muuttuvat ja ilmaisevat etäisyyden sen mukaan, millä vyöhykkeellä este kulloinkin on (kuva **14**).

MWE 860 (valinnainen MWE 890): Näytöllä palaa sitä useampi LED mitä lähemmäs estettä tullaan.



HUOMAUTUS!

Pysäytä ajoneuvo heti ja tarkasta tilanne (nouse tarvittaessa ulos), jos pysäköitäessä tapahtuu seuraavaa:

Ajoneuvoa käännettäessä laite ilmaisee ensin esteen ja äänisarja nopeutuu aivan normaalisti (esim. vaihtuu hitaasta keskiäänisarjalle). Äkkiä merkkiääni hyppää hitaalle äänisarjalle tai se ei ilmaise enää lainkaan esteitä.

Tämä tarkoittaa, että alkuperäinen este ei ole enää anturien tarkkailualueella (johtuu rakenteesta), mutta siihen voidaan silti yhä törmätä.

12 Vianetsintä

Laite ei toimi.

Jännitteensyöttöjohdolla (musta/sininen tai ruskea johdin) ei ole kontaktia tai se on liitetty väärin.

- Tarkasta liitännät.

Anturien pistokkeita ei ole liitetty ohjauselektroniikkaan tai ne on liitetty väärin.

- Tarkista pistokkeet ja työnnä ne tarvittaessa siten paikalleen, että ne loksahtavat kiinni.

Virran kytkemisen jälkeen kuuluu pitkä ääni (n. 3 s)

Yksi tai useampi anturi on viallinen tai ei enää yhdistetty ohjauselektroniikkaan. Kovaääninen osoittaa viallisen anturin pitkää ääntä seuraavien piippausäänten lukumäärän avulla: esimerkiksi kolme piippausta anturille 3.

- Tarkista pistokkeet ja työnnä ne tarvittaessa siten paikalleen, että ne loksahtavat kiinni.
- Vaihda vialliset anturit.



HUOMAUTUS!

Järjestelmä ei toimi enää luotettavasti, jos yksi tai useampi anturi on viallinen.

Laite ilmoittaa esteet väärin.

Seuraavat seikat voivat johtaa virrehälytyksiin:

- Esimerkiksi likaa tai jäätä antureilla.
- Puhdista kaikki anturit.
- Anturit asennettiin väärin.
- Sovita antureiden suuntaus tai korkeus (kuva **3**).
- Antureilla on kontakti ajoneuvon koriin.
- Erotta anturit korista.

Ajoneuvon esineet (esim. vararengas) johtavat virrehälytykseen.

- Säädä järjestelmä niin, että kiinteitä kohteita ei enää näytetä (katso kap. ”Järjestelmän säätäminen” sivulla 143).

13 Tuotevastuu

Laitetta koskee lakisääteinen takuu-aika. Jos tuote sattuu olemaan viallinen, käänny maasi valmistajan toimipisteen puoleen (osoitteet käyttöohjeen takasivulla) tai ota yhteyttä omaan ammattikauppiaseesi.

Korjaus- ja takuukäsittelyä varten lähetä mukana seuraavat:

- vialliset osat,
- kopio ostolaskusta, jossa näkyy ostopäivä,
- valitusperuste tai vikakuvaus.


14 Hävittäminen

- Vie pakkausmateriaali mahdollisuuksien mukaan vastaavan kierrätysjätteen joukkoon.



Jos poistat tuotteen lopullisesti käytöstä, pyydä tietoa sen hävittämistä koskevista määräyksistä lähimmästä kierrätyskeskuksesta tai ammattiliikkeestäsi.

15 Tekniset tiedot

	MagicWatch		
	MWE820	MWE860	MWE890
Tuotenro.:	9600000353	9600000354	9600000355
Tarkkailualue:	n. 0,40 m – 1,6 m		n. 0,35 m – 0,75 m
Ultraäänitaajuus:	40 kHz		
Syöttöjännite:	10 – 24 V		
Virrankulutus:	korkeintaan 120 mA		
Käyttölämpötila:	–25 °C – +70 °C		
Hyväksyntä:	 030117		



OHJE

Anturit voi maalata. Valmistaja suosittelee, että annat huoltoliikkeen maalata anturit.

Прочтите данную инструкцию перед монтажом и вводом в эксплуатацию и сохраните ее. В случае передачи продукта передайте инструкцию следующему пользователю.

Оглавление

1	Указания по безопасности и монтажу	151
2	Объем поставки	152
4	Использование по назначению	153
5	Указания перед монтажом	153
6	Монтаж парковочного радара	154
7	Подключение парковочного радара	154
8	Диапазон охвата	156
9	Настройка системы	156
10	Проверка работы	158
11	Использование парковочного радара	159
12	Локализация неисправностей	160
13	Гарантия	161
14	Утилизация	162
15	Технические данные	162

1 Указания по безопасности и монтажу

Следующие тексты лишь дополняют иллюстрации на вкладыше. Сами они не являются полными указаниями по монтажу и эксплуатации! Обязательно принимайте во внимание иллюстрации на вкладыше!

Соблюдайте указания по технике безопасности и требования, предписанные изготовителем автомобиля и автомастерской!

Соблюдайте требования действующего законодательства.

Изготовитель не несет никакой ответственности за ущерб в следующих случаях:

- Повреждения продукта из-за механических воздействий и перенапряжений
- Изменения в продукте, выполненные без однозначного разрешения изготовителя
- Использование в целях, отличных от указанных в данной инструкции



ОСТОРОЖНО!

- Крепите установленные в автомобиле детали парковочного радара так, чтобы они ни при каких условиях (резком торможении, аварии) не могли отсоединиться, тем самым **приводя к травмам пассажиров.**
- Не крепите устанавливаемые в автомобиле детали парковочного радара в радиусе действия надувных подушек безопасности. В противном случае имеется опасность травмирования в случае срабатывания надувной подушки безопасности.
- Парковочный радар служит для дополнительной поддержки, т. е. он не освобождает вас от обязанности соблюдать повышенную осторожность при маневрировании.



ВНИМАНИЕ!

- В автомобилях со светодиодными задними фонарями установка парковочного радара может приводить к неисправностям.
- Парковочный радар **не** пригоден для монтажа в металлических бамперах.
- Электроника управления не должна подвергаться действию влаги.
- Управляющую электронику запрещается устанавливать в непосредственной близости от других модулей управления.
- Датчики не должны перекрывать сигнальные лампы.

- При монтаже датчиков следите за тем, чтобы ни один из стационарно установленных на автомобиле объектов не находился в диапазоне охвата датчиков. Сигнализацию стационарных объектов, например, тягово-сцепного устройства, можно исключить.
- Добавьте смазку в штекерное соединение датчиков.

2 Объем поставки

См. рис. 1

№	Кол-во	Наименование	Арт. №
1	4	Ультразвуковые датчики	9101500043
2	1	Электроника управления	
		MWE 820	9101500044
		MWE 860	9101500046
		MWE 890	9101500047
3	1	Громкоговоритель	9101500051
4	1	Соединительный кабель электроники управления	
5	4	Соединительный кабель датчиков	
6	1	Крепежный материал	
7	1	Центровое сверло 21,5 мм	
8	1	Дисплей (только MWE 860)	9101500045

3 Принадлежности

Продается в качестве принадлежности (не входит в объем поставки):

Наименование	Арт. №
Инструмент пробивки отверстий 22 мм	9101500024
Внешний выключатель (только MWE 890)	9101500049
Дисплей (только MWE 890)	9101500045
Удлинительный кабель дисплея, 5 м (только MWE 860, 890)	9101500053
Соединительный кабель датчика, 250 см (только MWE 820, 860)	9101500048
Соединительный кабель датчика, 450 см (только MWE 890)	9101500050

4 Использование по назначению

MagicWatch представляет собой парковочный радар на базе ультразвуковой технологии. Он контролирует пространство при маневрировании

- MWE820, 860: позади автомобиля
- MWE890: спереди автомобиля

Он подает акустическую и оптическую сигнализацию препятствий, распознанных прибором.

MagicWatch предназначен для монтажа в легковых автомобилях.

5 Указания перед монтажом

5.1 Определение места монтажа датчиков

См. рис. **3** – рис. **6**



УКАЗАНИЕ

Важным условием бесперебойной работы прибора является правильная регулировка датчиков.

Если они обращены к земле, то, например, неровности дороги распознаются как препятствия. Если они подняты слишком сильно вверх, то имеющиеся препятствия не распознаются.

При монтаже соблюдайте следующие указания:

- Расстояние от датчиков до земли должно составлять 50 см (рис. **3**).
- Для оптимального функционирования угол датчика к дорожной поверхности должен составлять 90° (рис. **3**). Угол не должен быть меньше 90° , т. к. тогда дорожная поверхность интерпретируется датчиком как препятствие.
- Обращайте внимание на расположение датчиков (рис. **4**).

5.2 Лакирование датчиков

См. рис. **2**



УКАЗАНИЕ

Разрешается покрывать датчики лаком. Изготовитель рекомендует доверять лакирование датчиков специализированной мастерской.

6 Монтаж парковочного радара

См. рис. 7 – рис. 11

Дополнение к рис. 3



ВНИМАНИЕ! Опасность повреждений лакового покрытия!

- Окружающая температура при пробивке или сверлении отверстий не должна быть ниже 18 °С.
- Рекомендуется использовать инструмент для пробивки отверстий.
- Следите за тем, чтобы не наклонять инструмент для пробивки отверстий.

➤ Зачистите отверстия.

➤ Для лучшей точности пригонки слегка скосите отверстия внизу на внутренней стороне бампера. Теперь корпус датчика может быть легко вставлен с наклоном вниз.

Дополнение к рис. 9



ВНИМАНИЕ! Опасность неисправности!

Учтите, что датчики должны иметь определенную направленность. Верхняя сторона датчика обозначена посредством ▲.

7 Подключение парковочного радара



УКАЗАНИЕ

- **MWE 820, 860:** В некоторых автомобилях фара заднего хода работает только при включенном зажигании. В этом случае для распознавания положительного и заземляющего провода необходимо включить зажигание.
- **MWE 890:** Если сигнал скорости был присоединен к электронике управления, то датчики автоматически деактивируются при скорости свыше 15 км/ч.
Если скорость падает ниже 15 км/ч, то датчики снова активируются.

MWE 820, 860: Общая схема соединений приведена на рис. **12**.

№	Наименование
1	Электроника управления
2	Фара заднего хода
3	Черно-синяя жила: присоединение к включенному положительному полюсу (+12 В)
4	Коричневая жила: соединение с корпусом
5	Красно-серая жила: присоединение к разъему отключения звука радиоприемника)
6	Желтая жила громкоговорителя
7	Синяя жила громкоговорителя
8	Дисплей (только MWE 860)
9	Датчики

MWE 890: Общая схема соединений приведена на рис. **13**.

№	Наименование
1	Электроника управления
2	Черно-синяя жила: присоединение к включенному положительному полюсу (+12 В)
3	Коричневая жила: соединение с корпусом
4	Желтая жила громкоговорителя
5	Синяя жила громкоговорителя
6	Красно-серая жила: присоединение к разъему отключения звука радиоприемника)
7	Желто-синяя жила: присоединение к фаре заднего хода (опция)
8	Черно-желтая жила: присоединение к сигналу скорости спидометра (опция)
9	Датчики

8 Диапазон охвата

См. рис. 14

Диапазон охвата парковочного радара разделен на четыре зоны:

- **Зона 1 (только MWE820, 860)**

Эта зона – первая граничная область. В ней, при известных обстоятельствах, не распознаются небольшие или плохо отражающие предметы.

- **Зона 2**

В этой зоне отображаются почти все объекты.

- **Зона 3**

В этой зоне отображаются почти все объекты, но некоторые предметы могут попасть в «мертвую зону» датчиков или не регистрируются по причине их свойств или малого размера.

- **Зона остановки (4)**

Обнаружение объектов в этой зоне ведет к тому, что парковочный радар непрерывным сигналом «Стоп» предупреждает о необходимости остановки.

В этой зоне отображаются почти все объекты, но некоторые предметы могут попасть в «мертвую зону» датчиков или не регистрируются по причине их свойств или малого размера.

Сигнализацию стационарных объектов, например, тягово-сцепного устройства, можно исключить.

9 Настройка системы

Электроника управления имеет кнопку (рис. 15 1) для настройки следующих параметров.

9.1 Настройка чувствительности

- ▶ Включите зажигание.
- ▶ Включите передачу заднего хода (**только MWE820, 860**).
- ▶ Нажмите кнопку менее чем на две секунды, чтобы настроить чувствительность в следующей последовательности:
 - Низкая чувствительность: громкоговоритель пищит один раз
 - Средняя чувствительность (стандарт): громкоговоритель пищит два раза
 - Высокая чувствительность: громкоговоритель пищит три раза

Повторным нажатием кнопки чувствительность изменяется в указанной выше последовательности.

9.2 **Исключение сигнализации стационарных объектов (например, тягово-сцепного устройства) (только MWE820, 860)**



ВНИМАНИЕ!

Перед настройкой убедитесь в том, что в зоне остановки отсутствуют дополнительные объекты, например, люди или другие автомобили.

- ▶ Включите зажигание.
- ▶ Включите передачу заднего хода.
- ▶ Нажимайте кнопку более двух секунд, но менее четырех секунд, пока громкоговоритель коротко не пропищит.
- ✓ Громкоговоритель повторно подает короткие звуковые сигналы.
- ✓ Система инициализирует стационарный объект.
- ▶ Для завершения настройки выключите передачу заднего хода не менее чем через три секунды работы.

9.3 **Восстановление заводской настройки**

MWE820, 860

- ▶ Включите зажигание.
- ▶ Включите передачу заднего хода.
- ▶ Нажмите кнопку более чем на четыре секунды.
- ✓ Громкоговоритель повторно подает звуковые сигналы.
- ▶ Выключите передачу заднего хода.
- ▶ Снова включите передачу заднего хода.
- ✓ Система была сброшена на заводские настройки.

MWE890**УКАЗАНИЕ**

Если сигнал скорости спидометра был отсоединен от электроники управления, то для обеспечения правильной работы датчиков необходимо восстановить заводскую настройку.

- ▶ Включите зажигание.
- ▶ Нажмите кнопку более чем на две секунды.
- ✓ Громкоговоритель повторно подает звуковые сигналы.
- ▶ Отпустите кнопку.
- ✓ Система была сброшена на заводские настройки.

9.4 Зеркальное отображение индикации на дисплее MWE860)

Если препятствия отображаются на экране зеркально-перевернутыми, то соблюдайте следующий порядок действий:

- ▶ Вставьте штекеры датчики в обратной последовательности в гнезда на блоке управления (1 → 4, 2 → 3, 3 → 2, 4 → 1).

10 Проверка работы

Для проверки работы парковочного радара медленно приблизьтесь на автомобиле к стене.

**ВНИМАНИЕ!**

При первоначальном вводе в работу соблюдайте предельную осторожность и ознакомьтесь с различными звуковыми сигналами (рис. 14).

11 Использование парковочного радара

Задние датчики (MWE 820, 860) активируются автоматически при включении передачи заднего хода, если включено зажигание или работает двигатель. Громкоговоритель подает двоянный звуковой сигнал.

Передние датчики (MWE 890) автоматически активируются, если включено зажигание и скорость движения составляет от 0 до 15 км/ч.

В качестве опции электроника управления передних датчиков вместо сигнала скорости может быть соединена с фарой заднего хода или присоединена к внешнему выключателю.



УКАЗАНИЕ

Перед использованием одной из этих двух функций необходимо нажать на 2 секунды кнопку на электронике управления (см. гл. «Восстановление заводской настройки» на стр. 157).

Датчики активны в следующих случаях:

- В течение 30 секунд после пуска двигателя
- Если включена передача заднего хода, и электроника управления присоединена к фаре заднего хода
- В течение 30 секунд после выключения передачи заднего хода
- С помощью внешней кнопки (принадлежность) датчики могут активироваться на время около 30 секунд.

Как только в диапазон охвата попадает препятствие, звучит равномерно повторяющийся звуковой сигнал.

При приближении к препятствию, в зависимости от того, в какой зоне сейчас находится препятствие, звуковая сигнализация и частота мигания изменяются, тем самым указывая расстояние (рис. 14).

MWE 860 (необязательный MWE 890): На дисплее загорается тем больше светодиодов, чем ближе приближается препятствие.

**ВНИМАНИЕ!**

Незамедлительно остановите автомобиль и проверьте ситуацию (при необходимости, выйдите из автомобиля), если при маневрировании происходит следующее:

При маневрировании прибор вначале сигнализирует препятствие, и последовательность звуковых сигналов становится абсолютно нормально быстрее (например, переход с низкой на среднюю частоту подачи звуковых сигналов). Внезапно частота подачи звуковых сигналов уменьшается, либо прибор вообще перестает сигнализировать препятствие.

Это означает, что первоначальное препятствие более не находится в диапазоне охвата датчиков (что вызвано конструктивными особенностями), но все еще существует опасность столкновения с ним.

12 Локализация неисправностей

Прибор не работает.

Кабель электропитания (черно-синий и коричневый провод) не имеет контакта или неверно подключен.

- Проверьте соединения.

Штекеры датчиков не вставлены в блок электроники управления или вставлены неправильно.

- Проверьте штекеры и, при необходимости, вставьте их повторно так, чтобы они зафиксировались.

После включения зажигания раздается продолжительный сигнал (ок. 3 с)

Один или несколько датчиков неисправны или более не соединены с электроникой управления. Громкоговоритель указывает количеством коротких сигналов после длительного сигнала неисправный датчик: например, три коротких сигнала означают датчик 3.

- Проверьте штекеры и, при необходимости, вставьте их повторно так, чтобы они зафиксировались.
- Замените неисправный датчик или датчики.

**ВНИМАНИЕ!**

Система более не работает надежно, если неисправен один или несколько датчиков.

Прибор неверно сигнализирует препятствия.

Следующие причины могут приводить к неверной сигнализации:

- например, грязь или лед на датчиках
- Очистите датчики.

- Датчики были неправильно установлены.
- Измените ориентацию или высоту датчиков (рис. **3**).

- Датчики имеют контакт с рамой ходовой части.
- Устраните контакт датчиков с рамой ходовой части.

Объекты на автомобиле (например, запасное колесо) вызывают неверные сигналы:

- Настройте систему так, чтобы стационарные объекты более не показывались (см. гл. «Настройка системы» на стр. 156).

13 Гарантия

Действителен установленный законом срок гарантии. Если продукт неисправен, обратитесь в представительство изготовителя в Вашей стране (адреса см. на оборотной стороне инструкции) или в торговую организацию.

В целях проведения ремонта или гарантийного обслуживания Вы должны также послать следующее:

- неисправные компоненты,
- копию счета с датой покупки,
- причину рекламации или описание неисправности.

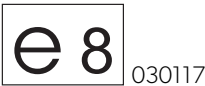
14 Утилизация

- По возможности, выкидывайте упаковочный материал в мусор, подлежащий вторичной переработке.



Если Вы окончательно выводите продукт из эксплуатации, то получите информацию в ближайшем центре по вторичной переработке или в торговой сети о соответствующих предписаниях по утилизации.

15 Технические данные

	MagicWatch		
	MWE820	MWE860	MWE890
Арт. №:	9600000353	9600000354	9600000355
Диапазон охвата:	ок. 0,40 м до 1,6 м		ок. 0,35 м до 0,75 м
Частота ультразвуковых колебаний:	40 кГц		
Напряжение питания:	10 – 24 В		
Потребляемый ток:	макс. 120 мА		
Рабочая температура:	от – 25 °С до +70 °С		
Допуск:			



УКАЗАНИЕ

Разрешается покрывать датчики лаком. Изготовитель рекомендует доверять лакирование датчиков специализированной мастерской.

Przed instalacją i uruchomieniem urządzenia należy uważnie przeczytać niniejszą instrukcję. Instrukcję należy zachować. W razie przekazywania urządzenia należy ją udostępnić kolejnemu nabywcy.

Spis treści

1	Zasady bezpieczeństwa i montażu	164
2	Zakres dostawy	165
4	Użytkowanie zgodne z przeznaczeniem	166
5	Zasady do uwzględnienia przed montażem	167
6	Montaż systemu parkowania	168
7	Podłączanie systemu parkowania	168
8	Zasięg wykrywania	170
9	Ustawienia systemu	170
10	Testowanie działania	172
11	Korzystanie z systemu parkowania	173
12	Wykrywanie usterek	174
13	Gwarancja	175
14	Utylizacja	175
15	Dane techniczne	176

1 Zasady bezpieczeństwa i montażu

Poniższe teksty są jedynie uzupełnieniem do rysunków w załączniku. Same nie stanowią kompletnej instrukcji montażu i obsługi! Należy koniecznie uwzględnić rysunki znajdujące się w załączniku!

Należy stosować się do zasad bezpieczeństwa i dokumentacji udostępnianych przez producenta i warsztaty serwisowe!

Należy stosować się do obowiązujących przepisów ustawowych.

Producent nie odpowiada za szkody spowodowane:

- uszkodzeniem produktu w sposób mechaniczny lub spowodowany przeciążeniami elektrycznymi
- zmianami dokonanymi w produkcie bez wyraźnej zgody producenta
- użytkowaniem w celach innych niż opisane w niniejszej instrukcji



OSTROŻNIE!

- Części systemu parkowania montowane w pojeździe należy zamontować tak, aby w żadnych warunkach nie mogło dojść do ich poluzowania (ostre hamowanie, wypadek komunikacyjny), a w konsekwencji do **obrażeń ciała pasażerów**.
- Elementy systemu parkowania umieszczane w pojeździe należy zamontować poza obszarem działania poduszki powietrznej. W przeciwnym wypadku w razie uruchomienia się poduszki powietrznej może dojść do obrażeń ciała.
- System parkowania należy traktować jako dodatkowe wyposażenie pomocnicze; stosowanie go nie zwalnia z obowiązku zachowania szczególnej ostrożności podczas manewrowania.



UWAGA!

- W przypadku pojazdów ze światłami wstecznymi typu LED montaż systemu parkowania może powodować zakłócenia.
- System parkowania **nie** nadaje się do zamontowania przy zderzakach metalowych.
- Sterowniki elektryczne nie mogą być narażone na wilgoć.
- Elektroniczny układ sterujący nie może być instalowany w bezpośredniej bliskości innych modułów sterujących.
- Czujniki nie mogą zakrywać lampek sygnalizacyjnych.

- Podczas montażu czujników należy sprawdzić, czy w ich zasięgu wykrywania nie znajdują się elementy zamocowane na stałe. Sygnalizowanie stałych obiektów np. haka holowniczego może zostać wyłączone.
- Należy posmarować połączenie wtykowe czujników smarem stałym.

2 Zakres dostawy

Zob. rys. **1**

Nr	Ilość	Nazwa	Nr produktu
1	4	Czujniki ultradźwiękowe	9101500043
2	1	Sterownik elektroniczny	
		MWE 820	9101500044
		MWE 860	9101500046
		MWE 890	9101500047
3	1	Głośnik	9101500051
4	1	Przewód przyłączeniowy sterownika elektronicznego	
5	4	Przewód przyłączeniowy czujników	
6	1	Materiał mocujący	
7	1	Wiertło rurowe 21,5 mm	
8	1	Wyświetlacz (tylko MWE860)	9101500045

3 Osprzęt

Elementy dostępne jako osprzęt (nieobjęte zakresem dostawy):

Nazwa	Nr produktu
Tłocznik 22 mm	9101500024
Przycisk zewnętrzny (tylko MWE890)	9101500049
Wyświetlacz (tylko MWE890)	9101500045
Kabel przedłużający do wyświetlacza, 5 m (tylko MWE860, 890)	9101500053
Kabel przyłączeniowy do czujnika, 250 cm (tylko MWE820, 860)	9101500048
Kabel przyłączeniowy do czujnika, 450 cm (tylko MWE890)	9101500050

4 Użytkowanie zgodne z przeznaczeniem

MagicWatch to system parkowania oparty na czujnikach ultradźwiękowych. Monitoruje on podczas manewrowania przestrzeń

- MWE820, 860: za pojazdem
- MWE890: przed pojazdem

Generowany przez system dźwięk oraz wyświetlany obraz ostrzegają przed przeszkodą, która została zarejestrowana przez urządzenie.

MagicWatch jest przeznaczony do montażu w samochodach osobowych.

5 Zasady do uwzględnienia przed montażem

5.1 Ustalanie miejsca montażu czujników

Zob. rys. **3** dorys. **6**



WSKAZÓWKA

Aby urządzenie działało prawidłowo, należy właściwie ustawić czujniki. W przypadku skierowania ich na ziemię będą one sygnalizowały jako przeszkodę również np. nierówności podłoża. Jeśli natomiast będą skierowane zbyt wysoko, nie wykryją rzeczywistych przeszkód.

Podczas montażu należy stosować się do następujących zasad:

- Odległość czujników od podłoża powinna wynosić 50 cm (rys. **3**).
- Dla optymalnego działania urządzenia kąt ustawienia czujnika względem jezdni powinien wynosić 90° (rys. **3**). Kąt nie powinien być mniejszy niż 90°. W przeciwnym razie czujnik będzie identyfikował jezdnię jako przeszkodę.
- Należy zwrócić uwagę na ustawienie pozycji czujników (rys. **4**).

5.2 Lakierowanie czujników

Zob. rys. **2**



WSKAZÓWKA

Czujniki można lakierować. Producent zaleca lakierowanie w specjalistycznym warsztacie.

6 Montaż systemu parkowania

Zob. rys. **7** dorys. **11**

Uzupełnienie do rys. **3**



UWAGA! Niebezpieczeństwo uszkodzenia lakieru!

- Temperatura otoczenia podczas wykrawania lub wiercenia nie może być niższa niż 18 °C.
- Zaleca się zastosowanie tłoczniaka.
- Należy uważać, aby tłoczniak nie został ustawiony skośnie.

- Nawiercone otwory należy wygładzić.
- W celu lepszego dopasowania podczas wiercenia otworów należy odchylić wiertło nieco do dołu po wewnętrznej stronie zderzaka. Obudowę czujnika można wtedy wsunąć z lekkim odchyleniem do dołu.

Uzupełnienie do rys. **9**



UWAGA! Zagrożenie bezzakłóceniewej pracy urządzenia!

Należy pamiętać, że czujniki muszą być właściwie ustawione. Górna część czujnika jest oznaczona symbolem ▲.

7 Podłączanie systemu parkowania



WSKAZÓWKA

- **MWE 820, 860:** W niektórych pojazdach światła cofania działają tylko przy włączonym zapłonie. Wówczas należy włączyć zapłon, aby określić przewód dodatni i przewód masowy.
- **MWE 890:** W przypadku podłączenia sygnału prędkości do sterownika elektrycznego, czujniki zostaną dezaktywowane automatycznie przy prędkości ok. 15 km/h. Jeżeli prędkość spadnie poniżej ok. 15 km/h, czujniki zostaną ponownie aktywowane.

MWE 820, 860: Cały schemat montażowy znajduje się na rys. **12**.

Nr	Nazwa
1	Sterownik elektroniczny
2	Światła cofania
3	Żyła czarna/niebieska: podłączenie do przełączanego bieguna dodatniego (+12 V)
4	Żyła brązowa: podłączenie do masy
5	Żyła czerwona/szara: podłączenie do funkcji ściszenia radia (opcjonalne)
6	Żyła żółta od głośnika
7	Żyła niebieska od głośnika
8	Wyświetlacz (tylko MWE860)
9	Czujniki

MWE890: Cały schemat montażowy znajduje się na rys. **13**.

Nr	Nazwa
1	Sterownik elektroniczny
2	Żyła czarna/niebieska: podłączenie do przełączanego bieguna dodatniego (+12 V)
3	Żyła brązowa: podłączenie do masy
4	Żyła żółta od głośnika
5	Żyła niebieska od głośnika
6	Żyła czerwona/szara: podłączenie do funkcji ściszenia radia (opcjonalne)
7	Żyła żółta/niebieska: Podłączenie do światła cofania (opcjonalnie)
8	Żyła czarna/żółta: Podłączenie do sygnału prędkości tachometru (opcjonalne)
9	Czujniki

8 Zasięg wykrywania

Zob. rys. 14

Zasięg wykrywania systemu parkowania jest podzielony na cztery strefy:

- **Strefa 1 (tylko MWE820, 860)**
Strefa ta to pierwszy obszar graniczny. Niekiedy nie są tu wykrywane drobne przedmioty i obiekty słabo odbijające ultradźwięki.
- **Strefa 2**
W tej strefie sygnalizowane są prawie wszystkie obiekty.
- **Strefa 3**
Sygnalizowana jest tu obecność niemal wszystkich obiektów, ale czasem przedmioty mogą się znaleźć w martwym kącie czujników bądź nie zostać wykryte ze względu na swoje właściwości lub małą wielkość.
- **Strefa zatrzymania (4)**
Obiekty znajdujące się w tej strefie powodują włączenie stałego sygnału „Stop”.
Sygnalizowana jest tu obecność niemal wszystkich obiektów, ale czasem przedmioty mogą się znaleźć w martwym kącie czujników bądź nie zostać wykryte ze względu na swoje właściwości lub małą wielkość.
Sygnalizowanie stałych obiektów np. haka holowniczego można wyłączyć.

9 Ustawienia systemu

Sterownik elektryczny jest wyposażony w przycisk (rys. 15 1) do ustawiania następujących parametrów.

9.1 Ustawianie wrażliwości

- ▶ Należy włączyć zapłon.
- ▶ Następnie należy włączyć bieg wsteczny (**tylko MWE820, 860**).
- ▶ Przycisk należy wciskać nie dłużej niż dwie sekundy, aby ustawić wrażliwość w następującej kolejności:
 - Niska wrażliwość: głośnik wydaje jeden krótki dźwięk
 - Średnia wrażliwość (standard): głośnik wydaje dwukrotnie krótki dźwięk
 - Wysoka wrażliwość: głośnik wydaje trzy krótkie dźwięki

Poprzez kilkukrotne przyciskanie przycisku zmieniona zostanie wrażliwość zgodnie z powyżej podaną kolejnością.

9.2 Wyłączenie sygnalizowania stałych obiektów (np. haka holowniczego) (tylko MWE820, 860)



UWAGA!

Przed ustawieniem należy upewnić się, iż w strefie zatrzymania nie znajdują się żadne dodatkowe obiekty, np. osoby lub inne pojazdy.

- Należy włączyć zapłon.
- Należy włączyć bieg wsteczny.
- Przycisk należy przycisnąć i przytrzymać dłużej niż dwie sekundy, jednak krócej niż cztery sekundy, do chwili, aż głośnik wyda krótki dźwięk.
- ✓ Głośnik powtarza krótkie dźwięki.
- ✓ System inicjalizuje stały obiekt.
- Aby zakończyć ustawienia, należy wysprzęglić ponownie bieg wsteczny po przynajmniej trzech sekundach.

9.3 Przywracanie ustawień fabrycznych

MWE820, 860

- Należy włączyć zapłon.
- Należy włączyć bieg wsteczny.
- Należy przycisnąć przycisk i przytrzymać ponad cztery sekundy.
- ✓ Głośnik powtarza krótkie dźwięki.
- Należy wysprzęglić bieg wsteczny.
- Następnie należy ponownie włączyć bieg wsteczny.
- ✓ System został ponownie ustawiony na ustawienia fabryczne.

MWE 890**WSKAZÓWKA**

Jeśli sygnał prędkości tachometru został oddzielony od sterownika elektrycznego, należy odtworzyć ustawienie fabryczne, aby zagwarantować prawidłowe funkcjonowanie czujników.

- ▶ Należy włączyć zapłon.
- ▶ Należy przycisnąć przycisk i przytrzymać ponad dwie sekundy.
- ✓ Głośnik powtarza krótkie dźwięki.
- ▶ Następnie należy zwolnić przycisk.
- ✓ System został ponownie ustawiony na ustawienia fabryczne.

9.4 Odbicie lustrzane obrazu wyświetlacza (tylko MWE860)

Jeśli przeszkody wyświetlane są na wyświetlaczu po odwrotnych stronach, należy postąpić w następujący sposób:

- ▶ Wtyczki przyłączeniowe czujników należy podłączyć w odwrotnej kolejności do gniazd w module sterującym (1 → 4, 2 → 3, 3 → 2, 4 → 1).

10 Testowanie działania

Aby przetestować system parkowania, należy dojechać powoli np. do ściany.

**UWAGA!**

Uruchamiając system po raz pierwszy, należy zachować najwyższą ostrożność i zapoznać się z różnymi częstotliwościami dźwięków (rys. 14).

11 Korzystanie z systemu parkowania

Czujniki **tylne** (MWE 820, 860) zostają aktywowane automatycznie po włączeniu biegu wstecznego, jeśli włączony został zapłon lub działa silnik. Z głośnika wydobywa się podwójny dźwięk.

Czujniki **przednie** (MWE 890) zostają aktywowane automatycznie po włączeniu zapłonu i osiągnięciu prędkości pomiędzy 0 oraz ok. 15 km/h.

Opcjonalnie sterownik elektryczny przednich czujników można połączyć zamiast do sygnału prędkości także ze światłami cofania lub z zewnętrznym przełącznikiem.



WSKAZÓWKA

Przed wykorzystaniem jednej z obu tych funkcji należy przycisnąć przycisk sterownika elektrycznego i przytrzymać przez 2 sekundy (zob. rozdz. „Przywracanie ustawień fabrycznych” na stronie 171).

Czujniki stają się aktywne w następujących przypadkach:

- Ok. 30 sekund po uruchomieniu silnika.
- Po włączeniu biegu wstecznego oraz przy podłączeniu sterownika elektrycznego do światła cofania.
- Ok. 30 sekund po wysprzęgleniu biegu wstecznego.
- Za pomocą zewnętrznego przycisku (akcesoria) można włączyć czujniki na ok. 30 sekund.

W momencie pojawienia się przeszkody w strefie wykrywania rozlega się powtarzany równomiernie sygnał.

Podczas zbliżania się do przeszkody – w zależności od tego, w której strefie ona się znajduje – zmienia się częstotliwość dźwięku, a tym samym sygnalizowana jest odległość od przeszkody (rys. 14).

MWE 860 (fakultatywny MWE 890): Na wyświetlaczu świeci się tym więcej diod LED, im bardziej zbliża się przeszkoda.

**UWAGA!**

Jeżeli podczas manewrowania wystąpi jeden z opisanych poniżej przypadków, należy natychmiast zatrzymać pojazd i ocenić sytuację (w razie potrzeby wysiąść):

Podczas manewrowania urządzenie sygnalizuje najpierw przeszkodę i częstotliwość sygnału „wzrasta” (np. zmiana z małej na średnią częstotliwość dźwięku). Nagle sygnał dźwiękowy „przeskakuje” na małą częstotliwość lub nie wskazuje już żadnej przeszkody.

Oznacza to, że sygnalizowana pierwotnie przeszkoda nie znajduje się już w strefie wykrywania (jest to uwarunkowane rodzajem konstrukcji), ale nadal stanowi zagrożenie.

12 Wykrywanie usterek

Urządzenie nie działa.

Przewód zasilający (czarny/niebieski i brązowy) nie ma styku lub jest nieprawidłowo podłączony.

- ▶ Należy sprawdzić połączenia.

Wtyczki czujników nie zostały włożone, bądź zostały włożone nieprawidłowo do sterownika elektronicznego.

- ▶ Należy sprawdzić wtyczki i w razie potrzeby wcisnąć je aż do zatrzaśnięcia.

Po włączeniu zapłonu rozlega się długi dźwięk (przez ok. 3 sek.)

Jeden lub kilka czujników jest uszkodzonych lub nie są podłączone do sterownika elektrycznego. Głośnik poprzez liczbę dźwięków generowanych po długim sygnale wskazuje uszkodzony czujnik – na przykład trzy krótkie dźwięki oznaczają czujnik numer 3.

- ▶ Należy sprawdzić wtyczki i w razie potrzeby wcisnąć je aż do zatrzaśnięcia.
- ▶ Wymienić uszkodzony czujnik lub czujniki.

**UWAGA!**

Jeśli jeden lub kilka czujników jest uszkodzonych, system nie działa prawidłowo.

Urządzenie nieprawidłowo sygnalizuje przeszkody.

Przyczyny nieprawidłowych alarmów mogą być następujące:

- przykładowo, zabrudzenie lub szron na czujnikach.
- Należy oczyścić czujniki.

- Czujniki zostały nieprawidłowo zamontowane.
- Należy dostosować kierunek ustawienia lub wysokość czujników (rys. **3**).

- Czujniki mają kontakt z podwoziem.
- Należy oddzielić czujniki od podwozia.

Obiekty na pojeździe (np. koło zapasowe) powodują fałszywe alarmy

- System należy ustawić w taki sposób, aby nie wskazywał stałych obiektów (zob. rozdz. „Ustawienia systemu” na stronie 170).

13 Gwarancja

Warunki gwarancji zostały opisane w Karcie Gwarancyjnej dołączonej do produktu.

W celu naprawy lub rozpatrzenia gwarancji konieczne jest przesłanie:

- uszkodzonych komponentów,
- kopii rachunku z datą zakupu,
- informacji o przyczynie reklamacji lub opisu wady.


14 Utylizacja

- Opakowanie należy wyrzucić do odpowiedniego pojemnika na śmieci do recyklingu.



Jeżeli produkt nie będzie dłużej eksploatowany, koniecznie dowiedz się w najbliższym zakładzie recyklingu lub w specjalistycznym sklepie, jakie są aktualnie obowiązujące przepisy dotyczące utylizacji.

15 Dane techniczne

	MagicWatch		
	MWE820	MWE860	MWE890
Nr produktu:	9600000353	9600000354	9600000355
Zasięg wykrywania:	od ok. 0,40 m do 1,6 m		od ok. 0,35 m do 0,75 m
Częstotliwość ultradźwięków:	40 kHz		
Napięcie zasilające:	10 – 24 V		
Pobór prądu:	maksymalnie 120 mA		
Temperatura robocza:	–25 °C do +70 °C		
Atest:			



WSKAZÓWKA

Czujniki można lakierować. Producent zaleca lakierowanie w specjalistycznym warsztacie.

Pred montážou a uvedením do prevádzky si prosím pozorne prečítajte tento návod a odložte si ho. V prípade odovzdania výrobku ďalšiemu používateľovi mu odovzdajte aj tento návod.

Obsah

1	Pokyny týkajúce sa bezpečnosti a montáže	178
2	Obsah dodávky	179
4	Používanie v súlade s určením	180
5	Upozornenia pred montážou	180
6	Montáž parkovacieho asistenta	181
7	Zapojenie parkovacieho asistenta	181
8	Dosah	183
9	Nastavenie systému	183
10	Testovanie činnosti	185
11	Používanie parkovacieho asistenta	186
12	Zisťovanie porúch	187
13	Záruka	188
14	Likvidácia	188
15	Technické údaje	189

1 Pokyny týkajúce sa bezpečnosti a montáže

Nasledujúce texty dopĺňajú len obrázky na prílohe. Samotné texty nie sú úplné pokyny na montáž a obsluhu! Všímnite si bezpodmienečne obrázky na prílohe!

Dodržiavajte bezpečnostné pokyny a podmienky predpísané výrobcom vozidla a združením automobilového priemyslu!

Dodržiavajte platné zákonné predpisy.

Výrobca v nasledujúcich prípadoch nepreberá za škody žiadnu záruku:

- Poškodenia produktu mechanickými vplyvmi a prepätiami
- Zmeny produktu bez vyjadreného povolenia výrobcu
- Použitie na iné účely ako sú účely uvedené v návode



UPOZORNENIE!

- Upevnite časti parkovacieho asistenta namontované vo vozidle tak, aby sa za žiadnych okolností (prudké zabrzdzenie, dopravná nehoda) neuvolnili a nemohli spôsobiť **poranenia posádky vozidla**.
- Časti parkovacieho asistenta nemontujte vo vozidle v dosahu airbagov. Ináč hrozí nebezpečenstvo poranenia, keď sa airbag aktivuje.
- Parkovací asistent by vám mal len pomáhať, t. j. prístroj vás nezbavuje povinnosti opatrnosti počas posunovania a cúvania.



POZOR!

- Pri vozidlách s LED spätnými svetlami môže montáž parkovacieho asistenta spôsobovať poruchy.
- Parkovací asistent **nie** je určený na montáž do kovových nárazníkov.
- Riadiace elektroniky nesmú byť vystavené vlhkosti.
- Riadiaca elektronika nesmie byť nainštalovaná v bezprostrednej blízkosti iných riadiacich modulov.
- Sensory nesmú zakrývať signálne svetlá.
- Pri montáži senzorov dbajte na to, aby sa v dosahu snímania senzorov nenachádzali žiadne pevne zabudované objekty. Indikovanie pevných objektov, napr. ťažného zariadenia možno zrušiť.
- Do rozpojiteľného spojenia senzorov vzadu dajte malé množstvo mastiva.

2 Obsah dodávky

Pozri obr. 1

Č.	Množstvo	Označenie	Č. výrobku
1	4	Ultrazvukové senzory	9101500043
2	1	Riadiaca elektronika	
		MWE 820	9101500044
		MWE 860	9101500046
		MWE 890	9101500047
3	1	Reproduktor	9101500051
4	1	Prípojný kábel riadiacej elektroniky	
5	4	Prípojný kábel senzorov	
6	1	Upevňovací materiál	
7	1	Jadrový vrták 21,5 mm	
8	1	Displej (len MWE860)	9101500045

3 Príslušenstvo

Dostupné ako príslušenstvo (nie je súčasťou dodávky):

Označenie	Tov. č.
Lisovací nástroj 22 mm	9101500024
Externý snímač (len MWE890)	9101500049
Displej (len MWE890)	9101500045
Predlžovací kábel displeja, 5 m (len MWE860, 890)	9101500053
Prípojovací kábel senzora, 250 cm (len MWE820, 860)	9101500048
Prípojovací kábel senzora, 450 cm (len MWE890)	9101500050

4 Používanie v súlade s určením

MagicWatch je ultrazvukový parkovací asistent. Pri posunovaní a cúvaní kontroluje priestor

- MWE820, 860: za vozidlom
- MWE890: pred vozidlom

Akusticky a opticky varuje pred prekážkami, ktoré prístroj zaznamená.

MagicWatch je dimenzovaný na zabudovanie do osobných automobilov.

5 Upozornenia pred montážou

5.1 Určenie miesta montáže senzorov

Pozri obr. **3** až obr. **6**



POZNÁMKA

Správne vyrovnanie senzorov je dôležité pre bezchybnú činnosť zariadenia.

Ak smerujú na zem, potom nerovnosti zeme sa rozpoznajú ako prekážka. Keď smerujú hore, existujúce prekážky nebudú rozpoznané.

Pri montáži dodržiavajte nasledovné:

- Vzdialenosť senzorov od podlahy by mala byť 50 cm (obr. **3**).
- Aby bola zabezpečená optimálne funkcia, uhol senzora k jazdnej dráhe by mal mať 90 ° (obr. **3**). Uhol nesmie byť menší ako 90 °, pretože potom senzor rozpozná jazdnú dráhu ako prekážku.
- Dávajte pozor na umiestnenie senzorov (obr. **4**).

5.2 Lakovanie senzorov

Pozri obr. **2**



POZNÁMKA

Senzory možno nalakovať. Výrobca odporúča, aby sa lakovanie senzorov uskutočnilo v servise.

6 Montáž parkovacieho asistenta

Pozri obr. **7** až obr. **11**

Doplnenie k obr. **3** A



POZOR! Nebezpečenstvo poškodenia laku!

- Teplota okolia pri vysekávaní alebo vŕtaní nesmie byť nižšia ako 18 °C.
- Odporúčame použiť vysekávací nástroj.
- Dbajte na to, aby sa vysekávací nástroj pri použití nespriečil.

- Odstráňte výronky z vyvŕtaných otvorov.
- Zošíkajte mierne otvory dolu na vnútornej strane nárazníka kvôli lepšiemu lícovaníu. Kryt senzora teraz ľahko vsuňte šikmo nadol.

Doplnenie k obr. **9**



POZOR! Nebezpečenstvo poruchy funkcie!

Nezabudnite, že senzory musia byť príslušne vyrovnané. Horná strana senzora je označená ▲.

7 Zapojenie parkovacieho asistenta



POZNÁMKA

- **MWE 820, 860:** Na niektorých vozidlách fungujú spätné svetlomety len vtedy, keď je zapnuté zapaľovanie. V tom prípade musíte zapnúť zapaľovanie, aby ste určili kladný vodič a vodič ukostrenia.
- **MWE 890:** Keď bol signál rýchlosti pripojený k riadiacej elektronike, senzory sa automaticky deaktivujú pri rýchlosti cca 15 km/h. Keď klesne rýchlosť pod cca 15 km/h, senzory sa znova aktivujú.

MWE820, 860: Kompletnú schému zapojenia nájdete na obr. **12**:

Č. Označenie

- | | |
|---|--|
| 1 | Riadiaca elektronika |
| 2 | Spätné svetlomety |
| 3 | Čierna/modrá žila: Pripojenie zopnutého kladného napätia (+12 V) |
| 4 | Hnedá žila: Pripojenie ku kostre: |
| 5 | Červená/sivá žila: Pripojenie na Mute prípojku rádia (voliteľne) |
| 6 | Žltá žila z reproduktora |
| 7 | Modrá žila z reproduktora |
| 8 | Displej (len MWE860) |
| 9 | Senzory |

MWE890: Kompletnú schému zapojenia nájdete na obr. **13**:

Č. Označenie

- | | |
|---|---|
| 1 | Riadiaca elektronika |
| 2 | Čierna/modrá žila: Pripojenie zopnutého kladného napätia (+12 V) |
| 3 | Hnedá žila: Pripojenie ku kostre: |
| 4 | Žltá žila z reproduktora |
| 5 | Modrá žila z reproduktora |
| 6 | Červená/sivá žila: Pripojenie na Mute prípojku rádia (voliteľne) |
| 7 | Žltá/modrá žila: Pripojenie spätných svetlomety (voliteľne) |
| 8 | Čierna/žltá žila: Pripojenie na signál rýchlosti tachometra (voliteľne) |
| 9 | Senzory |

8 Dosah

Pozri obr. 14

Dosah snímania parkovacieho asistenta je rozdelený na štyri zóny:

- **Zóna 1 (len MWE820, 860)**

Táto zóna je prvá hraničná oblasť. Tu sa za určitých okolností nezachytia malé predmety alebo predmety so zlým odrazom.

- **Zóna 2**

V tejto zóne sa zobrazia takmer všetky predmety.

- **Zóna 3**

V tejto zóne sa zobrazujú takmer všetky objekty, avšak predmety sa môžu dostať do mŕtveho uhla senzorov alebo nezaznamenať na základe ich vlastností alebo nedostatočnej veľkosti.

- **Zóna so signálom zastavenia (4)**

Objekty v tejto zóne vedú k tomu, že parkovací asistent signalizuje trvalým tónom „Stop“.

V tejto zóne sa zobrazujú takmer všetky objekty, avšak predmety sa môžu dostať do mŕtveho uhla senzorov alebo nezaznamenať na základe ich vlastností alebo nedostatočnej veľkosti.

Indikovanie pevných objektov, napr. ťažného zariadenia možno zrušiť.

9 Nastavenie systému

Riadiaca elektronika má tlačidlo (obr. 15 1) na nastavenie nasledovných parametrov.

9.1 Nastavenie citlivosti

- Zapnite zapaľovanie.
- Zaradíte spätný chod (len MWE820, 860).
- Stlačte tlačidlo kratšie ako dve sekundy, aby ste nastavili citlivosť v nasledovnom poradí:
 - Nízka citlivosť: reproduktor pípne jedenkrát
 - Stredná citlivosť (štandard): reproduktor pípne dvakrát
 - Vysoká citlivosť: reproduktor pípne trikrát

Opakovaným stláčaním tlačidla sa mení citlivosť vo vyššie uvedenom poradí.

9.2 Zrušenie indikácie pevných objektov (napr. ťažné zariadenie) (len MWE820, 860)



POZOR!

Pred nastavením zabezpečte, aby sa v zóne so signálom zastavenia nenachádzali žiadne ďalšie objekty, napr. osoby alebo iné vozidlá.

- Zapnite zapaľovanie.
- Zaradíte spätný chod.
- Stlačte tlačidlo dlhšie ako dve sekundy, ale kratšie ako štyri sekundy, kým reproduktor krátko pípne.
- ✓ Reproduktor vydáva opakovane krátke pípnutia.
- ✓ Systém inicializuje pevný objekt.
- Nastavenie ukončíte tým, že po minimálne troch sekundách znova vyradíte spätný chod.

9.3 Obnovenie výrobných nastavení

MWE820, 860

- Zapnite zapaľovanie.
- Zaradíte spätný chod.
- Stlačte tlačidlo dlhšie ako štyri sekundy.
- ✓ Reproduktor vydáva opakovane pípnutia.
- Vyradíte spätný chod.
- Zaradíte znova spätný chod.
- ✓ Systém bol obnovený na výrobné nastavenia.

MWE890**POZNÁMKA**

Keď bol signál rýchlosti tachometra odpojený od riadiacej elektroniky, musí sa obnoviť výrobné nastavenie, aby bola zabezpečená správna činnosť senzorov.

- Zapnite zapalovanie.
- Stlačte tlačidlo dlhšie ako dve sekundy.
- ✓ Reproduktor vydáva opakovane pípnutia.
- Tlačidlo znova pustite.
- ✓ Systém bol obnovený na výrobné nastavenia.

9.4 Zrkadlový obraz na displeji (len MWE860)

Ak sa prekážky na displeji zobrazujú obrátene, postupujte nasledovne:

- Zasuňte pripájacie konektory senzorov do zásuviek v riadiacom module v opačnom poradí (1 → 4, 2 → 3, 3 → 2, 4 → 1).

10 Testovanie činnosti

Na otestovanie parkovacieho asistenta sa napr. približujte pomaly k stene.

**POZOR!**

Pri prvom uvedení do prevádzky postupujte mimoriadne opatrne a oboznámte sa s rôznymi sledmi zvukov (obr. **13**).

11 Používanie parkovacieho asistenta

Zadné senzory (MWE 820, 860) sa aktivujú automaticky zaradením spätného chodu, keď je zapalovanie zapnuté alebo beží motor. Reproduktor vydá dvojitý tón.

Predné senzory (MWE 890) sa automaticky aktivujú, keď je zapalovanie zapnuté a jazdná rýchlosť je v rozmedzí 0 a cca 15 km/h.

Alternatívne možno riadiacu elektroniku predných senzorov spojiť namiesto signálu rýchlosti aj so spätnými svetlometmi alebo pripojiť k externému spínaču.



POZNÁMKA

Pred použitím niektorej z týchto dvoch funkcií podržte tlačidlo na riadiacej elektronike stlačené 2 sekundy (pozri kap. „Obnovenie výrobných nastavení“ na strane 184).

Senzory sú aktívne v týchto prípadoch:

- Cca 30 sekúnd po štarte motora
- Keď je zaradený spätný chod a riadiaca elektronika je pripojená k spätným svetlometom
- Cca 30 sekúnd po vyradení spätného chodu
- Externým spínačom (príslušenstvo) možno senzory zapnúť do aktívneho stavu na interval 30 sekúnd.

Hneď ako sa v dosahu snímania nachádza prekážka, zaznie rovnomerne opakujúci sa signálny tón.

Pri priblížení sa, podľa toho v ktorej zóne sa prekážka práve nachádza, sa zmení sled tónov a frekvencia blikania, čím sa signalizuje vzdialenosť (obr. 14).

MWE 860 (voliteľný MWE 890): Na displeji svieti tým viac LED, čím viac sa prekážka približuje.



POZOR!

Vozidlo okamžite zastavte a skontrolujte situáciu (v prípade potreby vystúpte), ak sa pri cúvaní stane nasledovné:

Pri cúvaní zobrazí prístroj najprv prekážku a sled tónov sa normálne zrýchli (napr. striedanie dlhého a stredne dlhého sledu tónov). Náhle prejde signálny tón na pomalý sled tónov alebo už nezobrazí žiadnu prekážku.

Znamená to, že pôvodná prekážka sa už nenachádza v dosahu snímania senzorov (konštrukčne podmienené), ale ešte vždy do nej možno naraziť.

12 Zisťovanie porúch

Prístroj nefunguje

Napájací kábel (čierny/modrý a hnedý vodič) nemá kontakt alebo je nesprávne pripojený.

- Skontrolujte spojenia.

Konektory senzorov nie sú alebo sú nesprávne zasunuté do riadiacej elektroniky.

- Skontrolujte konektory a príp. ich zasuňte tak, aby zapadli.

Po zapnutí zapalovania zaznie dlhý tón (cca 3 s)

Jeden alebo viac senzorov je chybných alebo už nie sú spojené s riadiacou elektronikou. Reproduktor oznamuje počtom pípnutí po dlhom tóne chybný senzor: napríklad tri pípnutia pre senzor 3.

- Skontrolujte konektory a príp. ich zasuňte tak, aby zapadli.
- Chybný senzor alebo chybné senzory vymeňte.



POZOR!

Systém nefunguje spoľahlivo, keď je jeden alebo viac senzorov chybných.

Prístroj hlási nesprávne prekážky

Nesprávne indikácie môžu mať nasledovné príčiny:

- napríklad nečistoty alebo námraza na senzoroch
- Vyčistite senzory.
- Senzory boli nesprávne namontované.
- Prispôbte polohu alebo výšku senzorov (obr. **3**).
- Senzory majú kontakt s konštrukciou vozidla.
- Zamedzte kontakt senzorov s konštrukciou.

Objekty na vozidle (napr. náhradné koleso) spôsobujú chybné indikácie

- Nastavte systém tak, aby sa pevné objekty už nezobrazovali (pozri kap. „Nastavenie systému“ na strane 183).

13 Záruka

Platí zákonom stanovená záručná lehota. Ak by bol výrobok chybný, obráťte sa na pobočku výrobcu vo vašej krajine (adresy pozri na zadnej strane návodu) alebo na vášho špecializovaného predajcu.

Ak žiadate o vybavenie opravy alebo nárokov vyplývajúcich zo záruky, musíte priložiť nasledovné:

- chybné komponenty,
- kópiu faktúry s dátumom kúpy,
- dôvod reklamácie alebo opis chyby.


14 Likvidácia

- Obalový materiál podľa možnosti odovzdajte do príslušného odpadu na recykláciu.



Keď výrobok definitívne vyradíte z prevádzky, informujte sa v najbližšom recyklačnom stredisku alebo u vášho špecializovaného predajcu o príslušných predpisoch týkajúcich sa likvidácie.

15 Technické údaje

	MagicWatch		
	MWE820	MWE860	MWE890
Č. výrobku:	9600000353	9600000354	9600000355
Dosah:	cca 0,40 m až 1,6 m		cca 0,35 m až 0,75 m
Frekvencia ultrazvuku:	40 kHz		
Napájacie napätie:	10 – 24 V		
Odber prúdu:	maximálne 120 mA		
Prevádzková teplota:	– 25 °C až + 70 °C		
Povolenie:	 030117		



POZNÁMKA

Senzory možno nalakovať. Výrobca odporúča, aby sa lakovanie senzorov uskutočnilo v servise.

Před zahájením instalace a uvedením do provozu si pečlivě přečtěte tento návod a uschovejte jej. V případě dalšího prodeje výrobku předejte návod novému uživateli.

Obsah

1	Bezpečnostní pokyny a pokyny k instalaci	191
2	Obsah dodávky	192
4	Použití v souladu se stanoveným účelem	193
5	Pokyny před montáží	193
6	Montáž parkovacího asistenta	194
7	Připojení parkovacího asistenta	194
8	Rozsah snímané oblasti	196
9	Nastavení systému	196
10	Test funkce	198
11	Používání parkovacího asistenta	199
12	Vyhledávání závad	200
13	Záruka	201
14	Likvidace	201
15	Technické údaje	202

1 Bezpečnostní pokyny a pokyny k instalaci

Následující texty pouze doplňují obrázky v příloze. Samy o sobě nejsou kompletním návodem k instalaci a návodem k obsluze! Vždy respektujte informace uvedené v příloze!

Dodržujte předepsané bezpečnostní pokyny a předpisy vydané výrobcem vozidla a autoservisem!

Dodržujte platné legislativní předpisy.

V následujících případech nepřebírá výrobce žádné záruky za škody:

- Poškození výrobku působením mechanických vlivů a přepětí
- Změna výrobku bez výslovného souhlasu výrobce
- Použití k jiným účelům, než jsou popsány v tomto návodu



UPOZORNĚNÍ!

- Upevněte součásti parkovacího asistenta, namontované ve vozidle, tak, aby se nemohly za žádných okolností uvolnit (náhlé brzdění, nehoda) a **způsobit úrazy posádky vozidla.**
- Neinstalujte součásti parkovacího asistenta uvnitř vozidla do blízkosti airbagu. V opačném případě hrozí při vystřelení airbagu nebezpečí úrazu.
- Parkovací asistent vám má být dodatečnou podporou, tzn. přístroj vás nezabavuje toho, abyste věnovali jízdě mimořádnou pozornost.



POZOR!

- U vozidel se světlem zpátečky LED může způsobovat instalace parkovacího asistenta poruchy.
- Parkovací asistent **není** vhodný k montáži na kovové nárazníky.
- Řídicí elektroniku nesmíte vystavit žádné vlhkosti.
- Řídicí elektroniku nesmíte instalovat v bezprostřední blízkosti řídicích modulů.
- Snímače nesmějí zakrývat žádná signalizační světla a kontrolky.
- Při montáži snímačů pamatujte, že v oblasti záběru snímačů nesmějí být žádné pevně instalované objekty. Indikaci pevných objektů, jako je např. tažné zařízení, lze potlačit.
- Použijte na konektorové spoje snímačů trochu tuku.

2 Obsah dodávky

Viz obr. **1**

Č.	Množství	Název	Č. výrobku
1	4	Ultrazvukové snímače	9101500043
2	1	Řídicí elektronika	
		MWE 820	9101500044
		MWE 860	9101500046
		MWE 890	9101500047
3	1	Reproduktor	9101500051
4	1	Přívodní kabel řídicí elektroniky	
5	4	Přívodní kabel snímačů	
6	1	Upevňovací materiál	
7	1	Jádrový vrták 21,5 mm	
8	1	Displej (pouze MWE 860)	9101500045

3 Příslušenství

Dodávané příslušenství (není součástí dodávky):

Název	Č. výrobku
Vysekávací nástroj 22 mm	9101500024
Externí tlačítko (pouze MWE 890)	9101500049
Displej (pouze MWE 890)	9101500045
Prodlužovací kabel displeje, 5 m (pouze MWE 860, 890)	9101500053
Přívodní kabel snímače, 250 cm (pouze MWE 820, 860)	9101500048
Přívodní kabel snímače, 450 cm (pouze MWE 890)	9101500050

4 Použití v souladu se stanoveným účelem

System MagicWatch je ultrazvukový parkovací asistent. Při manévrování snímá prostor

- MWE820, 860: za vozidlem
- MWE890: před vozidlem

System akusticky a vizuálně varuje před překážkami, které přístroj zachytí.

System MagicWatch je určen k instalaci do osobních.

5 Pokyny před montáží

5.1 Výběr místa instalace snímačů

Viz obr. **3** až obr. **6**



POZNÁMKA

Pro bezvadnou funkci přístroje je důležité správné nasměrování snímačů.

Pokud jsou namířeny na zem, budou za překážku označeny například nerovnosti povrchu. Pokud jsou namířeny příliš vysoko, nebudou skutečně překážky identifikovány.

Při montáži dodržujte následující pokyny:

- Vzdálenost snímačů od vozovky musí být 50 cm (obr. **3**).
- Z důvodu optimální funkce musí být úhel snímače vzhledem k vozovce 90° (obr. **3**). Úhel nesmí být menší než 90°, protože potom snímač detekuje vozovku jako překážku.
- Dodržujte pokyny k umístění snímačů (obr. **4**).

5.2 Lakování snímačů

Viz obr. **2**



POZNÁMKA

Snímače smějí být přelakovány. Výrobce doporučuje nechat provést lakování snímačů ve specializovaném servisu.

6 Montáž parkovacího asistenta

Viz obr. 7 až obr. 11

Doplnění k obr. 8



POZOR! Nebezpečí poškození laku!

- Při vysekávání nebo vrtání nesmí okolní teplota poklesnout pod 18 °C.
- Doporučujeme použití vysekávacího nástroje.
- Dávejte pozor, aby se vysekávací nástroj při použití nevzpříčil.

- Odstraňte otřepy na otvorech.
- Z důvodu usnadnění instalace mírně zešíkmete otvor dole na vnitřní straně nárazníku. Kryt snímače tak můžete zasunout dolů mírně zešíkma.

Doplnění k obr. 9



POZOR! Nebezpečí poruchy funkce!

Pamatujte, že snímače musejí být určitým způsobem nasměrovány. Horní strana snímače je označena písmenem ▲.

7 Připojení parkovacího asistenta



POZNÁMKA

- **MWE 820, 860:** U některých vozidel fungují světa zpátečky pouze po zapnutí zapalování. V takovém případě musíte zapnout zapalování, abyste zjistili kladný kabel a kabel kostry.
- **MWE 890:** Jakmile řídicí elektronika obdrží signál rychlosti, budou čidla automaticky deaktivována při rychlosti vyšší než cca 15 km/hod. Pokud rychlost poklesne pod cca 15 km/hod., budou čidla opět aktivována.

MWE820, 860: Kompletní schéma zapojení systému naleznete na obr. **12**.

Č.	Název
1	Řídicí elektronika
2	Světlo zpátečky
3	Černá/modrá žíla: Přípojka spínaného pólu plus (+12 V)
4	Hnědá žíla: Připojení ke kostře
5	Červená/šedá žíla: Připojení k přípojce Mute rádia (volitelně)
6	Žlutá žíla z reproduktoru
7	Modrá žíla z reproduktoru
8	Displej (pouze MWE860)
9	Snímače

MWE890: Kompletní schéma zapojení systému naleznete na obr. **13**.

Č.	Název
1	Řídicí elektronika
2	Černá/modrá žíla: Přípojka spínaného pólu plus (+12 V)
3	Hnědá žíla: Připojení ke kostře
4	Žlutá žíla z reproduktoru
5	Modrá žíla z reproduktoru
6	Červená/šedá žíla: Připojení k přípojce Mute rádia (volitelně)
7	Žlutý/modrý vodič: Připojení k reflektoru zpátečky (volitelně)
8	Černý/žlutý vodič: Připojení k signálu rychlosti tachometru (volitelně)
9	Snímače

8 Rozsah snímané oblasti

Viz obr. 14

Rozsah oblasti snímané parkovacím asistentem je rozdělen do čtyř zón:

- **Zóna 1 (pouze MWE 820, 860)**

Tato zóna je první mezní oblastí. Za určitých okolností zde nejsou zaznamenány malé předměty nebo předměty se špatným odrazem.

- **Zóna 2**

V této zóně jsou indikovány téměř všechny objekty.

- **Zóna 3**

V této zóně jsou indikovány téměř všechny objekty, ale do mrtvého úhlu snímače se mohou dostat předměty, které v tomto úhlu nemusejí být zachyceny z důvodu své povahy nebo malé velikosti.

- **Zóna zastavení (4)**

Objekty v této zóně vedou k tomu, že parkovací asistent signalizuje trvalý zvukový signál „Stop“.

V této zóně jsou indikovány téměř všechny objekty, ale do mrtvého úhlu snímače se mohou dostat předměty, které v tomto úhlu nemusejí být zachyceny z důvodu své povahy nebo malé velikosti.

Indikaci pevných objektů, jako je např. tažné zařízení, lze potlačit.

9 Nastavení systému

Řídící elektronika je vybavena tlačítkem (obr. 15 1) k nastavení následujících parametrů.

9.1 Nastavení citlivosti

- Zapněte zapalování.
- Zařadte zpátečku (**pouze MWE 820, 860**).
- Stiskněte tlačítko po dobu kratší než dvě vteřiny k nastavení citlivosti v následujícím pořadí:
 - Nízká citlivost: Reproduktor pípne jednou
 - Střední citlivost (standard): Reproduktor pípne dvakrát
 - Vysoká citlivost: Reproduktor pípne třikrát

Opakovaným stiskáním tlačítka změníte citlivost podle výše uvedeného pořadí.

9.2 Potlačení snímání pevných objektů (např. tažného zařízení) (pouze MWE820, 860)



POZOR!

Před nastavením zkontrolujte, zda nejsou v zastavovací zóně umístěny další objekty, např. osoby nebo jiná vozidla.

- Zapněte zapalování.
- Zařadte zpátečku.
- Stiskněte a podržte tlačítko déle než dvě vteřiny, ale kratší dobu než čtyři vteřiny, dokud reproduktor krátce nezapípá.
- ✓ Z reproduktoru opakovaně zazní krátká pípnutí.
- ✓ Systém inicializuje pevný objekt.
- K ukončení nastavení vyřadte zpátečku po uplynutí minimálně tří vteřin.

9.3 Obnova nastavení z výroby

MWE820, 860

- Zapněte zapalování.
- Zařadte zpátečku.
- Stiskněte a podržte tlačítko déle než čtyři vteřiny.
- ✓ Z reproduktoru opakovaně zazní pípnutí.
- Vyřadte zpátečku.
- Znovu zařadte zpátečku.
- ✓ Systém byl resetován do výrobního nastavení.

MWE 890**POZNÁMKA**

Jakmile došlo k odpojení signálu rychlosti tachometru od řídicí elektroniky, musíte obnovit výrobní nastavení, abyste zajistili správnou funkci čidel.

- ▶ Zapněte zapalování.
- ▶ Stiskněte a podržte tlačítko déle než dvě vteřiny.
- ✓ Z reproduktoru opakovaně zazní pípnutí.
- ▶ Uvolněte tlačítko.
- ✓ Systém byl resetován do výrobního nastavení.

9.4 Zrcadlový obraz zobrazení na displeji (pouze MWE860)

Pokud jsou na displeji indikovány překážky ve stranově převráceném zobrazení, postupujte takto:

- ▶ Zapojte přívodní zástrčky snímačů do zdířek řídicího modulu v opačném pořadí (1 → 4, 2 → 3, 3 → 2, 4 → 1).

10 Test funkce

K provedení testu parkovacího asistenta jedte pomalu např. ke stěně.

**POZOR!**

Postupujte při prvním použití s mimořádnou opatrností a seznamte se s významem různých sledů zvukových signálů (obr. **14**).

11 Používání parkovacího asistenta

Zadní čidla (MWE820, 860) jsou aktivovány automaticky zařazením zpátečky, jakmile je zapnuto zapalování, nebo pokud běží motor. Z reproduktoru zazní dvojité akustický signál.

Přední čidla (MWE890) jsou aktivována automaticky, jakmile je zapnuto zapalování a rychlost jízdy je 0 až cca 15 km/hod.

Volitelně můžete připojit k řídicí elektronice předních čidel místo signálu rychlosti také reflektor zpátečky, nebo externí spínač.



POZNÁMKA

Použití některé z těchto obou funkcí stisknete tlačítko na řídicí elektronice a podržte je 2 vteřiny stisknuté (viz kap. „Obnova nastavení z výroby“ na straně 197).

Čidla jsou aktivní v následujících případech:

- Po dobu cca 30 vteřin po nastartování motoru
- Po zařazení zpátečky, pokud je řídicí elektronika připojena k reflektoru zpátečky
- Po dobu cca 30 vteřin po vyřazení zpátečky
- Pomocí externího tlačítka (příslušenství) můžete čidla aktivovat po dobu cca 30 vteřin.

Jakmile se v oblasti snímané snímači objeví překážka, zazní rovnoměrně se opakující akustický signál.

Při přibližování, v závislosti na tom, v jaké zóně se překážka nachází, se sled akustických signálů a frekvence blikání mění, a tím je signalizována vzdálenost (obr. 14).

MWE860 (volitelný MWE890): Na displeji se rozsvěcuje stále větší počet LED podle toho, jak se přibližuje překážka.



POZOR!

Okamžitě zastavte vozidlo a zkontrolujte situaci (případně i vystupte), pokud se při manévrování stane následující:

Při manévrování přístroj nejprve signalizoval překážku a sled akustických signálů se obvyklým způsobem měnil (např. změna z pomalejšího sledu akustických signálů na rychlejší). Náhle se změnil sled akustických signálů na pomalejší nebo systém zcela přestal indikovat překážku.

To znamená, že původní překážka již není v oblasti snímané snímači (závisí na typu instalace), ale stále ještě je možné do ní narazit.

12 Vyhledávání závad

Přístroj nefunguje.

Napájecí kabel (černý/modrý a hnědý vodič) nemá kontakt nebo je nesprávně připojen.

- Zkontrolujte spojení.

Zástrčky snímačů nejsou zapojeny do řídicího elektronického systému, nebo jsou zapojeny nesprávně.

- Zkontrolujte zástrčky a zapojte je příp. tak, aby zacvakly.

Po zapnutí zapalování zazní dlouhý akustický signál (cca 3 s)

Jeden nebo několik snímačů jsou vadné nebo nejsou spojeny s řídicím elektronickým systémem. Reproduktor indikuje počtem pípnutí po dlouhém akustickém signálu vadný snímač: Například tři pípnutí informují o závadě snímače 3.

- Zkontrolujte zástrčky a zapojte je příp. tak, aby zacvakly.
- Vyměňte vadný snímač nebo vadné snímače.



POZOR!

Systém nefunguje spolehlivě, pokud jsou jeden nebo několik snímačů poškozené.

Přístroj nehlásí správně překážky.

Příčiny nesprávné indikace mohou být následující:

- Například nečistoty nebo námraza na snímačích
- Vyčistěte snímače.
- Snímače byly namontovány nesprávně.
- Upravte polohu nebo výšku čidel (obr. **3**).
- Snímače jsou v kontaktu s šasi vozidla.
- Odpojte snímače od šasi vozidla.

Objekty na vozidle (např. náhradní kolo) způsobují nesprávnou indikaci

- ▶ Nastavte systém tak, aby nebyly pevné objekty indikovány (viz kap. „Nastavení systému“ na straně 196).

13 Záruka

Na výrobek je poskytována záruka v souladu s platnými zákony. Zjistíte-li, že je výrobek vadný, zašlete jej do pobočky výrobce ve vaší zemi (adresy viz zadní strana tohoto návodu) nebo specializovanému prodejci.

K vyřízení opravy nebo záruky nezapomeňte odeslat následující:

- Vadné součásti,
- Kopii účtenky s datem zakoupení,
- Uvedení důvodu reklamace nebo popisu vady.


14 Likvidace

- ▶ Obalový materiál likvidujte v odpadu určeném k recyklaci.



Jakmile výrobek zcela vyřadíte z provozu, informujte se v příslušných recyklačních centrech nebo u specializovaného prodejce o příslušných předpisech o likvidaci odpadu.

15 Technické údaje

	MagicWatch		
	MWE820	MWE860	MWE890
Č. výrobku:	9600000353	9600000354	9600000355
Rozsah snímané oblasti:	cca 0,40 m až 1,6 m		cca 0,35 m až 0,75 m
Frekvence ultrazvuku:	40 kHz		
Napájecí napětí:	10 – 24 Voltů		
Příkon proudu:	Maximálně 120 mA		
Provozní teplota:	– 25 °C až + 70 °C		
Certifikace:			



POZNÁMKA

Snímače smějí být přelakovány. Výrobce doporučuje nechat provést lakování snímačů ve specializovaném servisu.

Beépítés és üzembe vétel előtt gondosan olvassa el és őrizze meg ezt a használati útmutatót. Ha a terméket továbbadja, mellékelje hozzá a használati útmutatót is.

Tartalomjegyzék

1	Biztonsági és beszerelési tudnivalók	204
2	A csomag tartalma	205
4	Rendeltetésszerű használat.	206
5	Beszerelés előtti megjegyzések.	206
6	A parkolósegéd beszerelése	207
7	A parkolósegéd csatlakoztatása.	207
8	Érzékelési tartomány	209
9	A rendszer beállítása	209
10	A működés ellenőrzése	211
11	A parkolósegéd használata	212
12	Hibakeresés.	213
13	Szavatosság.	214
14	Ártalmatlanítás.	214
15	Műszaki adatok	215

1 Biztonsági és beszerelési tudnivalók

A következő szövegek csupán a mellékelt lap ábráit egészítik ki. Ezek önmagukban nem teljes beszerelési és kezelési útmutatások! Feltétlenül vegye figyelembe a mellékelt lapon lévő ábrákat!

Vegye figyelembe a járműgyártó és a gépjárműszakma által előírt biztonsági megjegyzéseket és előírásokat!

Vegye figyelembe az érvényes törvényi előírásokat.

A gyártó a bekövetkező károkért a következő esetekben nem vállal felelősséget:

- a termék mechanikai behatások és túlfeszültségek miatti sérülése
- a termék kifejezett gyártói engedély nélküli módosítása
- az útmutatóban leírt céloktól eltérő felhasználás



VIGYÁZAT!

- A parkolósegéd járműben felszerelt alkatrészeit úgy rögzítse, hogy azok semmilyen körülmények között (éles fékezés, közlekedési baleset) ne szabadulhassanak el és ne okozhassák **a jármű utasainak sérülését**.
- A parkolósegéd járművön belülré elhelyezendő alkatrészeit ne szerelje légszák hatókörzetébe. Ellenkező esetben a légszák kioldása esetén sérülésveszély állhat fenn.
- A parkolósegéd csak kiegészítő támogatást nyújt, azaz a készülék nem menti fel a felhasználót a manőverezés során is érvényes, kifejezett óvatossági kötelezettsége alól.



FIGYELEM!

- LED-es hátsó lámpákkal szerelt járműveknél a parkolósegéd beépítése üzemzavart okozhat.
- A parkolósegéd **nem** alkalmas fém lökhárítón való felszerelésre.
- A vezérlőelektronikákat nem szabad nedvesség hatásának kiténni.
- A vezérlőelektronikákat nem szabad más vezérlőmodulok közvetlen közelében telepíteni.
- Az érzékelők nem fedhetik el a jelzőlámpákat.
- Az érzékelők szerelése során ügyeljen arra, hogy a járműre rögzített tárgyak ne legyenek az érzékelők érzékelési tartományában. Rögzített tárgyak – például utánfutó vonószerkezetének – jelzése elnyomható.
- Tegyen egy kis zsírt az érzékelők dugócsatlakozójába.

2 A csomag tartalma

Lásd: **1.** ábra

Szám	Mennyiség	Megnevezés	Cikkszám
1	4	Ultragangos érzékelők	9101500043
2	1	Vezérlőelektronika MWE 820	9101500044
		MWE 860	9101500046
		MWE 890	9101500047
3	1	Hangszóró	9101500051
4	1	Vezérlőelektronika csatlakozókábele	
5	4	Érzékelők csatlakozókábele	
6	1	Rögzítőanyag	
7	1	Magfúró, 21,5 mm	
8	1	Kijelző (csak MWE860)	9101500045

3 Tartozékok

Tartozékként kapható (nincs mellékelve):

Megnevezés	Cikkszám
Lyukasztószerszám, 22 mm	9101500024
Külső gomb (csak MWE890)	9101500049
Kijelző (csak MWE890)	9101500045
Kijelző hosszabbítókábele, 5 m (csak MWE860, 890)	9101500053
Érzékelő csatlakozókábele, 250 cm (csak MWE820, 860)	9101500048
Érzékelő csatlakozókábele, 450 cm (csak MWE890)	9101500050

4 Rendeltetésszerű használat

A MagicWatch ultrahangalapú parkolósegéd. Felügyeli a manőverezésnél a teret

- MWE820, 860: a jármű mögött
- MWE890: a jármű előtt

Akusztikusan és optikailag figyelmeztet a készülék által érzékelt akadályokra.

A MagicWatch személygépjárművekbe szerelhető be.

5 Beszerelés előtti megjegyzések

5.1 Az érzékelők beépítési helyének meghatározása

Lásd **3.** ábra – **6.** ábra



MEGJEGYZÉS

A készülék kifogástalan működéséhez az érzékelők pontos beigazítása szükséges.

Ha ezek a föld felé mutatnak, akkor például a készülék a talajegyenletlenségeket akadályokként érzékeli és jelzi. Ha túlságosan magasra mutatnak, akkor a készülék a meglévő akadályokat nem ismeri fel.

A szerelés során vegye figyelembe a következőket:

- Az érzékelőknek 50 cm-re kell lenniük a padlótól (**3.** ábra).
- Az optimális működés érdekében az érzékelőnek az úttesthez viszonyítva 90°-os szögben kell lennie (**3.** ábra). A szög nem lehet kisebb 90°-nál, mivel akkor az érzékelő az úttestet akadályként ismeri fel.
- Ügyeljen az érzékelők pozicionálására (**4.** ábra).

5.2 Az érzékelők lakkozása

Lásd: **2.** ábra



MEGJEGYZÉS

Az érzékelők lakkozhatók. Az érzékelők lakkozását szakműhelyben javasolt elvégeztetni.

6 A parkolósegéd beszerelése

Lásd **7.** ábra – **11.** ábra

8. ábra kiegészítése



FIGYELEM! Lakk-károsodások veszélye!

- A kivágásnál és a fúrásnál a környezeti hőmérséklet nem lehet alacsonyabb, mint 18 °C.
- Javasoljuk vágószerszám használatát.
- Ügyeljen arra, hogy a vágószerszámot a használat során ne tartsa ferdén.

- Sorjáltanítsa a furatokat.
- A jobb illeszkedés érdekében alul a lökhárító belső oldalán kissé munkálja le ferdére a furatokat. Az érzékelő háza ezután lefelé, kissé ferdén betolható a helyére.

9. ábra kiegészítése



FIGYELEM! Működési zavar veszélye!

Vegye figyelembe, hogy az érzékelőknek egy bizonyos irányban kell állniuk. Az érzékelő tetejét ▲ jelöli.

7 A parkolósegéd csatlakoztatása



MEGJEGYZÉS

- **MWE 820, 860:** Bizonyos járműveknél a hátrameneti fényszóró csak bekapcsolt gyújtásnál működik. Ilyen esetben a gyújtást – a plusz és a testvezeték meghatározásához – be kell kapcsolni.
- **MWE 890:** ha a sebességjel csatlakoztatva van a vezérlőelektronikához, az érzékelők kb. 15 km/h feletti sebesség esetén automatikusan deaktiválódnak. Mihelyt a sebesség kb. 15 km/h csökken, az érzékelők újra aktiválódnak.

MWE820, 860: A teljes csatlakoztatási rajzot itt találja: **12.** ábra.

Szám	Megnevezés
1	Vezérlőelektronika
2	Tolatófényszóró
3	Fekete / kék ér: Csatlakozás a kapcsolt pluszhoz (+12 V)
4	Barna ér: Csatlakozás testhez
5	Piros / szürke ér: Csatlakozás a rádió némításcsatlakozójához (opcionális)
6	Sárga ér a hangszórótól
7	Kék ér a hangszórótól
8	Kijelző (csak MWE860)
9	Érzékelők

MWE890: A teljes csatlakoztatási rajzot itt találja: **13.** ábra.

Szám	Megnevezés
1	Vezérlőelektronika
2	Fekete / kék ér: Csatlakozás a kapcsolt pluszhoz (+12 V)
3	Barna ér: Csatlakozás testhez
4	Sárga ér a hangszórótól
5	Kék ér a hangszórótól
6	Piros / szürke ér: Csatlakozás a rádió némításcsatlakozójához (opcionális)
7	Sárga / kék ér: csatlakoztatás tolatólámpákra (opcionális)
8	Fekete / sárga ér: Csatlakoztatás a kilométeróra sebességjeléhez (opcionális)
9	Érzékelők

8 Érzékelési tartomány

Lásd: **14.** ábra

A parkolósegéd érzékelési tartománya négy zónára van felosztva:

- **1. zóna (csak MWE820, 860)**

Ez a zóna az első határtartomány. Itt előfordulhat, hogy az érzékelők kis méretű vagy rossz hangvisszaverő képességű tárgyakat nem érzékelnek.

- **2. zóna**

Ebben a zónában az érzékelők szinte minden tárgyat jeleznek.

- **3. zóna**

Ebben a zónában az érzékelők szinte minden tárgyat jeleznek, de az érzékelők holtterébe is kerülhetnek tárgyak, illetve előfordulhat, hogy az érzékelők a tárgyakat azok jellegénél vagy kis méreténél fogva nem érzékeli.

- **Megállási zóna (4)**

Az ebben a zónában lévő tárgyakat érzékelve a parkolósegéd folyamatos „Állj” hangjelet ad.

Ebben a zónában az érzékelők szinte minden tárgyat jeleznek, de az érzékelők holtterébe is kerülhetnek tárgyak, illetve előfordulhat, hogy az érzékelők a tárgyakat azok jellegénél vagy kis méreténél fogva nem érzékeli.

Rögzített tárgyak – például utánfutó vonószerkezetének – jelzése elnyomható.

9 A rendszer beállítása

A vezérlőelektronika a következő paraméterek beállítására szolgáló gombbal (**15.** ábra 1) rendelkezik.

9.1 Érzékenység beállítása

- Kapcsolja be a gyújtást.
- Kapcsoljon hátrameneti fokozatba (**csak MWE820, 860**).
- Nyomja meg két másodpercnél rövidebb időre a gombot az érzékenység alábbi sorrendben való beállításához:
 - alacsony érzékenység: a hangszóró egyszer sípol
 - közepes érzékenység (alap): a hangszóró kétszer sípol
 - magas érzékenység: a hangszóró háromszor sípol

A gomb újbóli megnyomásával az érzékenység a fent leírt sorrendben módosul.

9.2 Rögzített helyzetű tárgyak (például vontatóhorog) megjelenítésének elnyomása (csak MWE820, 860)



FIGYELEM!

Beállítás előtt győződjön meg arról, hogy nincsenek további tárgyak, pl. más járművek, vagy személyek a megállási zónában.

- Kapcsolja be a gyújtást.
- Kapcsolja a sebességváltót hátrameneti fokozatba.
- Nyomja meg két másodpercnél hosszabb, de négy másodpercnél rövidebb időre a gombot, míg a hangszóró egy rövidet nem sípol.
- ✓ A hangszóró újra rövid sípoló hangot ad ki.
- ✓ A rendszer inicializálja a fix tárgyat.
- A beállítás befejezéséhez szüntesse meg a hátrameneti fokozatot legalább három másodperces működési idő után.

9.3 A gyári beállítások helyreállítása

MWE820, 860

- Kapcsolja be a gyújtást.
- Kapcsolja a sebességváltót hátrameneti fokozatba.
- Nyomja meg a gombot négy másodpercnél hosszabb időre.
- ✓ A hangszóró újra sípoló hangokat ad ki.
- Szüntesse meg a hátrameneti fokozatot.
- Kapcsolja a sebességváltót újra hátrameneti fokozatba.
- ✓ A rendszer visszaállt a gyári beállításokra.

MWE890**MEGJEGYZÉS**

Amennyiben a sebességjelet leválasztották a vezérlőelektronikáról, a gyári beállítást vissza kell állítani, hogy az érzékelők megfelelő működése biztosítható legyen.

- ▶ Kapcsolja be a gyújtást.
- ▶ Nyomja meg a gombot két másodpercnél hosszabb időre.
- ✓ A hangszóró újra sípoló hangokat ad ki.
- ▶ Engedje el a gombot.
- ✓ A rendszer visszaállt a gyári beállításokra.

9.4 Kijelzőkép tükrözése (csak MWE860)

Amennyiben az akadályok fordítva jelennek meg a kijelzőn, a következőképpen járjon el:

- ▶ Dugja be az érzékelők csatlakozódugóit fordított sorrendben a vezérlőmodul aljzataiba (1 → 4, 2 → 3, 3 → 2, 4 → 1).

10 A működés ellenőrzése

A parkolósegéd működésének ellenőrzéséhez haladjon például lassan egy fal felé.

**FIGYELEM!**

Az első üzembe helyezés során különös elővigyázatossággal járjon el, és ismerje meg a különböző hangsorozatokat jelentését (14. ábra).

11 A parkolósegéd használata

A **hátsó** érzékelők (MWE 820, 860) automatikusan aktiválódnak a hátrameneti fokozat bekapcsolása esetén, ha a gyújtás be van kapcsolva vagy a motor jár. A hangszóróból kettős hang szólal meg.

Az **első** érzékelők (MWE 890) automatikusan aktiválódnak, mihamarabb a gyújtást bekapcsolják és a menetsebesség 0 és kb. 15 km/h közt mozog.

Az első érzékelők vezérlőelektronikája a sebességjel helyett a tolatólámpával is összeköthető, vagy egy külső kapcsolóra is ráköthető.



MEGJEGYZÉS

A két funkció egyikének használata előtt nyomja meg 2 másodpercre a vezérlőelektronikán található gombot (lásd „A gyári beállítások helyreállítása” fejelet, 210. oldal).

Az érzékelők a következő esetekben aktívak:

- Kb. 30 másodpercig a motor indítása után
- Hátrameneti fokozatba kapcsolva és ha a vezérlőelektronika a tolatólámpára van csatlakoztatva
- Kb. 30 másodpercig a hátrameneti fokozat megszüntetése után
- Külső gombbal (tartozék) az érzékelők 30 másodpercre aktiválhatók.

Ha az érzékelési tartományban akadály fordul elő, egyenletesen ismétlődő jelzőhang szólal meg.

Az akadályhoz közeledve, az illető zónától függően a hangszorozat és a villogási frekvencia változik, így jelezve az akadálytól való távolságot (14. ábra).

MWE 860 (MWE 890 opcionálisan): A kijelzőn annál több LED világít, minél közelebb kerül az akadály.



FIGYELEM!

Azonnal állítsa meg a járművet és ellenőrizze a helyzetet (adott esetben szálljon ki), ha a manőverezésnél a következőket tapasztalja:

A manőverezés során a készülék előbb akadályt jelez, és a hangszorozat teljesen normális módon gyorsabbá válik (például a lassúból a közepes hangszorozatra vált). A jelzőhang hirtelen a lassú hangszorozatra ugrik át vagy egyáltalán nem jelez további akadályt.

Ez azt jelenti, hogy az eredeti akadály többé már nincs az érzékelők érzékelési tartományában (ez a konstrukcióból is eredhet), de a beleütközés veszélye még mindig fennáll.

12 Hibakeresés

A készülék nem jelez működést

A tápellátó kábel (fekete / kék és barna vezeték) nem érintkezik vagy hibásan van csatlakoztatva.

- Ellenőrizze a csatlakozásokat.

Az érzékelők dugaszai nincsenek vagy hibásan vannak a vezérlőelektronikába bedugva.

- Ellenőrizze a dugaszokat, és adott esetben dugja be azokat úgy, hogy bepattanjanak.

A gyújtás bekapcsolása után hosszú hang hallatszik (kb. 3 másodpercig)

Egy vagy több érzékelő hibás vagy már nincs összekötve a vezérlőelektronikával. A hangszóró a hibás érzékelőt a sípoló hangok számával jelzi a hosszú hang után: három sípoló hang például a 3. érzékelő meghibásodását jelzi.

- Ellenőrizze a dugaszokat, és adott esetben dugja be azokat úgy, hogy bepattanjanak.
- Cserélje ki a hibás érzékelő(ke)t.



FIGYELEM!

A rendszer már nem működik megbízhatóan, ha egy vagy két érzékelő hibás.

A készülék hibásan jelez akadályokat

Hibás riasztáshoz a következő okok vezethetnek:

- Például az érzékelők szennyeződése vagy eljegesedése
- Tisztítsa meg az érzékelőket.
- Az érzékelők hibásan lettek felszerelve.
- Igazítsa be az érzékelők helyzetét vagy magasságát (**3**. ábra).
- Az érzékelők hozzáérnek a járműkarosszériához.
- Távolítsa el az érzékelőket a karosszériától.

A járművön lévő tárgyak (például pótkerék) hibás riasztást okoznak

- ▶ Állítsa be úgy a rendszert, hogy a fix tárgyak már ne jelenjenek meg (lásd: „A rendszer beállítása” fejr., 209. oldal).

13 Szavatosság

A termékre a törvény szerinti szavatossági időszak érvényes. A termék meghibásodása esetén forduljon a gyártói lerakathoz (a címetek lásd jelen útmutató hátoldalán), illetve az illetékes szakkereskedőhöz.

A javításhoz, illetve a szavatossági adminisztrációhoz a következő dokumentumokat kell beküldenie:

- hibás részegységek,
- a számla vásárlási dátummal rendelkező másolatát,
- a reklamáció okát vagy a hibát tartalmazó leírást.

14 Ártalmatlanítás

- ▶ A csomagolóanyagot lehetőleg a megfelelő újrahasznosítható hulladék közé tegye.



Ha a terméket véglegesen kivonja a forgalomból, kérjük, tájékozódjon a legközelebbi hulladékártalmatlanító központnál vagy a szakkereskedőjénél az idevonatkozó ártalmatlanítási előírásokkal kapcsolatosan.

15 Műszaki adatok

	MagicWatch		
	MWE820	MWE860	MWE890
Cikkszám:	9600000353	9600000354	9600000355
Érzékelési tartomány:	kb. 0,40 m – 1,6 m		kb. 0,35 m – 0,75 m
Ultrahang-frekvencia:	40 kHz		
Tápfeszültség:	10 – 24 V		
Áramfelvétel:	legfeljebb 120 mA		
Üzemi hőmérséklet:	–25 °C és +70 °C közt		
Engedély:	 030117		



MEGJEGYZÉS

Az érzékelők lakkozhatók. Az érzékelők lakkozását szakműhelyben javasolt elvégeztetni.

GERMANY**Domestic WAECO International GmbH**

Hollefeldstraße 63 · D-48282 Emsdetten
 ☎ +49 (0) 2572 879-195 · 📠 +49 (0) 2572 879-322
 Mail: info@domestic-waeco.de

www.domestic.com

**AUSTRALIA****Domestic Australia Pty. Ltd.**

1 John Duncan Court
 Varsity Lakes QLD 4227
 ☎ 1800 212121
 📠 +61 7 55076001
 Mail: sales@domestic.com.au

AUSTRIA**Domestic Austria GmbH**

Neudorferstraße 108
 A-2353 Guntramsdorf
 ☎ +43 2236 908070
 📠 +43 2236 90807060
 Mail: info@domestic.at

BENELUX**Domestic Branch Office Belgium**

Zincstraat 3
 B-1500 Halle
 ☎ +32 2 3598040
 📠 +32 2 3598050
 Mail: info@domestic.be

BRAZIL**Domestic DO Brasil LTDA**

Avenida Paulista 1754, conj. 111
 SP 01310-920 Sao Paulo
 ☎ +55 11 3251 3352
 📠 +55 11 3251 3362
 Mail: info@domestic.com.br

DENMARK**Domestic Denmark A/S**

Nordensvej 15, Taulov
 DK-7000 Fredericia
 ☎ +45 75585966
 📠 +45 75586307
 Mail: info@domestic.dk

FINLAND**Domestic Finland OY**

Mestariitie 4
 FIN-01730 Vantaa
 ☎ +358 20 7413220
 📠 +358 9 7593700
 Mail: info@domestic.fi

FRANCE**Domestic SAS**

ZA du Pré de la Dame Jeanne
 B.P. 5
 F-60128 Plessilly
 ☎ +33 3 44633525
 📠 +33 3 44633518
 Mail: vehiculesdeloisirs@domestic.fr

HONG KONG**Domestic Group Asia Pacific**

Suites 2207-11 / 22/F - Tower 1
 The Gateway - 25 Canton Road,
 Tsim Sha Tsui - Kowloon
 ☎ +852 2 4611386
 📠 +852 2 4665553
 Mail: info@waeco.com.hk

HUNGARY**Domestic Zrt. Sales Office**

Kerekgyártó u. 5.
 H-1147 Budapest
 ☎ +36 1 468 4400
 📠 +36 1 468 4401
 Mail: budapest@domestic.hu

ITALY**Domestic Italy S.r.l.**

Via Virgilio, 3
 I-47122 Forlì (FC)
 ☎ +39 0543 754901
 📠 +39 0543 754983
 Mail: vendite@domestic.it

JAPAN**Domestic KK**

Maekawa-Shibaura, Bldg. 2
 2-13-9 Shibaura Minato-ku
 Tokyo 108-0023
 ☎ +81 3 5445 3333
 📠 +81 3 5445 3339
 Mail: info@domestic.jp

MEXICO**Domestic Mx, S. de R. L. de C. V.**

Circuito Médicos No. 6 Local 1
 Colonia Ciudad Satélite
 CP 53100 Naucalpan de Juárez
 Estado de México
 ☎ +52 55 5374 4108
 📠 +52 55 5393 4683
 Mail: info@domestic.com.mx

NETHERLANDS**Domestic Benelux B.V.**

Ecustraat 3
 NL-4879 NP Etten-Leur
 ☎ +31 76 5029000
 📠 +31 76 5029019
 Mail: info@domestic.nl

NEW ZEALAND**Domestic New Zealand Ltd.**

Unite E, The Gate
 373 Neilson Street
 Penrose 1, Auckland
 ☎ +64 9 622 1490
 📠 +64 9 622 1573
 Mail: customerservices@domestic.co.nz

NORWAY**Domestic Norway AS**

Østerøyveien 46
 N-3232 Sandefjord
 ☎ +47 33428450
 📠 +47 33428459
 Mail: firmapost@domestic.no

POLAND**Domestic Poland Sp. z o.o.**

Ul. Puławska 435A
 PL-02-801 Warszawa
 ☎ +48 22 414 3200
 📠 +48 22 414 3201
 Mail: info@domestic.pl

PORTUGAL**Domestic Spain, S.L.**

Branch Office em Portugal
 Rot. de São Gonçalo nº 1 – Esc. 12
 2775-399 Carcavelos
 ☎ +351 219 244 173
 📠 +351 219 243 206
 Mail: info@domestic.pt

RUSSIA**Domestic RUS LLC**

Komsomolskaya square 6-1
 RU-107140 Moscow
 ☎ +7 495 780 79 39
 📠 +7 495 916 56 53
 Mail: info@domestic.ru

SINGAPORE**Domestic Pte Ltd**

18 Boon Lay Way 06-140 Trade Hub 21
 Singapore 609966
 ☎ +65 6795 3177
 📠 +65 6862 6620
 Mail: domestic@domestic.com.sg

SLOVAKIA**Domestic Slovakia s.r.o. Sales Office Bratislava**

Nádražná 34/A
 900 28 Ivanka pri Dunaji
 ☎/📠 +421 2 45 529 680
 Mail: bratislava@domestic.com

SOUTH AFRICA**Domestic (Pty) Ltd.****Regional Office****South Africa & Sub-Saharan Africa**

2 Avalon Road
 West Lake View Ext 11
 Modderfontein 1645
 Johannesburg
 ☎ +27 11 4504978
 📠 +27 11 4504976
 Mail: info@domestic.co.za

SPAIN**Domestic Spain S.L.**

Avda. Sierra del Guadarrama, 16
 E-28691 Villanueva de la Cañada
 Madrid
 ☎ +34 902 111 042
 📠 +34 900 100 245
 Mail: info@domestic.es

SWEDEN**Domestic Scandinavia AB**

Gustaf Melins gata 7
 S-42131 Västra Frölunda
 ☎ +46 31 7341100
 📠 +46 31 7341101
 Mail: info@domesticgroup.se

SWITZERLAND**Domestic Switzerland AG**

Riedackerstrasse 7a
 CH-8153 Rümlang
 ☎ +41 44 8187171
 📠 +41 44 8187191
 Mail: info@domestic.ch

UNITED ARAB EMIRATES**Domestic Middle East FZCO**

P. O. Box 17860
 S-D 6, Jebel Ali Freezone
 Dubai
 ☎ +971 4 883 3858
 📠 +971 4 883 3868
 Mail: info@domestic.ae

UNITED KINGDOM**Domestic UK Ltd.**

Domestic House, The Brewery
 Blandford St. Mary
 Dorset DT11 9LS
 ☎ +44 344 626 0133
 📠 +44 344 626 0143
 Mail: customerservices@domestic.co.uk

USA**Domestic RV Division**

1120 North Main Street
 Elkhart, IN 46515
 ☎ +1 574-264-2131