

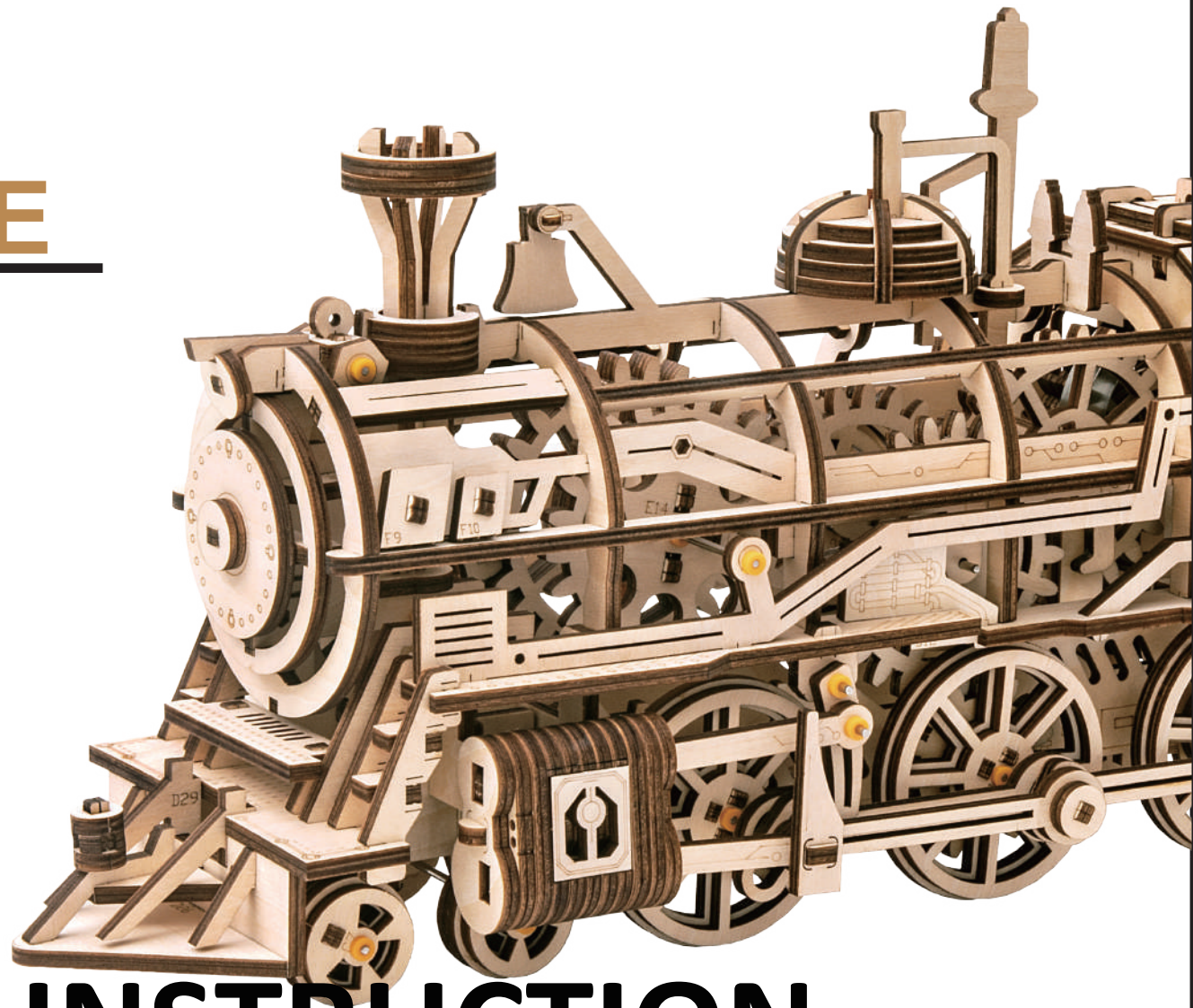
**ROKR<sup>®</sup>**

# LOCOMOTIVE

*LK701-v2*

3D WOODEN PUZZLE

MECHANICAL MODELS



# ASSEMBLY INSTRUCTION

## WARNING:

This product is for people whose age is **over 14**, kids should assemble under the guidance of adults.

## MAINTENANCE:

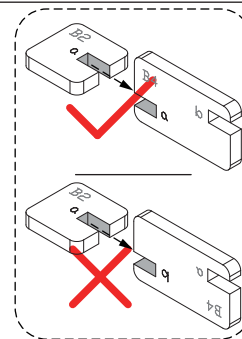
- 1.Keep the product far away from sources of ignition and water to prevent any damage.
- 2.Don't use any chemical reagents like alcohol, ammonia water or window cleanser to clean the product.
- 3.Use clean and soft fabric to clean the product if necessary.



Scan me, know me.

## ATTENTION

- **Store the small parts away** after opening the package prevent losing when assembling.
- Make sure that **the numbers match to their corresponding number** while assembling.
- **Additional pieces** can be used as **spare parts**.
- For some difficult assembling steps, you can **scan the QR codes for assembly videos**.
- Use **the sandpaper to polish the pieces** if needed.
- Please **keep the manual well** for future reference.



## \*CUSTOMER SERVICE

Facebook: [RokrOfficial](#)

Please contact us on Facebook, our online customer service group will try our best to help you solve any problems there. We offer online instruction support, you can find the latest version on our website: [www.robotime.com](http://www.robotime.com).

## FAQ

PROBLEM	CAUSE	SOLUTION
The machine doesn't move after winding up	<ol style="list-style-type: none"><li>1. Brake lever remains down.</li><li>2. The friction between the gear and supporting plank(the long plank used to hold the gear) is excessive.</li><li>3. The friction between the connecting rods outside the gear is excessive. Or the friction between the connecting rod and engine is excessive.</li><li>4. The gap between gears is excessive.</li></ol>	<ol style="list-style-type: none"><li>1. Push the brake lever up.</li><li>2. Turn the gear and ensure that there is enough space between the gear and supporting plank.</li><li>3. Turn the gear and check if the connecting rods could run smoothly.</li><li>4. Slightly adjust the location of gears.</li></ol>



Assemble the parts symmetrically



Polish the parts with sandpaper



Make sure the parts could rotate freely



Special attention in assembly



Make sure the gears are appropriately engaged with each other



Complete 2 pieces



Use the utility knife to cut off the stick



Wax or lubricant needed



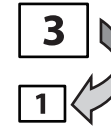
Perspective changed. Rotate the product based on the direction of arrow



Step1



Step2



Assemble step **3** according to step **1**

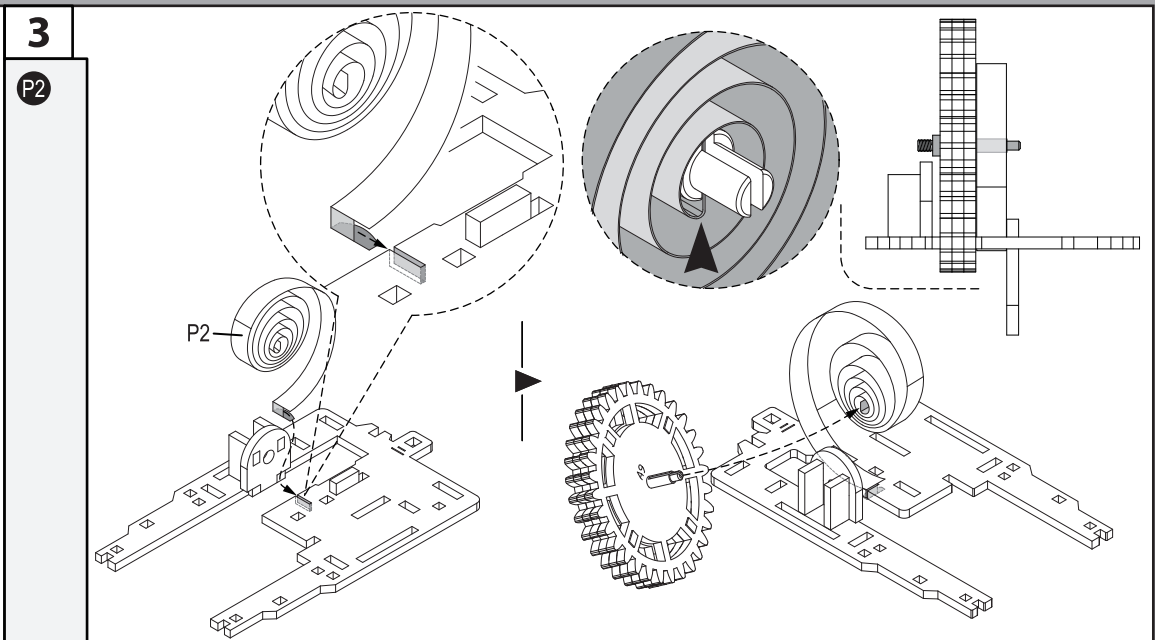
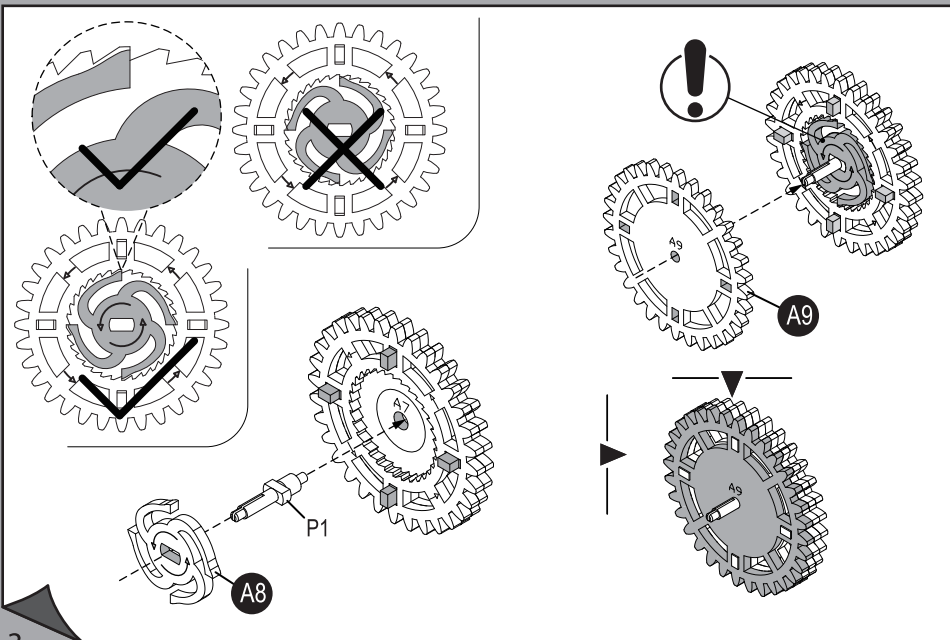
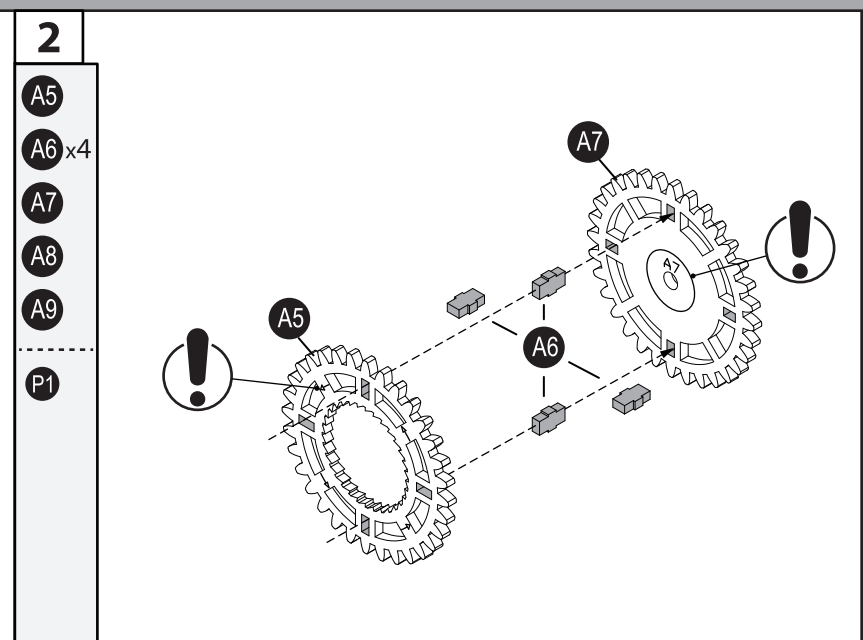
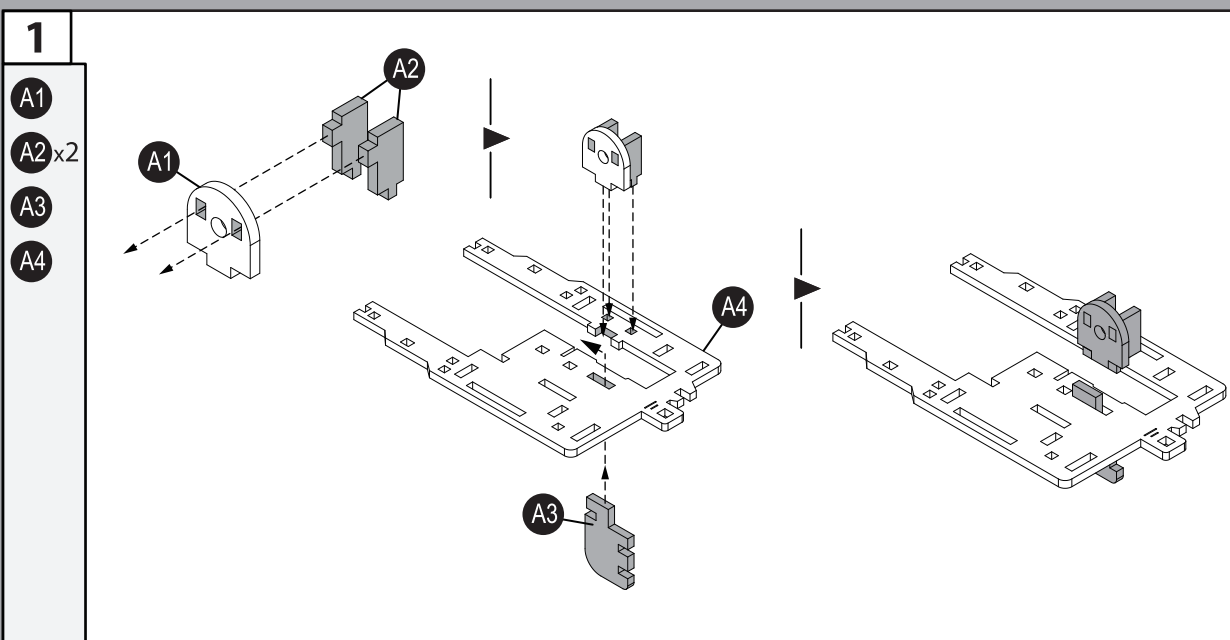
## Parts List

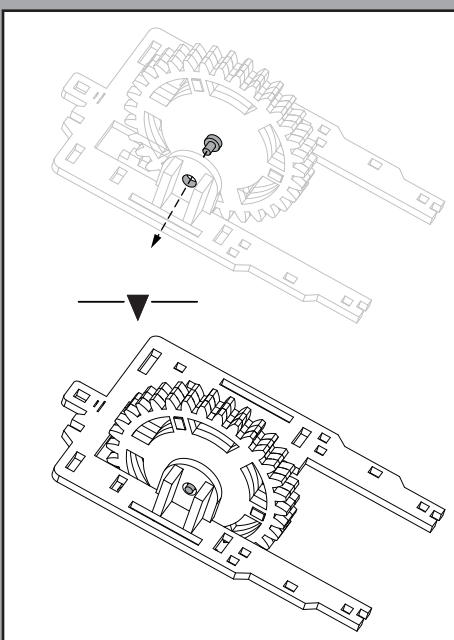
Item	Spring Roll Accessory	Spring Roll	Key	Wax	Shaft Sleeve	Steel Shaft	Steel Shaft	Steel Shaft	Steel Shaft
Number	P1	P2	P3	P4	P5	P6	P7	P8	P9
Illustration									
Quantity	1	1	1	1	60	7	2	1	1

Item	Steel Shaft	Steel Shaft	Dowel	Dowel	Dowel	Dowel
Number	P10	P11	H1	H2	H3	H4
Illustration						
Quantity	7	1	2	4	2	2

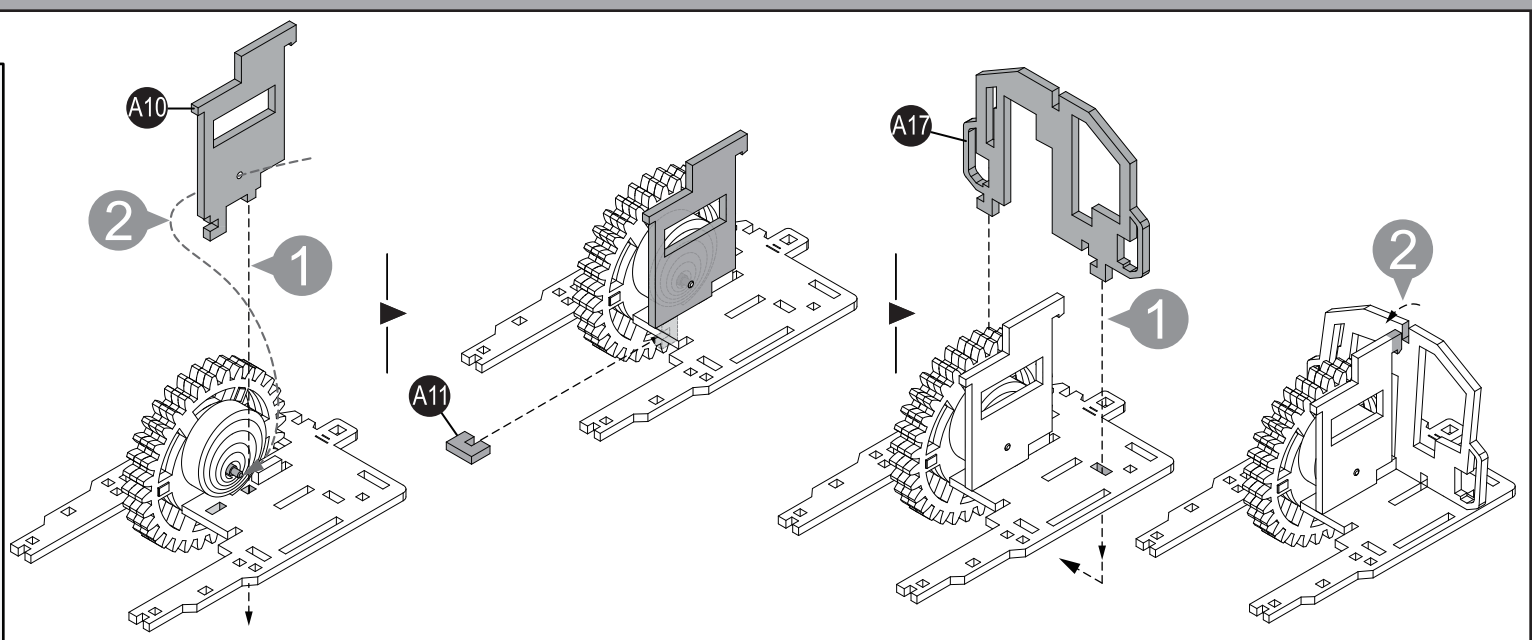
**Tips** Glue is needed if it's not firm enough after assembly, which should be prepared by yourself.

Press the slot to the end.

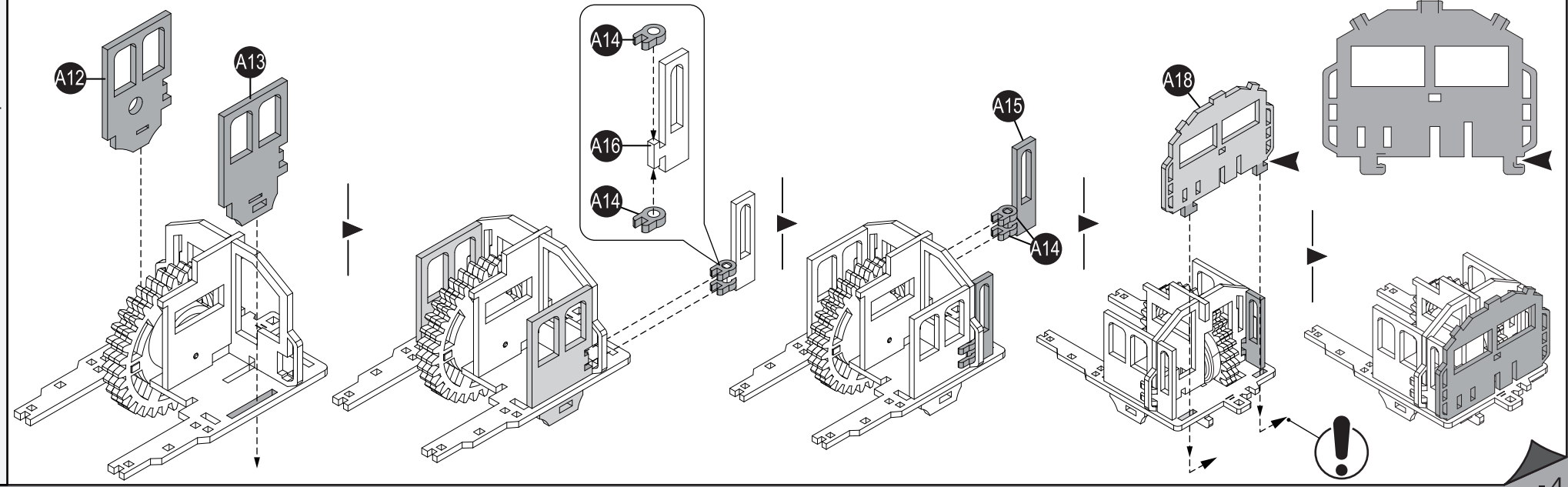




- 4**
- A10
  - A11
  - A17

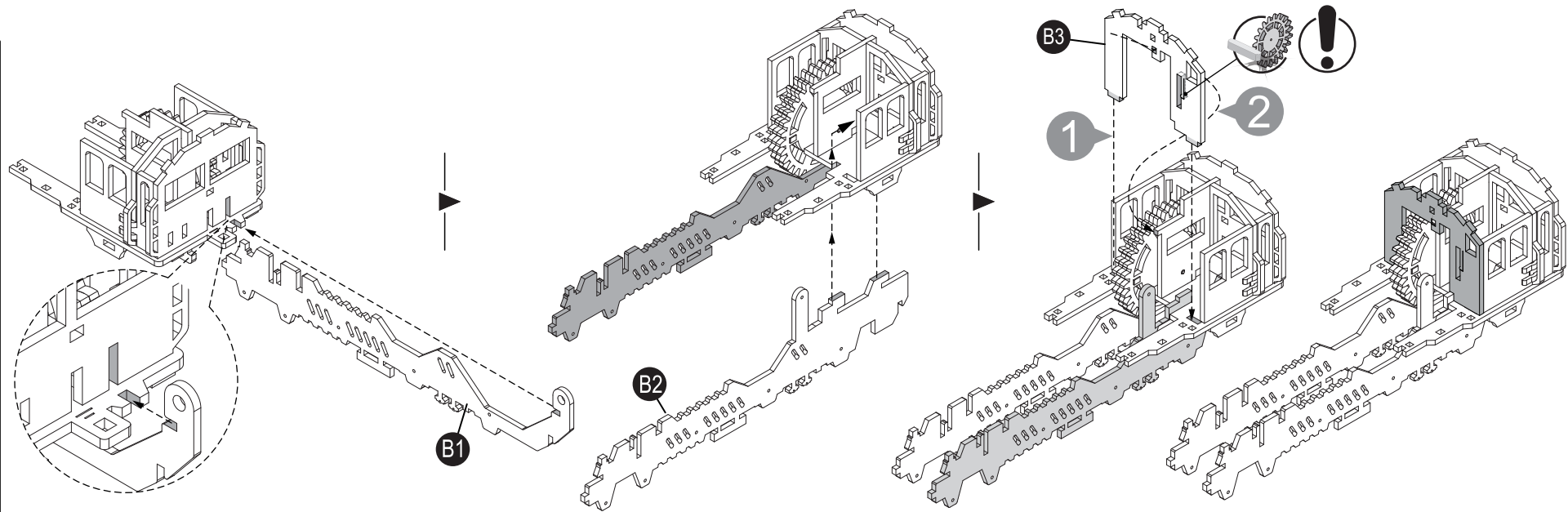


- A12
- A13
- A14x4
- A15
- A16
- A18



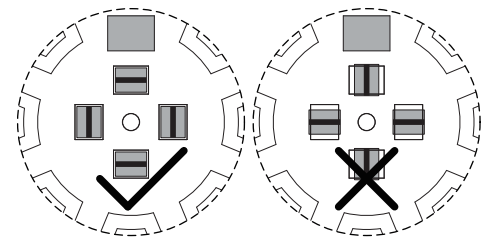
5

- B1
- B2
- B3
- B4

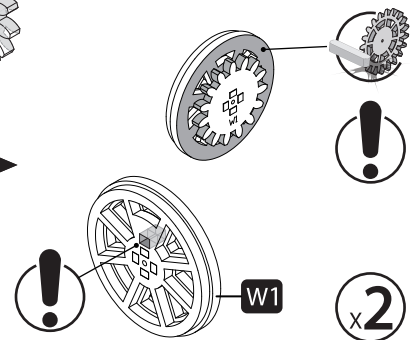
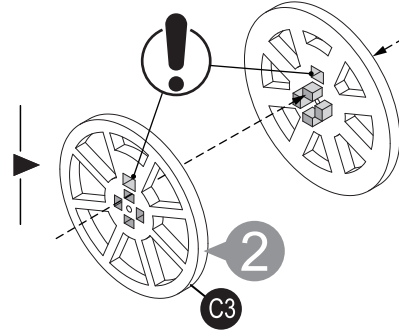
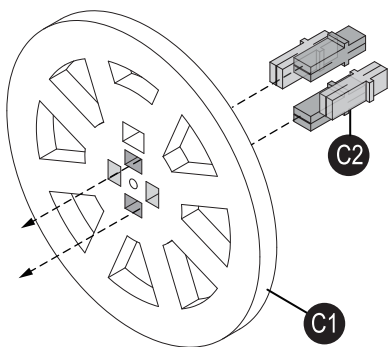
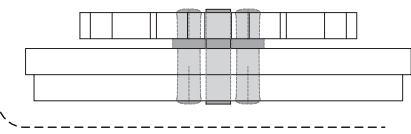


6

- C1 x2
- C2 x8
- C3 x2
- C4 x2

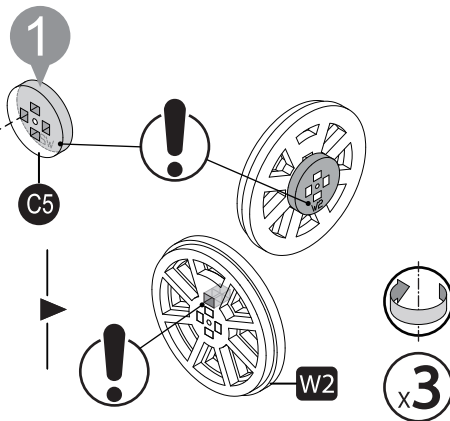
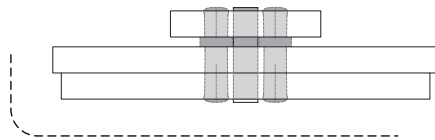
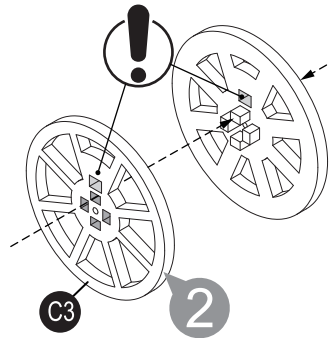
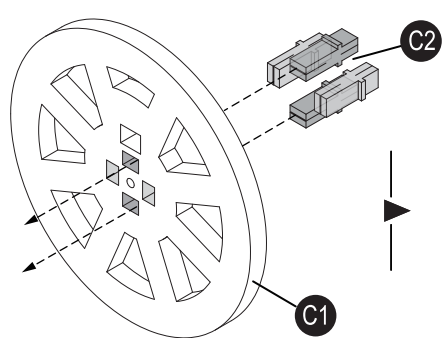
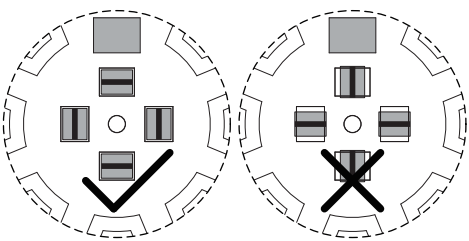


Scan for motion assembly instruction.

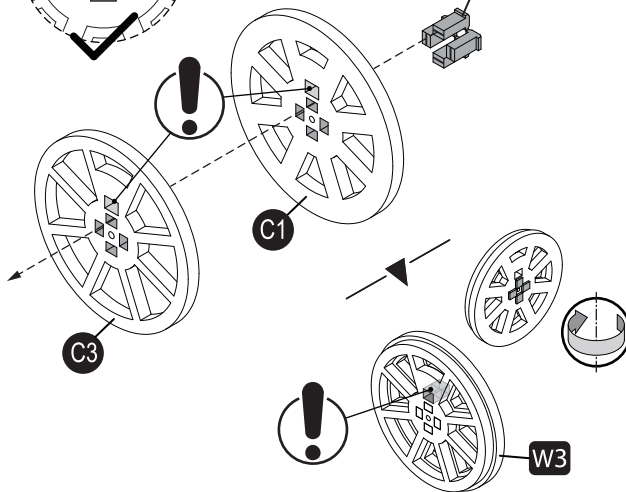
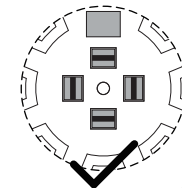


**7**

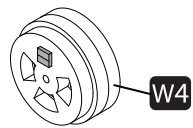
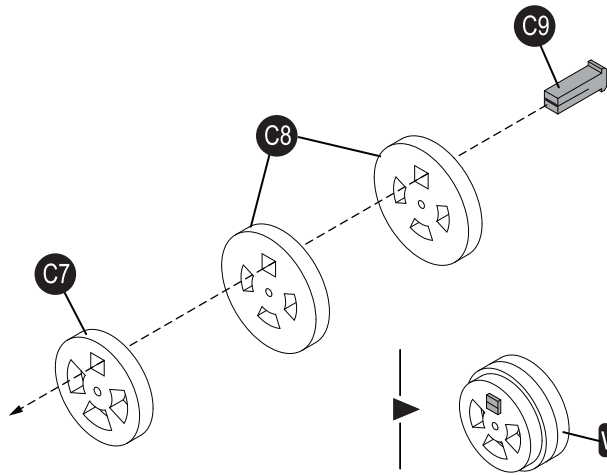
- C1** x3
- C2** x12
- C3** x3
- C5** x3

**8**

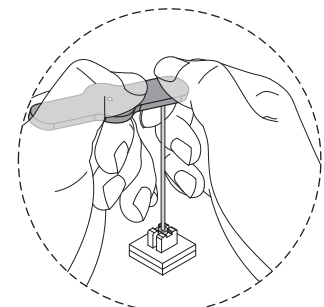
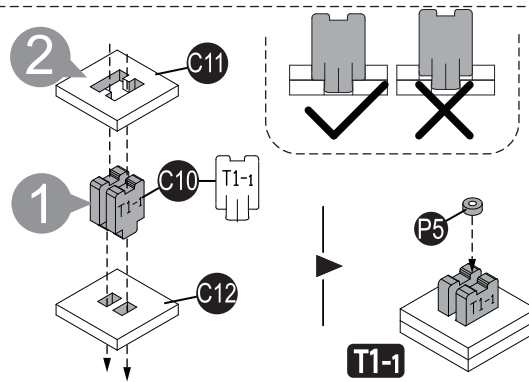
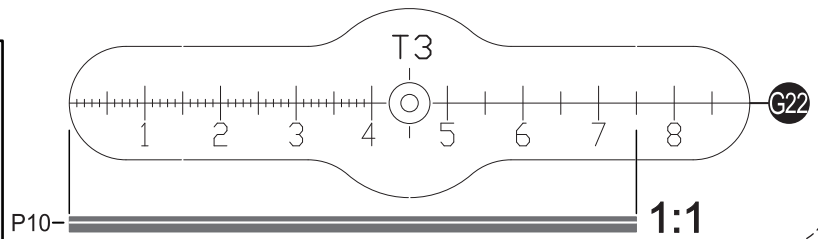
- C1**
- C3**
- C6** x4

**9**

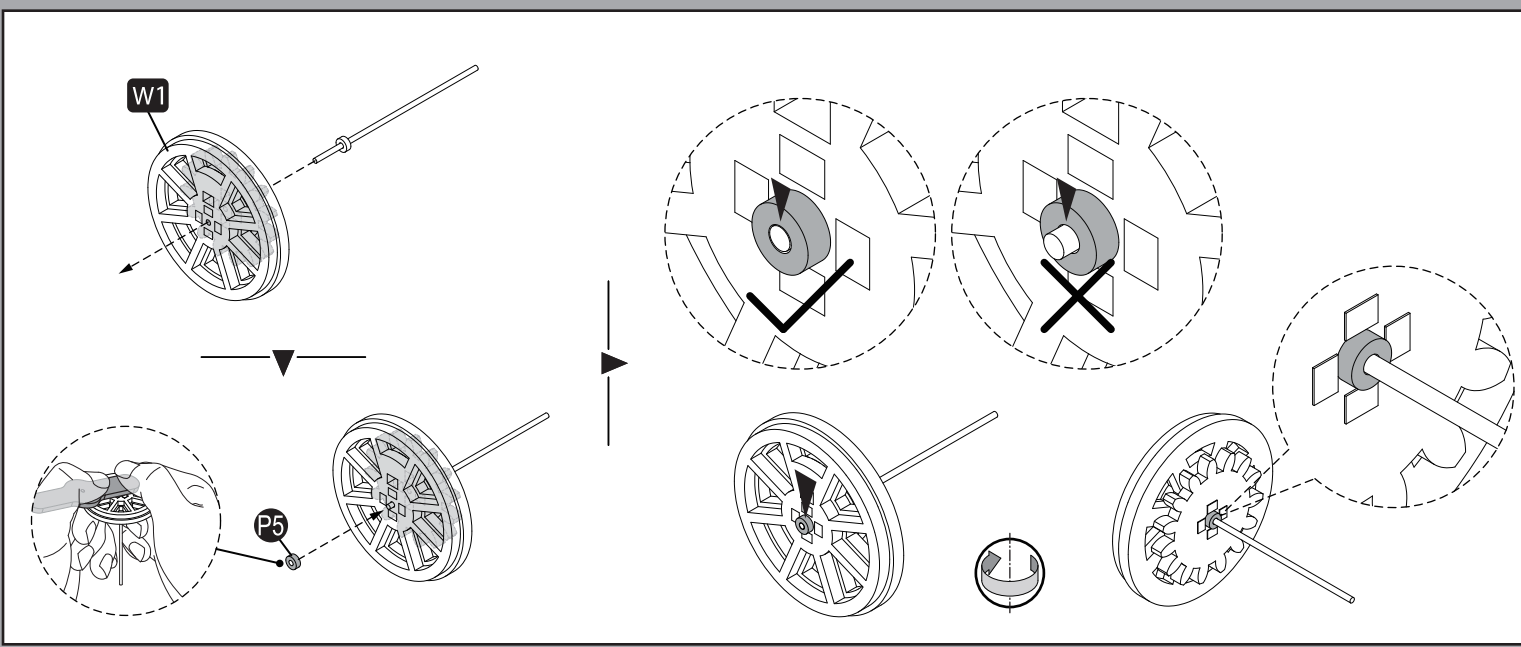
- C7** x4
- C8** x8
- C9** x4

**x4****10**

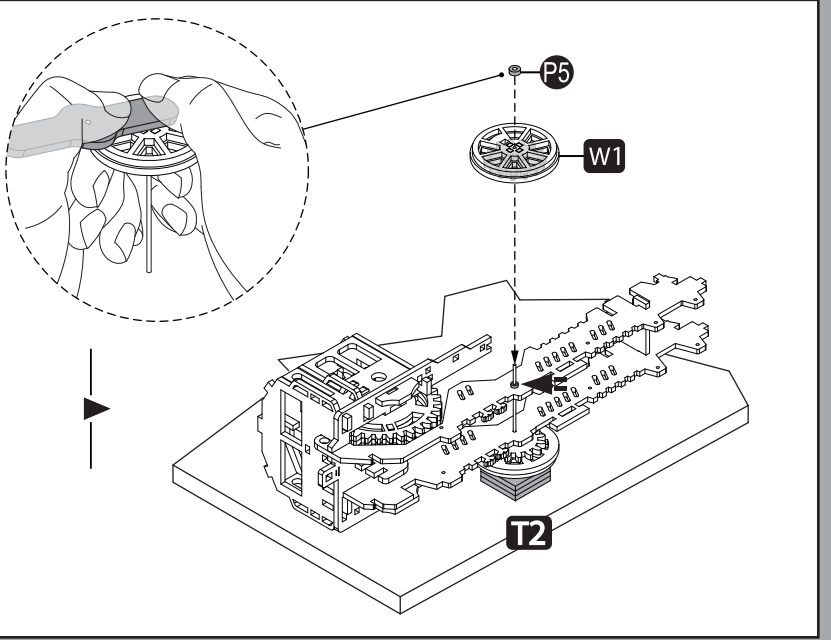
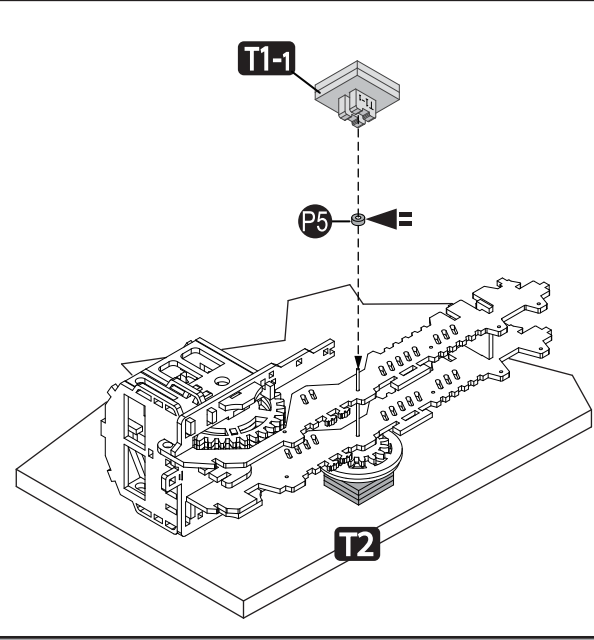
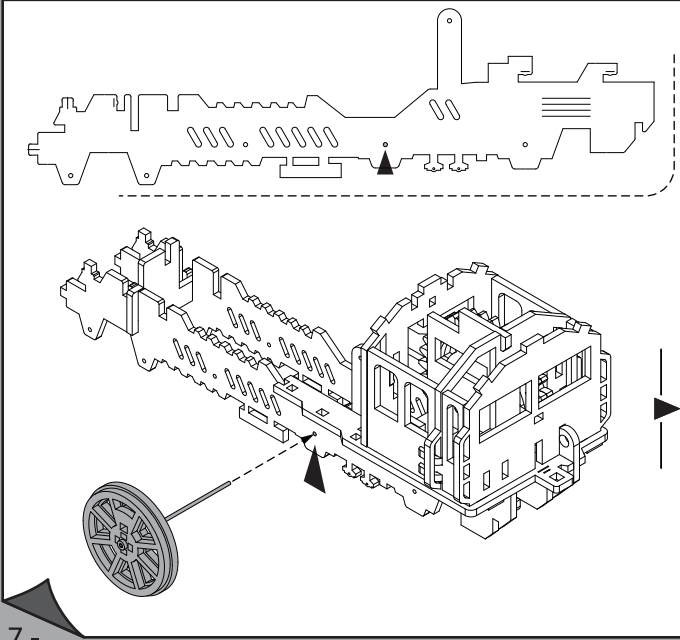
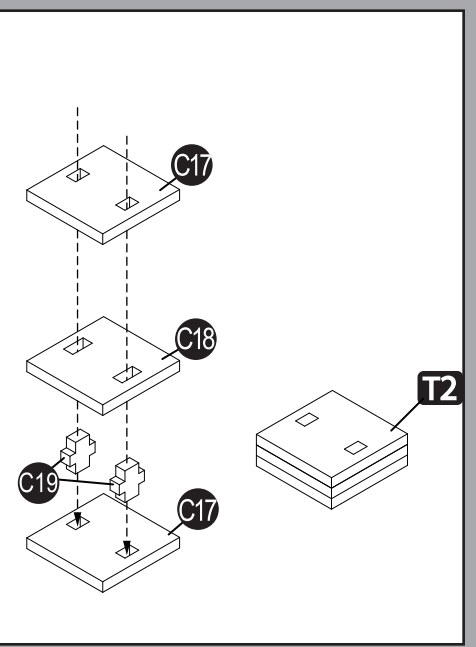
- C10** x2
- C11**
- C12**
- G22**
- P5** x2
- P10**



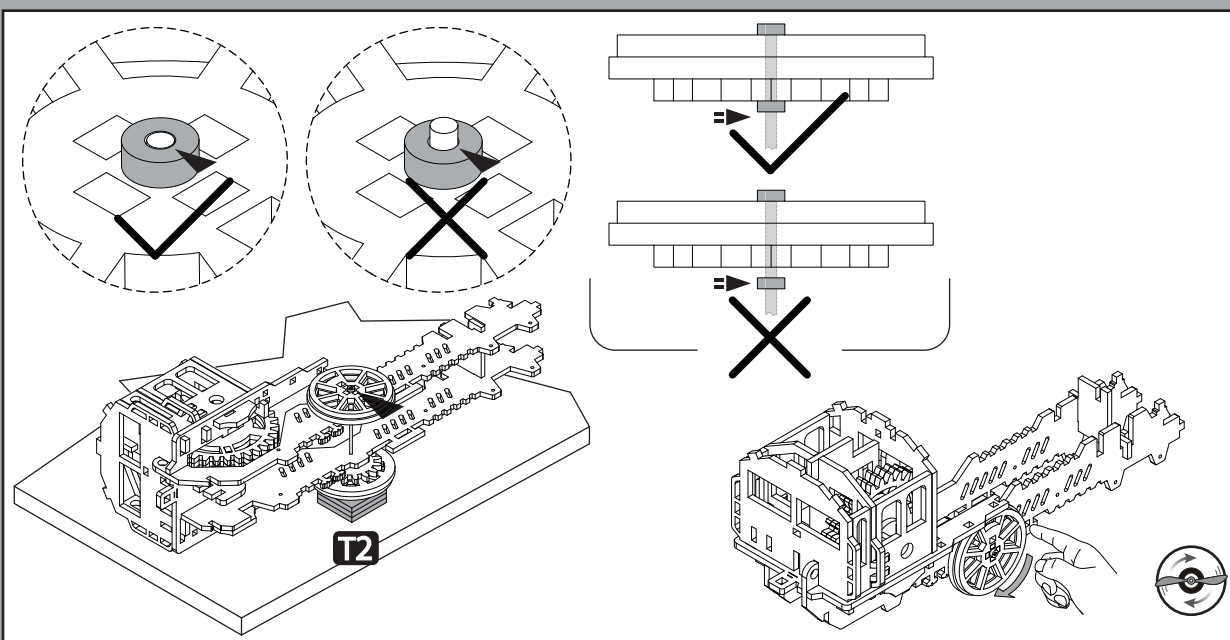
**Note:**  
All the parts with letter T are auxiliary tools. Do not install them on the model.



- 11**
- C17x2
  - C18
  - C19x2
  - P5x2





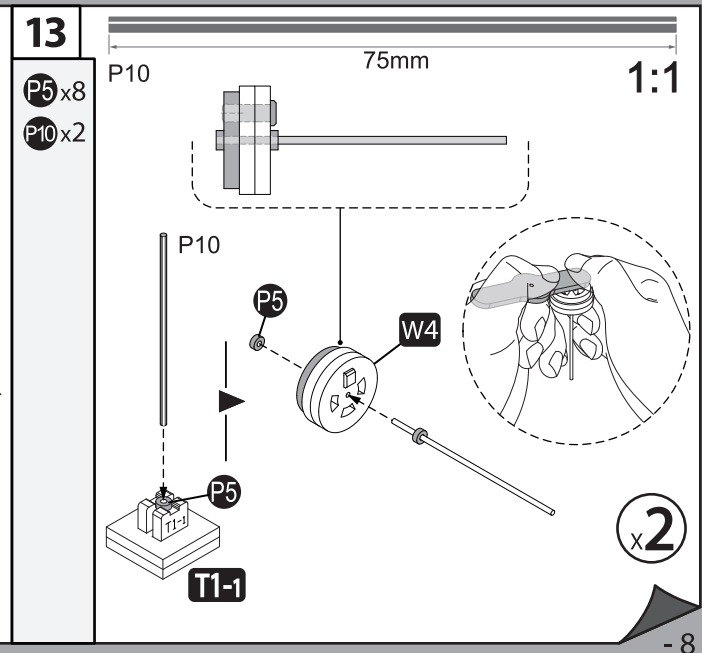
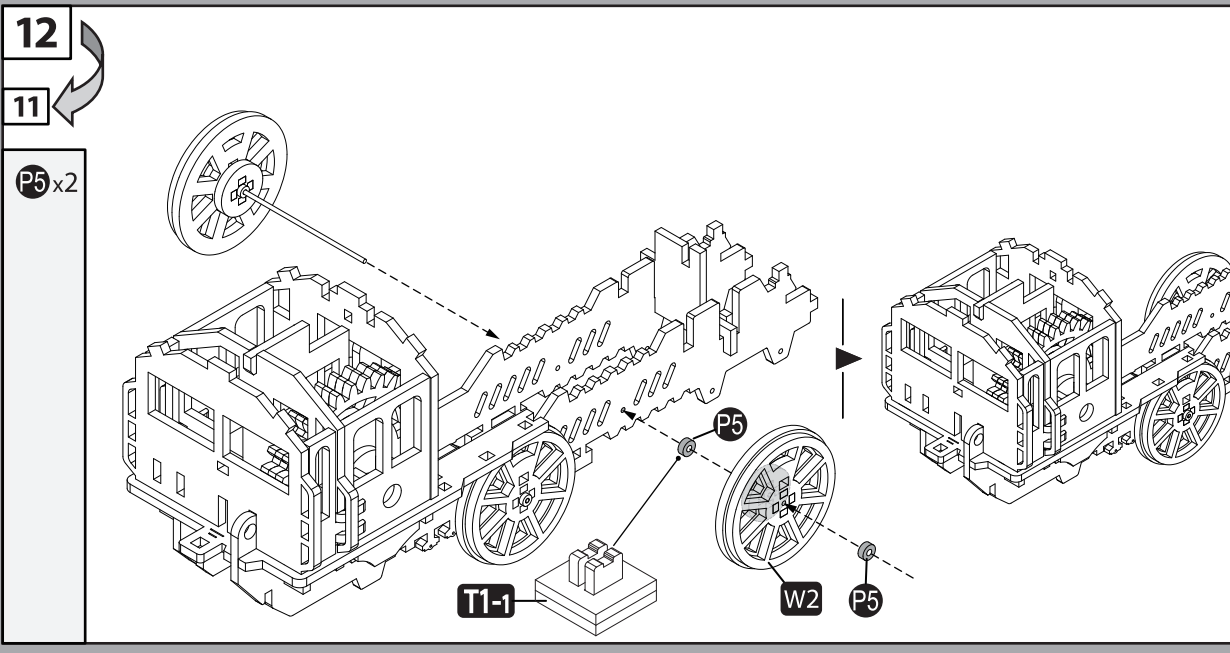
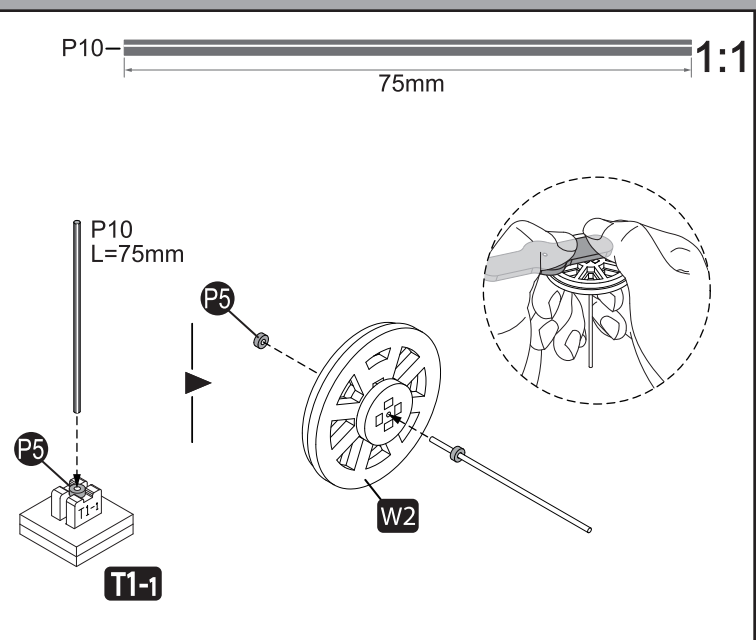


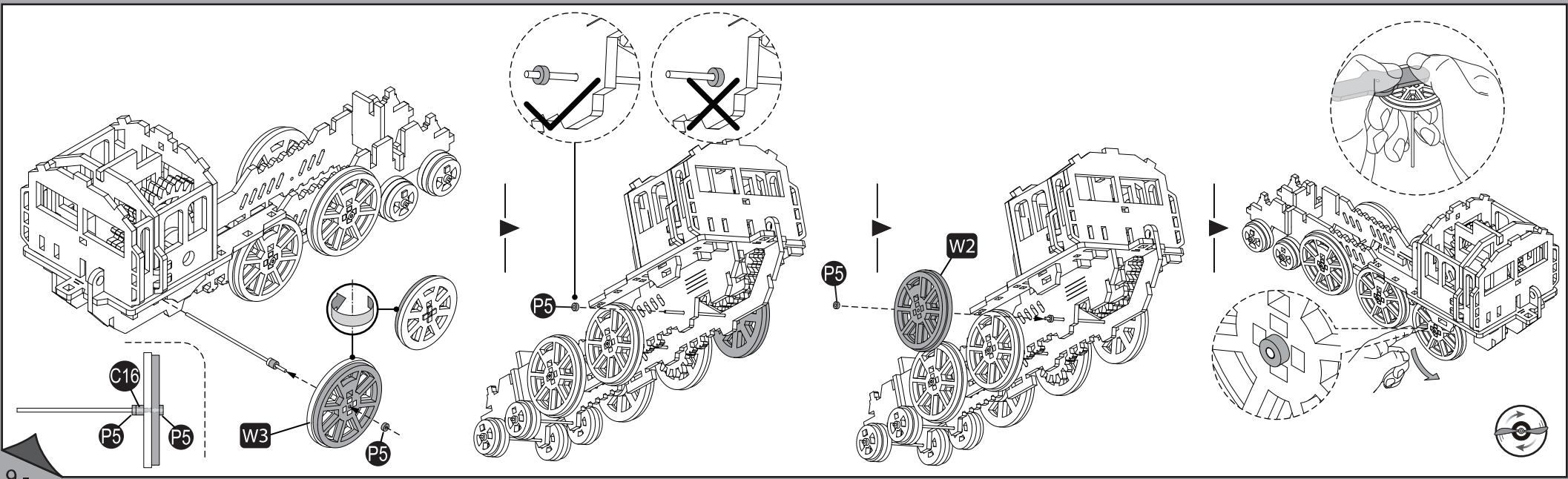
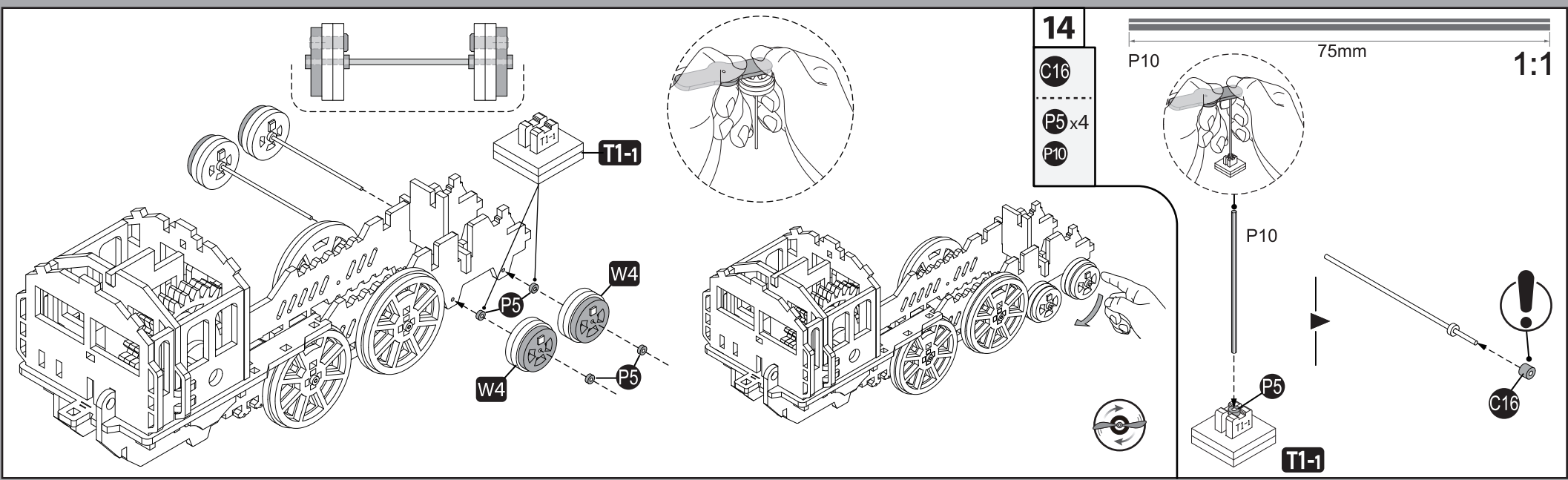
**12**

**10**

P5 x2

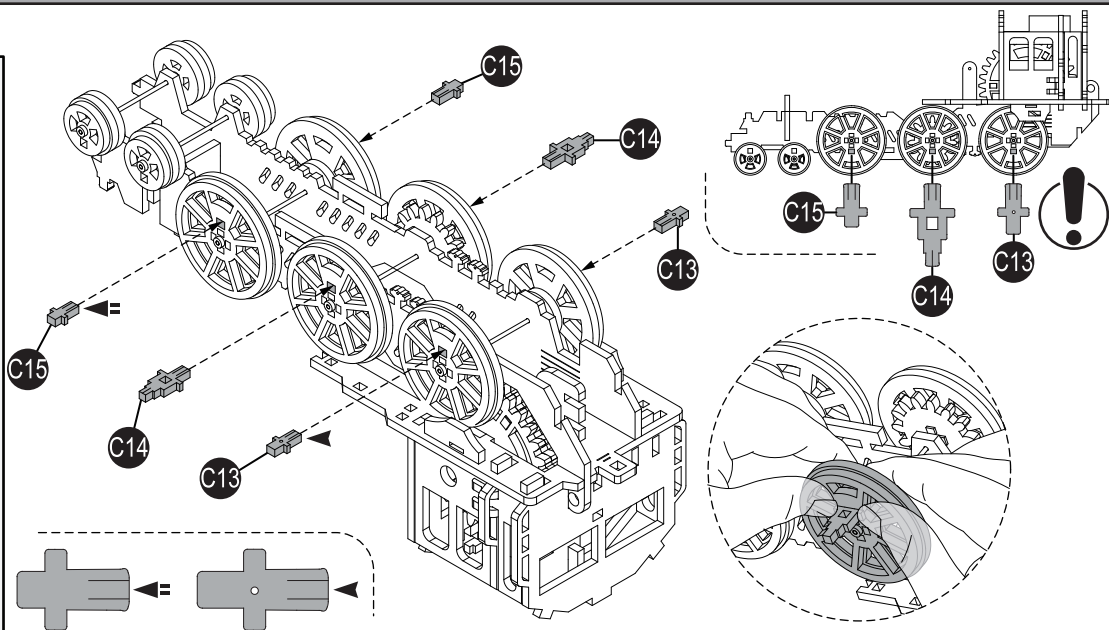
P10



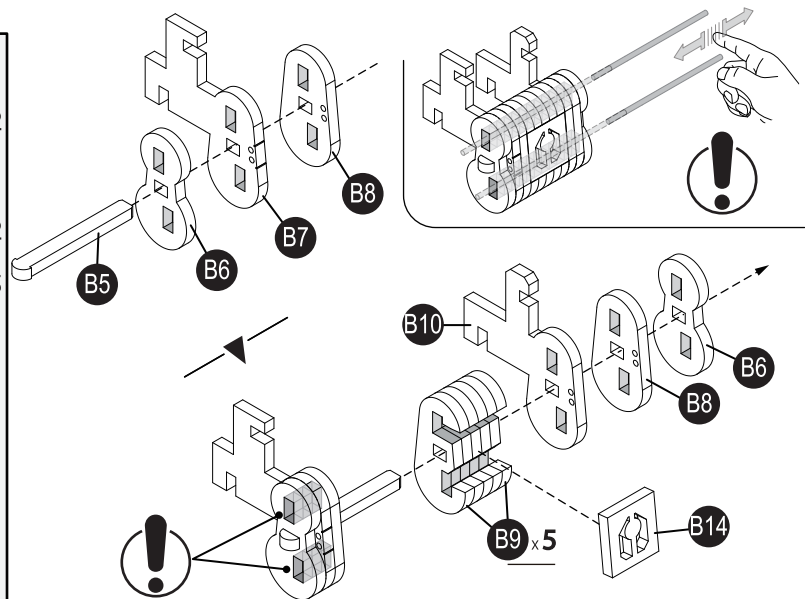


**15**

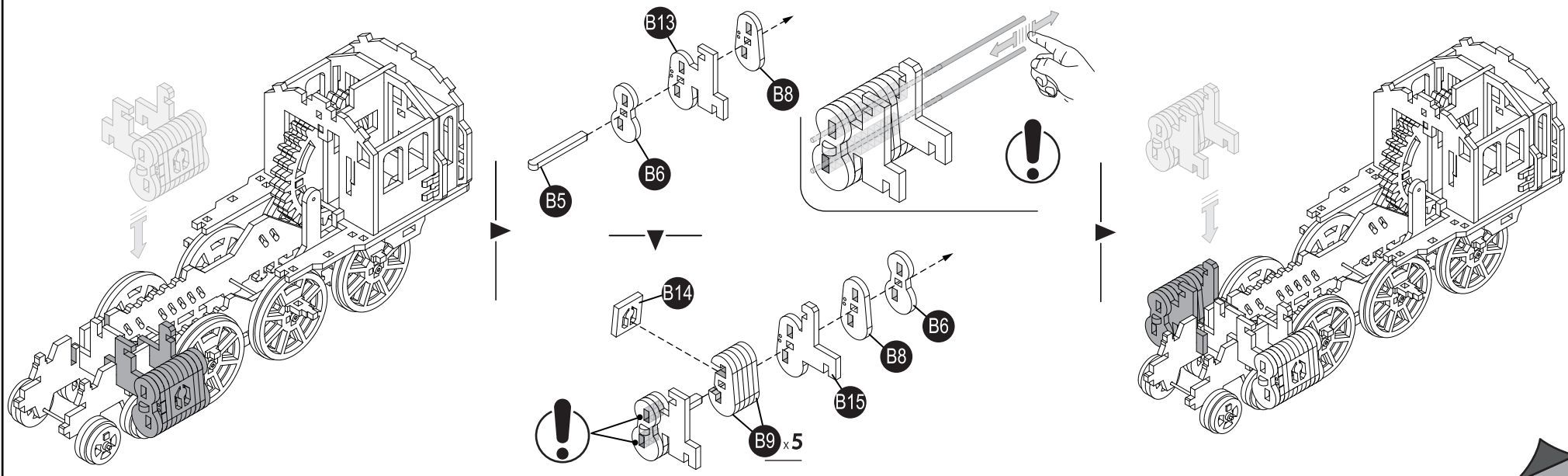
- C13** x2
- C14** x2
- C15** x2

**16**

- B5**
- B6** x2
- B7**
- B8** x2
- B9** x5
- B10**
- B14**



- B5**
- B6** x2
- B8** x2
- B9** x5
- B13**
- B14**
- B15**



17

B11

B12

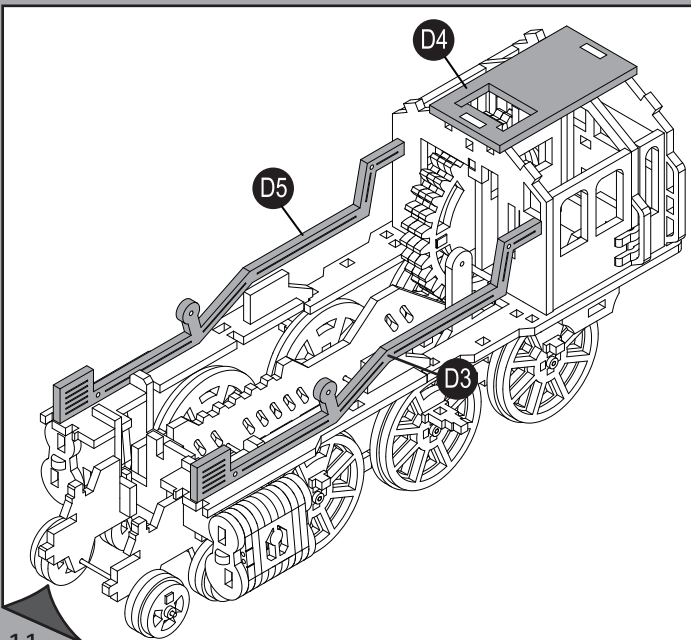
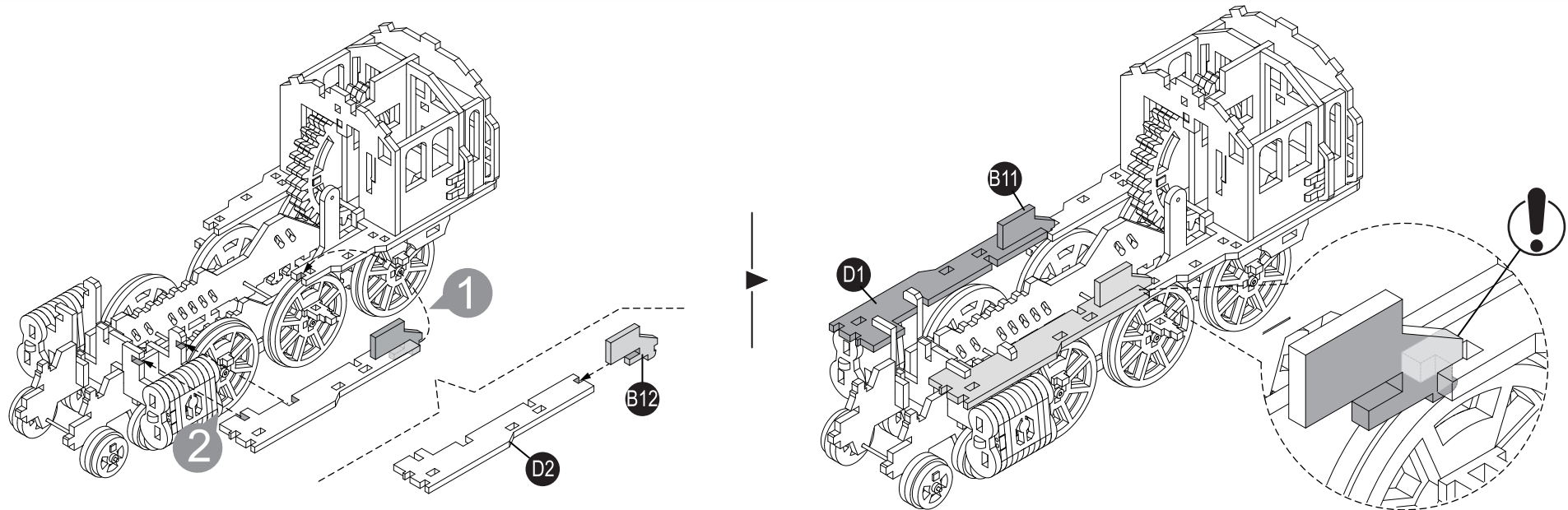
D1

D2

D3

D4

D5



18

D6

D7 x2

D8

D9

D10 x3

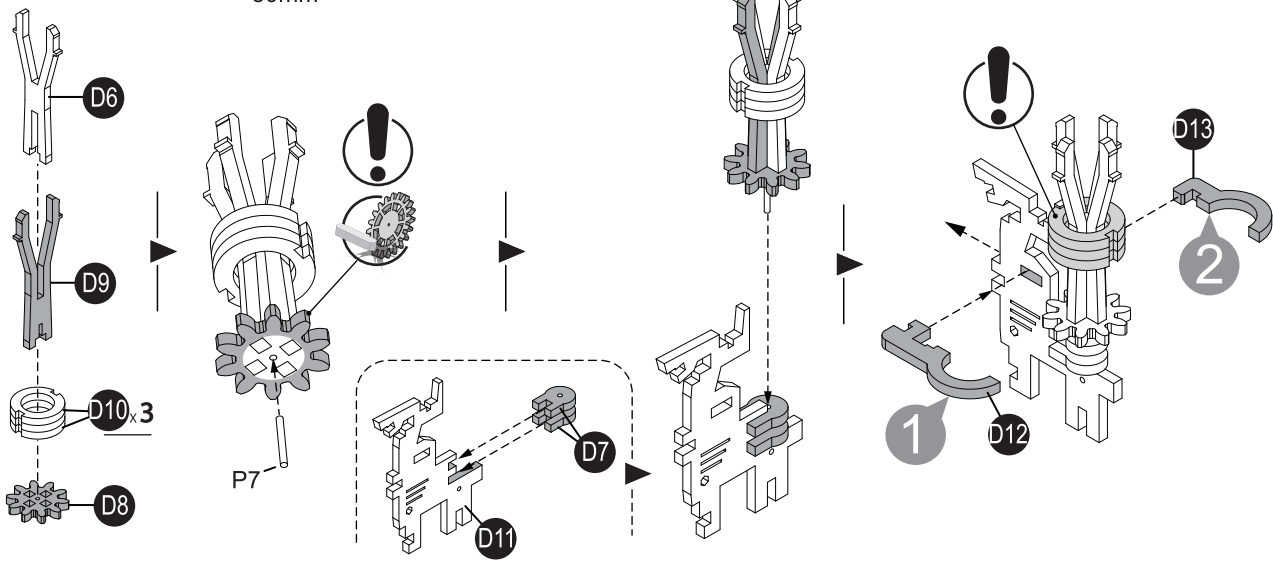
D11

D12

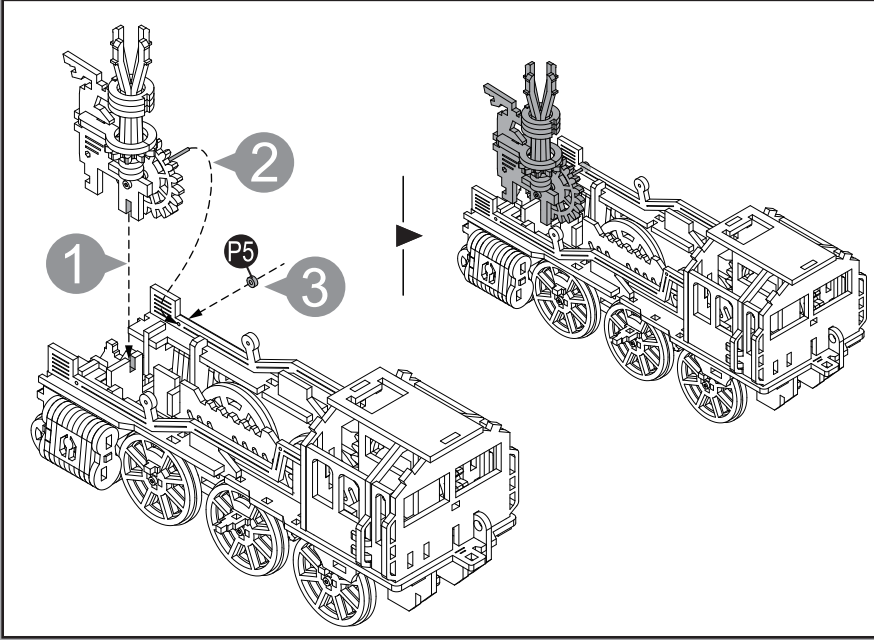
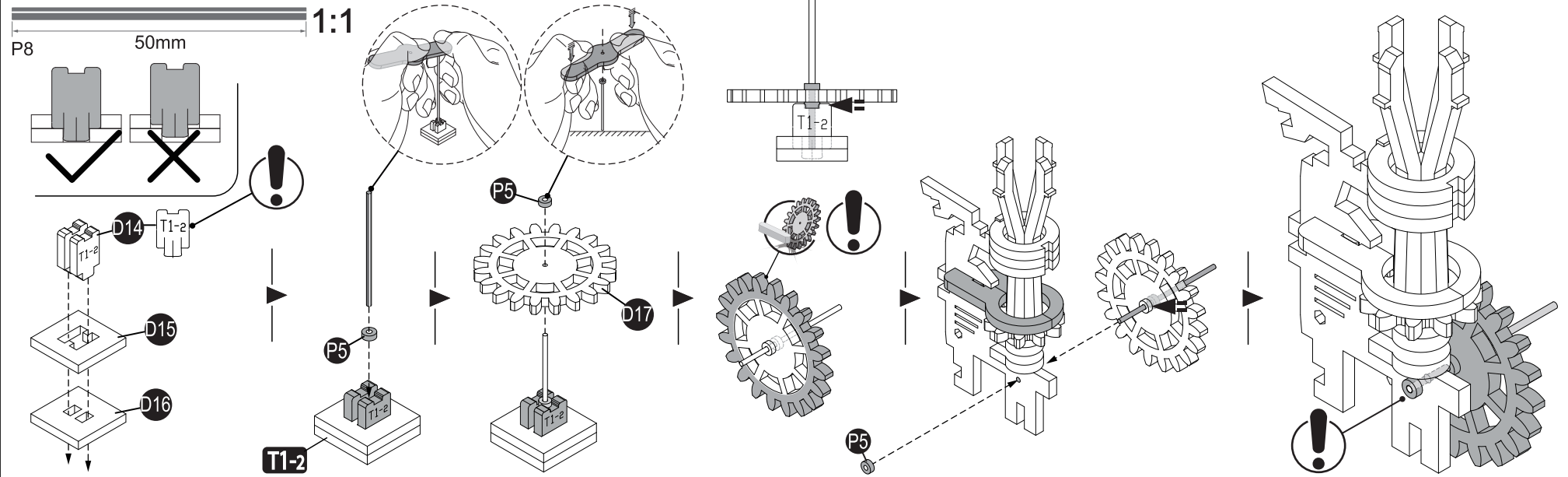
D13

P7

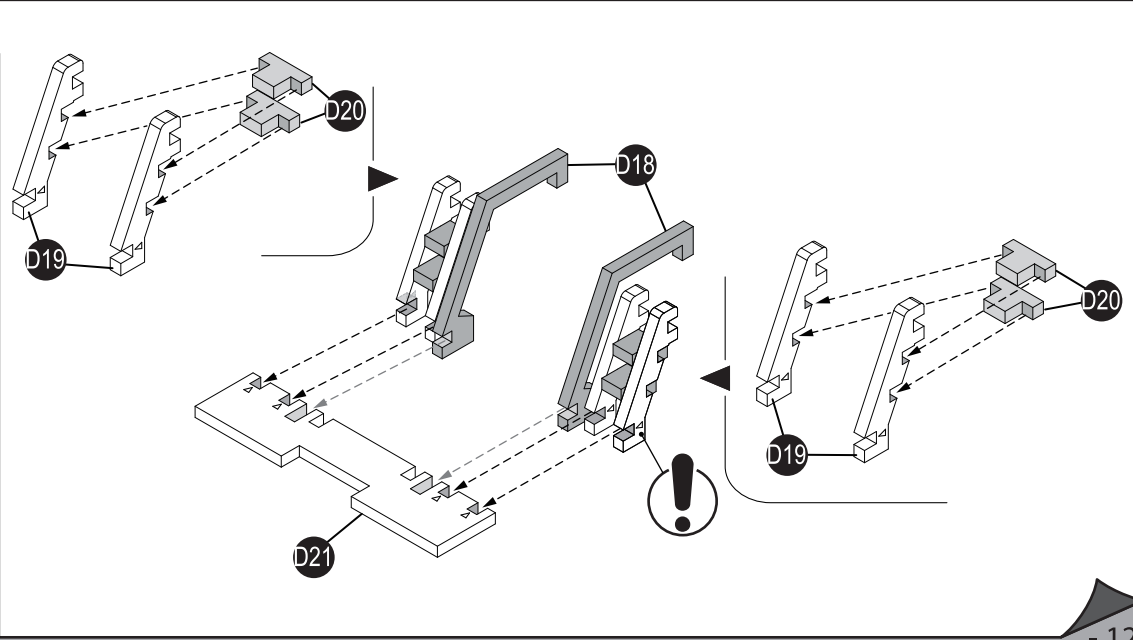
P7 — 30mm — 1:1

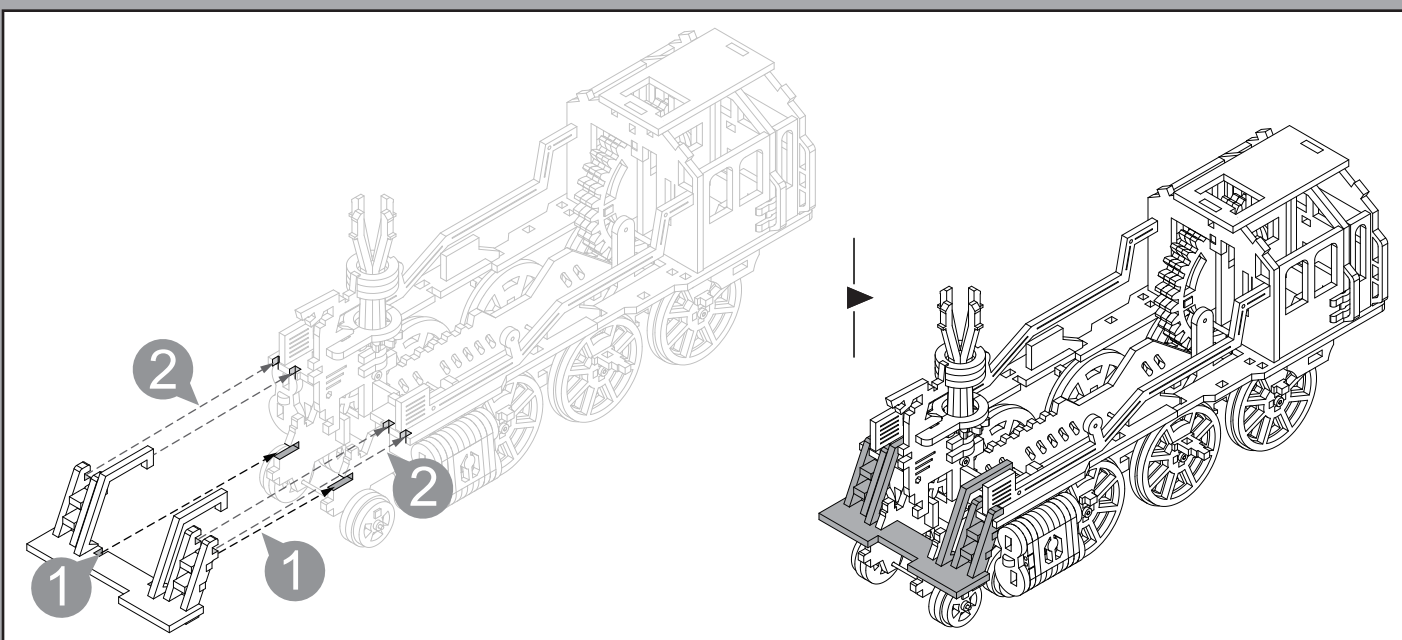


- D14 x2
- D15
- D16
- D17
- P5 x4
- P8

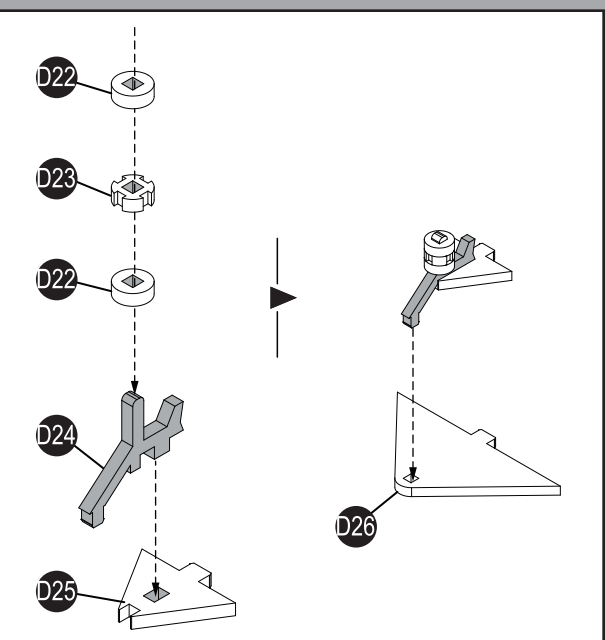


- 19
- D18 x2
  - D19 x4
  - D20 x4
  - D21

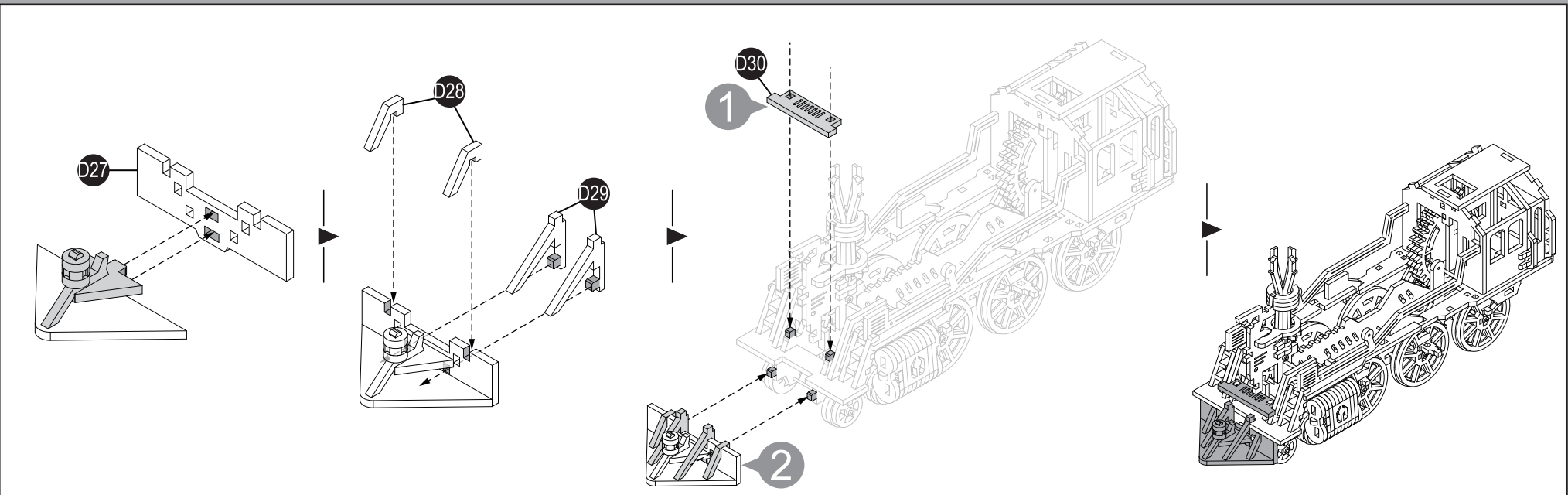




- 20**
- D22 x2
  - D23
  - D24
  - D25
  - D26



- D27
- D28 x2
- D29 x2
- D30



21

- D31
- D32
- D33

E1

E2

E3 x2

E4

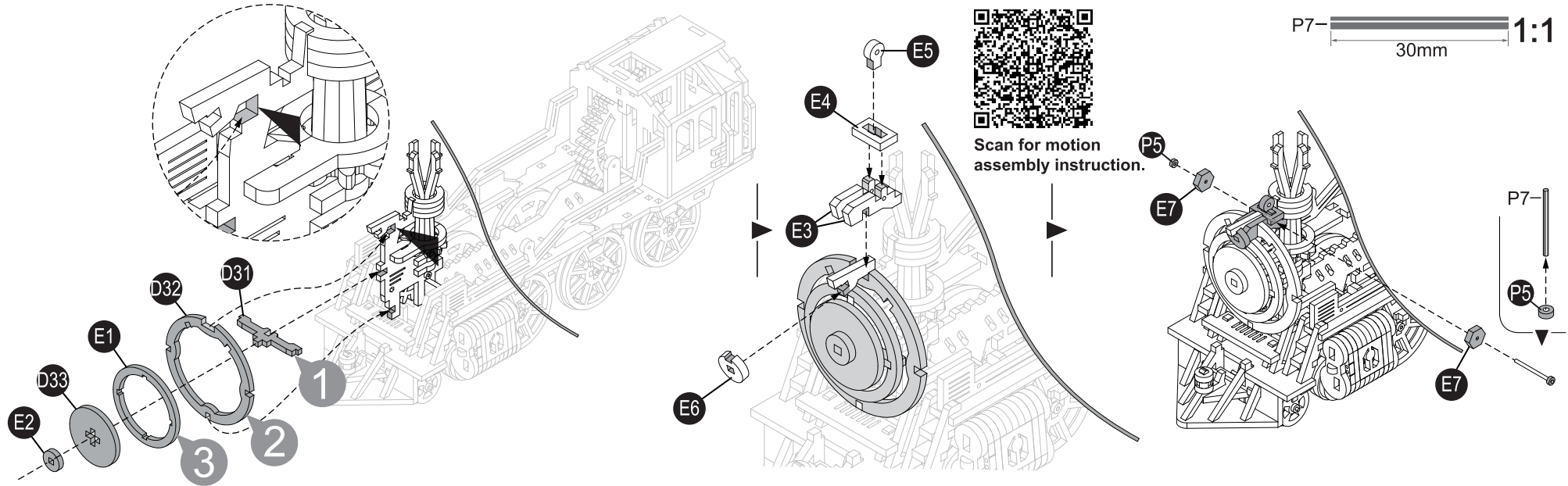
E5

E6

E7 x2

P5 x2

P7



22

E8

E9

E10 x2

E11 x2

E12 x2

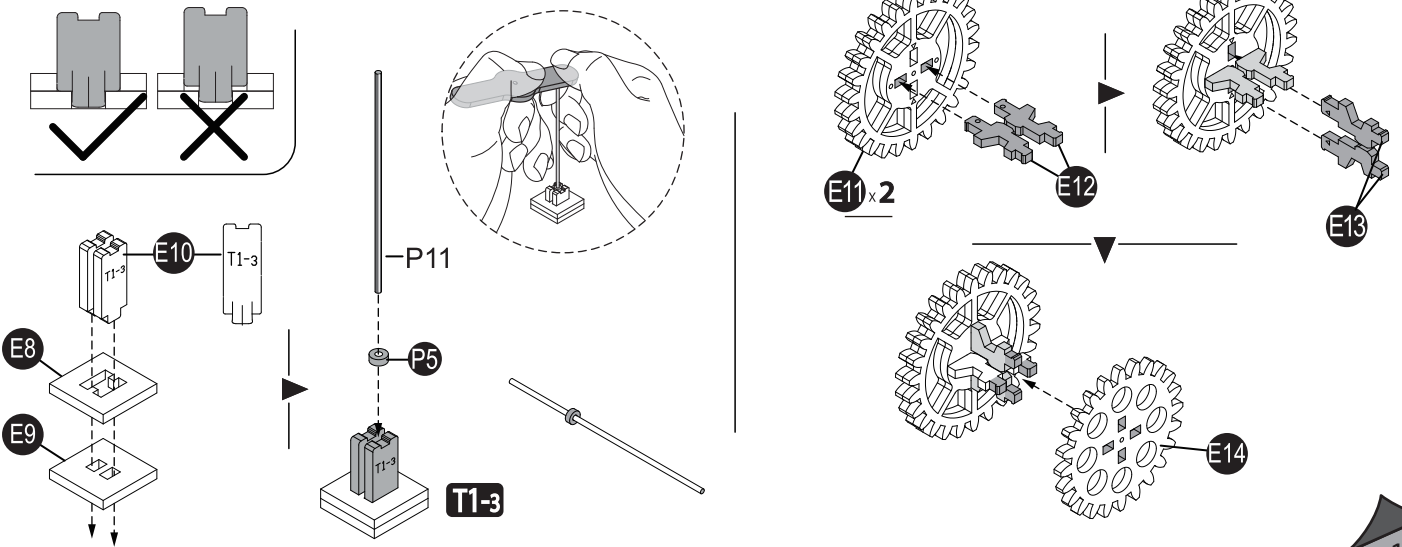
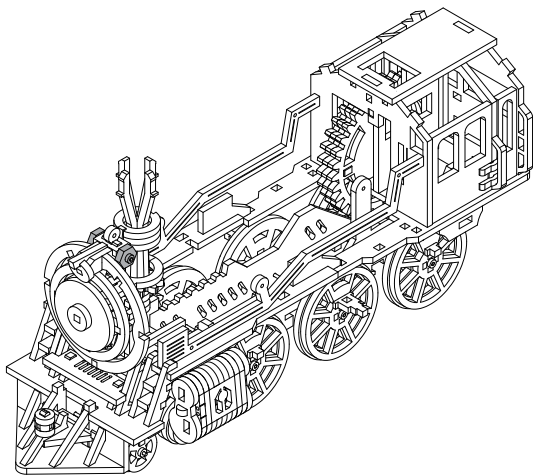
E13 x2

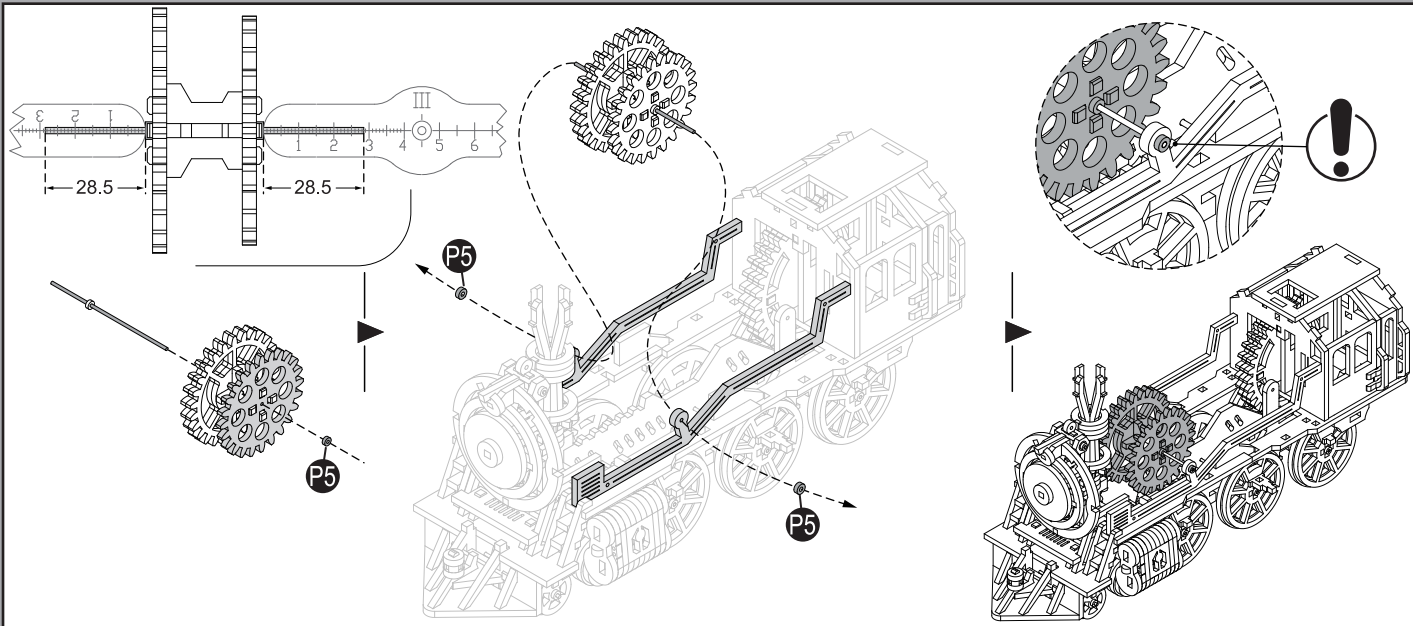
E14

P5 x4

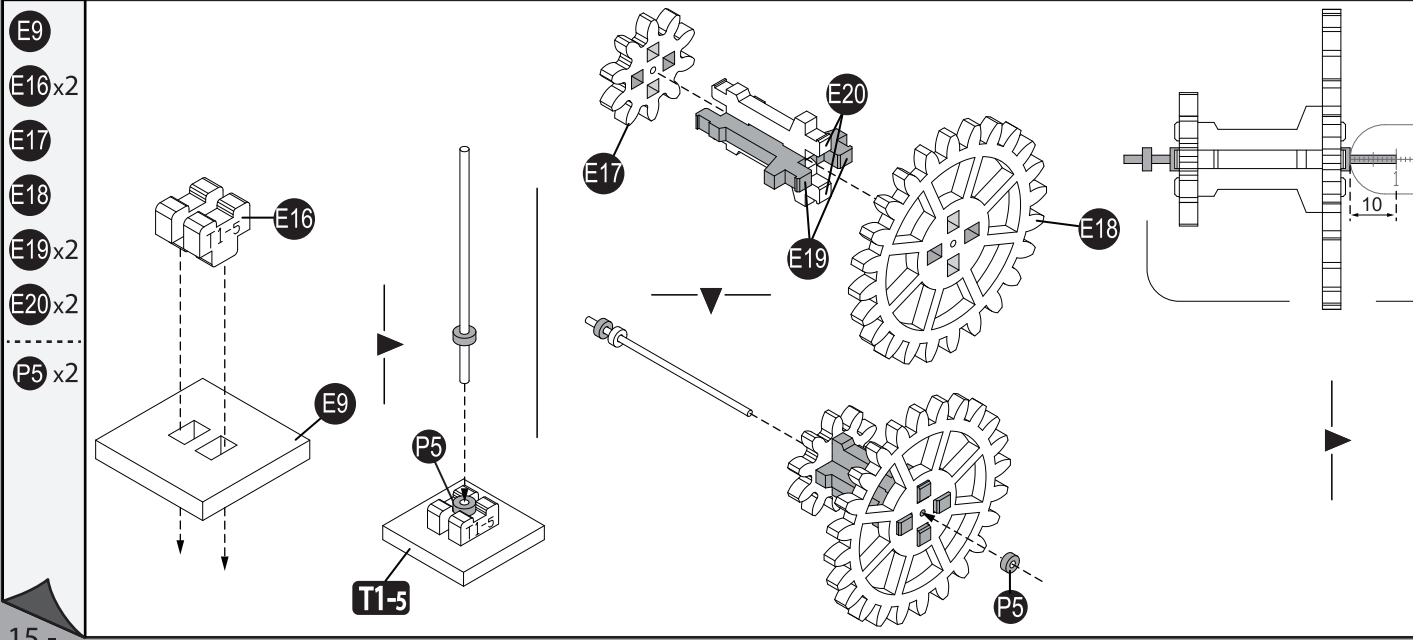
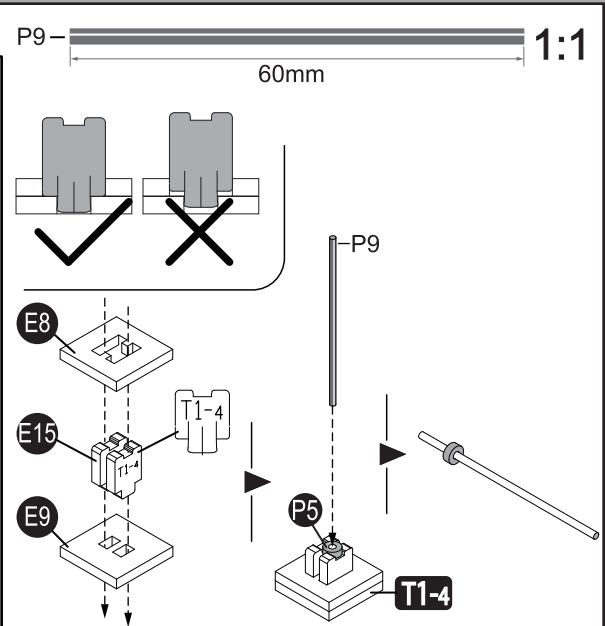
P11

P11 ————— 90mm ————— 1:1

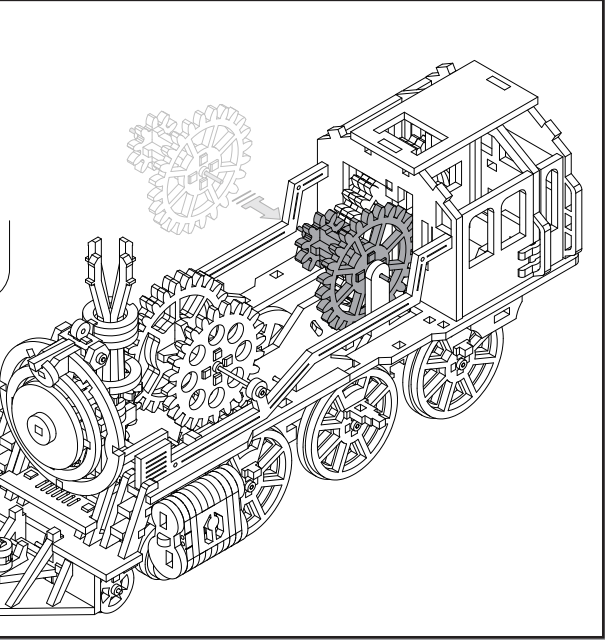




- 23**
- E8
  - E9
  - E15x2
  - P5
  - P9

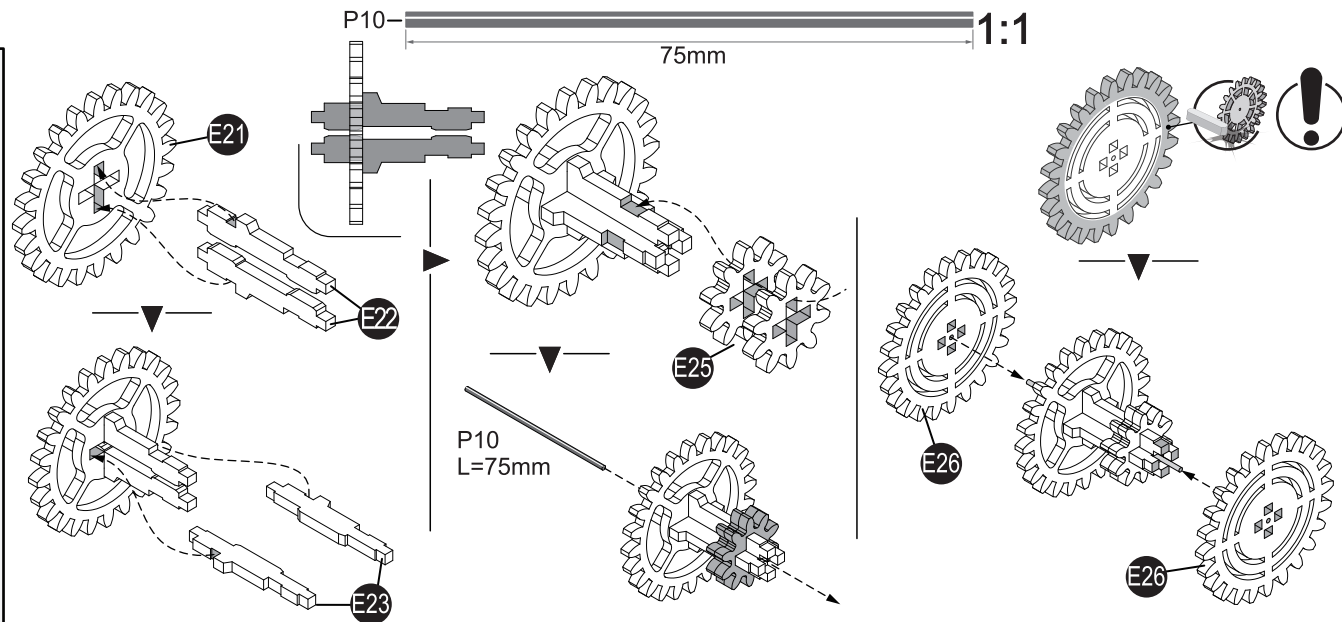


- E9
- E16x2
- E17
- E18
- E19x2
- E20x2
- P5 x2

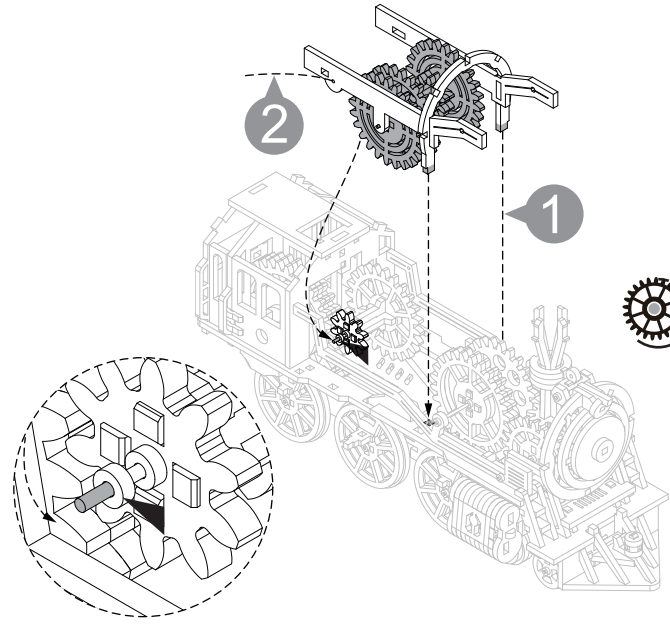
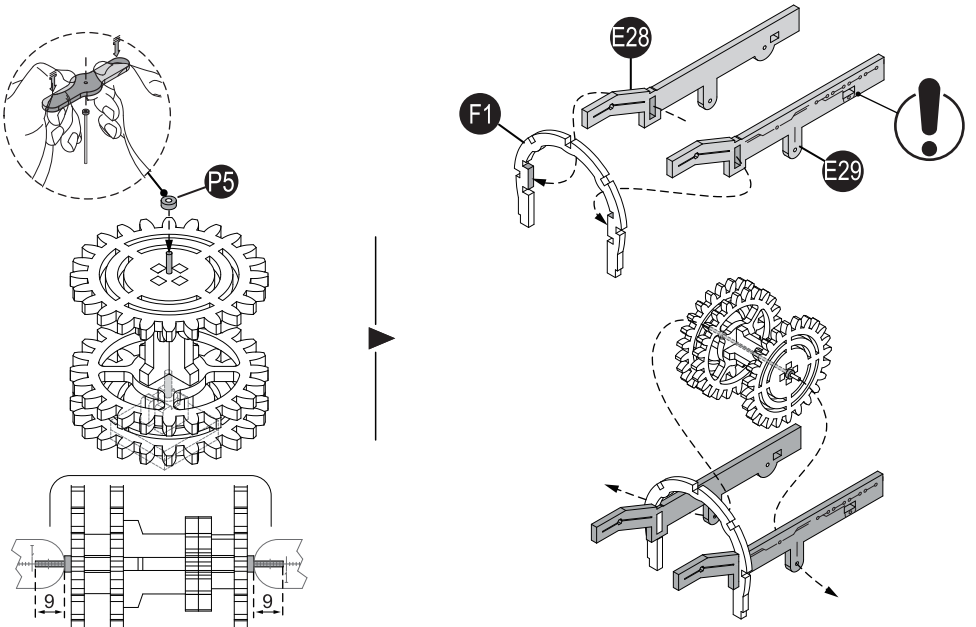
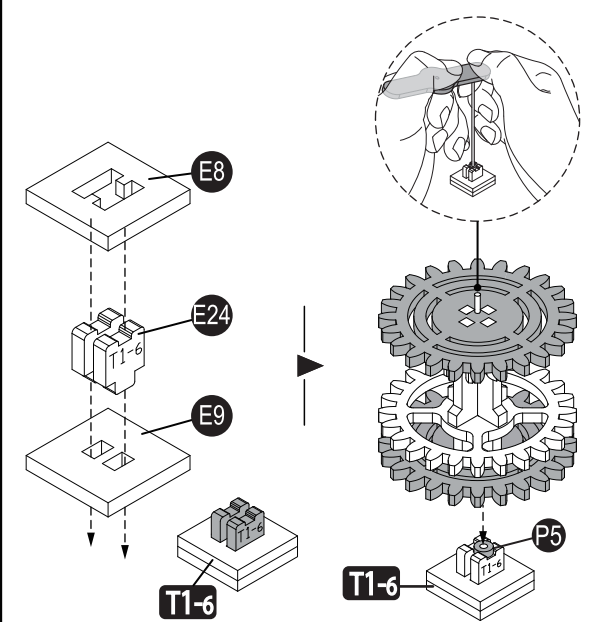




- E21
- E22 x2
- E23 x2
- E25 x2
- E26 x2
- P10



- E8
- E9
- E24 x2
- E28
- E29
- F1
- P5 x2

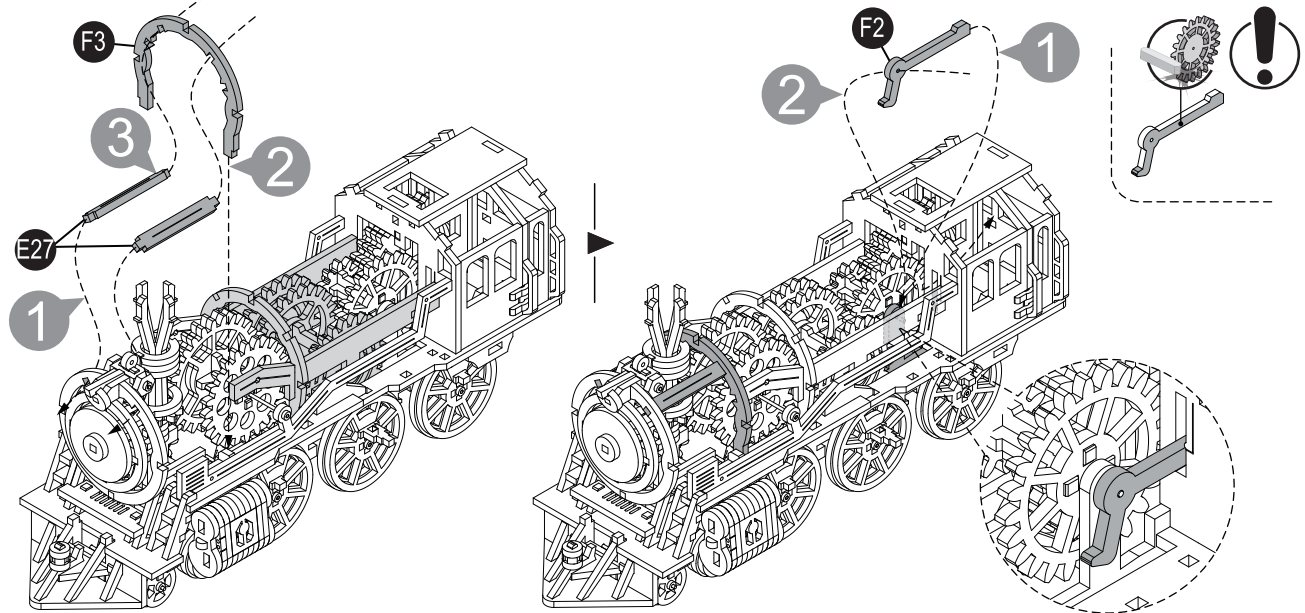


Scan for motion assembly instruction.

E27 x2

F2

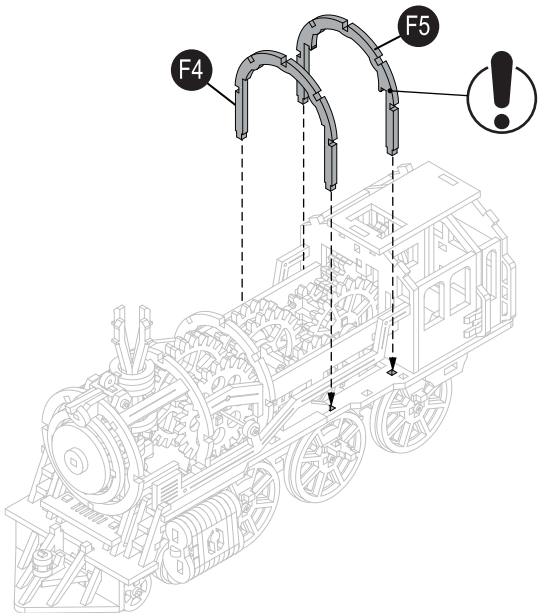
F3



25

F4

F5



F6

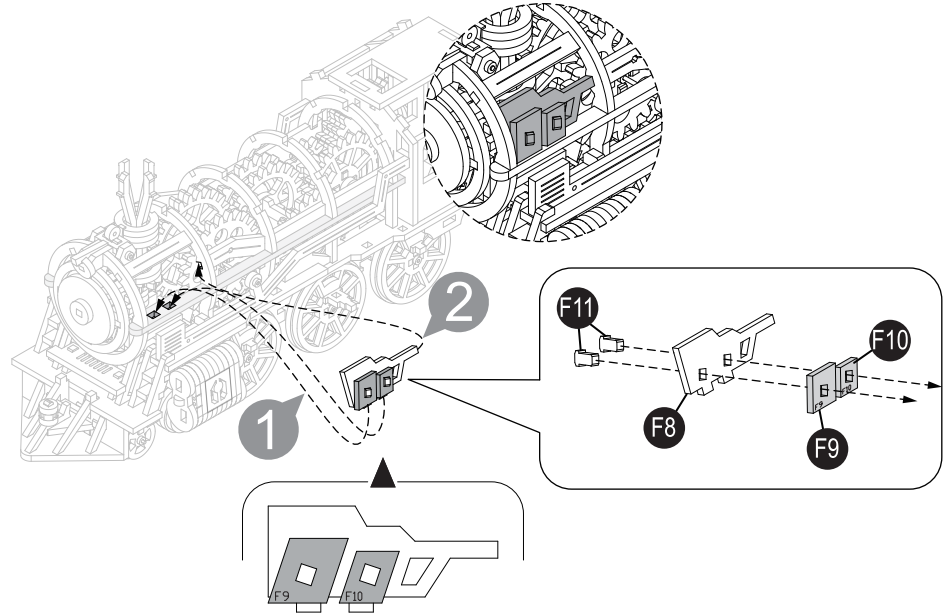
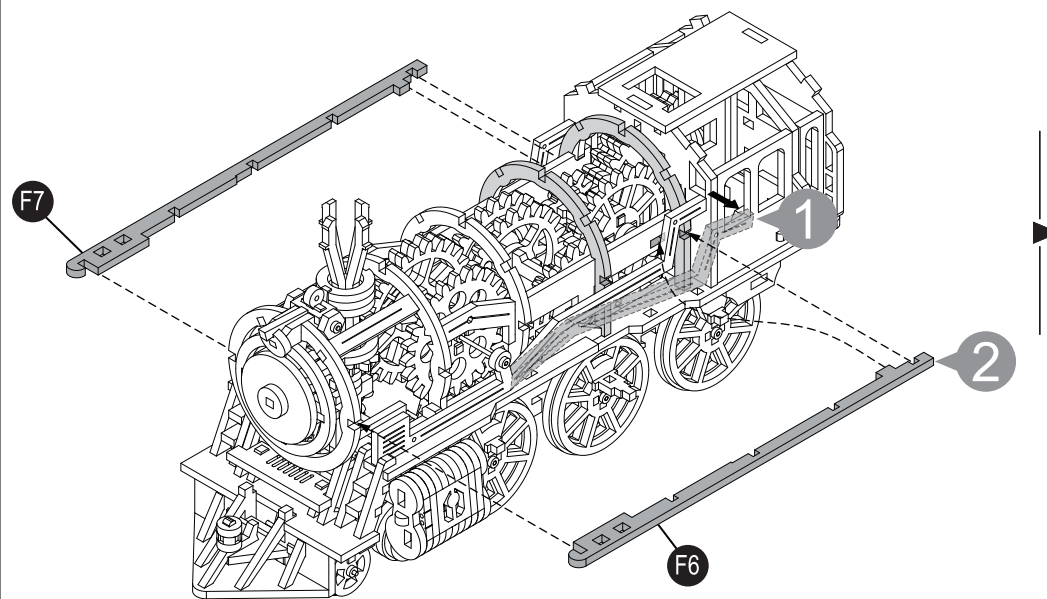
F7

F8

F9

F10

F11 x2

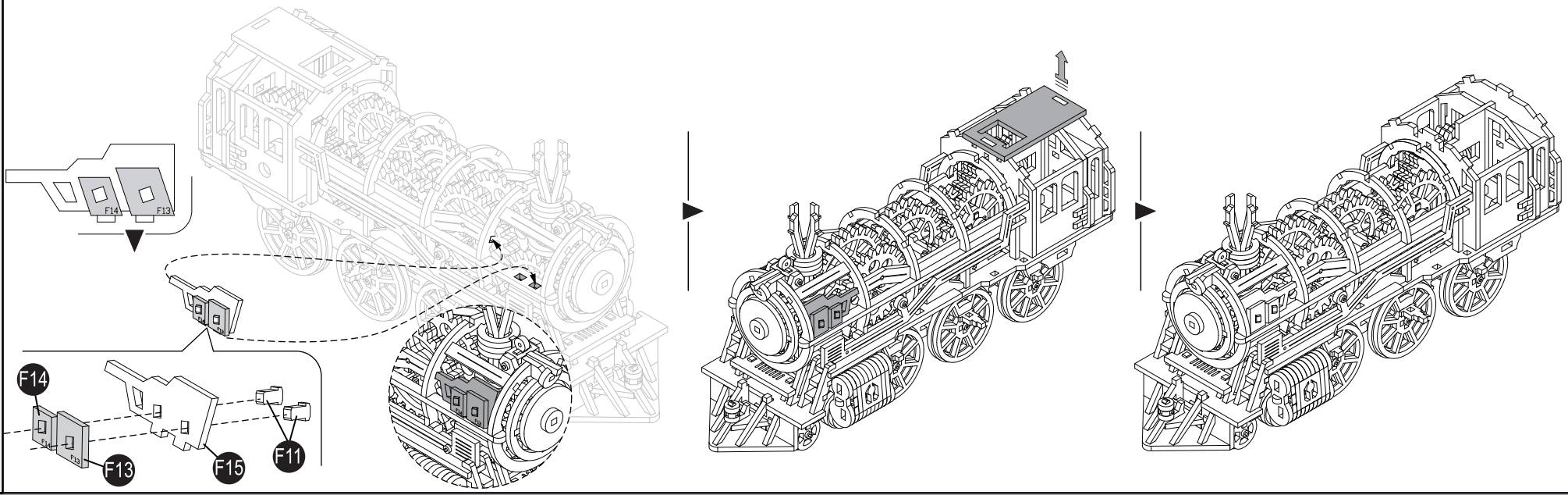


F11 x2

F13

F14

F15



26

F12

F16

F17

F18

F19

F20

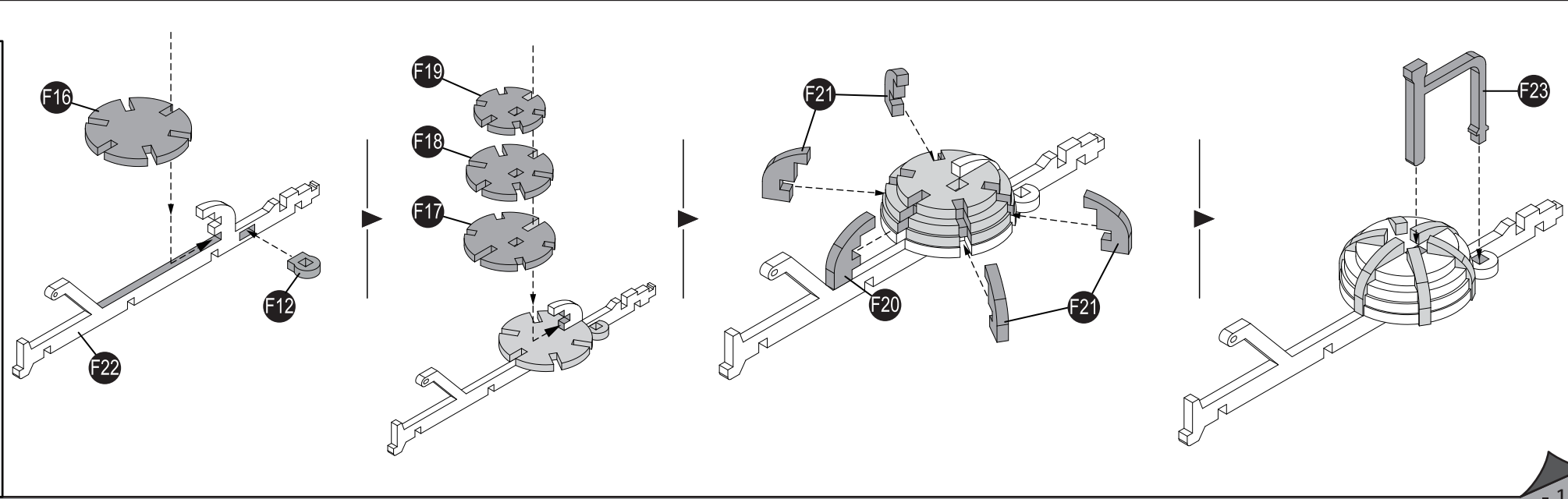
F21 x4

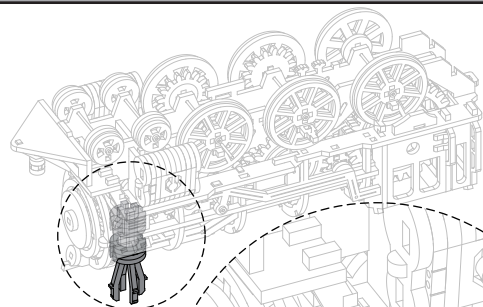
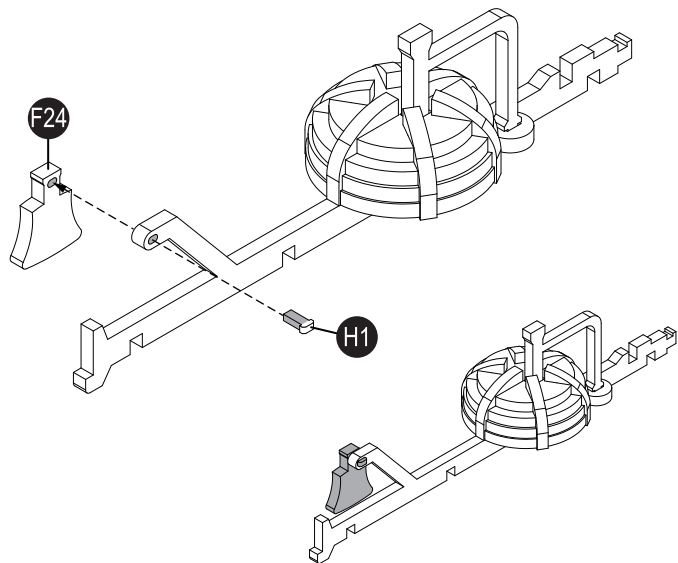
F22

F23

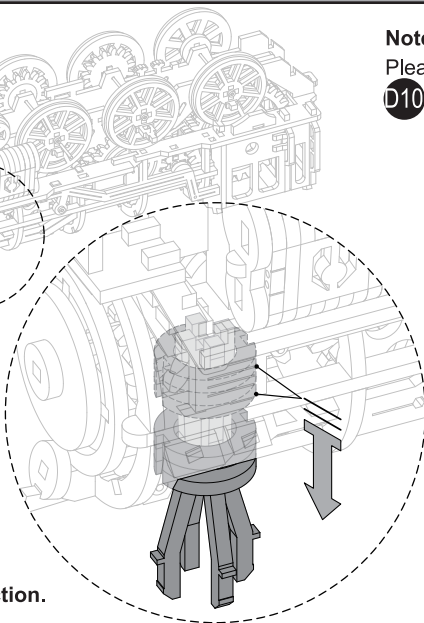
F24

H1

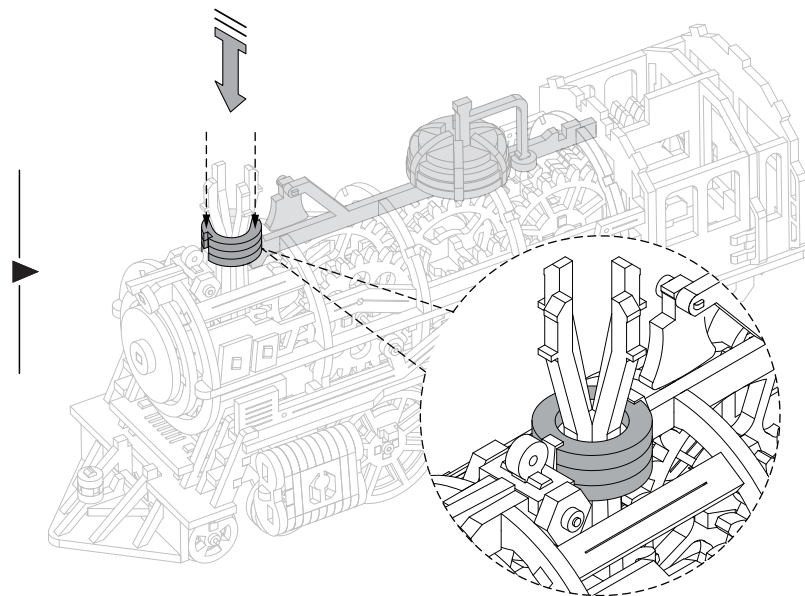
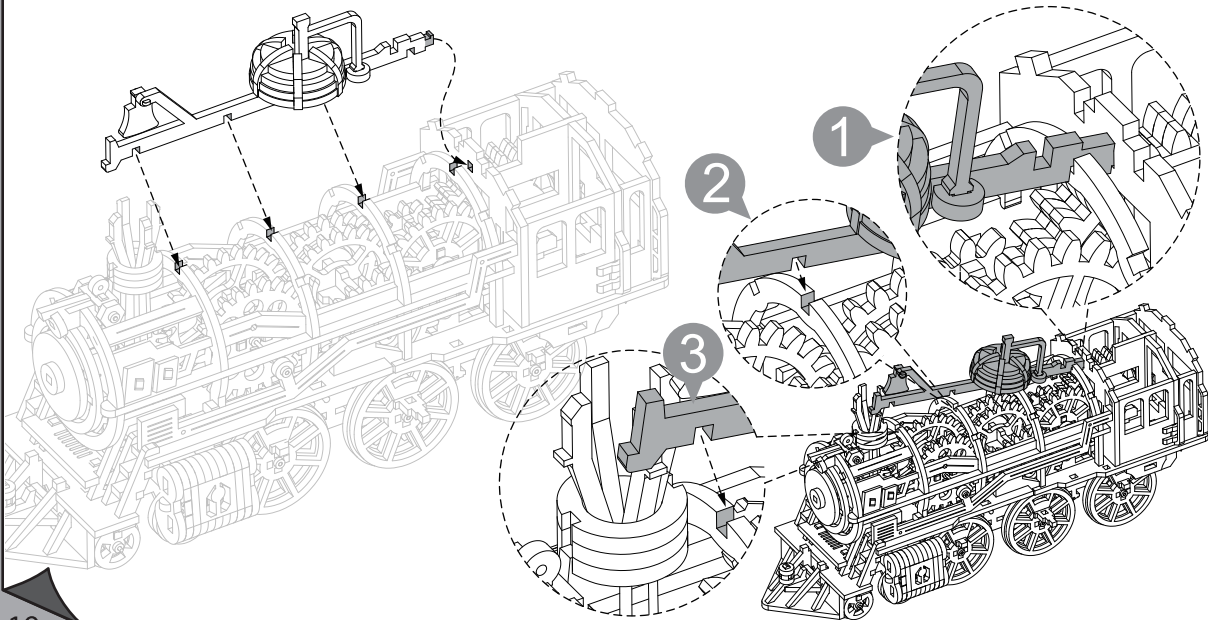
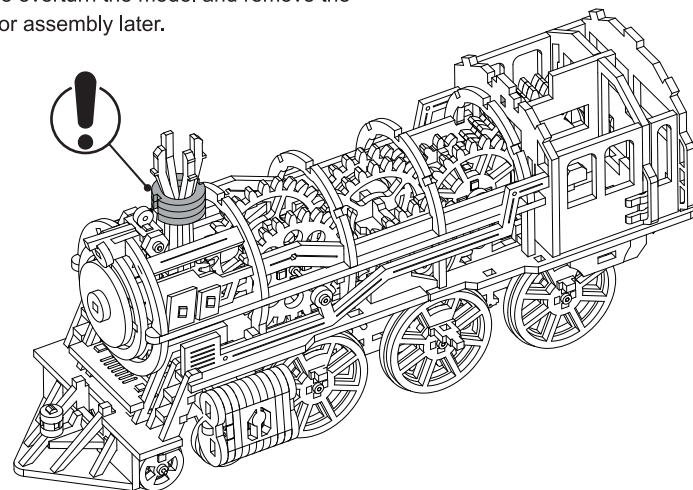




Scan for motion  
assembly instruction.

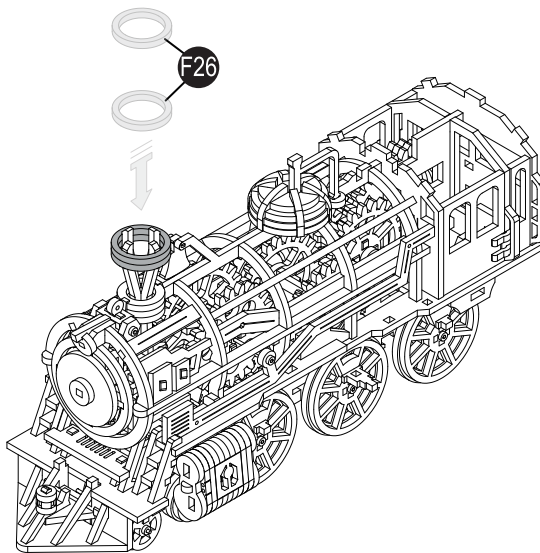
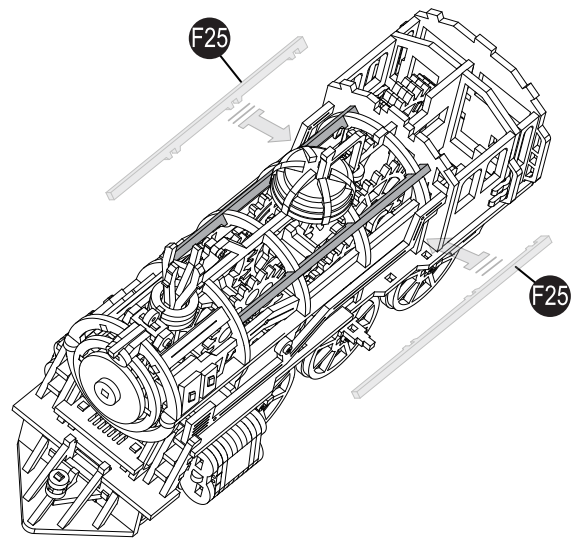


**Note:**  
Please overturn the model and remove the  
D10 for assembly later.



F25x2

F26x2



27

F29

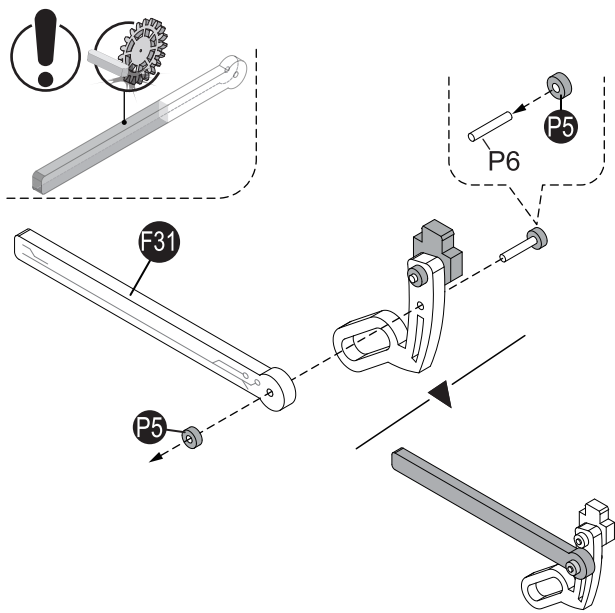
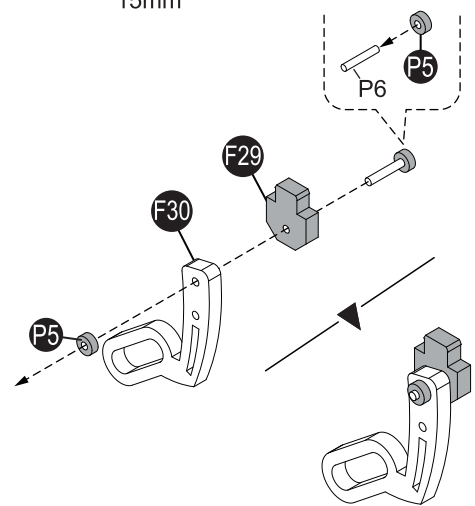
F30

F31

P5x4

P6x2

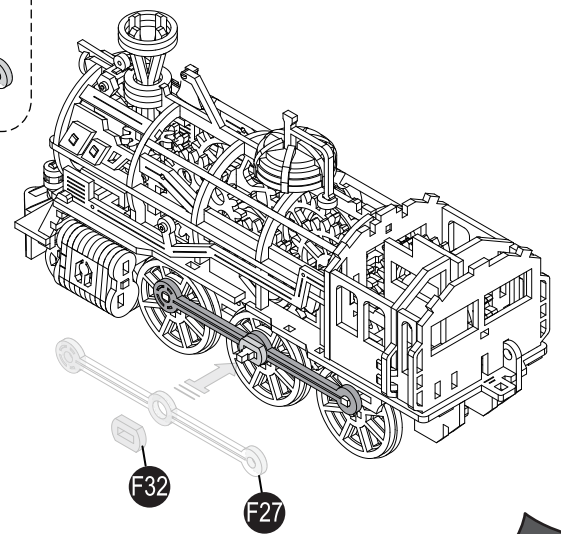
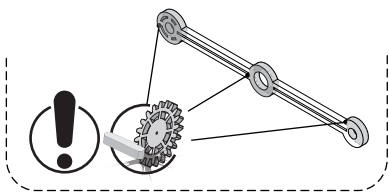
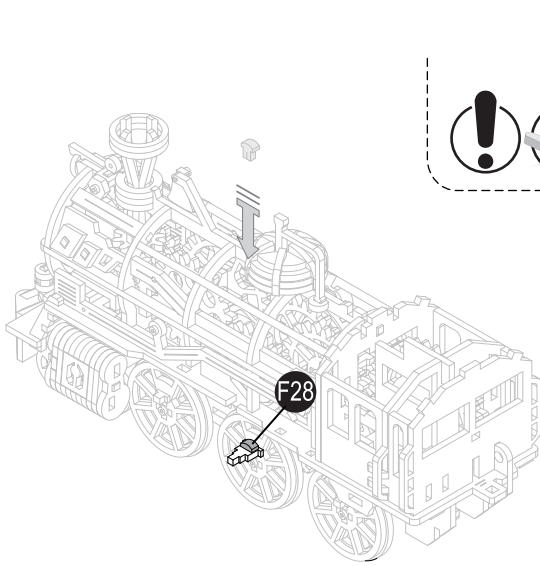
P6 — 15mm — 1:1

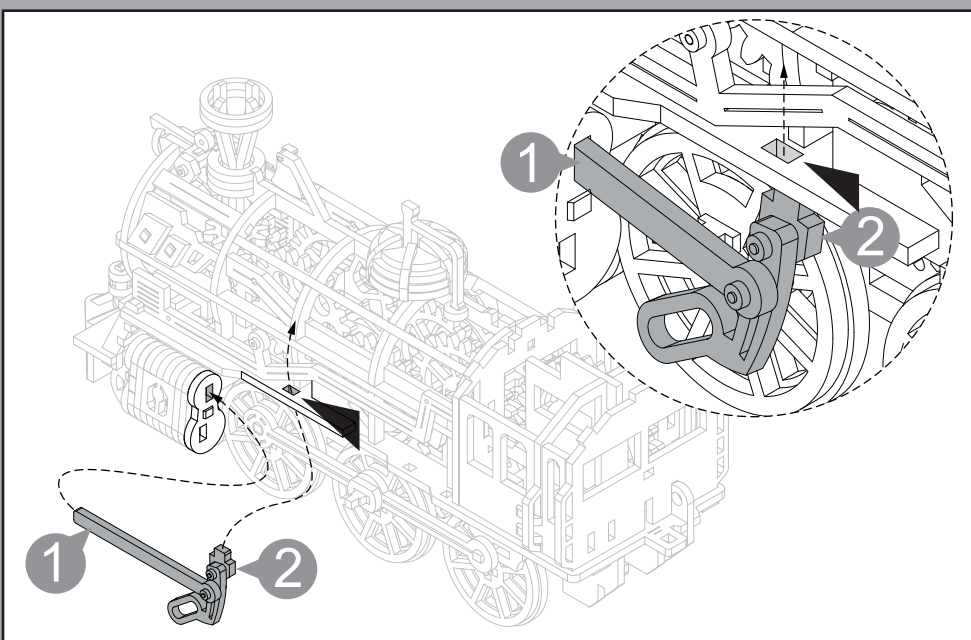


F27

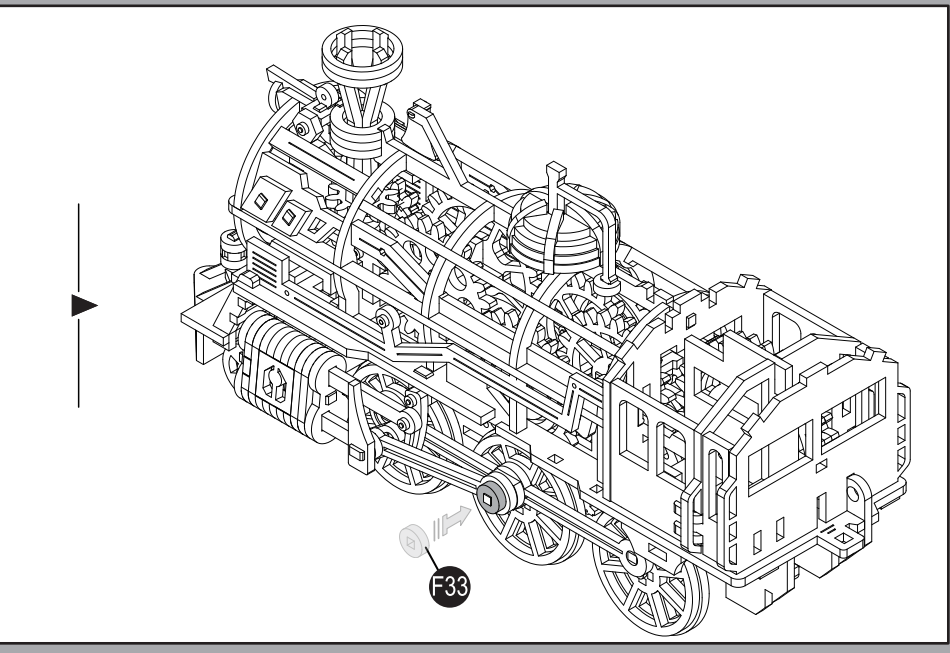
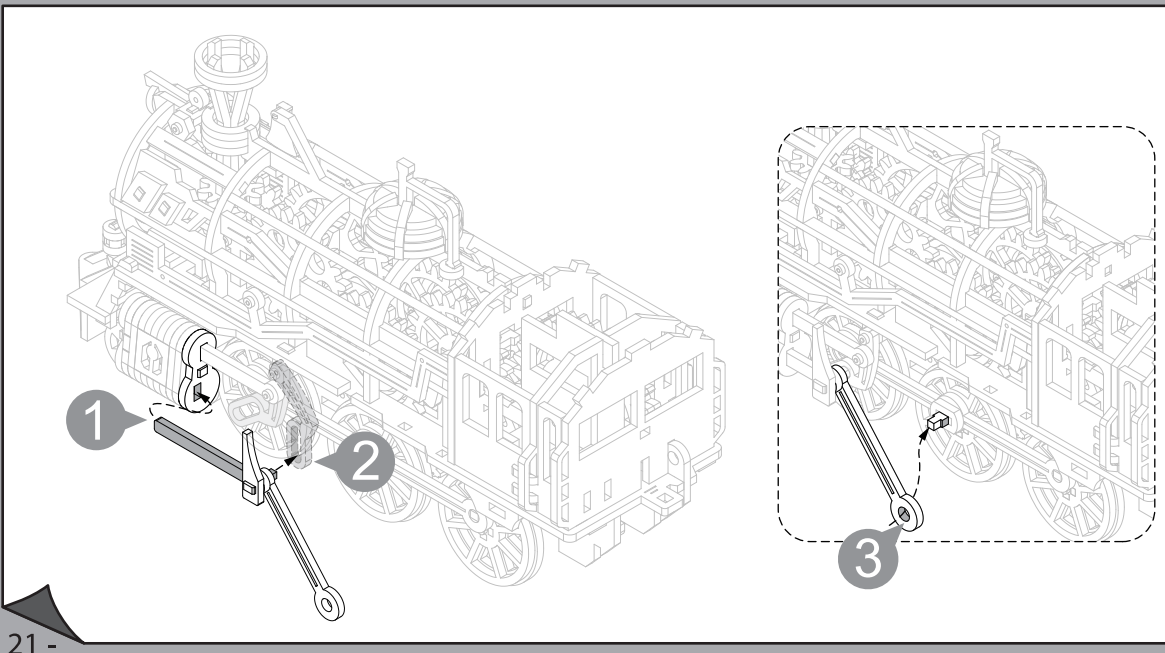
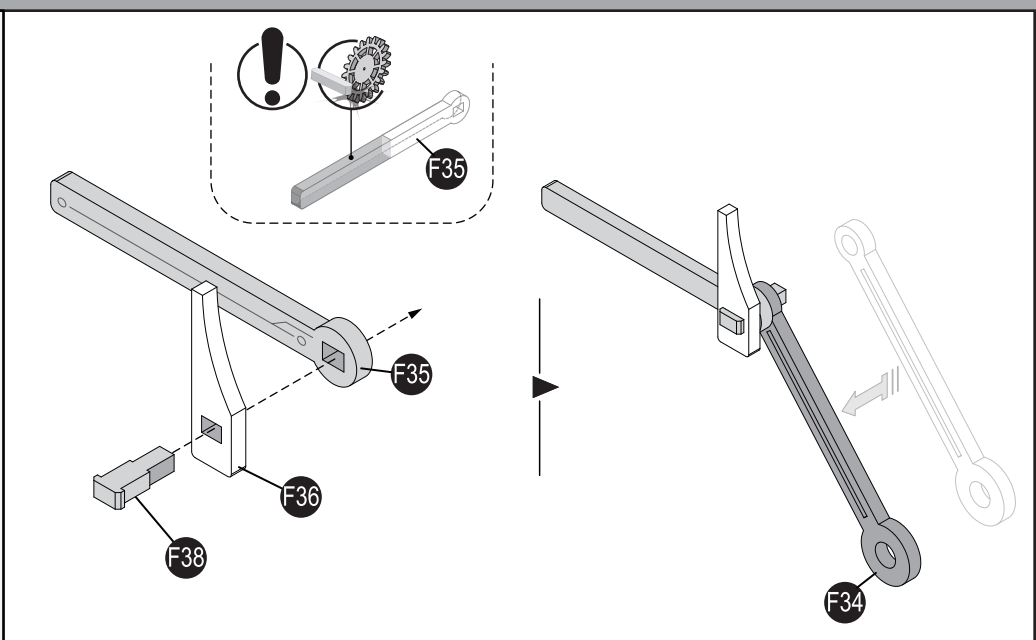
F28

F32





- F33
- F34
- F35
- F36
- F38



**28****27**P6 — **1:1**  
15mm

F29

F30

F31

P5 x4

P6 x2

F27

F28

F32

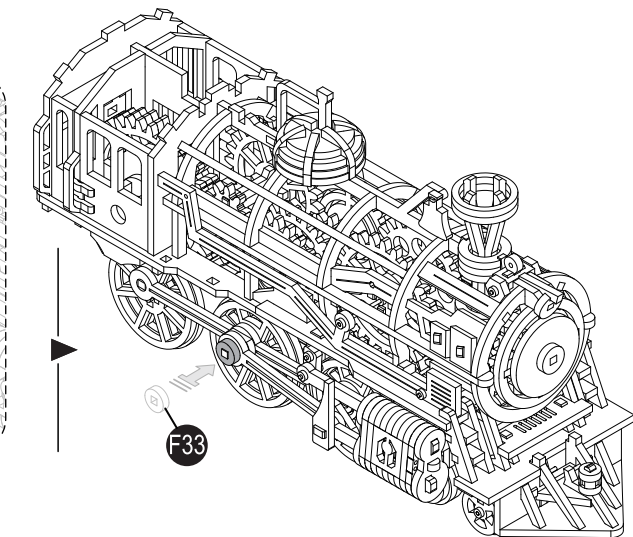
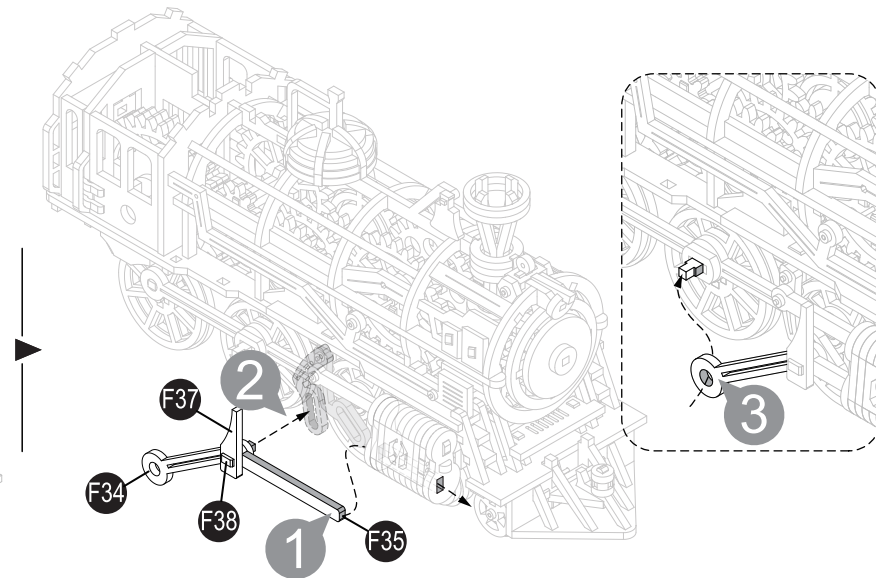
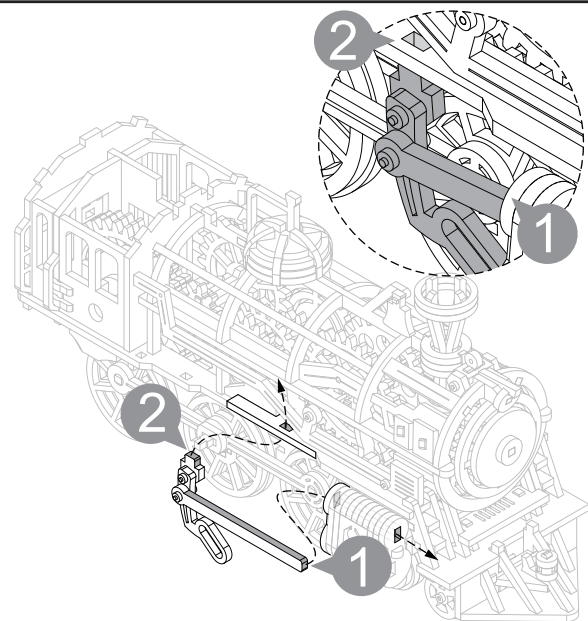
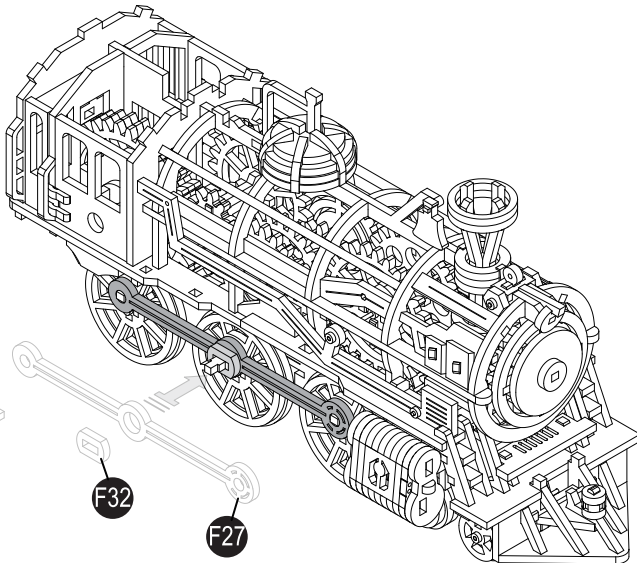
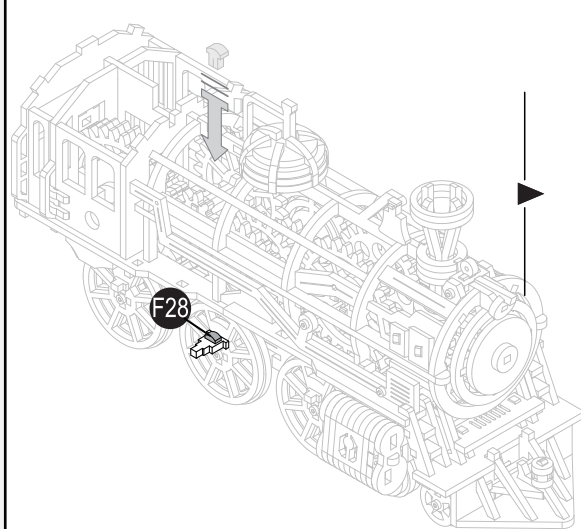
F33

F34

F35

F37

F38



29

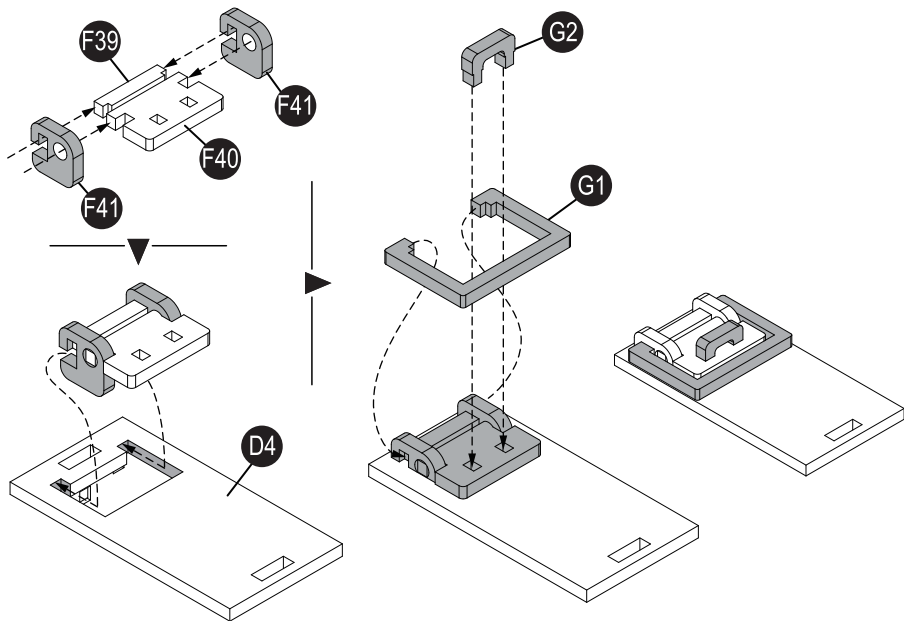
- F39
- F40
- F41 x2

---

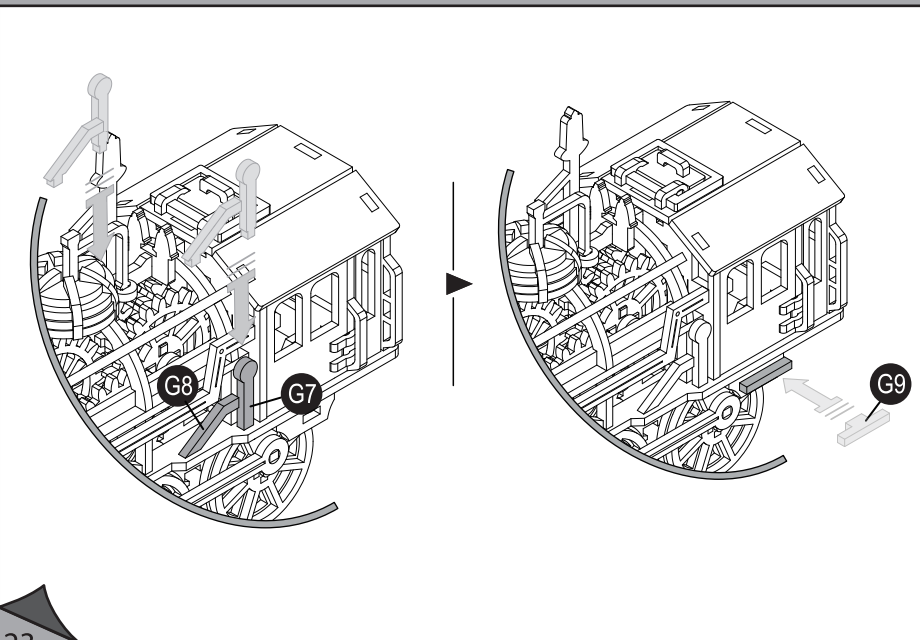
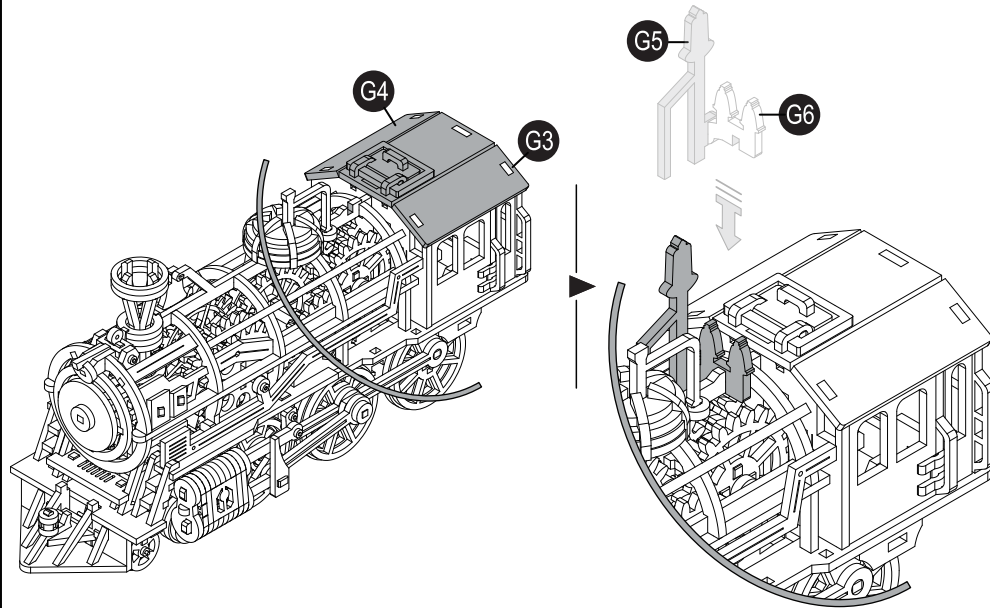
- D4

---

- G1
- G2



- G3
- G4
- G5
- G6
- G7 x2
- G8 x2
- G9

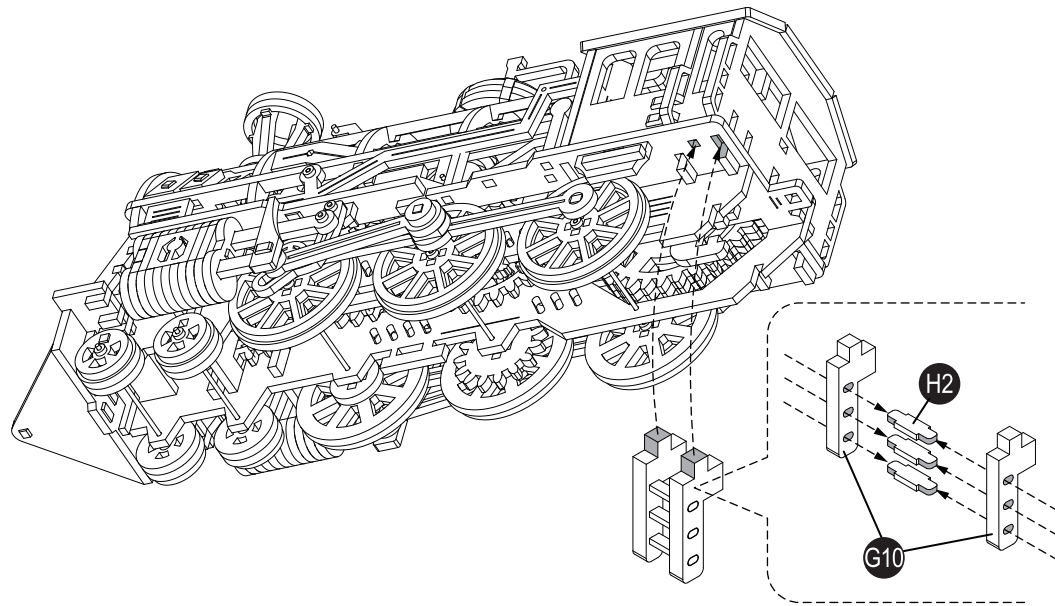


30

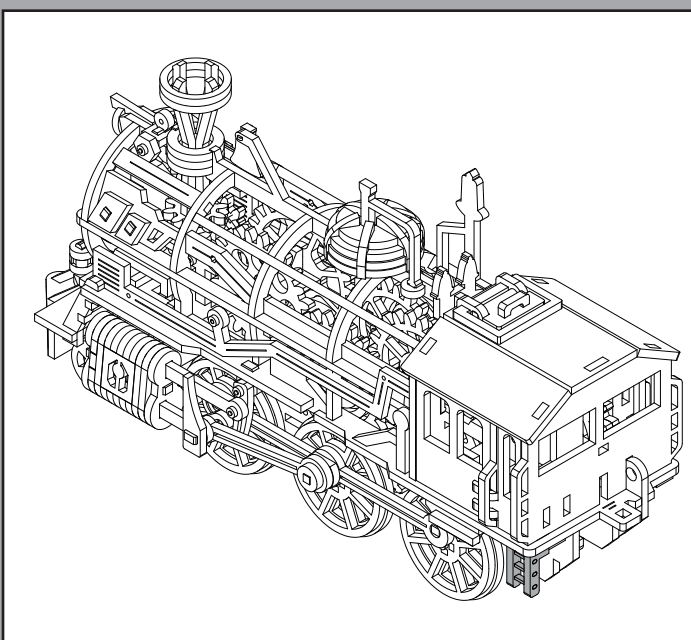
- G10 x2

---

- H2 x3



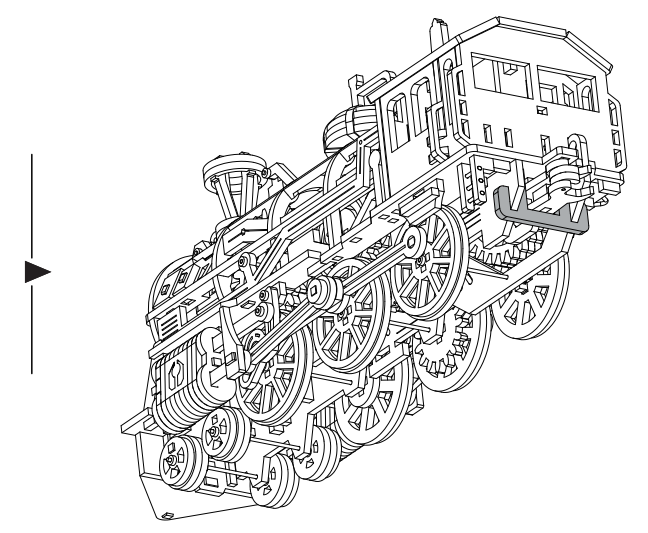
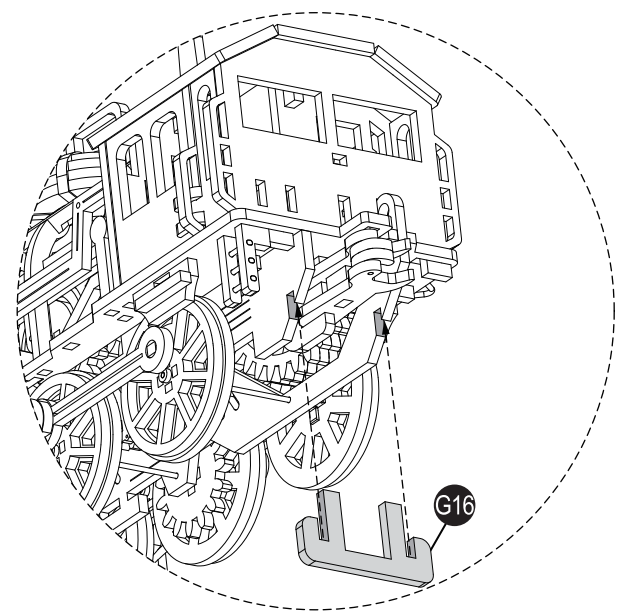
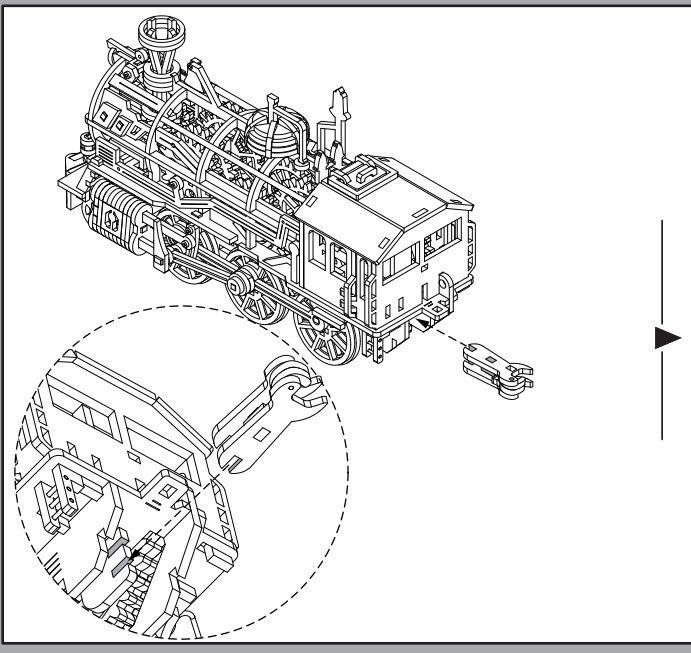
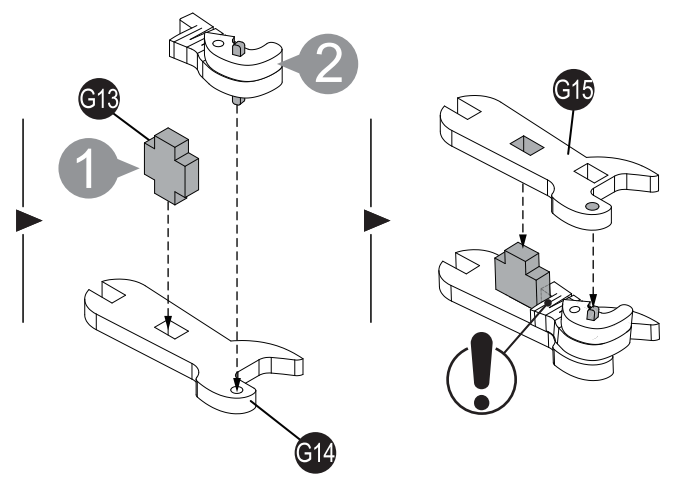
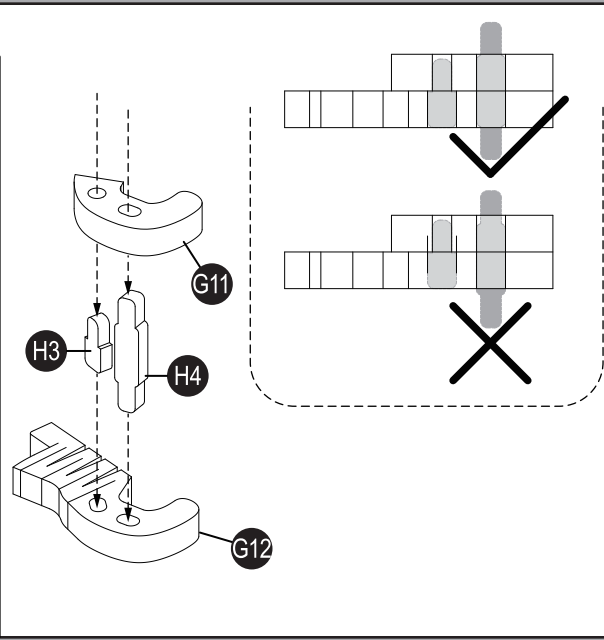




- 31**
- G11
  - G12
  - G13
  - G14
  - G15
  - G16

---

  - H3
  - H4



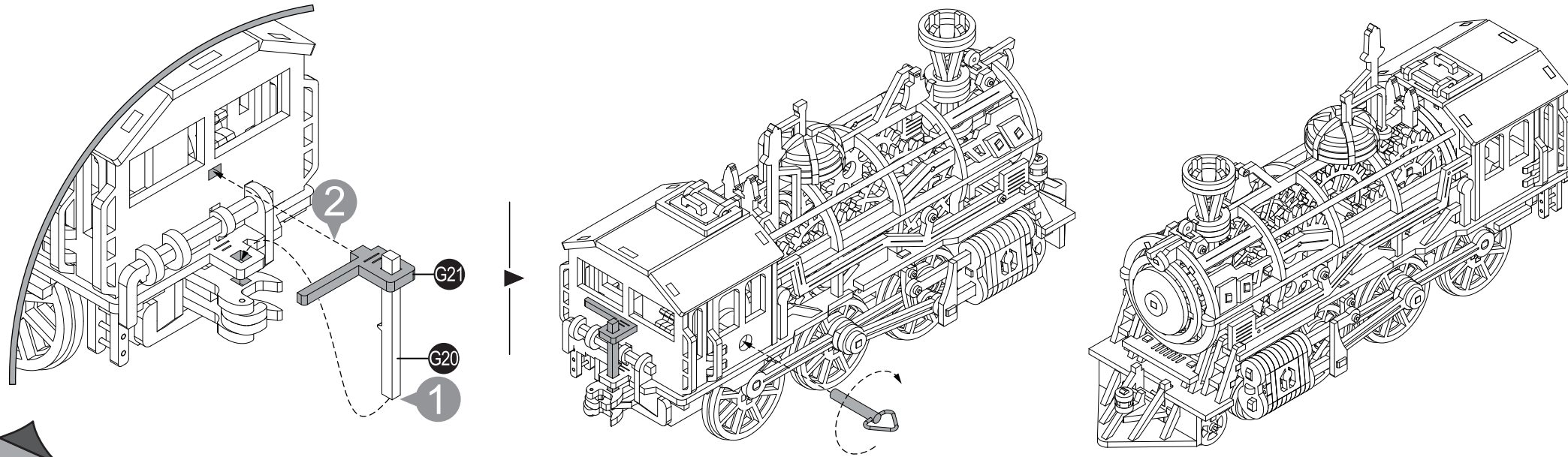
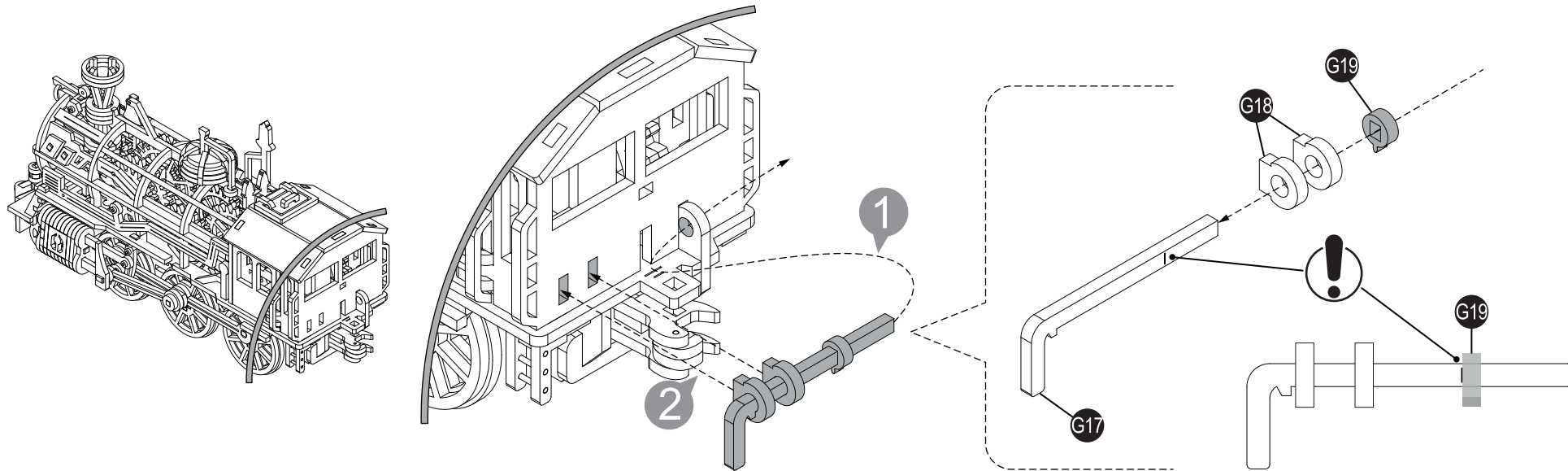
G17

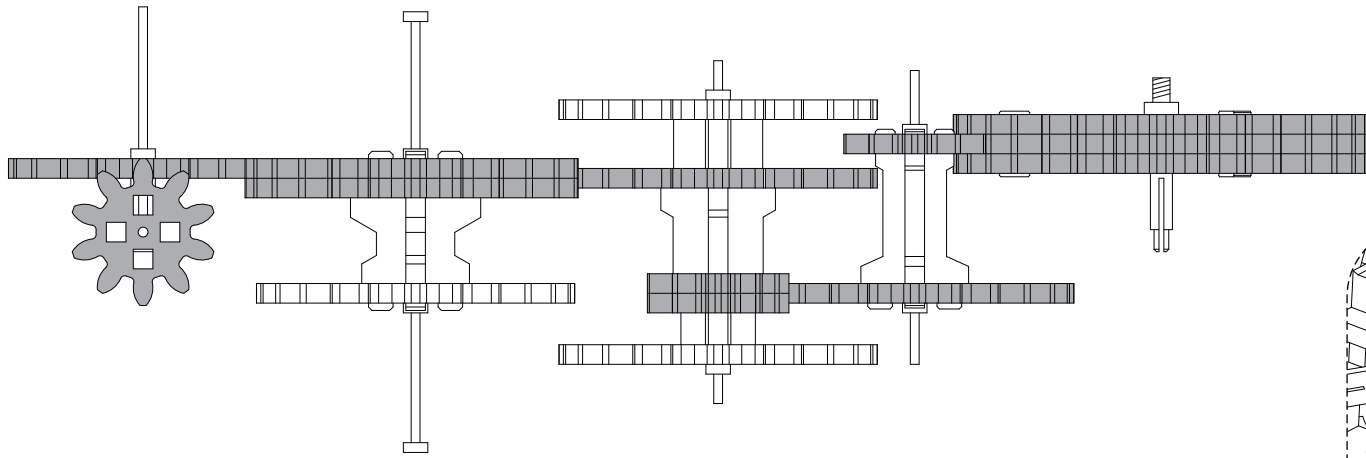
G18x2

G19

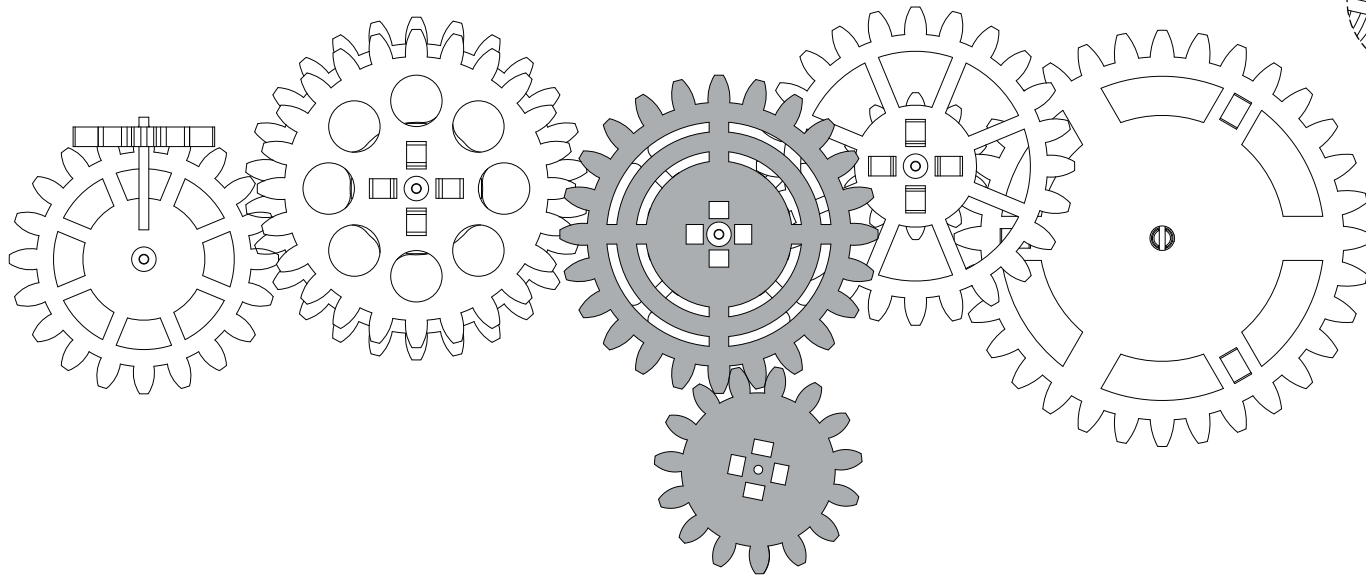
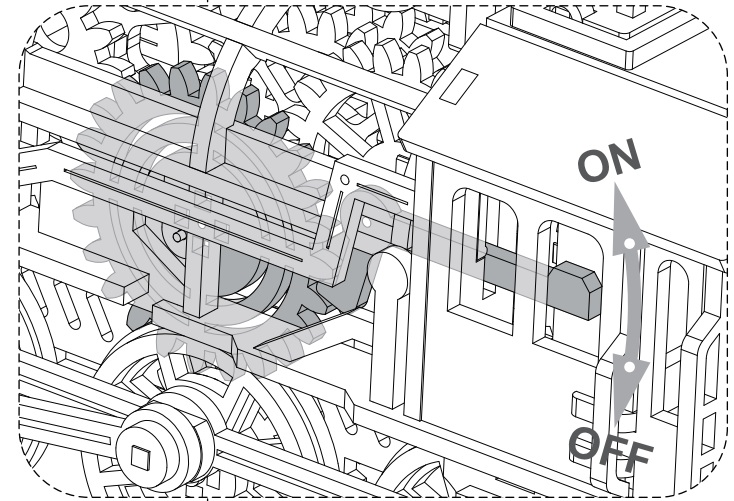
G20

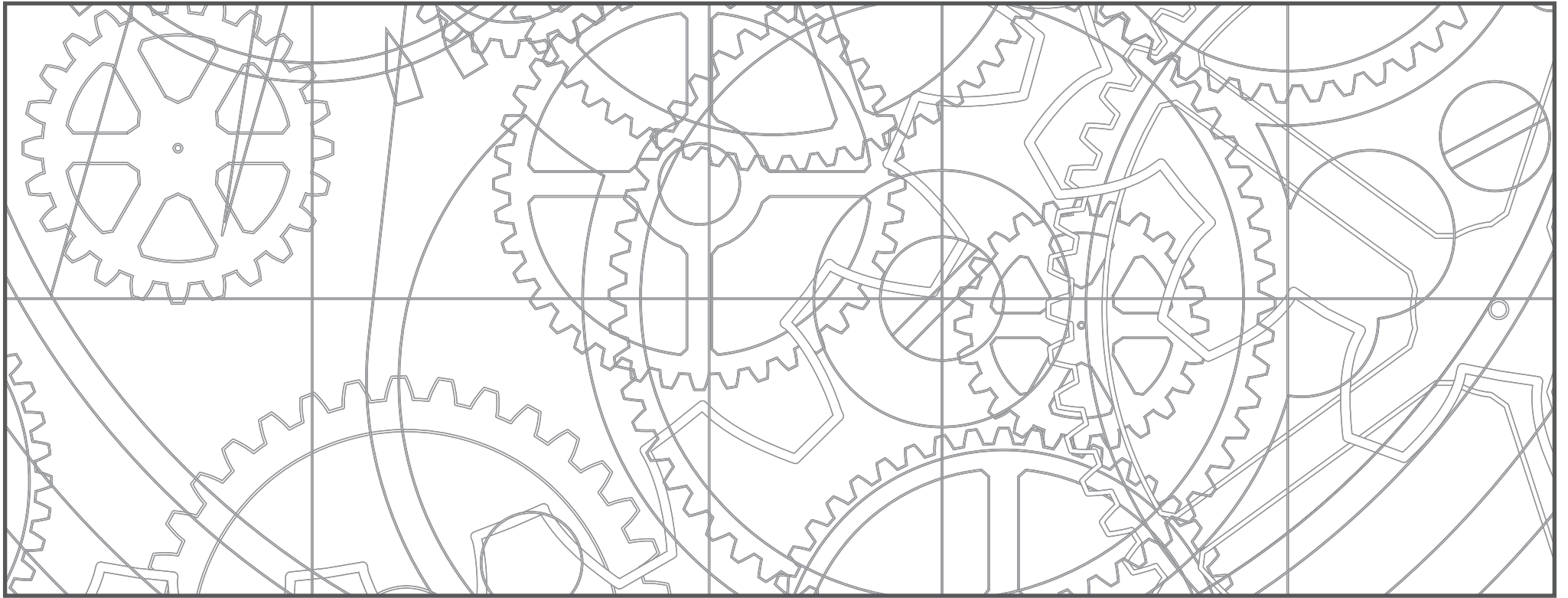
G21





----- Check The Gears -----





Find us on Facebook & Youtube.  
*Visit [www.robotime.com](http://www.robotime.com) for more new designs.*