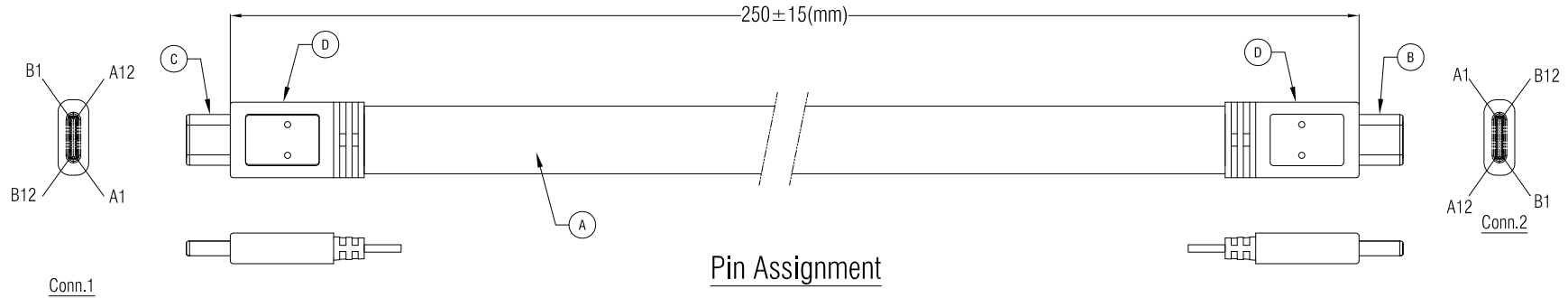
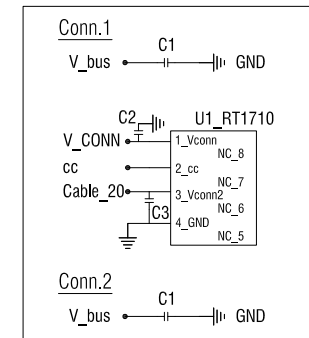


RoHS Compliant



Pin Assignment

PIN DEFINE	Conn.1		CABLE	Conn.2		PIN DEFINE
	JIA	JIB		JIA	JIB	
GND	1		11			GND
SSTX_p1	2		13		11	SSRX_p1
SSTX_n1	3		12		10	SSRX_n1
V_bus	4		1	4		V_bus
cc	5		2	5		cc
D_p1	6		19	6		D_p1
D_n1	7		18	7		D_n1
SBU1	8		4	8		SBU2
V_bus	9			9		V_bus
SSRX_n2	10		7	3		SSTX_n2
SSRX_p2	11		6	2		SSTX_p2
GND	12		17	12		GND
GND	Shell		5	Shell		GND
GND		1	8		1	GND
SSTX_p2		2	9		11	SSRX_p2
SSTX_n2		3	10		10	SSRX_n2
V_bus		4	21		4	V_bus
V_CONN		5	20		5	V_CONN
NC		6			6	NC
NC		7			7	NC
SBU2		8	3		8	SBU1
V_bus		9			9	V_bus
SSRX_n1		10	15		3	SSTX_n1
SSRX_p1		11	16		2	SSTX_p1
GND		12	14		12	GND



NOTE:

1. Support USB3.2 & USB3.1C Gen.2 10G, may apply to alternate mode such as PCIE,DP...etc.
2. While use with U3AM-U3.12 24F adapter cables, may noly single side support Gen.2 10G.
3. VCC Power support(5A)

D		
C		
B		
VER.A	REVISE	DATE

D	1	Z-1692838	BLACK PE(85A)	G	Quantity	Unit		
C			USB3.1 TYPE C MALE(Black Insulation,Nickel plated) +EMARKER				2	PCS
B			USB3.1 TYPE C MALE(Black Insulation,Nickel plated)				1	PCS
A			UL21425 30#*21C CABLE,BLACK PE JACKET.				1	PCS
NUMBER	BOM.NO	PRODUCT SPECIFICATIONS						

Company: CONRAD

Item 1692838

Draw *Kobe* Date: 2018.06.19

Approval

Duty F16 BOM.NO:13593