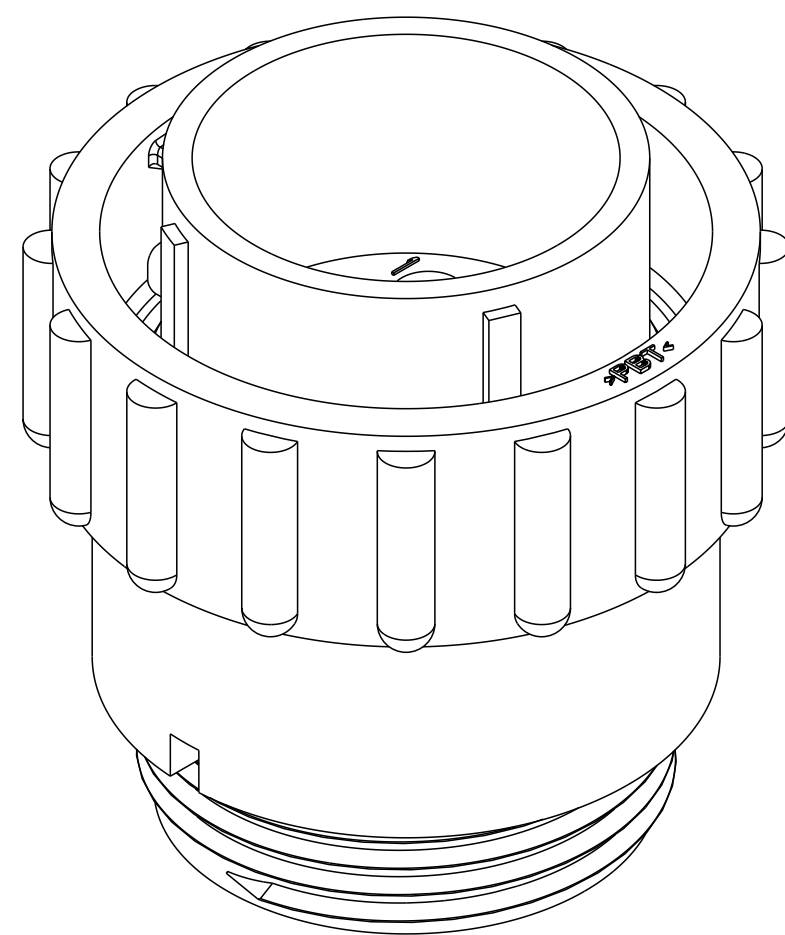
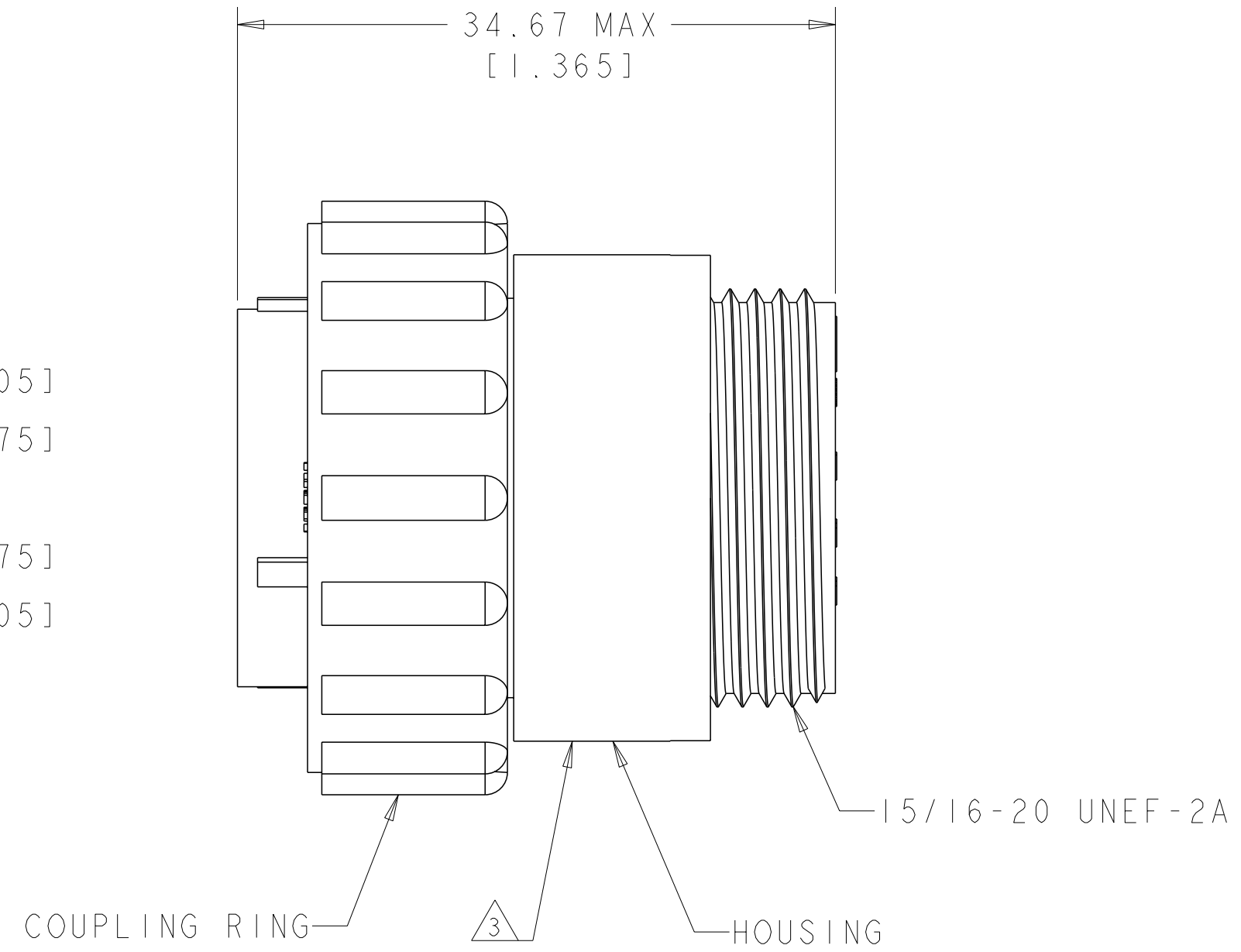
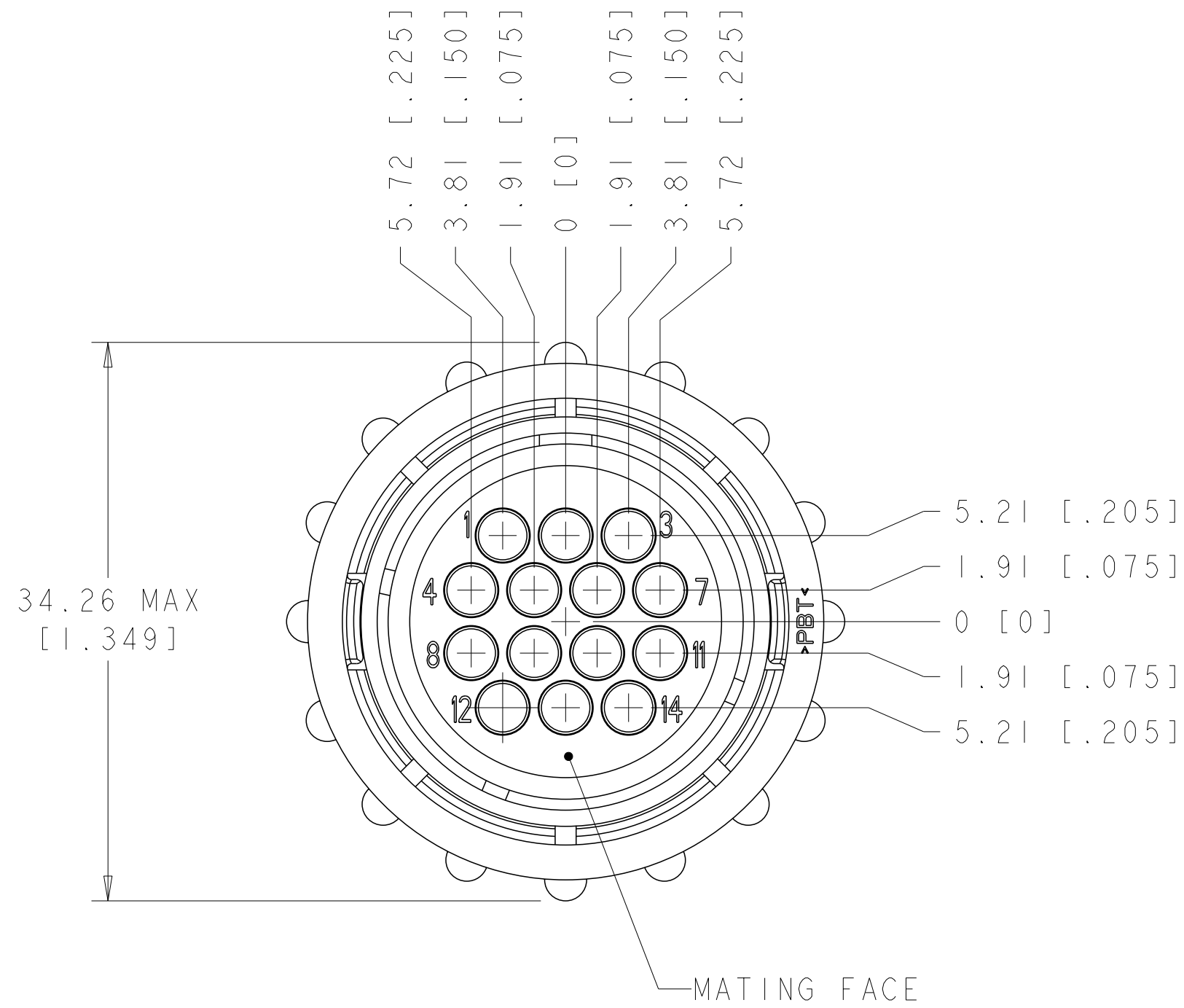


REVISIONS				
P	LTR	DESCRIPTION	DATE	APVD
B		REVISED PER ECO-21-006943	18OCT2021	RK MZ



- 1 HOUSING: NYLON, BLACK
COUPLING RING: POLYESTER, BLACK.
- 2. WILL ACCEPT (14) MULTIMATE PIN CONTACTS.
- 3 TE LOGO AND PART NUMBER LOCATED ANYWHERE ON THIS SURFACE.

796449-1

PART NUMBER

THIS DRAWING IS A CONTROLLED DOCUMENT.		DWN S. WELDON 06APR100		
DIMENSIONS: mm [INCHES]		CHK M. CHACKO 06APR100		
TOLERANCES UNLESS OTHERWISE SPECIFIED:		APVD M. CHACKO 06APR100	NAME PLUG ASSEMBLY, SIZE 17-14, REVERSE SEX, CPC	
0 PLC ± 1 PLC ± 2 PLC ±0.02 3 PLC ± 4 PLC ±		PRODUCT SPEC -	SIZE CAGE CODE DRAWING NO A200779 C-796449	
MATERIAL -		FINISH -	RESTRICTED TO -	
		APPLICATION SPEC -	SCALE 3:1 SHEET 1 OF 1 REV B	
		WEIGHT -	CUSTOMER DRAWING	