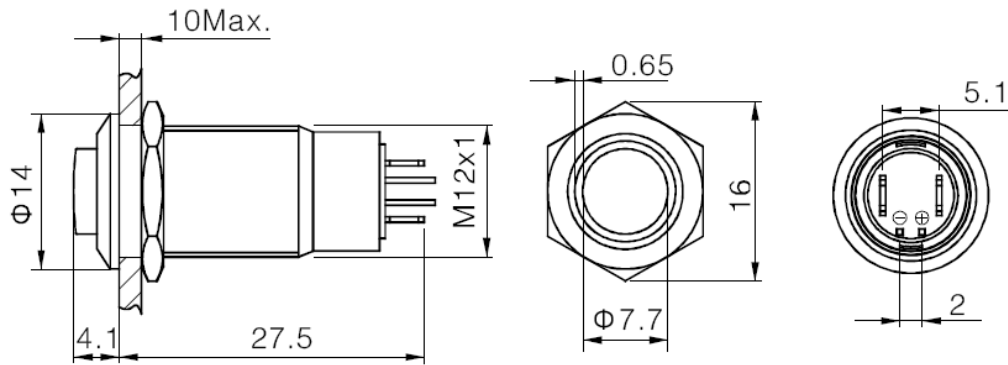


Data Sheet

Push button switch

Version 12/22



10MAX: means the panel thickness, the max thickness for the panel no more than 10mm.

Item no.	LED color	LED voltage
1873668	Red	12 V (with external resistor 820Ω)
1873669	Green	12 V (with external resistor 820Ω)
1873670	Blue	12 V (with external resistor 820Ω)
1873671	White	12 V (with external resistor 820Ω)

Specification

Mounting diameter	12mm
Head shape	High round head
Operation type	Latching
Contact structure	1NO
Switch rating	1A/36VDC
Illumination type	Ring
Terminal	Soldering Pins
Body material	Stainless steel
Operating and storage temperature	-25 to +55 °C
Operating and storage humidity	45 to 85 % RH
Base material	PA66
IP rating	IP40