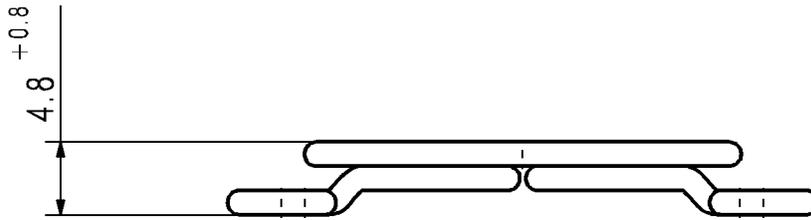
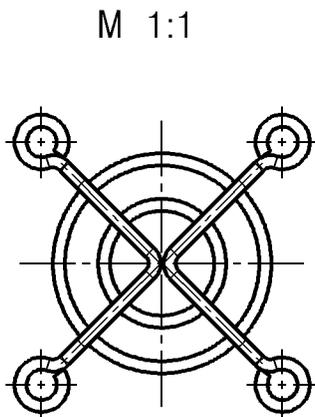


Copying of this document, and giving it others and the use or communication of the contents thereof, are forbidden without express authority. Offenders are liable to the payment of damages. All rights are reserved in the event of the grant of a patent or the registration of a utility model or design.

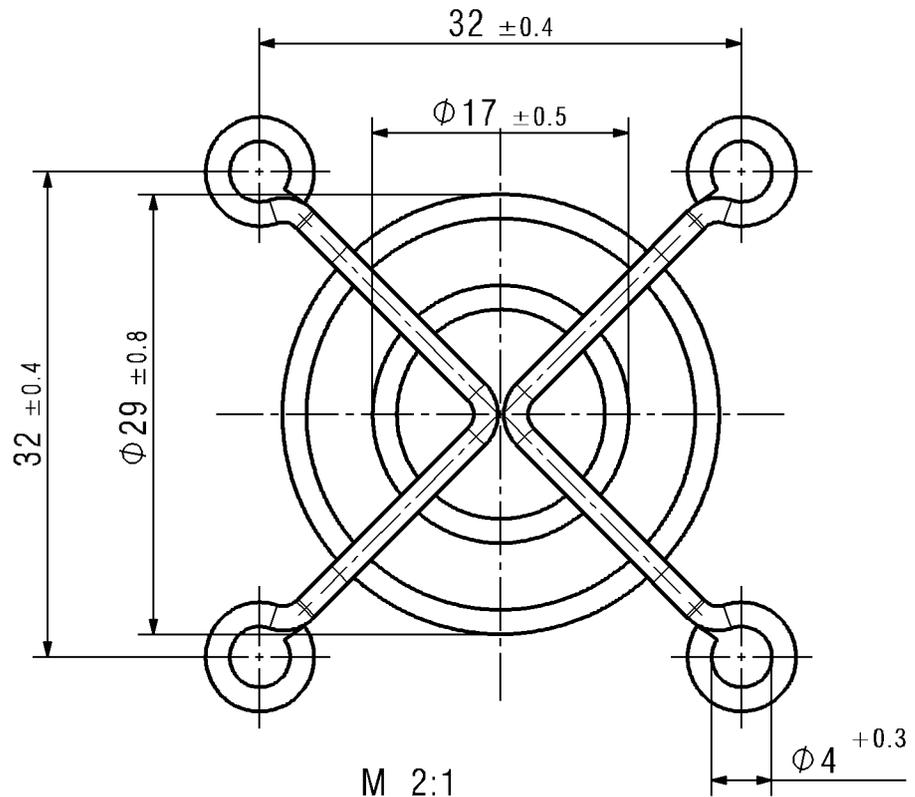
Schutzmerk nach DIN ISO 16016 beachten!
Refer to protection notice DIN ISO 16016!



M 2:1

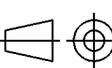


M 1:1



M 2:1

Alle Drähte miteinander widerstandsgeschweißt
all wires resistance welded

FR		V5R24	PAPST	Werkstoff / Material: Stahldraht D 1,6 mm vernickelt und verchromt		Volumen / Volume (mm ³): 562,337													
Dokument-Status / Document-State		CATIA-Version/ CATIA-Version	CAD-Umgebung/ CAD-Environment			Gewicht / Mass (g):													
		131310		9920029001 CPA000 -		Titel / Title:													
Aend.-Nr. / Change-No.		3D-Referenzmodell / 3D-Referencemodel		Schutzgitter LZ 29-1 Guard LZ 29-1		Zchg.-Nr. / Drawing No:													
Tolerierung / Tolerances: Size ISO 14405 Ⓒ		<table border="1"> <thead> <tr> <th></th> <th>Datum</th> <th>Name</th> </tr> </thead> <tbody> <tr> <td>Bearb. / Drawn</td> <td>18.03.2019</td> <td>GUHL</td> </tr> <tr> <td>Gepr. / Checked</td> <td>19.03.2019</td> <td>GUHL</td> </tr> <tr> <td>Freig. / Releas.</td> <td>19.03.2019</td> <td>MOSERF</td> </tr> </tbody> </table>			Datum	Name	Bearb. / Drawn	18.03.2019	GUHL	Gepr. / Checked	19.03.2019	GUHL	Freig. / Releas.	19.03.2019	MOSERF	9920029001		Ers.f.Zchg. / Replaces:	
	Datum	Name																	
Bearb. / Drawn	18.03.2019	GUHL																	
Gepr. / Checked	19.03.2019	GUHL																	
Freig. / Releas.	19.03.2019	MOSERF																	
Allgemeintoleranzen / Gen. Tolerances: DIN ISO 2768-mK				Dokumenttyp / Type of Document	Teildokument (Blatt/Page)	Index / Index	Format / Size:												
		ebm-papst St.Georgen GmbH & Co KG		C2D	001	B	A4												
							Masstab/Scale 2:1 1:1												