

# Data Sheet

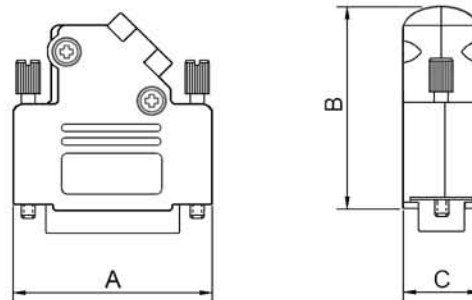
## TECHNICAL SPECIFICATIONS

### D-Sub Hood:

Material: UL 94 V-0 Plastic Material  
 Operating Temperature: -55°C to +110°C  
 Cable Entry: Side  
 Thumbscrews: UNC 4-40 (Standard)  
 Cable O.D: Up to 11,5mm  
 Colour: Black

### Male Sub-D Connector:

Insulator: PBT, Black, UL94 V-0  
 Shell: Steel, Tin Plated  
 Contact pins: Copper Alloy  
 Stamped & Formed Pins: Class 3, 100 inserts min.  
 Machined Contact Pins: Class 1, 500 inserts min.  
 Contact Plating: Selective Gold over Nickel  
 Operating Temperature: -55°C to +105°C  
 Withstanding voltage: 1000V for 1 minute  
 Insulator resistance: 1000MΩ min.



Size D45PK-P	Dim A	Dim B	Dim C
9-way	31,0	36,3	15,0
15-way	39,5	40,3	15,0
25-way	53,2	40,3	15,0
37-way	69,7	40,3	15,0